

長軸深井泵

LONG SHAFT DEEP WELL PUMP



联系我们

| WWW.U-FLO.CN

营销中心 Marketing Center

ADD: 南京市江宁区清水亭西路51号-南京俊杰科创大厦9楼(211102)

Floor No.9, Nanjing Junjie Kechuang Building, No.51 Qingshui Ting West Road, Jiangning District, Nanjing (211102).

TEL: (86) 25-52231105 / 52230907 / 52230921 / 84846376 FAX: (86) 25-52230912

生产中心 Production Center

ADD: 南京市溧水经济开发区南区罗马工业园18号 (211200)

18# Rome Industry Park, Southern District, Lishui Economic Development Zone, Nanjing

TEL: (86) 25-56610801 / 56610802 / 56610803 / 56610805 / 56610815 FAX: (86) 25-56610806

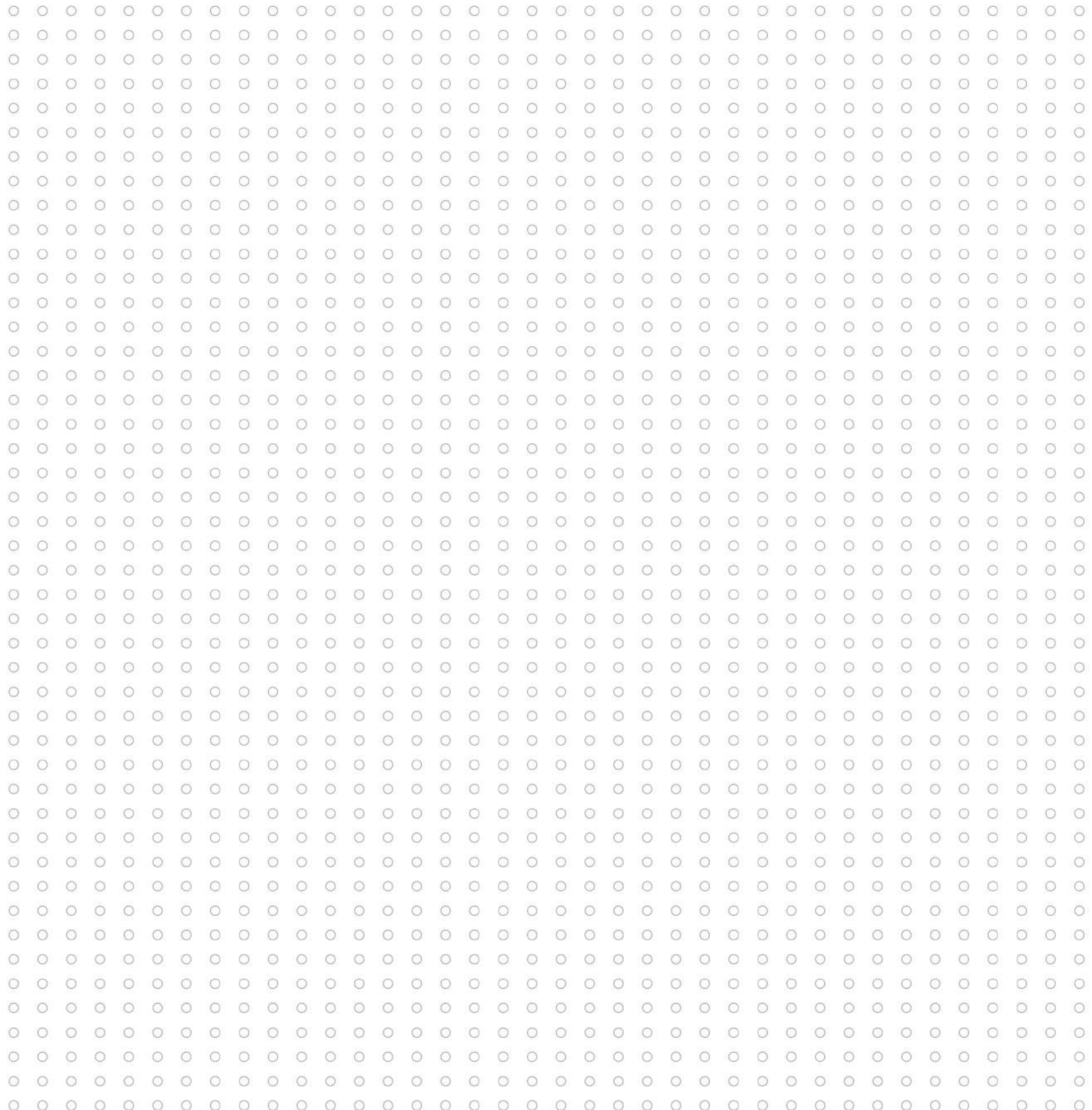
销售服务热线: 400-100-8486 售后服务热线: 400-108-8170

南京方卓品牌设计 | www.njzad.com

PVT SERIES
LONG SHAFT
DEEP WELL
PUMP



Contents 目录



03/04 COMPANY PROFILE 公司介绍

U.S. U-flo

美国尤孚

U-flo in China

尤孚中国

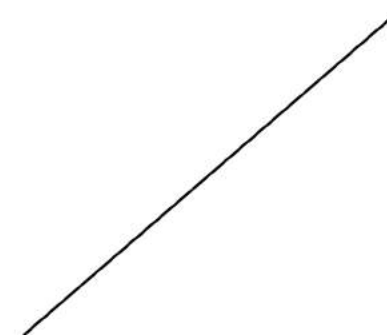
05/36 PRODUCTS 产品介绍

PVT SERIES

长轴深井泵 PVT系列

INSTALLATION SIZE

安装尺寸





U-FLO U.S. 美国尤孚

U-flo Pumps International LLC is a global water pump manufacturing and marketing company registered in Washington, USA. Our cooperated manufacturing facilities are located in Italy, Taiwan and China. Our primary products include Deep-well Pumps, Above-ground Pumps, Sewage Pumps, Pumping Systems. They are widely used in power plants, paper mills, steel plants, agriculture irrigations, construction trades, industrial applications, mining operations, municipal utilities as well as oil/gas fields.

Integrity, Innovation, International

Since the first U-FLO water pump was manufactured, our people have been making unremitting endeavor to improve designs of the U-FLO water pump products. We apply the best industry practices and the best suitable materials for key components to the design and manufacturing of our pumps.

In addition to our state of art manufacturing facilities, we put a big effort on pump testing. Every product undergoes a rigorous testing and inspection process before being shipped to our customers. Our test facility incorporates a 12000 cubic meter (52,834 gallon) closed loop system with testing capacity of up to 600m³/h (2640GPM) with the maximum head of 200m (656ft), and 250 horsepower (dual voltages of 50Hz and 60Hz). Following a strict quality management system, all of our facilities are ISO 9001 and ISO 4001 certified.

Water is a vital part of our natural resources. While we always pursue the excellence of our products and services, we also take every step to promote environment-friendly and energy-saving solutions.

As a global pump manufacturer and supplier, U-FLO is committed to producing the finest water pumps in the world and continues to lead the way forward in the pumping industry.



Advanced international fluid equipment supplier!

国际先进流体设备供应商!

U-flo泵业国际有限公司是一家注册于美国华盛顿州的全球化水泵制造销售公司。我们在意大利、台湾和中国大陆均有合作制造工厂。我们主要产品包括深井泵、地面泵、污水泵和供水设备。产品广泛应用于电厂、造纸厂、钢厂、农业灌溉、建筑、工业应用、矿山、市政以及油田领域。

诚信、创新、国际化

自第一台U-flo水泵出厂以来，我们一直不懈努力，致力于改进U-flo水泵的设计。我们以最高的行业要求和最佳材料设计和制造水泵。

在严抓工艺水平的同时，我们还致力于水泵的测试。每一台水泵在出厂前均需要经过严格的测试和检验。我们的测试台含12000立方米(52,834加仑)闭式循环系统，最大测试流量达600m³/h(2640GPM),最高扬程为200m(656ft), 250马力(双电压50Hz、60Hz)。按照严格的质量管理体系，我们所有的工厂均通过ISO9001和ISO14001认证。

水是自然资源的重要组成部分，我们在追求卓越的产品和服务的同时，亦在努力推广环保和节能解决方案。

作为全球水泵制造商和供应商，U-flo致力于生产全球最好的水泵，成为水泵行业的领跑者。



U-FLO IN CHINA 尤孚在中国

Nanjing U-flo Pumps Co., Ltd, the fifth manufacturing facility of U-flo Pumps International LLC worldwide, is a water pump and water system product manufacturing company. Our facility is located in Lishui economic development zone, Nanjing. The first phase project occupies 20,000 square meters. Based on abundant resources of U-flo International, our facility introduces advanced technology from U-flo companies in Italy, Japan, India and Taiwan. In China, we focus on manufacturing deep-well submersible pump, stainless steel submersible pump, long shaft deep-well pump, surface pump and sewage pump. Meanwhile, research and develop high-tech water supply equipment according to domestic market demand. They are widely used in industrial, commercial, municipal, construction, fire fighting, fountain and hot spring applications.

Integrity, the foundation of enterprise survival. Our facility passed ISO9001, ISO14001 certificate, implement ERP information management, technology data electronic analysis and stock electronic management, has got national industrial production license, the qualification as an I/E enterprise. Lots of approvals and awarded with the social honors such as: Jiangsu Quality Reliable Enterprise, Jiangsu High-tech SME, Nanjing Private Science & Technology Enterprise, CCMSA members and Designated Production Enterprise of Stainless Steel Fountain Pump.

Innovation, the foundation of enterprise development. Our facility invested 8 million Yuan for R&D building construction, machining and testing equipment procurement. Cooperated with Jiangsu University, we developed advanced pump testing filed. We also established long term cooperating relationship with Hohai University in order to strengthen technical team construction and high quality talents training. At present, our independently developed Smart Mute Pipe Network Additive-pressure Water Supply Equipment has certified as Jiangsu High Tech Product. We also owned many patents and striving to build postdoctoral research station and engineering technology research center.

International, the foundation of expansion. We focus on establish globally procurement system, introduce advanced technology and bring excellent products to China market. With the steady development of U-flo Pumps, our products are greatly recognized by customers and adopted in lots of domestic and foreign projects: Saudi Arabia MADUN project (the biggest phosphorization project worldwide), North Korea copper mine project, Shanghai Expo, Shenzhen Universiade, Shenzhen Happy Valley, Xiang'an Tunnel, Pankou Xiaoxuan Hydroelectric Power Station, Huaneng Power Plant, Datang Power Group, Xuzhou Mine Group, Yankuang Mine Group, CNOOC, CNPC, Sinopec etc.

For the future, U-flo Pumps focus on develop more energy-saving, environmental friendly and cost effective water pump and water system products, devote to growing into a professional, comprehensive and advanced fluid equipment supplier.

南京尤孚泵业有限公司，是一家专业制造高品质水泵及水系统产品的科技企业，是尤孚泵业国际有限公司合作建设的全球第五家工厂。公司地处南京溧水经济开发区，一期工程占地两万平米。依托尤孚国际泵业的有力资源，公司有效引进尤孚意大利、日本、印度、台湾工厂的先进制造技术，在中国实现深井潜水泵、大流量高扬程不锈钢潜水泵、长轴深井泵、地面泵和污水泵的组装和制造。同时，根据国内市场需求，研发并生产高科技供水成套设备。产品广泛用于工业、商业、市政、建筑、消防、喷泉和温泉等行业。

诚信，企业生存之本。公司通过了ISO9001质量体系、ISO14001环境体系认证，已实现ERP信息化办公管理，产品技术数据电子化分析，产品库存电子化。先后获得了全国工业产品生产许可证，卫生许可批件，进出口企业资格等生产经营资质，并获得了“江苏质量诚信3A级品牌企业”、“江苏省科技型中小企业”、“南京市民营科技企业”等荣誉称号，后经中国建筑金属结构协会批准，成为“给水热水专业委员会会员单位”，“喷泉水泵委员会会员单位”，“不锈钢喷泉用潜水电泵定点生产企业”。

创新，企业发展之本。自投产以来，公司先后投入800万元新建研发大楼，购进各类机加工、测试设备，与江苏大学合作，研制开发了国内领先的水泵测试台，与河海大学建立产学研合作联盟，重点打造精良的科技队伍，加强科技人才引进和培养，形成以自主知识产权为核心的科技体系，实现科技成果转化产业化。目前，公司自主研发的智能静音管网叠压供水设备获“江苏省高新技术产品”认定证书，拥有多项发明专利，并将重点打造博士后流动站，工程技术研究平台。

国际化，企业强大之本。公司致力于建立全球化采购体系，引进国际先进技术，将最优质的产品投放中国市场。随着尤孚发展，尤孚产品得到了用户的广泛认可。目前，尤孚产品遍布：沙特MADUN项目（全世界最大磷化项目）、中矿国际公司朝鲜铜矿项目、上海世博会、深圳大运会、深圳欢乐谷、翔安隧道、潘口小水电站、华能电厂、大唐电力集团、徐矿、兖矿、中海油、中石油、中石化等国内外项目。

面向未来，尤孚泵业专注于研发更加节能、环保、性价比更高的水泵及水系统产品，致力于成长为专业化、国际化的流体设备供应商。

U-FLO – RELIABLE BRAND!

U-flo—可信赖的品牌!



Design & production 设计和制造

Design and production are all made internally at U-flo's facilities, with a quality and process systems in accordance to the ISO9001 standards; as a further results of its environmental orientation, U-flo, in the 2011, got the ambitious ISO14001 Certificate proving that its production processes comply with the very strict rules imposed by the ISO14001 Certificate.

U-flo自主设计和制造，质量及生产系统符合ISO9001标准。更因为U-flo准确的环境定位，2011年获得ISO14001认证，充分证明生产过程符合ISO14001标准。

Product application scope 产品应用范围

The long shaft Deep well pumps is increasingly applied in the following areas,such as conventionally industrial liquid boosting and decantation,irrigation, urban water supply,oil fields mining,power plants,steelmills,hydroelectric station, oil & gas,fire fighting equipment,etc.

长轴深井泵在下列应用领域中越来越多地使用，如常规的工业液体提升和移注、灌溉、城市供水、油田、矿山、电厂、钢厂、水电站、石化、消防设备等。

U-FLO reserves the right to make modifications without notice.

U-FLO 有权对产品进行修改，恕不另行通知。



LONG SHAFT DEEP WELL PUMP series PVT

LONG SHAFT DEEP WELL PUMP

PVT SERIES / 长轴深井泵 PVT系列

Long shaft deep well pump
PVT SERIES



PVT

I、Introduction

The long shaft Deep well pumps is increasingly applied in the following areas, such as conventionally industrial liquid boosting and decantation, irrigation, urban water supply, oil fields mining, power plants, steelmills, hydroelectric station, oil & gas, fire fighting equipment, etc.

“U-FLO” long shaft Deep well pump has been created for years. The accumulation of experience, the concentration on R&D, outstanding quality and advanced manufacturing technology guarantee our strict production demands.

长轴深井泵在下列应用领域中越来越多地使用，如常规的工业液体提升和移注、灌溉、城市供水、油田、矿山、电厂、钢厂、水电站、石化、消防设备等。

“U-FLO”长轴深井泵至今已有多年历史，不断积累的经验、在研发上的倾注、优异的质量和最先进的制造技术，无疑是满足生产要求的重要保障。

II、TECHNICAL SPECIFICATION 技术参数

Capacity	流量	≤2500m ³ /h
Head	扬程	≤350m
Motor power	功率	5.5-710kw
Rated Voltage	额定电压	380v.6kv.10kv
Well diameter	井径	100-750mm
Max. Discharge	最大排出口径	450mm

III、MODEL DESCRIPTION 型号说明

PVT 450-30x2	Lineshaft Deep Well Pump	U-flo长轴深井泵
450	Rated Capacity	额定流量(m ³ /h)
30	Head Per Stage	单级扬程(m)
2	No.of Stage	级数

PVT

PVT10

PVT20

PVT30

PVT40

PVT50

PVT60

PVT80

PVT90

PVT125

PVT130

PVT160

PVT185

PVT220

PVT300

PVT370

PVT400

PVT450

PVT550

PVT650

PVT900

PVT1000

PVT1250

PVT2000

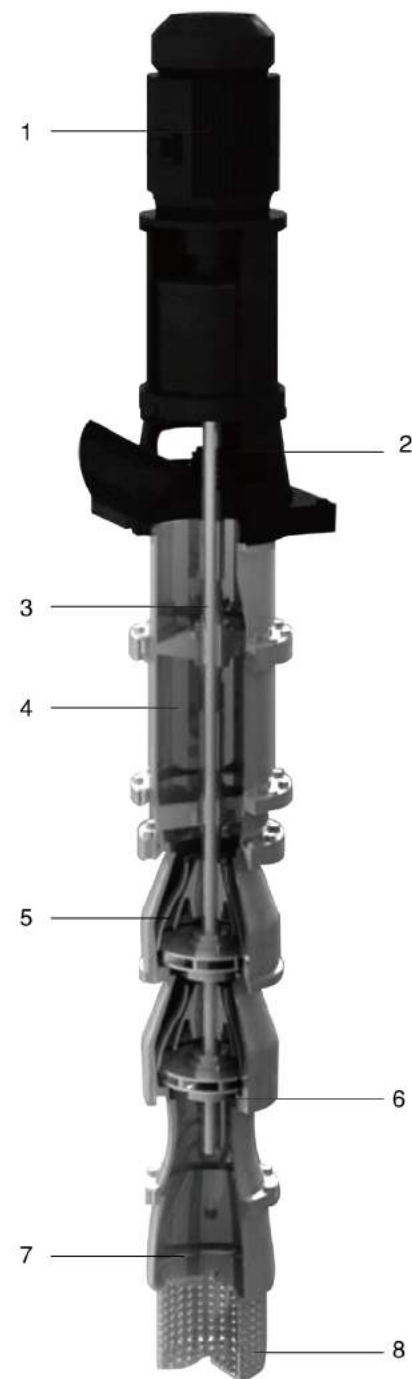
INSTALLATION

SIZE

LONG SHAFT DEEP WELL PUMP

PVT SERIES / 长轴深井泵
PVT系列

IV、CUTAWAY VIEW 剖面图



Deep-well pump 深井泵

Deep-well pump used for industrial treatment & high-duty operation
用于工业处理和高强度作业的深井泵

DESCRIPTION

- | | |
|---|-------------------------------|
| 1 | Solid shafting vertical motor |
| 2 | Pump base |
| 3 | Line shaft & coupling |
| 4 | Flange welded lifting pipe |
| 5 | Diversion casing |
| 6 | Impeller |
| 7 | Sand proof ring |
| 8 | Strainer |

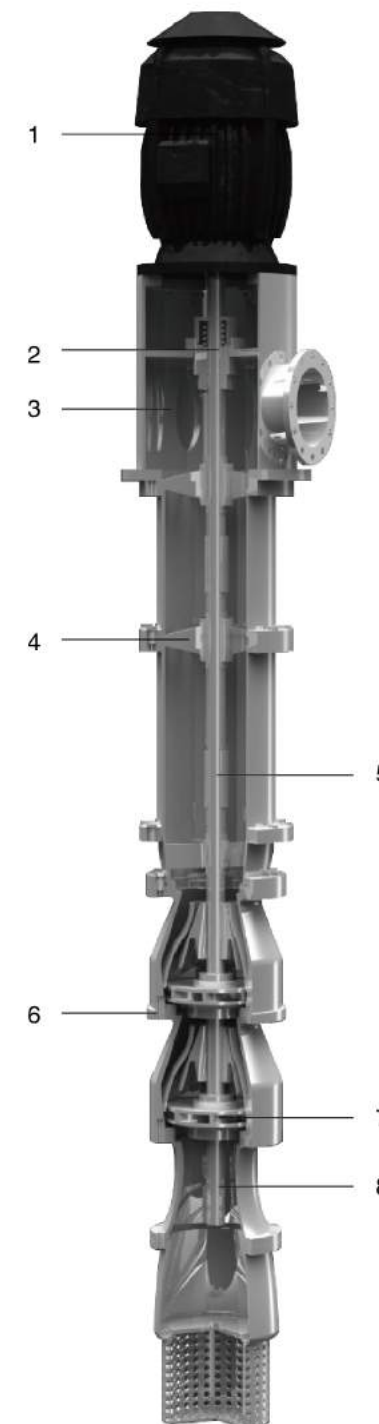
名称

- | | |
|---|------------------------|
| 1 | 实心轴立式电机 |
| 2 | 泵座 |
| 3 | 传动轴及联轴器 (带导管保护传动轴装置可选) |
| 4 | 焊有法兰的扬水管 (螺纹管可选) |
| 5 | 导流壳 |
| 6 | 叶轮 |
| 7 | 防砂环 |
| 8 | 滤水网 |

LONG SHAFT DEEP WELL PUMP

PVT SERIES / 长轴深井泵
PVT系列

IV、CUTAWAY VIEW 剖面图



Deep-well pump 深井泵

Deep-well pump used for industrial treatment & high-duty operation
用于工业处理和高强度作业的深井泵

DESCRIPTION

- | | |
|---|--|
| 1 | Hollow shafting vertical motor |
| 2 | Mechanical seal (Packing seal available) |
| 3 | Pump base |
| 4 | Intermediate support & support bearing |
| 5 | Line shaft & coupling |
| 6 | Pump body |
| 7 | Impeller |
| 8 | Pump shaft |

名称

- | | |
|---|---------------------|
| 1 | 空心轴立式电机 |
| 2 | 机械密封 (填料密封可选) |
| 3 | 泵座 |
| 4 | 中间支架及支架轴承 |
| 5 | 传动轴及联轴器 (带导管传动装置可选) |
| 6 | 泵体 |
| 7 | 叶轮 |
| 8 | 泵轴 |

PVT

PVT10

PVT20

PVT30

PVT40

PVT50

PVT60

PVT80

PVT90

PVT125

PVT130

PVT160

PVT185

PVT220

PVT300

PVT370

PVT400

PVT450

PVT550

PVT650

PVT900

PVT1000

PVT1250

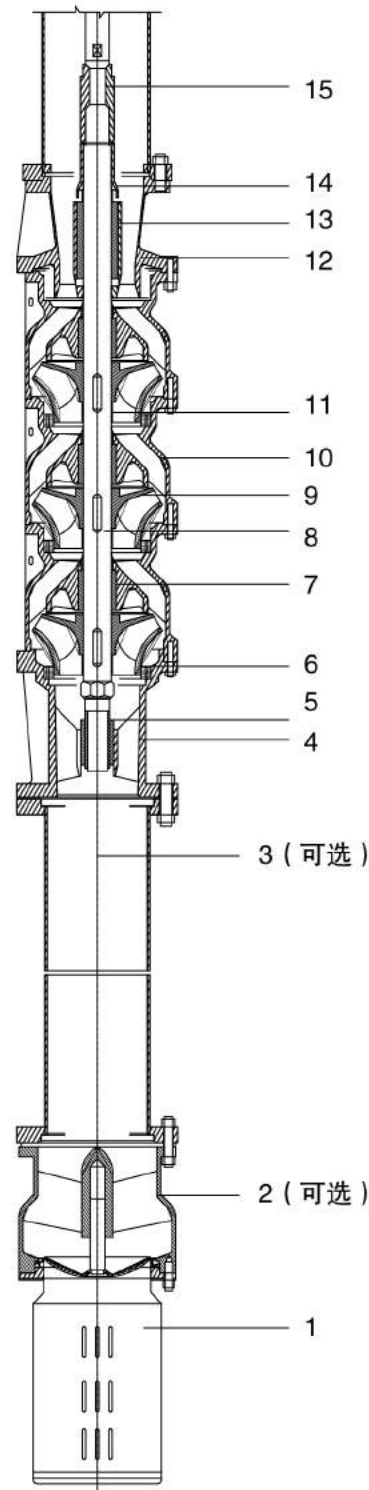
PVT2000

INSTALLATION
SIZE

LONG SHAFT DEEP WELL PUMP

PVT SERIES / 长轴深井泵
PVT系列

V、MATERIALS 材质



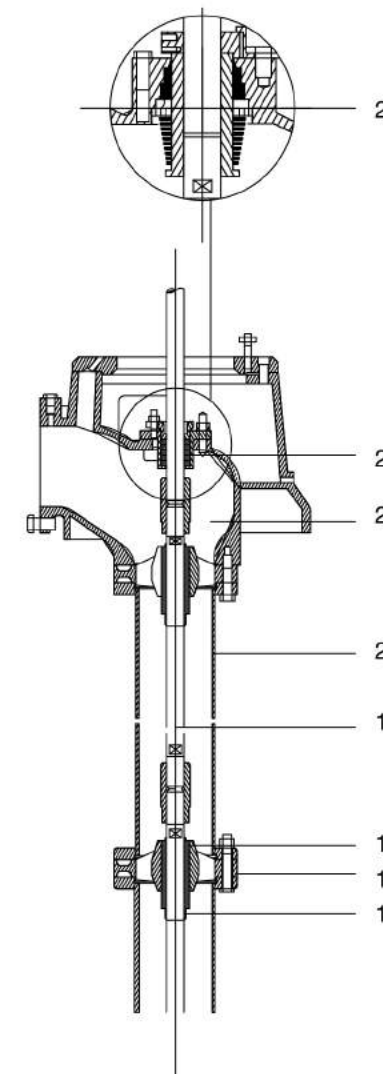
DESCRIPTION	MATERIAL	EXECUTION		
		01	02	03
1 Strainer	Galvanized iron	-	-	-
2 Footvalve	Cast iron	-	-	-
3 Suction pipe	Steel	-	-	-
4 Suction casing	Cast iron	-	-	-
5 Suction bearing	Rubber/Steel	-	-	-
6 Wear ring	Bronze	-	-	-
	Reinforced rubber	-	-	-
	Bronze	-	-	-
7 Intermediate bearing	Cast iron	-	-	-
	Rubber/Steel	-	-	-
	Bronze	-	-	-
8 Pump shaft	Steel	-	-	-
	Stainless steel	-	-	-
9 Impeller	Cast iron	-	-	-
	Bronze	-	-	-
	Stainless steel	-	-	-
10 Diffuser	Cast iron	-	-	-
11 Spacer sleeve	Chrome plated brass	-	-	-
12 Delivery casing	Cast iron	-	-	-
13 Outlet bearing	Rubber/Steel	-	-	-
	Bronze	-	-	-
14 Sand protection	Brass	-	-	-
15 Coupling	Stainless steel	-	-	-

名称	材料	配置		
		01	02	03
1 滤网	镀锌铁	-	-	-
2 底阀	铸铁	-	-	-
3 进水管	碳钢	-	-	-
4 进水端	铸铁	-	-	-
5 进水轴承	橡胶/钢	-	-	-
6 耐磨环	铜	-	-	-
	耐磨橡胶	-	-	-
	铜 (8-14inch)	-	-	-
7 中间轴承	铸铁 (16inch)	-	-	-
	橡胶/钢	-	-	-
8 泵轴	铜	-	-	-
	钢	-	-	-
	不锈钢	-	-	-
9 叶轮	铸铁	-	-	-
	铜	-	-	-
	不锈钢	-	-	-
10 导流壳	铸铁 (不锈钢可选)	-	-	-
11 间隔套	镀铬铜	-	-	-
12 出水端	铸铁	-	-	-
13 出水轴承	橡胶/钢	-	-	-
	铜	-	-	-
14 防砂装置	黄铜	-	-	-
15 联轴器	不锈钢	-	-	-

LONG SHAFT DEEP WELL PUMP

PVT SERIES / 长轴深井泵
PVT系列

V、MATERIALS 材质



DESCRIPTION	MATERIAL	EXECUTION		
		01	02	03
16 Line-shaft sleeve	Chrome plated brass	-	-	-
	Bronze	-	-	-
17 Line-shaft support bearing	Cast iron	-	-	-
18 Column bearing	Rubber/Steel	-	-	-
	Bronze	-	-	-
19 Line-shaft	Steel	-	-	-
20 Column pipe	Steel	-	-	-
21 Discharge base	Cast iron	-	-	-
22 Gland packing seal	Fibre plait	-	-	-
23 Mechanical seal	Ceramic/Graphite	-	-	-
	Sylicon carbide	-	-	-
	Tungsten carbide	-	-	-

名称	材料	配置		
		01	02	03
16 传动轴承	镀铬黄铜	-	-	-
	铜	-	-	-
17 轴承支架	铸铁	-	-	-
18 支架轴承	耐磨橡胶/钢	-	-	-
	铜	-	-	-
19 传动轴	钢 (不锈钢可选)	-	-	-
20 扬水管	钢 (不锈钢可选)	-	-	-
21 出水泵座	铸铁 (钢可选)	-	-	-
22 填料密封	石棉	-	-	-
	碳化硅	-	-	-
	碳化钨	-	-	-

01:Standard 标准配置
02-03:Executions on request 根据要求

PVT

PVT10

PVT20

PVT30

PVT40

PVT50

PVT60

PVT80

PVT90

PVT125

PVT130

PVT160

PVT185

PVT220

PVT300

PVT370

PVT400

PVT450

PVT550

PVT650

PVT900

PVT1000

PVT1250

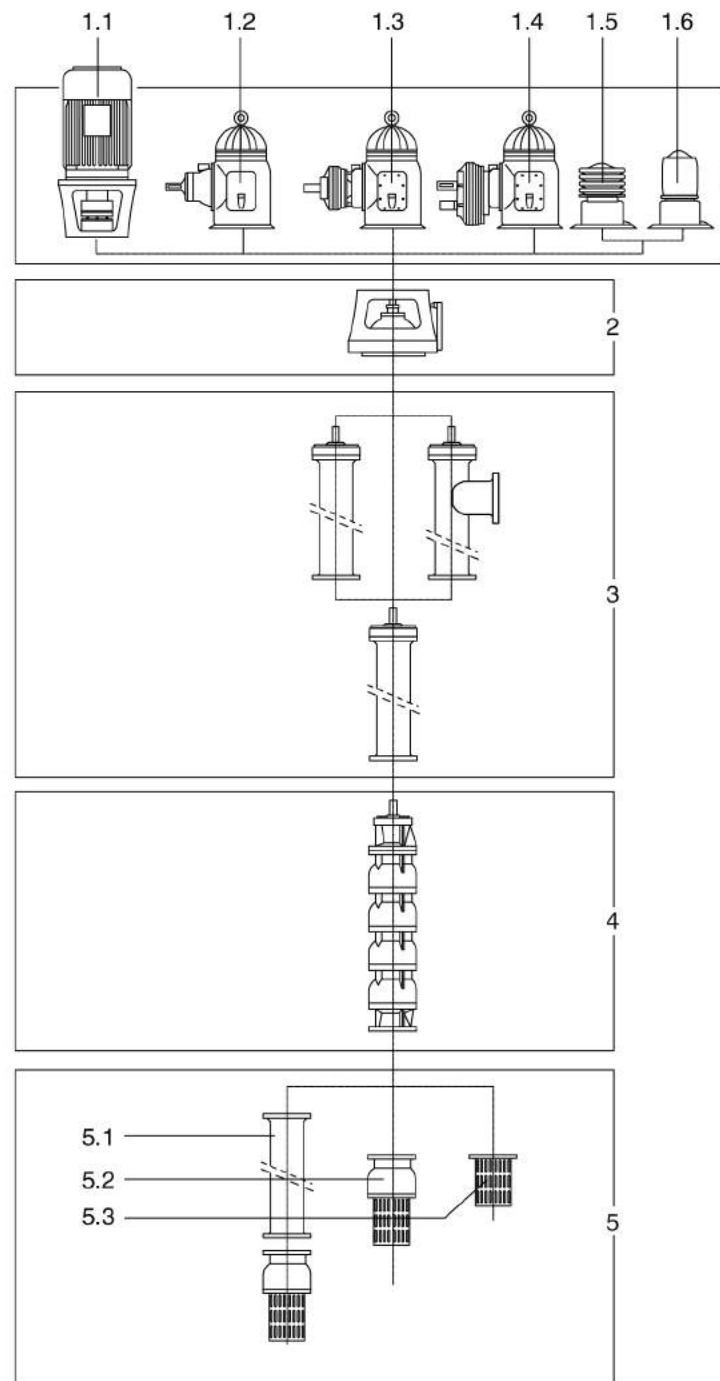
PVT2000

INSTALLATION SIZE

LONG SHAFT DEEP WELL PUMP

PVT SERIES / 长轴深井泵 PVT系列

VI、PARTS LIST 零件清单



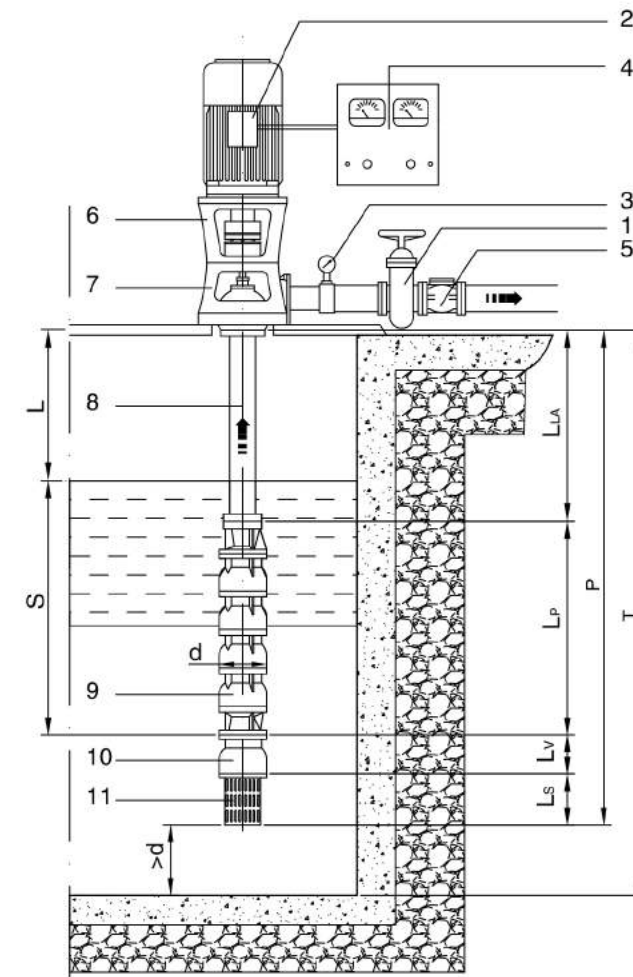
DESCRIPTION	
1	Drive head
1.1	ME for electric motor
1.2	OR with right angle
1.3	OM with overgear for tractor
1.4	ORM with right angle gear and overgear
1.5	VE with vertical grooved pulley
1.6	VE with flat pulley
2	Discharge base
3	Line shaft element
4	Pump Body "PVT" series
5	Suction components
5.1	Suction pipe TL
5.2	Footvalve VA-VR
5.3	Strainer SU

名称	
1	传动头
1.1	电机(ME)
1.2	正交轴齿轮(OR)
1.3	牵引机升速传动装置(OM)
1.4	正交轴齿轮和升速传动装置(ORM)
1.5	立式槽轮(VE)
1.6	平皮带轮(VE)
2	出水泵座
3	传动轴部分
4	泵体 "PVT" 系列
5	进水口零件
5.1	进水管TL
5.2	底阀VA-VR
5.3	滤网 SU

LONG SHAFT DEEP WELL PUMP

PVT SERIES / 长轴深井泵 PVT系列

VI、PARTS LIST 零件清单



DESCRIPTION			
1	Gate valve	11	Strainer
2	Electric motor	S	Positive suction head
3	Pressure gauge	L	Water level
4	Electric control panel	L _{LA}	Line shaft length
5	Non return valve	L _P	Pump length
6	Drive head	L _V	Foot valve length
7	Discharge base	L _S	Strainer length
8	Line shaft element	P	Setting depth
9	Vertical pump	T	Tank depth
10	Foot valve	d	Pump diameter

名称			
1	闸阀	11	滤网
2	电机	S	净吸入压力
3	压力表	L	水平面
4	电控箱	L _{LA}	传动轴
5	止回阀	L _P	泵长度
6	驱动装置	L _V	底阀长度
7	出水泵座	L _S	滤网长度
8	传动轴部分	P	安装深度
9	泵体	T	水池深度
10	底阀	d	泵直径

PVT

PVT10

PVT20

PVT30

PVT40

PVT50

PVT60

PVT80

PVT90

PVT125

PVT130

PVT160

PVT185

PVT220

PVT300

PVT370

PVT400

PVT450

PVT550

PVT650

PVT900

PVT1000

PVT1250

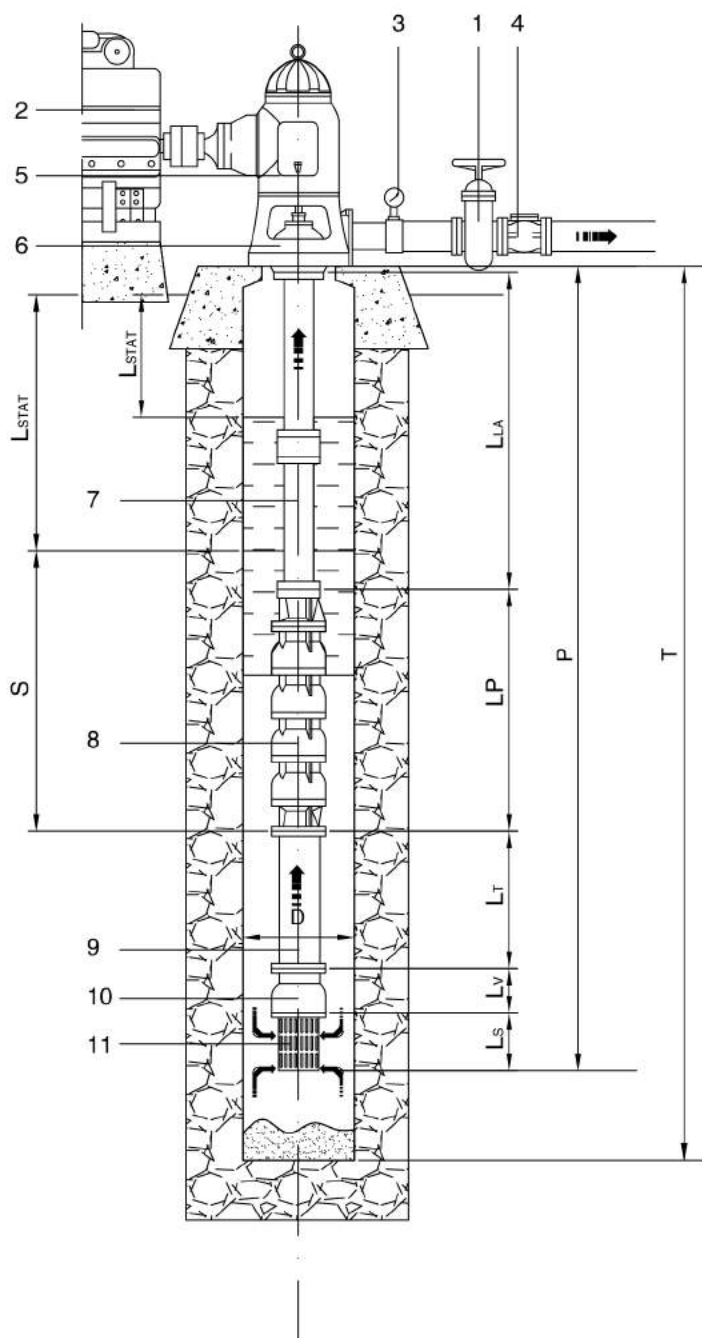
PVT2000

INSTALLATION SIZE

LONG SHAFT DEEP WELL PUMP

PVT SERIES / 长轴深井泵
PVT系列

VI、PARTS LIST 零件清单



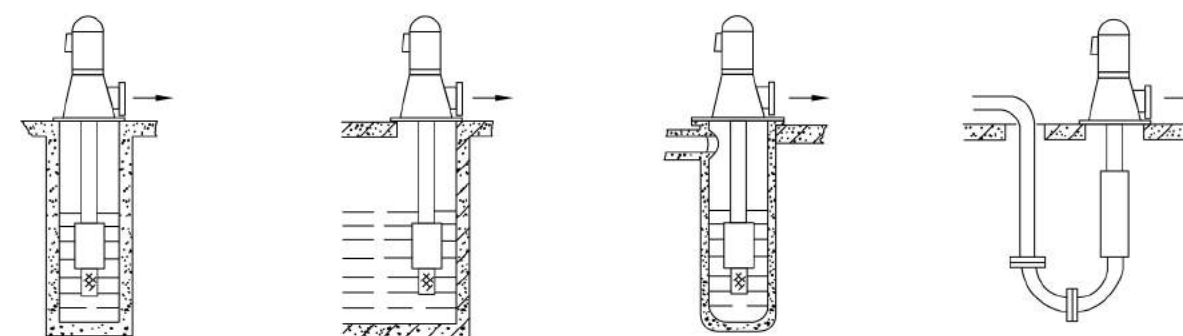
DESCRIPTION			
1	Gate valve	S	Positive suction head
2	Thermic engine	L _{STAT}	Static level
3	Pressure gauge	L _{DIN}	Dynamic level
4	Non return Valve	L _{LA}	Line shaft length
5	Drive head	L _P	Pump length
6	Discharge base	L _T	Suction pipe length
7	Line shaft element	L _V	Foot valve length
8	Vertical Pump	L _S	Strainer length
9	Suction pipe	P	Setting depth
10	Foot valve	T	Well depth
11	Strainer	d	Inside diameter of the Well

名称			
1	闸阀	S	净吸入压力
2	柴油机	L _{STAT}	静止液面
3	压力表	L _{DIN}	动态液面
4	止回阀	L _{LA}	动力轴长度
5	驱动装置	L _P	泵长度
6	出水泵座	L _T	吸入管长度
7	传动轴	L _V	底阀长度
8	泵体部分	L _S	滤网长度
9	吸入管	P	安装深度
10	底阀	T	井深
11	滤网	d	井内直径

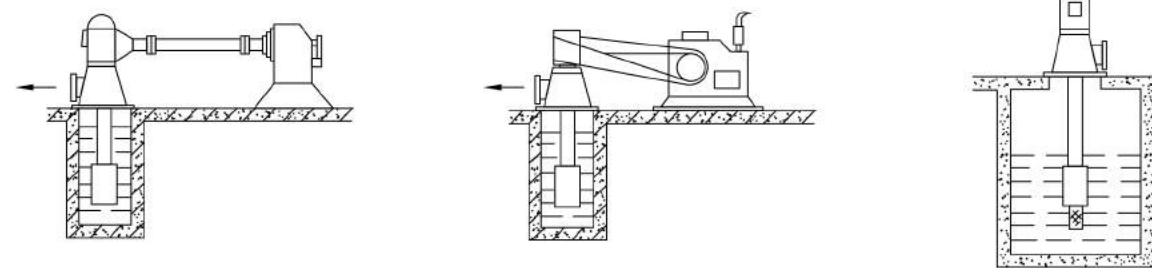
LONG SHAFT DEEP WELL PUMP

PVT SERIES / 长轴深井泵
PVT系列

VII、INSTALLATION 安装使用方法



Lift Water From Deep Well	Drain Water From Tank	Barrel Mode installation For Water Drainage	Increase Water Pressure In Conduit
深井提水	水池江河排水	筒式安装抽水排水	管道增压



Diesel driven	Diesel driven	Water Drainage In Special Industry
柴油机驱动直角齿轮箱传动适用无电场合	柴油机驱动皮带传动适用无电场合	特殊工业给水 (防腐防爆)

PVT

PVT10

PVT20

PVT30

PVT40

PVT50

PVT60

PVT80

PVT90

PVT125

PVT130

PVT160

PVT185

PVT220

PVT300

PVT370

PVT400

PVT450

PVT550

PVT650

PVT900

PVT1000

PVT1250

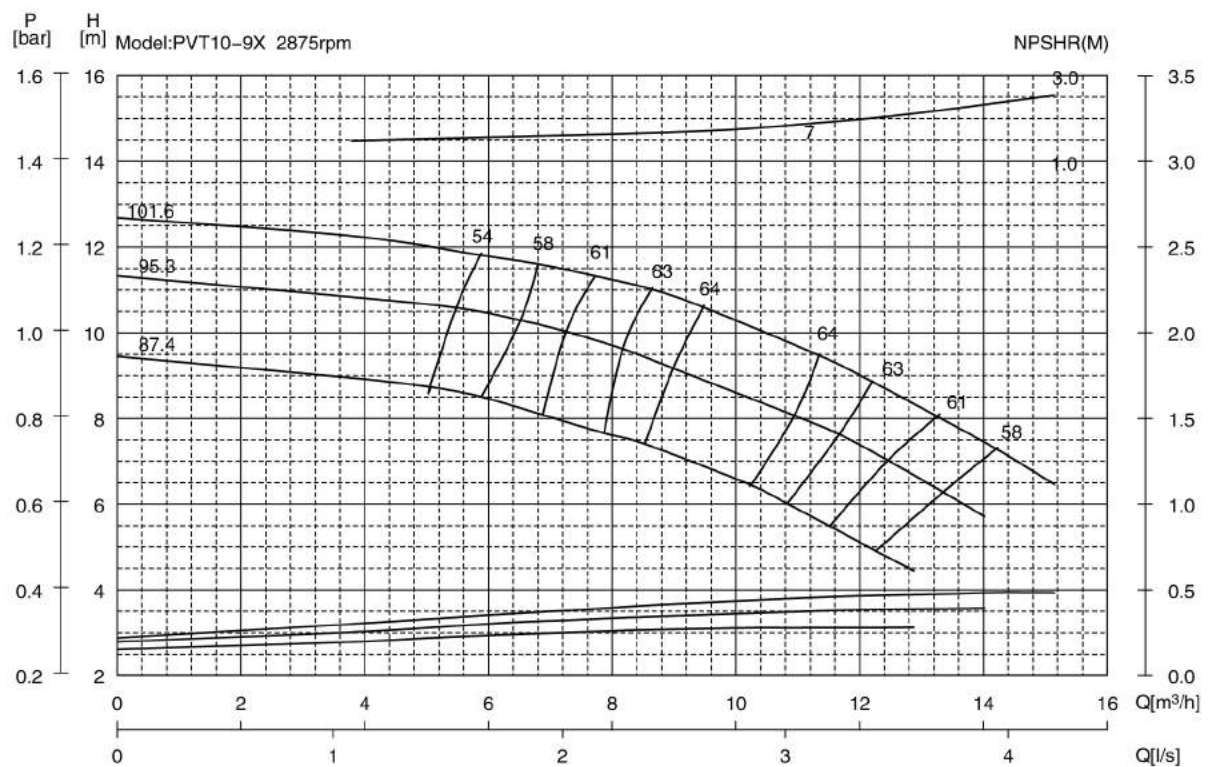
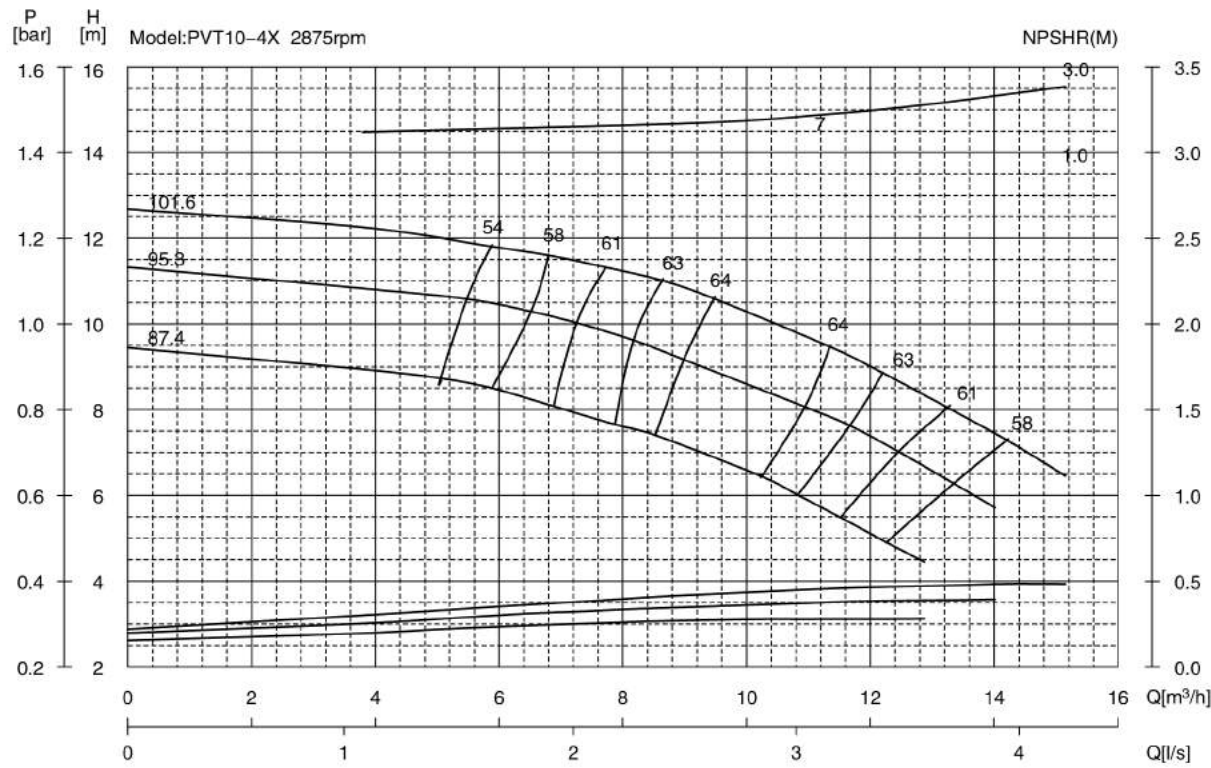
PVT2000

INSTALLATION SIZE

LONG SHAFT DEEP WELL PUMP

PVT SERIES / 长轴深井泵 PVT系列

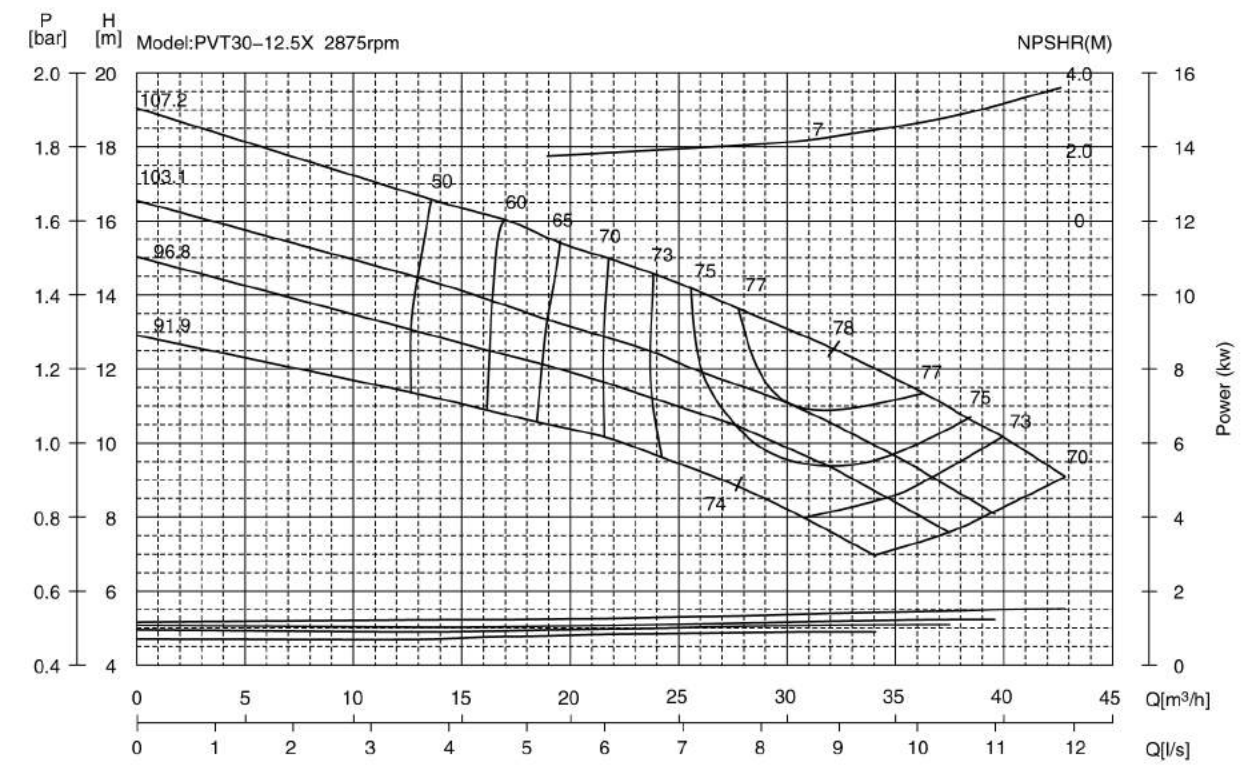
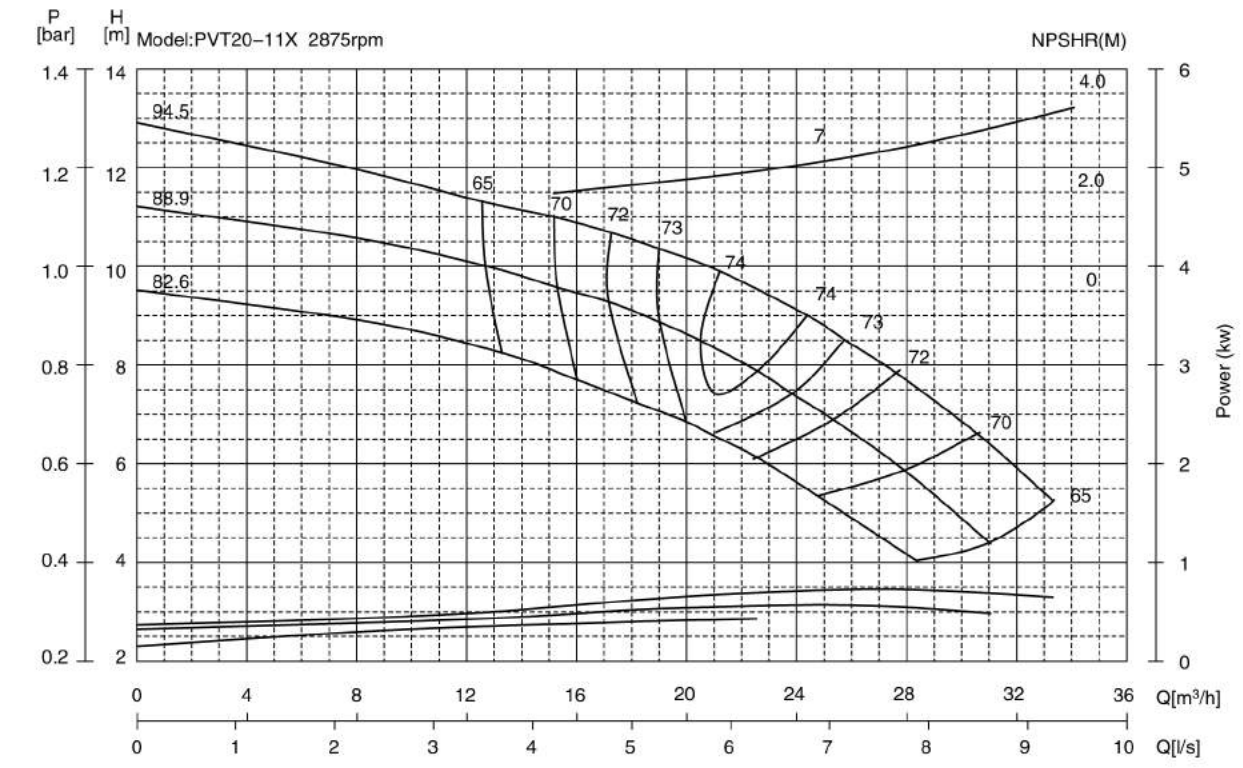
VIII、PERFORMANCE CURVE CHART 性能曲线图



LONG SHAFT DEEP WELL PUMP

PVT SERIES / 长轴深井泵 PVT系列

VIII、PERFORMANCE CURVE CHART 性能曲线图



PVT

PVT10

PVT20

PVT30

PVT40

PVT50

PVT60

PVT80

PVT90

PVT125

PVT130

PVT160

PVT185

PVT220

PVT300

PVT370

PVT400

PVT450

PVT550

PVT650

PVT900

PVT1000

PVT1250

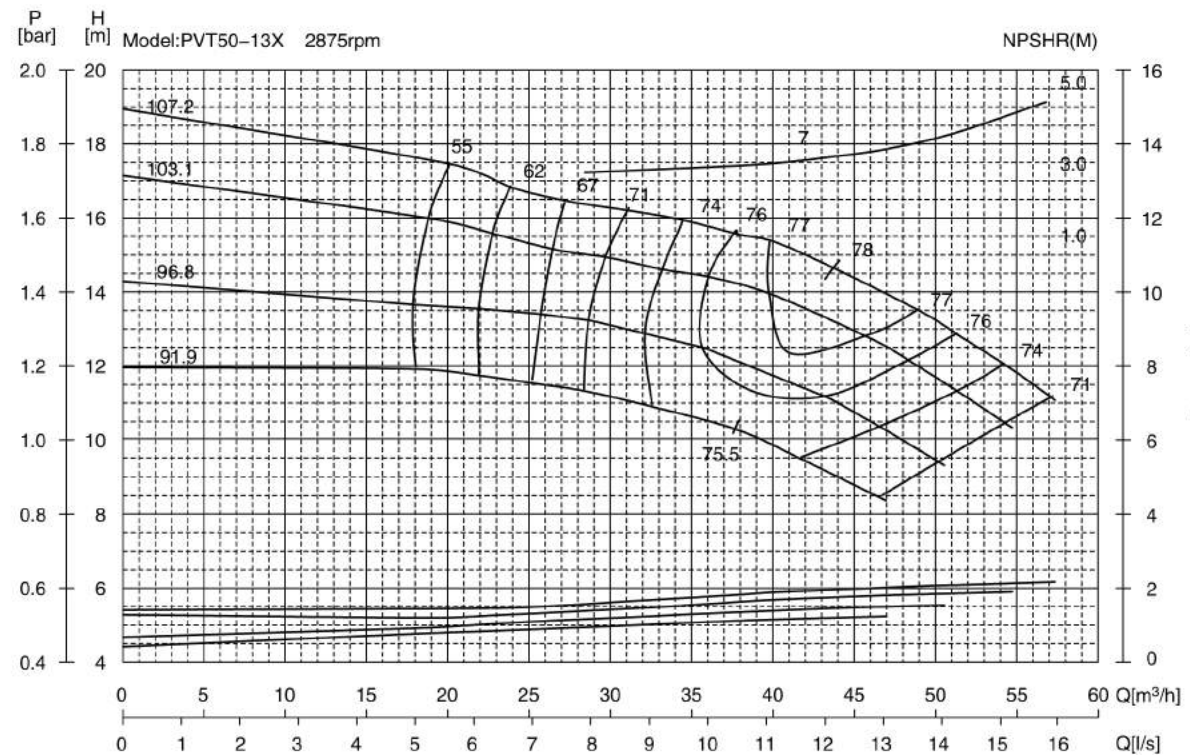
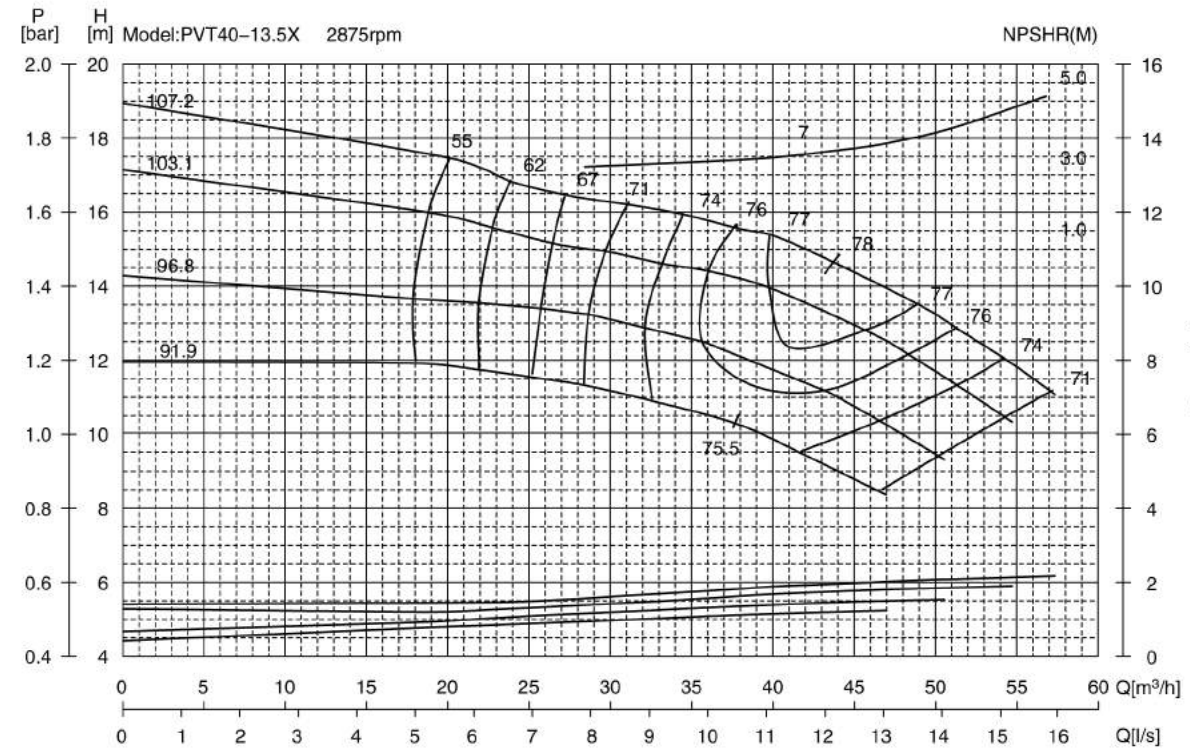
PVT2000

INSTALLATION SIZE

LONG SHAFT DEEP WELL PUMP

PVT SERIES / 长轴深井泵 PVT系列

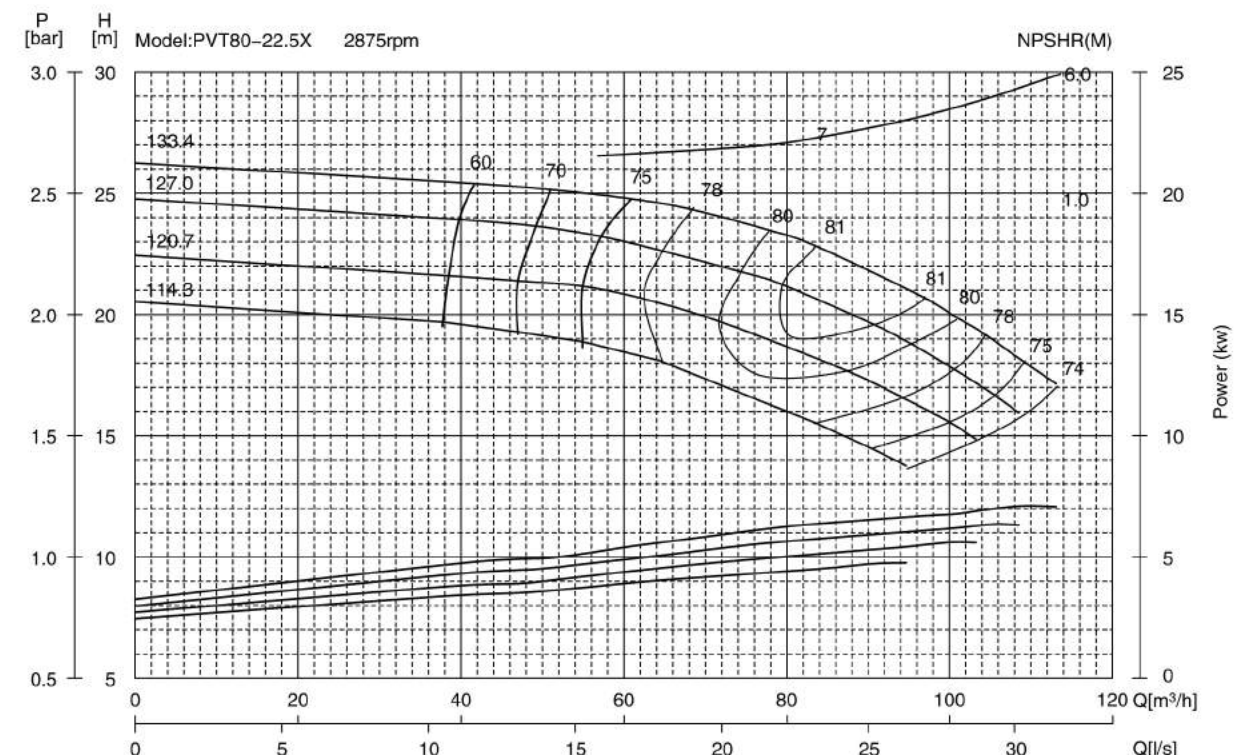
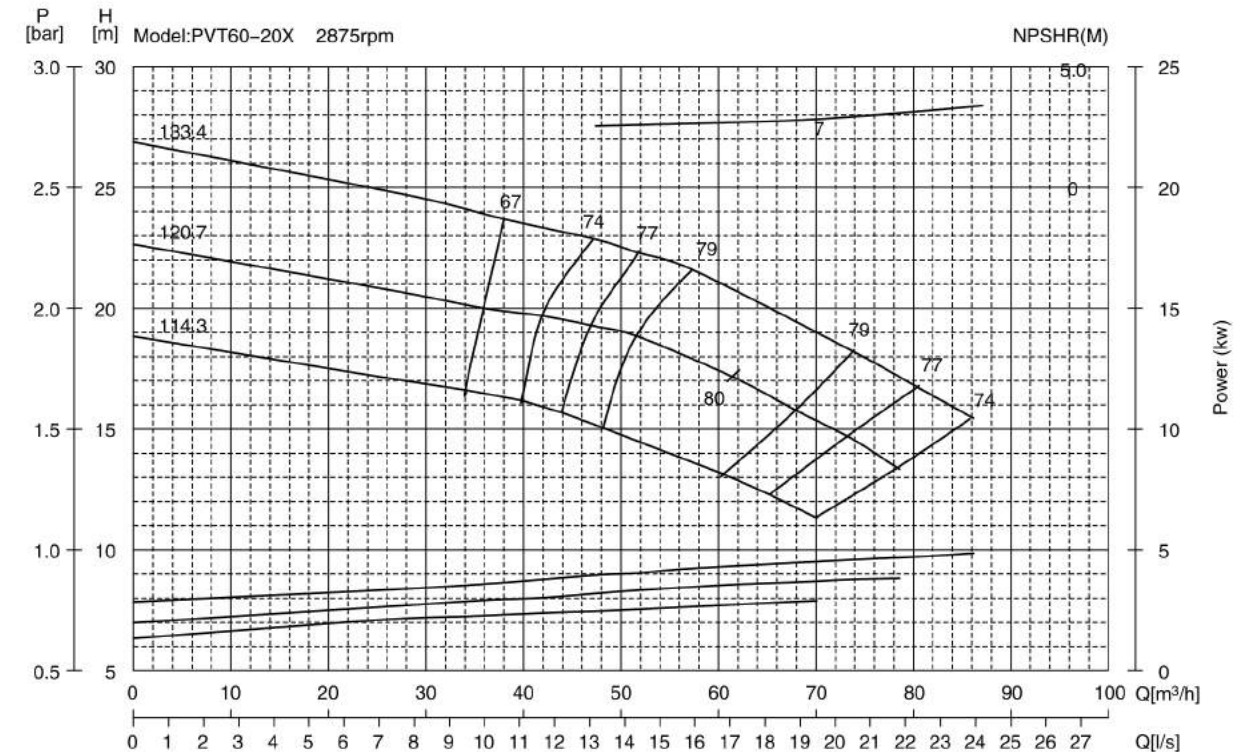
VIII、PERFORMANCE CURVE CHART 性能曲线图



LONG SHAFT DEEP WELL PUMP

PVT SERIES / 长轴深井泵 PVT系列

VIII、PERFORMANCE CURVE CHART 性能曲线图



PVT

PVT10

PVT20

PVT30

PVT40

PVT50

PVT60

PVT80

PVT90

PVT125

PVT130

PVT160

PVT185

PVT220

PVT300

PVT370

PVT400

PVT450

PVT550

PVT650

PVT900

PVT1000

PVT1250

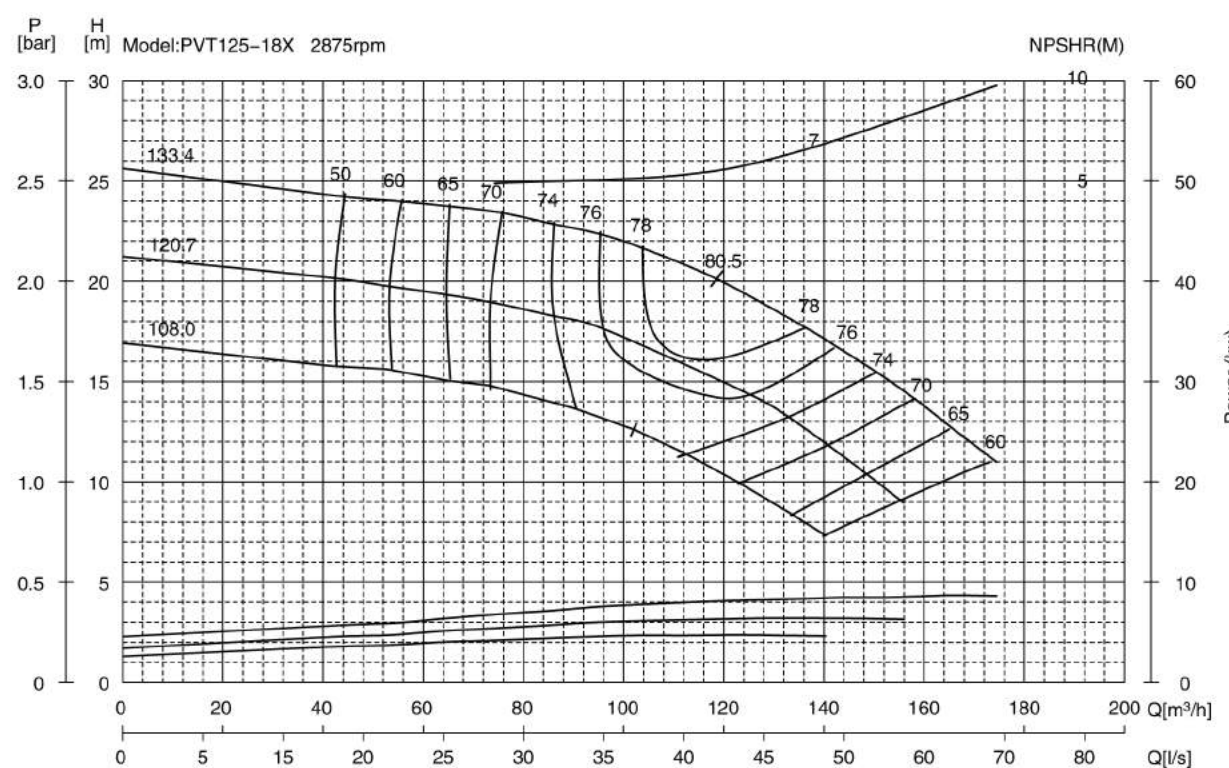
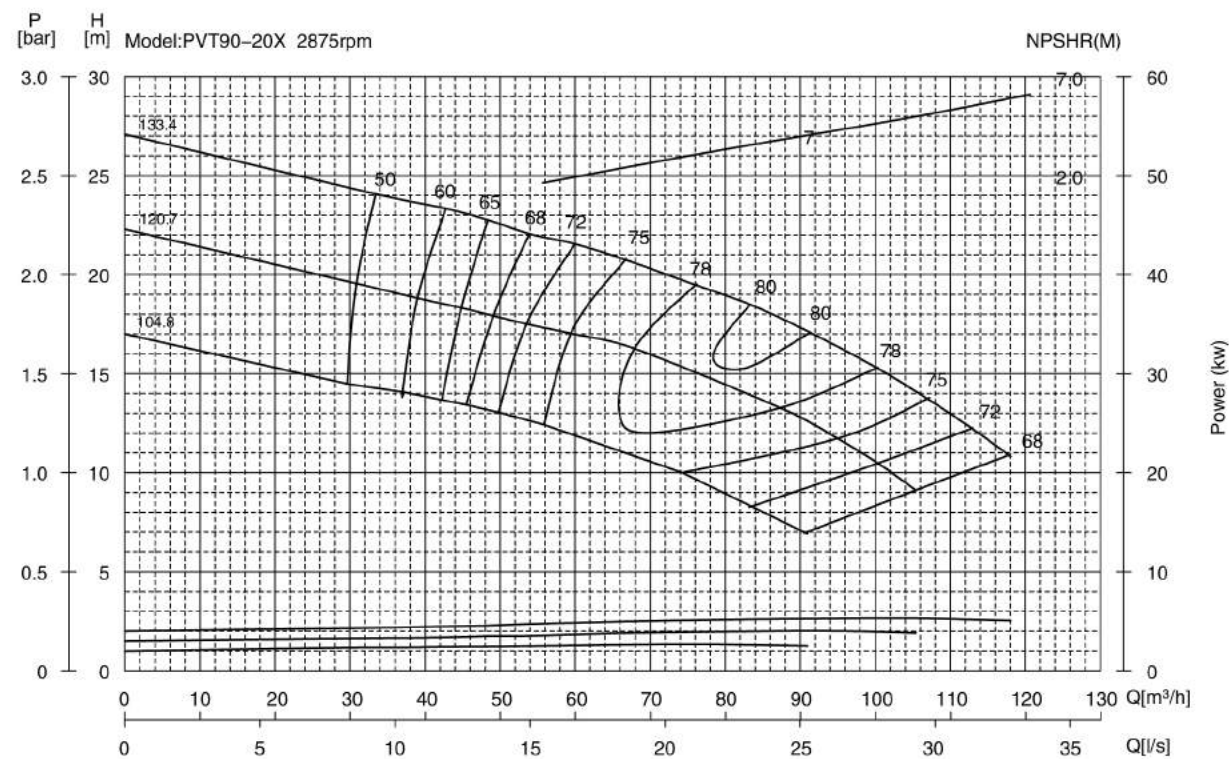
PVT2000

INSTALLATION SIZE

LONG SHAFT DEEP WELL PUMP

PVT SERIES / 长轴深井泵
PVT系列

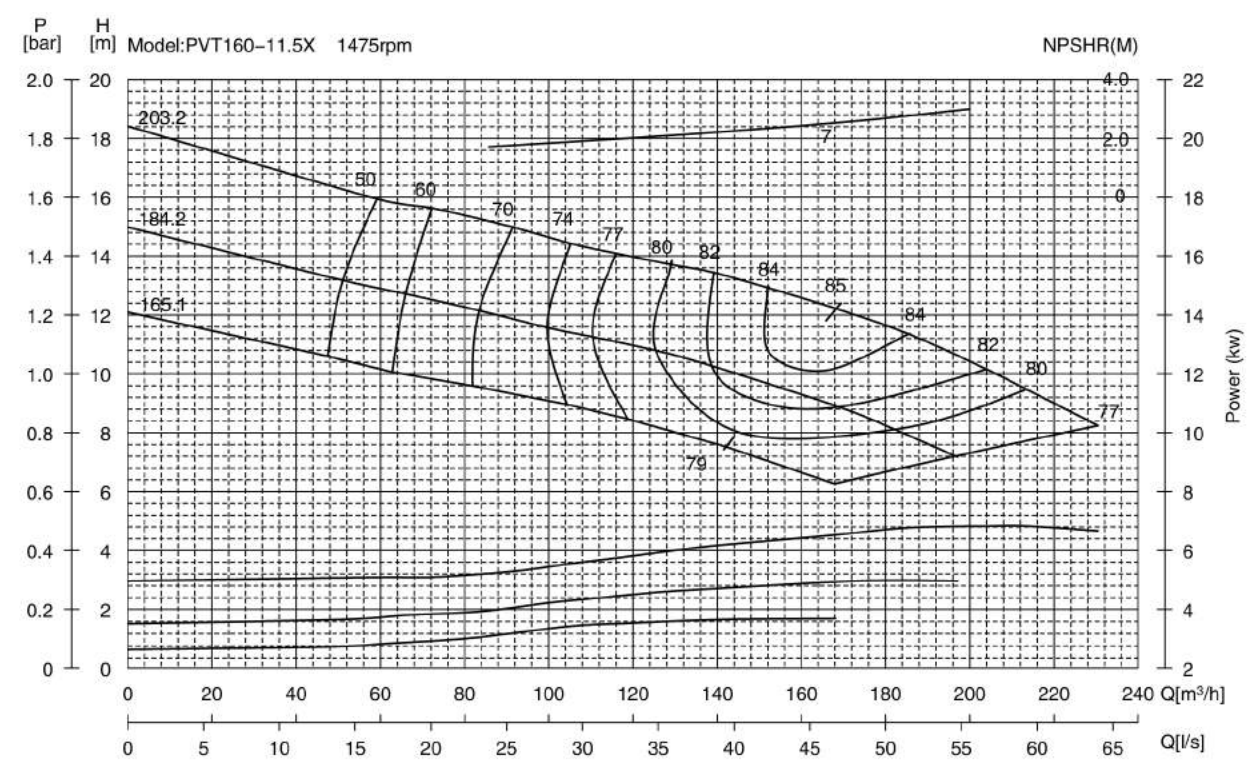
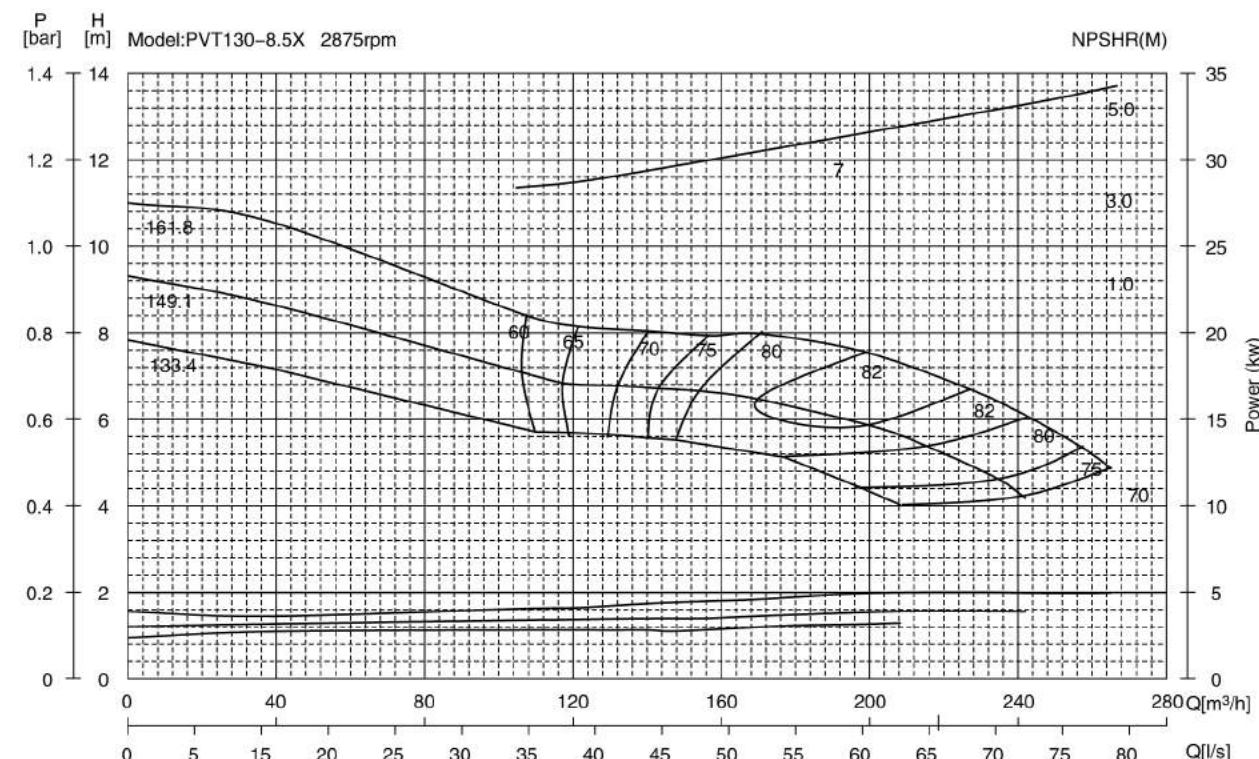
VIII、PERFORMANCE CURVE CHART 性能曲线图



LONG SHAFT DEEP WELL PUMP

PVT SERIES / 长轴深井泵
PVT系列

VIII、PERFORMANCE CURVE CHART 性能曲线图



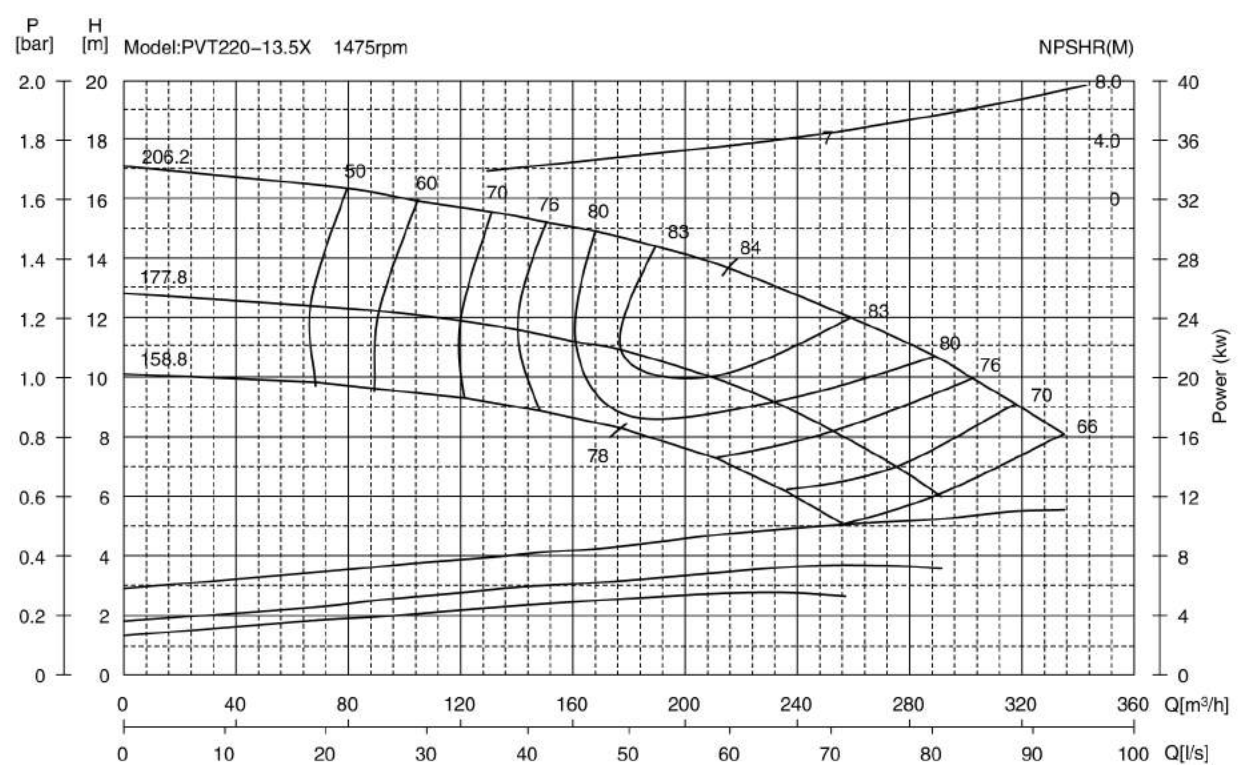
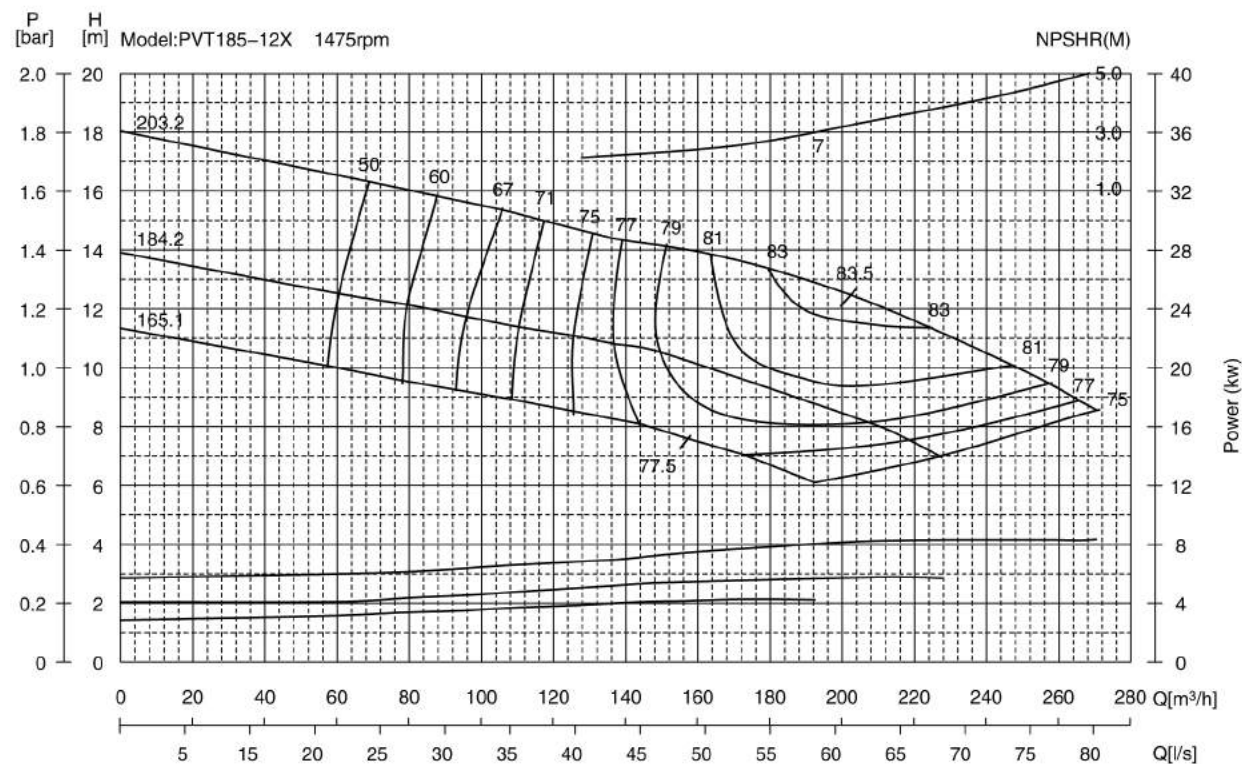
- PVT
- PVT10
- PVT20
- PVT30
- PVT40
- PVT50
- PVT60
- PVT80
- PVT90
- PVT125
- PVT130
- PVT160
- PVT185
- PVT220
- PVT300
- PVT370
- PVT400
- PVT450
- PVT550
- PVT650
- PVT900
- PVT1000
- PVT1250
- PVT2000

INSTALLATION
SIZE

LONG SHAFT DEEP WELL PUMP

PVT SERIES / 长轴深井泵 PVT系列

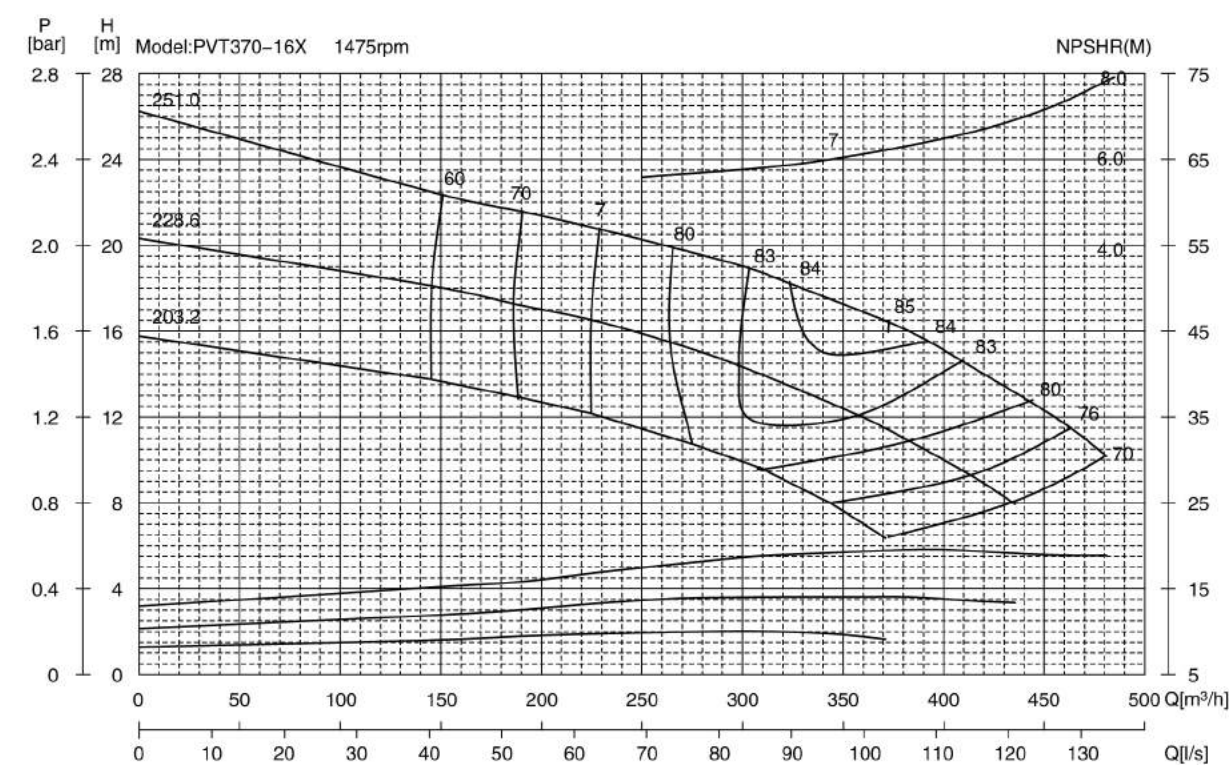
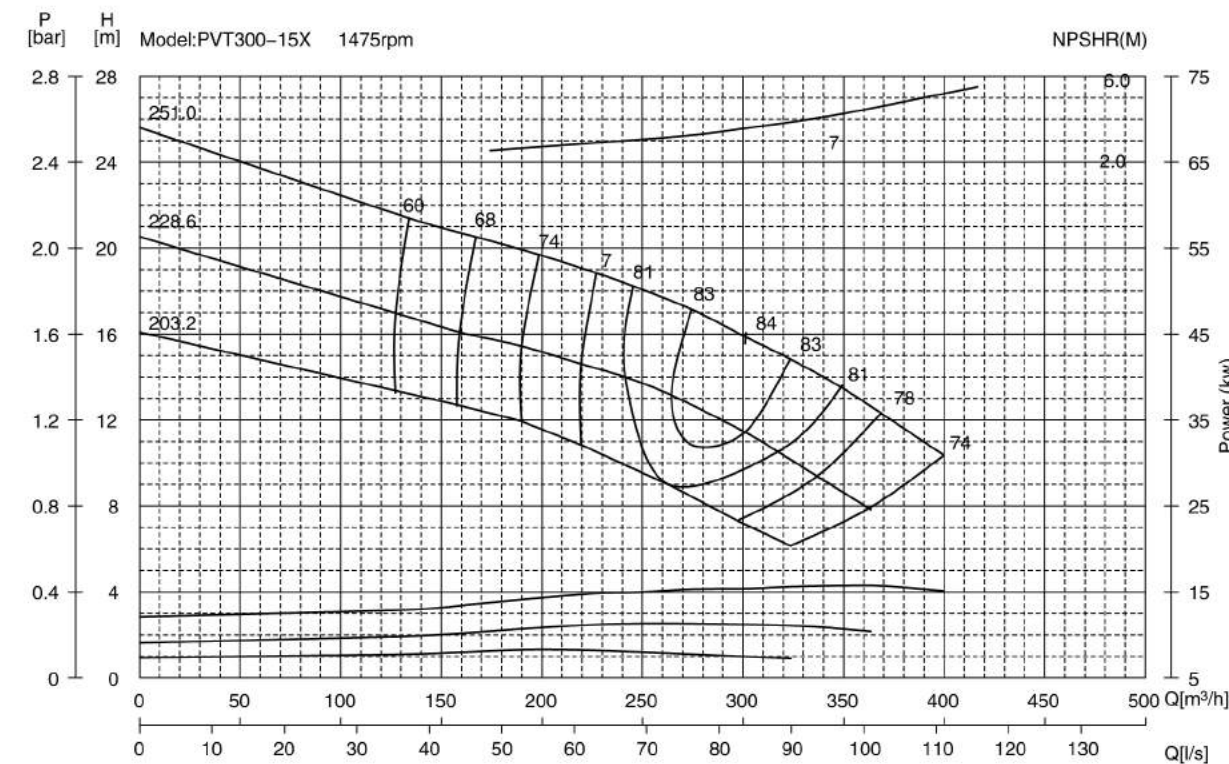
VIII、PERFORMANCE CURVE CHART 性能曲线图



LONG SHAFT DEEP WELL PUMP

PVT SERIES / 长轴深井泵 PVT系列

VIII、PERFORMANCE CURVE CHART 性能曲线图



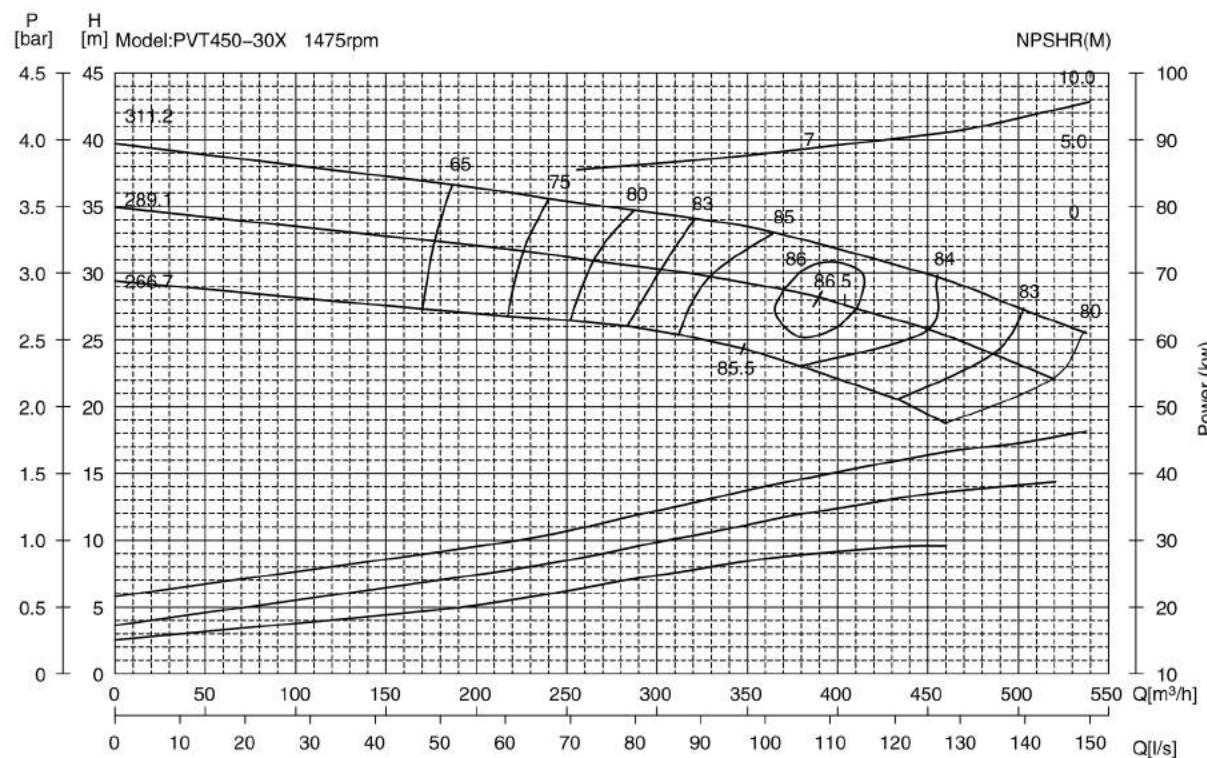
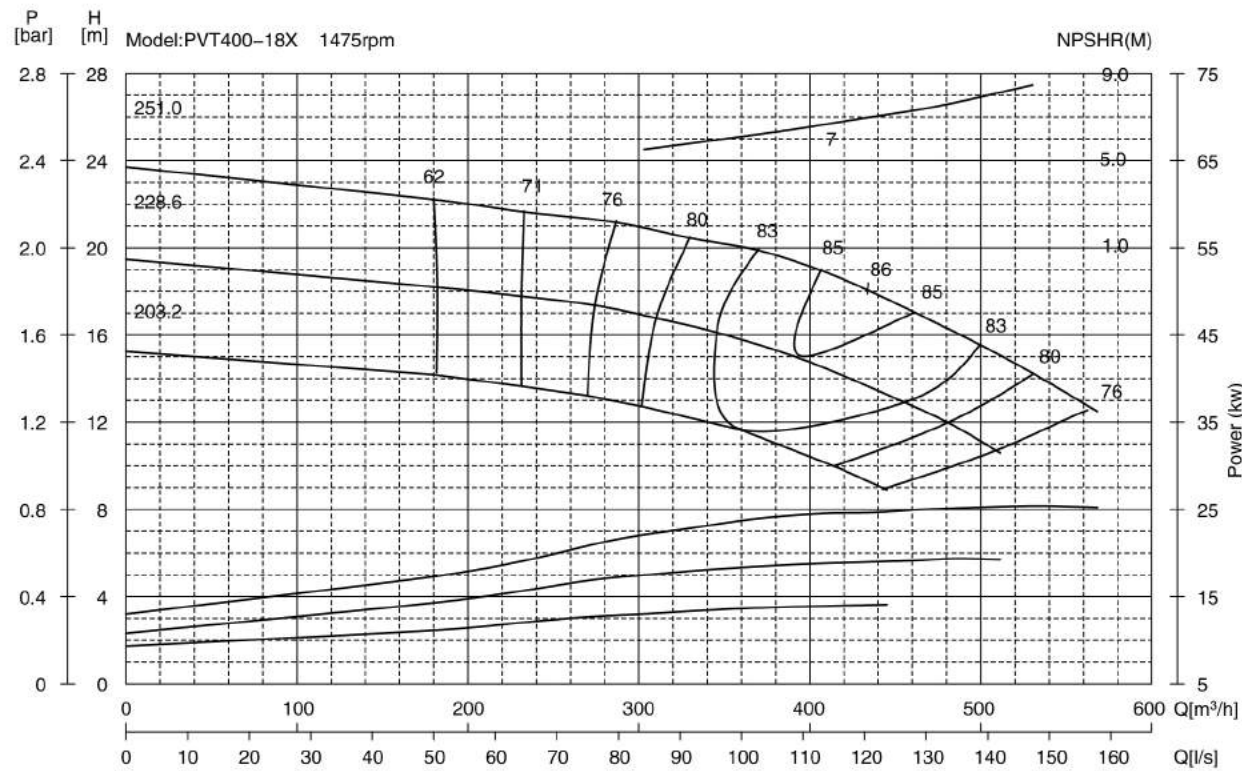
- PVT
- PVT10
- PVT20
- PVT30
- PVT40
- PVT50
- PVT60
- PVT80
- PVT90
- PVT125
- PVT130
- PVT160
- PVT185
- PVT220
- PVT300
- PVT370
- PVT400
- PVT450
- PVT550
- PVT650
- PVT900
- PVT1000
- PVT1250
- PVT2000

INSTALLATION SIZE

LONG SHAFT DEEP WELL PUMP

PVT SERIES / 长轴深井泵 PVT系列

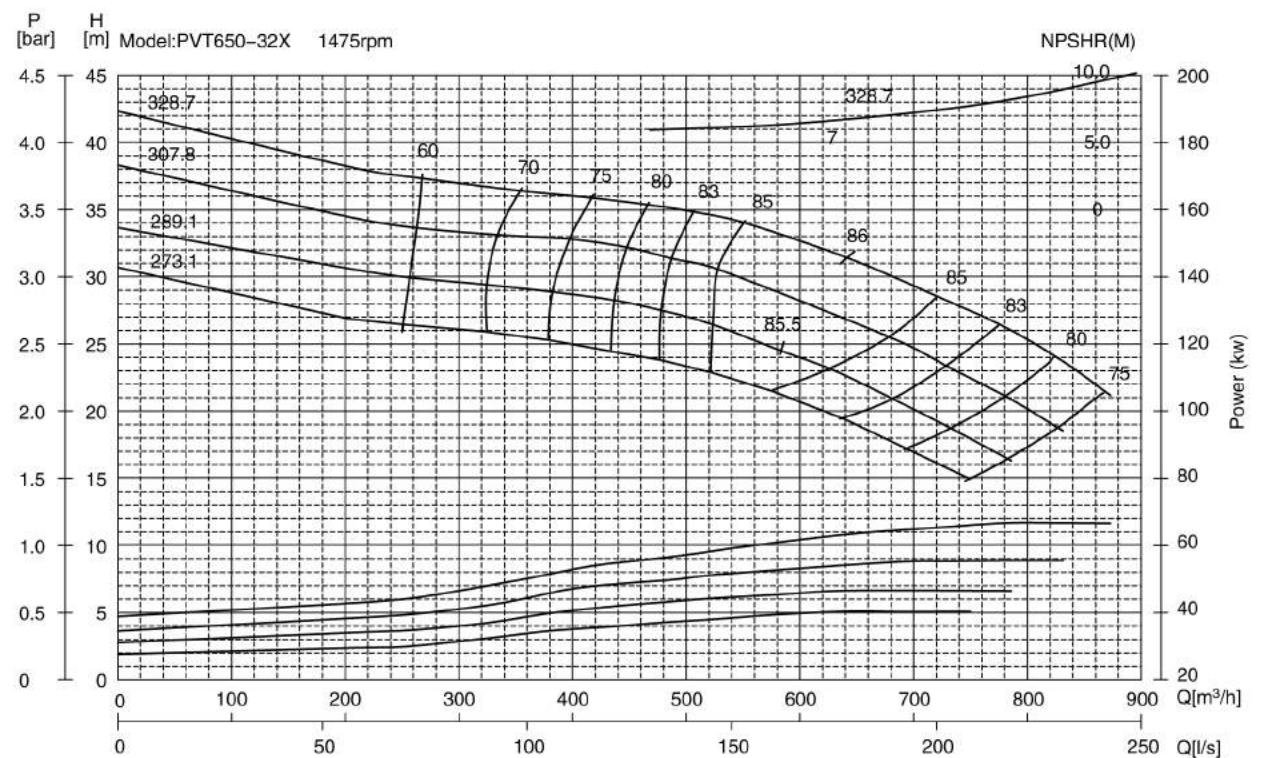
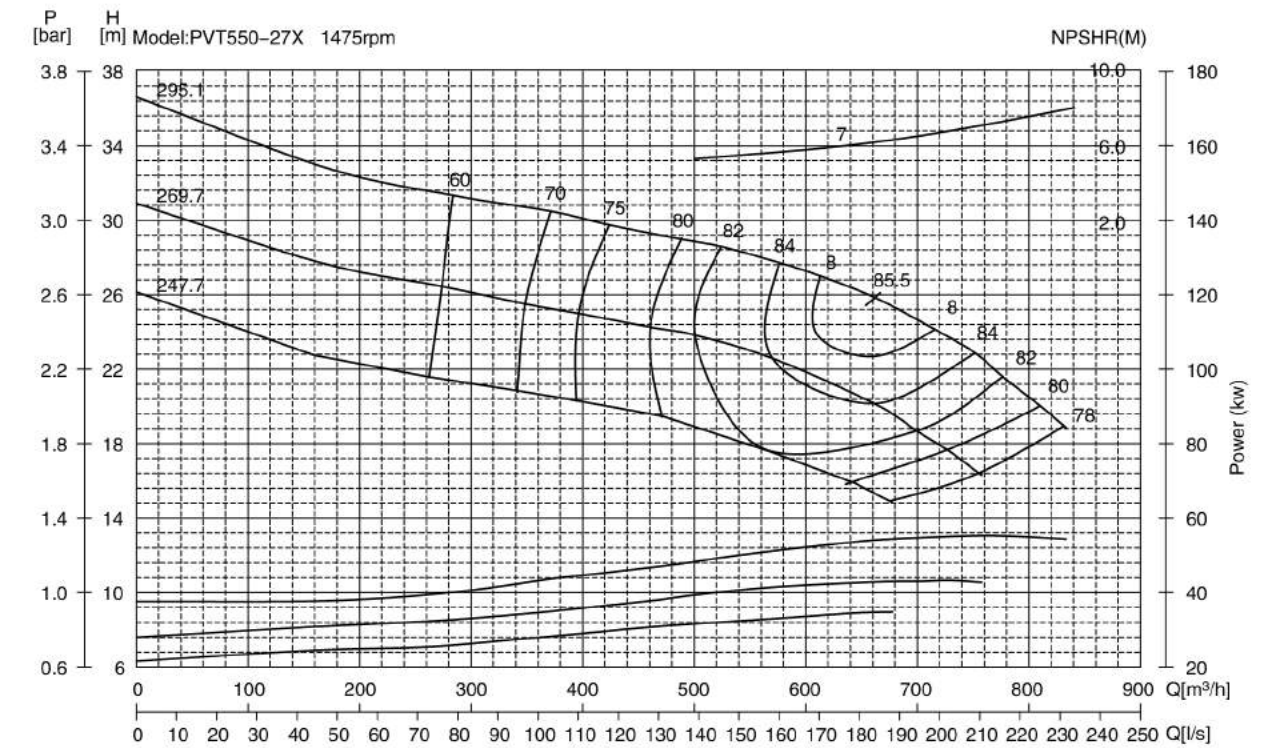
VIII、PERFORMANCE CURVE CHART 性能曲线图



LONG SHAFT DEEP WELL PUMP

PVT SERIES / 长轴深井泵 PVT系列

VIII、PERFORMANCE CURVE CHART 性能曲线图



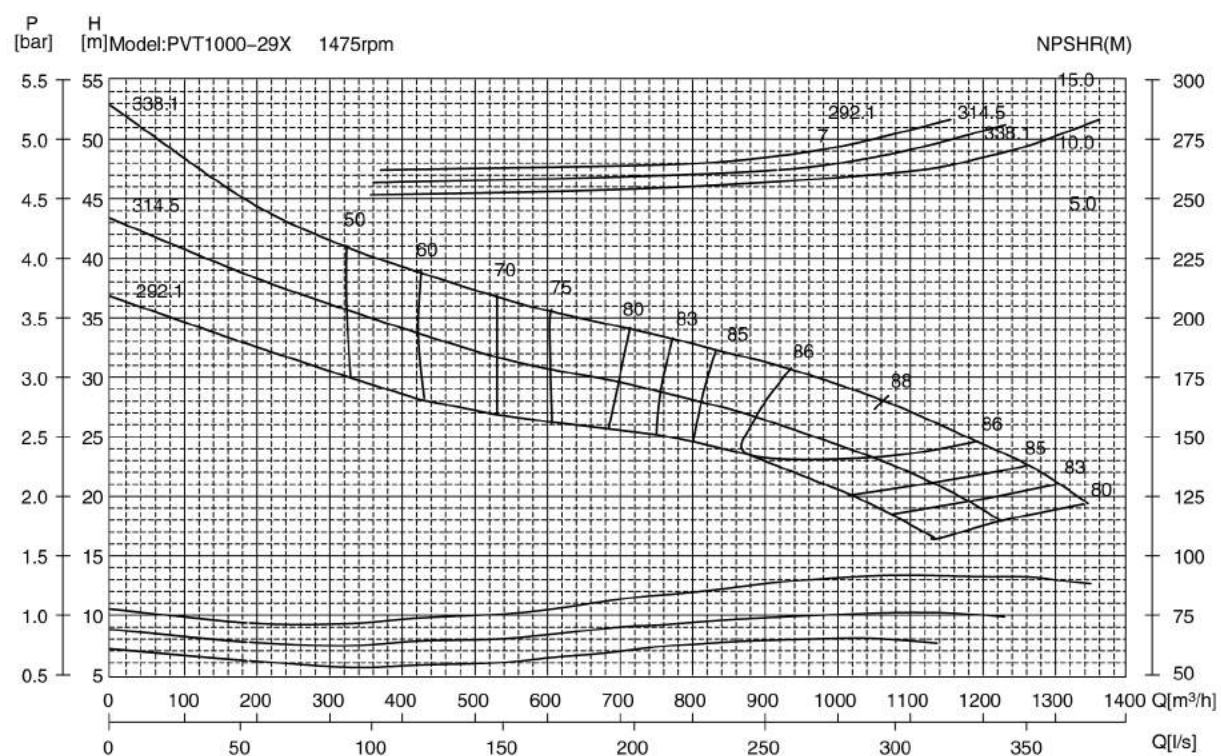
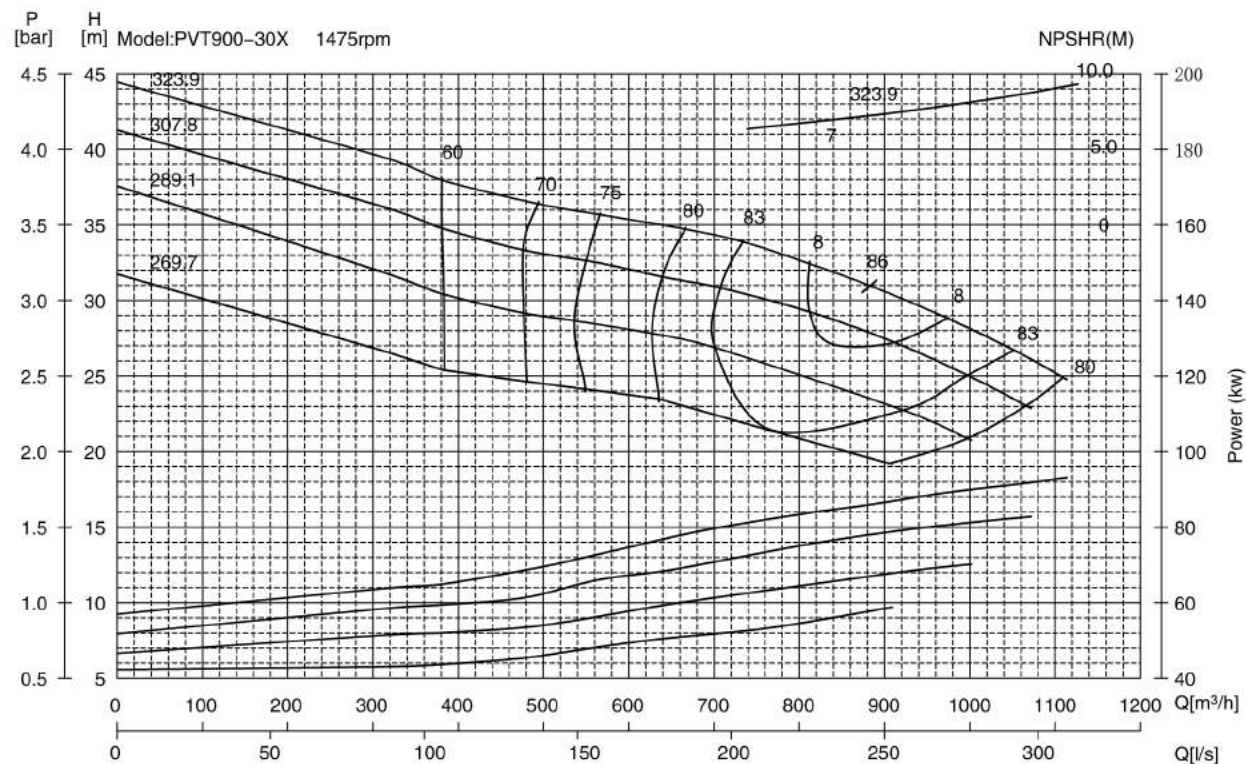
- PVT
- PVT10
- PVT20
- PVT30
- PVT40
- PVT50
- PVT60
- PVT80
- PVT90
- PVT125
- PVT130
- PVT160
- PVT185
- PVT220
- PVT300
- PVT370
- PVT400
- PVT450
- PVT550
- PVT650
- PVT900
- PVT1000
- PVT1250
- PVT2000

INSTALLATION SIZE

LONG SHAFT DEEP WELL PUMP

PVT SERIES / 长轴深井泵
PVT系列

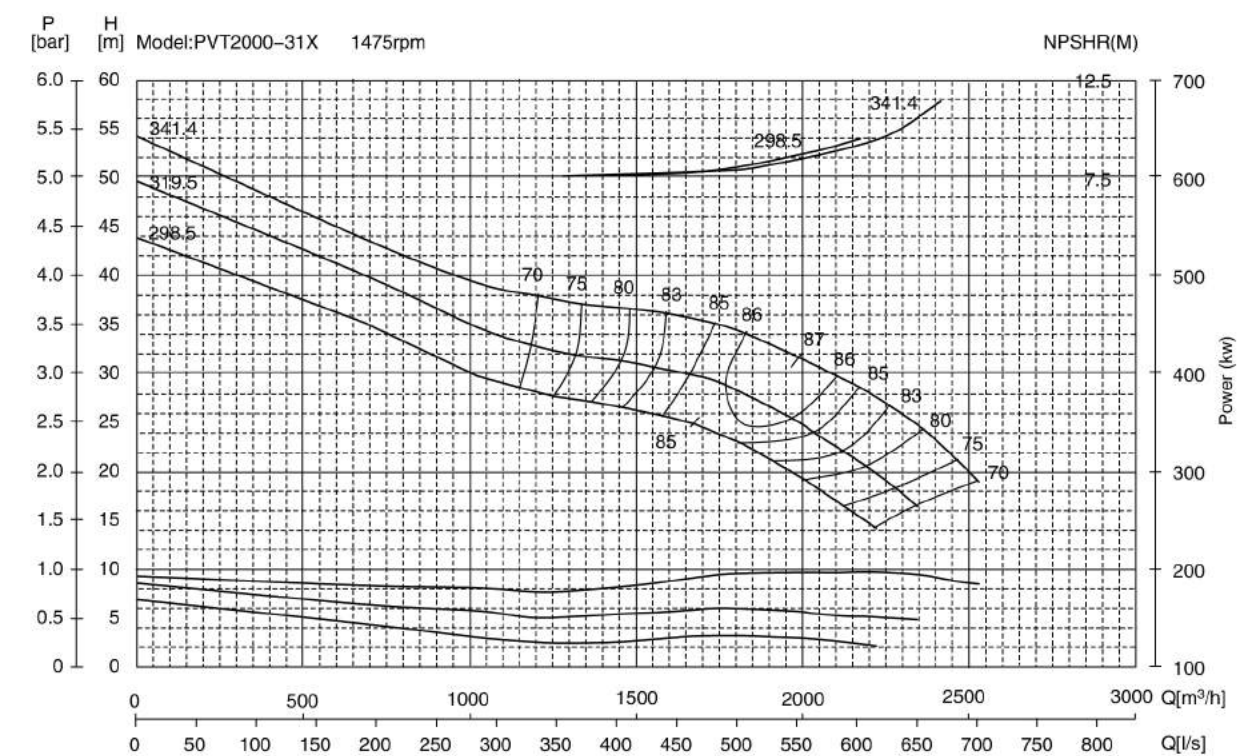
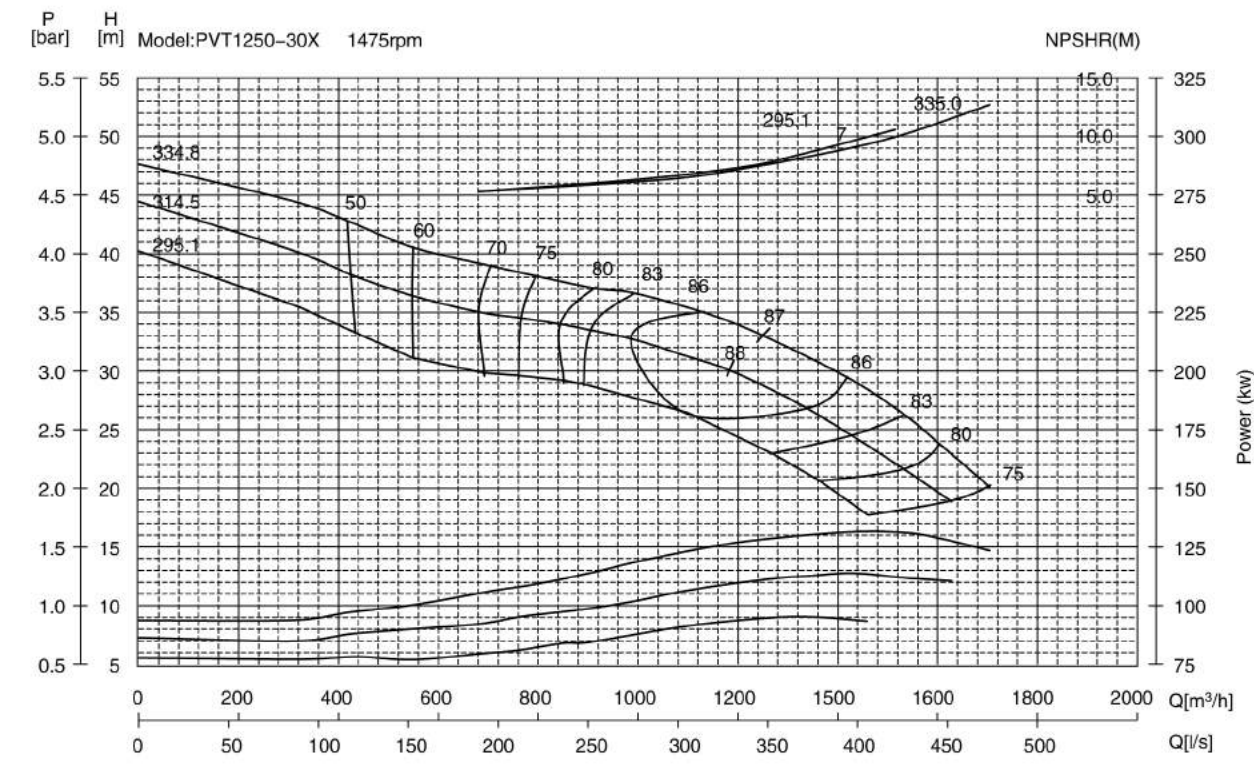
VIII、PERFORMANCE CURVE CHART 性能曲线图



LONG SHAFT DEEP WELL PUMP

PVT SERIES / 长轴深井泵
PVT系列

VIII、PERFORMANCE CURVE CHART 性能曲线图



PVT

PVT10

PVT20

PVT30

PVT40

PVT50

PVT60

PVT80

PVT90

PVT125

PVT130

PVT160

PVT185

PVT220

PVT300

PVT370

PVT400

PVT450

PVT550

PVT650

PVT900

PVT1000

PVT1250

PVT2000

INSTALLATION
SIZE

LONG SHAFT DEEP WELL PUMP

PVT SERIES / 长轴深井泵
PVT系列

IX、BASIC PARAMETERS 基本参数

PVT SERIES										
Moder 型号	Stage 级数 [i]	Capacity 流量 [m³/h]		Head 扬程 [Kg]		Motor Power 配套功率 [KW]	String Quantity 串量 [mm]	Rotating Speed 转速 [r/min]	Effi 效率 [%]	Dia 泵径 [mm]
		额定值	工作范围	额定值	工作范围					
PVT10-4X	8	10	6.5-12	32	25-35	5.5	8	2940	62	92
	10	10	6.5-12	40	32-44	5.5	8	2940	62	92
	12	10	6.5-12	48	38-53	5.5	8	2940	62	92
	14	10	6.5-12	56	44-62	5.5	8	2940	62	92
	16	10	6.5-12	64	51-70	5.5	8	2940	62	92
	18	10	6.5-12	72	57-79	5.5	8	2940	62	92
	20	10	6.5-12	80	64-88	5.5	8	2940	62	92
	22	10	6.5-12	88	70-97	5.5	8	2940	62	92
	24	10	6.5-12	96	76-106	5.5	8	2940	62	92
	26	10	6.5-12	104	83-115	5.5	8	2940	62	92
PVT10-9X	8	10	8-16	72	54-75	5.5	12	2940	62	92
	9	10	8-16	81	61-84	5.5	12	2940	62	92
	10	10	8-16	90	67-93	5.5	12	2940	62	92
	11	10	8-16	99	61-102	7.5	12	2940	62	92
	12	10	8-16	108	81-112	7.5	12	2940	62	92
	13	10	8-16	117	87-121	7.5	12	2940	62	92
	14	10	8-16	126	94-130	7.5	12	2940	62	92
	15	10	8-16	135	101-140	11	12	2940	62	92
	16	10	8-16	144	108-149	11	12	2940	62	92
	17	10	8-16	153	114-158	11	12	2940	62	92
PVT20-11X	4	20	15-24	44	39-48	5.5	12	2940	67	150
	5	20	15-24	55	49-60	5.5	12	2940	67	150
	6	20	15-24	66	59-72	7.5	12	2940	67	150
	7	20	15-24	77	69-84	7.5	12	2940	67	150
	8	20	15-24	88	78-96	11	12	2940	67	150
	10	20	15-24	110	98-120	11	12	2940	67	150
	12	20	15-24	132	118-144	15	12	2940	67	150
	14	20	15-24	154	134-168	15	12	2940	67	150
	5	30	21-36	62.5	51-69	11	8	2940	70	150
	6	30	21-36	75	61-83	11	8	2940	70	150
PVT30-12.5X	7	30	21-36	87.5	71-96	15	8	2940	70	150
	8	30	21-36	100	82-110	15	8	2940	70	150
	9	30	21-36	112.5	92-124	15	8	2940	70	150
	10	30	21-36	125	102-138	18.5	8	2940	70	150
	11	30	21-36	137.5	112-152	18.5	8	2940	70	150
	12	30	21-36	150	123-165	22	8	2940	70	150
13	30	21-36	162.5	133-180	22	8	2940	70	150	

LONG SHAFT DEEP WELL PUMP

PVT SERIES / 长轴深井泵
PVT系列

IX、BASIC PARAMETERS 基本参数

PVT SERIES											
Moder 型号	Stage 级数 [i]	Capacity 流量 [m³/h]		Head 扬程 [Kg]		Motor Power 配套功率 [KW]	String Quantity 串量 [mm]	Rotating Speed 转速 [r/min]	Effi 效率 [%]	Dia 泵径 [mm]	
		额定值	工作范围	额定值	工作范围						
PVT40-13.5X	4	40	30-46	54	50-62	11	8	2940	72	150	
	5	40	30-46	67.5	62-77	15	8	2940	72	150	
	6	40	30-46	81	75-93	15	8	2940	72	150	
	7	40	30-46	94.5	87-108	18.5	8	2940	72	150	
	8	40	30-46	108	100-124	18.5	8	2940	72	150	
	9	40	30-46	121.5	112-139	22	8	2940	72	150	
	10	40	30-46	135	125-155	30	8	2940	72	150	
	11	40	30-46	148.5	137-170	30	8	2940	72	150	
	12	40	30-46	162	150-186	30	8	2940	72	150	
	PVT50-13X	4	50	30-55	52	45-66	11	8	2940	74	150
		5	50	30-55	65	57-82	15	8	2940	74	150
		6	50	30-55	78	69-99	18.5	8	2940	74	150
7		50	30-55	91	80-115	22	8	2940	74	150	
8		50	30-55	104	92-132	22	8	2940	74	150	
PVT60-20X	9	50	30-55	117	103-148	30	8	2940	74	150	
	2	60	40-76	40	30-44	11	9	2940	75	190	
	3	60	40-76	60	45-66	18.5	9	2940	75	190	
	4	60	40-76	80	60-88	22	9	2940	75	190	
	5	60	40-76	100	75-110	30	9	2940	75	190	
	6	60	40-76	120	90-132	37	9	2940	75	190	
	7	60	40-76	140	105-154	37	9	2940	75	190	
PVT80-22.5X	2	80	60-100	45	38-49	15	9	2940	75	190	
	3	80	60-100	67.5	57-73.5	22	9	2940	75	190	
	4	80	60-100	90	76-98	30	9	2940	75	190	
	5	80	60-100	112.5	95-122	37	9	2940	75	190	
PVT90-20X	2	90	67-119	40	28-45	15	10	2940	75	190	
	3	90	67-119	60	43-68	22	10	2940	75	190	
	4	90	67-119	80	57-91	30	10	2940	75	190	
PVT125-18X	5	90	67-119	100	72-114	37	10	2940	75	190	
	1	125	89-142	18	15-22	11	10	2940	76	190	
	2	125	89-142	36	30-43	18.5	10	2940	76	190	
	3	125	89-142	54	45-65	30	10	2940	76	190	
4	125	89-142	72	60-86	37	10	2940	76	190		

PVT

PVT10

PVT20

PVT30

PVT40

PVT50

PVT60

PVT80

PVT90

PVT125

PVT130

PVT160

PVT185

PVT220

PVT300

PVT370

PVT400

PVT450

PVT550

PVT650

PVT900

PVT1000

PVT1250

PVT2000

INSTALLATION
SIZE

LONG SHAFT DEEP WELL PUMP

PVT SERIES / 长轴深井泵 PVT系列

IX、BASIC PARAMETERS 基本参数

PVT SERIES											
Model 型号	Stage 级数 [i]	Capacity 流量 [m³/h]		Head 扬程 [Kg]		Motor Power 配套功率 [KW]	String Quantity 串量 [mm]	Rotating Speed 转速 [r/min]	Effi 效率 [%]	Dia 泵径 [mm]	
		额定值	工作范围	额定值	工作范围						
PVT130-8.5X	5	130	89-150	42.5	35-49	22	10	1460	78	242	
	6	130	89-150	51	42-59	30	10	1460	78	242	
	7	130	89-150	59.5	49-69	37	10	1460	78	242	
	8	130	89-150	68	56-79	37	10	1460	78	242	
	9	130	89-150	76.5	63-89	45	10	1460	78	242	
	10	130	89-150	85	70-99	45	10	1460	78	242	
	11	130	89-150	93.5	77-109	55	10	1460	78	242	
	12	130	89-150	102	84-119	55	10	1460	78	242	
	PVT160-11.5X	3	160	125-200	34.5	28.5-39	22	14	1460	80	295
		4	160	125-200	46	38-52	30	14	1460	80	295
		5	160	125-200	57.5	47.5-65	37	14	1460	80	295
		6	160	125-200	69	57-78	45	14	1460	80	295
7		160	125-200	80.5	66.5-91	55	14	1460	80	295	
8		160	125-200	90	76-104	75	14	1460	80	295	
9		160	125-200	103.5	85.5-117	75	14	1460	80	295	
10		160	125-200	115	95-130	75	14	1460	80	295	
11		160	125-200	126.5	104.5-143	90	14	1460	80	295	
12		160	125-200	138	114-156	90	14	1460	80	295	
PVT185-12X		2	185	130-235	24	18.9-27	18.5	14	1460	80	295
		3	185	130-235	36	28.4-40	30	14	1460	80	295
	4	185	130-235	48	37.8-54	37	14	1460	80	295	
	5	185	130-235	60	47.2-67	45	14	1460	80	295	
	6	185	130-235	72	56.7-81	55	14	1460	80	295	
	7	185	130-235	84	66-94	75	14	1460	80	295	
	8	185	130-235	96	75.6-108	75	14	1460	80	295	
	9	185	130-235	108	85-121	90	14	1460	80	295	
	10	185	130-235	120	94.5-135	90	14	1460	80	295	
	PVT220-13.5X	2	220	154-264	27	22-29	22	12	1460	80	295
		3	220	154-264	40.5	34-44	37	12	1460	80	295
		4	220	154-264	54	45-59	45	12	1460	80	295
5		220	154-264	67.5	57-74	55	12	1460	80	295	
6		220	154-264	81	68-89	75	12	1460	80	295	
7		220	154-264	94.5	79-104	90	12	1460	80	295	
8		220	154-264	108	91-119	90	12	1460	80	295	
PVT300-15X		2	300	230-370	30	23-35	37	12	1460	80	346
		3	300	230-370	45	34.5-52.5	55	12	1460	80	346
		4	300	230-370	60	46-70	75	12	1460	80	346
		5	300	230-370	75	57.5-87.5	90	12	1460	80	346
		6	300	230-370	90	69-105	110	12	1460	80	346
	7	300	230-370	105	80.5-122.5	132	12	1460	80	346	

LONG SHAFT DEEP WELL PUMP

PVT SERIES / 长轴深井泵 PVT系列

IX、BASIC PARAMETERS 基本参数

PVT SERIES										
Model 型号	Stage 级数 [i]	Capacity 流量 [m³/h]		Head 扬程 [Kg]		Motor Power 配套功率 [KW]	String Quantity 串量 [mm]	Rotating Speed 转速 [r/min]	Effi 效率 [%]	Dia 泵径 [mm]
		额定值	工作范围	额定值	工作范围					
PVT370-16X	1	370	270-460	16	11.5-19	30	12	1460	80	346
	2	370	270-460	32	23-38	55	12	1460	80	346
	3	370	270-460	48	34.5-57	75	12	1460	80	346
	4	370	270-460	64	46-76	90	12	1460	80	346
	5	370	270-460	80	57.5-95	110	12	1460	80	346
	6	370	270-460	96	69-114	132	12	1460	80	346
PVT400-18X	1	400	280-480	18	14-20.8	37	12	1460	80	346
	2	400	280-480	36	29-41	55	12	1460	80	346
	3	400	280-480	54	43-62	90	12	1460	80	346
	4	400	280-480	72	58-83	110	12	1460	80	346
	5	400	280-480	90	73-104	132	12	1460	80	346
PVT450-30X	1	450	290-540	30	25-35	55	22	1475	80	430
	2	450	290-540	60	50-70	110	22	1475	80	430
	3	450	290-540	90	75-105	150	22	1475	80	430
	4	450	290-540	120	100-140	200	22	1475	80	430
	5	450	290-540	150	125-175	250	22	1475	80	430
PVT550-27X	1	550	400-850	27	17.5-29	55	20	1475	81	430
	2	550	400-850	54	35-58	110	20	1475	81	430
	3	550	400-850	81	52.5-87	180	20	1475	81	430
	4	550	400-850	108	70-116	225	20	1475	81	430
	5	550	400-850	135	87.5-145	280	20	1475	81	430
PVT650-32X	1	650	520-850	32	22-35	90	20	1475	80	520
	2	650	520-850	64	44-70	180	20	1475	80	520
	3	650	520-850	96	66-105	250	20	1475	80	520
	4	650	520-850	128	88-140	350	20	1475	80	520
	5	650	520-850	160	110-175	400	20	1475	80	520
PVT900-30X	1	900	600-1100	30	24-34	110	20	1475	82	520
	2	900	600-1100	60	48-68	225	20	1475	82	520
	3	900	600-1100	90	72-102	315	20	1475	82	520
	4	900	600-1100	120	96-136	400	20	1475	82	520
	5	900	600-1100	150	120-170	520	20	1475	82	520
PVT1000-29X	1	1000	790-1300	29	21-33	110	20	1475	83	600
	2	1000	790-1300	58	42-66	225	20	1475	83	600
	3	1000	790-1300	87	63-99	350	20	1475	83	600
	4	1000	790-1300	116	84-132	450	20	1475	83	600
PVT1250-30X	1	1250	800-1750	30	18.5-36	150	17	1475	84	600
	2	1250	800-1750	60	37-72	280	17	1475	84	600
	3	1250	800-1750	90	55.5-108	400	17	1475	84	600
	4	1250	800-1750	120	74-144	560	17	1475	84	600
PVT2000-31X	1	2000	1500-2400	31	25-36	250	22	1475	80	670
	2	2000	1500-2400	62	50-72	500	22	1475	80	670

PVT

PVT10

PVT20

PVT30

PVT40

PVT50

PVT60

PVT80

PVT90

PVT125

PVT130

PVT160

PVT185

PVT220

PVT300

PVT370

PVT400

PVT450

PVT550

PVT650

PVT900

PVT1000

PVT1250

PVT2000

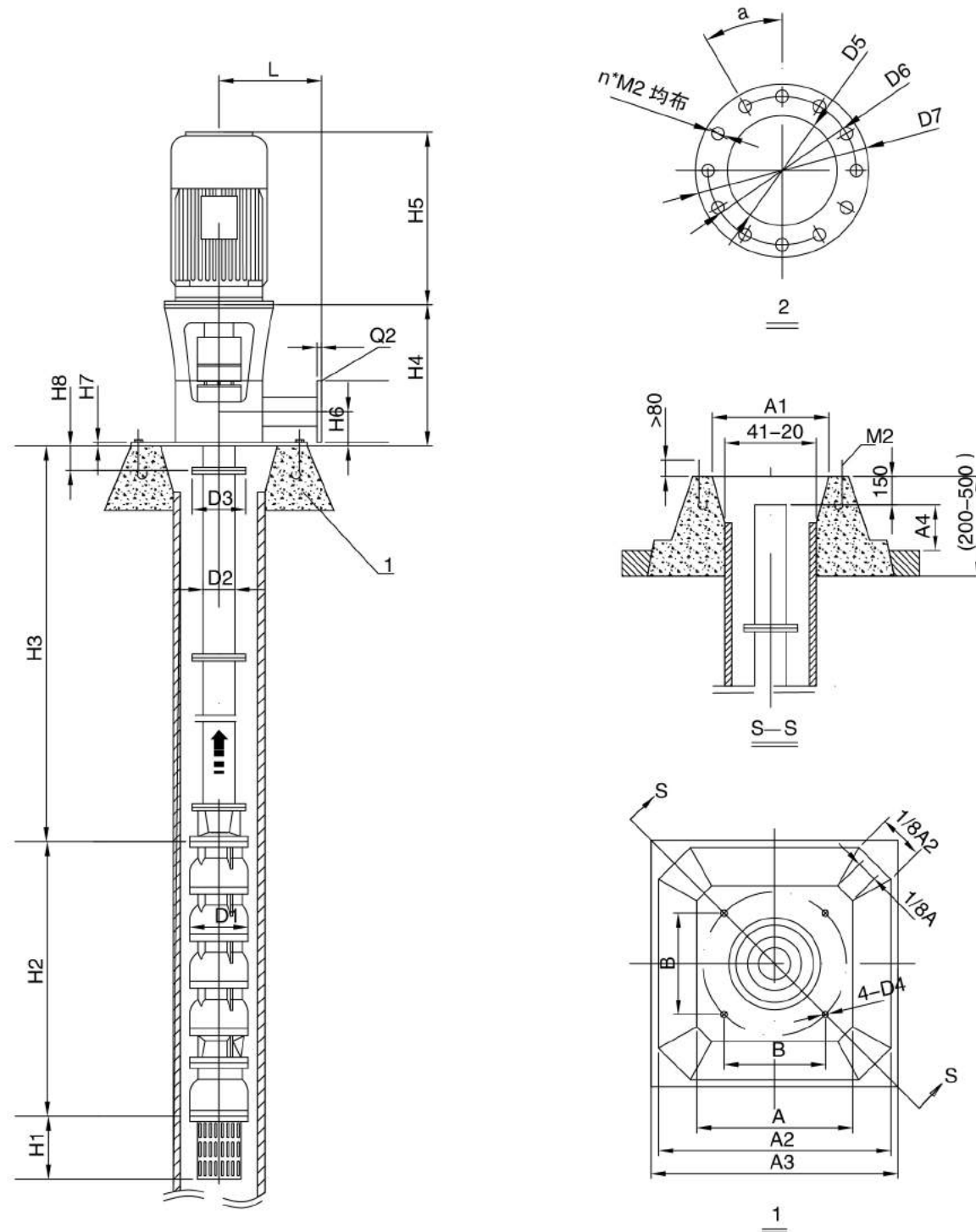
INSTALLATION

SIZE

LONG SHAFT DEEP WELL PUMP

PVT SERIES / 长轴深井泵
PVT系列

X、APPEARANCE AND INSTALLATION SIZE 外型及安装尺寸



LONG SHAFT DEEP WELL PUMP

PVT SERIES / 长轴深井泵
PVT系列

X、APPEARANCE AND INSTALLATION SIZE 外型及安装尺寸

BASIC PARAMETERS 基本参数

Model 型号	Stage 级数	A	B	D1	D2	D3	D4	D5	D6	D7	H1	H2	H3	H4	H5	H6	H7	H8	L	M1	M2	n	Q	a	Base size 基础尺寸			
																									A1	A2	A3	A4
PVT10-4	10	335	251.4	92	76	200	19	102	186	228	306	1175	25944	343	573	127	14	16	228	M16X300	M12	6	19.3	30°	260	610	710	200
	13	335	251.4	92	76	200	19	102	186	228	306	1460	33444	343	573	127	14	16	228	M16X300	M12	6	19.3	30°	260	610	710	200
	18	335	251.4	92	76	200	19	102	186	228	306	1935	45944	343	573	127	14	16	228	M16X300	M12	6	19.3	30°	260	610	710	200
	23	335	251.4	92	76	200	19	102	186	228	306	2410	60944	343	573	127	14	16	228	M16X300	M12	6	19.3	30°	260	610	710	200
PVT10-9	12	235	251.4	150	89	190	19	102	186	228	306	1665	75946	343	573	127	14	16	228	M16X300	M12	6	19.3	30°	260	610	710	200
	16	508	382	150	89	280	19	155	235	280	306	2105	100939	394	807	171.5	25.4	20	305	M16X300	M16	8	25	22.5°	380	760	860	260
PVT20-11	20	508	382	150	89	280	19	155	235	280	306	2545	125939	394	807	171.5	25.4	20	305	M16X300	M16	8	25	22.5°	380	760	860	260
	5	335	251.4	150	89	190	19	102	186	228	200	822	33446	343	573	127	14	16	228	M16X300	M12	6	19.3	30°	260	610	710	200
	7	335	251.4	150	89	190	19	102	186	228	200	1082	45939	343	573	127	14	16	228	M16X300	M12	6	19.3	30°	260	610	710	200
PVT30-12.5	12	508	382	150	89	280	19	155	235	280	200	1732	80939	394	807	171.5	25.4	20	305	M16X300	M16	8	25	22.5°	380	760	860	260
	13	508	382	150	89	280	19	155	235	280	200	1862	85939	394	807	171.5	25.4	20	305	M16X300	M16	8	25	22.5°	380	760	860	260
	6	508	382	150	114	280	19	155	235	280	200	952	45946	394	807	171.5	25.4	20	305	M16X300	M16	8	25	22.5°	380	760	860	260
PVT40-13.5	8	508	382	150	114	280	19	155	235	280	200	1212	60946	394	807	171.5	25.4	20	305	M16X300	M16	8	25	22.5°	380	760	860	260
	10	508	382	150	114	280	19	155	235	280	200	1472	75929	394	850	171.5	25.4	20	305	M16X300	M16	8	25	22.5°	380	760	860	260
	12	508	382	150	114	280	19	155	235	280	200	1732	90929	394	850	171.5	25.4	20	305	M16X300	M16	8	25	22.5°	380	760	860	260
	4	508	382	150	114	280	19	155	235	280	200	692	33435	394	807	171.5	25.4	20	305	M16X300	M16	8	25	22.5°	380	760	860	260
PVT50-13	6	508	382	150	114	280	19	155	235	280	200	952	47595	394	807	171.5	25.4	20	305	M16X300	M16	8	25	22.5°	380	760	860	260
	8	508	382	150	114	280	19	155	235	280	200	1212	65935	394	850	171.5	25.4	20	305	M16X300	M16	8	25	22.5°	380	760	860	260
	9	508	382	150	114	280	19	155	235	280	200	1342	73435	394	850	171.5	25.4	20	305	M16X300	M16	8	25	22.5°	380	760	860	260
PVT60-20	10	508	382	150	114	280	19	155	235	280	200	1472	80935	454	955	171.5	25.4	20	305	M16X300	M16	8	25	22.5°	380	760	860	260
	4	508	382	150	114	280	19	155	235	280	200	662	30935	394	607	171.5	25.4	20	305	M16X300	M16	8	25	22.5°	380	760	860	260
	5	508	382	150	114	280	19	155	235	280	200	792	38435	394	607	171.5	25.4	20	305	M16X300	M16	8	25	22.5°	380	760	860	260
PVT80-22.5	6	508	382	150	114	280	19	155	235	280	200	922	45935	394	850	171.5	25.4	20	305	M16X300	M16	8	25	22.5°	380	760	860	260
	7	508	382	150	114	280	19	155	235	280	200	1052	53435	394	850	171.5	25.4	20	305	M16X300	M16	8	25	22.5°	380	760	860	260
	8	508	382	150	114	280	19	155	235	280	200	1182	63435	394	850	171.5	25.4	20	305	M16X300	M16	8	25	22.5°	380	760	860	260
	9	508	382	150	114	280	19	155	235	280	200	1312	70935	454	955	171.5	25.4	20	305	M16X300	M16	8	25	22.5°	380	760	860	260
PVT1000	2	508	382	181	159	280	19	155	235	280	365	534	23435	394	807	171.5	25.4	20	305	M16X300	M16	8	25	22.5°	380	760	860	260
	3	508	382	181	159	280	19	155	235	280	365	696	35935	394	850	171.5	25.4	20	305	M16X300	M16	8	25	22.5°	380	760	860	260
	4	508	382	181	159	280	19	155	235	280	365	858	48435	394	850	171.5	25.4	20	305	M16X300	M16	8	25	22.5°	380	760	860	260
PVT2000	5	508	382	181	159	280	19	155	235	280	365	1020	60935	454	955	171.5	25.4	20	305	M16X300	M16	8	25	22.5°	380	760	860	260
	6	508	382	181	159	280	19	155	235	280	365	1182	70935	454	955	171.5	25.4	20	305	M16X300	M16	8	25	22.5°	380	760	860	260
	7	508	382	181	159	280	19	155	235	280	365	1344	83435	454	955	171.5	25.4	20	305	M16X300	M16	8	25	22.5°	380	760	860	260
PVT2000	2	508	382	181	159	280	19	155	235	280	365	534	25935	394	807	171.5	25.4	20	305	M16X300	M16	8	25	22.5°	380	760	860	260
	3	508	382	181	159	280	19	155	235	280	365	696	40935	394	850	171.5	25.4	20	305	M16X300	M16	8	25	22.5°	380	760	860	260
	4	508	382	181	159	280	19	155	235	280	365	858	53435	454	955	171.5	25.4	20	305	M16X300	M16	8	25	22.5°	380	760	860	260
5	508	382	181	159	280	19	155	235	280	365	1020	68435	-	-	171.5	25.4	20	305	M16X300	M16	8	25	22.5°	380	760	860	260	

PVT
PVT10
PVT20
PVT30
PVT40
PVT50
PVT60
PVT80
PVT90
PVT125
PVT130
PVT160
PVT185
PVT220
PVT300
PVT370
PVT400
PVT450
PVT550
PVT650
PVT900
PVT1000
PVT1250
PVT2000
INSTALLATION SIZE

