

沉水式污水泵  
SUBMERGED SEWAGE PUMP



联系我们

| [WWW.U-FLO.CN](http://WWW.U-FLO.CN)

**营销中心 Marketing Center**

ADD: 南京市江宁区清水亭西路51号-南京俊杰科创大厦9楼(211102)  
Floor No.9, Nanjing Junjie Kechuang Building, No.51 Qingshui Ting West Road, Jiangning District, Nanjing (211102).  
TEL: (86) 25-52231105 / 52230907 / 52230921 / 84846376 FAX: (86) 25-52230912

**生产中心 Production Center**

ADD: 南京市溧水经济开发区南区罗马工业园18号 (211200)  
18# Rome Industry Park, Southern District, Lishui Economic Development Zone, Nanjing  
TEL: (86) 25-56610801 / 56610802 / 56610803 / 56610805 / 56610815 FAX: (86) 25-56610806

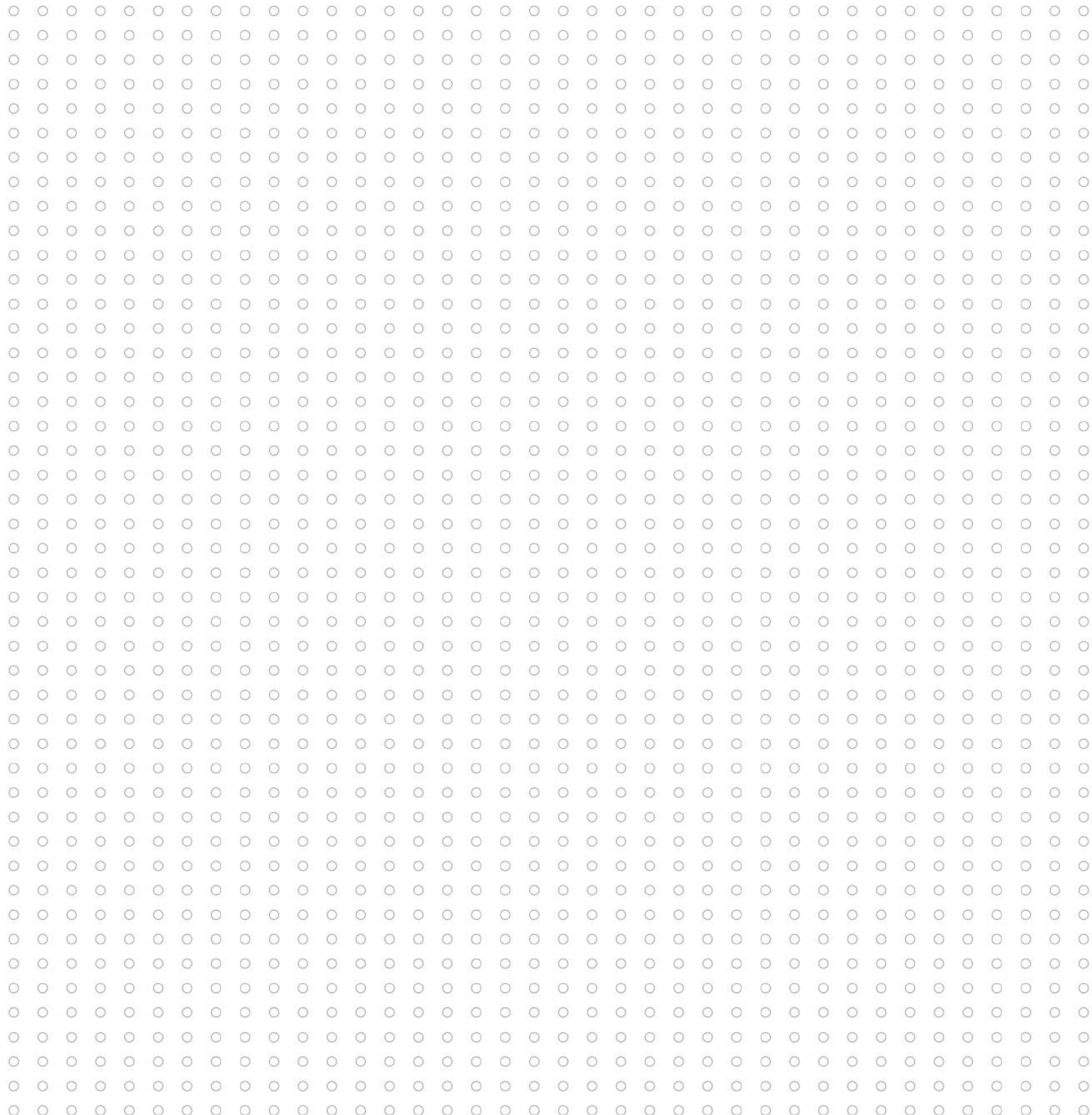
销售服务热线: 400-100-8486 售后服务热线: 400-108-8170

南京方卓品牌设计 | [www.njzad.com](http://www.njzad.com)

PVQ/PVQP/PVQS  
SUBMERGED  
SEWAGE  
PUMP



# Contents 目录



## 03/04 COMPANY PROFILE 公司介绍

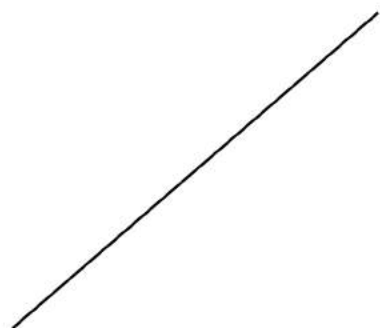
U.S. U-flo  
美国尤孚  
U-flo in China  
尤孚中国

## 05/22 PRODUCTS 产品介绍

SUBMERGED SEWAGE PUMP PVQ/SPVQ/SSPVQ series  
沉水式污水泵 PVQ/SPVQ/SSPVQ 系列  
SUBMERGED SEWAGE PUMP PVQP series  
沉水式污水泵 PVQP 系列  
SUBMERGED SEWAGE PUMP PVQS/PVQN series  
沉水式污水泵 PVQS/PVQN 系列

## 23/24 OTHERS 其他

THECHNOLOGY INDEX  
技术索引







## U-FLO U.S. 美国尤孚

U-flo Pumps International LLC is a global water pump manufacturing and marketing company registered in Washington, USA. Our cooperated manufacturing facilities are located in Italy, Taiwan and China. Our primary products include Deep-well Pumps, Above-ground Pumps, Sewage Pumps, Pumping Systems. They are widely used in power plants, paper mills, steel plants, agriculture irrigations, construction trades, industrial applications, mining operations, municipal utilities as well as oil/gas fields.

Integrity, Innovation, International

Since the first U-FLO water pump was manufactured, our people have been making unremitting endeavor to improve designs of the U-FLO water pump products. We apply the best industry practices and the best suitable materials for key components to the design and manufacturing of our pumps.

In addition to our state of art manufacturing facilities, we put a big effort on pump testing. Every product undergoes a rigorous testing and inspection process before being shipped to our customers. Our test facility incorporates a 12000 cubic meter (52,834 gallon) closed loop system with testing capacity of up to 600m<sup>3</sup>/h (2640GPM) with the maximum head of 200m (656ft), and 250 horsepower (dual voltages of 50Hz and 60Hz). Following a strict quality management system, all of our facilities are ISO 9001 and ISO 4001 certified.

Water is a vital part of our natural resources. While we always pursue the excellence of our products and services, we also take every step to promote environment-friendly and energy-saving solutions.

As a global pump manufacturer and supplier, U-FLO is committed to producing the finest water pumps in the world and continues to lead the way forward in the pumping industry.



Advanced international fluid equipment supplier!

国际先进流体设备供应商!

U-flo泵业国际有限公司是一家注册于美国华盛顿州的全球化水泵制造销售公司。我们在意大利、台湾和中国大陆均有合作制造工厂。我们主要产品包括深井泵、地面泵、污水泵和供水设备。产品广泛应用于电厂、造纸厂、钢厂、农业灌溉、建筑、工业应用、矿山、市政以及油田领域。

诚信、创新、国际化

自第一台U-flo水泵出厂以来，我们一直不懈努力，致力于改进U-flo水泵的设计。我们以最高的行业要求和最佳材料设计和制造水泵。

在严抓工艺水平的同时，我们还致力于水泵的测试。每一台水泵在出厂前均需要经过严格的测试和检验。我们的测试台含12000立方米(52,834加仑)闭式循环系统，最大测试流量达600m<sup>3</sup>/h(2640GPM)，最高扬程为200m(656ft)，250马力(双电压50Hz、60Hz)。按照严格的质量管理体系，我们所有的工厂均通过ISO9001和ISO14001认证。

水是自然资源的重要组成部分，我们在追求卓越的产品和服务的同时，亦在努力推广环保和节能解决方案。

作为全球水泵制造商和供应商，U-flo致力于生产全球最好的水泵，成为水泵行业的领跑者。



## U-FLO IN CHINA 尤孚在中国

Nanjing U-flo Pumps Co., Ltd, the fifth manufacturing facility of U-flo Pumps International LLC worldwide, is a water pump and water system product manufacturing company. Our facility is located in Lishui economic development zone, Nanjing. The first phase project occupies 20,000 square meters. Based on abundant resources of U-flo International, our facility introduces advanced technology from U-flo companies in Italy, Japan, India and Taiwan. In China, we focus on manufacturing deep-well submersible pump, stainless steel submersible pump, long shaft deep-well pump, surface pump and sewage pump. Meanwhile, research and develop high-tech water supply equipment according to domestic market demand. They are widely used in industrial, commercial, municipal, construction, fire fighting, fountain and hot spring applications.

**Integrity**, the foundation of enterprise survival. Our facility passed ISO9001, ISO14001 certificate, implement ERP information management, technology data electronic analysis and stock electronic management, has got national industrial production license, the qualification as an I/E enterprise. Lots of approvals and awarded with the social honors such as: Jiangsu Quality Reliable Enterprise, Jiangsu High-tech SME, Nanjing Private Science & Technology Enterprise, CCMSA members and Designated Production Enterprise of Stainless Steel Fountain Pump.

**Innovation**, the foundation of enterprise development. Our facility invested 8 million Yuan for R&D building construction, machining and testing equipment procurement. Cooperated with Jiangsu University, we developed advanced pump testing filed. We also established long term cooperating relationship with Hohai University in order to strengthen technical team construction and high quality talents training. At present, our independently developed Smart Mute Pipe Network Additive-pressure Water Supply Equipment has certified as Jiangsu High Tech Product. We also owned many patents and striving to build postdoctoral research station and engineering technology research center.

**International**, the foundation of expansion. We focus on establish globally procurement system, introduce advanced technology and bring excellent products to China market. With the steady development of U-flo Pumps, our products are greatly recognized by customers and adopted in lots of domestic and foreign projects: Saudi Arabia MADUN project (the biggest phosphorization project worldwide), North Korea copper mine project, Shanghai Expo, Shenzhen Universiade, Shenzhen Happy Valley, Xiang'an Tunnel, Pankou Xiaoxuan Hydroelectric Power Station, Huaneng Power Plant, Datang Power Group, Xuzhou Mine Group, Yankuang Mine Group, CNOOC, CNPC, Sinopec etc.

For the future, U-flo Pumps focus on develop more energy-saving, environmental friendly and cost effective water pump and water system products, devote to growing into a professional, comprehensive and advanced fluid equipment supplier.

南京尤孚泵业有限公司，是一家专业生产高品质水泵及水系统产品的科技型企业，是尤孚泵业国际有限公司合作建设的全球第五家工厂。公司地处南京溧水经济开发区，一期工程占地两万平方米。依托尤孚国际泵业的有力资源，公司有效引进尤孚意大利、日本、印度、台湾工厂的先进制造技术，在中国实现深井潜水泵、大流量高扬程不锈钢潜水泵、长轴深井泵、地面泵和污水泵的组装和制造。同时，根据国内市场需求，研发并生产高科技供水成套设备。产品广泛用于工业、商业、市政、建筑、消防、喷泉和温泉等行业。

诚信，企业生存之本。公司通过了ISO9001质量体系、ISO14001环境体系认证，已实现ERP信息化办公管理，产品技术数据电子化分析，产品库存电子化管理。先后获得了全国工业产品生产许可证，卫生许可批件，进出口企业资格等生产经营资质，并获得了“江苏质量诚信3A级品牌企业”、“江苏省科技型中小企业”、“南京市民营科技企业”等荣誉称号，后经中国建筑金属结构协会批准，成为“给水热水专业委员会会员单位”，“喷泉水景委员会会员单位”，“不锈钢喷泉用潜水电泵定点生产企业”。

创新，企业发展之本。自投产以来，公司先后投入800万元新建研发大楼，购进各类机加工、测试设备，与江苏大学合作，研制开发了国内领先的水泵测试台，与河海大学建立产学研合作联盟，重点打造精良的科技队伍，加强科技人才引进和培养，形成以自主知识产权为核心的科技体系，实现科技成果产业化。目前，公司自主研发的智能静音管网叠压供水设备获“江苏省高新技术产品”认定证书，拥有多项发明专利，并将重点打造博士后流动站，工程技术研究平台。

国际化，企业强大之本。公司致力于建立全球化采购体系，引进国际先进技术，将最优质的产品投放中国市场。随着尤孚发展，尤孚产品得到了用户的广泛认可。目前，尤孚产品遍布：沙特MADUN项目(全世界最大磷化项目)、中矿国际朝鲜铜矿项目、上海世博会、深圳大运会、深圳欢乐谷、翔安隧道、潘口小水电站、华能电厂、大唐电力集团、徐矿、兖矿、中海油、中石油、中石化等国内外项目。

面向未来，尤孚泵业专注于研发更加节能、环保、性价比更高的水泵及水系统产品，致力于成长为专业化、全面化的国际先进流体设备供应商。

U-FLO – RELIABLE BRAND!

U-flo—可信赖的品牌!





## Design & production 设计和制造

Design and production are all made internally at U-flo's facilities, with a quality and process systems in accordance to the ISO9001 standards; as a further results of its environmental orientation, U-flo, in the 2011, got the ambitious ISO14001 Certificate proving that its production processes comply with the very strict rules imposed by the ISO14001 Certificate.

U-flo自主设计和制造, 质量及生产系统符合ISO9001标准。更因为U-flo准确的环境定位, 2011年获得ISO14001认证, 充分证明生产过程符合ISO14001标准。

## Introduction 产品概述

Introduced of foreign advanced technology and combined with features of domestic pumps, the new sewage pump features with energy saving, winding preventing, no blocking, automatic install and control and unique in solids and long-fiber waste handling. The unique impeller structure and latest mechanical seal ensure high efficiency in solids and long-fiber waste delivery.

PVQ 系列污水泵产品是尤孚泵业研制成功的新一代泵类产品, 具有节能效果显著, 防缠绕, 无堵塞, 自动安装和自动控制等特点。在推送固体颗粒和长纤维垃圾方面, 具有独特效果。采用独特叶轮结构和新型机械密封, 能有效地输送含有固体物和长纤维。

U-FLO reserves the right to make modifications without notice.

U-FLO 有权对产品进行修改, 恕不另行通知。





## SUBMERGED SEWAGE PUMP PVQ SERIES

SUBMERGED  
PUMPS SEWAGE  
PVQ

## I、Application

- 1.Sewage water lifting station,tap water pump station
- 2.Sewage treatment plant
- 3.Industrial sewage & waste water treatment such as oil field, power plant, steel plant
- 4.Domestic sewage treatment & waste water drainage, such as hospital, school, building, metro & tunnel
- 5.Industrial waste water treatment system, such as food, paper mills, mining, leather, chcmical plant
- 6.Municipal use for emergency & draijage system
- 7.Seawage lifting & mariculture

- 1.污水提升泵站，自来水加压泵站
- 2.污水处理厂
- 3.油田、电厂、钢厂等工业污水、废水处理
- 4.医院、学校、建筑、地铁、隧道工程等污水处理、废水排放
- 5.食品、造纸、采矿、皮革化工等工业废水处理系统
- 6.市政抢险、市政排放系统
- 7.海水提升、海水养殖

## II、MODEL DESCRIPTION 型号说明

S / SS PVQ / PVQT 37 300

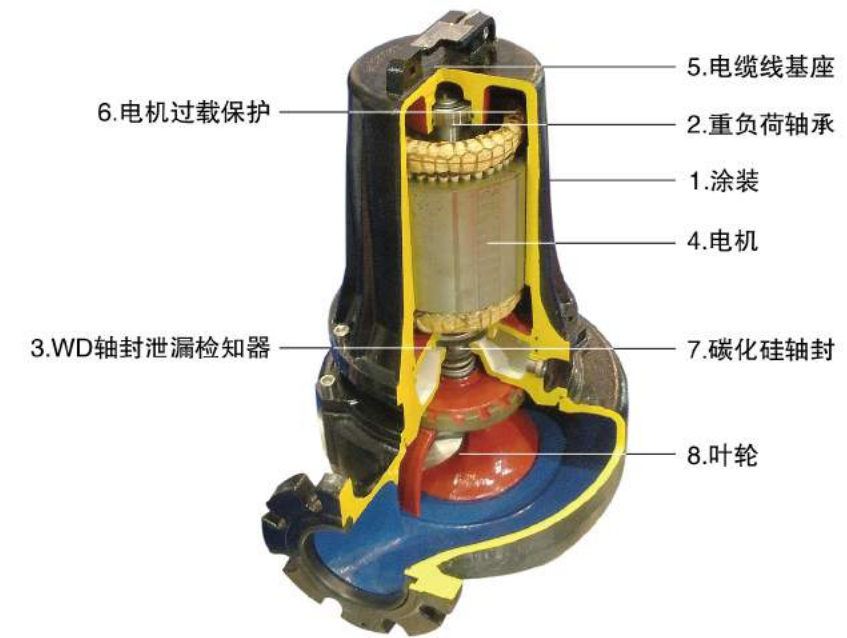
OUTLET DIAMETER [mm]	出口口径
RATED POWER [Kw]	额定功率
PVQ: STANDARD CAST IRON TYPE	标准铸铁型式
PVQT: SELF-COUPLED TYPE	自耦合型式
S: 304 SS	铸造全不锈钢型式
SS: 316 SS	铸造全不锈钢型式



## SUBMERGED SEWAGE PUMP

PVQ SPVQ SSPVQ / 沉水式污水泵  
PVQ SPVQ SSPVQ

## III、FEATURES 特点



1. Painting: Epoxy Resin and special hardener coated appearance prevents liquid corrosion and ensures excellent protection.
2. Heavy duty bearing: Adopt imported heavy duty bearing which ensures a longer service life. The design complies with the following standard: bearing dimension, rated load, operating environment.
3. WD shaft seal leakage sensor: Reduce maintenance cost. Equip WD shaft seal leakage sensor on double mechanical seal. When the shaft seal broke, the leakage sensor transfers signal to control panel, thus can maintain the shaft seal and other broken parts before water flow into motor and cause electric leakage.
4. Motor: Through strict quality management process, impregnated by varnish and 8-hour drying, motor reaches excellent insulation protection and ensures long operation without fault.
5. Cable support: Motor connecting part strengthens water proof. Core wire is treated by hardened Epoxy which prevents water into motor through cable. Totally meet the requirement of leakage proof and moisture proof.
6. Motor overload protection: Equip MPT mini temperature protector. When motor temperature rise abnormally, the protector will trip automatically and transfer signal to control panel, thus prevent motor failure.
7. silicon carbide: Adopt silicon carbide shaft seal. Advanced material has good wear resistance and heat resistance. Better lubrication, adorable and water proof.
8. Impeller Non block design, Big centrifugal channel type, high efficiency and performance, large particle passage, which can solve all sewage drainage problem.

1. 涂装: 水泵的表面以厚实 Epoxy Resin 及特殊硬化剂涂装处理, 能抵挡液体腐蚀, 给予外表较佳的保护。
2. 重负荷轴承: 采用进口重负荷轴承、可延长使用寿命、设计符合以下规格: 轴承尺寸、基本额定负载、使用环境。
3. WD 轴封泄漏检知器: 在双组式机械轴封上部, 装置 WD 轴封泄漏检知器, 感应轴封损坏进水时, 将讯号传导到控制盘显示, 所以在马达未进水漏电前, 提前修复轴封等损部位, 可大幅降低维修成本。
4. 电机: 电机通过严谨的品管程序, 再经过凡立水树脂含浸和前后 8 小时的烘干, 达到最佳的绝缘保护, 可提供长时间无问题的运转。
5. 电缆线基座: 电机接线部分加强防水效果, 同时芯线部分也以硬化树脂 Epoxy 处理, 防止水气从电缆线进入电机, 完全达到防漏, 防潮湿要求。
6. 电机过载保护: 装置 MPT 迷你温度保护器, 当电机异常温度上升会自动跳脱, 并将讯号传导到控制盘显示, 防止电机烧毁。
7. 碳化硅轴封: 先进的碳化硅材质, 耐磨损、耐热性优异。润滑性更佳, 经久耐用, 全面防水。
8. 叶轮: 不阻塞叶轮设计, 离心大通道式, 高性能、高效率, 超大粒径通道, 能解决一切污物排水问题。

PVQ

SPVQ

SSPVQ

PVQP

PVQS

PVQN

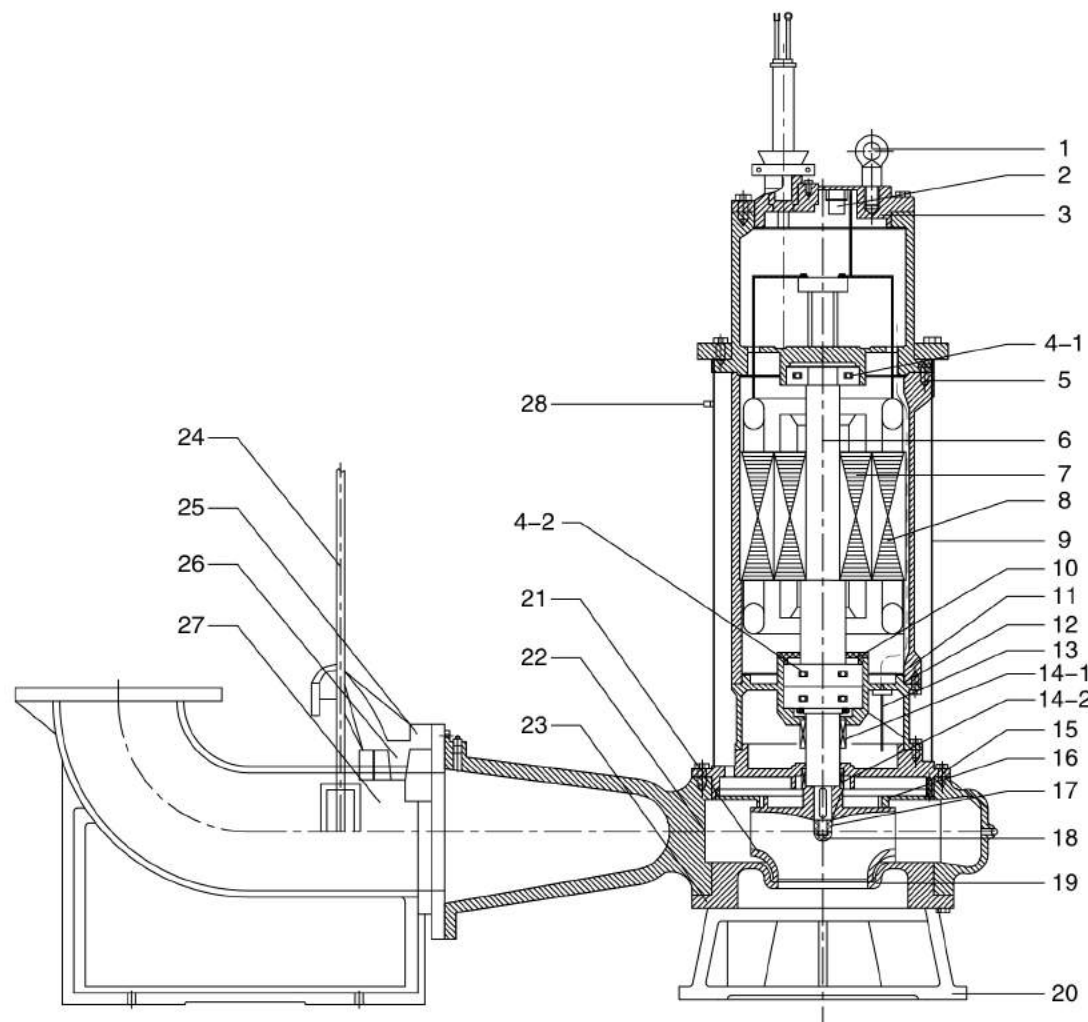
OTHERS



# SUBMERGED SEWAGE PUMP

PVQ SPVQ SSPVQ / 沉水式污水泵  
PVQ SPVQ SSPVQ

## IV、PUMP CONSTRUCTION & MATERIAL 水泵结构及材质



名称	标准型PVQ	304型SPVQ	316型SSPVQ	名称	标准型PVQ	304型SPVQ	316型SSPVQ
1 吊环	SUS420	SUS420	SUS420	14-2 机械密封	SIC-SIC	SIC-SIC	SIC-SIC
2 过热保护器	-	-	-	15 油箱	FC200	SUS-304	SUS-316
3 马达盖	FC200	SUS304	SUS316	16 油箱底盖	FC200	SUS-304	SUS-316
4-1 轴承	-	-	-	17 止推垫圈	SUS304	SUS-304	SUS-304
4-2 轴承	-	SUS304	SUS316	18 锁紧螺母	FC200	SUS-304	SUS-304
5 水冷套法兰	SS34	-	-	19 密封环	LBC2	SUS-304	SUS-304
6 主轴	SUS420	SUS-420	SUS-420	20 滤网底座	FC200	SUS-304	SUS-316
7 转子	-	-	-	21 叶轮	FC200	SUS-304	SUS-316
8 定子	-	-	-	22 泵体	FC200	SUS-304	SUS-316
9 水冷夹套	SUS304	SUS-304	SUS-316	23 泵体底盖	FC200	SUS-304	SUS-316
10 轴承压盖	FC200	SUS-304	SUS-316	24 引导管	SS34	SUS-304	SUS-304
11 马达本体	FC200	SUS-304	SUS-316	25 配合凸缘	FC200	SUS-304	SUS-304
12 中承座	FC200	SUS-304	SUS-316	26 引导板	FC200	SUS-304	SUS-304
13 漏水检知器	-	-	-	27 着脱	FC200	SUS-304	SUS-304
14-1 机械密封	CERAMIC-CARBON	SIC-SIC	SIC-SIC	28 出水口	SS34	SUS-304	SUS-304

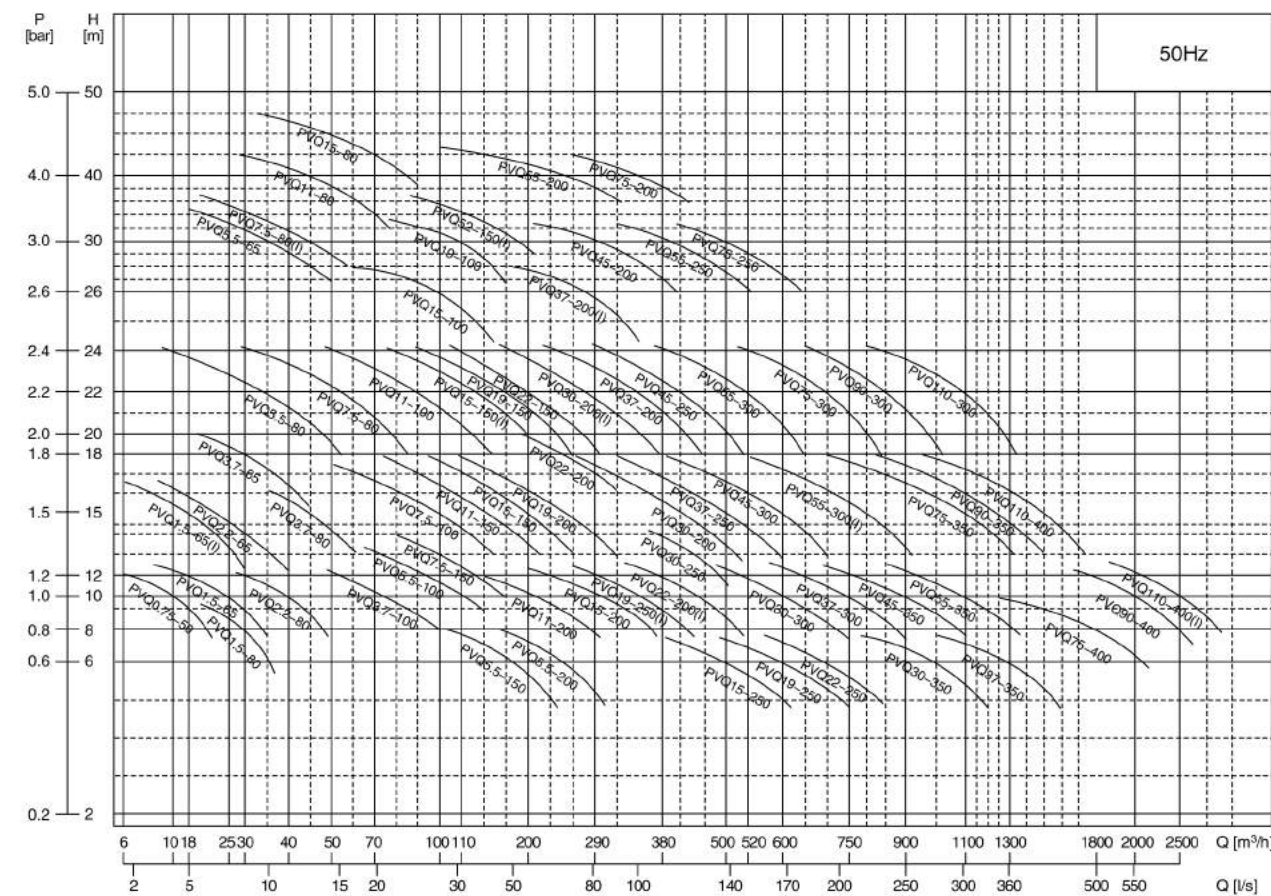
# SUBMERGED SEWAGE PUMP

PVQ SPVQ SSPVQ / 沉水式污水泵  
PVQ SPVQ SSPVQ

## V、SELECTION OF SOLID HANDLING 污物通过选择表

MODEL 型号	DIAMETER 口径 [mm]									
	2"	3"	4"	6"	8"	10"	12"	14"	16"	20"
	50A	80A	100A	150A	200A	250A	300A	350A	400A	500A
Diameter of waste (Including Granule and Blocks) 污物直径	30-35	39-56	42-63	45-72	60-90	75-113	76-130	70-140	90-200	130-220
Length of Belt-Shaped Waste (Including Fiber, Piecegoods) 带状污物长度 (含纤维片状物质)	120	190	240	320	360	400	450	500	520	550

## VI、PERFORMANCE CHART 型谱图



# SUBMERGED SEWAGE PUMP

PVQ SPVQ SSPVQ / 沉水式污水泵  
PVQ SPVQ SSPVQ

## VII、PERFORMANCE PARAMETERS 性能参数

MODEL 型号	SPEED 转速	CAPACITY 流量	HEAD 扬程	EFF 效率	MOTOR POWER 电机功率	DIA 口径	WEIGHT 重量
	[r/min]	[m³/h]	[m]	[%]	[Kw]	[mm]	[Kg]
S(S)PVQ(T)0.75-50	1450	10	10	50	0.75	50	50
S(S)PVQ(T)1.5-65	1450	25	10	60	1.5	65	60
S(S)PVQ(T)1.5-65(1)	1450	18	15	60	1.5	65	70
S(S)PVQ(T)2.2-65	1450	23	15	60	2.2	65	70
S(S)PVQ(T)3.7-65	1450	30	18	55	3.7	65	130
S(S)PVQ(T)5.5-65	1450	26	33	45	5.5	65	190
S(S)PVQ(T)1.5-80	1450	30	8.5	60	1.5	80	60
S(S)PVQ(T)2.2-80	1450	40	10	60	2.2	80	70
S(S)PVQ(T)3.7-80	1450	45	15	62	3.7	80	130
S(S)PVQ(T)5.5-80	1450	35	22	55	5.5	80	180
S(S)PVQ(T)7.5-80	1450	55	22	62	7.5	80	200
S(S)PVQ(T)7.5-80(1)	1450	36	33	50	7.5	80	240
S(S)PVQ(T)11-80	1450	45	40	60	11	80	320
S(S)PVQ(T)15-80	1450	50	45	51	15	80	360
S(S)PVQ(T)3.7-100	1450	75	10	70	3.7	100	130
S(S)PVQ(T)5.5-100	1450	95	12	68	5.5	100	208
S(S)PVQ(T)7.5-100	1450	100	15	70	7.5	100	250
S(S)PVQ(T)11-100	1450	90	22	68	11	100	295
S(S)PVQ(T)15-100	1450	100	26	65	15	100	300
S(S)PVQ(T)19-100	1450	110	30	66	18.5	100	350
S(S)PVQ(T)5.5-150	1450	180	6	73	5.5	150	210
S(S)PVQ(T)7.5-150	1450	130	12	70	7.5	150	230
S(S)PVQ(T)11-150	1450	145	15	72	11	150	270
S(S)PVQ(T)15-150	1450	200	15	74	15	150	300
S(S)PVQ(T)15-150(1)	1450	130	22	70	15	150	300
S(S)PVQ(T)19-150	1450	170	22	73	18.5	150	350
S(S)PVQ(T)22-150	1450	200	22	73	22	150	380
S(S)PVQ(T)22-150(1)	1450	135	30	69	22	150	380
S(S)PVQ(T)7.5-200	1450	250	6	72	7.5	200	230
S(S)PVQ(T)11-200	1450	210	10	70	11	200	270
S(S)PVQ(T)15-200	1450	300	10	72	15	200	300
S(S)PVQ(T)19-200	1450	250	15	75	18.5	200	350
S(S)PVQ(T)22-200	1450	250	18	72	22	200	380
S(S)PVQ(T)22-200(1)	1450	450	10	72	22	200	480

# SUBMERGED SEWAGE PUMP

PVQ SPVQ SSPVQ / 沉水式污水泵  
PVQ SPVQ SSPVQ

## PERFORMANCE PARAMETERS 性能参数

MODEL 型号	SPEED 转速	CAPACITY 流量	HEAD 扬程	EFF 效率	MOTOR POWER 电机功率	DIA 口径	WEIGHT 重量
	[r/min]	[m³/h]	[m]	[%]	[Kw]	[mm]	[Kg]
S(S)PVQ(T)30-200	980	420	15	76	30	200	950
S(S)PVQ(T)30-200(1)	980	280	22	74	30	200	900
S(S)PVQ(T)37-200	980	350	22	75	37	200	1100
S(S)PVQ(T)37-200(1)	980	280	26	70	37	200	1100
S(S)PVQ(T)45-200	980	300	30	72	45	200	1420
S(S)PVQ(T)45-200(1)	980	250	35	67	45	200	1280
S(S)PVQ(T)55-200	980	250	40	65	55	200	1500
S(S)PVQ(T)55-200(1)	980	400	30	76	55	200	1500
S(S)PVQ(T)75-200	980	350	40	70	75	200	1650
S(S)PVQ(T)75-200(1)	980	700	22	78	75	250	1700
S(S)PVQ(T)75-200(2)	990	600	25	69	75	250	1750
S(S)PVQ(T)15-250	1450	500	6	71	15	250	460
S(S)PVQ(T)19-250	1450	600	6	71	18.5	250	520
S(S)PVQ(T)19-250(1)	1450	350	10	71.4	18.5	250	550
S(S)PVQ(T)22-250	1450	700	6	73	22	250	650
S(S)PVQ(T)30-250	980	460	13	75	30	250	980
S(S)PVQ(T)37-250	980	500	15	77	37	250	1450
S(S)PVQ(T)45-250	980	420	22	76	45	250	1500
S(S)PVQ(T)55-250	980	400	30	76	55	250	1600
S(S)PVQ(T)55-250(1)	980	600	20	70	55	300	1380
S(S)PVQ(T)75-250	980	500	30	76	75	250	1650
S(S)PVQ(T)90-250	990	600	30	70	90	250	2000
S(S)PVQ(T)110-250	990	700	33	73	110	250	2200
S(S)PVQ(T)30-300	980	600	10	75	30	300	1500
S(S)PVQ(T)37-300	980	750	10	77	37	300	1550
S(S)PVQ(T)45-300	980	600	15	78	45	300	1600
S(S)PVQ(T)45-300(1)	980	1260	8	75	45	300	1280
S(S)PVQ(T)55-300	980	520	22	78	55	300	1650
S(S)PVQ(T)55-300(1)	980	800	15	79	55	300	1650
S(S)PVQ(T)75-300	980	700	22	78	75	300	1700
S(S)PVQ(T)90-300	980	850	22	79	90	300	1800
S(S)PVQ(T)110-300	980	1100	22	79	110	300	2000
S(S)PVQ(T)110-300(1)	980	950	24	80	110	300	2200
S(S)PVQ(T)30-350	980	1000	6	75	30	350	1500
S(S)PVQ(T)37-350	980	1300	6	77	37	350	1550
S(S)PVQ(T)45-350	980	900	10	75	45	350	1650
S(S)PVQ(T)55-350	980	1100	10	75	55	350	1700
S(S)PVQ(T)75-350	980	1100	15	78	75	350	1800
S(S)PVQ(T)90-350	980	1250	15	78	90	350	1860
S(S)PVQ(T)90-350(1)	990	1500	15	80	90	350	2000
S(S)PVQ(T)132-350	740	1085	28	67	132	350	2500
S(S)PVQ(T)160-350	740	1000	36	61	160	350	2880
S(S)PVQ(T)75-400	980	1800	B	76	75	400	2000
S(S)PVQ(T)90-400	980	2000	10	80	90	400	2200
S(S)PVQ(T)110-400	980	1500	15	76	110	400	2400
S(S)PVQ(T)110-400(1)	980	2500	10	80	110	400	2600

PVQ

SPVQ

SSPVQ

PVQP

PVQS

PVQN

OTHERS

# SUBMERGED SEWAGE PUMP

PVQ SPVQ SSPVQ / 沉水式污水泵  
PVQ SPVQ SSPVQ

## VIII、INSTALLATION DIMENSIONS 外形及安装尺寸

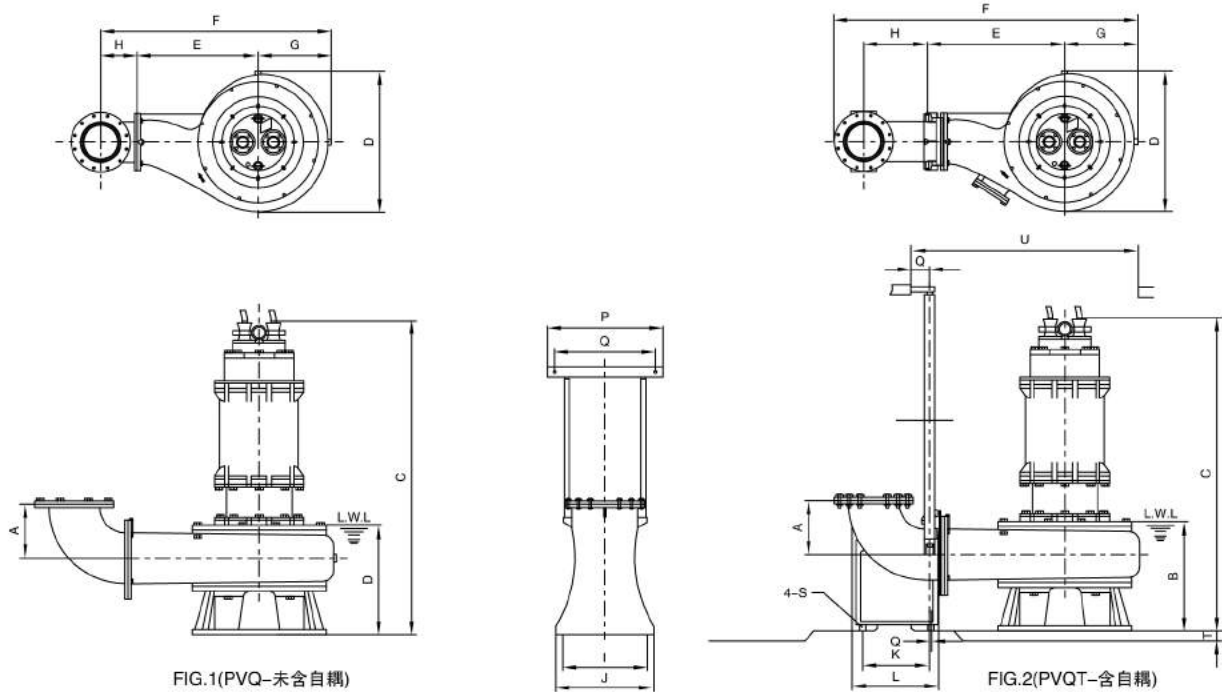


FIG.1(PVQ-未含自耦)

FIG.2(PVQT-含自耦)

MODEL 型号	FIG	A	B	C	D	E	F	G	H
[mm]									
S(S)PVQ0.75-50	1	95	313	657	236	164	371.5	117.5	90
S(S)PVQ1.5-65	1	103	350	651	307.5	200	440	152.5	87.5
S(S)PVQ1.5-65(1)	1	103	186	631	318	270	516	159	88
S(S)PVQ2.2-65	1	103	350	790	330	250	497.5	160	87.5
S(S)PVQ3.7-65	1	103	400	790	376	285	560.5	188	87.5
S(S)PVQ5.5-65	1	103	222	872	425	350	668	210	108
S(S)PVQ1.5-80	1	130	176	608	308	220	465	153	93
S(S)PVQ2.2-80	1	130	164	687	308	220	465	153	93
S(S)PVQ3.7-80	1	130	239	796	369	254	529	182	93
S(S)PVQ5.5-80	1	130	400	806	376	285	565.5	188	92.5
S(S)PVQ7.5-80	1	130	400	875	388	320	609.5	197	92.5
S(S)PVQ7.5-80(1)	1	130	222	879	425	350	673	210	113
S(S)PVQ11-80	1	130	265	997	489	400	768	255	113
S(S)PVQ15-80	1	126	265	997	489	400	768	255	113
S(S)PVQ3.7-100	1	126	400	800	369	280	567	182	105
S(S)PVQ5.5-100	1	126	400	816	388	320	622	197	105
S(S)PVQ7.5-100	1	126	400	816	388	320	622	197	105
S(S)PVQ11-100	1	126	450	842	404	280	591	206	105
S(S)PVQ15-100	1	126	500	1026	481	400	747	242	105
S(S)PVQ19-100	1	130	500	1026	481	400	747	242	105
S(S)PVQ7.5-150	1	130	500	890	444	300	682	222	160
S(S)PVQ11-150	1	130	500	967	444	300	682	222	160
S(S)PVQ15-150	1	130	500	1022	458	320	710	230	160
S(S)PVQ15-150(1)	1	130	500	1012	451	335	706	211	160
S(S)PVQ19-150	1	130	550	1236	599	480	940	300	160
S(S)PVQ22-150	1	130	550	1216	486	380	784	244	160
S(S)PVQ22-150(1)	1	130	550	1216	560	480	920	280	160

# SUBMERGED SEWAGE PUMP

PVQ SPVQ SSPVQ / 沉水式污水泵  
PVQ SPVQ SSPVQ

## INSTALLATION DIMENSIONS 外形及安装尺寸(含自耦)

MODEL 型号	FIG	A	B	C	D	E	F	G	H	I	J	K	L	N	O	P	Q	R	S	T	U
[mm]																					
S(S)PVQ0.75-50	2	310	313	657	236	278	520	118	125	110	150	110	180	40	65	275	120	5.5	16	150	650x650
S(S)PVQ1.5-65	2	340	350	651	308	326	635	153	156	180	220	180	240	40	65	395	130	54	20	300	750x650
S(S)PVQ1.5-65(1)	2	340	243	687	318	376	691	159	159	180	220	180	240	40	65	395	130	54	20	300	900x750
S(S)PVQ2.2-65	2	340	350	790	330	376	886	160	156	180	220	180	240	40	65	395	130	54	20	300	750x650
S(S)PVQ3.7-65	2	340	400	790	376	391	735	188	156	180	220	180	240	40	65	395	130	54	20	300	750x650
S(S)PVQ5.5-65	2	340	260	910	425	478	844	210	156	180	220	180	240	40	65	395	130	54	20	300	900x750
S(S)PVQ1.5-80	2	340	264	697	308	326	635	153	156	180	220	180	240	40	65	395	130	54	20	300	900x750
S(S)PVQ2.2-80	2	340	252	775	308	326	635	153	156	180	220	180	240	40	65	395	130	54	20	300	900x750
S(S)PVQ3.7-80	2	340	257	814	369	360	698	182	156	180	220	180	240	40	65	395	130	54	20	300	900x750
S(S)PVQ5.5-80	2	340	400	806	376	391	735	188	156	180	220	180	240	40	65	395	130	54	20	300	900x750
S(S)PVQ7.5-80	2	340	400	875	388	376	729	197	156	180	220	180	240	40	65	395	130	54	20	300	900x750
S(S)PVQ7.5-80(1)	2	340	260	917	425	478	844	210	156	180	220	180	240	40	65	395	130	54	20	300	1200x1000
S(S)PVQ11-80	2	340	290	1022	489	528	939	255	156	180	220	180	240	40	65	395	130	54	20	300	1200x1000
S(S)PVQ15-80	2	340	290	1022	489	528	939	255	156	180	220	180	240	40	65	395	130	54	20	300	1200x1000
S(S)PVQ3.7-100	2	340	400	800	369	360	698	182	156	180	220	180	240	40	65	395	130	54	20	300	900x750
S(S)PVQ5.5-100	2	340	400	816	388	376	729	197	156	180	220	180	240	40	65	395	130	54	20	350	900x750
S(S)PVQ7.5-100	2	340	400	816	388	376	729	197	156	180	220	180	240	40	65	395	130	54	20	350	900x750
S(S)PVQ11-100	2	340	450	842	404	386	748	206	156	180	220	180	240	40	65	395	130	54	20	350	1200x1000
S(S)PVQ15-100	2	340	500	1026	481	506	904	242	156	180	220	180	240	40	65	395	130	54	20	350	1200x1000
S(S)PVQ19-100	2	340	500	1026	481	506	904	242	156	180	220	180	240	40	65	395	130	54	20	350	1200x1000
S(S)PVQ7.5-150	2	480	500	890	444	457	964	222	285	290	330	300	470	50	100	400	280	22	24	350	1200x1000
S(S)PVQ11-150	2	480	500	967	444	457	964	222	285	290	330	300	470	50	100	400	280	22	24	350	1200x1000
S(S)PVQ15-150	2	480	550	1022	458	475	990	230	285	290	330	300	470	50	100	400	280	22	24	350	1200x1000
S(S)PVQ15-150(1)	2	480	550	1012	451	492	988	211	285	290	330	300	470	50	100	400	280	22	24	350	1200x1000
S(S)PVQ19-150	2	480	550	1236	599	635	1220	300	285	290	330	300	470	50	100	400	280	22	24	350	1450x1200
S(S)PVQ22-150	2	480	550	1216	486	535	1064	244	285	290	330	300	470	50	100	400	280	22	24	350	1450x1200
S(S)PVQ22-150(1)	2	480	550	1216	560	605	1170	280	285	290	330	300	470	50	100	400	280	22	24	350	1450x1200
S(S)PVQ7.5-200	2	480	550	1100	471	475	998	238	285	290	330	300	470	50	100	400	280	22	24	400	1450x1200
S(S)PVQ11-200	2	480	550	1188	599	635	1220	300	285	290	330	300	470	50	100	400	280	22	24	400	1450x1200
S(S)PVQ15-200	2	480	550	1236	599	635	1220	300	285	290	330	300	470	50	100	400	280	22	24	400	1450x1200
S(S)PVQ19-200	2	480	550	1236	471	475	998	238	285	290	330	300	470	50	100	400	280	22	24	400	1450x1200
S(S)PVQ22-200	2	480	550	1440	599	635	1230	310	285	290	330	300	470	50	100	400	280	22	24	400	1450x1200
S(S)PVQ22-200(1)	2	480	550	1236	599	635	1220	300	285	290	330	300	470	50	100	400	280	22	24	400	1450x1200
S(S)PVQ30-200	2	480	550	1440	599	635	1220	300	285	290	330	300	470	50	100	400	280	22	24	400	1450x1200
S(S)PVQ30-200(1)	2	480	550	1430	667	655	1275	335	285	290	330	300	470	50	100	400	280	22	24	400	1450x1200
S(S)PVQ3-300	2	480	550	1443	665	665	1262	322	285	290	330	300	470	50	100	400	280	22	24	400	1450x1200
S(S)PVQ7-300(1)	2	480	550	1550	734	755	1409	369	285	290	330	300	470	50	100	400	280	22	24	400	1850x1550
S(S)PVQ45-200	2	480	550	1550	734	755	1409	369	285	290	330	300	470	50	100	400	280	22	24	400	1850x1550
S(S)PVQ55-200	2	480	550	1553	950	850	1575	440	285	290	330	300	470	50	100	400	280	22	24	400	1850x1550
S(S)PVQ55-200(1)	2	480	550	1553	770	755	1428	388	285	290	330	300	470	50	100	400	280	22	24	400	1850x1550
S(S)PVQ19-250	2	800	700	1420	710	750	1490	390	410	500	600	550	700	65	125	500	360	175	24	450	1750x1350
S(S)PVQ22-250	2	800	800	1450	720	750	1500	340	410	500	600	550	700	65	125	500	360	175	24	450	1750x1350
S(S)PVQ37-250	2	800	700	1713	665	700	1448	338	410	500	600	550	700	65	125	500	360	175	24	450	1750x1350
S(S)PVQ45-250	2	800	700	1721	820	800	1615	405	410	500	600	550	700	65	125	500	360	175	24	450	2000x1500
S(S)PVQ75-250	2	800	700	1721	820	800	1615	405	410	500	600	550	700	65	125	500	360	175	24	450	2000x1500
S(S)PVQ30-300	2	800	700	1553	710	750	1485	335	410	500	600	550	700	65	125	500	360	175	24	450	1750x1350
S(S)PVQ37-300	2	800	800	1553	720	750	1500	340	410	500	600	550	700	65	125	500	360	175	24	450	1750x1350
S(S)PVQ45-300	2	700	1721	1721	685	700	1458														



## SUBMERGED SEWAGE PUMP PVQP SERIES

## SUBMERGED SEWAGE PUMP

PVQP SERIES / 沉水式污水泵  
PVQP 系列

## III、FEATURES 特点

- 1.High precise motor, heat treatment processed rotator, steady performance and high efficiency design. Manufacture with strict quality testing and special impregnated dry process to ensure the best insulation. Class F insulation and IP68 protection degree.
2. Complete accessories: VCT cable, EPOXY water proof cable base, high efficiency dry type motor, motor protection and double mechanical seal.
3. Adopt stainless steel and engineering plastics which are light in weight.
4. Monobloc impeller and channel, low loss, high efficiency, save more energy.
5. Applicable liquid temperature: 0-40°C
- 6.Mechanical shaft seal: double mechanical shaft seal, silicon carbide material.

- 1.高精度电机，轴心转子经热处理加工，性能稳定、效率高。生产经过严格品检程序，以特殊烘干处理，确保电机最佳绝缘。水泵F级绝缘，IP68防护等级。
- 2.配备齐全：VCT 电缆线，EPOXY防水电缆基座，高效率干式电机，电机保护器，双机械密封设计。
- 3.本产品采用不锈钢及工程塑料材质，重量轻。
- 4.本产品流道及叶轮一体成型，损失少，效率高，达到节能效果。
- 5.适用液体温度：0-40°C
- 6.机械轴封：双机械密封，轴封材质为碳化硅。

## IV、SPECIFICATION 规格说明

MEDIUM		介质		
Temperature	0-40°C	温度	0-40°C	
Application	Sewage, Gardening, drainage	应用	一般污水、园艺用水、积水排除	
Immerged depth	30m	使用最大水深	30m	
Diameter	50-80-100mm	口径	50-80-100mm	
PUMP 水泵				
Structure 结构	Impeller	Semi-open	叶轮	半开放式
	Seal	Double mechanical seal	密封	双机械密封
	Bearing	Deep groove ball bearing	轴承	深沟滚珠轴承
Material 材质	Upper cover	FC-200	上盖	FC-200
	Diffuser	FC-200	导流壳	FC-200
	Impeller	FC-200	叶轮	FC-200
	Mechanical seal	Sic/Sic	机械密封	Sic/Sic
MOTOR 电机				
Type	Dry-type submersible motor	型式	干式潜水型	
Pole	2P	极数	2P	
Insulation	B	绝缘	B级	
Frequency	50HZ	频率	50HZ	
Protection device	A.C. motor protection	内装保护装置	A.C.电机保护器	
Material 材质	Casing	SUS304	外壳	SUS304
	Shaft	SUS410(2 ~ 3HP:SUS403)	主轴	SUS410(2 ~ 3HP:SUS403)
	Cable	VCT	电缆线	VCT

## I、Application

- 1.Building underground discharge equipment, sewer drainage work.
- 2.Civil engineering construction.
- 3.Agricultural irrigation and animal agricultural drainage.
- 4.Drainage of accumulated water and sewage in the cabin.
- 5.Sewage treatment and delivery.
- 6.Used in fountain.

- 1.大楼地下排放设备，下水道排水工程。
- 2.土木建筑工程施工。
- 3.农业灌溉及畜牧业排水。
- 4.船舱积水，污水排放。
- 5.污水处理之污水输送。
- 6.喷泉或景观园林用。

## II、MODEL DESCRIPTION 型号说明

PVQP - 0.4 - 50(L)

Cutting Impeller	切割叶轮
Outlet Diameter[mm]	出水口径(DN)[mm]
Power[Kw]	功率 [KW]
Stamping Stainless Steel	冲压不锈钢污水泵
Cast Iron or Plastic Impeller	铸铁或塑料叶轮

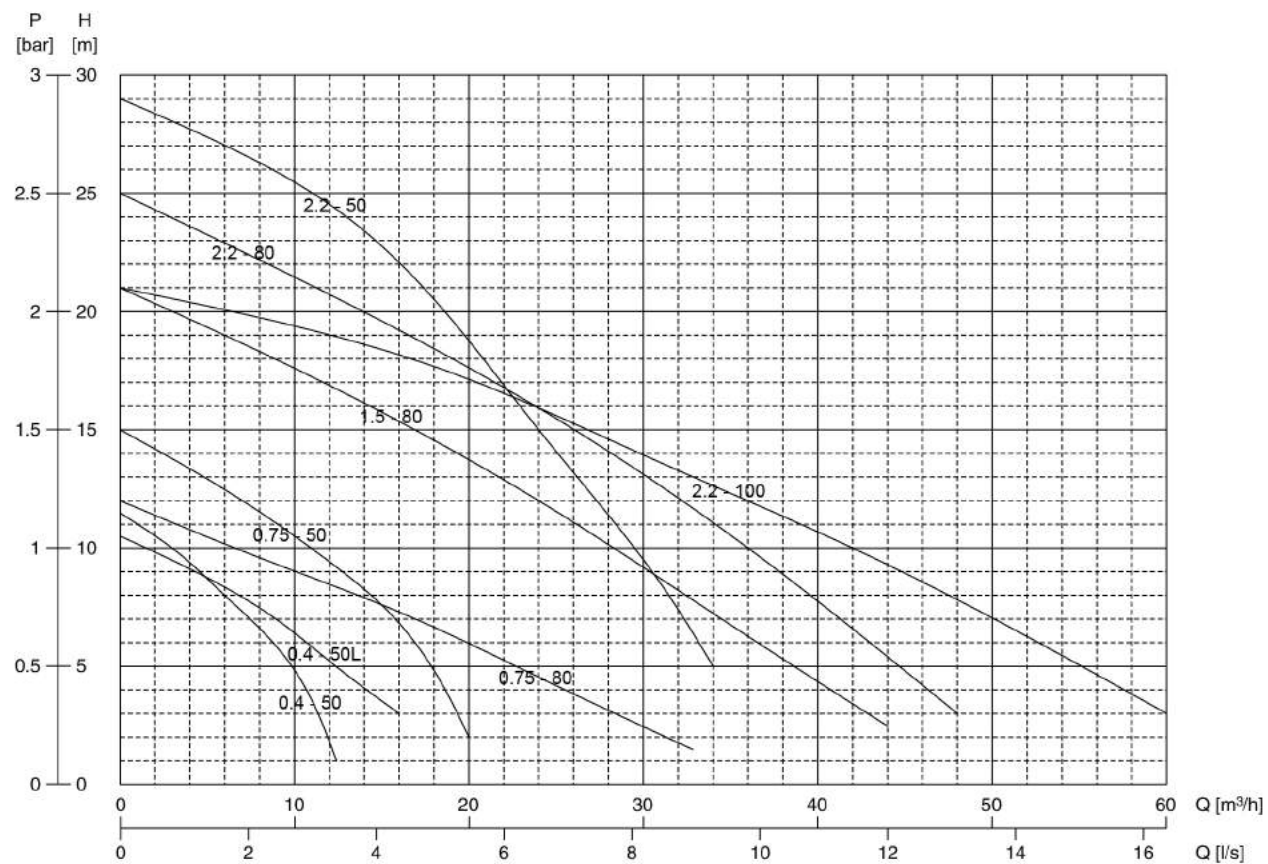




# SUBMERGED SEWAGE PUMP

PVQP SERIES / 沉水式污水泵  
PVQP 系列

## V、PERFORMANCE SPECIFICATION 性能规格表

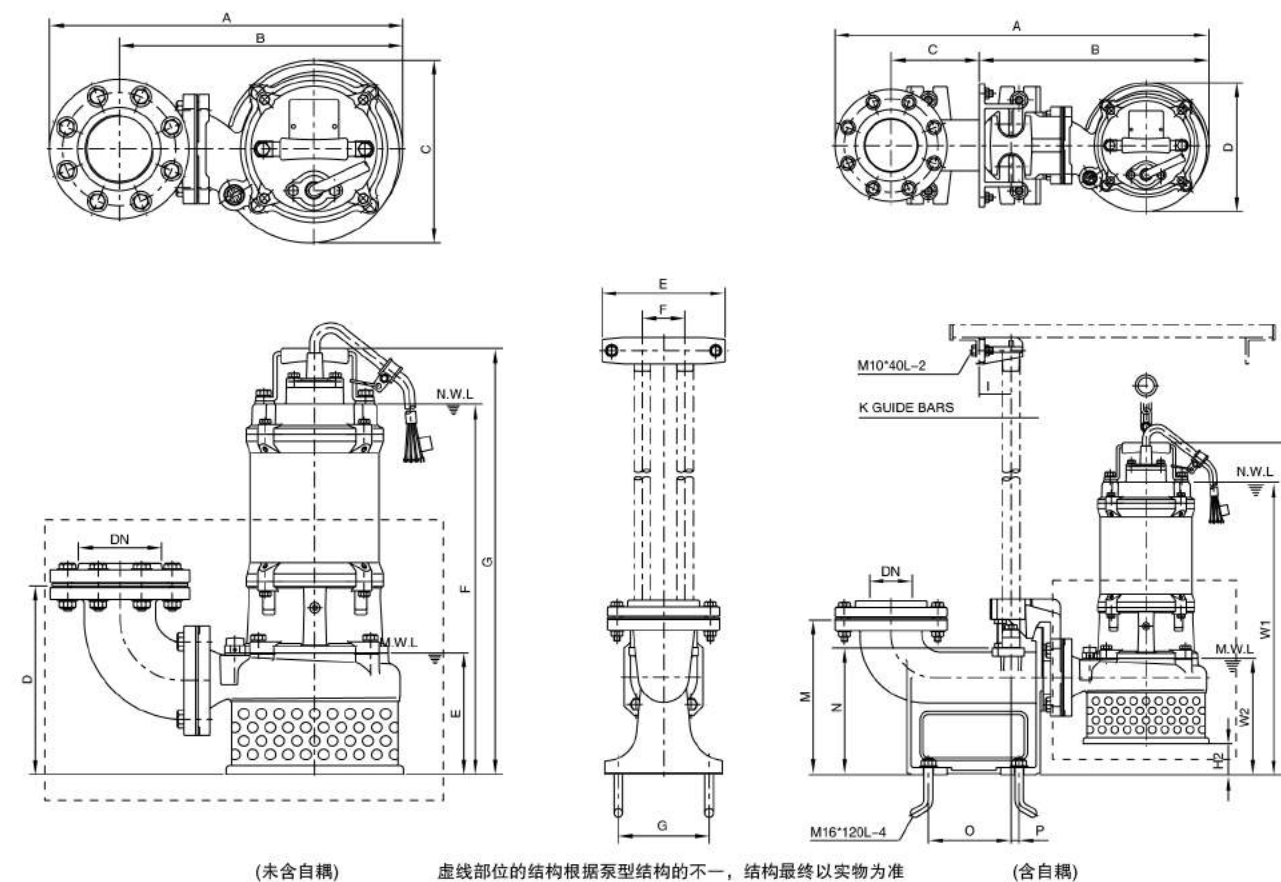


MODEL 型号	MOTOR 电机		PUMP 水泵							WEIGHT 重量
	功率 [Kw]	相数 [HP]	电压 Phase Vlotage	极数 Pole	频率 [Hz]	DISCH.DIA 口径 [mm]	HEAD 扬程 [m]	CAP 流量 m³/h	[Kg]	
PVQP-0.4-50	0.4	0.5	1 220	2	50	50	2"	8	6	12
			3 380							
PVQP-0.4-50L	0.4	0.5	1 220	2	50	50	2"	7	9	16
			3 380							
PVQP-0.75-50	0.75	1	1 220	2	50	50	2"	10	10.8	17
			3 380							
PVQP-2.2-50	2.2	3	1 220	2	50	50	2"	24.5	12	39
			3 380							
PVQP-0.75-80	0.75	1	1 220	2	50	80	3"	6.5	18	19
			3 380							
PVQP-1.5-80	1.5	2	1 220	2	50	80	3"	12	24	42
			3 380							
PVQP-2.2-80	2.2	3	1 220	2	50	80	3"	16	24	44
			3 380							
PVQP-2.2-100	2.2	3	1 220	2	50	100	4"	10	42	44
			3 380							

# SUBMERGED SEWAGE PUMP

PVQP SERIES / 沉水式污水泵  
PVQP 系列

## VI、INSTALLATION DIMENSIONS 外形及安装尺寸



(未含自耦) 虚线部位的结构根据泵型结构的不一, 结构最终以实物为准 (含自耦)

MODEL 型号	DN	A	B	C	D	E	F	G
PVQP-0.4-50	50	227	191	161	86	88	298	352
PVQP-0.4-50L	50	227	191	161	86	88	298	352
PVQP-0.75-50	50	245	207	174	109	115	375	429
PVQP-2.2-50	50	280	242	216	128	130	420(498)	493(572)
PVQP-0.75-80	80	278	224	173	457	403	142	135
PVQP-1.5-80	80	365	310	200	204	156	421(499)	485(573)
PVQP-2.2-80	80	385	328	216	195	132	422(500)	495(575)
PVQP-2.2-100	100	442	348	216	230	130	422(500)	495(575)

MODEL 型号(含自耦)	DN	A	B	C	D	E	F	G	I	K	M	N	O	P	W1	W2	H1	H2
PVQPT-2.2-50	50	580	387	115	218	230	70	120	50	1"	250	203	108	13	429(507)	139	502(581)	9
PVQPT-1.5-80	80	603	380	130	200	230	80	150	60	1 1/4"	285	233	135	15	495(561)	218	547(635)	62
PVQPT-2.2-80	80	621	398	130	216	230	80	150	60	1 1/4"	285	233	135	15	442(570)	117	566(646)	70
PVQPT-2.2-100	100	621	398	130	216	230	80	150	60	1 1/4"	285	233	135	15	442(570)	117	566(646)	70



## SUBMERGED SEWAGE PUMP PVQS SERIES

## SUBMERGED SEWAGE PUMP PVQS



## I、Application

1. Building underground discharge equipment, sewage drainage work.
  2. Civil engineering construction.
  3. Agricultural irrigation and animal agricultural drainage.
  4. Drainage of accumulated water and sewage in the cabin.
  5. Sewage treatment and delivery.
  6. Used in fountain.
  7. Civil waste water drainage.
  8. Swimming pool & pit drainage.
  9. Aquaculture.
  10. Corrosive liquid (seawater etc.)
1. 大楼地下排放设备，下水道排水工程。
  2. 土木建筑工程施工。
  3. 农业灌溉及畜牧业排水。
  4. 船舱积水，污水排放。
  5. 污水处理之污水输送。
  6. 喷泉用。
  7. 民用废水排放。
  8. 游泳池及集水坑排水。
  9. 养殖业。
  10. 海水等腐蚀性液体。

## SUBMERGED SEWAGE PUMP

PVQS PVQN / 沉水式污水泵  
PVQS PVQN

## II、FEATURES 特点

1. High precise motor, heat treatment processed rotator, steady performance and high efficiency design. Manufacture with strict quality testing and special impregnated dry process to ensure the best insulation. Class F insulation and IP86 protection degree.
2. Complete accessories: VCT cable, EPOXY water proof cable base, high efficiency dry type motor, motor protection and double mechanical seal.
3. Adopt stainless steel and engineering plastics which are light in weight.
4. Monobloc impeller and channel, low loss, high efficiency, save more energy.
5. Applicable liquid temperature: 0-40°C
6. Mechanical shaft seal: double mechanical shaft seal, silicon carbide material.
7. Non-rust as long use in sewage, meet the environmental requirement as do not cause secondary pollution.

1. 高精度电机，轴心转子经热处理加工，性能稳定、效率高。生产经过严格品检程序，以特殊烘干处理，确保电机最佳绝缘，水泵F级绝缘，IP68防护等级。
2. 配备齐全：VCT 电缆线，EPOXY防水电缆机座，高效率干式电机，电机保护器，双机械密封设计。
3. 本产品采用不锈钢及工程塑料为材质，重量轻。
4. 本产品流道及叶轮一体成型，损失少，效率高，达到节能的效果。
5. 适用液体温度：0-40°C
6. 机械轴封：双机械密封，轴封材质为碳化硅。
7. 长期使用一般污水中不生锈，不会产生二次污染符合环保要求。

## III、SPECIFICATION 规格说明

MEDIUM		介质		
Temperature	0-40°C	温度	0-40°C	
Application	Sewage, Gardening, drainage	应用	一般污水、园艺用水、积水排除	
Immerged depth	30m	使用最大水深	30m	
Diameter	50-80-100mm	口径	50-80-100mm	
PUMP 水泵				
Structure 结构	Impeller	Semi-open	叶轮	半开放式
	Seal	Double mechanical seal	密封	双机械密封
	Bearing	Deep groove ball bearing	轴承	深沟滚珠轴承
Material 材质	Upper cover	FC-200	上盖	FC-200
	Diffuser	FC-200	导流壳	FC-200
	Impeller	FC-200	叶轮	FC-200
	Mechanical seal	Sic/Sic	机械密封	Sic/Sic
MOTOR 电机				
Type	Dry-type submersible motor	型式	干式潜水型	
Pole	2P	极数	2P	
Insulation	B	绝缘	B级	
Frequency	50HZ	频率	50HZ	
Protection device	A.C. motor protection	内装保护装置	A.C.电机保护器	
Casing	SUS304	外壳	SUS304	
Material 材质	Shaft	SUS410(2 ~ 3HP:SUS403)	主轴	SUS410(2 ~ 3HP:SUS403)
	Cable	VCT	电缆线	VCT

## IV、MODEL DESCRIPTION 型号说明

PVQS/PVQN 0.4 50 (U/P)

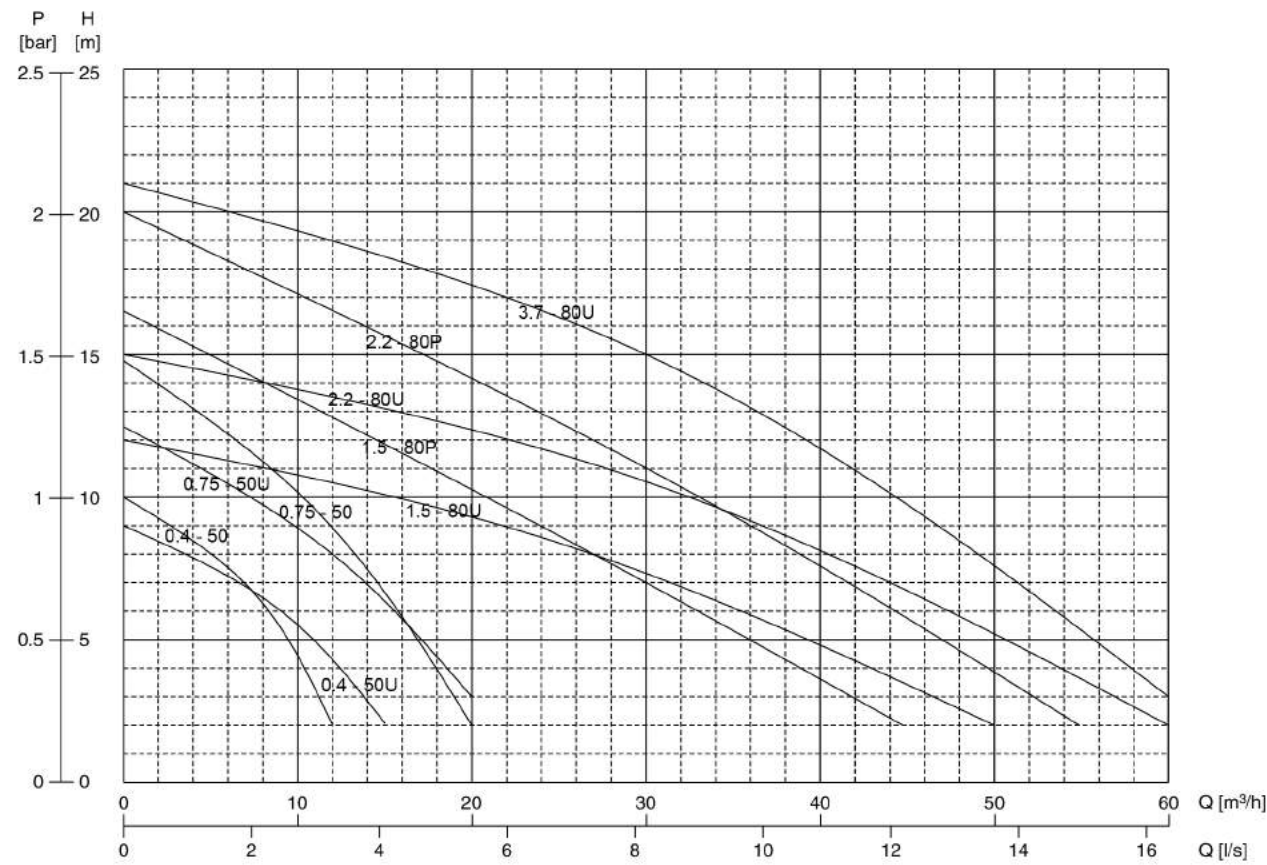
U: Fiber Cutting	U: 切割纤维
P: Solid Cutting	P: 切割固体
Outlet Diameter(DN)	出水口径(DN)
Power[Kw]	功率 [KW]
Stamping 316SS	全冲压不锈钢标准316材质
Stamping 304SS	全冲压不锈钢标准304材质



# SUBMERGED SEWAGE PUMP

PVQS PVQN / 沉水式污水泵  
PVQS PVQN

## V、PERFORMANCE SPECIFICATION 性能规格表

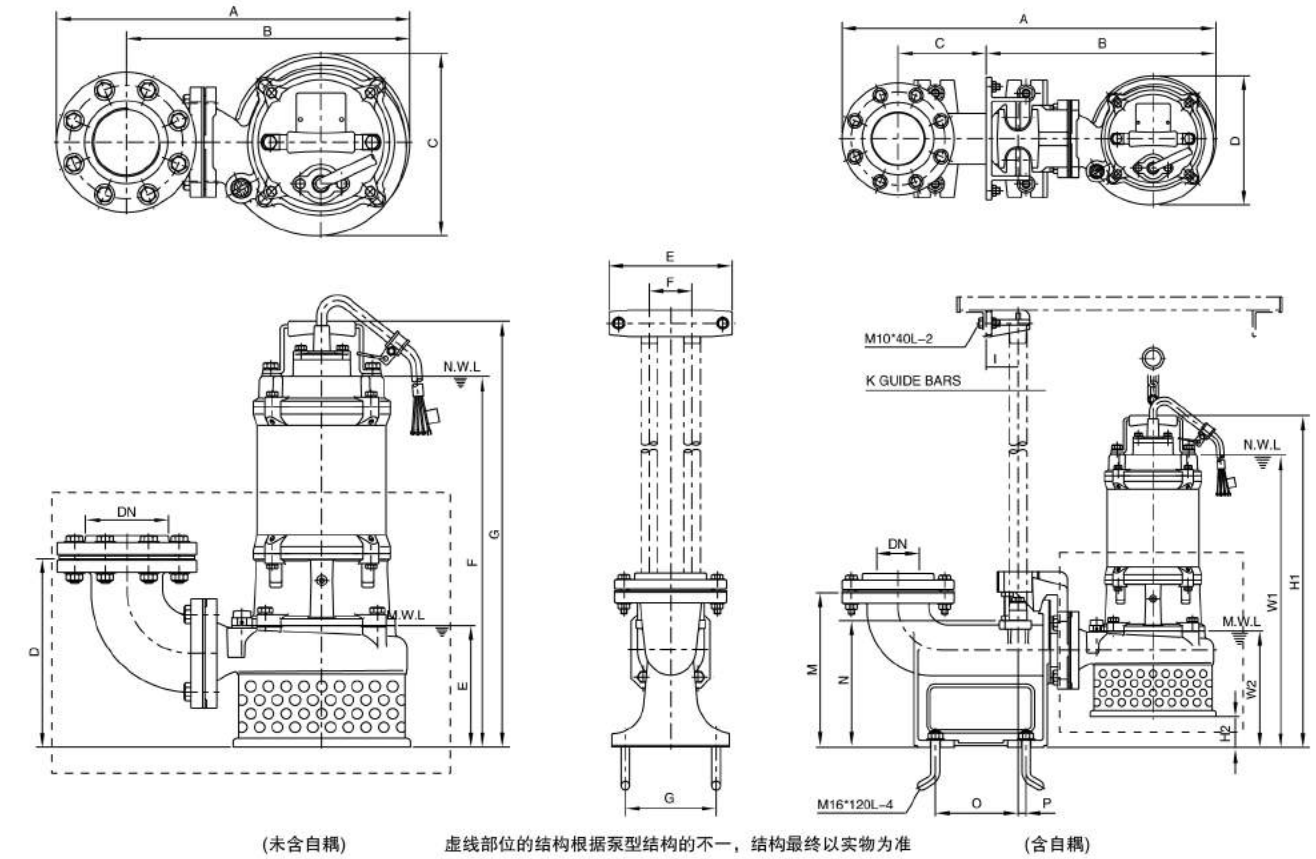


MODEL 型号	MOTOR 电机		PUMP 水泵							WEIGHT 重量 [Kg]	
	功率 [Kw]	相数 [HP]	电压 [V]	极数 [Pole]	频率 [Hz]	DISCH.DIA 口径 [mm]	HEAD 扬程 [m]	CAP 流量 [m³/h]			
PVQS/PVQN-0.4-50	0.4	0.5	1	220	2	50	50	2"	7	7.2	15
			3	380							
PVQS/PVQN-0.75-50	0.75	1	1	220	2	50	50	2"	10	10.2	17
			3	380							
PVQS/PVQN-0.4-50U	0.4	0.5	1	220	2	50	50	2"	6	9	15
			3	380							
PVQS/PVQN-0.75-50U	0.75	1	1	220	2	50	50	2"	8	12	16
			3	380							
PVQS/PVQN-1.5-80U	1.5	2	3	380	2	50	80	3"	8.5	24	35
PVQS/PVQN-2.2-80U	2.2	3	3	380	2	50	80	3"	10.5	30	37
PVQS/PVQN-3.7-80U	3.7	5	3	380	2	50	80	3"	15	30	45
PVQS/PVQN-1.5-80P	1.5	2	3	380	2	50	80	3"	8	27	36
PVQS/PVQN-2.2-80P	2.2	3	3	380	2	50	80	3"	9	36	38

# SUBMERGED SEWAGE PUMP

PVQS PVQN / 沉水式污水泵  
PVQS PVQN

## VI、INSTALLATION DIMENSIONS 外形及安装尺寸



MODEL 型号	DN	A	B	C	D	E	F	G
PVQS/PVQN-0.4-50	50	245	207	174	109	115	385	439
PVQS/PVQN-0.75-50	50	245	207	174	109	115	385	439
PVQS/PVQN-0.4-50U	50	237	199	154	99	100	372	427
PVQS/PVQN-0.75-50U	50	237	199	154	99	100	372	427
PVQS/PVQN-1.5-80U	80	441	348	250	241	180	465	538
PVQS/PVQN-2.2-80U	80	441	348	250	241	180	490	563
PVQS/PVQN-3.7-80U	80	453	360	216	192	160	499	572
PVQS/PVQN-1.5-80P	80	441	348	250	241	180	465	538
PVQS/PVQN-2.2-80P	80	441	348	250	241	180	490	563

MODEL 型号(含自耦)	DN	A	B	C	D	E	F	G	I	K	M	N	O	P	W1	W2	H1	H2
PVQST/PVQNT-0.4-50	50	529	426	115	174	230	70	120	50	1"	250	203	108	13	388	117	445	8
PVQST/PVQNT-0.75-50	50	529	426	115	174	230	70	120	50	1"	250	203	108	13	388	117	445	8
PVQST/PVQNT-0.4-50U	50	537	344	115	154	230	70	120	50	1"	250	203	108	13	390	116	442	16
PVQST/PVQNT-0.75-50U	50	537	344	115	154	230	70	120	50	1"	250	203	108	13	390	116	442	16
PVQST/PVQNT-1.5-80U	80	641	416	130	250	230	80	150	60	1"1/4	285	233	135	15	525	240	595	60
PVQST/PVQNT-2.2-80U	80	641	416	130	250	230	80	150	60	1"1/4	285	233	135	15	525	240	595	60
PVQST/PVQNT-3.7-80U	80	553	430	130	216	230	80	150	60	1"1/4	285	233	135	15	590	251	683	91
PVQST/PVQNT-1.5-80P	80	641	416	130	250	230	80	150	60	1"1/4	285	233	135	15	525	240	595	60
PVQST/PVQNT-2.2-80P	80	641	416	130	250	230	80	150	60	1"1/4	285	233	135	15	525	240	595	60



# SUBMERGED SEWAGE PUMP

PVQ PVQP PVQS / 沉水式污水泵  
PVQ PVQP PVQS

## THECHNOLOGY INDEX 技术索引

The matched cable specification table 潜水电机配套电缆规格表

Motor Rating		KW	HP	1.5	2.5	4	6	10	16	25	35	50	70	95	120	150	185	240	300	400		
220V 50HZ		0.37	1/2	300	510	820	1230	2010	3160	4810	6540	8890										
		0.55	3/4	200	350	550	830	1370	2150	3280	4460	6060	8060									
		0.75	1	160	270	430	650	1070	1680	2550	3470	4710	6250	7970	9510							
33-lead (230v may use 110% of table)		1.1	11/2	110	290	300	450	750	1170	1790	2430	3310	4400	5620	6700	7790	8970					
		1.5	2	80	140	230	340	570	900	1380	1880	2570	3430	4410	5290	6180	7150	8470	9670			
		2.2	3	50	90	150	230	380	600	950	1270	1740	2330	3000	3610	4230	4910	5840	6700	7790		
(240V may use 119% of table)		3	4	40	70	110	150	280	440	970	920	1270	1700	2180	2630	3080	3570	4240	4850	5630		
		3.7	5	30	50	80	110	220	360	550	750	1030	1390	1790	2150	2520	2930	3480	4000	4640		
		4	5 1/2	30	50	60	90	200	320	490	670	920	1240	1590	1910	2240	2590	3070	3520	4070		
380V 50HZ		5.5	7 1/2	0	30	40	80	150	240	380	520	710	960	1240	1490	1750	2040	2430	2790	3250		
		7.5	10	0	0	0	60	110	170	270	370	500	680	870	1050	1230	1420	1690	1930	2230		
		11	15	0	0	0	40	80	120	190	270	370	500	650	790	930	1080	1290	1490	1740		
33-lead (230v may use 110% of table)		15	20	0	0	0	60	90	150	200	280	380	500	610	720	840	1010	1170	1370			
		18.5	25	0	0	0	0	70	110	160	220	300	390	480	570	660	800	920	1090			
		22	30	0	0	0	0	60	100	130	190	260	330	400	480	560	670	780	910			
(415V may use 119% of table)		0.37	1/2	930	1550	2460	3670	6030	9460													
		0.55	3/4	630	1050	1670	2500	4100	5860	9790												
		0.75	1	490	820	1300	1950	3200	4330	7620												
380V 50HZ		1.1	11/2	340	570	910	1360	2240	3200	5350	7280	9890										
		1.5	2	260	430	700	1040	1720	2340	4120	5630	7690										
		2.2	3	170	290	460	700	1150	1600	2770	3790	5190	6950	8950								
33-lead (230v may use 110% of table)		3	4	120	210	340	510	840	1230	2030	2770	3790	5070	6530	7840	9190						
		3.7	5	100	170	270	410	680	980	1650	2260	3090	4140	5340	6420	7540	8750					
		4	5 1/2	90	150	250	370	610	920	1480	2020	2770	3700	4750	5710	6680	7740	9180				
(415V may use 119% of table)		5.5	7 1/2	70	110	190	280	470	690	1140	1560	2140	2870	3700	4460	5240	6090	7250	8330	9700		
		7.5	10	50	80	130	200	330	530	810	1110	1510	2030	2610	3130	3670	4250	5040	5770	6680		
		11	15	0	60	90	140	240	360	590	810	1160	1510	1950	2350	2770	3230	3860	4450	5200		
380V 50HZ		15	20	0	70	110	180	270	450	620	910	1160	1500	1820	2150	2520	3020	3490	4110			
		18.5	25	0	0	80	140	210	350	490	770	910	1190	1440	1700	1990	2390	2770	3260			
		22	30	0	0	0	120	180	300	410	570	770	1000	1210	1440	1680	2010	2330	2740			
33-lead (230v may use 110% of table)		30	40	0	0	0	0	130	220	310	420	570	740	900	1060	1230	1470	1700	1990			
		37	50	0	0	0	0	0	110	180	240	340	460	590	710	840	980	1170	1350	1580		
		45	60	0	0	0	0	0	0	150	200	280	380	490	600	700	820	980	1130	1330		
380V 50HZ		55	75	0	0	0	0	0	0	120	170	240	330	420	510	610	710	860	990	1170		
		75	100	0	0	0	0	0	0	0	180	240	320	390	460	530	640	740	880			
		90	125	0	0	0	0	0	0	0	0	190	240	290	350	400	480	550	650			
33-lead (230v may use 110% of table)		110	150	0	0	0	0	0	0	0	0	0	0	0	210	250	290	340	410	470	550	
		130	175	0	0	0	0	0	0	0	0	0	0	0	180	220	260	300	360	420	500	
		150	200	0	0	0	0	0	0	0	0	0	0	0	190	230	270	320	370	440		

# SUBMERGED SEWAGE PUMP

PVQ PVQP PVQS / 沉水式污水泵  
PVQ PVQP PVQS

## UNIT CONVERSION TABLES 单位换算表

Power 功率			
Unit 单位	Horsepower 马力	Watt 瓦特	BTU 英制热量单位
1	1.0000	745.7000	42.4300
2	0.0013	1.0000	0.0569
3	0.0236	17.5800	1.0000

Flow Conversion 流量转换						
Unit 单位	U.S. gallon/min 美制加仑/分	UK gallon/min 英制加仑/分	acre inch/h 英亩 英寸/时	L/sec 升/秒	L/min 升/分	m³/h 立方米/时
1	1.0000	0.8330	0.0022	0.0631	3.7850	0.2270
2	1.2000	1.0000	0.0026	0.0757	4.5460	0.2720
3	452.4000	376.9000	1.0000	28.5700	1715.2700	102.7700
4	15.8500	13.2000	0.0350	1.0000	60.0000	3.6000
5	0.2642	0.2200	0.0006	0.0167	1.0000	0.0600
6	4.4000	3.6900	0.0097	0.2778	16667.0000	1.0000

Volume conversion 体积转换							
Unit 单位	cubic inch 立方英寸	gallon 加仑	cubic foot 立方英尺	cubic yard 立方码	acre foot 英亩 英尺	liter 升	cubic meter 立方米
1	1.00	0.00	0.00	2.14E-05	1.33E-08	0.02	1.64E-05
2	231.00	1.00	0.13	0.00	3.07E-06	3.79	0.0038
3	1728.00	74805.00	1.00	0.04	0.00	28.32	0.0283
4	46656.00	202.00	27.00	1.00	0.00	764.60	0.7646
5	75270000.0	325892.0	43592.0	1613.0	1.0	1233000.0	1233.0000
6	61.020	0.264	0.035	0.001	8.11E-07	1.000	0.0010
7	61023.000	264.200	35.310	1.308	0.001	1000.000	1.0000

Length Conversion 长度转换								
Unit 单位	inch 英寸	foot 英尺	yard 码	mile 英里	mm 毫米	cm 厘米	m 米	km 千米
1	1.0	0.1	0.0	1.58E-05	25.4	2.5	0.0	2.54E05
2	12.0	1.0	0.3	0.0	304.8	30.5	0.3	0.00031
3	36.0	3.0	1.0	0.0	914.4	91.4	0.9	0.00091
4	6336.0	5280.0	1760.0	1.0	16093444.0	160934.4	1609.3	1.60940
5	0.0	0.0	0.0	6.21E-07	1.0	0.1	0.0	0.00001
6	0.4	0.0	0.0	6121E-06	10.0	1.0	0.0	0.00001
7	39.4	3.3	1.1	0.0	100.0	100.0	1.0	0.00100
8	39370.0	3280.8	1093.6	0.6	1000000.0	100000.0	-	1.00000

Pressure Conversion 压力转换						
Unit 单位	- 磅/平方英尺	foot 英尺	m 米	Kg/cm³ 千克/立方厘米	Kpa 千帕	bar 巴
1	1.000	2.310	0.0703	0.070	6.895	0.069
2	0.434	1.000	0.305	0.031	2.984	0.030
3	1.422	3.281	1.000	0.100	9.804	0.098
4	14.220	32.810	10.000	1.000	98.040	0.980
5	0.145	0.335	0.102	0.010	1.000	1.010
6	14.500	33.520	10.200	1.020	100.000	1.000

华氏度 Fahrenheit degree 32.0 212.0 F=C9/5+32  
摄氏度 Celsius degree 0.0 100.0 C= ( F-32 ) 5/9



