

立式不銹鋼多級泵

VERTICAL STAINLESS STEEL MULTI-STAGE PUMP



联系我们

www.u-flo.cn

营销中心 Marketing Headquarters

ADD: 南京市江宁区清水亭西路51号-南京俊杰科创大厦9楼(211102)

Floor No.9, Nanjing Junjie Kechuang Building, No.51 Qingshui Ting West Road, Jiangning District, Nanjing (211102).

TEL: (86) 25-52231105 / 52230907 / 52230921 / 84846376 FAX: (86) 25-52230912

中国工厂 Chinese Factory

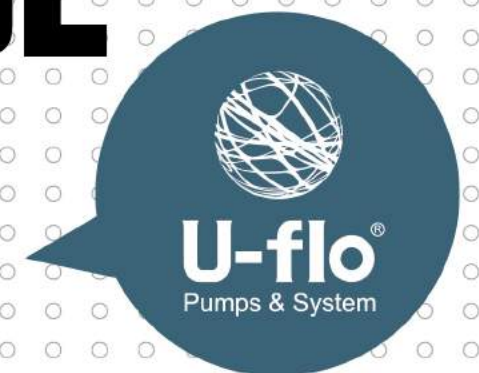
ADD: 南京市溧水经济开发区南区罗马工业园18号 (211200)

18# Rome Industry Park, Southern District, Lishui Economic Development Zone, Nanjing

TEL: (86) 25-56610801 / 56610802 / 56610803 / 56610805 / 56610815 FAX: (86) 25-56610806

销售服务热线: 400-100-8486 售后服务热线: 400-108-8170

PVM SERIES
STAINLESS STEEL
MULTI-STAGE
PUMP



Contents 目录

03/04 COMPANY PROFILE 公司介绍

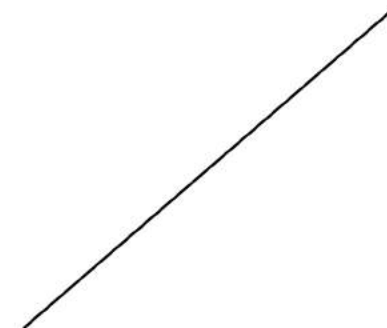
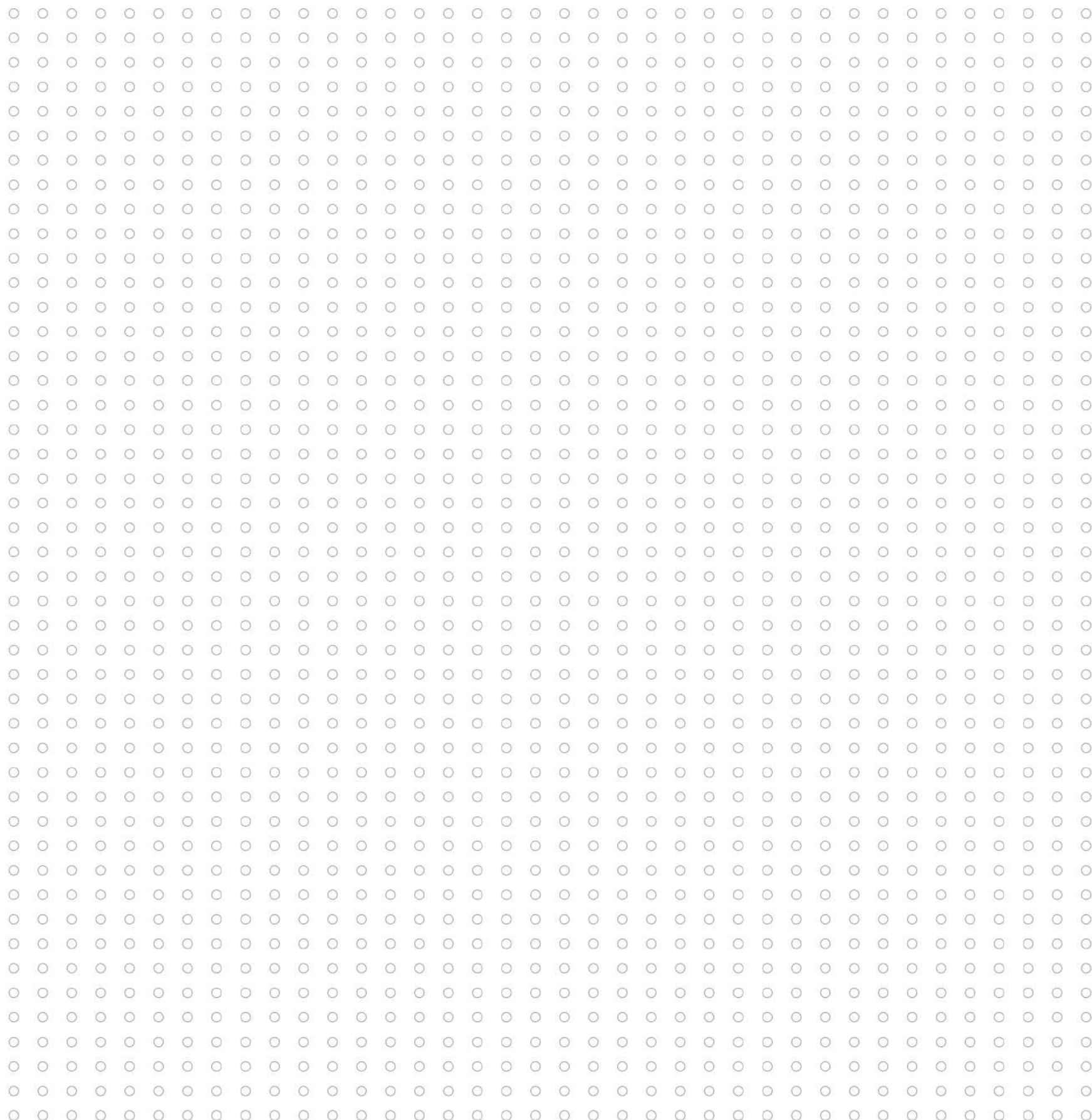
U.S. U-flo
美国尤孚
U-flo in China
尤孚中国

05/22 PRODUCTS 产品介绍

VERTICAL STAINLESS STEEL MULTI-STAGE PUMP series
立式不锈钢多级泵 PVM 系列

23/28 OTHER 其他

TECHNOLOGY INDEX
技术索引





Quality In The Water



U-FLO U.S. 美國尤孚

U-flo Pumps International LLC is a global water pump manufacturing and marketing company registered in Washington, USA. Our cooperated manufacturing facilities are located in Italy, Taiwan and China. Our primary products include Deep-well Pumps, Above-ground Pumps, Sewage Pumps, Pumping Systems. They are widely used in power plants, paper mills, steel plants, agriculture irrigations, construction trades, industrial applications, mining operations, municipal utilities as well as oil/gas fields.

Integrity, Innovation, International

Since the first U-FLO water pump was manufactured, our people have been making unremitting endeavor to improve designs of the U-FLO water pump products. We apply the best industry practices and the best suitable materials for key components to the design and manufacturing of our pumps.

In addition to our state of art manufacturing facilities, we put a big effort on pump testing. Every product undergoes a rigorous testing and inspection process before being shipped to our customers. Our test facility incorporates a 12000 cubic meter (52,834 gallon) closed loop system with testing capacity of up to 600m³/h (2640GPM) with the maximum head of 200m (656ft), and 250 horsepower (dual voltages of 50Hz and 60Hz). Following a strict quality management system, all of our facilities are ISO 9001 and ISO 4001 certified.

Water is a vital part of our natural resources. While we always pursue the excellence of our products and services, we also take every step to promote environment-friendly and energy-saving solutions.

As a global pump manufacturer and supplier, U-FLO is committed to producing the finest water pumps in the world and continues to lead the way forward in the pumping industry.

U-flo 泵业国际有限公司是一家注册于美国华盛顿州的全球化水泵制造销售公司。我们在意大利、中国台湾和中国大陆均有合作制造工厂。我们主要产品包括深井泵、地面泵、污水泵和供水设备。产品广泛应用于电厂、造纸厂、钢厂、农业灌溉、建筑、工业应用、矿山、市政以及油田领域。

诚信、创新、国际化

自第一台 U-flo 水泵出厂以来，我们一直不懈努力，致力于改进 U-flo 水泵的设计。我们以最高的行业要求和最佳材料设计和制造水泵。

在严抓工艺水平的同时，我们还致力于水泵的测试。每一台水泵在出厂前均需要经过严格的测试和检验。我们的测试台含 12000 立方米 (52,834 加仑) 闭式循环系统，最大测试流量达 600m³/h(2640GPM)，最高扬程为 200m(656ft)，250 马力 (双电压 50Hz、60Hz)。按照严格的质量管理体系，我们所有的工厂均通过 ISO9001 和 ISO14001 认证。

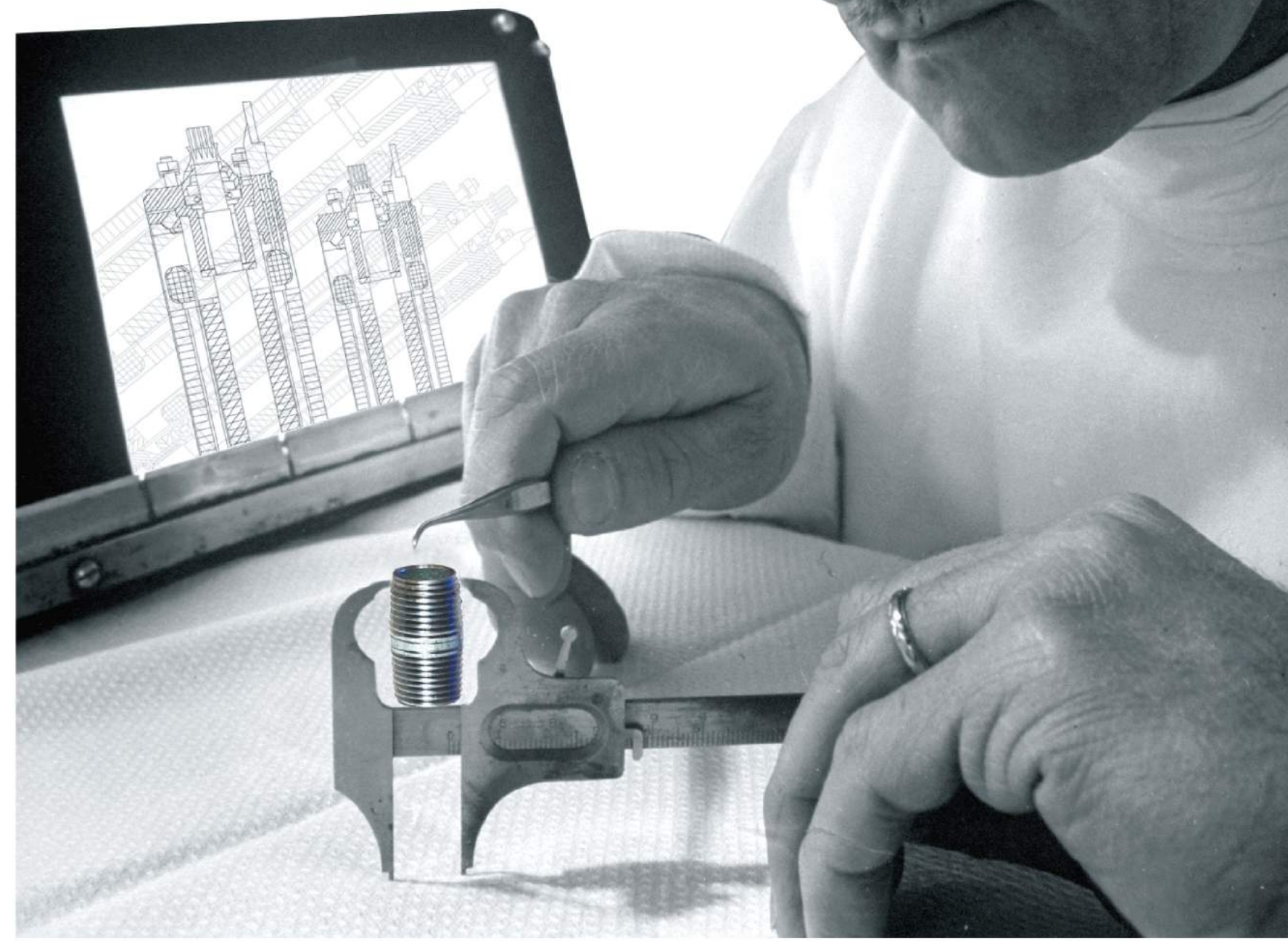
水是自然资源的重要组成部分，我们在追求卓越的产品和服务的同时，亦在努力推广环保和节能解决方案。

作为全球水泵制造商和供应商，U-flo 致力于生产全球最好的水泵，成为水泵行业的领跑者。



Quality witness responsibility Technology create reliability

品质见证责任 专业成就信赖!



Design & production 设计和制造

1. For decades, U-FLO Pumps focuses on development and research of vertical pumps.
 2. It is an American pump company which can compete with numerous multinational corporations in world.
 3. U-FLO Pumps combined our smart design with technology which makes product innovation and success.
 4. The relaxed atmosphere and the internal need of product improvement, naturally create a management mode which can comprehensively control the product quality.
 5. The vertical frequency pump PVME, developed by U-FLO Pumps technical dept. lately, is specially designed for variable frequency water supply equipment. Meanwhile it will be a leading trend in future.
 6. The most outstanding advantage of PVM series is all the parts exposed to water are manufactured of AISI304 or AISI316 stainless steel.
 7. PVM series (AISI304 SS) is mainly applied to fresh water while PVMN series (AISI316 SS) is mainly applied to corrosive water.
 8. Current stamping and laser welding technology has greatly improved, thus more durable and lighter stainless steel pump parts can be produced. The parts exposed to water have greater resistance to corrosion with stainless steel material.
1. 数十年来，U-FLO Pumps 一直致力于立式水泵的开发研究。
 2. 一个拥有与世界市场上众多跨国公司相竞争能力的美国水泵公司。
 3. U-FLO Pumps 成功的秘诀在于通过把巧妙的设想与常识结合起来所带来的产品更新。
 4. 宽松的氛围和对于改进产品的内在需求，自然地营造出一种可以全面控制产品质量的管理模式。
 5. U-FLO Pumps 的技术开发部门最新研究成功的就是立式变频水泵 PVME，这是一种专门为变频供水设备研发的一种产品，同时也将主导今后的潮流。
 6. PVM 系列产品最杰出的优点在于所有与水接触的部分全部 AISI304 型不锈钢（用于 PVM 系列）或者 AISI316 型不锈钢（用于 PVMN 系列）制造。
 7. PVM 系列（由 AISI304 型不锈钢制造）主要应用于普通的水；对于含有腐蚀元素的水，则需要使用 PVMN 系列（AISI316 型不锈钢制造）。
 8. 现行的冲压和激光焊接技术已大大进步，从而可以生产出更耐用和轻型的不锈钢部件，水泵接触水的部件用不锈钢制造将更加耐腐蚀。

U-FLO reserves the right to make modifications without notice.

U-FLO 有权对产品进行修改，恕不另行通知。



VERTICAL STAINLESS STEEL MULTI-STAGE PUMP PVM SERIES

VERTICAL STAINLESS STEEL MULTI-STAGE PUMP

PVM SERIES / 立式不锈钢多级泵 PVM系列



I、Introduction

Vertical multistage stainless steel centrifugal pump is widely used in the following application. such as conventional water supply, heat supply, high building pressurized water, hvac psychro-thermal cycles, spray, swimming pool water supply, water supply, fire control fountain, conveying, industrial emissions system, wastewater recycling system, food processing, agricultural irrigation water, etc.

"U-FLO" vertical multistage stainless steel centrifugal pump has been created for years. The accumulation of experience, the concentration on R&D, outstanding quality and advanced manufacturing technology guarantee our strict production demands.

立式多级不锈钢离心泵在下列应用领域中越来越多地使用，如常规的给水、供热、高层建筑增压送水、暖通空调冷热循环、喷洒、游泳池供水、喷泉供水、消防给水、工业输送、排放系统、污水回收系统、食品加工、农业灌溉用水等。

"U-FLO" 立式多级不锈钢离心泵至今已有多年历史，不断积累的经验、在研发上的倾注、优异的质量和最先进的制造技术，无疑是满足生产要求的重要保障。

II、APPLICATION 应用范围

Water supply	供水
Heat supply	供热
Air-conditioning system	空调系统
Boost and water supply	增压供水
Fire sprinkler system sprinkling	消防喷淋系统
Sprinkling	喷洒
Irrigation	灌溉
Swimming pool	游泳池
Fountain water supply	喷泉供水
Industrial cooling-heating cycle system	工作冷却加热循环系统
Industrial delivery	工业输送
Discharge system	排放系统
Sewage recycling system	污水回收系统
Food processing	食品加工

III、MODEL DESCRIPTION 型号说明

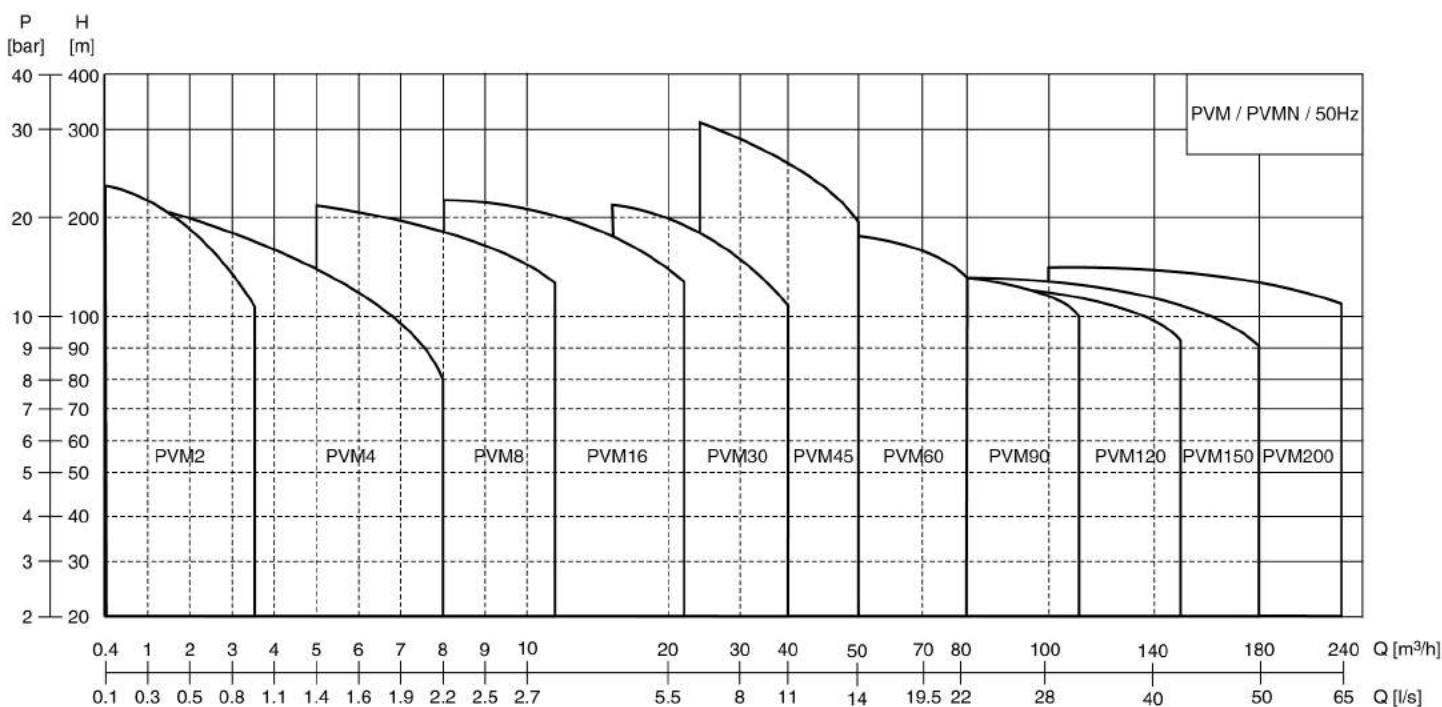
PVM/PVME/PVMN F/E 45-50

Stage No:	Impeller quantity x 10	级数:	叶轮数 × 10
Flow:	Rated flow: (m ³ /h)	流量:	额定流量 (m ³ /h)
F:	Round flange DIN or ANSI standard	F:	圆形法兰DIN或ANSI标准
E:	Clamp type flange	E:	卡箍型法兰
PVM:	Vertical pump AISI304 material	PVM:	立式水泵 AISI304 材质
PVMN:	Vertical pump AISI316 material	PVMN:	立式水泵 AISI316 材质
PVME:	Vertical variable frequency pump (inverter included)	PVME:	变频立式泵(含变频控制器)

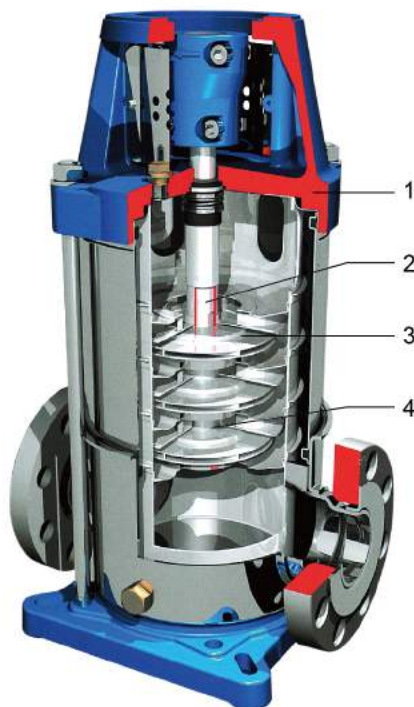
VERTICAL STAINLESS STEEL MULTI-STAGE PUMP

PVM SERIES / 立式不锈钢多级泵 PVM系列

IV、PERFORMANCE RANGE 性能范围



V、CUSTOMIZED SOLUTION 定制的方案



- | | | |
|---|--|--------------------------------|
| 1 | OUTER CYLINDER SEAL | 外筒密封 |
| | Outer cylinder structure ensures thermal expansion seal, especially guarantees the best seal of O-ring groove. | 外筒结构确保了全部热膨胀，尤其确保O型圆凹槽最佳密封。 |
| 2 | STAINLESS STEEL PUMP SHAFT | 不锈钢泵轴 |
| | Pump shaft adopts stainless steel shaft sleeve to ensure shaft/impeller more durable. | 为保证泵轴 / 叶轮的结构更加耐磨损，泵轴上选用不锈钢轴套。 |
| 3 | STAINLESS STEEL DEFUSER | 不锈钢导叶 |
| | Special design reduces internal loss and improves working efficiency greatly. | 特别的设计减少内部损耗，大大改进泵工作效率。 |
| 4 | PUMP BEARING | 泵的轴承 |
| | Tungsten carbide and ceramic are used in bearing manufacture. | 碳化钨和陶瓷材料用于轴承。 |

VERTICAL STAINLESS STEEL MULTI-STAGE PUMP

PVM SERIES / 立式不锈钢多级泵 PVM系列

VI、MOTOR PERFORMANCE 电机性能

THREE-PHASE SQUIRREL CAGE MOTOR MEETS IEC STANDARD 三相鼠笼式电机符合IEC标准
 Voltage 电压: 380-420V Frequency 频率: 50Hz Speed 转速: 1450 / 2850rpm
 Protection Grade 防护等级: IP55 Insulation Class 绝缘等级: F Power Grade 功率等级: eff2

Electric Data 电气参数

P[Kw]	H[%]	Lp[db(A)]	Max.Starts[h-1]	N[min-1]	2pole-3phase 50Hz I _{max} [A]									
					△	△/λ	λ							
					220V	230V	240V	380V	400V	420V	660V	692V	725V	
0.37	70.0	64	50	2730	1.9	1.8	1.8	1.1	1.1	1.0	-	-	-	
0.55	75.0	64	50	2765	2.8	2.7	2.6	1.6	1.6	1.5	-	-	-	
0.75	79.0	66	50	2890	3.6	3.5	3.3	2.1	2.0	1.9	-	-	-	
1.10	84.0	66	50	2920	5.2	5.0	4.8	3.1	2.9	2.8	-	-	-	
1.50	78.0	65	30	2840	7.1	6.8	6.4	4.1	3.9	3.7	-	-	-	
2.20	2.20	65	30	2845	9.9	9.4	8.9	5.7	5.4	5.2	-	-	-	
3.00	3.00	67	20	2895	12.6	12.0	11.4	7.3	6.9	6.6	4.2	4.0	3.8	
4.00	4.00	69	20	2915	16.3	15.5	14.7	9.4	8.9	8.5	5.4	5.2	4.9	
5.50	5.5	69	15	2910	22.8	21.6	20.6	13.2	12.5	11.9	7.6	7.2	6.9	
7.50	7.50	69	12	2900	28.6	27.0	25.9	16.5	15.7	15.0	9.6	9.1	8.6	
11.00	11.00	76	11	2935	26.0	43.9	42.4	26.5	25.4	24.5	15.3	14.7	14.2	
15.00	15.00	76	10	2930	59.0	55.7	53.6	34.0	32.2	31.0	19.7	18.6	17.9	
18.50	18.50	76	10	2940	72.0	67.9	65.7	41.5	39.2	38.0	24.0	22.6	22.0	
22.00	22.00	76	10	2935	24.5	21.3	77.8	49.0	46.9	45.0	28.3	27.1	26.0	
30.00	30.00	84	6	2945	96.7	92.5	88.7	56.0	53.2	50.7	35.8	34.3	32.6	
37.00	37.00	86	6	2951	116.9	111.9	107.2	67.7	64.3	61.3	39.0	38.0	38.0	

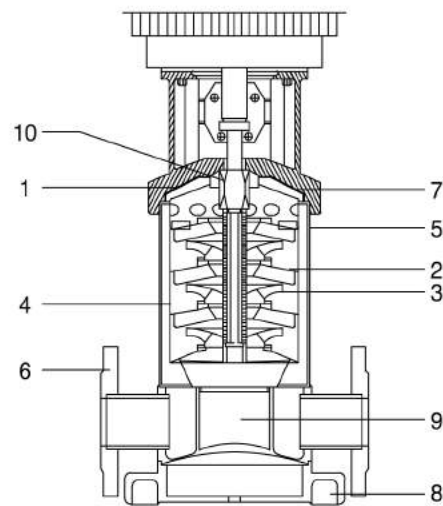
Electric Data 电气参数

P[Kw]	H[%]	Lp[db(A)]	Max.Starts[h-1]	N[min-1]	4pole-3phase 50Hz I _{max} [A]									
					△	△/λ	λ							
					220V	230V	240V	380V	400V	420V	660V	692V	725V	
0.55	70.0	58	50	1390	2.8	2.7	2.5	1.6	1.5	1.4	-	-	-	
0.75	74.0	58	50	1385	3.6	3.4	3.3	2.1	2.0	1.9	-	-	-	
1.10	76.0	58	50	1415	5.7	5.4	5.2	3.3	3.1	3.0	-	-	-	
1.50	78.5	58	50	1420	7.3	7.0	6.7	4.3	4.1	3.9	-	-	-	
2.20	81.0	62	50	1420	10.3	9.8	19.4	6.0	5.7	5.4	-	-	-	
3.00	82.7	62	15	1415	13.3	13.3	12.1	7.7	7.7	7.0	4.5	4.5	4.0	
4.00	84.5	62	15	1415	16.9	17.0	15.6	9.8	10.0	9.0	5.8	5.8	5.2	
5.00	86.0	62	10	1450	22.8	21.7	21.7	13.2	12.5	12.5	7.6	7.2	7.2	
7.50	87.5	62	10	1455	30.4	30.4	30.5	17.6	17.6	14.6	10.6	10.2	10.2	
11.00	88.5	64	10	1450	41.9	41.9	41.9	24.2	24.2	24.2	12.5	14.0	14.0	
15.00	90.0	64	10	1460	57.2	52.9	51.0	33.0	30.5	29.5	19.1	17.7	17.0	

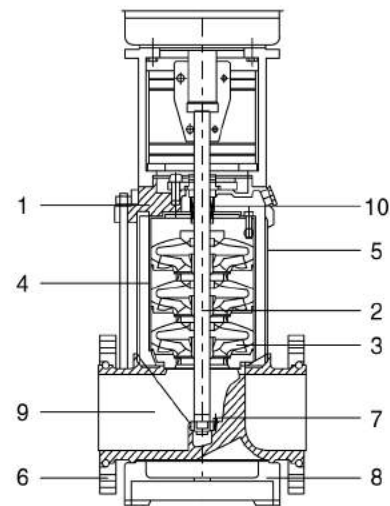
VERTICAL STAINLESS STEEL MULTI-STAGE PUMP

PVM SERIES / 立式不锈钢多级泵 PVM系列

VII、STRUCTURE CHART 结构图



结构图(PVM2-PVM16)



结构图(PVM30-PVM200)

PARTS MATERIAL 零部件材质

Name	名称	PVM系列	PVMN系列
1 Pump Head	泵头	AISI 304	AISI 316
2 Shaft	轴	AISI 316	AISI 316
3 Impeller	叶轮	AISI 304	AISI 316
4 Defuser	导叶	AISI 304	AISI 316
5 Outer Cylinder	外筒	AISI 304	AISI 316
6 Flange	法兰	AISI 304	AISI 316
7 Lower Bearing	下轴承	AISI 304	AISI 316
8 Base	底座	ASTM25B	ASTM25B
9 Inlet & Outlet	进出水段	AISI 304*	AISI 316*
10 Mechanical Seal	机械密封	SIC/Carbon.Viton	SIC/SIC.Viton

PARTS MATERIAL 零部件材质

Name	名称	PVM系列	PVMN系列
1 Pump Head	泵头	AISI 304	AISI 316
2 Shaft	轴	AISI 316	AISI 316
3 Impeller	叶轮	AISI 304	AISI 316
4 Defuser	导叶	AISI 304	AISI 316
5 Outer Cylinder	外筒	AISI 304	AISI 316
6 Flange	法兰	AISI 304	AISI 316
7 Lower Bearing	下轴承	WC	WC
8 Base	底座	ASTM25B	ASTM25B
9 Inlet & Outlet	进出水段	AISI 304	AISI 316
10 Mechanical Seal	机械密封	SIC/Carbon.Viton	SIC/SIC.Viton

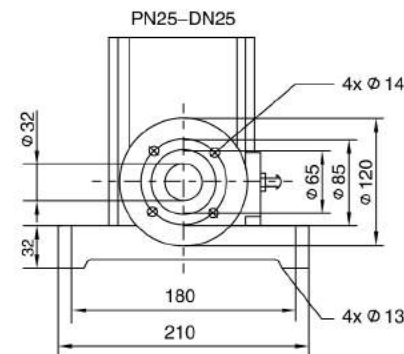
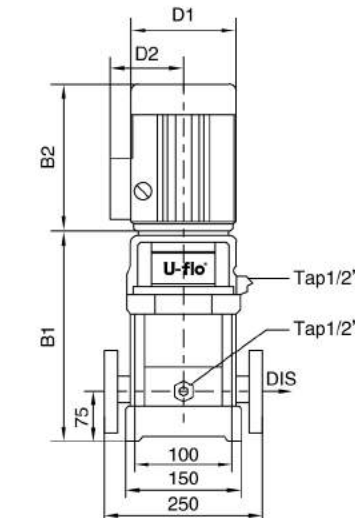
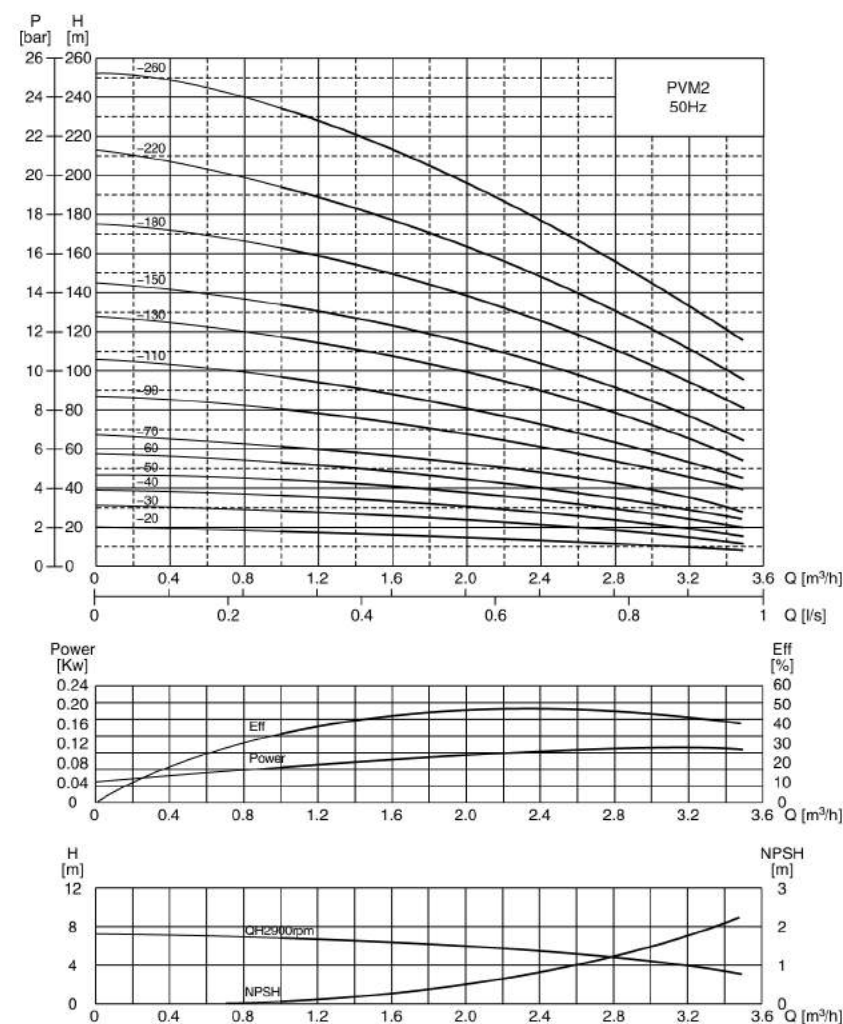
DESCRIPTION 规格说明

MODEL 型号	Rated Flow 额定流量 [m³/h]	[l/s]	Flow Range 流量范围 [m³/h]	[l/s]	Max. Pressure 最大压力 [bar]	Motor Power 电机功率 [Kw]	Temp. Range 温度范围 [°C]	Max. Efficiency 最高效率 [%]	DIN Flange DIN法兰
PVM2	2	0.56	1~3.5	0.28~0.97	23	0.37~3	-15~+120	46	DN25
PVM4	4	1.1	1.5~8	0.42~2.2	21	0.37~4	-15~+120	59	DN32
PVM8	8	2.2	5~12	1.4~3.3	21	0.75~7.5	-15~+120	64	DN40
PVM16	16	4.4	8~22	2.2~6.1	22	2.2~15	-15~+120	70	DN50
PVM30	30	9.3	16~40	4.4~11.1	26	1.5~30	-15~+120	76	DN65
PVM45	45	12.5	25~55	6.9~15.5	30	3.0~45	-15~+120	78	DN80
PVM60	60	22	30~80	8.3~22.2	22	4.0~45	-15~+120	80	DN100
PVM90	90	24	50~110	13.8~30.5	17	5.5~45	-15~+120	81	DN100
PVM120	120	33	60~150	16.7~41.7	16	11~75	-15~+120	74	DN125
PVM150	150	41.6	80~180	22~50	16	11~75	-15~+120	75	DN125

VERTICAL STAINLESS STEEL MULTI-STAGE PUMP

PVM SERIES / 立式不锈钢多级泵 PVM系列

DIMENSION & PERFORMANCE CURVE CHART 尺寸图 & 性能曲线图



PERFORMANCE PARAMETER 性能参数

MODEL 型号	Matched Power 配用功率 [Kw]	Q [m³/h]	1	1.2	1.6	2.4	2.8	3.2	3.5
PVM2-20	0.37		18	17	16	13	12	10	8
PVM2-30	0.37		27	26	24	20	18	15	12
PVM2-40	0.55		36	35	33	26	24	20	16
PVM2-50	0.55		45	43	40	33	30	24	20
PVM2-60	0.75		53	52	50	40	36	30	24
PVM2-70	0.75		63	61	57	47	41	35	28
PVM2-90	1.1		80	78	73	61	54	45	37
PVM2-110	1.1		98	95	89	73	64	54	44
PVM2-130	1.5		116	114	106	89	78	65	52
PVM2-150	1.5		134	130	123	100	90	73	60
PVM2-180	2.2		161	157	148	121	108	91	76
PVM2-220	2.2		197	192	180	148	130	110	90
PVM2-260	3.0		232	228	214	179	158	130	110

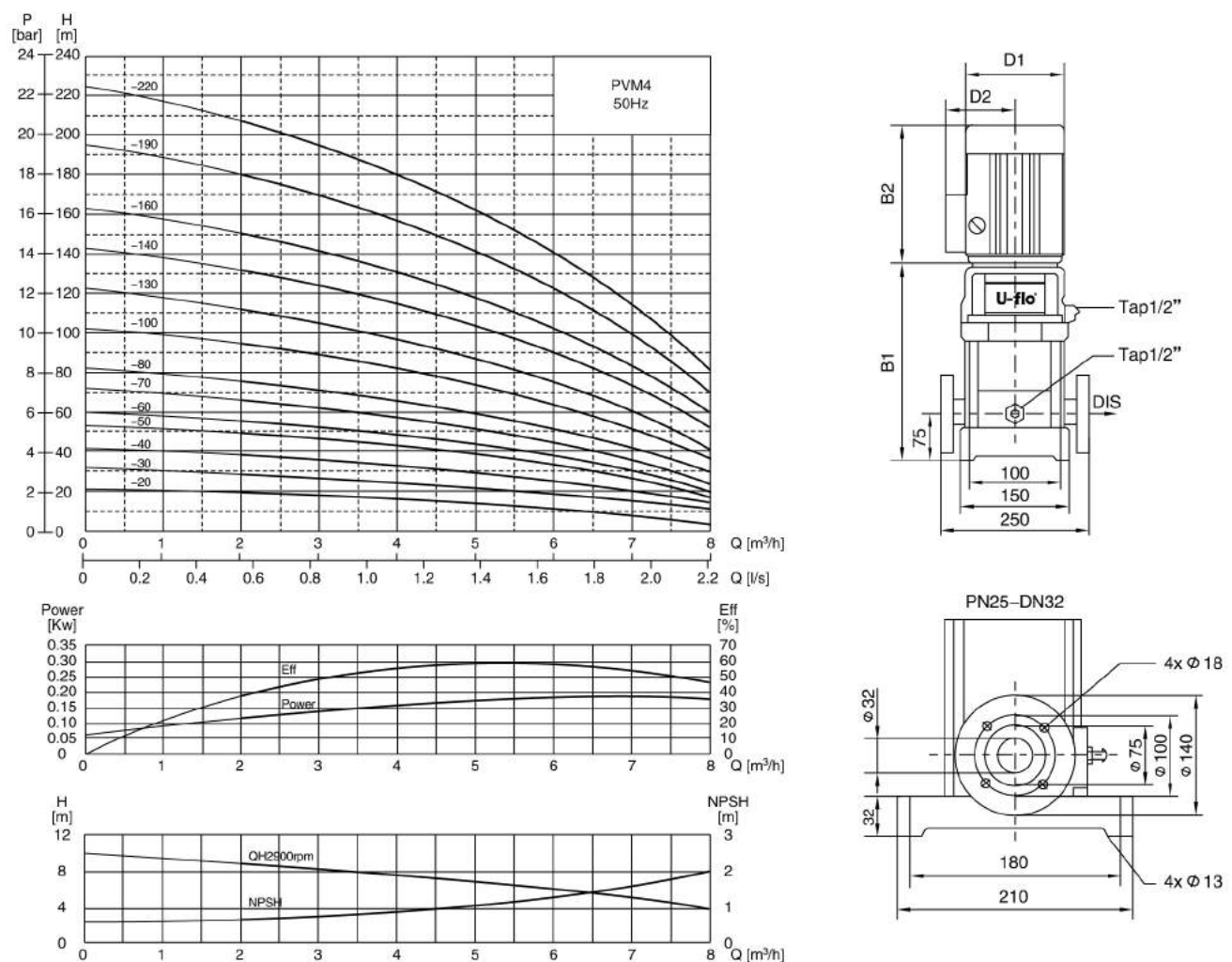
OVERALL DIMENSIONS & WEIGHT 尺寸和重量

MODEL 型号	B1	B2	Dimension 尺寸 [mm]	D1	D2	Weight 重量 [Kg]
PVM2-20	220	210	430	148	117	20
PVM2-30	238	210	448	148	117	20
PVM2-40	256	210	466	148	117	20
PVM2-50	274	210	484	148	117	20
PVM2-60	297	245	542	170	142	25
PVM2-70	315	245	560	170	142	25
PVM2-90	351	245	596	170	142	30
PVM2-110	387	245	632	170	142	30
PVM2-130	440	290	730	190	155	35
PVM2-150	476	290	766	190	155	35
PVM2-180	530	290	820	190	155	40
PVM2-220	602	290	892	190	155	45
PVM2-260	682	315	997	197	165	50

VERTICAL STAINLESS STEEL MULTI-STAGE PUMP

PVM SERIES / 立式不锈钢多级泵 PVM系列

DIMENSION & PERFORMANCE CURVE CHART 尺寸图 & 性能曲线图



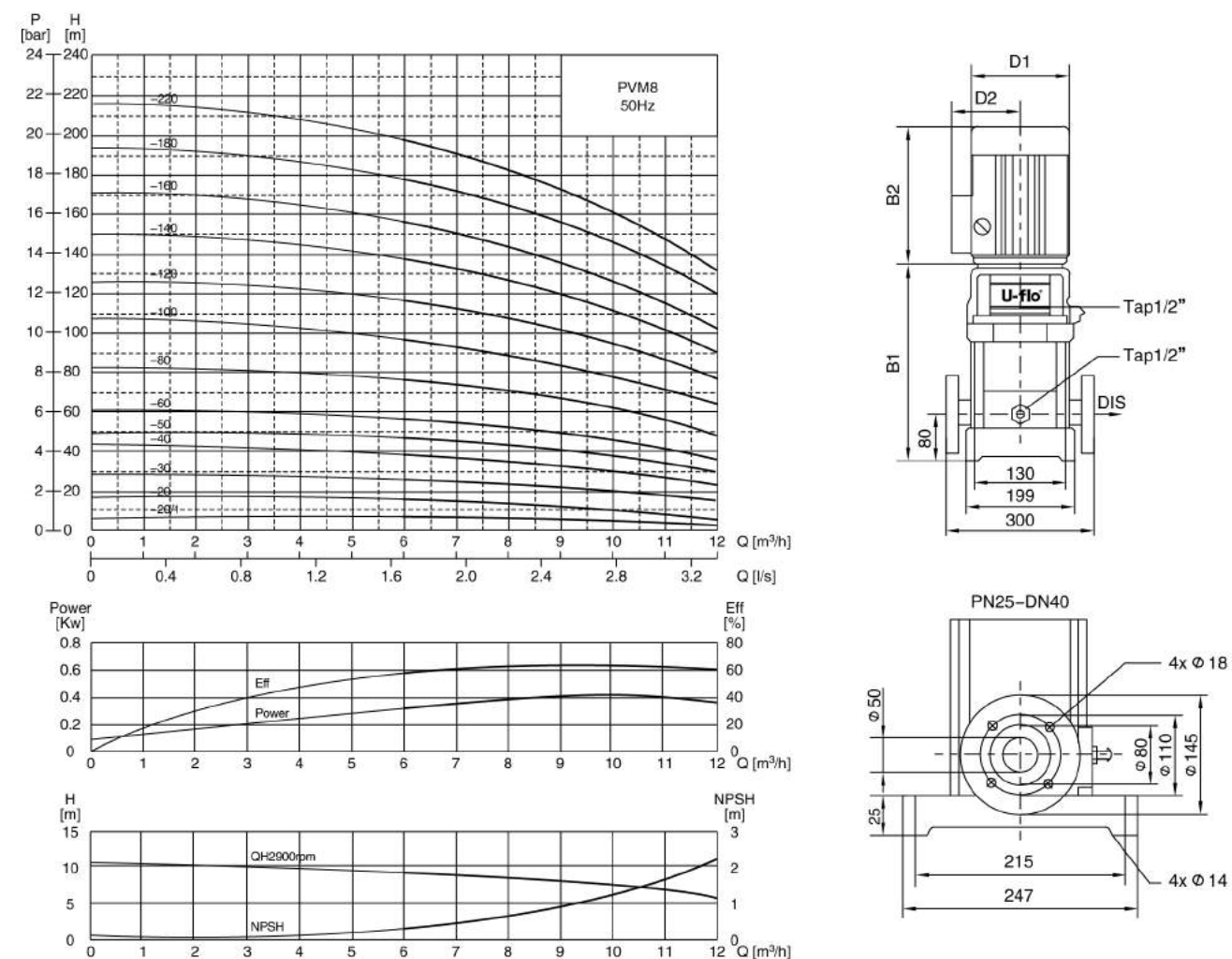
PERFORMANCE PARAMETER 性能参数		Q [m³/h]							
MODEL 型号	Matched Power 配用功率 [Kw]	1.5	2.0	3.0	4.0	5.0	6.0	7.0	8.0
PVM4-20	0.37	19	18	17	15	13	10	8	6
PVM4-30	0.55	28	27	26	24	20	18	13	10
PVM4-40	0.75	38	36	34	32	27	24	19	13
PVM4-50	1.1	47	45	43	40	34	31	23	17
PVM4-60	1.1	56	54	52	48	41	37	28	20
PVM4-70	1.5	66	63	61	56	48	43	33	24
PVM4-80	1.5	74	72	70	64	55	50	38	27
PVM4-100	2.2	96	90	87	81	71	62	48	34
PVM4-120	2.2	114	108	104	95	85	75	58	41
PVM4-140	3.0	136	126	122	112	101	89	68	48
PVM4-160	3.0	152	144	140	129	115	101	78	55
PVM4-190	4.0	183	171	168	153	137	122	93	67
PVM4-220	4.0	211	200	192	178	160	138	108	79

OVERALL DIMENSIONS & WEIGHT 尺寸和重量						
MODEL 型号	B1	B2	Dimension 尺寸 [mm] B1+B2	D1	D2	Weight 重量 [Kg]
PVM4-20	276	210	486	148	117	21
PVM4-30	303	210	513	148	117	22
PVM4-40	340	245	585	170	142	25
PVM4-50	367	245	612	170	142	27
PVM4-60	394	245	639	170	142	27
PVM4-70	431	290	721	190	155	33
PVM4-80	458	290	748	190	155	33
PVM4-100	512	290	802	190	155	37
PVM4-120	566	290	856	190	155	38
PVM4-140	630	315	945	197	165	46
PVM4-160	684	315	999	197	165	48
PVM4-190	765	335	1100	230	188	57
PVM4-220	846	335	1181	230	188	59

VERTICAL STAINLESS STEEL MULTI-STAGE PUMP

PVM SERIES / 立式不锈钢多级泵 PVM系列

DIMENSION & PERFORMANCE CURVE CHART 尺寸图 & 性能曲线图



PERFORMANCE PARAMETER 性能参数		Q [m³/h]									
MODEL 型号	Matched Power 配用功率 [Kw]	5	6	7	8	9	10	11	12		
PVM8-20/1	0.75	10	9.5	9.3	9	8.5	8	7	6		
PVM8-20	0.75	20	19.5	19	18	17	16	14	13		
PVM8-30	1.1	30	29.5	28.5	27	25	24	21	19		
PVM8-40	1.5	41	39.5	38	36	34	32	28	26		
PVM8-50	2.2	52	50	48	45	42	40	36	32		
PVM8-60	2.2	62	60	57	54	51	48	43	39		
PVM8-80	3.0	83	80	77	73	69	65	58	52		
PVM8-100	4.0	104	100	97	92	87	81	73	65		
PVM8-120	4.0	124	120	116	111	104	92	87	78		
PVM8-140	5.5	145	141	136	122	122	113	102	92		
PVM8-160	5.5	166	161	156	139	139	130	118	106		
PVM8-180	7.5	187	182	175	157	157	146	134	120		
PVM8-200	7.5	208	202	195	175	175	163	150	135		

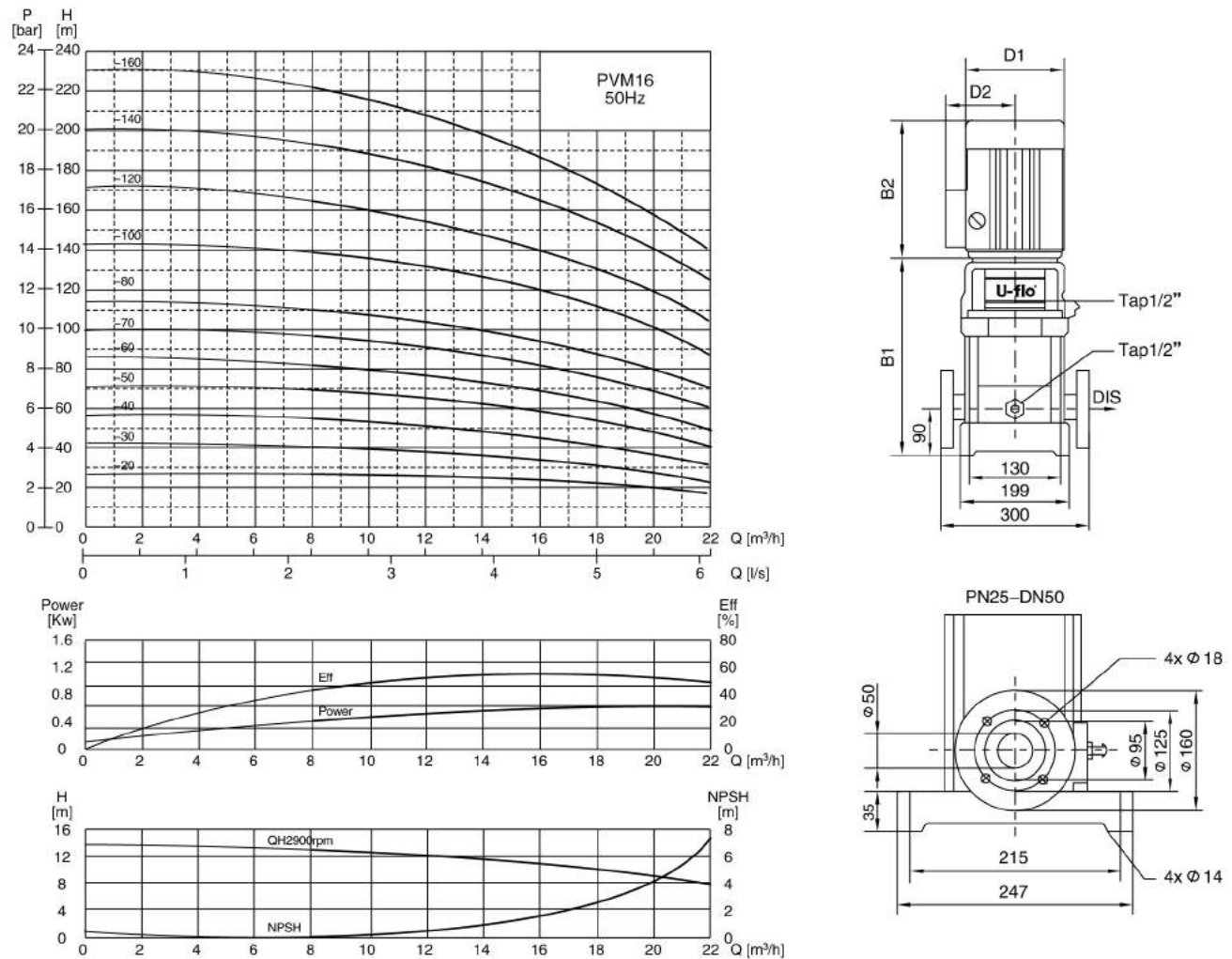
OVERALL DIMENSIONS & WEIGHT 尺寸和重量						
MODEL 型号	B1	B2	Dimension 尺寸 [mm] B1+B2	D1	D2	Weight 重量 [Kg]
PVM8-20/1	350	245	595	170	142	25
PVM8-20	350	245	595	170	142	25
PVM8-30	380	245	625	170	142	30
PVM8-40	420	290	710	190	155	30
PVM8-50	450	290	740	190	155	40
PVM8-60	480	290	770	190	155	40
PVM8-80	550	315	865	197	165	45
PVM8-100	610	335	945	230	188	55
PVM8-120	670	335	1005	230	188	55
PVM8-140	750	430	1180	260	208	80
PVM8-160	810	430	1240	260	208	80
PVM8-180	870	430	1300	260	208	90
PVM8-200	930	430	1360	260	208	90

- PVM
- PVM 2
- PVM 4
- PVM 8
- PVM 16
- PVM 30
- PVM 45
- PVM 60
- PVM 90
- PVM 120
- PVM 150
- PVM 200
- OTHERS

VERTICAL STAINLESS STEEL MULTI-STAGE PUMP

PVM SERIES / 立式不锈钢多级泵 PVM系列

DIMENSION & PERFORMANCE CURVE CHART 尺寸图 & 性能曲线图



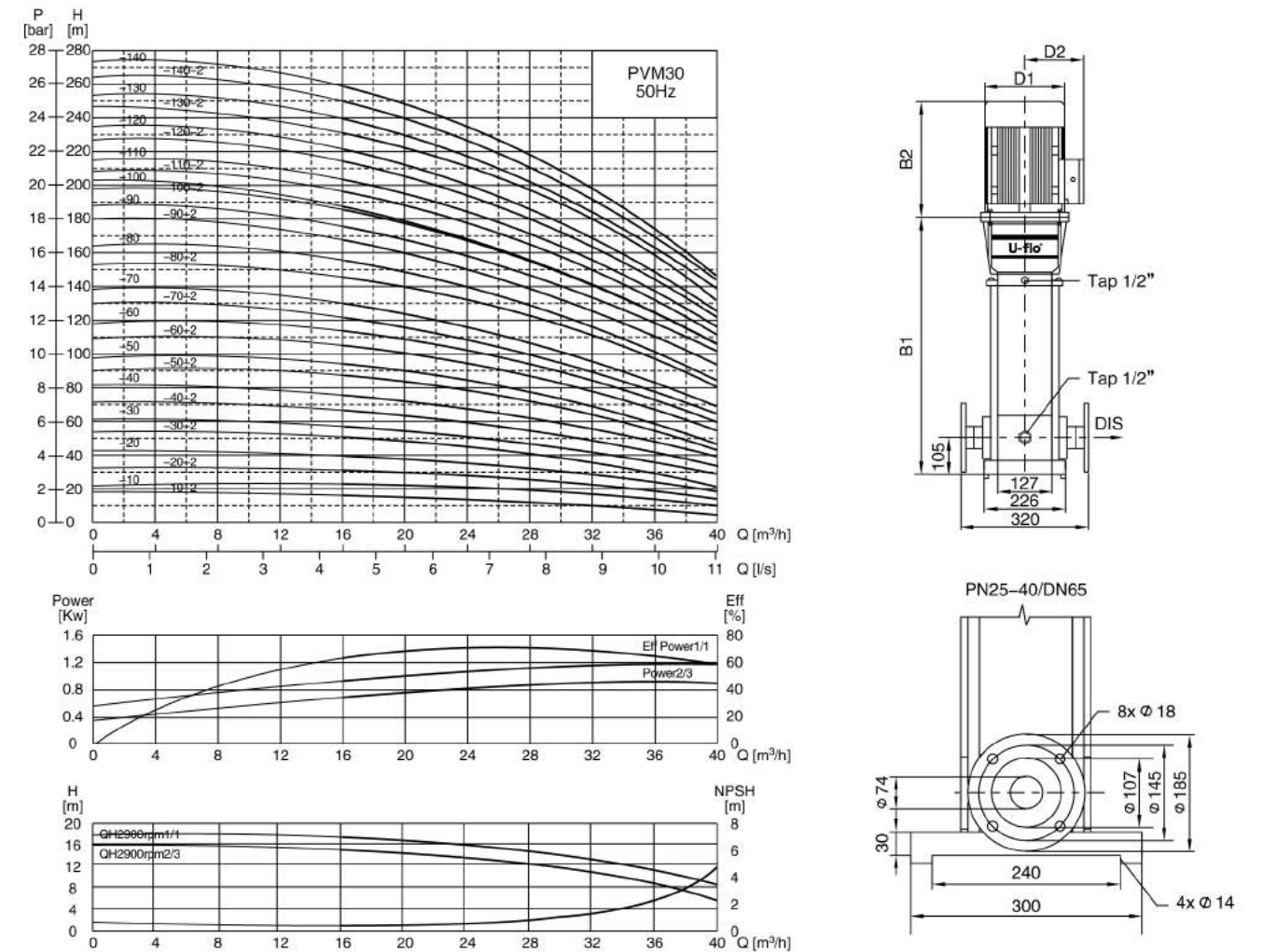
PERFORMANCE PARAMETER 性能参数										
MODEL 型号	Matched Power 配用功率 [Kw]	Q [m³/h]	8	10	12	14	16	18	20	22
PVM16-20	2.2	H [m]	27	26	25	24	22	21	19	16
PVM16-30	3.0		41	40	38	37	34	32	26	25
PVM16-40	4.0		54	53	52	49	46	43	38	34
PVM16-50	5.5		68	67	65	62	58	54	48	43
PVM16-60	5.5		82	80	78	74	70	64	58	52
PVM16-70	7.5		96	95	91	87	82	76	68	61
PVM16-80	7.5		110	108	104	99	94	86	77	70
PVM16-100	11		138	136	131	125	118	109	97	87
PVM16-120	11		166	162	157	150	141	130	116	105
PVM16-140	15		194	190	184	175	166	152	136	122
PVM16-160	15		222	217	210	200	189	174	156	140

OVERALL DIMENSIONS & WEIGHT 尺寸和重量				
MODEL 型号	B1	Dimension 尺寸 [mm]	D1	Weight 重量 [Kg]
PVM16-20	400	B2 B1+B2	190	40
PVM16-30	455	315 770	197	50
PVM16-40	500	335 835	230	55
PVM16-50	565	430 995	260	70
PVM16-60	610	430 1040	260	75
PVM16-70	655	430 1085	260	80
PVM16-80	700	430 1130	260	80
PVM16-100	820	490 1310	330	140
PVM16-120	910	490 1400	330	145
PVM16-140	1000	490 1490	330	160
PVM16-160	1090	490 1580	330	165

VERTICAL STAINLESS STEEL MULTI-STAGE PUMP

PVM SERIES / 立式不锈钢多级泵 PVM系列

DIMENSION & PERFORMANCE CURVE CHART 尺寸图 & 性能曲线图



PERFORMANCE PARAMETER 性能参数									
MODEL 型号	Matched Power 配用功率 [Kw]	Q [m³/h]	16	20	24	28	32	36	40
PVM30-10-2	1.5	H [m]	14	13	12	11	9	7	4
PVM30-10	2.2		18	17	15	14	13	11	8
PVM30-20-2	3.0		29	28	26	23	20	16	11
PVM30-20	4.0		36	34	32	29	27	23	18
PVM30-30-2	5.5		47	44	41	38	33	28	21
PVM30-30	5.5		54	51	48	44	40	35	27
PVM30-40-2	7.5		65	62	58	53	46	40	30
PVM30-40	7.5		72	69	65	59	53	47	37
PVM30-50-2	11		83	79	74	68	60	52	41
PVM30-50	11		90	86	81	74	67	59	47
PVM30-60-2	11		101	97	90	83	74	65	51
PVM30-60	11		108	104	97	90	81	72	57
PVM30-70-2	15		119	114	107	98	88	78	60
PVM30-70	15		126	121	113	105	95	85	67
PVM30-80-2	15		136	131	123	114	102	90	71
PVM30-80	15		144	138	130	120	109	97	77
PVM30-90-2	18.5		154	148	140	129	117	102	82
PVM30-90	18.5		162	156	147	136	124	109	88
PVM30-100-2	18.5		175	166	157	146	131	115	91
PVM30-100	18.5		182	173	164	152	138	122	98
PVM30-110-2	22		193	184	173	164	146	128	102
PVM30-110	22		200	191	180	168	153	135	109
PVM30-120-2	22		211	201	189	178	160	140	113
PVM30-120	22		218	208	196	184	167	147	120
PVM30-130-2	30	230	218	206	193	174	153	124	
PVM30-130	30	273	225	213	200	181	160	131	
PVM30-140-2	30	247	235	222	210	189	165	135	
PVM30-140	30	255	242	229	216	196	172	142	

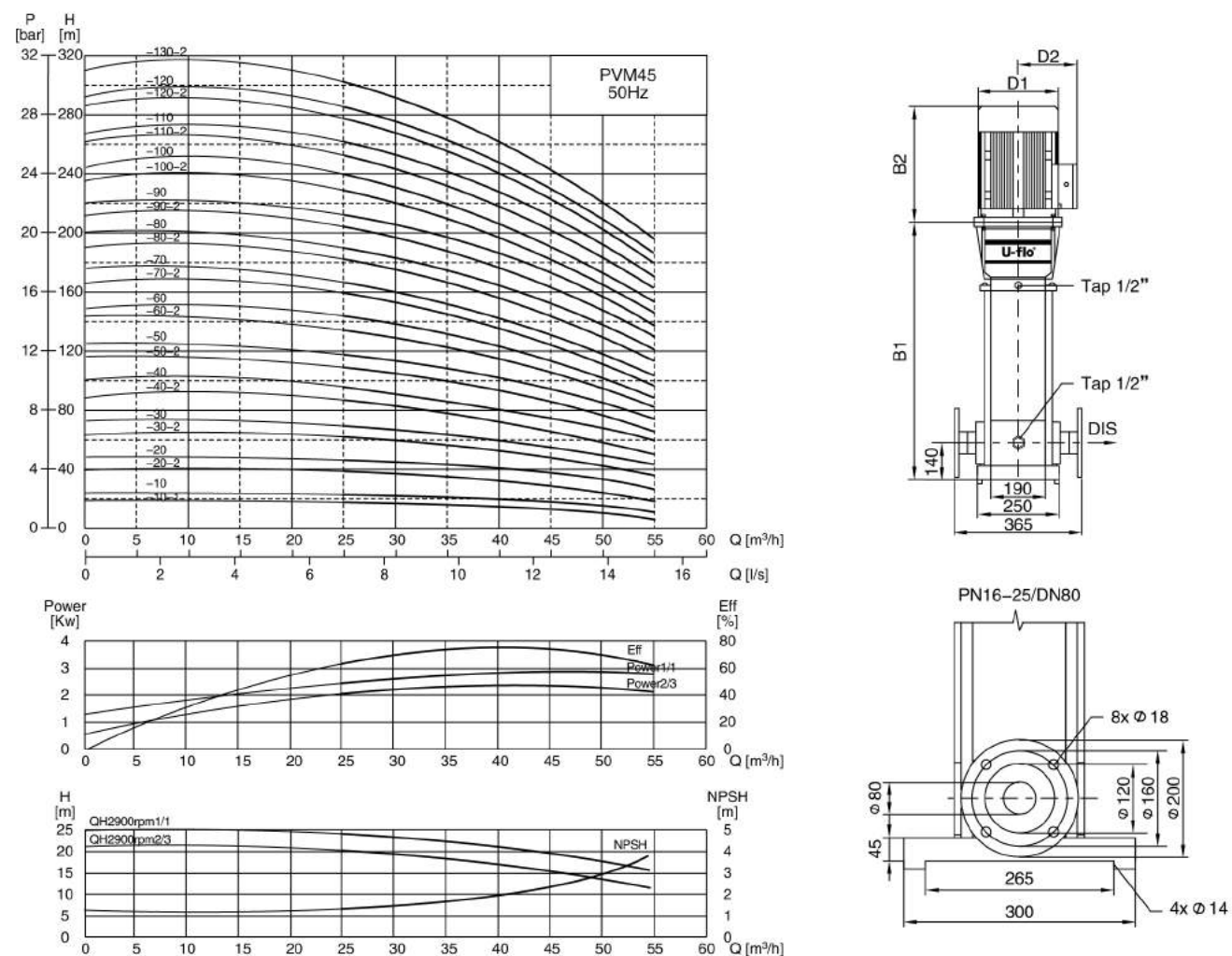
OVERALL DIMENSIONS & WEIGHT 尺寸和重量					
MODEL 型号	B1	Dimension 尺寸 [mm]	D1	D2	Weight 重量 [Kg]
PVM30-10-2	505	B2 B1+B2	190	155	68/71
PVM30-10	575	315/335 890/910	197/230	165/188	78/84
PVM30-20-2	645	430 1075	260	208	93
PVM30-20	715	490 1145	260	208	102
PVM30-30-2	890	490 1380	330	255	172
PVM30-30	960	490 1450	330	255	176
PVM30-40-2	1030	490 1520	330	255	188
PVM30-40	1100	490 1590	330	255	192
PVM30-50-2	1170	550 1720	330	255	218
PVM30-50	1240	550 1790	330	255	222
PVM30-60-2	1310	590 1900	360	285	259
PVM30-60	1380	590 1970	360	285	263
PVM30-70-2	1450	660 2110	400	310	327
PVM30-70	1520	660 2180	400	310	331

- PVM
- PVM 2
- PVM 4
- PVM 8
- PVM 16
- PVM 30
- PVM 45
- PVM 60
- PVM 90
- PVM 120
- PVM 150
- PVM 200
- OTHERS

VERTICAL STAINLESS STEEL MULTI-STAGE PUMP

PVM SERIES / 立式不锈钢多级泵 PVM系列

DIMENSION & PERFORMANCE CURVE CHART 尺寸图 & 性能曲线图



PERFORMANCE PARAMETER 性能参数

MODEL 型号	Matched Power 配用功率 [Kw]	Q [m³/h]	25	30	35	40	42	45	50	55
PVM45-10-1	3.0	H	20	19	18	17	16	15	13	11
PVM45-10	4.0		24	23	22	21	20	19	18	16
PVM45-20-2	5.5		40	38	36	33	32	30	27	23
PVM45-20	7.5		48	46	44	42	41	39	35	31
PVM45-30-2	11		63	61	58	54	52	50	44	38
PVM45-30	11		71	69	66	63	61	58	53	47
PVM45-40-2	15		87	84	80	75	73	69	62	54
PVM45-40	15		95	92	88	84	81	78	71	62
PVM45-50-2	18.5		111	107	102	96	93	88	80	69
PVM45-50	18.5		119	115	110	105	101	97	88	78
PVM45-60-2	22		135	130	124	117	113	108	97	85
PVM45-60	22		143	138	132	125	122	116	106	93
PVM45-70-2	30		158	152	146	138	134	127	115	100
PVM45-70	30		166	161	154	146	142	135	124	109
PVM45-80-2	30		182	175	168	159	154	146	133	116
PVM45-80	30		190	184	176	167	162	154	141	124
PVM45-90-2	30		205	198	190	180	175	166	150	132
PVM45-90	37		214	207	198	188	183	174	159	140
PVM45-100-2	37		230	221	212	200	194	185	168	147
PVM45-100	37		238	230	220	209	203	193	177	155
PVM45-110-2	45		255	246	236	223	217	206	188	165
PVM45-110	45		263	255	244	232	225	214	196	173
PVM45-120-2	45		80	270	259	245	238	226	206	181
PVM45-120	45		289	280	268	255	247	236	216	190
PVM45-130-2	45		305	294	282	267	259	247	225	198

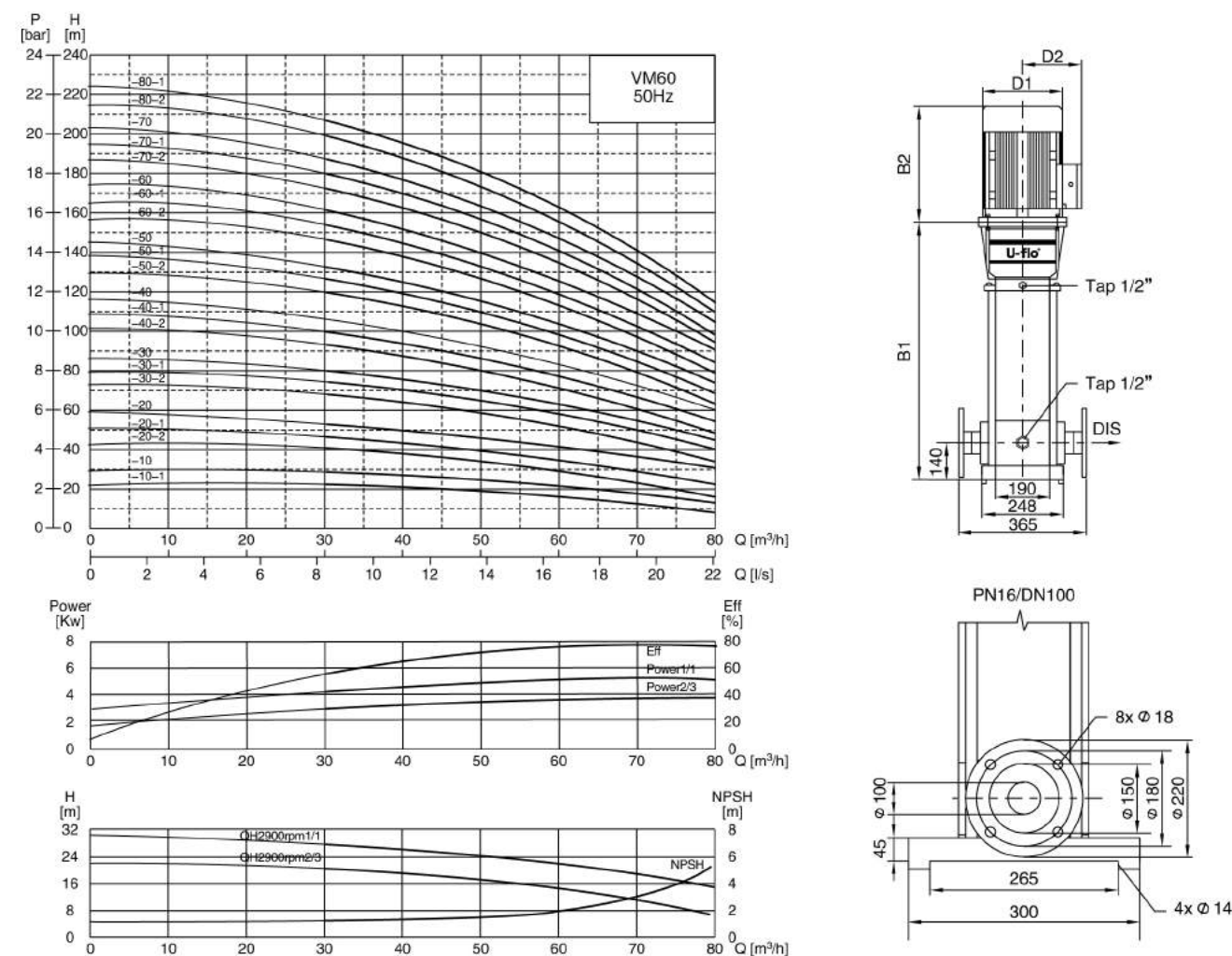
OVERALL DIMENSIONS & WEIGHT 尺寸和重量

MODEL 型号	B1	Dimension 尺寸 [mm]	B2	B1+B2	D1	D2	Weight 重量 [Kg]
PVM45-10-1	561	315/335	876/896	197/230	165/188	86/92	
PVM45-10							
PVM45-20-2	641	430	1071	260	208	102/107	
PVM45-20							
PVM45-30-2	826	490	1316	330	255	175	
PVM45-30							
PVM45-40-2	906	490	1396	330	255	187	
PVM45-40							
PVM45-50-2	986	550	1536	330	255	208	
PVM45-50							
PVM45-60-2	1066	590	1656	360	285	251	
PVM45-60							
PVM45-70-2	1146	660	1806	400	310	315	
PVM45-70							
PVM45-80-2	1226	660	1886	400	310	319	
PVM45-80							
PVM45-90-2	1306	660	1966	400	310	323/343	
PVM45-90							
PVM45-100-2	1386	660	2046	400	310	347	
PVM45-100							
PVM45-110-2	1446	700	2166	450	345	413	
PVM45-110							
PVM45-120-2	1546	700	2246	450	345	417	
PVM45-120							
PVM45-130-2	1626	700	2326	450	345	421	

VERTICAL STAINLESS STEEL MULTI-STAGE PUMP

PVM SERIES / 立式不锈钢多级泵 PVM系列

DIMENSION & PERFORMANCE CURVE CHART 尺寸图 & 性能曲线图



PERFORMANCE PARAMETER 性能参数

MODEL 型号	Matched Power 配用功率 [Kw]	Q [m³/h]	30	40	50	60	65	70	80
PVM60-10-1	4.0	H	19	18	16	14	13	11	8
PVM60-10	5.5		27	25	23	21	20	18	15
PVM60-20-2	7.5		39	36	33	29	26	23	17
PVM60-20-1	11		46	44	40	36	33	30	24
PVM60-20	11		53	51	47	43	40	37	30
PVM60-30-2	15		66	62	56	50	46	41	32
PVM60-30-1	15		73	69	63	57	53	48	39
PVM60-30	18.5		80	76	70	64	60	55	46
PVM60-40-2	18.5		92	87	80	71	66	60	47
PVM60-40-1	22		100	94	87	78	73	67	54
PVM60-40	22		107	101	94	85	80	74	61
PVM60-50-2	30		121	114	105	95	88	80	64
PVM60-50-1	30		128	121	112	102	95	87	71
PVM60-50	30		136	129	119	109	102	94	78
PVM60-60-2	30		150	142	131	118	110	101	81
PVM60-60-1	37		157	149	138	125	117	108	88
PVM60-60	37		164	156	145	132	124	115	95
PVM60-70-2	37		179	169	165	141	132	121	99
PVM60-70-1	37		186	176	163	148	139	128	106
PVM60-70	45		193	183	170	155	146	135	112
PVM60-80-2	45		207	196	182	164	154	142	116
PVM60-80-1	45		215	203	189	171	161	149	123

OVERALL DIMENSIONS & WEIGHT 尺寸和重量

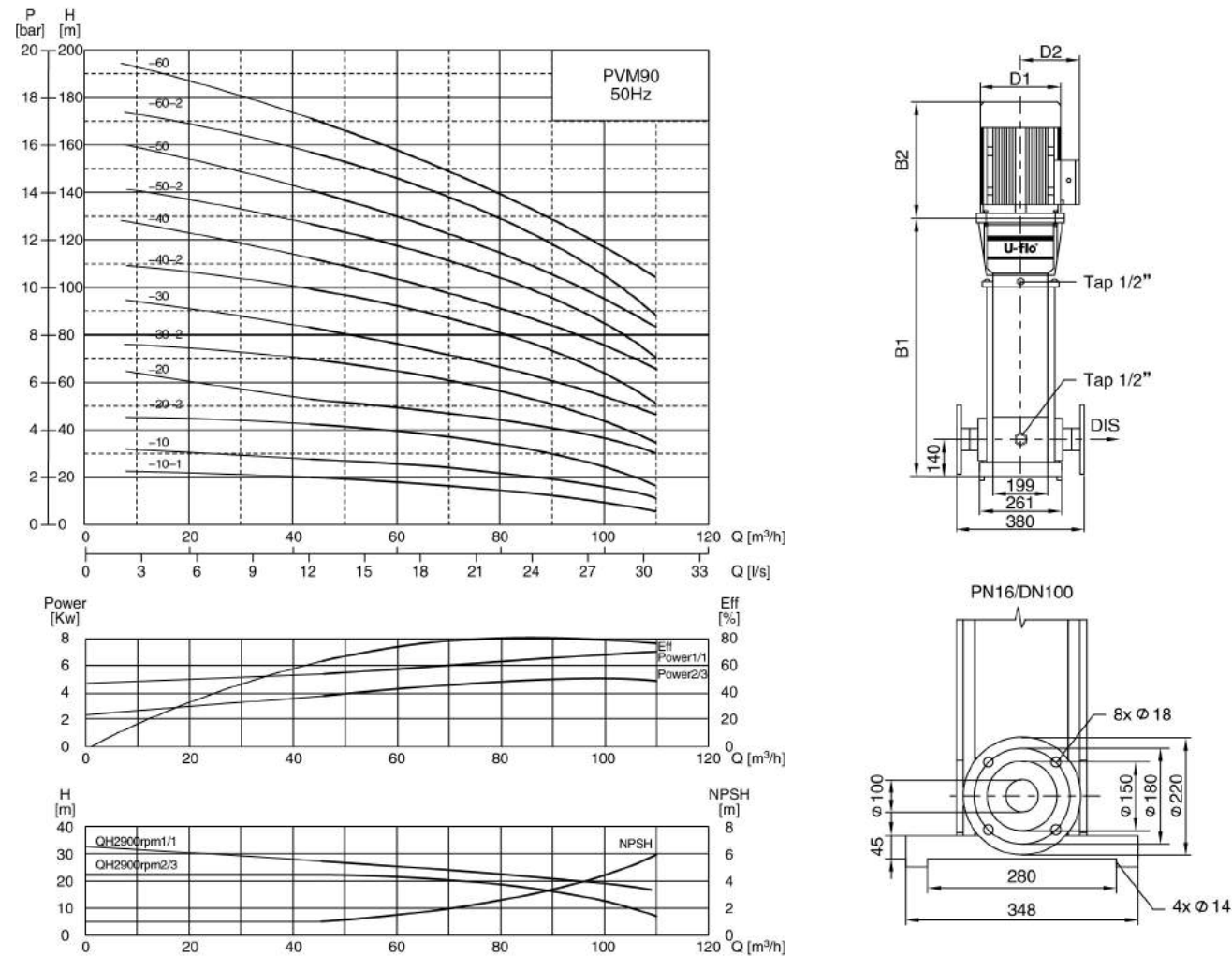
MODEL 型号	B1	Dimension 尺寸 [mm]	B2	B1+B2	D1	D2	Weight 重量 [Kg]
PVM60-10-1	561	335	896	230	188	105	
PVM60-10	561	430	991	260	208	110	
PVM60-20-2	644	430	1074	260	208	120	
PVM60-20-1	754	490	1244	330	255	155	
PVM60-20	754	490	1244	330	255	155	
PVM60-30-2	836	490	1326	330	255	195	
PVM60-30-1	836	490	1326	330	255	195	
PVM60-30	836	550	1386	330	255	205	
PVM60-40-2	919	550	1469	330	255	208	
PVM60-40-1	919	590	1509	360	285	160	
PVM60-40	919	590	1509	400	310	160	
PVM60-50-2	1001	660	1661	400	310	345	
PVM60-50-1	1001	660	1661	400	310	345	
PVM60-50	1001	660	1661	400	310	345	
PVM60-60-2	1084	660	1744	400	310	350	
PVM60-60-1	1084	660	1744	400	310	370	
PVM60-60	1084	660	1744	400	310	370	
PVM60-70-2	1166	660	1826	400	310	375	
PVM60-70-1	1166	660	1826	400	310	375	
PVM60-70	1166	710	1876	400	310	435	
PVM60-80-2	1248	710	1958	460	340	440	
PVM60-80-1	1248	710	1958	460	340	440	

- PVM
- PVM 2
- PVM 4
- PVM 8
- PVM 16
- PVM 30
- PVM 45
- PVM 60
- PVM 90
- PVM 120
- PVM 150
- PVM 200
- OTHERS

VERTICAL STAINLESS STEEL MULTI-STAGE PUMP

PVM SERIES / 立式不锈钢多级泵 PVM系列

DIMENSION & PERFORMANCE CURVE CHART 尺寸图 & 性能曲线图



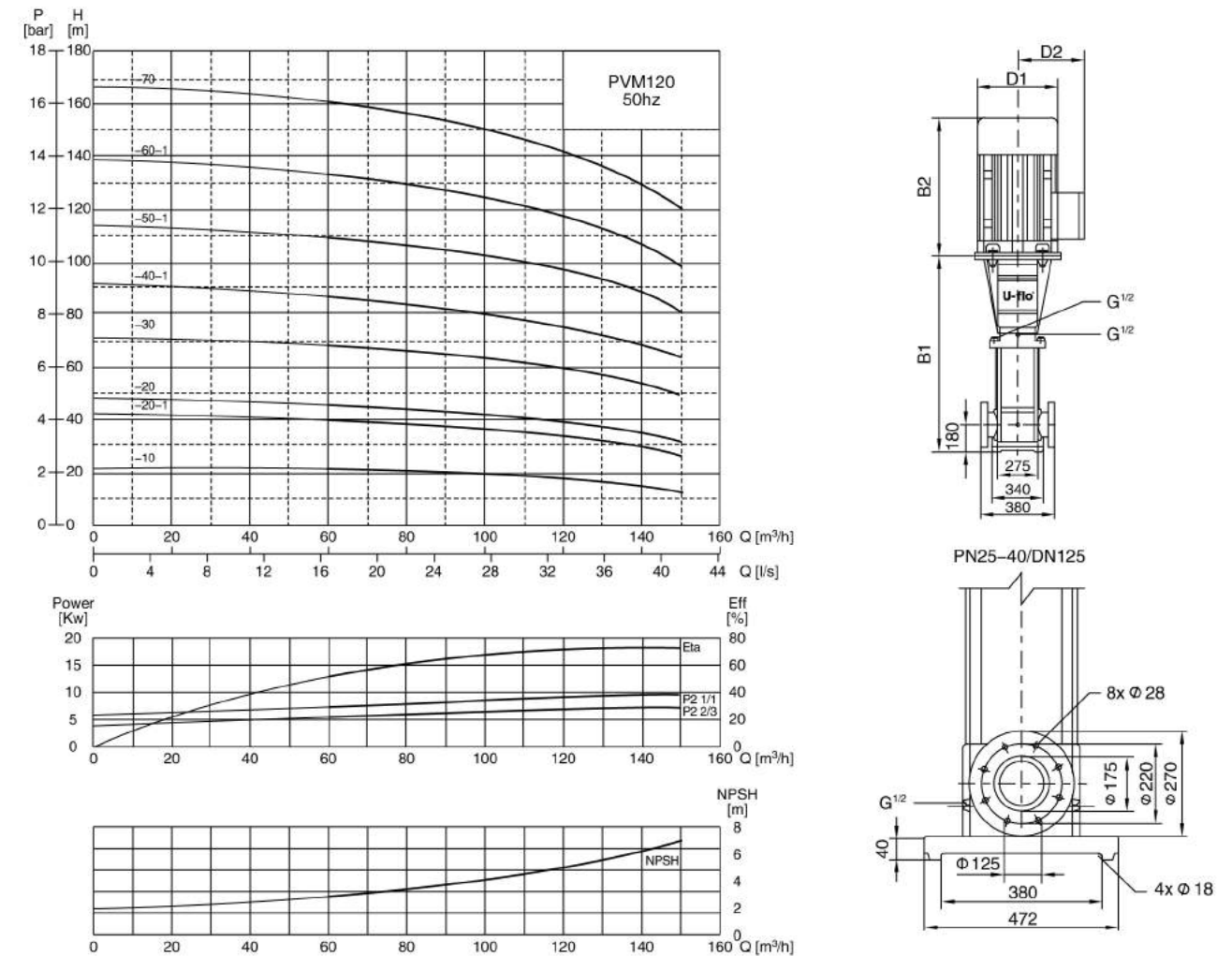
PERFORMANCE PARAMETER 性能参数										
MODEL 型号	Matched Power 配用功率 [Kw]	Q [m³/h]	50	60	70	80	85	90	100	110
PVM90-10-1	5.5	H [m]	22	19	17	16	14	13	10	6
PVM90-10	7.5		25	24	22	21	20	19	16	12
PVM90-20-2	11		41	39	36	32	30	28	22	15
PVM90-20	15		53	50	47	44	41	40	36	30
PVM90-30-2	18.5		68	65	60	55	52	49	41	32
PVM90-30	22		81	77	72	67	64	62	55	48
PVM90-40-2	30		98	93	87	80	75	72	62	50
PVM90-40	30		110	105	100	92	86	84	76	66
PVM90-50-2	37		126	120	113	104	98	93	81	68
PVM90-50	37		139	131	124	115	110	106	94	83
PVM90-60-2	45		155	148	139	129	122	117	102	86
PVM90-60	45		168	160	150	141	134	130	117	103

OVERALL DIMENSIONS & WEIGHT 尺寸和重量							
MODEL 型号	B1	Dimension 尺寸 [mm]	B2	B1+B2	D1	D2	Weight 重量 [Kg]
PVM90-10-1	571		430	1001	260	208	120
PVM90-10	571		430	1001	260	208	122
PVM90-20-2	773		490	1263	330	255	165
PVM90-20	773		490	1263	330	255	198
PVM90-30-2	865		550	1415	330	255	212
PVM90-30	865		550	1455	330	285	265
PVM90-40-2	957		660	1617	400	310	348
PVM90-40	957		660	1617	400	310	348
PVM90-50-2	1049		660	1709	400	310	375
PVM90-50	1049		660	1709	400	310	375
PVM90-60-2	1141		710	1851	460	340	438
PVM90-60	1141		710	1851	460	340	438

VERTICAL STAINLESS STEEL MULTI-STAGE PUMP

PVM SERIES / 立式不锈钢多级泵 PVM系列

DIMENSION & PERFORMANCE CURVE CHART 尺寸图 & 性能曲线图



PERFORMANCE PARAMETER 性能参数												
MODEL 型号	Matched Power 配用功率 [Kw]	Q [m³/h]	60	70	80	90	100	110	120	130	140	150
PVM120-10	11	H [m]	22	21.8	216	21	20.5	19.5	18.5	17	16	15
PVM120-20-1	18.5		41	40	39.5	38.5	37	36.5	34.5	32.5	30	27.5
PVM120-20	22		46	45	44.5	43.5	42.4	41	40	38	36	33.5
PVM120-30	30		69.5	68.5	67.5	66	64.4	62.5	61	57.5	54.5	51
PVM120-40-1	37		87	86	84.5	82	80	78	76	72	68	64.5
PVM120-50-1	45		110.5	109	107.5	105	102	100	97	92	86.5	83
PVM120-60-1	55		137	132	130.5	127	124	121	118	111	105	100
PVM120-70	75		162.5	160.5	158.5	155	151	148	145	137	129	123

OVERALL DIMENSIONS & WEIGHT 尺寸和重量							
MODEL 型号	B1	Dimension 尺寸 [mm]	B2	B1+B2	D1	D2	Weight 重量 [Kg]
PVM120-10	840		490	1330	330	255	230
PVM120-20-1	1000		550	1550	330	255	250
PVM120-20	1000		590	1590	360	285	285
PVM120-30	1160		660	1820	400	310	360
PVM120-40-1	1320		660	1980	400	310	400
PVM120-50-1	1480		700	2180	460	340	470
PVM120-60-1	1670		770	2440	540	370	585
PVM120-70	1830		845	2675	580	410	715

PVM

PVM 2

PVM 4

PVM 8

PVM 16

PVM 30

PVM 45

PVM 60

PVM 90

PVM 120

PVM 150

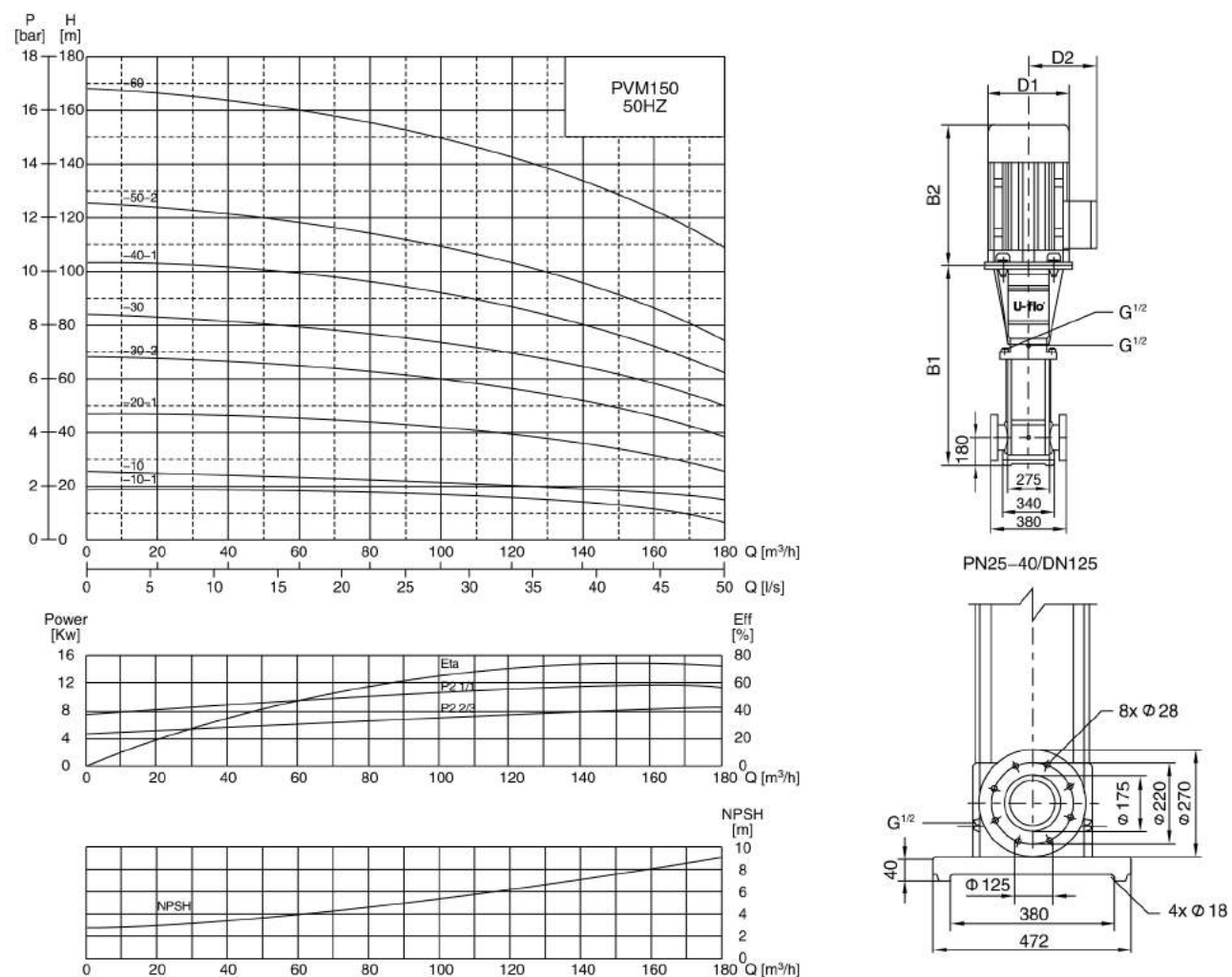
PVM 200

OTHERS

VERTICAL STAINLESS STEEL MULTI-STAGE PUMP

PVM SERIES / 立式不锈钢多级泵 PVM系列

DIMENSION & PERFORMANCE CURVE CHART 尺寸图 & 性能曲线图



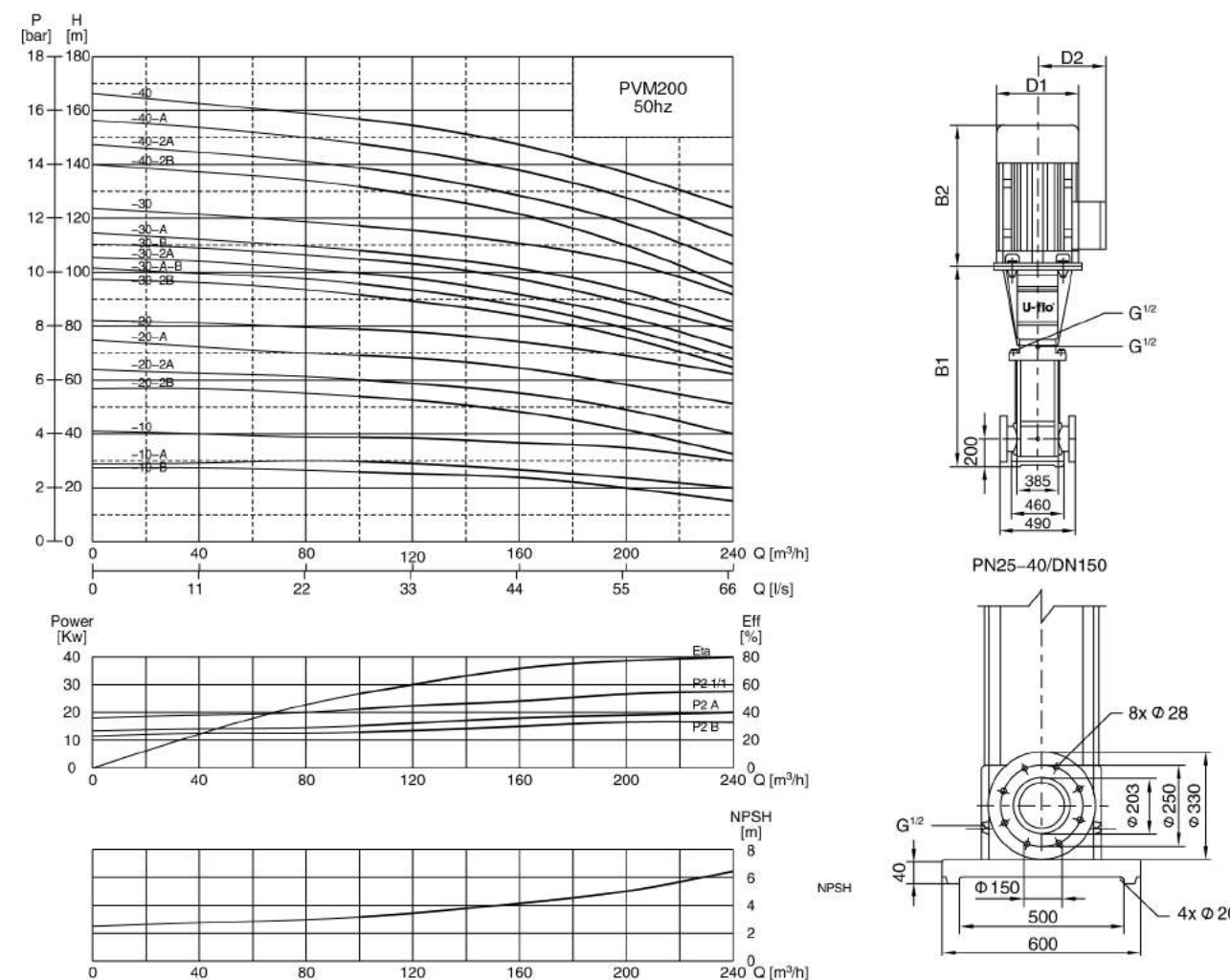
PERFORMANCE PARAMETER 性能参数													
MODEL 型号	Matched Power 配用功率 [Kw]	Q [m³/h]	80	90	100	110	120	130	140	150	160	170	180
PVM150-10-1	11	H	18.3	17.5	17.3	17	16	15	14	12.5	11	10	8.5
PVM150-10	15		24	23	22.5	22	21.5	20.5	20	18.5	17	16	15
PVM150-20-1	22		44.3	43	42	40	39	38.5	37.5	35	33	30	27
PVM150-30-2	30		63.5	61	59	57.5	56	54.5	5	49	45.5	42	39
PVM150-30	37		78	76.5	75	73	70.5	68	66	63	59	55	50.5
PVM150-40-1	45		96.5	94	91.5	89	86.5	84	81.5	77	72.5	67	62
PVM150-50-2	55		115.5	112	109	106	102.5	100	97	92	86	79	73.5
PVM150-60	75		157	153	149	145	142	139.5	137	130	123.5	116	109

OVERALL DIMENSIONS & WEIGHT 尺寸和重量						
MODEL 型号	B1	B2	B1+B2	D1	D2	Weight 重量 [Kg]
PVM150-10-1	840	490	1330	330	255	230
PVM150-10	840	490	1330	330	255	235
PVM150-20-1	1000	590	1590	360	285	295
PVM150-30-2	1160	660	1820	400	310	360
PVM150-30	1160	660	1820	400	310	385
PVM150-40-1	1320	700	2020	460	340	460
PVM150-50-2	1510	770	2280	540	370	570
PVM150-60	1670	845	2515	580	410	700

VERTICAL STAINLESS STEEL MULTI-STAGE PUMP

PVM SERIES / 立式不锈钢多级泵 PVM系列

DIMENSION & PERFORMANCE CURVE CHART 尺寸图 & 性能曲线图



PERFORMANCE PARAMETER 性能参数										
MODEL 型号	Matched Power 配用功率 [Kw]	Q [m³/h]	100	120	140	160	180	200	220	240
PVM200-10-B	18.5	H	25.5	25	24	23	21.5	20	18	15.5
PVM200-10-A	22		29	28.5	27.5	26.5	25.5	24	22	20
PVM200-10	30		38.5	38	37.5	36.5	35	34	32.5	30
PVM200-20-2B	37		53	51	49	47	44	41	37	32
PVM200-20-2A	45		59.5	58	56	54	52.5	49	44.5	40.5
PVM200-20-A	55		69	68	66	64	62	59	55.5	51
PVM200-20	55		78.5	77.5	76	74	71.5	69	66	61.5
PVM200-30-2B	75		91.5	89	86.5	83.5	79	75	70	63
PVM200-30-A-B	75		95	93	90	87	83.5	79	73.5	67
PVM200-30-2A	75		99.5	97.5	94.5	91.5	89	84	78.5	72
PVM200-30-B	75		104.5	102.5	100	97	93	89	84.5	77.5
PVM200-30-A	75		108	106	103.5	100.5	97.5	93	88	81.5
PVM200-30	90		117.5	116	113.5	110.5	107	103	99	92
PVM200-40-2B	90		131.5	129	125.5	121	115.5	110	103.5	94
PVM200-40-2A	110		138.5	136	132	128	124	118	111	102.5
PVM200-40-A	110		148	145.5	142.5	138	134	128	122	113
PVM200-40	110		157.5	155.5	152.5	148	143.5	138	132.5	123.5

OVERALL DIMENSIONS & WEIGHT 尺寸和重量						
MODEL 型号	B1	B2	B1+B2	D1	D2	Weight 重量 [Kg]
PVM200-10-B	907	550	1457	330	255	311
PVM200-10-A	907	590	1497	360	285	347
PVM200-10	907	660	1567	400	310	403
PVM200-20-2B	1101	660	1761	400	310	447
PVM200-20-2A	1101	700	1801	460	340	504
PVM200-20-A	1131	770	1901	540	370	595
PVM200-20	1131	770	1901	540	370	595
PVM200-30-2B	1325	845	2170	580	410	748
PVM200-30-A-B	1325	845	2170	580	410	748
PVM200-30-2A	1325	845	2170	580	410	748
PVM200-30-B	1325	845	2170	580	410	748
PVM200-30-A	1325	845	2170	580	410	748
PVM200-30	1325	895	2220	580	410	817
PVM200-40-2B	1519	895	2414	580	410	830
PVM200-40-2A	1519	1140	2659	645	550	1180
PVM200-40-A	1519	1140	2659	645	550	1180
PVM200-40	1519	1140	2659	645	550	1180

VERTICAL STAINLESS STEEL MULTI-STAGE PUMP

PVM SERIES / 立式不锈钢多级泵 PVM系列

Technology Index 技术索引

Material Compatibility Table of Different Pumped Medium 泵在不同输送介质下的材料兼容性表

Liquid 液体	concentration 浓度 [%]	Min. T 温度最低 Max. T 最高 [°C]	Density 密度 [Kg/dm ³]	PVM2 / 4 / 8 / 16		PVM30-VM30		Seal Recommended 推荐密封	Rubber Parts 橡胶件
				Standard Type 标准型	N Type N型	Standard Type 标准型	N Type N型		
Water	水	100	-5/+120	*	*	*	*	Q1BEGG	E
Deionized, Desalted, Distilled Water	脱离子, 脱盐或蒸馏水	100	-25/+110	*	*	*	*	Q1BEGG	E
Water & Oil Emulsion	水和油乳剂	Any	-5/+90	*	*	*	*	Q1BVGG	V
Acetic Acid	醋酸	(·)	80	-10/+70	1.05	*	*	Q1BEGG	E
Citric Acid	柠檬酸	5	-10/+70	1.54	*	*	*	Q1BEGG	E
Hydrochloric Acid	氢氟酸	2	-5/+25	1.20	*	*	*	Q1Q1VGG	V
Phosphoric Acid	磷酸	10	-5/+30	1.33	*	*	*	Q1BEGG	E
Nitric Acid	硝酸	(·)	50	-5/+30	1.48	*	*	Q1Q1VGG	V
Chlorhydric Acid	盐酸	(·)	2	-10/+25	1.84	*	*	Q1BVGG	V
Tannic Acid	鞣酸	20	0/+50	*	*	*	*	Q1BEGG	E
Tartaric Acid	酒石酸	50	-10/+25	1.76	*	*	*	Q1Q1VGG	V
Uric Acid	尿酸	80	-10/+80	1.89	*	*	*	Q1BEGG	E
Benzoic Acid	苯甲酸	70	0/+70	1.31	*	*	*	Q1BVGG	V
Boric Acid	硼酸	satura	-10/+90	1.43	*	*	*	Q1QVGG	V
Formic Acid	蚁酸	(·)	5	-15/+25	1.22	*	*	Q1BEGG	E
Ethanol	乙醇	(·)	100	-5/+40	0.81	*	*	Q1BEGG	E
Carbinol	甲醇	(·)	100	-5/+40	0.79	*	*	Q1BEGG	E
Propyl Alcohol	丙醇	(·)	100	-5/+80	0.80	*	*	Q1BEGG	E
Butanol	丁醇	100	-5/+80	0.81	*	*	*	Q1BVGG	V
Industrial Alcohol	工业酒精	(·)	100	-5/+70	0.81	*	*	Q1BEGG	E
Ammonia Water	氨水	(·)	25	-20/+50	0.99	*	*	Q1BEGG	E
Chloroform	氯仿		-10/+30	1.48	*	*	*	Q1BVGG	V
Caustic Soda	苛性钠	25	0/+70	2.13	*	*	*	Q1Q1EGG	E
Mixture of Water, Detergent, Mineral	水, 洗涤剂, 矿物质混合物		-5/+80	*	*	*	*	Q1Q1VGG	V
Cleaning Product	清洗产品		-5/+100	*	*	*	*	Q1Q1VGG	V
Diesel	柴油	(·)	100	0/+80	0.90	*	*	Q1BVGG	V
Kerosene	煤油	(·)	100	0/+80	*	*	*	Q1BVGG	V
Fuel Oil	燃料油	(·)	100	0/-90	0.76	*	*	Q1BVGG	V
Glycerin	甘油	100	+20/+90	1.26	*	*	*	Q1BEGG	E
Sodium Hypochlorite	次氯酸钠	1	-10/+25	*	*	*	*	Q1Q1VGG	V
Phosphate/Polyphosphate	磷酸盐/聚磷酸盐		-5/+90	*	*	*	*	Q1Q1VGG	V
Formaldehyde	甲醛	100	0/+30	1.13	*	*	*	Q1Q1TGG	T
Sodium Nitrate	硝酸钠	Satura	-10/+80	2.25	*	*	*	Q1BEGG	E
Cutter Lubricant	切削油	100	-5/+110	0.90	*	*	*	Q1BVGG	V
Arachis Oil	花生油	(·)(·)	100	-5/+110	0.95	*	*	Q1BEGG	E
Rape Oil	菜子油	(·)(·)	100	-5/+110	0.94	*	*	Q1BEGG	E
Linseed Oil	亚麻子油	(·)(·)	100	-5/+110	0.92	*	*	Q1BEGG	E
Coconut Oil	椰子油	(·)(·)	100	-20/+90	*	*	*	Q1BEGG	E
Soya-bean Oil	豆油	(·)(·)	100	0/+90	0.09	*	*	Q1BEGG	E
透热油	透热油	100	-5/+110	*	*	*	*	Q1BVGG	V
Hydraulic Oil	液压油	100	-5/+110	0.94	*	*	*	Q1BVGG	V
Mineral Oil	矿物油	100	-5/+110	2.60	*	*	*	Q1BVGG	V
Sodium Sulfate	硫酸钠	15	-10/+40	2.71	*	*	*	Q1Q1EGG	E
Aluminum Sulfate	硫酸铝	30	-5/+50	1.77	*	*	*	Q1Q1EGG	E
Ammonium Sulfate	硫酸铵	10	-10/+60	2.09	*	*	*	Q1Q1EGG	E
Ferric Sulfate	硫酸铁	10	-5/+30	2.28	*	*	*	Q1BEGG	E
Copper Sulfate	硫酸铜	20	-10/+40	1.46	*	*	*	Q1Q1VGG	V
Triclene	三氯乙烯		0/+30	1.60	*	*	*	Q1Q1VGG	V
Perchloroethylene	全氯乙烯		-10/+30	*	*	*	*	Q1Q1VGG	V

PVM OPTIONS PVM系列机械密封选项

Standard 标准	Q1BEGG
Option1 选项1	Q1Q1EGG
Option2 选项2	Q1BVGG
Option3 选项3	Q1Q1VGG
Option4 选项4	Q1CTGG
Option5 选项5	Q1Q1TGG

Meaning of code/代码含义:

Q1 = Carbofrax /碳化硅
B = Resin impregnated carbon/树脂清渍碳
C = Special resin impregnated carbon/特种树脂清渍碳

E = EPDM/三元乙丙橡胶

V = FPM氟化橡胶

T = PTFE/聚四氟乙烯

G = AISI316

VERTICAL STAINLESS STEEL MULTI-STAGE PUMP

PVM SERIES / 立式不锈钢多级泵 PVM系列

NPSH 汽蚀余量

泵吸入端的最小压力由于可能产生汽蚀而受到限制。

汽蚀现象是液体中形成的气泡，其中的压力局部降到一个临界值或局部压力等于或刚好低于液体的蒸汽压力。气泡随水流流动，当它达到较高的压力区时，包含在空穴中的蒸汽浓缩。汽蚀碰撞，产生传输到壁上的压力波。由于遭受应力循环，这些管壁会逐渐变形，由于疲劳而弯曲。这种以敲打管壁产生金属噪声为特征的现象被称为汽蚀。

由于管壁的塑性变形，汽蚀造成的损坏因电化学腐蚀和局部的温度的增加而加剧。耐热和耐腐蚀性最高的材质是合金钢，特别是奥氏体钢。触发汽蚀的条件可通过计算总的净吸水头来决定，技术文献中净吸水头用缩写NPSH表示。

NPSH表示在初始汽蚀条件下在吸入端测得的总液体能量（用米表示）不包括泵吸入口液体具有的蒸汽压力（用米表示）。在安全条件下安装机器的静态高度，必需用公式验证： $H_p + h_z \geq (NPSH_r + 0.5) + h_f + h_{pv}$ 其中：

hp: 是施加到吸入自由液体表面的绝对压力，单位m.表示；hp大气压力与液体比重之间的商数。

hz: 是泵轴与吸入罐自由液体表面之间的吸升高度，用m.表示；当液位低于泵轴时hz是负数。

hf: 是吸入管路及其附件，如管配件，底阀，闸阀，弯管等流动阻力。

h_{pv}: 是工作温度下液体的蒸汽压力，用m.表示；h_{pv}是蒸汽压力p_v与液体比重之间的商数。

0.5: 是安全系数。

安装时，最大的吸水高度取决于泵所在地的大气压力（安装的海拔高度）和液体温度。

为了帮助用户了解水温和海拔高度对吸水高度的影响，下表提供了相对于海拔高度的液压水头的下降和相对于温度的吸升损失。

水温 (°C)	20	40	60	80	90	110	120
吸升损失	0.2	0.7	2.0	5.0	7.4	15.4	21.5
海拔高度	500	1000	1500	2000	2500	3000	
吸升损失	0.55	1.1	1.65	2.2	2.75	3.3	

流动阻力参见后面的有关表格中数据。要将它降低到最低点，尤其在高吸入水头（4-5米以上）或高流速工作极限内，我们建议使用比泵吸入口直径大的吸入管线。

进行下列计算

液体: 温度15°C的水=1kg/dm³

所需流量: 30m³/h

所需扬程: 43m

吸升高度: 3.5m

适用的泵是PVM30-30泵，它的NPSH值在30m³/h时为2m。对于15°C的水，

$h_{pv} = 0.174m(0.01701bar)$ $H = p_a/p = 10.33m$ 安装着底阀的吸入管线中的流动阻力是1.2m。

用上述数值代入公式中，我们得到： $10.33 + (-3.5) \geq 2 + 0.5 + 1.2 + 0.7$

从中我们得知： $6.8 > 4.4$ 关系式，因此可以验证。

PVM

PVM 2

PVM 4

PVM 8

PVM 16

PVM 30

PVM 45

PVM 60

PVM 90

PVM 120

PVM 150

PVM 200

OTHERS

VERTICAL STAINLESS STEEL MULTI-STAGE PUMP

PVM SERIES / 立式不锈钢多级泵
PVM系列

VALVE ELBOW 阀门 弯头

Flow Resistance of Elbow Valve & Gate Valve (CM Water Column) 弯头、阀门和闸阀的流动阻力 (CM水柱)

Flow Rate 流速	Sharp Elbow 锐角弯头					Smooth Elbow 光滑弯头					Standard Gate Valve 标准闸阀	Foot Valve 底阀	Check Valve 止回阀
	a=30	a=40	a=60	a=80	a=90	=0.4	=0.6	=0.8	=1	1.5			
0.10	0.03	0.04	0.05	0.07	0.08	0.007	0.008	0.01	0.0155	0.027	0.030	30	30
0.15	0.06	0.07	0.10	0.14	0.17	0.016	0.019	0.024	0.033	0.06	0.033	31	31
0.2	0.11	0.13	0.18	0.26	0.31	0.028	0.033	0.04	0.058	0.11	0.058	31	31
0.25	0.17	0.21	0.28	0.4	0.48	0.044	0.052	0.063	0.091	0.17	0.090	31	31
0.3	0.25	0.30	0.41	0.6	0.7	0.063	0.074	0.09	0.13	0.25	0.13	31	31
0.35	0.33	0.40	0.54	0.8	0.93	0.085	0.10	0.12	0.18	0.33	0.18	31	31
0.4	0.43	0.52	0.71	1.0	1.2	0.11	0.13	0.16	0.23	0.43	0.23	32	31
0.5	0.67	0.81	1.1	1.6	1.9	0.18	0.21	0.26	0.37	0.67	0.37	33	32
0.6	0.97	1.2	1.6	2.3	2.8	0.25	0.29	0.36	0.52	0.97	0.52	34	32
0.7	1.35	1.65	2.2	3.2	3.9	0.34	0.40	0.48	0.70	1.35	0.70	35	32
0.8	1.7	2.1	2.8	4.0	4.8	0.45	0.53	0.64	0.93	1.7	0.95	36	33
0.9	2.2	2.7	3.6	5.2	6.2	0.57	0.67	0.82	1.18	2.2	1.20	37	34
1.0	2.7	3.3	4.5	6.4	7.6	0.7	0.82	1.0	1.45	2.7	1.45	38	35
1.5	6.0	7.3	10	14	17	1.6	1.9	2.3	3.3	6	3.3	47	40
2.0	11	14	18	26	31	2.8	3.3	4.0	5.8	11	5.8	61	48
2.5	17	21	28	40	48	4.4	5.2	6.3	9.1	17	9.1	78	58
3.0	25	30	41	60	70	6.3	7.4	9	13	25	13	100	71
3.5	33	40	55	78	93	8.5	10	12	18	33	18	123	85
4.0	43	52	70	100	120	11	13	16	23	42	23	150	100
4.5	55	67	90	130	160	14	21	26	37	55	37	190	120
5.0	67	82	110	160	190	18	29	36	52	67	32	220	140

1. The flow resistance in elbow is caused by the Contraction of flow line what is due to the change of direction.

2. The flow resistance of the value and gate valve are confirmed according to the actual test results.

1. 弯头中的流动阻力是由于方向的改变导致流线的收缩引起的。

2. 阀门和闸阀的流动阻力值根据实际的测试结果而定。

VERTICAL STAINLESS STEEL MULTI-STAGE PUMP

PVM SERIES / 立式不锈钢多级泵
PVM系列

Unit Conversion Tables 单位换算表

Flow 流量

升每分 (l/min)	立方米每小时 (m ³ /h)	立方英尺每小时 (ft ³ /h)	立方英尺每分钟 (ft ³ /min)	英制加仑每分钟 (Imp.gal./min)	美制加仑每分钟 (US gal./min)
1.0000	0.06600	2.1189	0.0353	0.2200	0.2640
16.6670	1.0000	35.3147	0.5886	3.6660	4.4030
0.4720	0.0283	1.0000	0.0167	0.1040	0.1250
28.3170	1.6990	60.0000	1.0000	6.2290	7.4800
4.5460	0.2728	9.6326	0.1605	1.0000	1.2010
3.7850	0.2271	8.0209	0.1337	0.8330	1.0000
0.1100	0.0066	0.2339	0.0039	0.2040	0.2090

Pressure and water 压力与水

每平方米牛顿 (N/m ²)	千帕 (kpa)	巴 (bar)	英磅平方英寸 (psi)	米水柱 (m H ₂ O)	毫米水银柱 (mm Hg)
1.0000	0.0010	1*105	1.45*10 ⁻⁴	1.02*10 ⁻⁴	0.0075
1.000.0000	1.0000	0.0100	0.1450	0.1020	7.5000
100.000.0000	100.0000	1.0000	14.5000	10.2000	750.1000
98.067.0000	98.0700	0.9810	14.2200	10.0000	735.6000
6.895.0000	6.8950	0.0690	1.0000	0.7030	51.7200
2.984.0000	2.9840	0.0300	0.4330	0.3050	22.4200
9.7890000	9.7890	0.0980	1.4200	1.0000	73.4200
133.3000	0.1330	0.0013	0.0190	0.0140	1.0000
3.386.0000	3.3860	0.0338	0.4910	0.3450	25.400090

Length 长度

毫米 (mm)	厘米 (cm)	米 (m)	英寸 (in)	英尺 (ft)	码 (yd)
1.0000	0.1000	0.0010	0.0394	0.0033	0.0011
10.0000	1.0000	0.0100	0.3937	0.0328	0.0109
1000.0000	100.0000	1.0000	39.3701	3.2808	1.0936
25.4000	2.5400	0.0254	1.0000	0.8033	0.0278
304.8000	30.4800	0.3048	12.0000	1.0000	0.3333
914.4000	91.4400	0.9144	36.0000	3.0000	1.0000

Volume 容积

立方米 (m ³)	升 (L)	毫升 (ml)	英制加仑 (imp.gal.)	美制加仑 (US gal)	立方英尺 (ft ³)
1.0000	1.000.0000	1*10	220.0000	264.2000	35.3147
0.0010	1.0000	1.000.0000	0.2200	0.2642	0.0353
1*10	0.0010	1.0000	22*10	2.642*10	3.53*10
0.0045	4.5460	4.546.0000	1.0000	1.2010	0.1605
0.0038	3.7850	3.785.0000	0.8327	1.0000	0.1337
0.0283	28.3170	28.317.0000	6.2288	7.4805	1.000

PVM

PVM 2

PVM 4

PVM 8

PVM 16

PVM 30

PVM 45

PVM 60

PVM 90

PVM 120

PVM 150

PVM 200

OTHERS

