

智能靜音變頻供水設備

VARIABLE FREQUENCY WATER SUPPLY EQUIPMENT



联系我们

WWW.U-FLO.CN

营销总部 Marketing Headquarters

ADD: 南京市栖霞区仙尧路2号移动互联网产业基地7号楼(210046)

Building No.7, Mobile Internet Industry Base, No.2 xiayao RD, Qixia District, Nanjing

TEL: (86)25-52231105 / 52230907 / 52230921 / 84846376 FAX: (86)25-52230912 / 84676563

中国工厂 Chinese Factory

ADD: 南京市溧水经济开发区南区罗马工业园18号 (211200)

18# Rome Industry Park, Southern District, Lishui Economic Development Zone, Nanjing

TEL: (86) 25-56610801 / 56610802 / 56610803 / 56610805 / 56610815 FAX: (86) 25-56610806

销售服务热线: 400-100-8486 售后服务热线: 400-108-8170

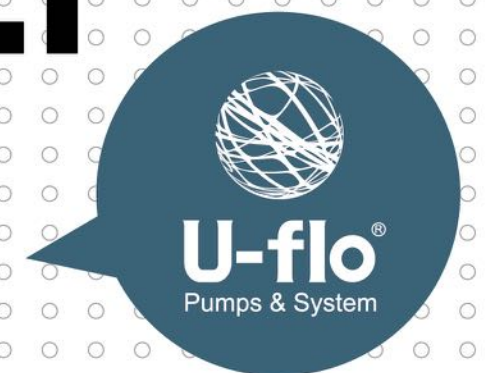
南京方卓品牌设计 | www.njfad.com

ZJBG

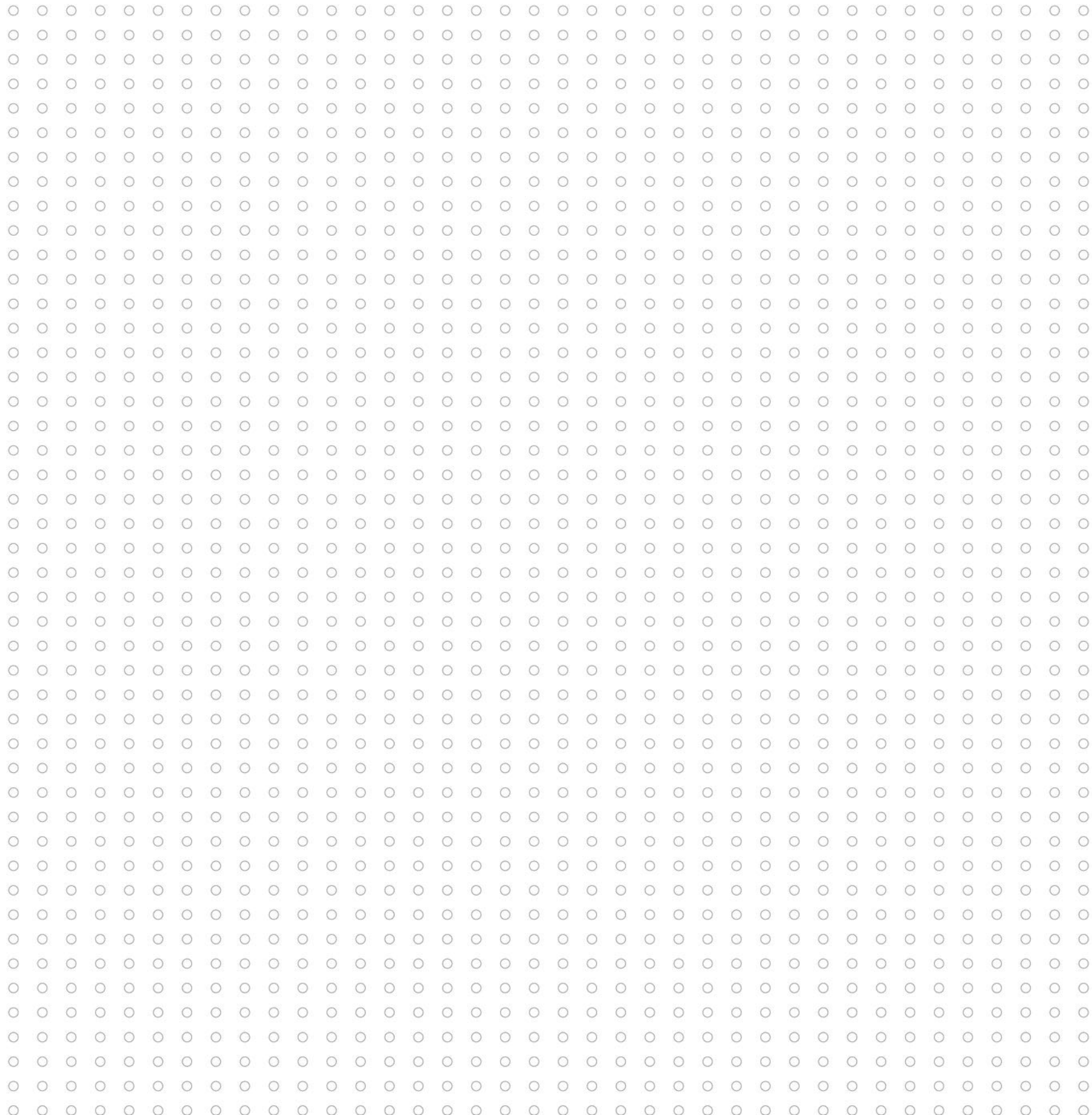
VARIABLE FREQUENCY

WATER SUPPLY

EQUIPMENT



Contents 目录



03/04 **COMPANY PROFILE** 公司介绍

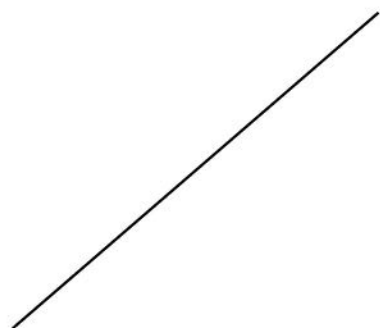
U.S. U-flo
美国尤孚

05/18 **PRODUCTS** 产品介绍

ZJBG SERIES VARIABLE FREQUENCY WATER SUPPLY EQUIPMENT
ZJBG系列智能静音变频供水设

19/20 **CUSTOMER SERVICE INFORMATION**

After-sales service Notes
售后服务须知





U-flo[®]
Pumps & System

Water Can Fly



U-FLO U.S. 美國尤孚

U-flo Pumps International LLC is a global water pump manufacturing and marketing company registered in Washington, USA. Our cooperated facilities are located in Italy, Japan, Taiwan and China. Our primary products include Deep-well Pumps, Above-ground Pumps, Sewage Pumps, Pumping Systems. They are widely used in power plants, paper mills, steel plants, agriculture irrigations, construction trades, industrial applications, mining operations, municipal utilities as well as oil/gas fields.

Integrity, Innovation, International

Since the first U-FLO water pump was manufactured, our people have been making unremitting endeavor to improve designs of the U-FLO water pump products. We apply the best industry practices and the best suitable materials for key components to the design and manufacturing of our pumps.

In addition to our state of art manufacturing facilities, we put a big effort on pump testing. Every product undergoes a rigorous testing and inspection process before being shipped to our customers. Our test facility incorporates a 12000 cubic meter (52,834 gallon) closed loop system with testing capacity of up to 600m³/h (2640GPM) with the maximum head of 200m (656ft), and 250 horsepower (dual voltages of 50Hz and 60Hz). Following a strict quality management system, all of our facilities are ISO 9001 and ISO 4001 certified.

Water is a vital part of our natural resources. While we always pursue the excellence of our products and services, we also take every step to promote environment-friendly and energy-saving solutions.

As a global pump manufacturer and supplier, U-FLO is committed to producing the finest water pumps in the world and continues to lead the way forward in the pumping industry.

U-FLO PUMPS INTERNATIONAL LLC是一家总部注册在美国华盛顿州的全球化水泵制造与销售公司。我们在意大利, 日本, 台湾和中国大陆地区均设有合作工厂。我们主要产品包括深井泵、地面泵、污水泵和供水设备。产品广泛应用于电厂、造纸厂、钢厂、农业灌溉、建筑、工业应用、矿山、市政以及油田领域。

诚信、创新、国际化

自第一台U-flo水泵出厂以来, 我们一直不懈努力, 致力于改进U-flo水泵的设计。我们以最高的行业要求和最佳材料设计和制造水泵。

在严抓工艺水平的同时, 我们还致力于水泵的测试。每一台水泵在出厂前均需要经过严格的测试和检验。我们的测试台含12000立方米(52,834加仑) 闭式循环系统, 最大测试流量达600m³/h(2640GPM), 最高扬程为200m(656ft), 250马力(双电压50Hz、60Hz)。按照严格的质量管理体系, 我们所有的工厂均通过ISO9001和ISO14001认证。

水是自然资源的重要组成部分, 我们在追求卓越的产品和服务的同时, 亦在努力推广环保和节能解决方案。

作为全球水泵制造商和供应商, U-flo致力于生产全球最好的水泵, 成为水泵行业的领跑者。



Quality witness responsibility Technology create reliability

品质见证责任 专业成就信赖!



Design & production 设计和制造

Design and production are all made internally at U-flo's facilities, with a quality and process systems in accordance to the ISO9001 standards; as a further results of its environmental orientation, U-flo, in the 2011, got the ambitious ISO14001 Certificate proving that its production processes comply with the very strict rules imposed by the ISO14001 Certificate.

U-flo 自主设计和制造，质量及生产系统符合 ISO9001 标准。更因为 U-flo 准确的环境定位，2011 年获得 ISO14001 认证，充分证明生产过程符合 ISO14001 标准。

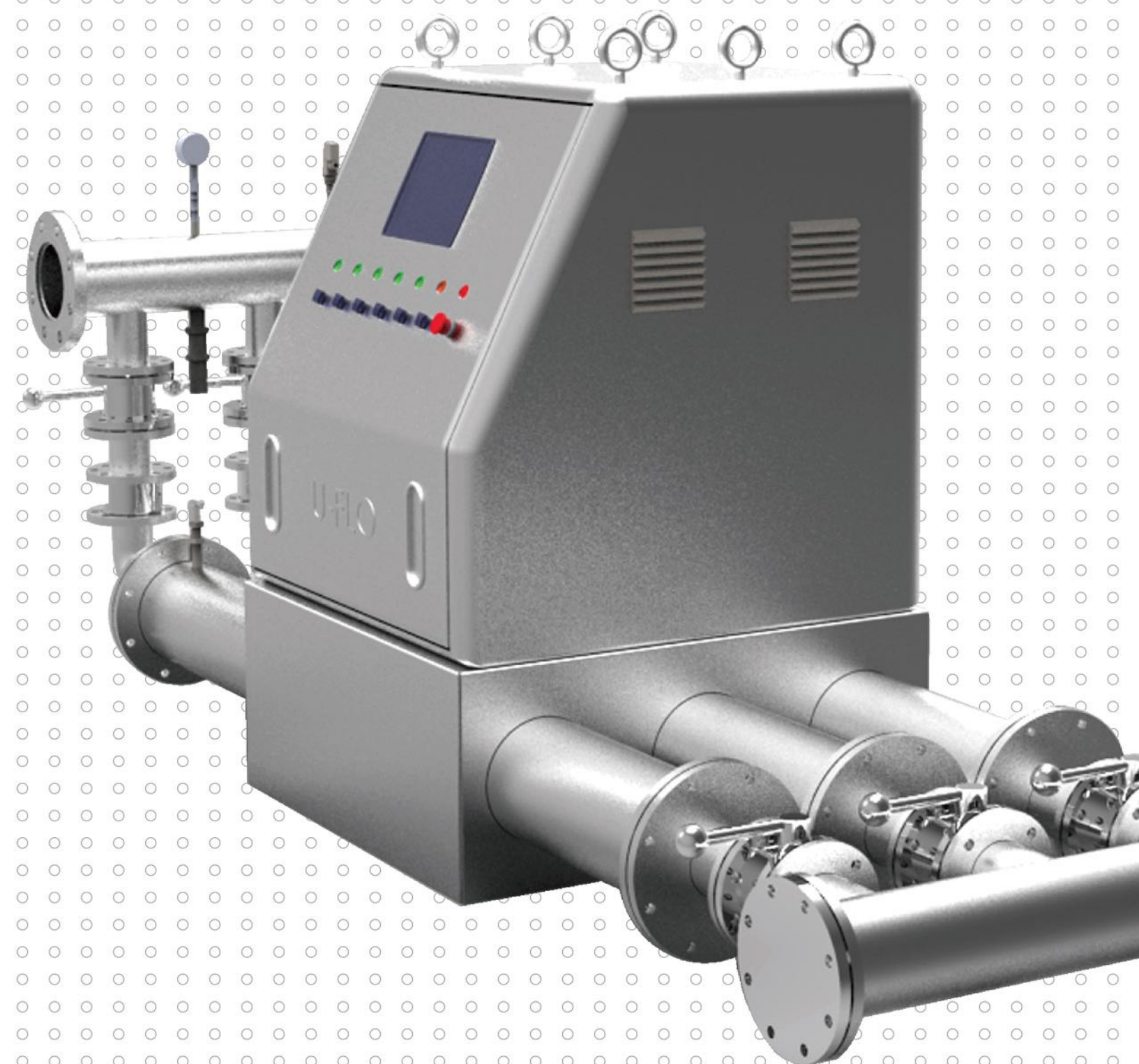
Applications 产品应用范围

Water supply and boost of high-rise building and residence community, automatic circulating system boost, the greening irrigation, medical treatment and public health, the shower system, villa boost, etc.

高层楼宇和小区供水增压，自动循环系统加压，绿化喷灌，医疗卫生，淋浴系统，别墅加压等场合。

U-FLO reserves the right to make modifications without notice.

U-FLO 有权对产品进行修改，恕不另行通知。



VARIABLE FREQUENCY WATER SUPPLY EQUIPMENT ZJBG SERIES

VARIABLE FREQUENCY WATER SUPPLY EQUIPMENT

ZJBG SERIES / 智能静音变频供水设备 ZJBG系列

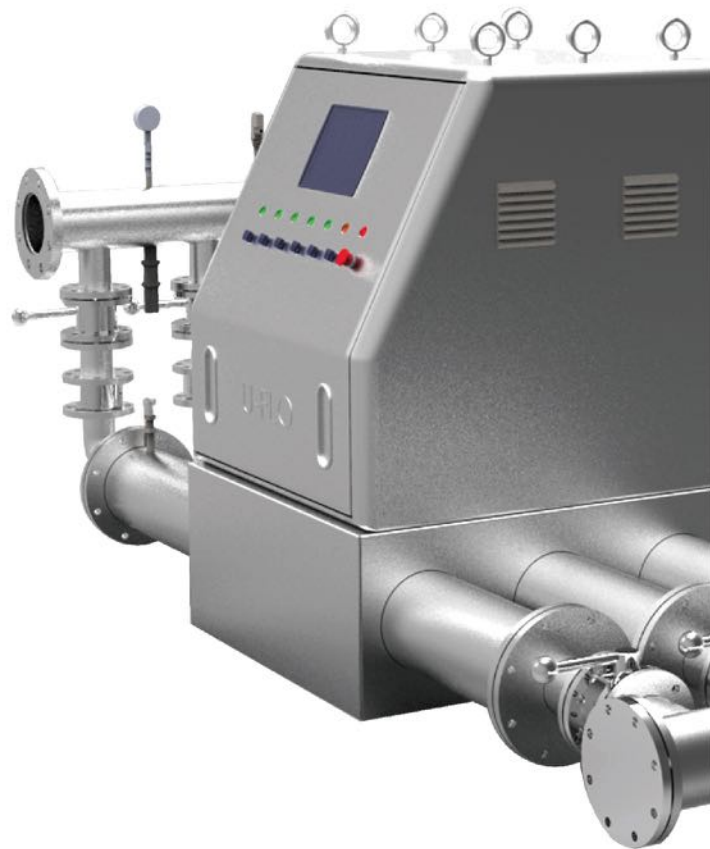
ZJBG

Service

VARIABLE FREQUENCY WATER SUPPLY EQUIPMENT



I、Introduction



The new launch variable Frequency Water Supply Equipment, is of obvious advantages and features compared with traditional vertical or horizontal centrifugal pumps. The pump and motor are completely sealed in the pipeline while parts of pump and motor are surrounded by sealed circulating water, meanwhile the motor is cooled by the flow of water (the traditional centrifugal pumps cool the motor by the motor fan), thus the motor is quite mute when operating and solved the motor noise problem fundamentally. Moreover, the pump is manufactured of the stainless steel up to hygienic standard and the motor adopts imported stainless steel encapsuled water-filled motor, thus fundamentally solved the oil leak and water sanitation problem caused by oil-filled motor.

U-FLO variable Frequency Water Supply Equipment is easy and flexible to install. Without the special pump room, the unit occupies little space and can work in a humid environment. It can be installed vertically, horizontally or slantly and connected to the existing pipeline by the pipe flange or connected to the bypass pipeline. The unit adopts U-FLO imported variable frequency control system to achieve pump control. Completely overcome the pressure breakthrough problem of the general variable frequency control system. After the confluence of hot and cold water, the water temperature will not change along with pressure change. The unit will be one of the best second pressurized water supply equipment.

公司新推出的智能静音变频供水设备是与传统立式、卧式离心水泵相比，具有明显优势和特点的产品。由于该泵的电机和水泵部分完全密封在管道中，水泵电机部分被密闭循环水环绕，依靠水的流速对电机进行散热冷却（传统离心泵是靠电机风扇给电机降温），电机运行时异常安静，从根本上解决了电机噪音问题，同时由于该水泵选用符合卫生级标准的全不锈钢制作，电机选用进口不锈钢屏蔽式充水电机，所以从根本上解决了充油式电机带来的漏油、水质不卫生等问题。

U-FLO 智能静音变频供水设备，安装非常灵活方便。无需建泵房，空间要求小，可在潮湿的环境中工作，该类型水泵可垂直水平或斜式安装，可通过管道法兰直接连接现有管路，并可以接旁通管路。该机组完全采用 U-FLO 进口变频控制系统对水泵进行控制，完全克服传统变频控制系统压力突破之缺点，不会因压力变化造成冷热水管合流后的水温忽高忽低，该机组将成为二次增压供水最理想的设备之一。

II、ADVANTAGES 优点

1. Constant pressure water supply & boost system: steady water supply system, no pressure change, no trouble in water supply suddenly, adjustable upper and lower pressure setting value, the system only needs a small volume pressure tank, small in size and compact in structure.
2. Super mute: Submerged in water and sealed in pipe, the pump is mute when operating. The noise can be reduced to around 35dB (General Equipment 80-100dB). Meanwhile, the special mute frequency converter and together with soft start and stop, effectively reduced the pressure change rate and eliminated noise caused by water hammer. Thus resolve the noise problem during the second water supply.
3. Save investment, easy to install and maintain: the equipment does not need storage battery, water tanks on the roof as well as water treatment equipments. Thus save the floor space and reduce investment cost. The equipment adopts stainless steel material in appearance as well as pumps and motors. Motor and pump placed in stainless steel pipes after connected. Without special pumping station, it can be placed inside or outside without any shelter or even placed in harsh conditions, such as the ditch and the pool or hung on the wall and the eaves. The appearance is neat and practical. When one pump set of the water supply equipment fails to operating, just close the valves at both ends of this pump set and dismount freely without affecting the operation of other pump sets. The bearings of pump set and motor adopt water-lubricate type. It only needs fresh water instead of any oil or grease. The motor adopts water-filled type which

is almost free to maintain.

4. Environmental protection, health and non-pollution: It is Italian imported water pumps featured with high efficiency, steady operation and reliable quality. The material of all parts is 304 or 316 stainless steel. All parts meet the environmental standards and possess inspection reports authorized by the health and quarantine department. U-flo adopts American Franklin water filled motor, which meets the U.S. FDA food standards and has no water pollution. Other flow-over components adopt food-grade materials such as stainless steel. The equipment structure forms a sealed system, thus eliminate the water pollution completely and meet the international water health standard.

5. Highly automatic, safe and energy saving: the equipment can achieve automatic control. It has many functions such as manual / auto switch, pressure adjustment, constant pressure, stop function when no water consumption, detection and compensation function when water leakage, water shortage and under-voltage protection. Meanwhile it is of high and low voltage protection, phase-lacking protection, earth leakage protection, overload protection and overheating protection. All pumps adopt the built-in check valve and step-less speed control which is featured with no pressure difference and also the water pipe will not burst caused by water hammer, which is formed by sudden shock. The pump unit adopts the mute frequency converter, soft start and stop. The starting current is quite low and the power consumption is determined by water consumption. Thus achieve high efficiency and energy saving.

- 1、恒压供水加压系统：给水系统稳定，无压力变化，供水无忽大忽小的困扰，压力设定上下值可调，系统只需小型隔膜压力罐，体积小，结构紧凑。
- 2、超静音：水泵完全浸没在水中运行，并密封在管中，运行完全静音，噪音可降低至 35dB 左右（一般设备 80-100dB）同时由于采用静音专用变频器，并配合软启动，软停止，有效降低压力变化率消除水锤噪音，从而解决了二次供水过程中机器扰民的问题。
- 3、节省投资、安装方便、易于维修：本设备无需蓄电池，楼顶水箱等贮水设施，也无需水质处理仪器，节省了占地面积，降低投资费用。该设备外观为全不锈钢制造，水泵、电机均选用不锈钢材料，电机和水泵连接后全置于不锈钢管内，无需专门泵房，或竖或卧，可任意放置室内外无需遮风避雨，甚至可置于条件恶劣的水沟水池内或挂在墙壁上和屋檐下皆可。外观整洁美观，实用大方。当供水设备中的任意一台泵组故障时，只需将此台泵组两端的阀门关闭后即可任意拆装，并不影响其他泵组运行。泵组和电机内的轴承采用水润滑轴承，不需要添加任何油脂只要普通的水即可，电机选用充水式电机，几乎无

需维修保养。

4、环保卫生，无污染：水泵为美国原装进口，高效平稳，质量可靠。材质全部为不锈钢 304 或 316。所有零件符合环保标准，并有卫生检疫部门权威检测报告。电机选用美国富兰克林充水式电机，产品符合美国 FDA 食品标准，对水质绝对无任何污染。其他过流部件均采用不锈钢等食品级材料制造。设备结构形成一个密封系统，因此完全杜绝水质污染，符合国际用水卫生标准。

5、高度自动化，安全节能：本设备能实现全自动控制，具有手动 / 自动切换，压力调整，恒压，不用水时停车功能，漏水侦测补偿功能，缺水失压保护功能，同时具备高低电压保护，缺相保护，漏电保护，过载保护，过热保护功能。机组所有水泵采用内置止回阀，采用无极变速控制，无压差，不会造成瞬间冲击造成水锤作用而导致水管爆裂。机组采用静音变频器，软启动，软停止，启动电流小，用多少水耗多少电，高效节能。

VARIABLE FREQUENCY WATER SUPPLY EQUIPMENT

ZJBG SERIES / 智能静音变频供水设备 ZJBG系列

(Standard)

III、CONFIGURATION 配置

1. Pump: Adopt U.S. U-FLO stainless steel SVP Safe-noise pump, U.S. U-flo Full stainless steel encapsulated water-filled motor.	1. 水泵: 选用美国 U-FLO 全不锈钢 SVP 静音泵, 美国 U-FLO 全不锈钢屏蔽式充水电机。
2. Frequency Converter: ABB (Standard), DANFOSS/FUJI(Optional)	2. 变频器: ABB(标配), 丹佛斯/富士(选配)
3. Pressure sensor: DANFOSS(Standard), COLLIHIGH(Optional) Electric contact pressure gauge	3. 压力传感器: 丹佛斯(标配), 昆仑海岸(选配) 电接点压力表
4. Touchscreen: VEINVIEW(Standard), SIEMENS(Optional)	4. 触摸屏: VEINVIEW(标配), SIEMENS(选配)
5. Programmable logic controller module: SIEMENS(Standard), MITSUBISHI(Optional)	5. 可编程控制器模块: SIEMENS(标配), 三菱(选配)
6. Components such as electrical equipment and switches: SCHNEIDER(Standard), SIEMENS(Optional)	6. 电气、开关等元器件: SCHNEIDER(标配), SIEMENS(选配)
7. Control cabinet: 304 stainless steel custom drawer type	7. 控制柜: 304 不锈钢定制抽屉式控制柜
8. Pressure tank: ITALY AQUAFILL	8. 压力罐: 意大利 AQUAFILL
9. Valve: U-FLO all stainless steel custom integrated valve	9. 阀门: U-FLO 全不锈钢定制一体式阀门。

Water supply equipment can be equipped with remote monitoring module, monitoring interface provided by our company are divided into two types of Ethernet, wireless network; Ethernet interface, the user needs to provide 1 broadband network; wireless network interface, users need to provide mobile SIM card, and ensure the equipment environment mobile signal coverage. Any one form, the user can be self monitoring, and we also can provide monitoring. Monitoring content includes: the pipe pressure, pump status, current frequency, remote start stop, remote reset, etc.

供水设备可选配远程监控组件, 我公司提供的监控接口分为以太网、无线网两种形式; 选择以太网接口, 用户需要提供 1 根开通宽带的网线; 选择无线网接口, 用户需提供移动 SIM 卡, 并保证设备环境有移动信号覆盖。任意一种形式, 用户均可自行监控, 且我公司也可以代为监控。监控内容包含: 管网压力、水泵状态、当前频率、远程启停、远程复位等。

IV、PRINCIPLE 原理

Connect U-FLO high quality deep-well submersible pump to U-flo all stainless steel deep-well submersible motor and place them to the pipe, together with connecting flange at both ends, vent valve, non-return valve, water shortage protection device and pressure gauges make up inner of pipe booster pump. The sealed system consists of one or several inner of pipe booster pumps, frequency converter, PLC + PID, pressure sensor, terminal and peripheral devices. The pressure sensor installed in the pipeline feedback the real network pressure to A/D controller module through the analog, The controller compare the actual value with the user set value. If the deviation is big, will use fuzzy control to increase /decrease the pump operating frequency at first; If less difference, will use the PID mode to adjust the pump operating frequency, so as to realize the purpose of constant pressure water supply.

将优质的 U-FLO 深井潜水泵连接 U-flo 全不锈钢潜水电机置于管中, 配置两端接口法兰, 排气阀, 单向阀, 缺水保护装置, 压力表即成为管中加压泵。该系统主要由单台或数台管中加压泵, 变频器, PLC+PID, 压力传感器, 终端及外围器件构成的封闭系统。安装在管道上的压力传感器将管网实际压力通过模拟方式反馈至 A/D 模块, 控制器将实际值与用户设定值进行比较, 如果偏差较大, 将首先采用模糊控制来增加 / 减小水泵运行频率; 如相差较小, 将采用 PID 方式调节水泵运行频率, 从而实现恒压供水的目的。

V、MODEL DESCRIPTION 型号说明

ZJBG-XX-XX/X

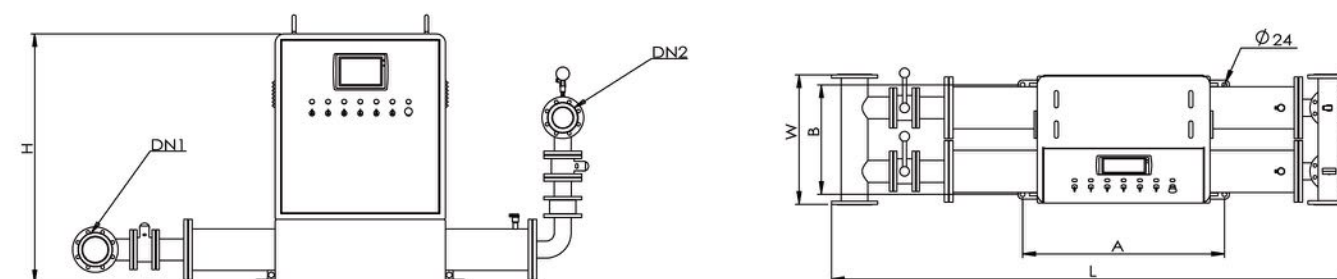
X	Pump quantity	水泵数量
XX	Head	扬程
XX	Single pump rated flow	单台泵额定流量
ZJBG	Variable Frequency Water Supply Equipment	智能静音变频供水设备

VARIABLE FREQUENCY WATER SUPPLY EQUIPMENT

ZJBG SERIES / 智能静音变频供水设备 ZJBG系列

INSTALLATION INSTRUCTION 安装示意图

ZJBG 一用一备



BASIC PARAMETERS 基本参数

ZJBG SERIES (一用一备)

序号	参考户数	设备型号	单泵型号	单泵功率	泵+电机长度 (mm)	总流量 (m³/h)						外形尺寸(mm) L*W*H	地脚螺栓中心距 A*B (mm)	地脚螺栓	进出口法兰尺寸	
							4.2	4.6	5	5.6	5.8				进口DN1	出口DN2
1	15	ZJBG-5-15/2	SVP-504	0.37KW	485	扬程 (m)	18	17	15	13	10	2300*750*1400	960*405	4-M24	65	50
2		ZJBG-5-27/2	SVP-506	0.55KW	557		30	29	27	28	20					
3		ZJBG-5-34/2	SVP-508	0.75KW	619		38	36	34	30	25					
4		ZJBG-5-52/2	SVP-512	1.1KW	748		58	54	52	48	40					
5		ZJBG-5-68/2	SVP-517	1.5KW	915		77	72	68	62	53					
6		ZJBG-5-85/2	SVP-521	1.8KW	1011		97	92	85	78	67					
7		ZJBG-5-96/2	SVP-525	2.2KW	1103		113	105	96	91	78					
8		ZJBG-5-135/2	SVP-533	3KW	1402		155	145	135	124	103					

序号	参考户数	设备型号	单泵型号	单泵功率	泵+电机长度 (mm)	总流量 (m³/h)					外形尺寸(mm) L*W*H	地脚螺栓中心距 A*B (mm)	地脚螺栓	进出口法兰尺寸	
							6	7	8	9				进口DN1	出口DN2
1	25	ZJBG-8-20/2	SVP-805	0.75KW	697	扬程 (m)	23	22	20	17	2300*750*1400	960*405	4-M24	65	50
2		ZJBG-8-28/2	SVP-807	1.1KW	826		32	30	28	25					
3		ZJBG-8-40/2	SVP-810	1.5KW	1014		46	44	40	35					
4		ZJBG-8-48/2	SVP-812	1.8KW	1110		56	53	48	42					
5		ZJBG-8-59/2	SVP-815	2.2KW	1244		68	65	59	52					
6		ZJBG-8-72/2	SVP-818	3KW	1501		82	78	72	63					

序号	参考户数	设备型号	单泵型号	功率	泵+电机长度 (mm)	总流量 (m³/h)						外形尺寸(mm) L*W*H	地脚螺栓中心距 A*B (mm)	地脚螺栓	进出口法兰尺寸	
							6	7	8	9	10				进口DN1	出口DN2
1	35	ZJBG-9-28/2	SVP9-5	2.2KW	896	扬程 (m)	50	44	40	28	20	2570*750*1400	960*405	4-M24	65	50
2		ZJBG-9-51/2	SVP9-9	3.7KW	1241		84	81	70	51	45					
3		ZJBG-9-77/2	SVP9-13	5.5KW	1455		121	115	99	77	60					
4		ZJBG-9-88/2	SVP9-14	5.5KW	1491		138	121	115	88	70					
5		ZJBG-9-110/2	SVP9-18	7.5KW	1596		170	155	144	110	83					

VARIABLE FREQUENCY WATER SUPPLY EQUIPMENT

ZJBG SERIES / 智能静音变频供水设备 ZJBG系列

BASIC PARAMETERS 基本参数

ZJBG SERIES (一用一备)

序号	参考户数	设备型号	单泵型号	单泵功率	泵+电机长度 (mm)	总流量 (m³/h)	10	11	12	14	15	外形尺寸(mm) L*W*H	地脚螺栓中心距 A*B (mm)	地脚螺栓	进出口法兰尺寸	
							扬程 (m)	进口DN1	出口DN2							
1	50	ZJBG-13-26/2	SVP13-3	2.2KW	824	扬程 (m)	30	28	26	21	18	2570*750*1400	960*405	4-M24	65	50
2		ZJBG-13-43/2	SVP13-5	3.7KW	1097		50	46	43	36	30					
3		ZJBG-13-54/2	SVP13-6	3.7KW	1133		65	58	54	45	40					
4		ZJBG-13-74/2	SVP13-8	5.5KW	1260		80	77	74	63	55					
5		ZJBG-13-99/2	SVP13-11	7.5KW	1344		110	102	99	82	75					
6		ZJBG-13-111/2	SVP13-12	7.5KW	1380		127	115	111	95	80					
1	80	ZJBG-17-30/2	SVP17-4	3KW	968	扬程 (m)	42	36	30	24		2570*750*1400	960*405	4-M24	65	50
2		ZJBG-17-40/2	SVP17-5	3KW	1016		53	47	40	30						
3		ZJBG-17-47/2	SVP17-6	3.7KW	1172		62	55	47	36						
4		ZJBG-17-51/2	SVP17-7	5.5KW	1251		69	60	51	40						
5		ZJBG-17-59/2	SVP17-8	5.5KW	1298		79	70	59	45						
6		ZJBG-17-65/2	SVP17-9	5.5KW	1346		86	75	65	50						
7		ZJBG-17-70/2	SVP17-10	5.5KW	1346		93	80	70	54						
8		ZJBG-17-74/2	SVP17-11	7.5KW	1417		100	87	74	58						
9		ZJBG-17-82/2	SVP17-13	7.5KW	1503		113	98	82	65						
10		ZJBG-17-95/2	SVP17-14	7.5KW	1550		131	113	95	75						
11		ZJBG-17-108/2	SVP17-15	11KW	1668		149	130	108	85						
1	150	ZJBG-25-20/2	SVP25-2	2.2KW	761	扬程 (m)	26	24	20	15		2570*750*1400	960*405	4-M24	100	80
2		ZJBG-25-28/2	SVP25-3	3KW	949		40	35	28	20						
3		ZJBG-25-37/2	SVP25-4	3.7KW	1070		53	46	37	25						
4		ZJBG-25-44/2	SVP25-5	5.5KW	1203		63	55	44	30						
5		ZJBG-25-50/2	SVP25-6	5.5KW	1260		74	64	50	35						
6		ZJBG-25-57/2	SVP25-7	7.5KW	1284		84	72	57	41						
7		ZJBG-25-70/2	SVP25-8	7.5KW	1341		97	85	70	50						
8		ZJBG-25-77/2	SVP25-9	9.2KW	1423		107	95	77	56						
9		ZJBG-25-88/2	SVP25-10	11KW	1525		120	106	88	66						
10		ZJBG-25-94/2	SVP25-11	11KW	1582		130	115	94	70						
11		ZJBG-25-104/2	SVP25-12	15KW	1694		145	127	104	75						
12		ZJBG-25-115/2	SVP25-13	15KW	1751		160	140	115	84						
1	240	ZJBG-30-18/2	SVP30-2	2.2KW	761	扬程 (m)	22	20	18	14		2570*750*1400	960*405	4-M24	100	80
2		ZJBG-30-26/2	SVP30-3	3.7KW	1013		35	31	26	20						
3		ZJBG-30-35/2	SVP30-4	5.5KW	1146		46	41	35	27						
4		ZJBG-30-44/2	SVP30-5	7.5KW	1170		58	51	44	35						
5		ZJBG-30-53/2	SVP30-6	7.5KW	1227		68	61	53	43						
6		ZJBG-30-63/2	SVP30-7	9.2KW	1309		83	73	63	51						
7		ZJBG-30-72/2	SVP30-8	9.2KW	1366		94	84	72	59						
8		ZJBG-30-82/2	SVP30-9	11KW	1468		106	94	82	69						
9		ZJBG-30-94/2	SVP30-10	11KW	1525		118	107	94	78						
10		ZJBG-30-103/2	SVP30-11	15KW	1637		132	118	103	84						
11		ZJBG-30-103/2	SVP30-12	15KW	1694		147	131	114	93						

VARIABLE FREQUENCY WATER SUPPLY EQUIPMENT

ZJBG SERIES / 智能静音变频供水设备 ZJBG系列

BASIC PARAMETERS 基本参数

ZJBG SERIES (一用一备)

序号	参考户数	设备型号	单泵型号	单泵功率	泵+电机长度 (mm)	总流量 (m³/h)	32	36	40	42	外形尺寸(mm) L*W*H	地脚螺栓中心距 A*B (mm)	地脚螺栓	进出口法兰尺寸		
							扬程 (m)	进口DN1	出口DN2							
1	330	ZJBG-40-11/2	SVP40-2	3KW	892	扬程 (m)	20	16	11	10	2570*750*1400	960*405	4-M24	125	80	
2		ZJBG-40-17/2	SVP40-3	3.7KW	1013		28	23	17	15						
3		ZJBG-40-25/2	SVP40-4	5.5KW	1146		40	33	25	21						
4		ZJBG-40-30/2	SVP40-5	7.5KW	1170		47	37	30	24						
5		ZJBG-40-36/2	SVP40-6	7.5KW	1227		56	47	36	30						
6		ZJBG-40-44/2	SVP40-7	9.2KW	1309		65	56	44	37						
7		ZJBG-40-53/2	SVP40-8	9.2KW	1366		78	65	53	45						
8		ZJBG-40-58/2	SVP40-9	11KW	1468		85	73	58	53						
9		ZJBG-40-63/2	SVP40-10	11KW	1525		93	78	63	57						
10		ZJBG-40-70/2	SVP40-11	15KW	1637		102	85	70	60						
11		ZJBG-40-76/2	SVP40-12	15KW	1694		110	93	76	66						
12		ZJBG-40-84/2	SVP40-13	15KW	1751		120	103	84	74						
1	480	ZJBG-50-24/2	SVP50-2	3.7KW	938	扬程 (m)	30	28	26	24	22	2570*750*1400	960*405	4-M24	150	100
2		ZJBG-50-31/2	SVP50-3	5.5KW	1071		41	40	35	31	30					
3		ZJBG-50-38/2	SVP50-4	7.5KW	1104		51	50	44	38	35					
4		ZJBG-50-47/2	SVP50-5	7.5KW	1161		63	60	55	47	43					
5		ZJBG-50-57/2	SVP50-6	11KW	1288		76	74	66	57	53					
6		ZJBG-50-64/2	SVP50-7	11KW	1345		90	85	75	64	59					
7		ZJBG-50-70/2	SVP50-8	15KW	1457		102	96	84	70	65					
8		ZJBG-50-80/2	SVP50-9	15KW	1514		119	112	97	80	73					
1	600	ZJBG-60-21/2	SVP60-2	5.5KW	1024	扬程 (m)	29	25	21	18	15	2570*750*1400	960*405	4-M24	200	125
2		ZJBG-60-30/2	SVP60-3	7.5KW	1060		38	34	30	25	20					
3		ZJBG-60-40/2	SVP60-4	7.5KW	1120		52	46	40	35	27					
4		ZJBG-60-48/2	SVP60-5	11KW	1250		64	56	48	42	34					
5		ZJBG-60-57/2	SVP60-6	11KW	1310		75	66	57	47	38					
6		ZJBG-60-66/2	SVP60-7	15KW	1425		86	77	66	55	45					
7		ZJBG-60-76/2	SVP60-8	18.5KW	1560		100	88	76	63	50					
1	720	ZJBG-70-10/2	SVP70-1	3.7KW	888	扬程 (m)	14	13	11	10	9	2570*750*1400	960*405	4-M24	200	125
2		ZJBG-70-16/2	SVP70-2	5.5KW	971		21	19	17	16	15					
3		ZJBG-70-20/2	SVP70-3	7.5KW	1060		28	25	22	20	18					
4		ZJBG-70-27/2	SVP70-4	11KW	1190		40	35	30	27	25					
5		ZJBG-70-33/2	SVP70-5	11KW	1250		47	42	36	33	30					
6		ZJBG-70-40/2	SVP70-6	15KW	1365		58	52	44	40	36					
7		ZJBG-70-47/2	SVP70-7	18.5KW	1500		69	60	53	47	44					
8		ZJBG-70-56/2	SVP70-8	18.5KW	1560		80	71	62	56	52					

ZJBG

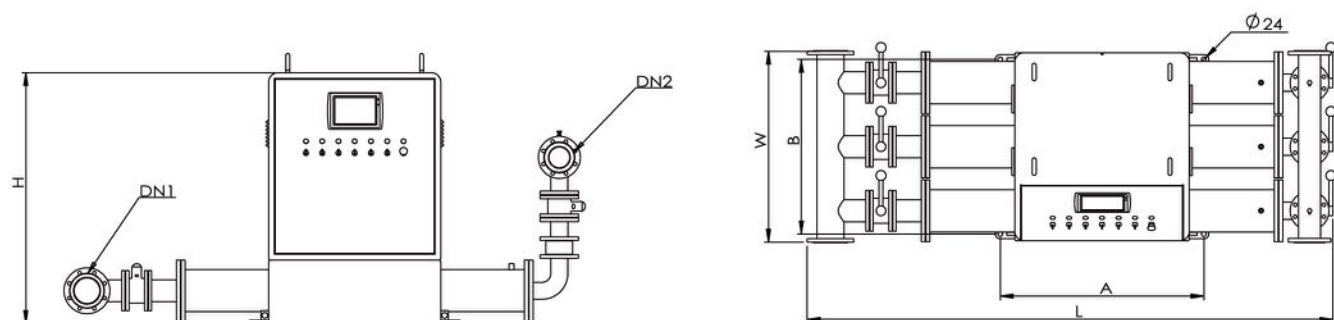
Service

VARIABLE FREQUENCY WATER SUPPLY EQUIPMENT

ZJBG SERIES / 智能静音变频供水设备 ZJBG系列

INSTALLATION INSTRUCTION 安装示意图

ZJBG 二用一备



BASIC PARAMETERS 基本参数

ZJBG SERIES(二用一备)

序号	参考户数	设备型号	单泵型号	单泵功率	泵+电机长度 (mm)	总流量 (m³/h)	外形尺寸(mm)					地脚螺栓中心距 A*B (mm)	地脚螺栓	进出口法兰尺寸		
							L*W*H							进口DN1	出口DN2	
1	35	ZJBG-5-15/3	SVP-504	0.37KW	485	扬程 (m)	8.4	9.2	10	10.8	11.6	2500*1055*1470	960*710	4-M24	65	50
2		ZJBG-5-27/3	SVP-506	0.55KW	557		18	17	15	13	10					
3		ZJBG-5-34/3	SVP-508	0.75KW	619		30	29	27	28	20					
4		ZJBG-5-52/3	SVP-512	1.1KW	748		38	36	34	30	25					
5		ZJBG-5-68/3	SVP-517	1.5KW	915		58	54	52	48	40					
6		ZJBG-5-85/3	SVP-521	1.8KW	1011		77	72	68	62	53					
7		ZJBG-5-96/3	SVP-525	2.2KW	1103		97	92	85	78	67					
8		ZJBG-5-135/3	SVP-533	3KW	1402		113	105	96	91	78					
1	80	ZJBG-8-20/3	SVP-805	0.75KW	697	扬程 (m)	12	14	16	18	2500*1055*1470	960*710	4-M24	65	50	
2		ZJBG-8-28/3	SVP-807	1.1KW	826		23	22	20	17						
3		ZJBG-8-40/3	SVP-810	1.5KW	1014		32	30	28	25						
4		ZJBG-8-48/3	SVP-812	1.8KW	1110		46	44	40	35						
5		ZJBG-8-59/3	SVP-815	2.2KW	1244		56	53	48	42						
6		ZJBG-8-72/3	SVP-818	3KW	1501		68	65	59	52						
1	90	ZJBG-9-28/3	SVP9-5	2.2KW	896	扬程 (m)	12	14	16	18	20	2580*1055*1470	960*710	4-M24	65	50
2		ZJBG-9-51/3	SVP9-9	3.7KW	1241		50	44	40	28	20					
3		ZJBG-9-77/3	SVP9-13	5.5KW	1455		84	81	70	51	45					
4		ZJBG-9-88/3	SVP9-14	5.5KW	1491		121	115	99	77	60					
5		ZJBG-9-110/3	SVP9-18	7.5KW	1596		138	121	115	88	70					

VARIABLE FREQUENCY WATER SUPPLY EQUIPMENT

ZJBG SERIES / 智能静音变频供水设备 ZJBG系列

BASIC PARAMETERS 基本参数

ZJBG SERIES(二用一备)

序号	参考户数	设备型号	单泵型号	单泵功率	泵+电机长度 (mm)	总流量 (m³/h)	外形尺寸(mm)					地脚螺栓中心距 A*B (mm)	地脚螺栓	进出口法兰尺寸		
							L*W*H							进口DN1	出口DN2	
1	170	ZJBG-13-26/3	SVP13-3	2.2KW	824	扬程 (m)	22	24	26	28	30	2580*1055*1470	960*710	4-M24	100	80
2		ZJBG-13-43/3	SVP13-5	3.7KW	1097		30	28	26	21	18					
3		ZJBG-13-54/3	SVP13-6	3.7KW	1133		50	46	43	36	30					
4		ZJBG-13-74/3	SVP13-8	5.5KW	1260		65	58	54	45	40					
5		ZJBG-13-99/3	SVP13-11	7.5KW	1344		80	77	74	63	55					
6		ZJBG-13-111/3	SVP13-12	7.5KW	1380		110	102	99	82	75					
1	240	ZJBG-17-30/3	SVP17-4	3KW	968	扬程 (m)	26	30	34	38	2580*1055*1470	960*710	4-M24	125	80	
2		ZJBG-17-40/3	SVP17-5	3KW	1016		42	36	30	24						
3		ZJBG-17-47/3	SVP17-6	3.7KW	1172		53	47	40	30						
4		ZJBG-17-51/3	SVP17-7	5.5KW	1251		62	55	47	36						
5		ZJBG-17-59/3	SVP17-8	5.5KW	1298		69	60	51	40						
6		ZJBG-17-65/3	SVP17-9	5.5KW	1346		79	70	59	45						
7		ZJBG-17-70/3	SVP17-10	5.5KW	1346		86	75	65	50						
8		ZJBG-17-74/3	SVP17-11	7.5KW	1417		93	80	70	54						
9		ZJBG-17-82/3	SVP17-13	7.5KW	1503		100	87	74	58						
10		ZJBG-17-95/3	SVP17-14	7.5KW	1550		113	98	82	65						
11		ZJBG-17-108/3	SVP17-15	11KW	1668		131	113	95	75						
1	480	ZJBG-25-20/3	SVP25-2	2.2KW	761	扬程 (m)	30	40	50	60	2580*1055*1470	960*710	4-M24	150	100	
2		ZJBG-25-28/3	SVP25-3	3KW	949		26	24	20	15						
3		ZJBG-25-37/3	SVP25-4	3.7KW	1070		40	35	28	20						
4		ZJBG-25-44/3	SVP25-5	5.5KW	1203		53	46	37	25						
5		ZJBG-25-50/3	SVP25-6	5.5KW	1260		63	55	44	30						
6		ZJBG-25-57/3	SVP25-7	7.5KW	1284		74	64	50	35						
7		ZJBG-25-70/3	SVP25-8	7.5KW	1341		84	72	57	41						
8		ZJBG-25-77/3	SVP25-9	9.2KW	1423		97	85	70	50						
9		ZJBG-25-88/3	SVP25-10	11KW	1525		107	95	77	56						
10		ZJBG-25-94/3	SVP25-11	11KW	1582		120	106	88	66						
11		ZJBG-25-104/3	SVP25-12	15KW	1694		130	115	94	70						
12		ZJBG-25-115/3	SVP25-13	15KW	1751		145	127	104	75						
1	600	ZJBG-30-18/3	SVP30-2	2.2KW	761	扬程 (m)	44	52	60	68	2580*1055*1470	960*710	4-M24	200	125	
2		ZJBG-30-26/3	SVP30-3	3.7KW	1013		22	20	18	14						
3		ZJBG-30-35/3	SVP30-4	5.5KW	1146		35	31	26	20						
4		ZJBG-30-44/3	SVP30-5	7.5KW	1170		46	41	35	27						
5		ZJBG-30-53/3	SVP30-6	7.5KW	1227		58	51	44	35						
6		ZJBG-30-63/3	SVP30-7	9.2KW	1309		68	61	53	43						
7		ZJBG-30-72/3	SVP30-8	9.2KW	1366		83	73	63	51						
8		ZJBG-30-82/3	SVP30-9	11KW	1468		94	84	72	59						
9		ZJBG-30-94/3	SVP30-10	11KW	1525		106	94	82	69						
10		ZJBG-30-103/3	SVP30-11	15KW	1637		118	107	94	78						
11		ZJBG-30-103/3	SVP30-12	15KW	1694		132	118	103	84						

VARIABLE FREQUENCY WATER SUPPLY EQUIPMENT

ZJBG SERIES / 智能静音变频供水设备 ZJBG系列

BASIC PARAMETERS 基本参数

ZJBG SERIES(二用一备)

序号	参考户数	设备型号	单泵型号	单泵功率	泵+电机长度 (mm)	总流量 (m³/h)	扬程 (m)				外形尺寸(mm) L*W*H	地脚螺栓中心距 A*B (mm)	地脚螺栓	进出口法兰尺寸	
							64	72	80	84				进口DN1	出口DN2
1	900	ZJBG-40-11/3	SVP40-2	3KW	892	扬程 (m)	20	16	11	10	2580*1055*1470	960*710	4-M24	200	125
2		ZJBG-40-17/3	SVP40-3	3.7KW	1013		28	23	17	15					
3		ZJBG-40-25/3	SVP40-4	5.5KW	1146		40	33	25	21					
4		ZJBG-40-30/3	SVP40-5	7.5KW	1170		47	37	30	24					
5		ZJBG-40-36/3	SVP40-6	7.5KW	1227		56	47	36	30					
6		ZJBG-40-44/3	SVP40-7	9.2KW	1309		65	56	44	37					
7		ZJBG-40-53/3	SVP40-8	9.2KW	1366		78	65	53	45					
8		ZJBG-40-58/3	SVP40-9	11KW	1468		85	73	58	53					
9		ZJBG-40-63/3	SVP40-10	11KW	1525		93	78	63	57					
10		ZJBG-40-70/3	SVP40-11	15KW	1637		102	85	70	60					
11		ZJBG-40-76/3	SVP40-12	15KW	1694		110	93	76	66					
12		ZJBG-40-84/3	SVP40-13	15KW	1751		120	103	84	74					

序号	参考户数	设备型号	单泵型号	单泵功率	泵+电机长度 (mm)	总流量 (m³/h)	扬程 (m)					外形尺寸(mm) L*W*H	地脚螺栓中心距 A*B (mm)	地脚螺栓	进出口法兰尺寸	
							80	84	92	100	104				进口DN1	出口DN2
1	1300	ZJBG-50-24/3	SVP50-2	3.7KW	938	扬程 (m)	30	28	26	24	22	2580*1055*1470	960*710	4-M24	200	150
2		ZJBG-50-31/3	SVP50-3	5.5KW	1071		41	40	35	31	30					
3		ZJBG-50-38/3	SVP50-4	7.5KW	1104		51	50	44	38	35					
4		ZJBG-50-47/3	SVP50-5	7.5KW	1161		63	60	55	47	43					
5		ZJBG-50-57/3	SVP50-6	11KW	1288		76	74	66	57	53					
6		ZJBG-50-64/3	SVP50-7	11KW	1345		90	85	75	64	59					
7		ZJBG-50-70/3	SVP50-8	15KW	1457		102	96	84	70	65					
8		ZJBG-50-80/3	SVP50-9	15KW	1514		119	112	97	80	73					

序号	参考户数	设备型号	单泵型号	单泵功率	泵+电机长度 (mm)	总流量 (m³/h)	扬程 (m)					外形尺寸(mm) L*W*H	地脚螺栓中心距 A*B (mm)	地脚螺栓	进出口法兰尺寸	
							100	110	120	130	140				进口DN1	出口DN2
1	1500	ZJBG-60-21/3	SVP60-2	5.5KW	1024	扬程 (m)	29	25	21	18	15	2580*1055*1470	960*710	4-M24	200	150
2		ZJBG-60-30/3	SVP60-3	7.5KW	1060		38	34	30	25	20					
3		ZJBG-60-40/3	SVP60-4	7.5KW	1120		52	46	40	35	27					
4		ZJBG-60-48/3	SVP60-5	11KW	1250		64	56	48	42	34					
5		ZJBG-60-57/3	SVP60-6	11KW	1310		75	66	57	47	38					
6		ZJBG-60-66/3	SVP60-7	15KW	1425		86	77	66	55	45					
7		ZJBG-60-76/3	SVP60-8	18.5KW	1560		100	88	76	63	50					

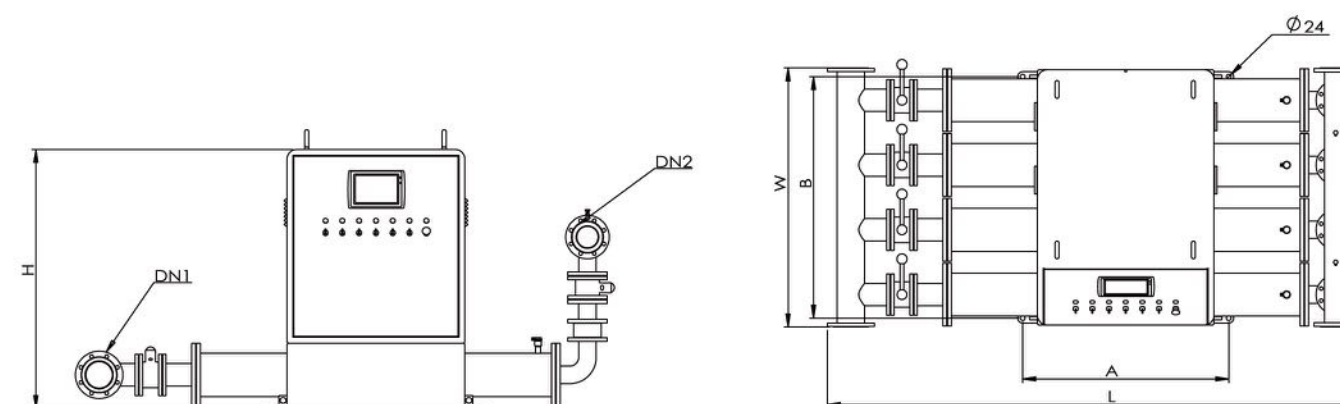
序号	参考户数	设备型号	单泵型号	单泵功率	泵+电机长度 (mm)	总流量 (m³/h)	扬程 (m)					外形尺寸(mm) L*W*H	地脚螺栓中心距 A*B (mm)	地脚螺栓	进出口法兰尺寸	
							120	128	136	140	144				进口DN1	出口DN2
1	1800	ZJBG-70-10/3	SVP70-1	3.7KW	888	扬程 (m)	14	13	11	10	9	2580*1055*1470	960*710	4-M24	200	150
2		ZJBG-70-16/3	SVP70-2	5.5KW	971		21	19	17	16	15					
3		ZJBG-70-20/3	SVP70-3	7.5KW	1060		28	25	22	20	18					
4		ZJBG-70-27/3	SVP70-4	11KW	1190		40	35	30	27	25					
5		ZJBG-70-33/3	SVP70-5	11KW	1250		47	42	36	33	30					
6		ZJBG-70-40/3	SVP70-6	15KW	1365		58	52	44	40	36					
7		ZJBG-70-47/3	SVP70-7	18.5KW	1500		69	60	53	47	44					
8		ZJBG-70-56/3	SVP70-8	18.5KW	1560		80	71	62	56	52					

VARIABLE FREQUENCY WATER SUPPLY EQUIPMENT

ZJBG SERIES / 智能静音变频供水设备 ZJBG系列

INSTALLATION INSTRUCTION 安装示意图

ZJBG 三用一备



BASIC PARAMETERS 基本参数

ZJBG SERIES(三用一备)

序号	参考户数	设备型号	单泵型号	单泵功率	泵+电机长度 (mm)	总流量 (m³/h)	扬程 (m)					外形尺寸(mm) L*W*H	地脚螺栓中心距 A*B (mm)	地脚螺栓	进出口法兰尺寸	
							12.4	13.8	15	16.2	17.4				进口DN1	出口DN2
1	60	ZJBG-5-15/4	SVP-504	0.37KW	485	扬程 (m)	18	17	15	13	10	2500*1390*1460	960*1040	4-M24	65	50
2		ZJBG-5-27/4	SVP-506	0.55KW	557		30	29	27	28	20					
3		ZJBG-5-34/4	SVP-508	0.75KW	619		38	36	34	30	25					
4		ZJBG-5-52/4	SVP-512	1.1KW	748		58	54	52	48	40					
5		ZJBG-5-68/4	SVP-517	1.5KW	915		77	72	68	62	53					
6		ZJBG-5-85/4	SVP-521	1.8KW	1011		97	92	85	78	67					
7		ZJBG-5-96/4	SVP-525	2.2KW	1103		113	105	96	91	78					
8		ZJBG-5-135/4	SVP-533	3KW	1402		155	145	135	124	103					

序号	参考户数	设备型号	单泵型号	单泵功率	泵+电机长度 (mm)	总流量 (m³/h)	扬程 (m)				外形尺寸(mm) L*W*H	地脚螺栓中心距 A*B (mm)	地脚螺栓	进出口法兰尺寸	
							18	21	24	27				进口DN1	出口DN2
1	150	ZJBG-8-20/4	SVP-805	0.75KW	697	扬程 (m)	23	22	20	17	2500*1390*1460	960*1040	4-M24	100	65
2		ZJBG-8-28/4	SVP-807	1.1KW	826		32	30	28	25					
3		ZJBG-8-40/4	SVP-810	1.5KW	1014		46	44	40	35					
4		ZJBG-8-48/4	SVP-812	1.8KW	1110		56	53	48	42					
5		ZJBG-8-59/4	SVP-815	2.2KW	1244		68	65	59	52					
6		ZJBG-8-72/4	SVP-818	3KW	1501		82	78	72	63					

序号	参考户数	设备型号	单泵型号	单泵功率	泵+电机长度 (mm)	总流量 (m³/h)	扬程 (m)					外形尺寸(mm) L*W*H	地脚螺栓中心距 A*B (mm)	地脚螺栓	进出口法兰尺寸	
							18	21	24	27	30				进口DN1	出口DN2
1	170	ZJBG-9-28/4	SVP9-5	2.2KW	896	扬程 (m)	50	44	40	28	20	2630*1390*1460	960*1040	4-M24	100	80
2		ZJBG-9-51/4	SVP9-9	3.7KW	1241		84	81	70	51	45					
3		ZJBG-9-77/4	SVP9-13	5.5KW	1455		121	115	99	77	60					
4		ZJBG-9-88/4	SVP9-14	5.5KW	1491		138	121	115	88	70					
5		ZJBG-9-110/4	SVP9-18	7.5KW	1596		170	155	144	110	83					

VARIABLE FREQUENCY WATER SUPPLY EQUIPMENT

ZJBG SERIES / 智能静音变频供水设备 ZJBG系列

BASIC PARAMETERS 基本参数

ZJBG SERIES(三用一备)

序号	参考户数	设备型号	单泵型号	单泵功率	泵+电机长度 (mm)	总流量 (m³/h)	扬程 (m)					外形尺寸(mm) L*W*H	地脚螺栓中心距 A*B (mm)	地脚螺栓	进出口法兰尺寸	
							33	36	39	42	45				进口DN1	出口DN2
1	280	ZJBG-13-26/4	SVP13-3	2.2KW	824	扬程 (m)	30	28	26	21	18	2630*1390*1460	960*1040	4-M24	125	80
2		ZJBG-13-43/4	SVP13-5	3.7KW	1097		50	46	43	36	30					
3		ZJBG-13-54/4	SVP13-6	3.7KW	1133		65	58	54	45	40					
4		ZJBG-13-74/4	SVP13-8	5.5KW	1260		80	77	74	63	55					
5		ZJBG-13-99/4	SVP13-11	7.5KW	1344		110	102	99	82	75					
6		ZJBG-13-111/4	SVP13-12	7.5KW	1380		127	115	111	95	80					

序号	参考户数	设备型号	单泵型号	单泵功率	泵+电机长度 (mm)	总流量 (m³/h)	扬程 (m)				外形尺寸(mm) L*W*H	地脚螺栓中心距 A*B (mm)	地脚螺栓	进出口法兰尺寸	
							39	45	51	57				进口DN1	出口DN2
1	480	ZJBG-17-30/4	SVP17-4	3KW	968	扬程 (m)	42	36	30	24	2630*1390*1460	960*1040	4-M24	150	100
2		ZJBG-17-40/4	SVP17-5	3KW	1016		53	47	40	30					
3		ZJBG-17-47/4	SVP17-6	3.7KW	1172		62	55	47	36					
4		ZJBG-17-51/4	SVP17-7	5.5KW	1251		69	60	51	40					
5		ZJBG-17-59/4	SVP17-8	5.5KW	1298		79	70	59	45					
6		ZJBG-17-65/4	SVP17-9	5.5KW	1346		86	75	65	50					
7		ZJBG-17-70/4	SVP17-10	5.5KW	1346		93	80	70	54					
8		ZJBG-17-74/4	SVP17-11	7.5KW	1417		100	87	74	58					
9		ZJBG-17-82/4	SVP17-13	7.5KW	1503		113	98	82	65					
10		ZJBG-17-95/4	SVP17-14	7.5KW	1550		131	113	95	75					
11		ZJBG-17-108/4	SVP17-15	11KW	1668		149	130	108	85					

序号	参考户数	设备型号	单泵型号	单泵功率	泵+电机长度 (mm)	总流量 (m³/h)	扬程 (m)				外形尺寸(mm) L*W*H	地脚螺栓中心距 A*B (mm)	地脚螺栓	进出口法兰尺寸	
							45	60	75	90				进口DN1	出口DN2
1	720	ZJBG-25-20/4	SVP25-2	2.2KW	761	扬程 (m)	26	24	20	15	2630*1390*1460	960*1040	4-M24	200	125
2		ZJBG-25-28/4	SVP25-3	3KW	949		40	35	28	20					
3		ZJBG-25-37/4	SVP25-4	3.7KW	1070		53	46	37	25					
4		ZJBG-25-44/4	SVP25-5	5.5KW	1203		63	55	44	30					
5		ZJBG-25-50/4	SVP25-6	5.5KW	1260		74	64	50	35					
6		ZJBG-25-57/4	SVP25-7	7.5KW	1284		84	72	57	41					
7		ZJBG-25-70/4	SVP25-8	7.5KW	1341		97	85	70	50					
8		ZJBG-25-77/4	SVP25-9	9.2KW	1423		107	95	77	56					
9		ZJBG-25-88/4	SVP25-10	11KW	1525		120	106	88	66					
10		ZJBG-25-94/4	SVP25-11	11KW	1582		130	115	94	70					
11		ZJBG-25-104/4	SVP25-12	15KW	1694		145	127	104	75					
12		ZJBG-25-115/4	SVP25-13	15KW	1751		160	140	115	84					

序号	参考户数	设备型号	单泵型号	单泵功率	泵+电机长度 (mm)	总流量 (m³/h)	扬程 (m)				外形尺寸(mm) L*W*H	地脚螺栓中心距 A*B (mm)	地脚螺栓	进出口法兰尺寸	
							66	78	90	102				进口DN1	出口DN2
1	1100	ZJBG-30-18/4	SVP30-2	2.2KW	761	扬程 (m)	22	20	18	14	2630*1390*1460	960*1040	4-M24	200	125
2		ZJBG-30-26/4	SVP30-3	3.7KW	1013		35	31	26	20					
3		ZJBG-30-35/4	SVP30-4	5.5KW	1146		46	41	35	27					
4		ZJBG-30-44/4	SVP30-5	7.5KW	1170		58	51	44	35					
5		ZJBG-30-53/4	SVP30-6	7.5KW	1227		68	61	53	43					
6		ZJBG-30-63/4	SVP30-7	9.2KW	1309		83	73	63	51					
7		ZJBG-30-72/4	SVP30-8	9.2KW	1366		94	84	72	59					
8		ZJBG-30-82/4	SVP30-9	11KW	1468		106	94	82	69					
9		ZJBG-30-94/4	SVP30-10	11KW	1525		118	107	94	78					
10		ZJBG-30-103/4	SVP30-11	15KW	1637		132	118	103	84					
11		ZJBG-30-103/4	SVP30-12	15KW	1694		147	131	114	93					

VARIABLE FREQUENCY WATER SUPPLY EQUIPMENT

ZJBG SERIES / 智能静音变频供水设备 ZJBG系列

BASIC PARAMETERS 基本参数

ZJBG SERIES(三用一备)

序号	参考户数	设备型号	单泵型号	单泵功率	泵+电机长度 (mm)	总流量 (m³/h)	扬程 (m)				外形尺寸(mm) L*W*H	地脚螺栓中心距 A*B (mm)	地脚螺栓	进出口法兰尺寸	
							96	108	120	126				进口DN1	出口DN2
1	1500	ZJBG-40-11/4	SVP40-2	3KW	892	扬程 (m)	20	16	11	10	2630*1390*1460	960*1040	4-M24	200	150
2		ZJBG-40-17/4	SVP40-3	3.7KW	1013		28	23	17	15					
3		ZJBG-40-25/4	SVP40-4	5.5KW	1146		40	33	25	21					
4		ZJBG-40-30/4	SVP40-5	7.5KW	1170		47	37	30	24					
5		ZJBG-40-36/4	SVP40-6	7.5KW	1227		56	47	36	30					
6		ZJBG-40-44/4	SVP40-7	9.2KW	1309		65	56	44	37					
7		ZJBG-40-53/4	SVP40-8	9.2KW	1366		78	65	53	45					
8		ZJBG-40-58/4	SVP40-9	11KW	1468		85	73	58	53					
9		ZJBG-40-63/4	SVP40-10	11KW	1525		93	78	63	57					
10		ZJBG-40-70/4	SVP40-11	15KW	1637		102	85	70	60					
11		ZJBG-40-76/4	SVP40-12	15KW	1694		110	93	76	66					
12		ZJBG-40-84/4	SVP40-13	15KW	1751		120	103	84	74					

序号	参考户数	设备型号	单泵型号	单泵功率	泵+电机长度 (mm)	总流量 (m³/h)	扬程 (m)					外形尺寸(mm) L*W*H	地脚螺栓中心距 A*B (mm)	地脚螺栓	进出口法兰尺寸	
							120	126	138	150	156				进口DN1	出口DN2
1	2000	ZJBG-50-24/4	SVP50-2	3.7KW	938	扬程 (m)	30	28	26	24	22	2630*1390*1460	960*1040	4-M24	200	150
2		ZJBG-50-31/4	SVP50-3	5.5KW	1071		41	40	35	31	30					
3		ZJBG-50-38/4	SVP50-4	7.5KW	1104		51	50	44	38	35					
4		ZJBG-50-47/4	SVP50-5	7.5KW	1161		63	60	55	47	43					
5		ZJBG-50-57/4	SVP50-6	11KW	1288		76	74	66	57	53					
6		ZJBG-50-64/4	SVP50-7	11KW	1345		90	85	75	64	59					
7		ZJBG-50-70/4	SVP50-8	15KW	1457		102	96	84	70	65					
8		ZJBG-50-80/4	SVP50-9	15KW	1514		119	112	97	80	73					

序号	参考户数	设备型号	单泵型号	单泵功率	泵+电机长度 (mm)	总流量 (m³/h)	扬程 (m)					外形尺寸(mm) L*W*H	地脚螺栓中心距 A*B (mm)	地脚螺栓	进出口法兰尺寸	
							150	165	180	195	210				进口DN1	出口DN2
1	2200	ZJBG-60-21/4	SVP60-2	5.5KW	1024	扬程 (m)	29	25	21	18	15	2630*1390*1460	960*1040	4-M24	200	150
2		ZJBG-60-30/4	SVP60-3	7.5KW	1060		38	34	30	25	20					
3		ZJBG-60-40/4	SVP60-4	7.5KW	1120		52	46	40	35	27					
4		ZJBG-60-48/4	SVP60-5	11KW	1250		64	56	48	42	34					
5		ZJBG-60-57/4	SVP60-6	11KW	1310		75	66	57	47	38					
6		ZJBG-60-66/4	SVP60-7	15KW	1425		86	77	66	55	45					
7		ZJBG-60-76/4	SVP60-8	18.5KW	1560		100	88	76	63	50					

序号	参考户数	设备型号	单泵型号	单泵功率	泵+电机长度 (mm)	总流量 (m³/h)	扬程 (m)					外形尺寸(mm) L*W*H	地脚螺栓中心距 A*B (mm)	地脚螺栓	进出口法兰尺寸	
							180	192	204	210	216				进口DN1	出口DN2
1	2500	ZJBG-70-10/4	SVP70-1	3.7KW	888	扬程 (m)	14	13	11	10	9	2630*1390*1460	960*1040	4-M24	200	150
2		ZJBG-70-16/4	SVP70-2	5.5KW	971		21	19	17	16	15					
3		ZJBG-70-20/4	SVP70-3	7.5KW	1060		28	25	22	20	18					
4		ZJBG-70-27/4	SVP70-4	11KW	1190		40	35	30	27	25					
5		ZJBG-70-33/4	SVP70-5	11KW	1250		47	42	36	33	30					
6		ZJBG-70-40/4	SVP70-6	15KW	1365		58	52	44	40	36					
7		ZJBG-70-47/4	SVP70-7	18.5KW	1500		69	60	53	47	44					
8		ZJBG-70-56/4	SVP70-8	18.5KW	1560		80	71	62	56	52					

VARIABLE FREQUENCY WATER SUPPLY EQUIPMENT

ZJBG SERIES / 智能静音变频供水设备
ZJBG系列

Ordering Notice 订货须知:

- Based on the manual we provided, customers can select model as required. The product is supplied in set.
- We can design and supply product according to customer's requirements. The customer just needs to fill the engineering parameters and configuration requirements according to the engineering parameters table in the manual. Our technology department will provide program and offer based on the table.

- Recommended Pump: U-flo SVP safe-noise pump.

- General supply range of complete equipment:

Pipeline components: (from the inlet flange of the steady flow tank to the flanges at the both sides of outlet) The user just connect the inlet flange of the steady flow tank and the flange at the both sides of the outlet pipe of the pump. But the water inlet valve and expansion pipe filters must be installed at the inlet part while the outlet valve must be installed at the outlet part. Our equipment can not be used as the supporting point (make the pipeline support brackets separately).

The main power line: (the route map marked on the door shell of the control box) the user shall connect the main power line to the inlet terminal in the control box.

Power lines and signal lines: Our equipment and control box are connected type (both the power lines and signal lines have been connected). The user can set the wiring way while purchased. The threading pipe or cable bridge can be pre-arranged according to the drawing.

Pump house: The user must provide bright and spacious equipment placement, ensure enough space for equipment and certain maintenance distance. There must be the appropriate lighting and power outlet, drainage to the outside, or sump with sewage pumps. If the humidity of pump house is too big, the dehumidifier shall be provided.

Special Instructions: If the user needs to buy special items, such as expansion pipe filters, backflow prevention device, outlet main valve with flange, electromagnetic flow meter, water disinfectant, dehumidifiers etc, please show the details when ordering.

- 用户可根据我公司提供的样本，自行选择设备型号，本产品成套供应。
- 本公司可根据客户的要求进行设计和供货，用户只须按照客户工程参数表的要求详细填写工程参数和配置要求，本公司技术部根据此表为客户提供方案和报价。
- 本公司推荐水泵：U-flo SVP 系列静音潜水泵
- 成套设备常规供货范围：

管道件：(稳流调节罐上的进水口法兰至出水总管两侧法兰内为我公司成套供应范围)；用户只须连接稳流调节罐上的进水口法兰及水泵出水总管两侧法兰即可，但进水部分必须安装进水阀门及伸缩管道过滤器，出水部分必须安装出水阀门，并且不能以我公司设备作为支撑点（单独制作管道支撑托架）

主电源线：(我公司控制柜门上标有线路图)。由用户将主电源线联接至控制柜内进线端子上即可

动力线及信号线：我公司的设备与控制柜是连体型（动力线及信号线均以连接完好）。如用户代购，布线方式由用户自定自理，可以按图预先预埋地下穿线管或布置电缆桥架。

泵房：用户必须提供宽敞明亮的设备安置点，有足够的地方安置设备和保证有一定的维修间距，泵房内应有相应的照明和电源插座，必须有向室外排水的排水点，或集水坑及排污泵，如泵房湿度太大必须购置除湿机。

特殊说明：用户如需选购特殊件：伸缩管道过滤器、倒流防止器、进出水总阀带法兰、电磁流量计、水质消毒器、除湿机等，请在订货时详细说明。

VARIABLE FREQUENCY WATER SUPPLY EQUIPMENT

ZJBG SERIES / 智能静音变频供水设备
ZJBG系列

Service commitment 服务承诺:

- Pre-sales service:

Free design before signing the contract, choose reasonable, reliable and economical water solution.

- Sales service:

After the signing of the contract, provide the foundation drawings, the installation drawings, control wiring diagram etc.

- After-sales service:

1. After the product acceptance and delivery, provide operator free training which includes equipment functions, operating methods, attentions, routine maintenance, emergency treatment, etc.

2. The guarantee period is one years (from the date of the Contract comes into force). We will repair or replace freely for quality problem under normal use within one years. After Warranty expires, we only charge the cost of maintenance.

3. The customers' 100% satisfaction is the starting point of our work. There are special technical workers for after-sales service to fulfilling our promise. Since the equipment delivery date, we will appoint responsible person for equipment inspection and maintenance. Provide free equipment inspection per quarter permanently. The lifetime service ensures the equipment 100% reliable operation.

Nanjing U-flo pumps Co., Ltd.

- 售前服务：

合同签订前帮助用户免费设计，选择合理、可靠、节俭的工程供水方案。

- 售中服务：

合同签订后，提供设备基础图，安装图，控制接线图等。

- 售后服务：

1. 产品验收交付后，免费对用户的操作人员进行系统培训。培训的内容包括：设备的功能、设备的操作、注意事项、日常维护保养及故障紧急处理等。

2. 设备的保修期为一年(自合同生效日起)，一年内若正常使用出现质量问题所造成的一切故障，我公司无偿修复更换。保修期满后的维修只收取成本费用。

3. 用户 100% 满意是我们工作的起点。售后服务专人负责，以实现我们的承诺：自设备交付使用日起，我公司专人负责设备的巡检、保养，将永久性对设备每季度一次免费巡检，终生服务，确保用户设备运行 100% 可靠。

南京尤孚泵业有限公司

ZJBG

Service

