

沉水式污水泵  
SUBMERGED SEWAGE PUMP



联系我们

WWW.U-FLO.CN

**营销总部 Marketing Headquarters**

ADD: 南京市栖霞区仙尧路2号移动互联网产业基地1号楼(210046)  
Building No.1, Mobile Internet Industry Base, No.2 xiayao RD,Qixia District, Nanjing  
TEL: (86)25-52231105 / 52230907 / 52230921 / 84846376 FAX: (86)25-52230912 / 84676563

**中国工厂 Chinese Factory**

ADD: 南京市溧水经济开发区南区罗马工业园18号 ( 211200 )  
18# Rome Industry Park, Southern District, Lishui Economic Development Zone, Nanjing  
TEL: (86) 25-56610801 / 56610802 / 56610803 / 56610805 / 56610815 FAX: (86) 25-56610806

销售服务热线: 400-100-8486 售后服务热线: 400-108-8170

南京方卓品牌设计 | www.njfad.com

VQ/VX/VW  
**SUBMERGED  
SEWAGE  
PUMP**



# Contents 目录

## 03/04 COMPANY PROFILE 公司介绍

U.S. U-flo

美国尤孚

U-flo in China

尤孚中国

## 05/264 PRODUCTS 产品介绍

SUBMERGED SEWAGE PUMP VQ series

沉水式污水泵 VQ 系列

STAMPING STAINLESS STEEL SEWAGE PUMP VX series

冲压不锈钢污水泵 VX 系列

STAMPING STAINLESS STEEL SEWAGE PUMP VW series

冲压不锈钢污水泵 VW 系列

## 265/273 APPENDIX 附录



*Water Can Fly*



**U-FLO U.S.** 美國尤孚

U-flo Pumps International LLC is a global water pump manufacturing and marketing company registered in Washington, USA. Our cooperated facilities are located in Italy, Japan, Taiwan and China. Our primary products include Deep-well Pumps, Above-ground Pumps, Sewage Pumps, Pumping Systems. They are widely used in power plants, paper mills, steel plants, agriculture irrigations, construction trades, industrial applications, mining operations, municipal utilities as well as oil/gas fields.

Integrity, Innovation, International

Since the first U-FLO water pump was manufactured, our people have been making unremitting endeavor to improve designs of the U-FLO water pump products. We apply the best industry practices and the best suitable materials for key components to the design and manufacturing of our pumps.

In addition to our state of art manufacturing facilities, we put a big effort on pump testing. Every product undergoes a rigorous testing and inspection process before being shipped to our customers. Our test facility incorporates a 12000 cubic meter (52,834 gallon) closed loop system with testing capacity of up to 800m<sup>3</sup>/h (2640GPM) with the maximum head of 200m (656ft), and 250 horsepower (dual voltages of 50Hz and 60Hz). Following a strict quality management system, all of our facilities are ISO 9001 and ISO 14001 certified.

Water is a vital part of our natural resources. While we always pursue the excellence of our products and services, we also take every step to promote environment-friendly and energy-saving solutions.

As a global pump manufacturer and supplier, U-FLO is committed to producing the finest water pumps in the world and continues to lead the way forward in the pumping industry.

U-FLOPUMPS INTERNATIONAL LLC 是一家总部注册在美国华盛顿州的全球化水泵制造与销售公司。我们在意大利、日本、台湾和中国大陆地区均设有合作工厂。我们主要产品包括深井泵、地面泵、污水泵和供水设备。产品广泛应用于电厂、造纸厂、钢厂、农业灌溉、建筑、工业应用、矿山、市政以及油田领域。

诚信、创新、国际化

自第一台 U-flo 水泵出厂以来，我们一直不懈努力，致力于改进 U-flo 水泵的设计。我们以最高的行业要求和最佳材料设计和制造水泵。

在严格工艺水平的同时，我们还致力于水泵的测试。每一台水泵在出厂前均需要经过严格的测试和检验。我们的测试台含 12000 立方米 (52,834 加仑) 封闭式循环系统，最大测试流量达 600m<sup>3</sup>/h (2640GPM)，最高扬程为 200m (656ft)，250 马力 (双电压 50Hz, 60Hz)。按照严格的质量管理体系，我们所有的工厂均通过 ISO9001 和 ISO14001 认证。

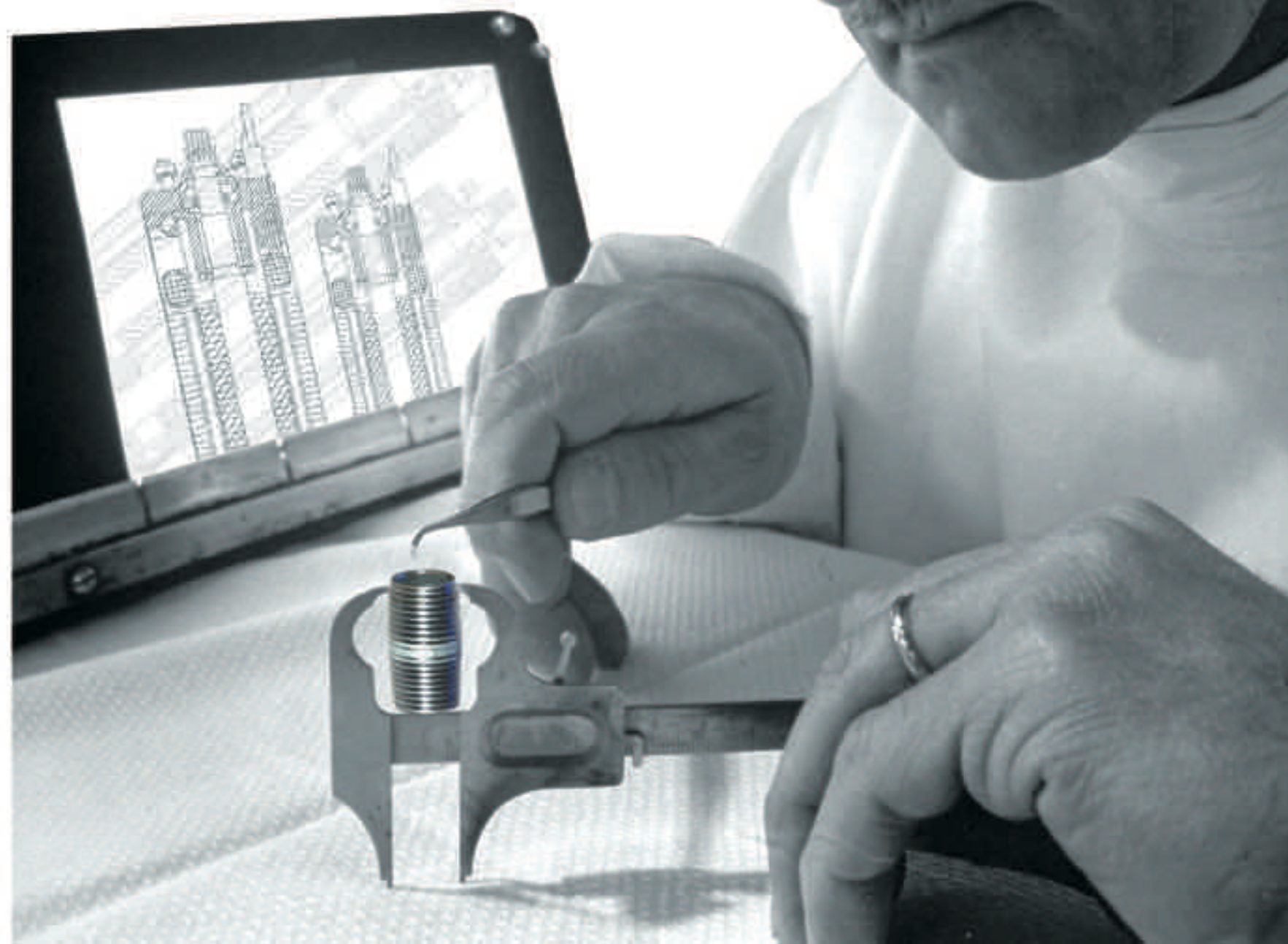
水是自然资源的重要组成部分。我们在追求卓越的产品和服务的同时，亦在努力推广环保和节能解决方案。

作为全球水泵制造商和供应商，U-flo 致力于生产全球最好的水泵，成为水泵行业的领导者。



Quality witness responsibility Technology create reliability

品质见证责任 专业成就信赖!



## Design & production 设计和制造

U-FLO independent research and development design and manufacture of VQ series submerged sewage pump, the Italian original package imports. Product material optional range, and according to the different application conditions and water quality characteristics of different type of impeller design. Make sure to provide you more professional solution. U-FLO VQ series submerged sewage pump with IE3 efficient motor, has a longer service life, and can maximize the energy saving effect.

尤孚自主研发设计制造的VQ系列潜水式污水泵，为意大利原装进口产品。产品材质可选范围广，并根据不同的应用工况及水质特点，设计出不同的叶轮型式。确保为您提供更加专业的解决方案。

尤孚VQ系列潜水式污水泵，配置IE3高效电动机，具有更长的使用寿命，并可实现最大化的节能效果。

## Introduction 产品概述

Introduced of foreign advanced technology and combined with features of domestic pumps, the new sewage pump features with energy saving, winding preventing, no blocking, automatic install and control and unique in solids and long-fiber waste handling. The unique impeller structure and latest mechanical seal ensure high efficiency in solids and long-fiber waste delivery.

VQ 系列污水泵产品是尤孚泵业研制成功的新一代泵类产品。具有节能效果显著，防缠绕，无堵塞，自动安装和自动控制等特点。在输送固体颗粒和长纤维垃圾方面，具有独特效果。采用独特叶轮结构和新型机械密封，能有效地输送含有固体物和长纤维。

U-FLO reserves the right to make modifications without notice.

U-FLO 有权对产品进行修改，恕不另行通知。



## SUBMERGED SEWAGE PUMP VQ SERIES

SUBMERGED  
PUMP SEWAGE  
VQ

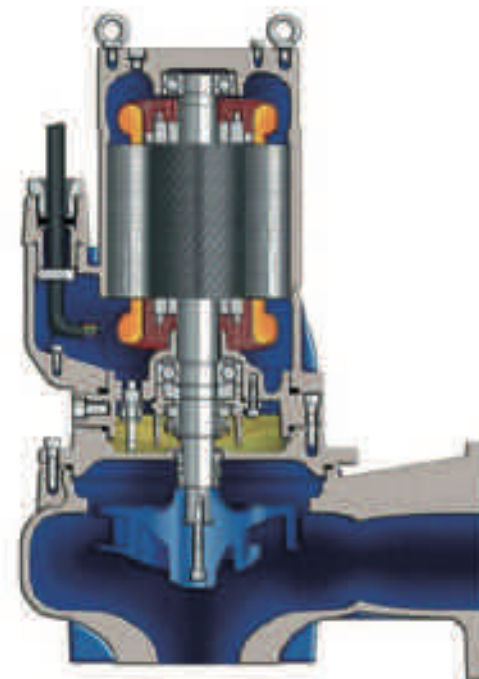
## I、Application 应用

1. Sewage water lifting station, tap water pump station
2. Sewage treatment plant
3. Industrial sewage & waste water treatment, such as oil field, power plant, steel plant
4. Domestic sewage treatment & waste water drainage, such as hospital, school, building, metro & tunnel
5. Industrial waste water treatment system, such as food, paper mills, mining, leather, chemical plant
6. Municipal use for emergency & drainage system
7. Sewage lifting & maniculture

1. 污水提升泵站、自来水加压泵站
2. 污水处理厂
3. 油田、电厂、钢厂等工业污水、废水处理
4. 医院、学校、建筑、地铁、隧道工程等污水处理、废水排放
5. 食品、造纸、采矿、皮革化工等工业废水处理系统
6. 市政抢险、市政排放系统
7. 海水提升、雨水弃排

## SUBMERGED SEWAGE PUMP

## II、FEATURES 特点



1. Painting: Epoxy Resin and special hardener coated appearance prevents liquid corrosion and ensures excellent protection.
2. Heavy duty bearing: Adopt imported heavy duty bearing which ensures a longer service life. The design complies with the following standard: bearing dimension, rated load, operating environment.
3. WD shaft seal leakage sensor: Reduce maintenance cost. Equip WD shaft seal leakage sensor on double-mechanical seal. When the shaft seal broke, the leakage sensor transmits signal to control panel, thus can maintain the shaft seal and other broken parts before water flow into motor and cause electric leakage.
4. Motor: Through strict quality management process, impregnated by varnish and 8-hour drying, motor reaches excellent insulation protection and ensures long operation without fault.
5. Cable support: Motor connecting part strengthens water proof. Core wire is treated by hardened Epoxy which prevents water into motor through cable. Totally meet the requirement of leakage proof and moisture proof.
6. Motor overload protection: Equip MPT mini temperature protector. When motor temperature rise abnormally, the protector will trip automatically and transfer signal to control panel, thus prevent motor failure.
7. Silicon carbide: Adopt silicon carbide shaft seal. Advanced material has good wear resistance and heat resistance. Better lubrication, adurable and water proof.
8. Impeller: Non block design, Big centrifugal channel type, high efficiency and performance, large particle passage, which can solve all sewage drainage problem.

1. 涂装: 水泵的表面以厚实 Epoxy Resin 及特殊硬化剂涂装处理, 能抵抗液体腐蚀, 给予外表较佳的保护。
2. 重负荷轴承: 采用进口重负荷轴承, 可延长使用寿命, 设计符合以下规格: 轴承尺寸、基本额定负载、使用环境。
3. WD 轴封泄漏检测器: 在双组式机械轴封上部, 装置 WD 轴封泄漏检测器, 感应轴封损坏进水时, 将讯号传导到控制盘显示, 所以在马达未进水漏电前, 提前维修轴封等破损部位, 可大幅降低维修成本。
4. 电机: 电机通过严谨的品质程序, 再经过凡立水树脂会浸和而后 8 小时的烘干, 达到最佳的绝缘保护, 可提供长时间无问题的运转。
5. 电缆线基座: 电机接线部分加强防水效果, 同时芯线部分也以硬化树脂 Epoxy 处理, 防止水气从电缆线进入电机, 完全达到防潮、防潮湿要求。
6. 电机过载保护: 装置 MPT 迷你温度保护器, 当电机异常温度上升会自动跳脱, 并将讯号传导到控制盘显示, 防止电机烧毁。
7. 碳化硅轴封: 先进的碳化硅材质, 耐磨损、耐蚀性优异, 润滑性更佳, 经久耐用、全面防水。
8. 叶轮: 不用富叶轮设计, 离心大通道式, 高性能、高效率, 极大口径通道, 能解决一切污物堵塞问题。

VQ

D

V

S

M

H

C

T

P

XD

XV

XC

XT

BD

BV

BC

Insulation

Vx

VW

附录

# SUBMERGED SEWAGE PUMP

## Impeller Types 叶轮类型

D



**DRAINAGE** Multi-blade impeller for light water. Applications: rain water, surface irrigation.

排水泵轻水用多叶片叶轮。  
应用范围：雨水、地面灌溉。

V



**VORTEX** Vortex impeller suitable for pumping liquids containing large solids and/or fibrous materials. Applications: urban sewerage systems, animal breeding plants.

涡流泵旋涡叶轮适合泵送液体中含有大量固体和/或纤维状材料。

应用范围：城市污水收集系统、动物繁殖场。

S



**SAND VORTEX** Impeller in Polyurethane with a stainless steel core. Applications in plants with a high sand presence, in machine work companies in the ceramic industry, crystals machining or industrial processes where there's presence of abrasive liquids.

涡流沙泵叶轮为不锈钢芯，涂覆聚氨酯。应用范围包括：含沙量高的工厂、大理石加工厂、陶瓷工业、晶体加工或有磨蚀性液体的工业生产方法。

M



**SINGLE CHANNEL** Single channel impeller, for liquids containing fibrous materials and/or suspended solids. Applications: purification plants, tanneries, animal breeding plants.

单渠道泵单渠道叶轮，用于泵送含纤维材料和/或悬浮物的液体。  
应用范围：净水厂、制革厂、动物繁殖场。

H



**HIGH PERFORMANCE** Multi-channel open rotor with high hydraulic efficiency, with selfcleaning blade profile which, through a special adjustable suction flange with grooves, allows the expulsion of solids and also fibrous.

高性能高效多渠道开放式对转涡轮，自我清洁叶片，通过特殊的可调带槽吸入法兰可排出固体颗粒和纤维。

C



**WITH CHANNELS** Closed multi-channel impeller, for clean liquids pumping or slightly laden liquids in handling absence of filamentous materials. Applications: large drainage systems, purification plants (e.g. airport).

带渠道闭式多渠道叶轮，用于清洁液体泵送或不会丝状材料的稍含杂质的液体。  
应用范围：大型排水系统、净化厂（如机场）。

T



**粉碎机** Multi-blade suction impeller with grinding group in stainless steel AISI 420, particularly suitable as a grinder for paper or textile materials. Applications: clearance of waste waters originating from service stations, residential communities, camping sites, etc.

粉碎机 AISI 420 不锈钢多叶片泵轮与粉碎组，特别适合作造纸或纺织材料的粉碎机。  
应用范围：加油站、居住区、露营地等地的废水清理。

P



**OPEN DOUBLE CHANNEL** Impellers are equipped of a special grinder system and are projected for waters and mud coming from agricultural drainages.

开式双渠道叶轮配有特殊粉碎系统，用于农业灌溉中的水或泥浆。

# SUBMERGED SEWAGE PUMP

## Installation Types 安装类型

P



Mobile installation with a x-foot support and connection for a rigid or flexible delivery pipe.

移动安装，带 X 脚支撑，可与刚性或柔性输送管连接。

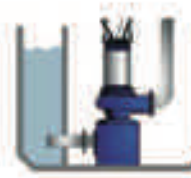
S



Free installation with support and threaded elbow.

自由安装，带支撑和螺纹弯头。

E



Dry pit installation, with x-foot rest and suction bend. Pump equipped with cooling jacket.

干坑安装，带 X 脚架和吸管弯头。泵配有冷却水套。

R



Fixed submersible installation, with automatic coupling feet and guide rails.

固定潜水安装，有自动耦合装置和导轨。

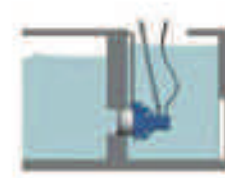
T



Fixed installation for submersible mixers with adjustable lifting device.

固定安装，用于带可调提升装置的潜水搅拌机。

N



Fixed installation for electric propeller pumps with lifting device and automatic coupling.

固定安装，用于带提升装置和自动耦合装置的磁极泵。

VQ

D

V

S

M

H

C

T

P

XD

XV

XC

XT

BQ

BV

BC

Installation

Vx

VW

附页

## Identification And Denomination Method 识别和命名方法

### Series 系列 Electric Pump Initial Base 电动泵初始基本型

VQ	G	4	10	R	6	V
Machine type 污水泵类型	Material type 材料类型	Poles nr 极数	Motor size 电机尺寸	Power supply 电源	Nr. of blades 叶片数	Impeller version 叶轮类型
VQ Cast 304 stainless steel submerged sewage pump 铸造304不锈钢污水泵	A Aluminium A 铝		IEC 63 06 IEC 71 07	A 500V 60Hz 3ph A 500/865V 60Hz 3ph		V Vortex V 涡流
VQC Cast iron submerged sewage pump 铸铁污水泵	B Bronze B 青铜		IEC 71-80 71	B 48V 50Hz 1ph C 500V 60Hz 3ph		M Single channel M 单通道
VQN Cast 316 stainless steel submerged sewage pump 铸造316不锈钢污水泵	C Bronze Aluminium C 青铜和铝合金		IEC 80 08 IEC 90 09	D 400V 60Hz 3ph D 080V 60Hz 3ph		H Multichannel "high efficiency" H 多通道 "高效"泵
VQD Cast duplex stainless steel submerged sewage pump 铸造双相不锈钢污水泵	D Duplex D 双相合金		IEC 100 10 IEC 112 11	E 460/796V 60Hz 3ph E 460V 60Hz 3ph H 440/782V 60Hz 3ph		C Channels C 通道
VQB Cast bronze material submerged sewage pump 铸造青铜材质污水泵	E Super Duplex E 超级双相合金		IEC 132 13	H 440V 60Hz 3ph		D Drainage D 排水
	G Cast iron G250 G 铸铁 G250		IEC 160 16	K 110V 60Hz 3ph		T Grinder T 粉碎
	H Hastelloy H 哈氏合金		IEC 180 18 IEC 200 20	L 230V 60Hz 3ph M 230V 50Hz 1ph		P Open double channel P 开式双通道
	J Alloy J 合金		IEC 225 22	N 230V 60Hz 1ph		S Sand vortex water S 沙涌流水
	S Spheroidal cast iron S 球墨铸铁		IEC 250 25	P 415/718V 50Hz 3ph Q 500/865V 50Hz 3ph		
	T AISI 316Ti			R 400/690V 50Hz 3ph		
	X AISI 316			S 230/400V 50Hz 3ph		
	Y AISI 316L			T 400V 50Hz 3ph		
				U 230/400V 60Hz 3ph		
				W 400/690V 60Hz 3ph		
				Y 208/360V 60Hz 3ph		
				V 208V 60Hz 3ph		

## Identification And Denomination Method 识别和命名方法

### Construction 构造

1	M	64	A	A	2
Impeller size 叶轮尺寸	Outlet diameter (mm) 出口直径 (mm)	Free passage (mm) 自由通行 (mm)	Variants of liquid type 液体类型	Installation variants 不同安装类型	Variants of motor protections 电机保护不同类型
D 1" 1/4			A Standard A 标准	A Standard A 标准	0 Standard 0 标准
F 1" 1/2			H Bronze impeller, Inox shaft H 青铜叶轮, 不锈钢轴	B Float switch B 浮子开关	1 Stator's thermal sensors 1 定子热敏元件
G 2"			J Seal and O-Ring Viton J 密封和 O 形环氟化橡胶	C Capacitor circuit breaker C 电容断路器	2 Thermal sensors, water probe 2 热传感器, 水位探头
H 32			K Inox impeller and shaft K 不锈钢叶轮和轴	D B+C	3 PTC, water probe 3 PTC, 水位探头
I 40			L J+K	E A+Motor for inverter E A+逆变器电机	4 Motor winding H trop. 4 电机绕组 H TROP 类别
K 50			M Treatment against corrosion M 防腐处理	H J+Motor for inverter H J+逆变器电机	5 H trop, class. Thermal sensors, Water probe 5 H TROP 类, 热传感器, 水位探头
L 65			S increased motor S 大尺寸电机	J cable J 电缆	6 Ex protection 6 Ex - 额外防护
M 80				L Special cable L 特种电缆	7 Thermal sensors, H trop class. 7 热传感器, H TROP 类
P 100				M Cooling jacket M 冷却套	8 Thermal sensors, H trop class, Ex 8 Ex - 热传感器, H TROP 类, 额外防护
R 125				P L+Motor for inverter P L+逆变器电机	
S 150				S M+Motor for inverter S M+逆变器电机	
T 200				U liquid temperature 50/60° C U 液体温度 50/60° C	
V 250					
W 300					
X 350					
Y 400					
Z 500					

## SUBMERGED SEWAGE PUMP VQ SERIES

SUBMERGED  
PUMPS SEWAGE  
VQ

铸铁D型叶轮



## I、Application 应用

Submersible electric pumps for drainage are used prevalently for to pump light water or lightly dirty water, in particular for the emptying of rain water and storm water contents, mud (building site, tanks, ponds...).

排水用潜水电泵普遍用于泵送轻水或轻度污水，特别适用于雨水和地漏水、污泥（工地、水池、池塘...）排水。

## II、Construction Data 结构数据

Submersible electric pumps, robust in construction, watertight electric motors accommodated in compartment, connected, by shafts of reduced lengths, to the impellers situated at the pump casing by the interposition of oil chamber between the hydraulic side and the electric motor.

潜水电泵构造结实，电动机室防水密封，由短轴连接到泵壳内的泵轮上，润滑油室位于泵壳的液压侧与电机之间。

## III、Materials 材料

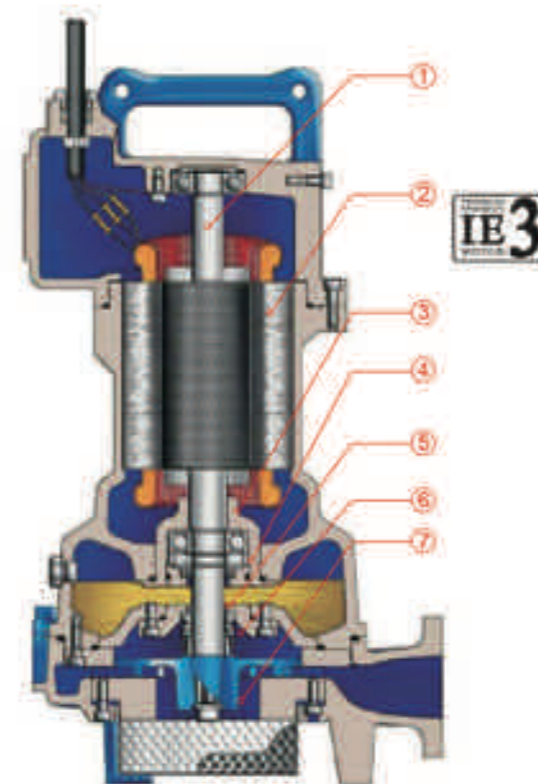
Motor Housing	电机外壳	Cast Iron EN-GJL-250	铸铁 EN-GJL-250
Impeller Spheroidal	叶轮球墨外壳	Cast-Iron GS400	铸铁 GS400
Electric Cable	电缆	Neoprene H07RN-F	氯丁橡胶 H07RM-F
Shaft	轴	Stainless Steel AISI 420B/431	不锈钢 AISI 420B/431
O-rings And Lip Seal	O 形环和唇形密封	Nitrile	丁腈橡胶
Bolt	螺栓	A2 Class - AISI 304	A2 类 - AISI 304
Mechanical Seal	机械密封	Silicon Carbide / Silicon Carbide	碳化硅/碳化硅

## SUBMERGED SEWAGE PUMP

VQC / 铸铁污水泵

## IV、Features 特点

Submersible electric pumps for drainage 2 poles  
潜水电泵 2 极 (2900rpm) / 排水用



- 1 Shafts grided down in ball bearings and mechanical seals, over-dimensioned respect to standard parameters of use.
- 2 Motor asynchronous three-phase squirrel cage type, insulation class H(180 ° C). Dry motor, cooled by surrounding liquid. Protection degree IP 68. The motor is projected for continuous or intermittent operation, with a maximum of 15 starts per hour at regular intervals. The motor is projected for working with 5% maximum voltage unbalance between phases.
- 3 Ball bearings overdimensioned, life lubricated, maintenance free.
- 4 Oil chamber: oil lubricates and cools the seals and eliminates eventual water infiltrations. This electric pump has two types of seals for a perfect insulation between the electric motor and the pumped liquid. Upper seal: lip seal NBR.
- 5 Lower seal: mechanical, silicon carbide.
- 6 Impellers are projected in order to guarantee and assure a high hydraulic efficiency and low power consumption.
- 7 The screen protection is typical of this type of pump. It is put in the suction side in order to prevent clogging of hydraulic parts during functioning.

- 1 轴经球轴承压入，机械密封更，尺寸大于标准使用参数。
- 2 异步电机三相鼠笼型，绝缘等级 H(180 ° C)。干电机，由周围液体冷却。防护等级 IP 68。电机用于连续或间歇运行，按固定时期内每小时最多启动 15 次。电机用于相间电压不平衡最大为 5% 的工作环境。
- 3 大尺寸滚珠轴承，长效润滑，免维护。
- 4 润滑油室：润滑油和冷却密封件并防止水渗透。该电机有两种类型密封件，可在电动机和泵送的液体之间完美绝缘。顶部密封：唇式密封（丁腈橡胶）。
- 5 底部密封：机械密封，碳化硅密封。
- 6 泵轮用于保证和确保高液力效率，低功耗。
- 7 屏幕保护是这种类型泵的典型配置，防止在运行过程中堵塞高压件。

VQ

D

V

S

M

H

C

T

P

XD

XV

XC

XT

BD

BV

BC

Installation

VX

VW

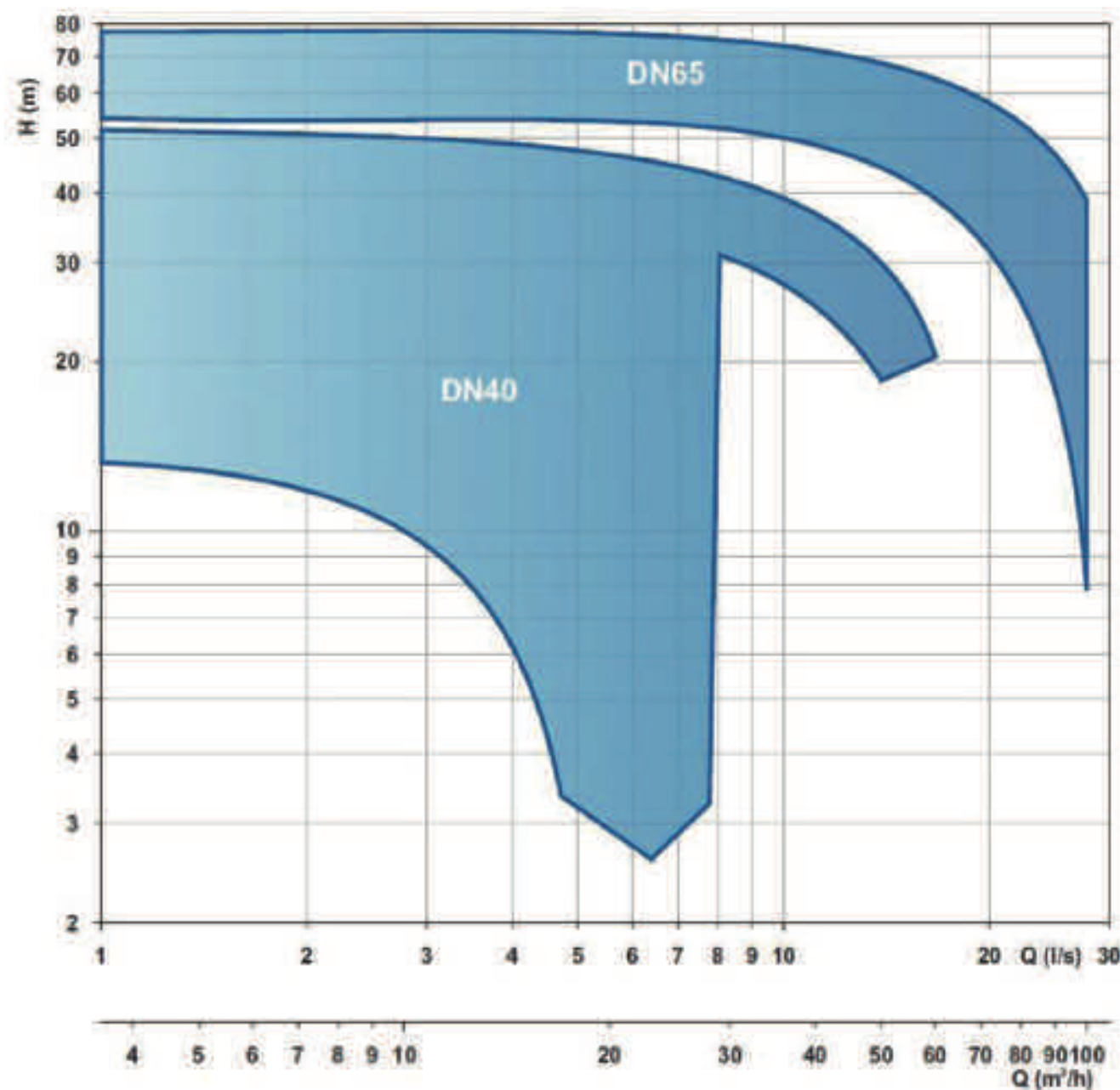
附录



# SUBMERGED SEWAGE PUMP

VQC / 铸铁污水泵

## V、Submersible Electric Pumps For Drainage 2 Poles 潜水电泵/2极 (2900rpm) /排水用

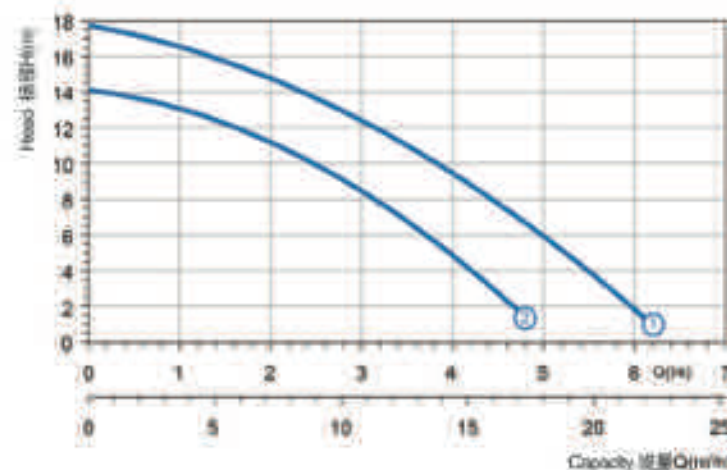


Technical data sheets are available on our web site [www.u-flo.com](http://www.u-flo.com)  
 技术资料表可访问我们的网站获取: [www.u-flo.com](http://www.u-flo.com)

# SUBMERGED SEWAGE PUMP

VQC / 铸铁污水泵

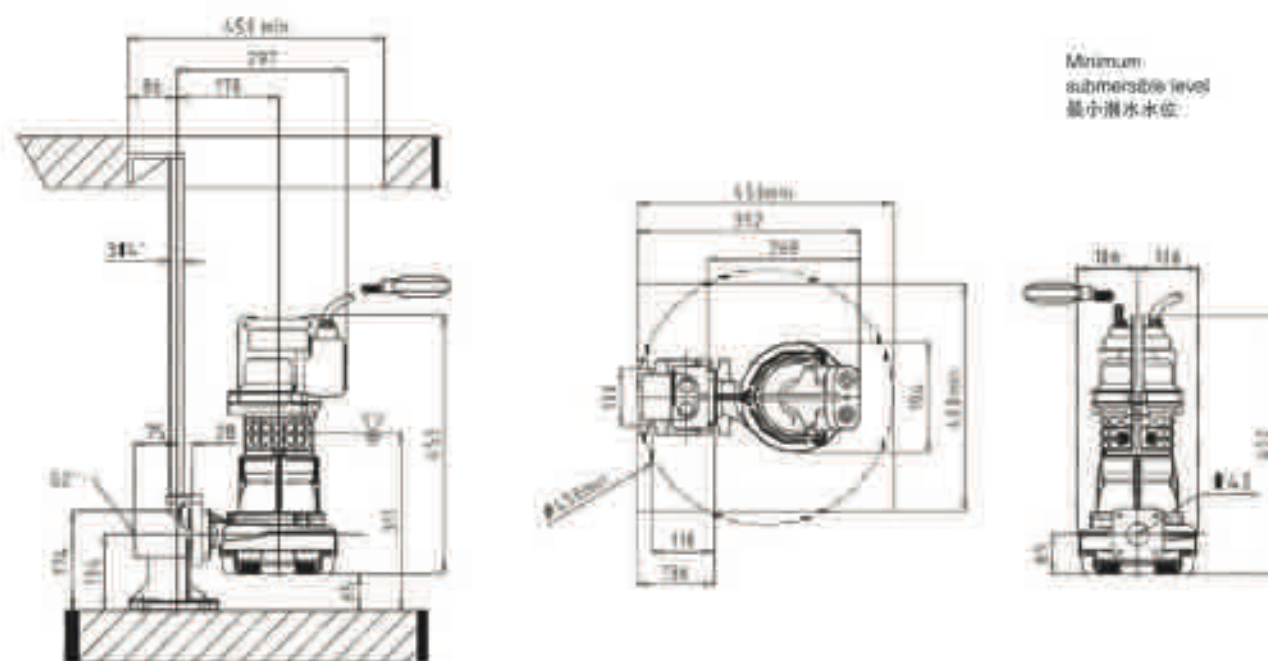
## VI、Performance Curve 性能曲线



电压	110V/220V/380V
每分钟转速	2900
自由口径 (mm)	8
接管口径 (mm)	DN 40
最大重量 (Kg)	31

流量 (m³/h)	功率 (kW)	电压 (V)	额定功率 (kW)	额定电压 (V)	额定电流 (A)	ATEX 认证
1	7000904	G272M0D1-J6AB1	1.1	3.6	24.4	-
2	7009018	G272M0D2-J6AB1	1.1	3.6	24.4	-

## VII、Dimensions 尺寸(mm)



VQ

D

V

S

M

H

C

T

F

XD

XV

XC

XT

BD

BV

BC

Installation

VX

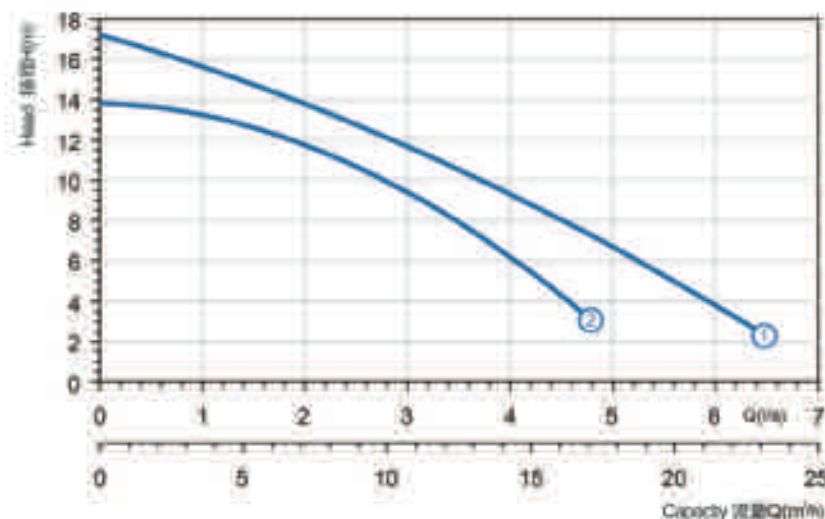
VW

附录

# SUBMERGED SEWAGE PUMP

VQC / 铸铁污水泵

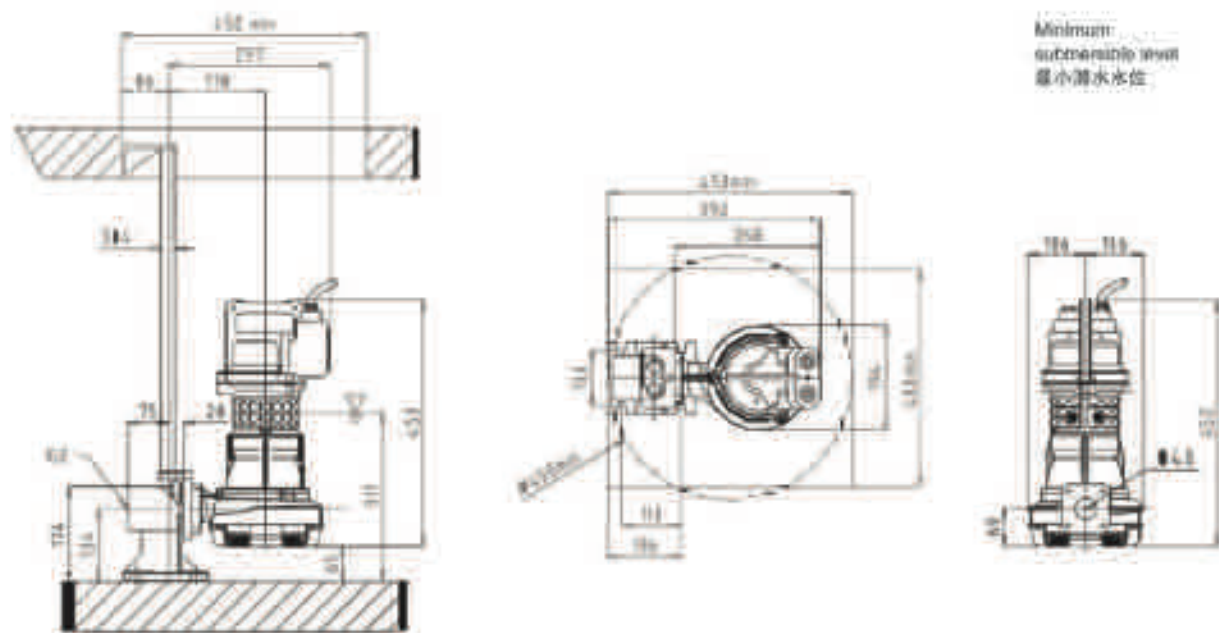
## VI、Performance Curve 性能曲线



电压	3ph 400V-50Hz
每分钟转速	2850
自由扬程 (mm)	6
接管直径 (mm)	DN 40
最大重量 (Kg)	51

电压	代码	型号	额定功率P2 (kW)	额定流量Q (m³/h)	启动电流I (A)	ATEX 认证
1	700061	G271D01-J6A4D	1.4	2.7	13.2	-
2	700017	G271D02-J6A4D	1.1	2.4	11.8	-

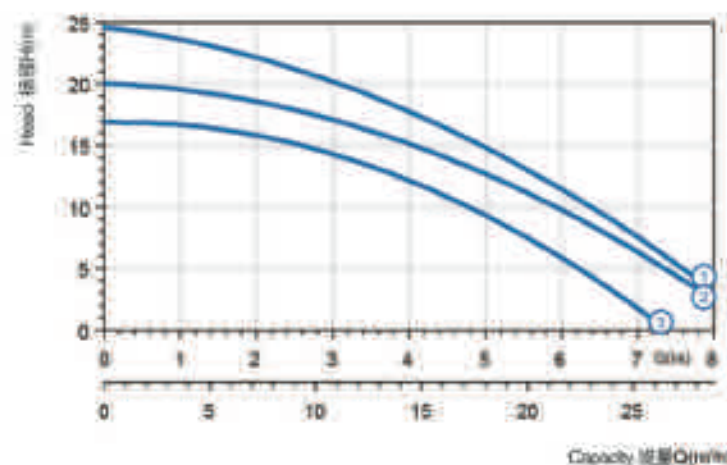
## VII、Dimensions 尺寸(mm)



# SUBMERGED SEWAGE PUMP

VQC / 铸铁污水泵

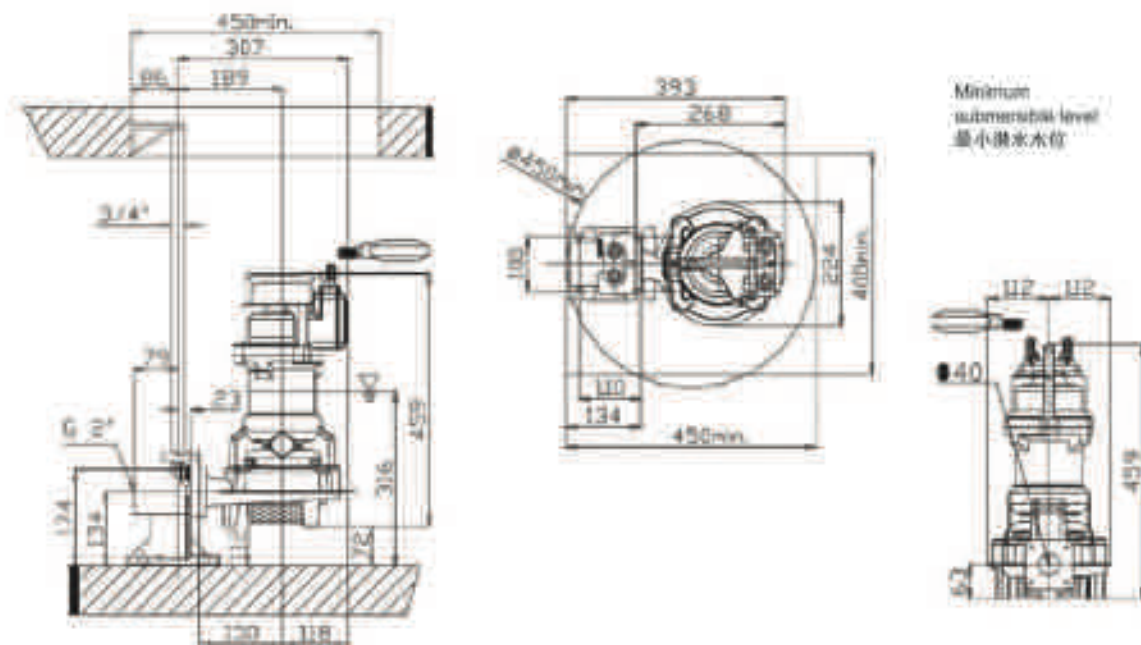
## VI、Performance Curve 性能曲线



电压	1ph 230V 50Hz
每分钟转速	2850
自由扬程 (mm)	6
接管直径 (mm)	DN 40
最大重量 (Kg)	38

电压	代码	型号	额定功率P2 (kW)	额定流量Q (m³/h)	启动电流I (A)	ATEX 认证
1	7003536	G271M0D1-J6A81	1.9	3.6	11.4	7002810
2	7003535	G271M0D2-J6A81	1.5	3	9	7003547
3	7003534	G271M0D3-J6A81	1.5	3	8	7003546

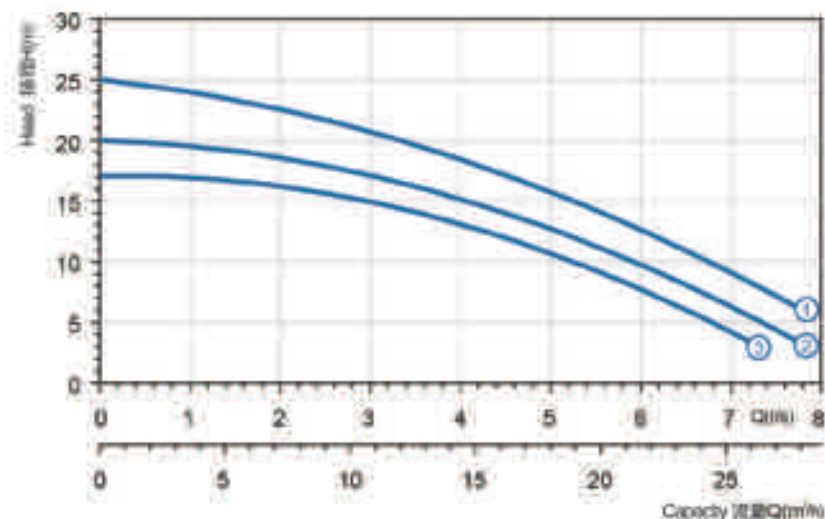
## VII、Dimensions 尺寸(mm)



# SUBMERGED SEWAGE PUMP

VQC / 铸铁污水泵

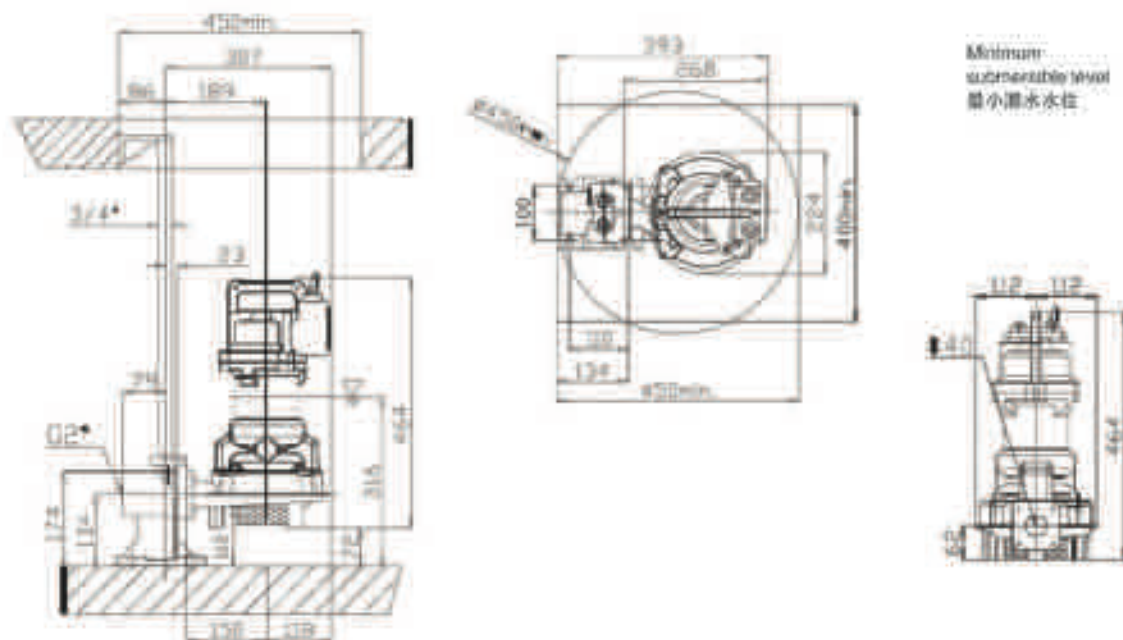
## VI、Performance Curve 性能曲线



电压	3x3 400V-50Hz
每分钟转速	2850
自由扬程 (mm)	8
接管直径 (mm)	DN 40
最大重量 (Kg)	38

电机N°	代码	型号	电机			ATEX 认证号
			额定功率P2 (kW)	额定电压 (V)	额定电流 (A)	
1	7003536	G271T8D1-J6AA0	2.4	4.5	26.6	7003443
2	7003432	G271T8D2-J6AA0	1.8	3.5	17.2	7003442
3	7003430	G271T8D3-J6AA0	1.8	3.1	15.2	7003441

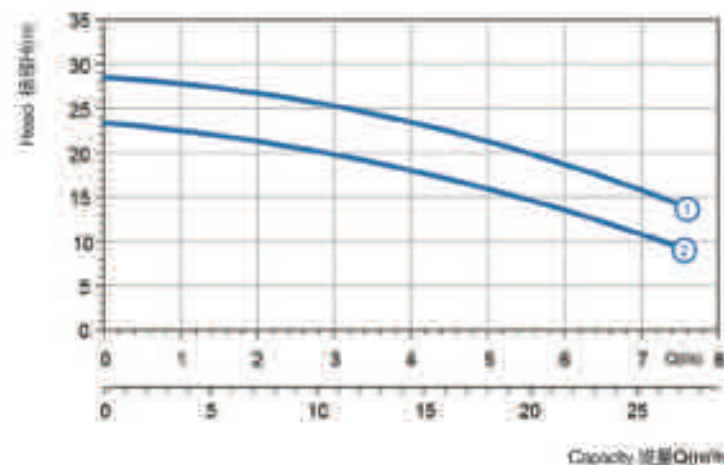
## VII、Dimensions 尺寸(mm)



# SUBMERGED SEWAGE PUMP

VQC / 铸铁污水泵

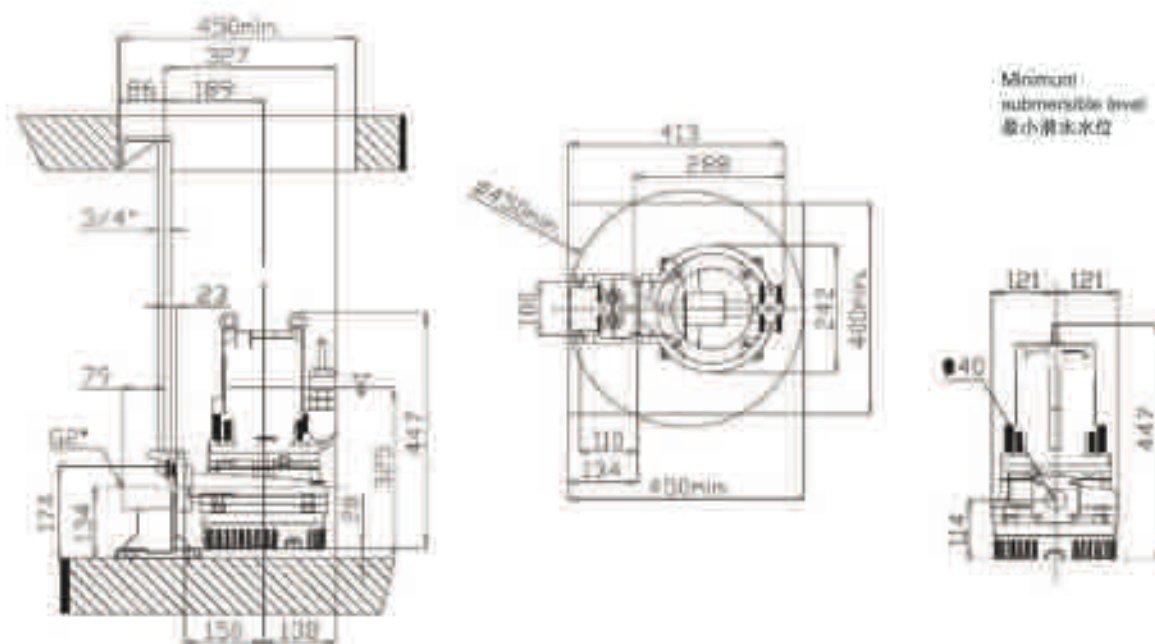
## VI、Performance Curve 性能曲线



电压	3x3 400V-50Hz
每分钟转速	2850
自由扬程 (mm)	7
接管直径 (mm)	DN 40
最大重量 (Kg)	35

电机N°	代码	型号	电机			ATEX 认证号
			额定功率P2 (kW)	额定电压 (V)	额定电流 (A)	
1	7003436	G271T8D1-J7AA0	3.1	5.8	34.2	7003446
2	7003434	G271T8D2-J7AA0	2.3	5.0	34.2	7003444

## VII、Dimensions 尺寸(mm)

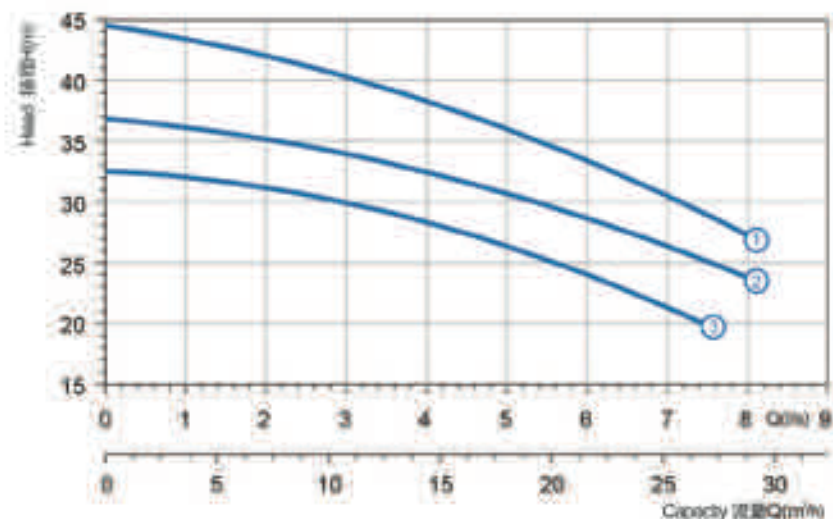


VQ  
D  
V  
S  
M  
H  
C  
T  
F  
XD  
XV  
XC  
XT  
BD  
BV  
BC  
Installation  
VX  
VW  
附录

# SUBMERGED SEWAGE PUMP

VQC / 铸铁污水泵

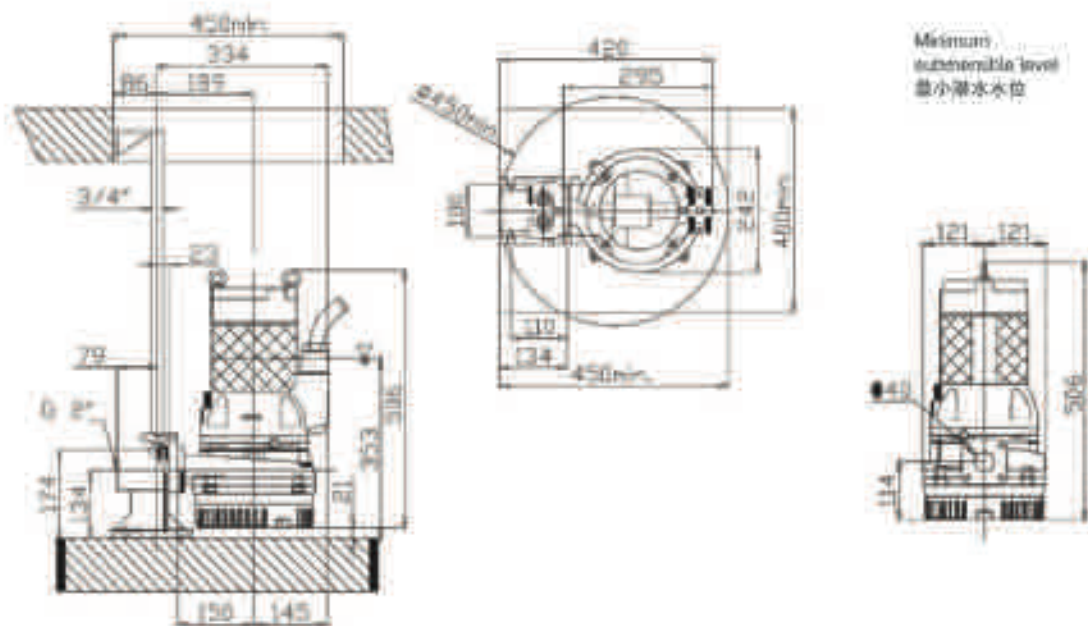
## VI、Performance Curve 性能曲线



电压	3~300/380V/50Hz
每分钟转速	2850
轴径直径 (mm)	7
屏蔽直径 (mm)	DN 40
最大重量 (Kg)	88

型号	功率	电压	ATFX 认证号	
流量 (m³/h)	扬程 (m)	效率 (%)		
1. 7003480 G21URD1-U7AA2	6	10.3	64.3	7003481
2. 7003484 G21URD3-U7AA2	8	9.1	53.7	7003485
3. 7003486 G21URD4-U7AA2	4.2	7.7	45.4	7003487

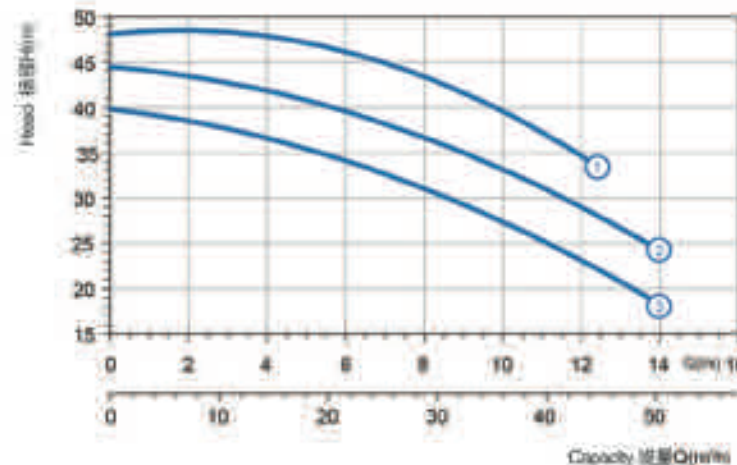
## VII、Dimensions 尺寸(mm)



# SUBMERGED SEWAGE PUMP

VQC / 铸铁污水泵

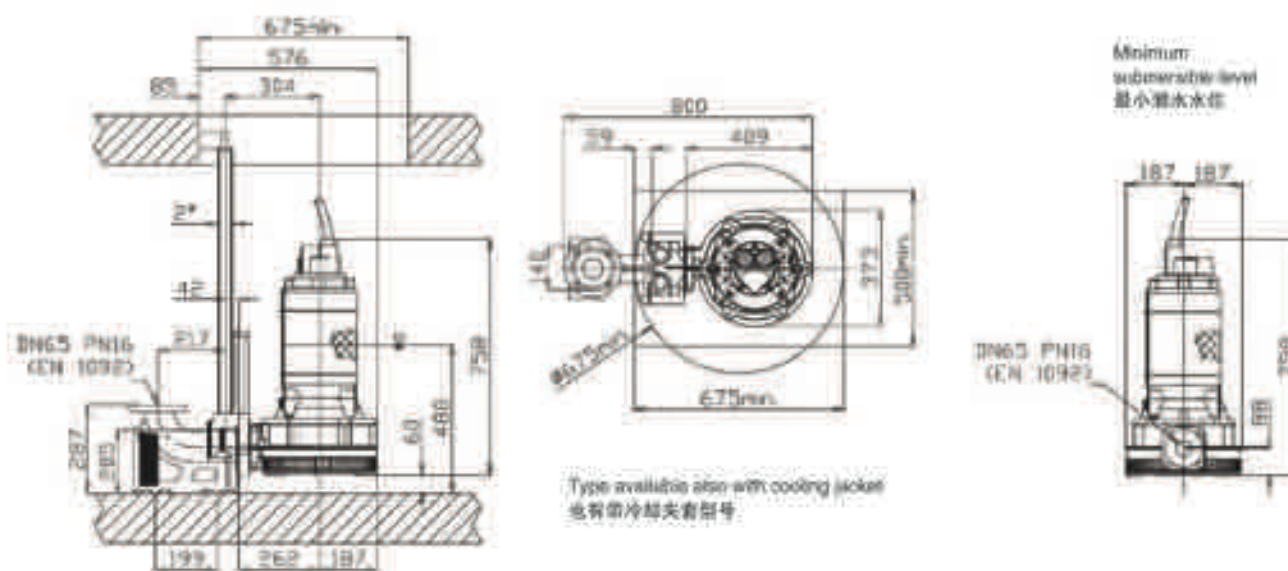
## VI、Performance Curve 性能曲线



电压	3~300/380V/50Hz
每分钟转速	2850
轴径直径 (mm)	8
屏蔽直径 (mm)	DN 65
最大重量 (Kg)	176

型号	功率	电压	效率 (%)			ATFX 认证号
流量 (m³/h)	扬程 (m)	效率 (%)	效率 (%)	效率 (%)		
1. 700887 G21FRD4-L8AA2	10	16	106	700890		
2. 7008748 G21FRD1-L8AA2	9	16.2	85.6	7008905		
3. 7002780 G21FRD2-L8AA2	7.5	13.5	19.7	7002069		

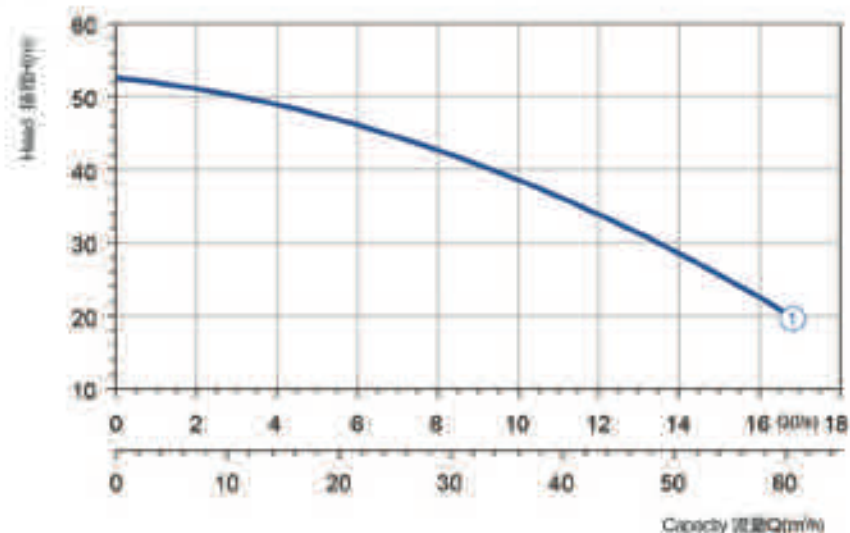
## VII、Dimensions 尺寸(mm)



# SUBMERGED SEWAGE PUMP

VQC / 铸铁污水泵

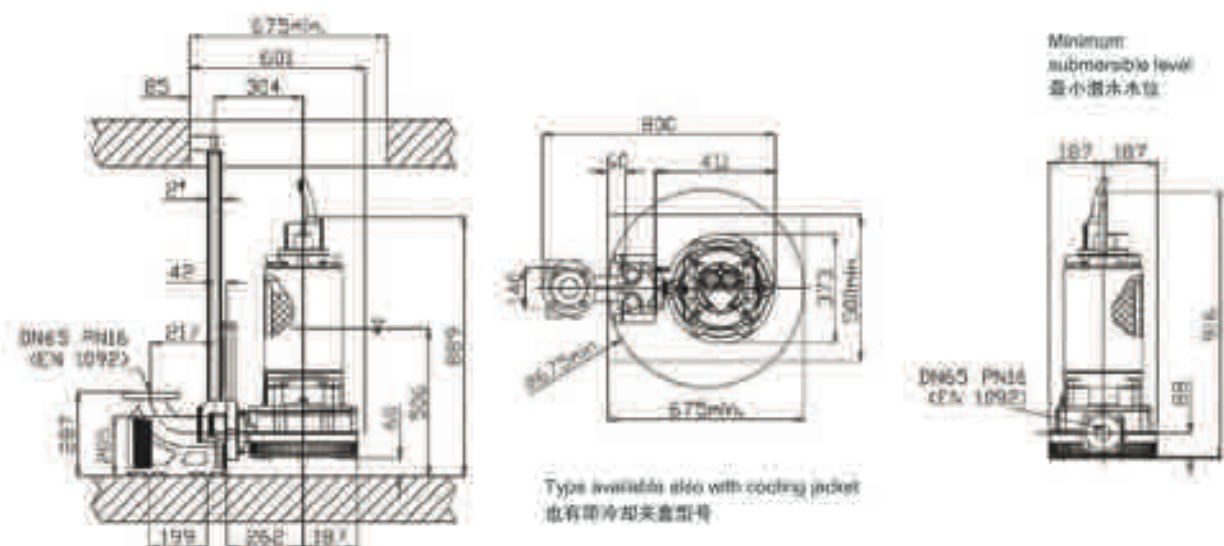
## VI、Performance Curve 性能曲线



电压	300/360V/50Hz
每分钟转速	2850
轴出直径 (mm)	Ø
屏蔽直径 (mm)	DN 65
最大重量 (kg)	38

电机	材料	型号	电压	ATFX 认证号		
1	Y001365	G213R07-L10AA2	0.7	21.7	125	1005055

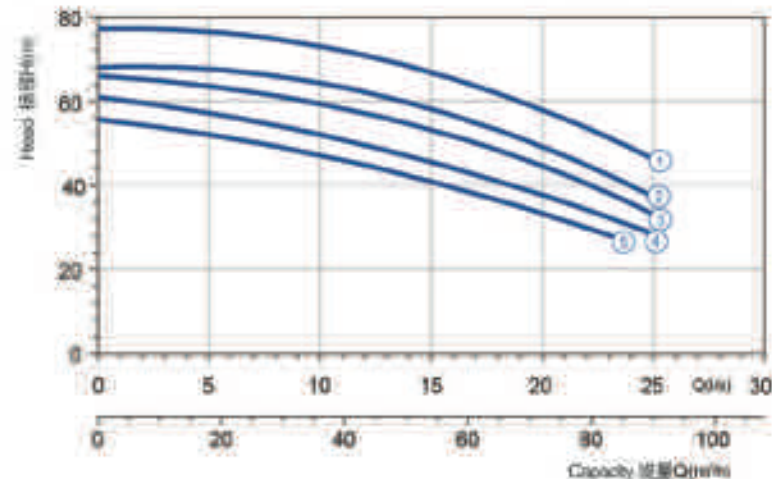
## VII、Dimensions 尺寸(mm)



# SUBMERGED SEWAGE PUMP

VQC / 铸铁污水泵

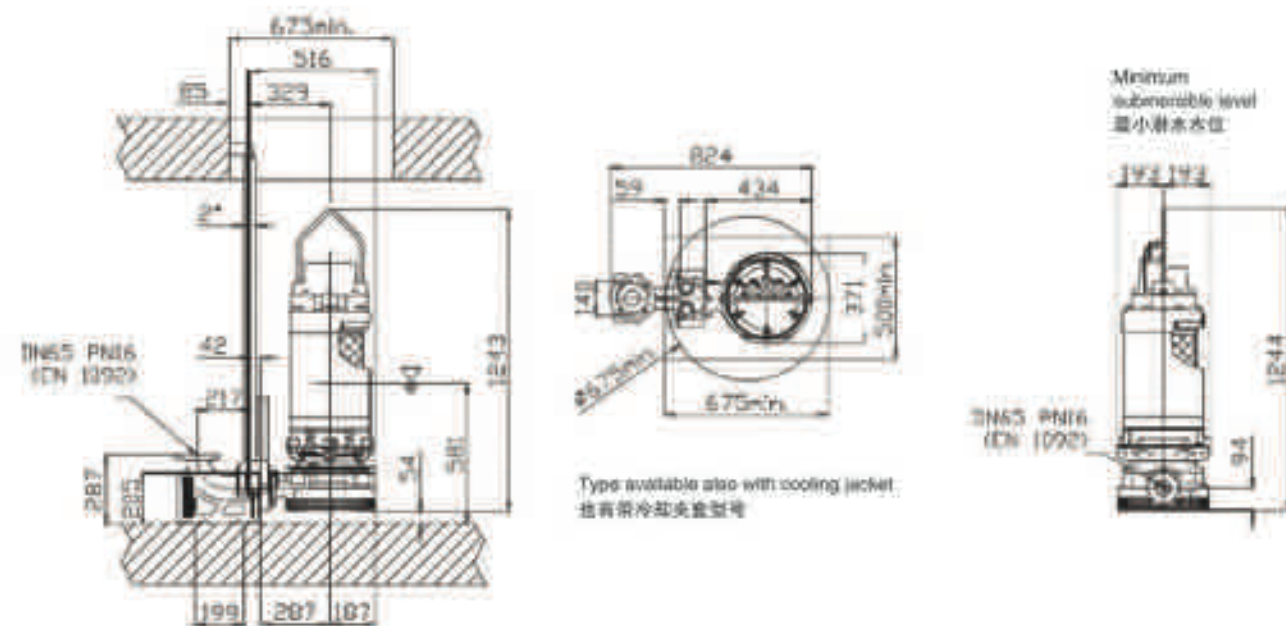
## VI、Performance Curve 性能曲线



电压	300/360V/50Hz
每分钟转速	2850
轴出直径 (mm)	10
屏蔽直径 (mm)	DN 65
最大重量 (kg)	350

电机	材料	型号	电压		ATFX 认证号	
额定功率 (kW) / 额定电压 (V) / 额定电流 (A) / 额定转速 (rpm)						
1	Y002210	G215R4D1-L10AA2	27	66.0	377	7007622
2	Y005501	G215R4D2-L10AA2	35.1	85.5	357	7007567
3	Y00706	G215R4D3-L10AA2	22.4	38.0	330	7007298
4	Y00707	G215R4D4-L10AA2	20	33.8	311	7007300
5	Y00738	G215R4D5-L10AA2	18	32.2	190	7007135

## VII、Dimensions 尺寸(mm)



- VQ
- D
- V
- S
- M
- H
- C
- T
- F
- XD
- XV
- XC
- XT
- BD
- BV
- BC
- Installation
- VX
- VW
- 附录

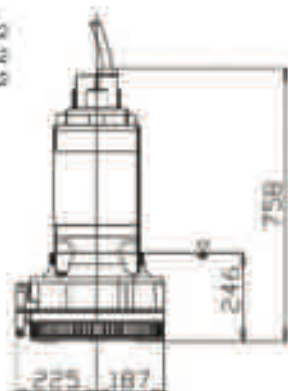
# SUBMERGED SEWAGE PUMP

VQC / 铸铁污水泵

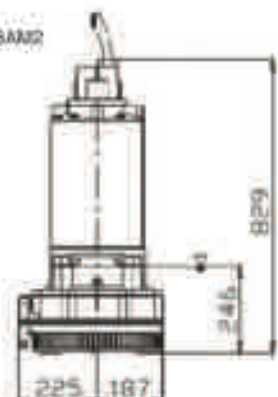
# SUBMERGED SEWAGE PUMP VQ SERIES

## VII、Dry Pit Installation 干坑安装

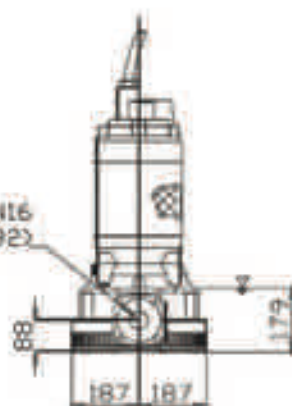
G211R6D4-L8AM2  
G211R6D1-L8AM2  
G211R6D2-L8AM2



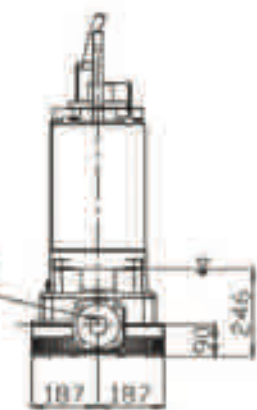
G213R6D7-L8AM2



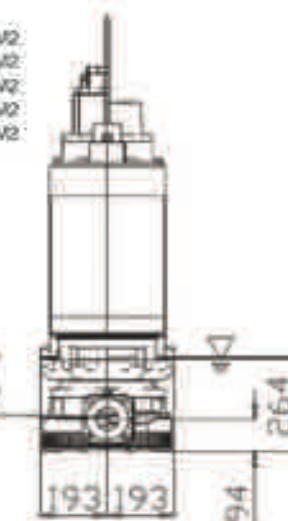
DN65 PN16  
(EN 1092)



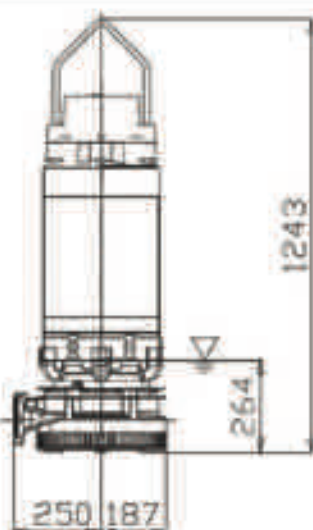
DN65 PN16  
(EN 1092)



G216R4D1-L10AM2  
G216R4D2-L10AM2  
G216R4D3-L10AM2  
G216R4D4-L10AM2  
G216R4D5-L10AM2



DN65 PN16  
(EN 1092)



Minimum submersible level  
最小潜水水位

# SUBMERGED PUMPS SEWAGE



铸铁V型叶轮



## I、Application 应用

Submersible electric vortex pumps are used predominantly for pumping sewage water and suspended solid bodies, in particular for emptying septic tanks and for other civil or industrial applications.

潜流电涡泵主要用于泵送污水和悬浮固体。尤其用于排空化粪池，以及其他民用或工业应用。

## II、Construction Data 结构数据

Submersible electric pumps, robust in construction, watertight electric motors accommodated in compartment, connected, by shafts of reduced length, to the impellers situated at the pump casing by the interposition of oil chamber between the hydraulic side and the electric motor.

潜水电泵构造结实，电动机室防水密封，由短轴连接到泵壳内的叶轮上，润滑油室位于泵壳的液压侧与电机之间。

## III、Materials 材料

Motor Housing 电机外壳	Cast Iron EN-GJL-250	铸铁 EN-GJL-250
Impeller Spherulite 叶轮球墨铸铁	Cast Iron EN-GJL-250-N	铸铁 EN-GJL-250-N
Electric Cable 电缆	Necrone H07RN-F	氟丁橡胶 H07RN-F
Shaft 轴	Stainless Steel AISI 420B/431	不锈钢 AISI 420B/431
O-Rings And Lip Seal O型环和唇形密封	Nitrile	丁腈橡胶
Bolt 螺栓	A2 class - AISI 304	A2类 - AISI 304
Mechanical Seal 机械密封	Silicon Carbide / Silicon Carbide	碳化硅/碳化硅

VQ

D

V

S

M

H

C

T

F

XD

XV

XC

XT

BD

BV

BC

Installation

VX

VW

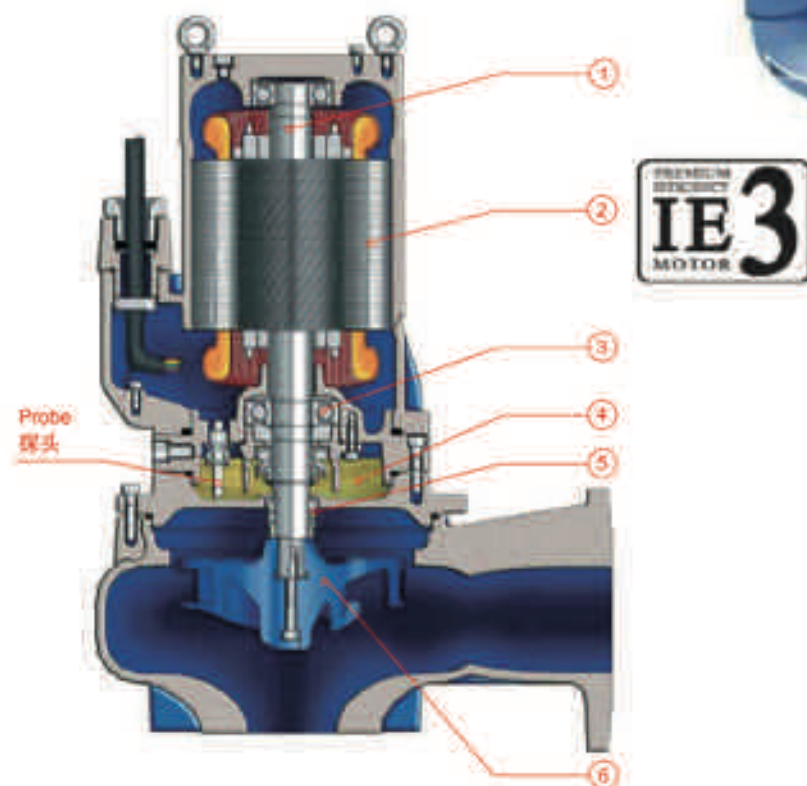
附录

# SUBMERGED SEWAGE PUMP

VQC / 铸铁污水泵

## IV、Features 特点

Submersible electric pumps vortex 3-6 blades 2 poles  
潜水涡流电泵/2极(2900rpm)/3-6叶片



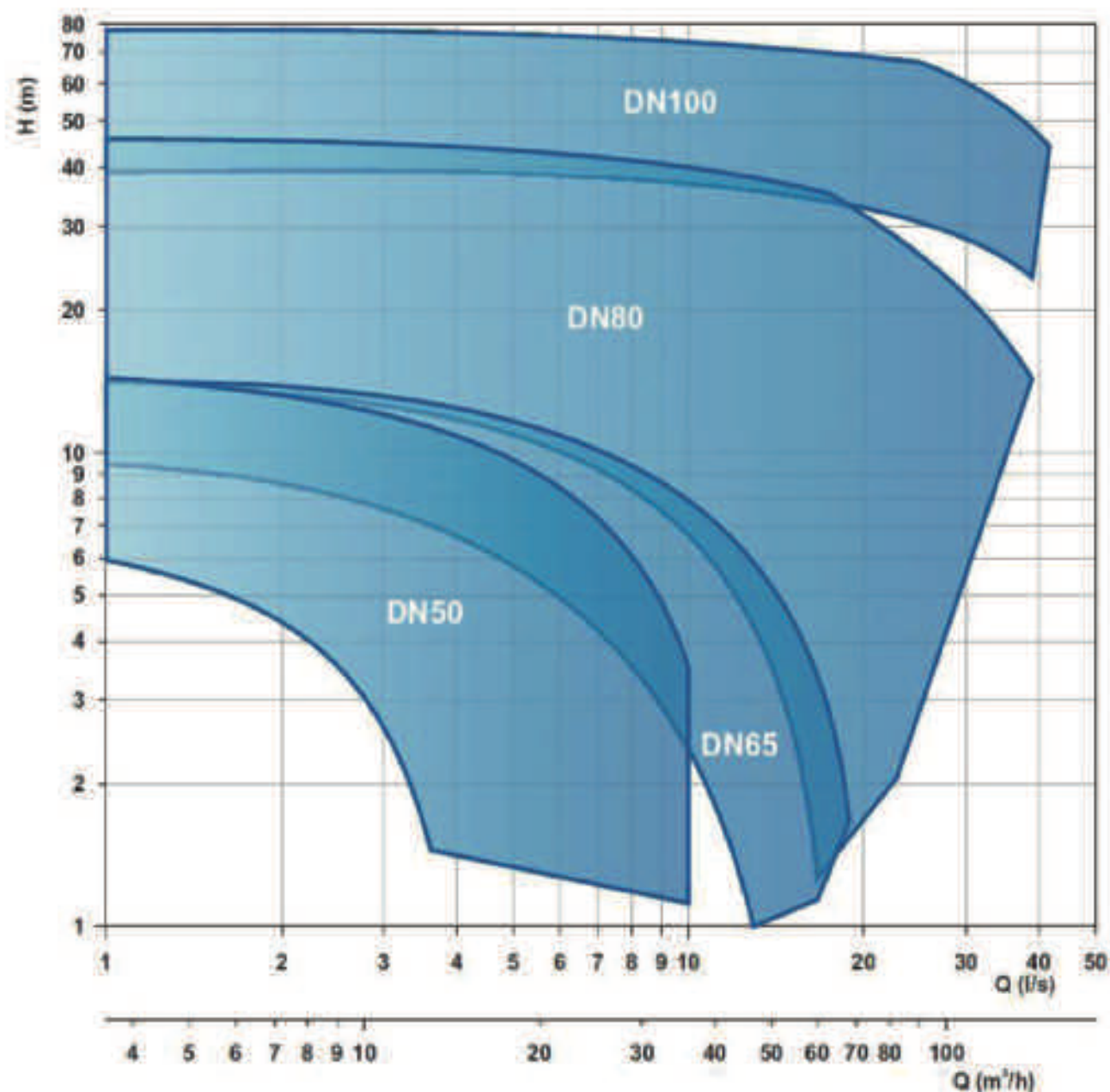
- 1 **Shafts** grinded down in ball bearings and mechanical seals seats, over-dimensioned respect to standard parameters of use.
  - 2 **Motor** asynchronous three-phase squirrel cage type, insulation class H(180°C). Dry motor, cooled by surrounding liquid. Protection degree IP 68. The motor is projected for continuous or intermittent operation, with a maximum of 15 starts per hour at regular intervals. The motor is projected for working with 5% maximum voltage unbalance between phases.
  - 3 **Ball bearings** overdimensioned, life lubricated, maintenance free.
  - 4 **Oil chamber** oil lubricates and cools the seals and emulsifies eventual water infiltrations. This electric pump has two types of seals for a perfect insulation between the electric motor and the pumped liquid. Upper seal: Ceramic/Graphite.
  - 5 **Lower seal**: mechanical, silicon carbide.
  - 6 **Impellers** are projected in order to guarantee and assure an high hydraulic efficiency and low power consumption, they have big inter-blades and diffuser free passages, minimum blades number, special blades design, especially diffusers' water-cutter blades designed to avoid filamentous materials catching.
- 1 轴深球轴承压入、机械密封座，尺寸大于标准使用参数。
- 2 异步电机三相鼠笼型，绝缘等级 H(180°C)。干电机，由周围液体冷却。防护等级 IP 68。电机用于连续或间歇运行，按固定时间间隔每小时最多启动 15 次。电机用于相间电压不平衡最大为 5% 的工作环境。
- 3 大尺寸球轴承，长效润滑，免维护。
- 4 润滑油室地润滑和冷却密封件并避免乳化水渗透。该电泵有两种类型密封件，可在电动机和泵送的液体之间完美绝缘。上部密封：陶瓷/石墨。
- 5 底部密封：机械密封，碳化硅密封。
- 6 泵轮用于保证和确保高水力效率、低功耗。泵轮有大内叶片和扩压器自由通道，最小叶片数，特殊的叶片设计，特别是扩压器的水刀叶片设计，可避免丝状材料堵塞。

# SUBMERGED SEWAGE PUMP

VQC / 铸铁污水泵

## V、Submersible Electric Pumps Vortex 3-6 Blades 2 Poles

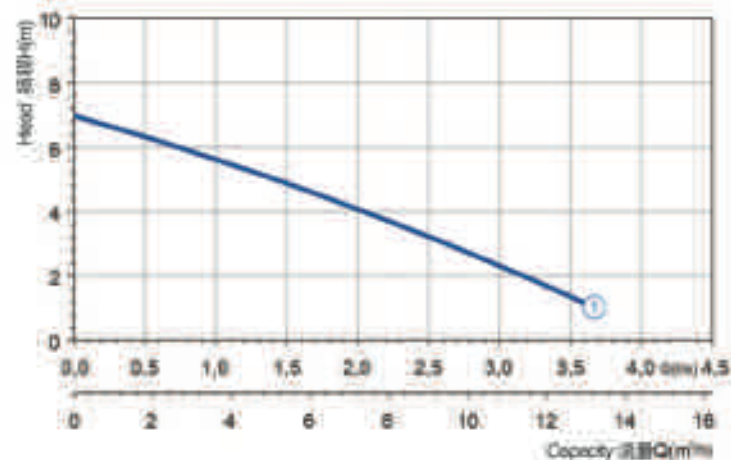
潜水涡流电泵/2极(2900rpm)/3-6叶片



# SUBMERGED SEWAGE PUMP

VQC / 铸铁污水泵

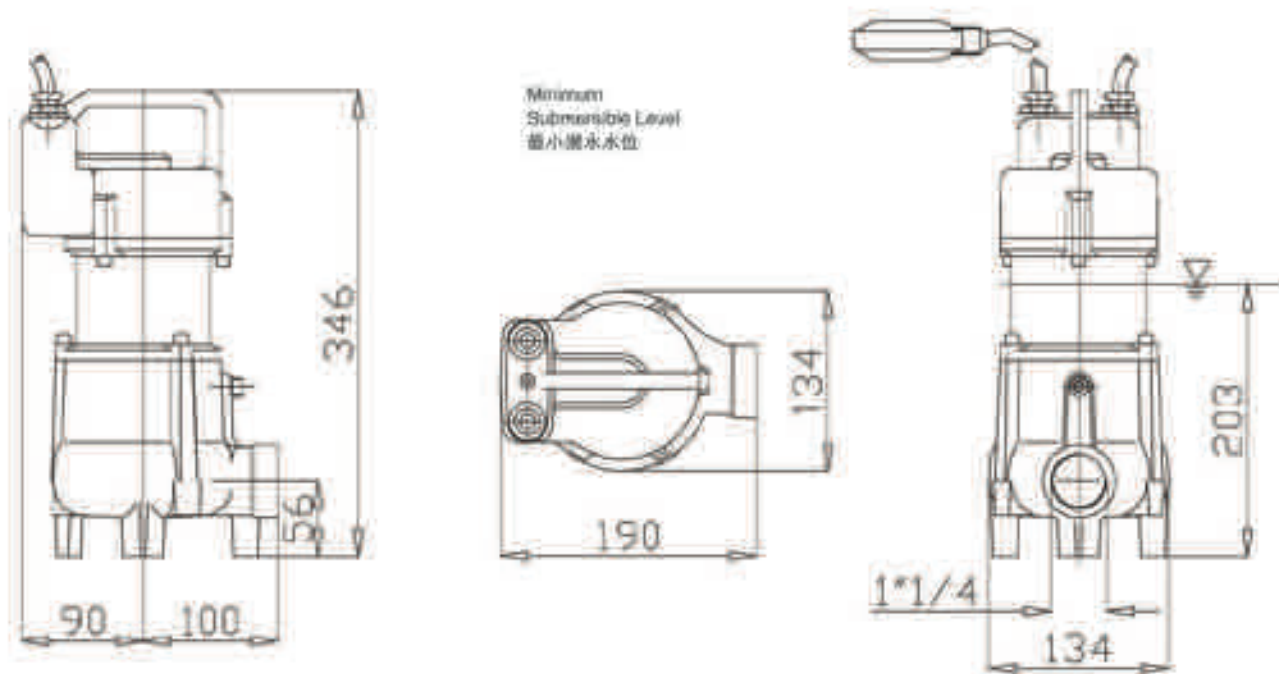
## VI、Performance Curve 性能曲线



电源	1ph 230V 50Hz
每分钟转速	2850
自由扬程 (mm)	30
排管直径 (mm)	1 1/4
最大流量 (Kg)	14

流量 (l/min)	代码	型号	电机			ATEX 认证
			额定功率P2 (kW)	额定电流I (A)	启动电流I (A)	
1	7000284	G208M6V1-D30AB1	0.5	3.2	11.8	-

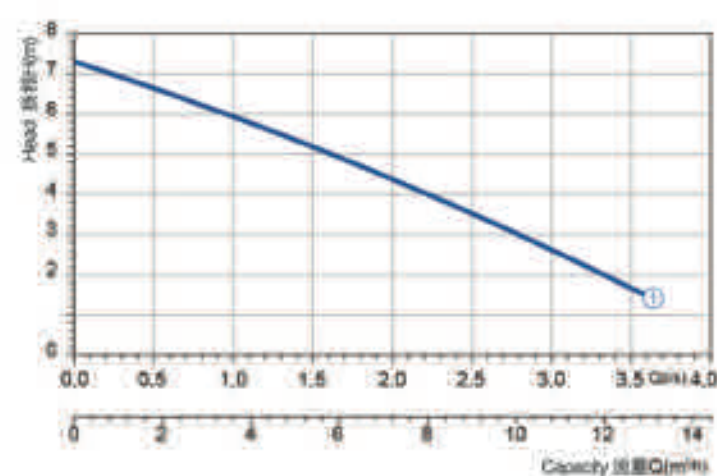
## VII、Dimensions 尺寸(mm)



# SUBMERGED SEWAGE PUMP

VQC / 铸铁污水泵

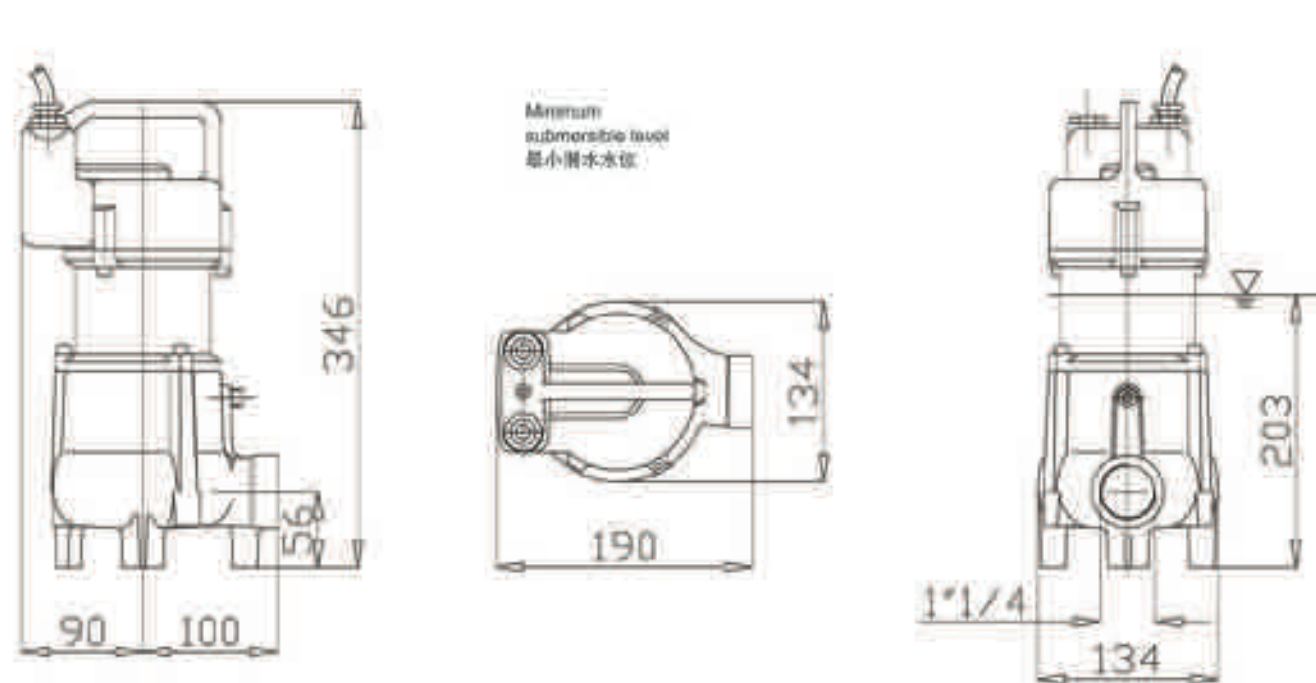
## VI、Performance Curve 性能曲线



电源	1ph 400V 50Hz
每分钟转速	2850
自由扬程 (mm)	30
排管直径 (mm)	1 1/4
最大流量 (Kg)	10

流量 (l/min)	代码	型号	电机			ATEX 认证
			额定功率P2 (kW)	额定电流I (A)	启动电流I (A)	
1	7000138	G208T6V1-D30AA0	0.6	1.2	5.4	-

## VII、Dimensions 尺寸(mm)



VQ

D

V

S

M

H

C

T

P

XD

XV

XG

XT

BQ

BV

BC

Installobot

Vx

VW

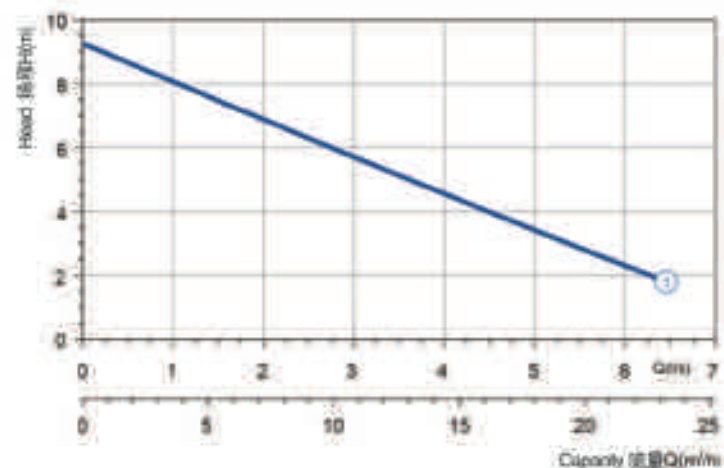
附录



# SUBMERGED SEWAGE PUMP

VQC / 铸铁污水泵

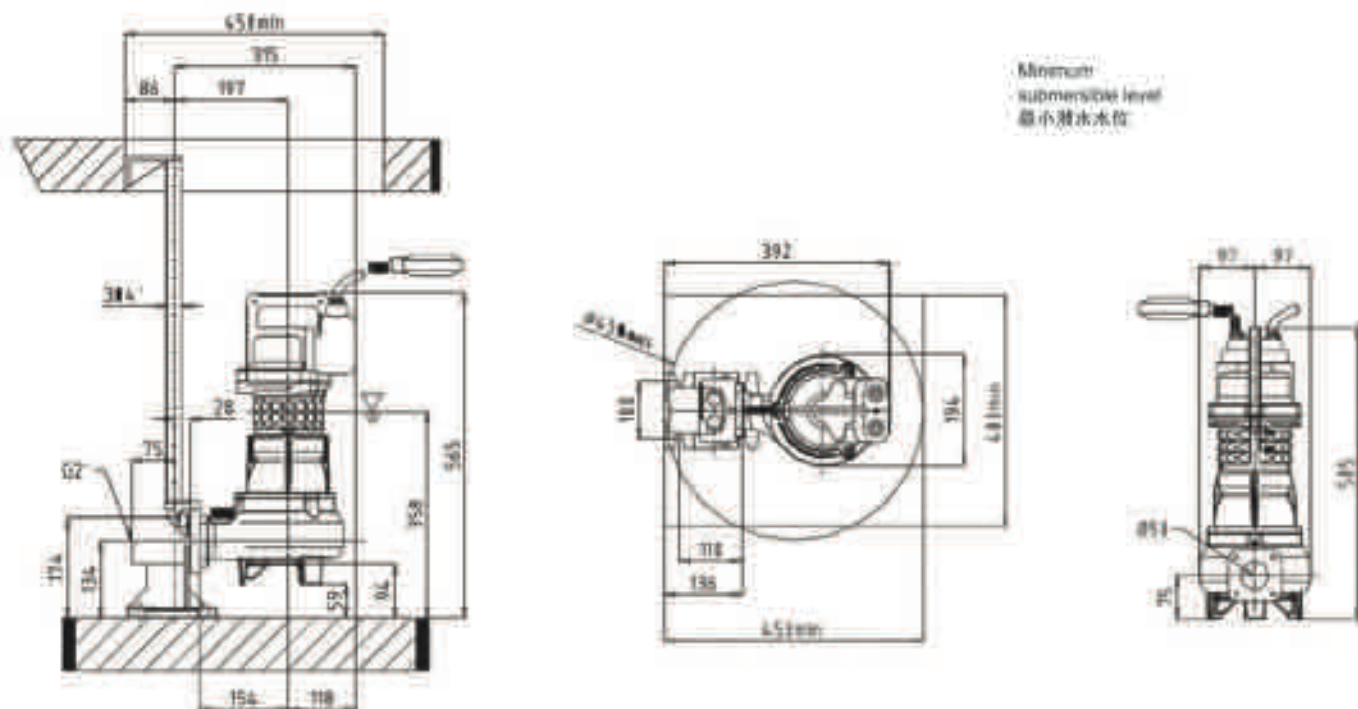
## VI、Performance Curve 性能曲线



电压	1/6 230V 50Hz
每分钟转速	2850
自由通道 (mm)	48
排管直径 (mm)	DN 50
最大流量 (Kg)	31

电压	代码	型号	额定功率P <sub>n</sub> (kW)	额定电流 I <sub>n</sub> (A)	额定电压 U <sub>n</sub> (V)	ATEX 认证号
T	7000814	G272M3V2-K48AB1	1.1	6.6	24.4	-

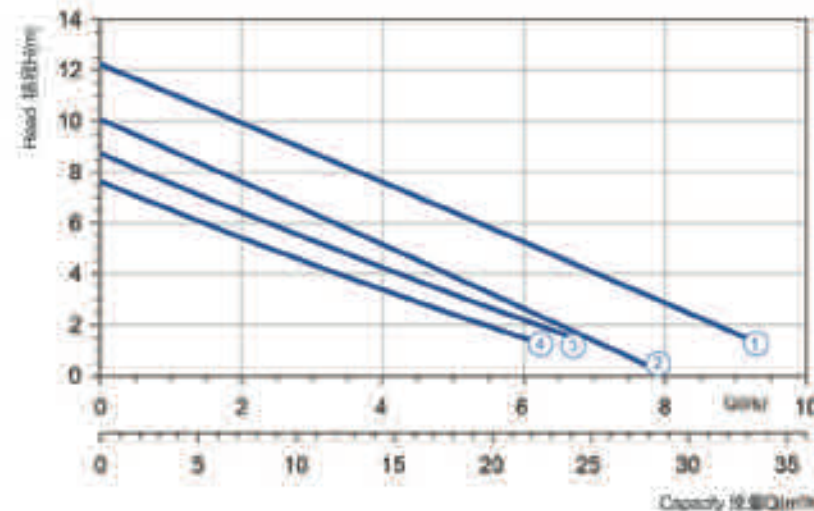
## VII、Dimensions 尺寸(mm)



# SUBMERGED SEWAGE PUMP

VQC / 铸铁污水泵

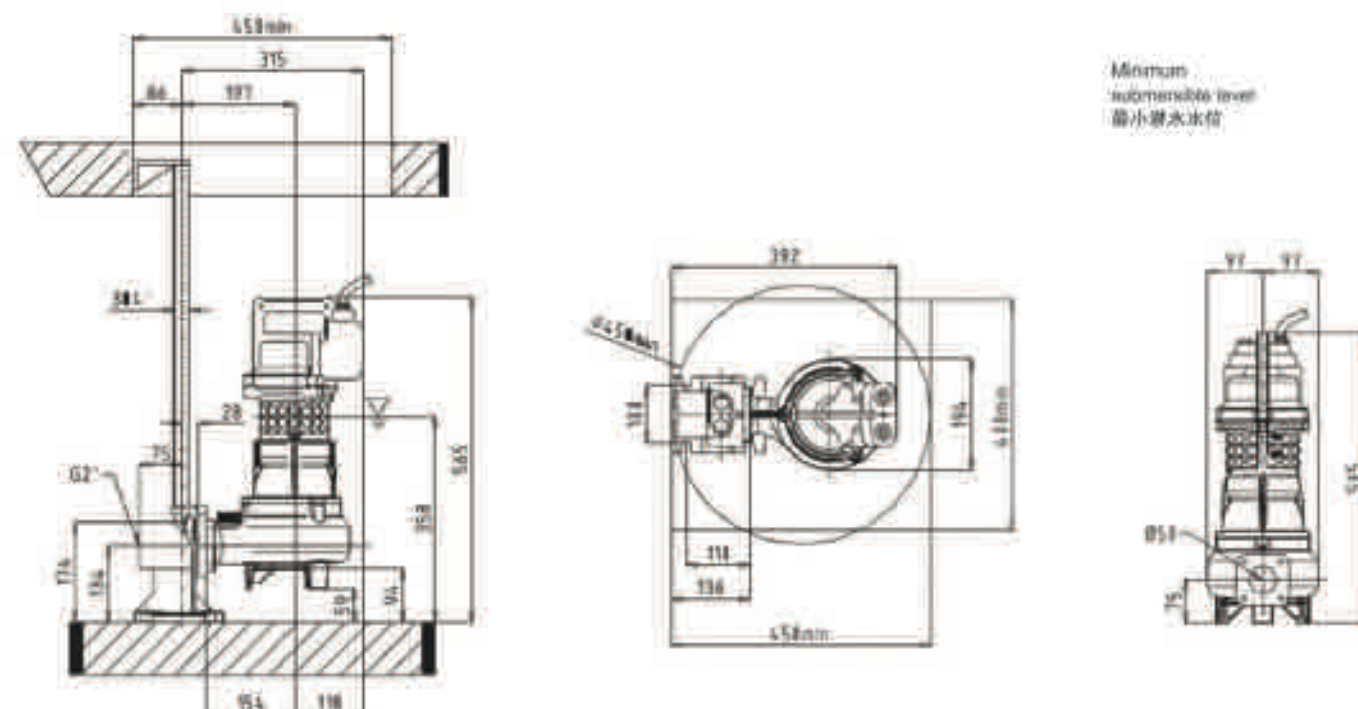
## VI、Performance Curve 性能曲线



电压	1/6 230V 50Hz
每分钟转速	2850
自由通道 (mm)	48
排管直径 (mm)	DN 50
最大流量 (Kg)	31

电压	代码	型号	额定功率P <sub>n</sub> (kW)	额定电流 I <sub>n</sub> (A)	额定电压 U <sub>n</sub> (V)	ATEX 认证号
1	7000884	G272T3V1-K48AA0	1.9	3.5	20.7	-
2	7009010	G272T3V2-K48AA0	1.4	2.7	15.2	-
3	7008531	G272T3V6-K48AA0	1.1	2.4	11.8	-
4	7002943	G272T3V5-K48AA0	1.1	2.4	11.8	-

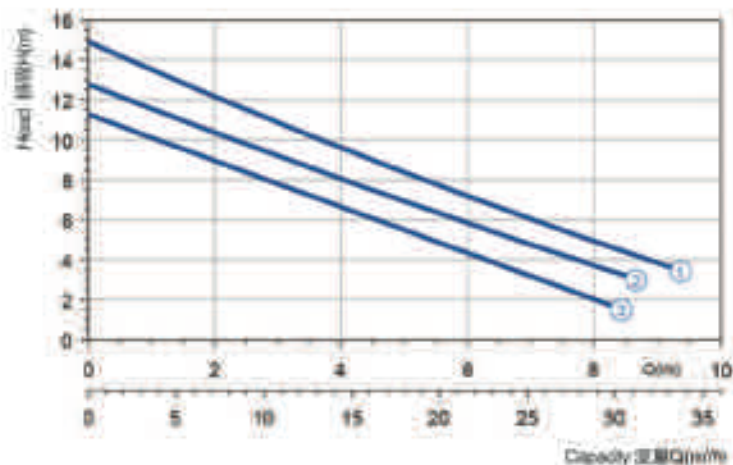
## VII、Dimensions 尺寸(mm)



# SUBMERGED SEWAGE PUMP

VQC / 铸铁污水泵

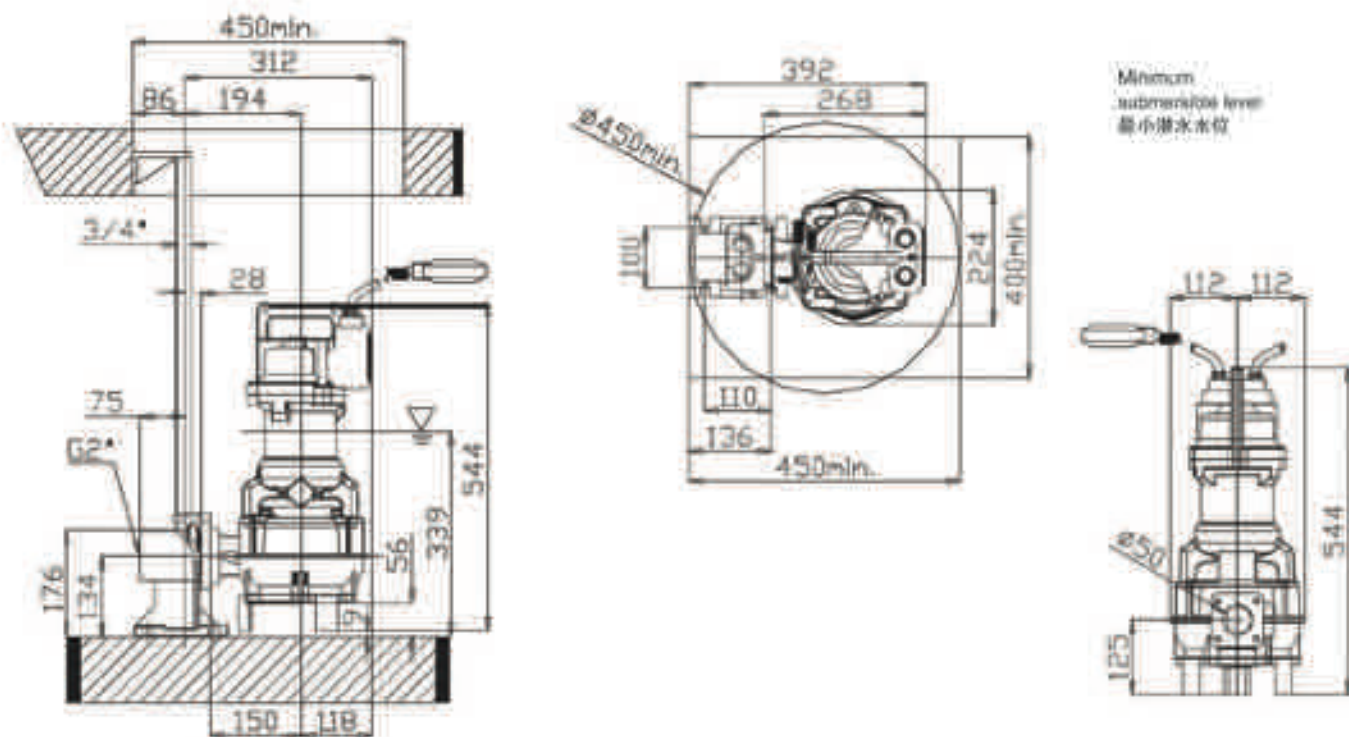
## VI、Performance Curve 性能曲线



电压	1/1h 230V 50Hz
每分钟转速	2850
自由流量 (mm)	50
排管直径 (mm)	DN 50
最大重量 (Kg)	43

电压	代码	型号	额定功率P <sub>N</sub> (kW)	额定电流 I <sub>N</sub> (A)	启动电流 I <sub>s</sub> (A)	ATEX 认证号
1	7005432	G271M3V1-K50AB1	1.9	11.4	62.7	7005618
2	7006436	G271M3V2-K50AB1	1.5	9	53.3	7006438
3	7006437	G271M3V3-K50AB1	1.5	9	53.3	7006443

## VII、Dimensions 尺寸(mm)

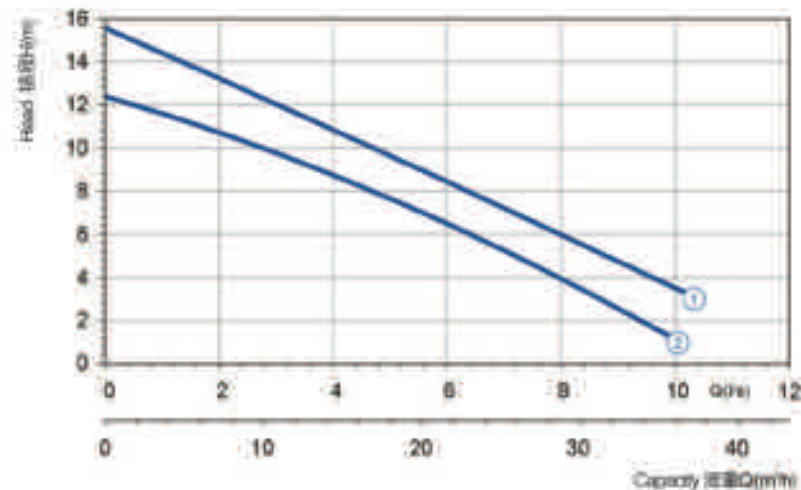


Minimum submersion level  
最小潜水水位

# SUBMERGED SEWAGE PUMP

VQC / 铸铁污水泵

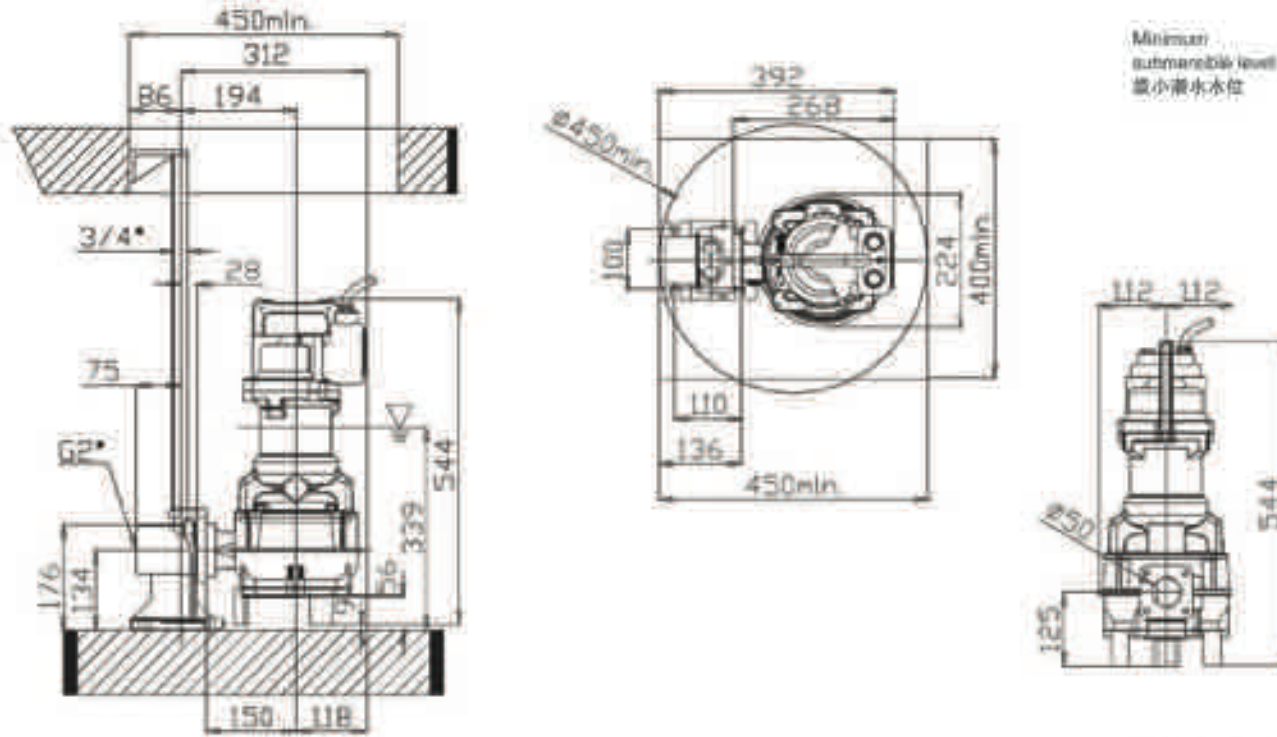
## VI、Performance Curve 性能曲线



电压	1/1h 230V 50Hz
每分钟转速	2850
自由流量 (mm)	50
排管直径 (mm)	DN 50
最大重量 (Kg)	43

电压	代码	型号	额定功率P <sub>N</sub> (kW)	额定电流 I <sub>N</sub> (A)	启动电流 I <sub>s</sub> (A)	ATEX 认证号
1	7005418	G271T3V1-K50AA0	2.4	4.5	25.0	7005697
2	7005898	G271T3V2-K50AA0	1.8	3.5	17.2	7005433

## VII、Dimensions 尺寸(mm)



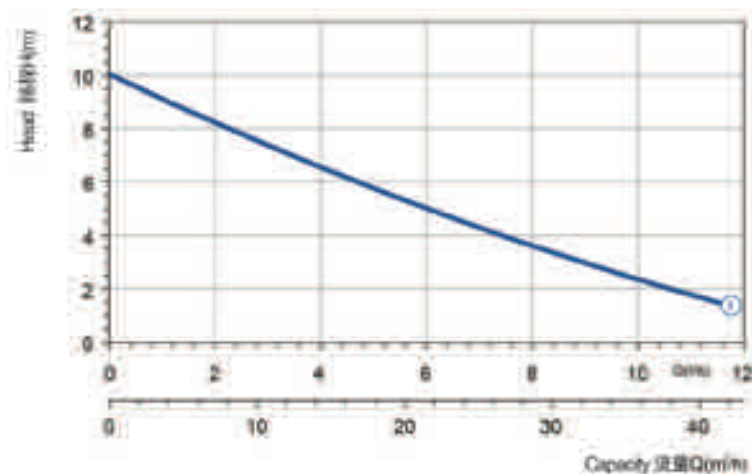
Minimum submersion level  
最小潜水水位

- VG
- D
- V
- S
- M
- H
- C
- T
- P
- XD
- XV
- XG
- XT
- BQ
- BV
- BC
- Installation
- Vx
- VW
- 附录

# SUBMERGED SEWAGE PUMP

VQC / 铸铁污水泵

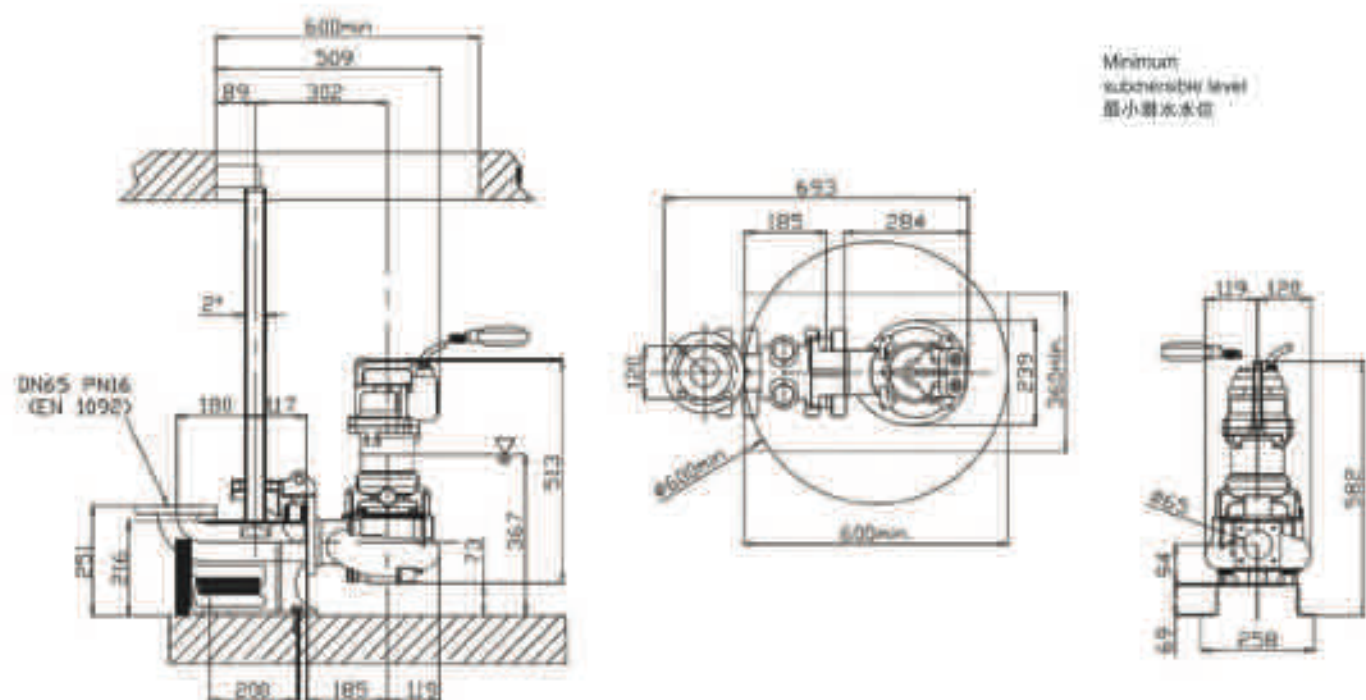
## VI、Performance Curve 性能曲线



电压	1yn 230V-50Hz
每分钟转速	2850
自由扬程 (mm)	65
排管直径 (mm)	DN 65
最大流量 (Kg)	44

电压	1yn 230V-50Hz	电机			ATEX (L1/II)
每分钟转速	2850	额定功率P2 (kW)	额定电流I(A)	启动电流I(A)	
1	700084E G271MRV3-1.65AA1	1.5	4	33.3	7000847

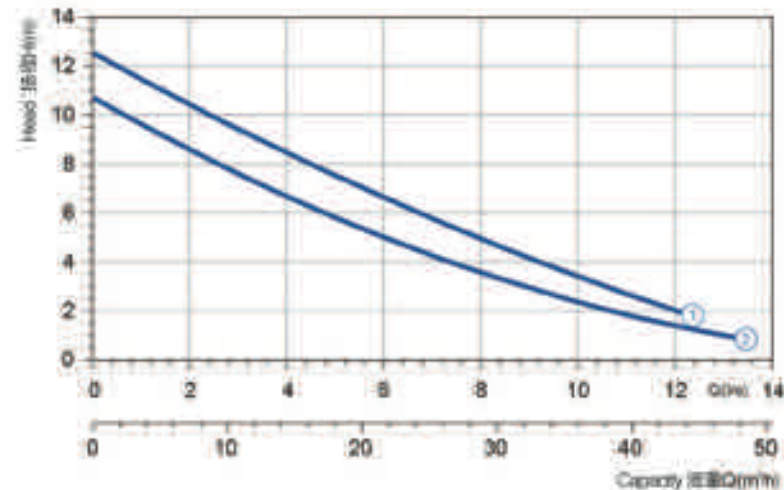
## VII、Dimensions 尺寸(mm)



# SUBMERGED SEWAGE PUMP

VQC / 铸铁污水泵

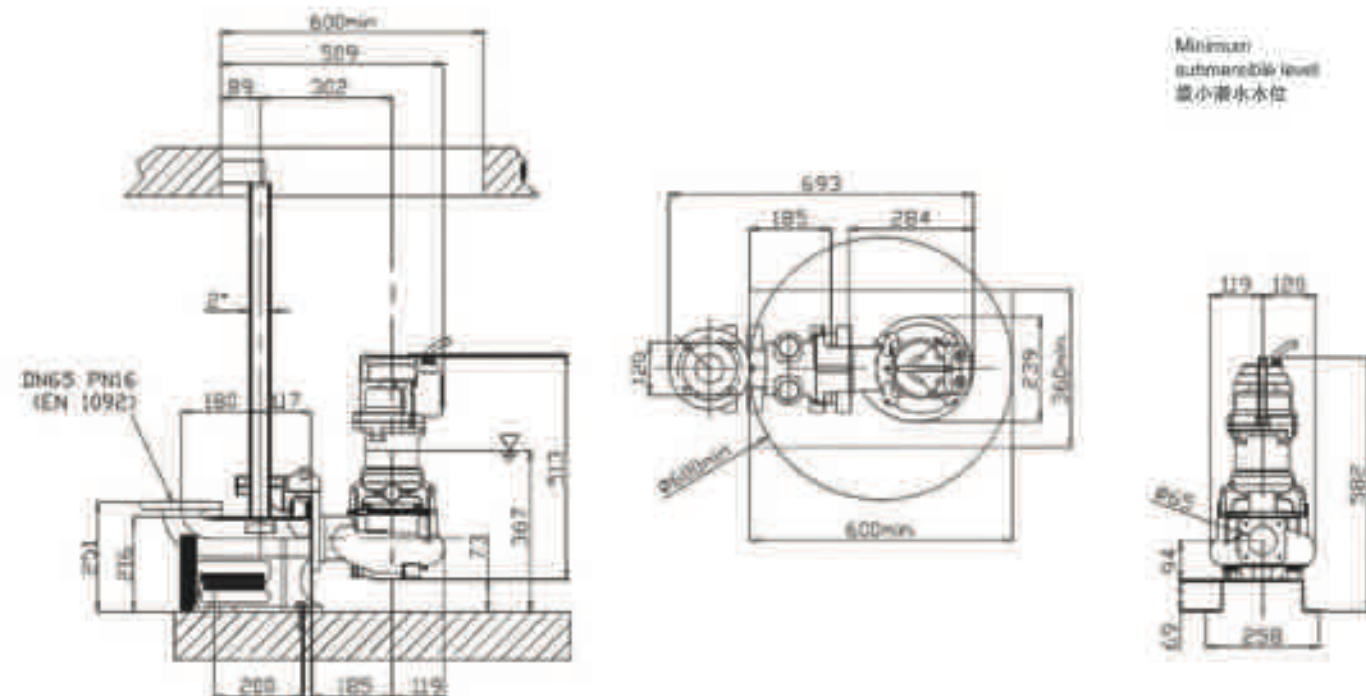
## VI、Performance Curve 性能曲线



电压	1yn 230V-50Hz
每分钟转速	2850
自由扬程 (mm)	65
排管直径 (mm)	DN 65
最大流量 (Kg)	44

电压	1yn 230V-50Hz	电机			ATEX (L1/II)
每分钟转速	2850	额定功率P2 (kW)	额定电流I(A)	启动电流I(A)	
1	7003101 G271TRV2-1.65AA0	2.1	3.9	23	7000403
2	7000654 G271TRV3-1.65AA0	1.8	3.5	17.2	7000R19

## VII、Dimensions 尺寸(mm)

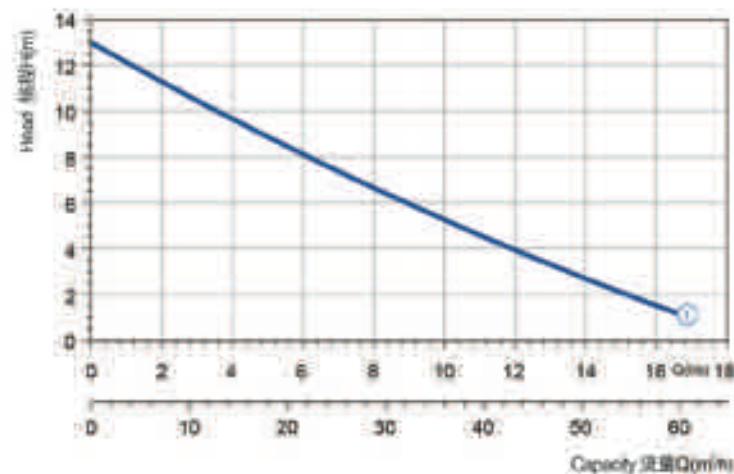


- VG
- D
- V
- S
- M
- H
- C
- T
- P
- XD
- XV
- XC
- XT
- BQ
- BV
- BC
- Installation
- Vx
- VW
- 附录

# SUBMERGED SEWAGE PUMP

VQC / 铸铁污水泵

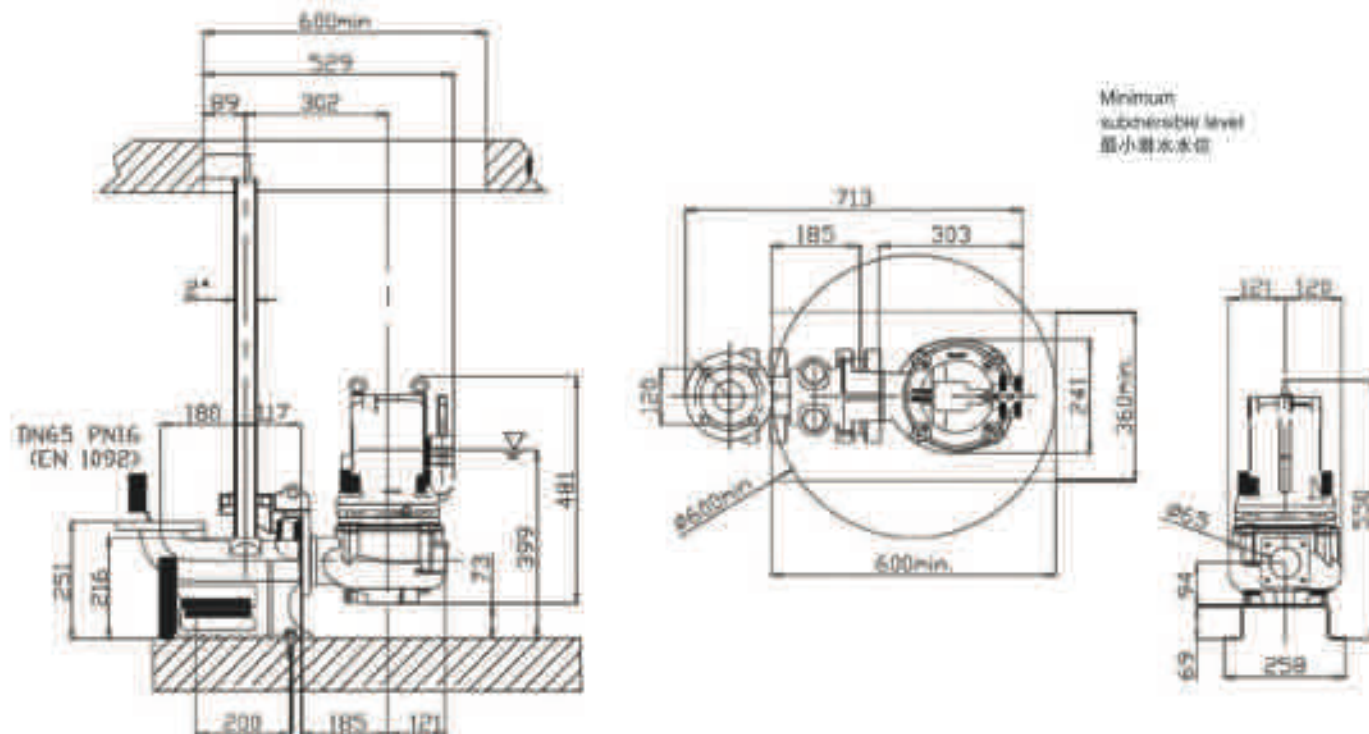
## VI、Performance Curve 性能曲线



电压	50V-400V 50Hz
每分钟转速	2850
自由扬程 (mm)	65
排管直径 (mm)	DN 65
最大流量 (Kg)	56

电压	50V-400V 50Hz	电机			ATEX 认证
每分钟转速	2850	额定功率P2 (kW)	额定电流I1 (A)	额定电流I2 (A)	
1	7005071 G209T6V2-L65AA0	3.1	5.8	34.2	7006842

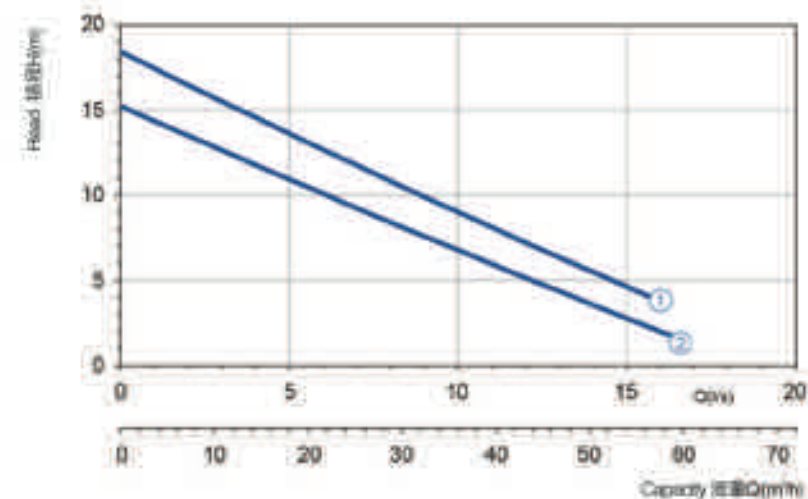
## VII、Dimensions 尺寸(mm)



# SUBMERGED SEWAGE PUMP

VQC / 铸铁污水泵

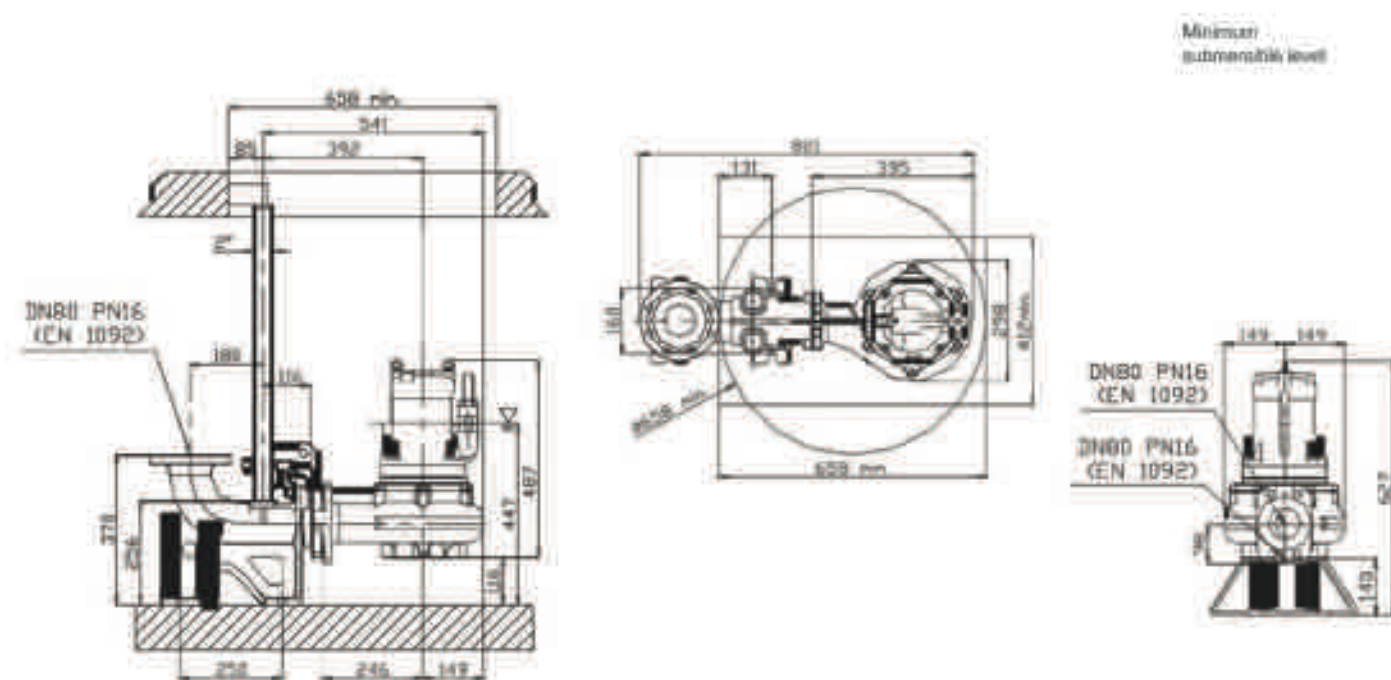
## VI、Performance Curve 性能曲线



电压	50V-400V 50Hz
每分钟转速	2850
自由扬程 (mm)	50
排管直径 (mm)	DN 80
最大流量 (Kg)	62

电压	50V-400V 50Hz	电机			ATEX 认证
每分钟转速	2850	额定功率P2 (kW)	额定电流I1 (A)	额定电流I2 (A)	
1	700249E G209T3V1-M50AA0	3.0	7.2	42.5	7002807
2	700926D G209T3V2-M50AA0	3.1	5.8	34.2	7006830

## VII、Dimensions 尺寸(mm)

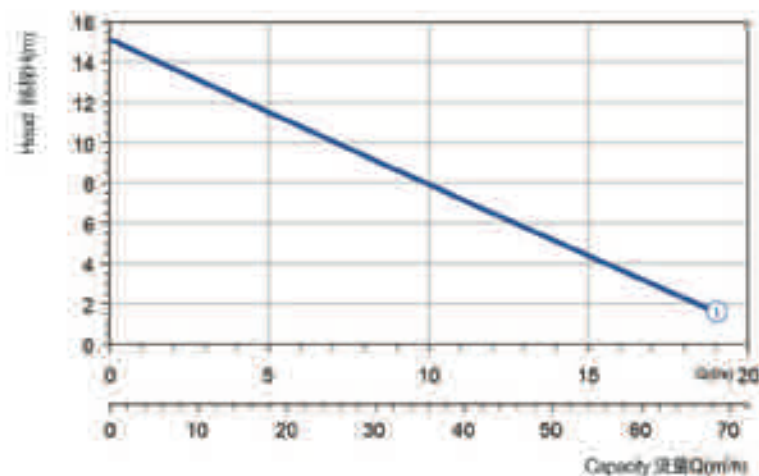


- VG
- D
- V
- S
- M
- H
- C
- T
- P
- XD
- XV
- XC
- XT
- BQ
- BV
- BC
- Installation
- VX
- VW
- 附录

# SUBMERGED SEWAGE PUMP

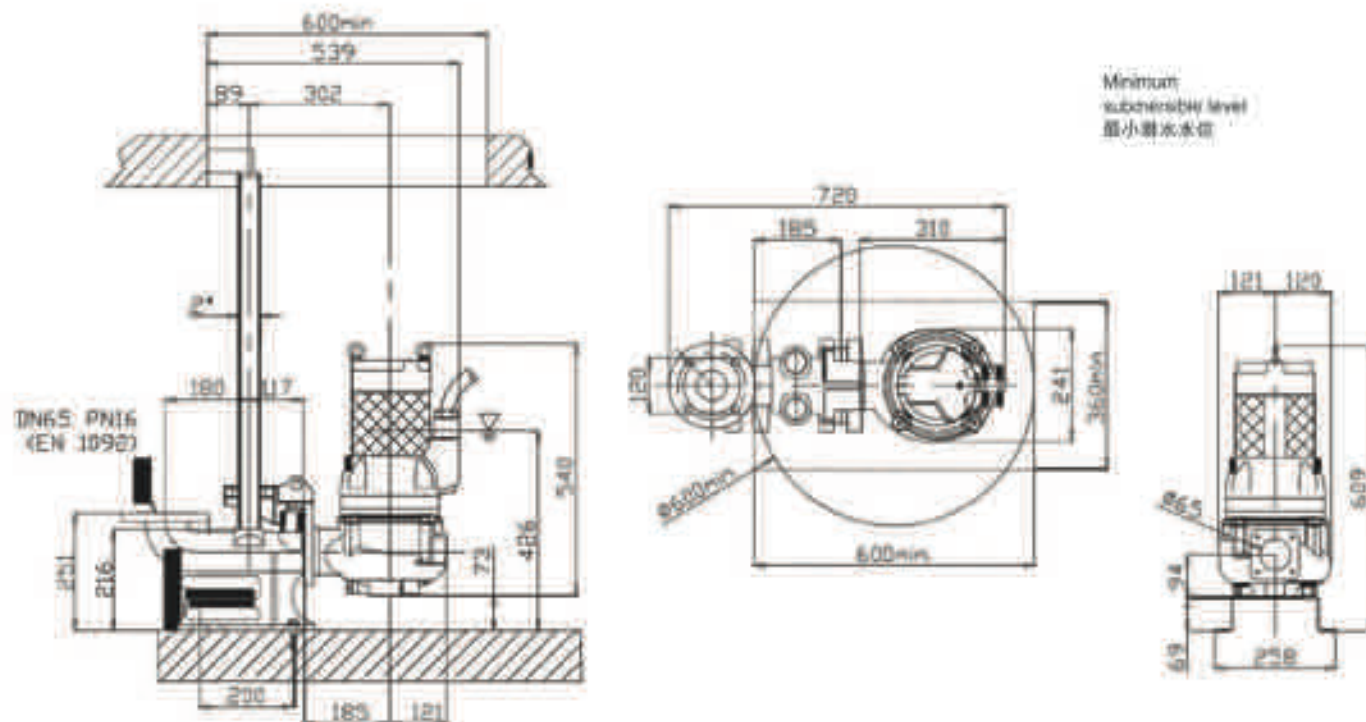
VQC / 铸铁污水泵

## VI、Performance Curve 性能曲线



电压	3ph 400/690V 50Hz	电压	电压			ATEX 认证	
每分钟转速	2850	系列号 / 代码	型号	额定功率P2 (kW)	额定电流I(A)	额定电压U(A)	ATEX 认证号
自由流量 (mm)	65	1	700569B G210R3V2-L65AA2	4.2	7.7	45.4	7000840
排管直径 (mm)	DN 65						
最大重量 (Kg)	64						

## VII、Dimensions 尺寸(mm)

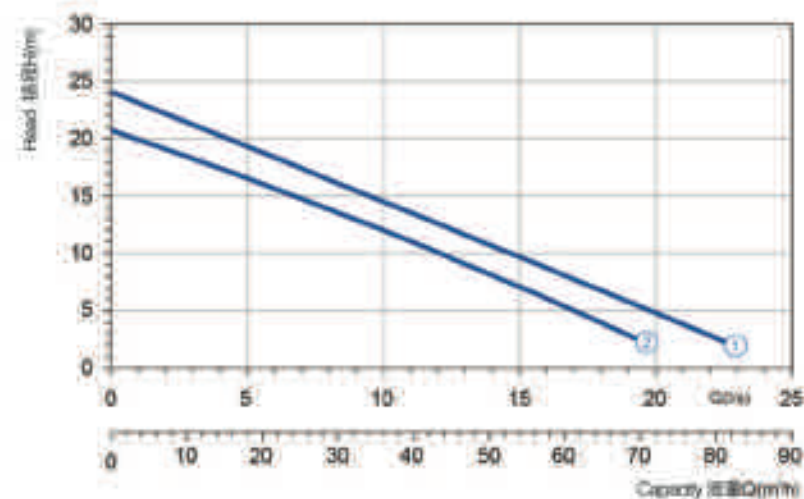


Minimum submersible level  
最小潜水水位

# SUBMERGED SEWAGE PUMP

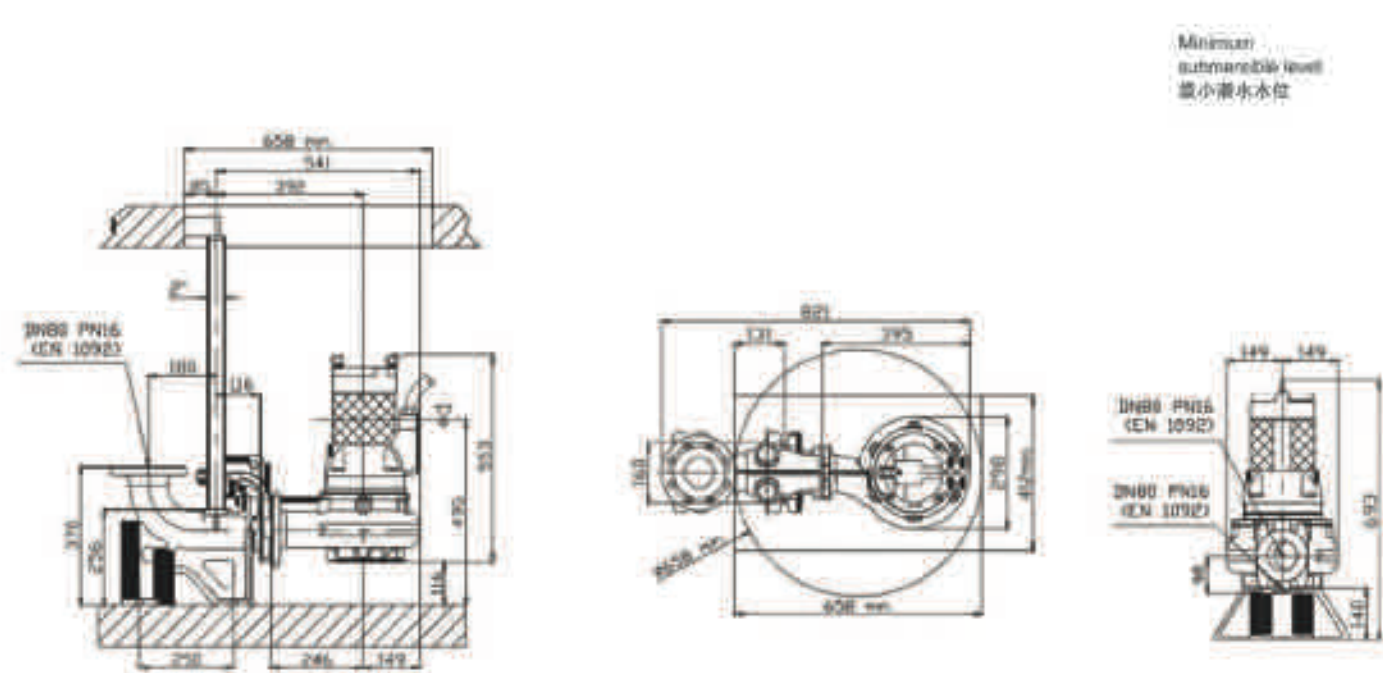
VQC / 铸铁污水泵

## VI、Performance Curve 性能曲线



电压	3ph 400/690V 50Hz	电压	电压			ATEX 认证	
每分钟转速	2850	系列号 / 代码	型号	额定功率P2 (kW)	额定电流I(A)	额定电压U(A)	ATEX 认证号
自由流量 (mm)	50	1	7003212 G210R3V1-M50AA2	3.7	10.4	51.4	7002799
排管直径 (mm)	DN 50	2	7003213 G210R3V2-M50AA2	5	9.1	53.7	7002800
最大重量 (Kg)	70						

## VII、Dimensions 尺寸(mm)

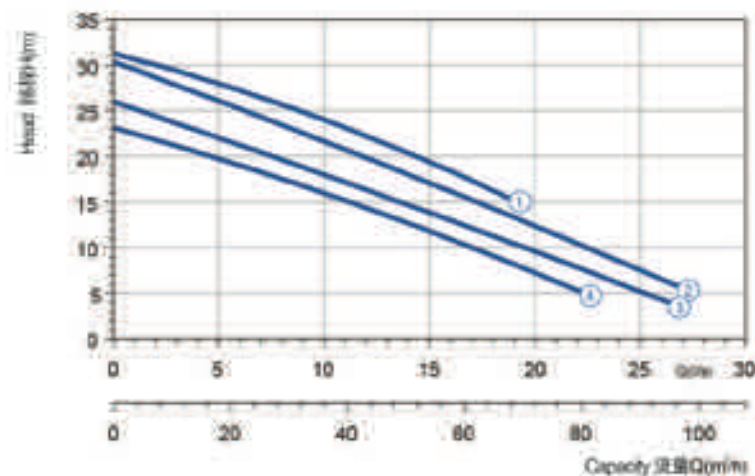


Minimum submersible level  
最小潜水水位

# SUBMERGED SEWAGE PUMP

VQC / 铸铁污水泵

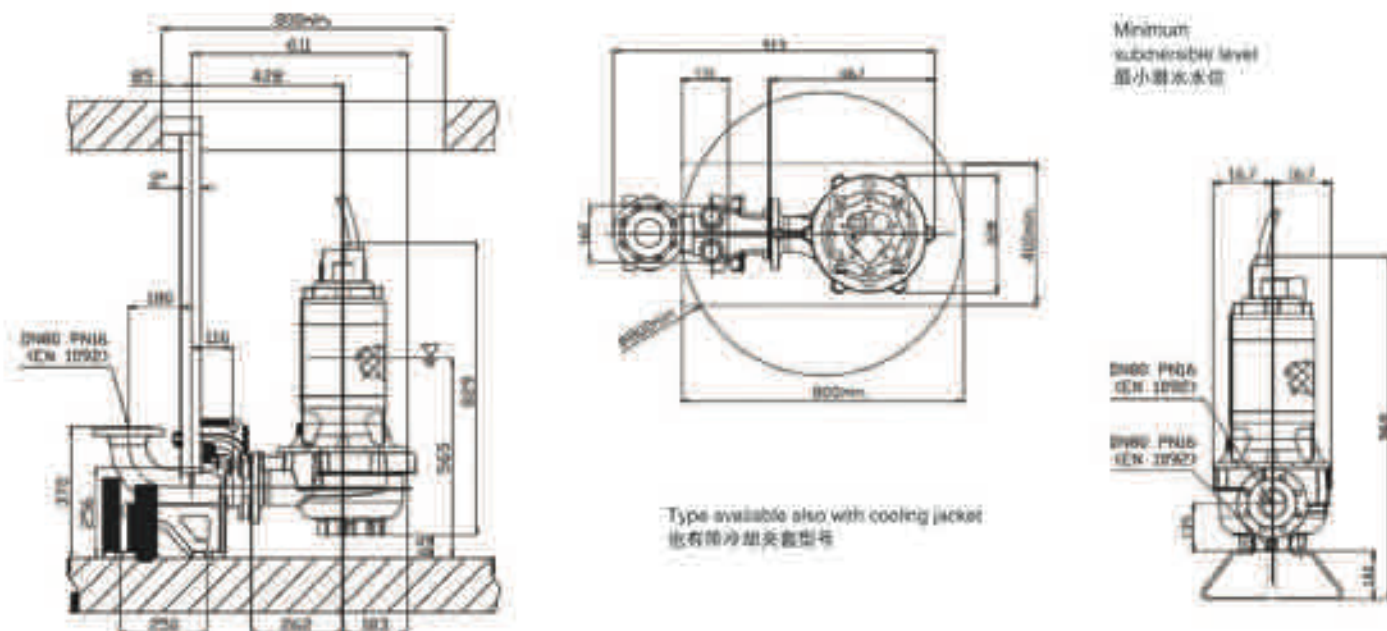
## VI、Performance Curve 性能曲线



电源	50Hz 400/415V 50Hz
每分钟转速	2850
自由扬程 [mm]	70
排管直径 [mm]	DN 60
最大重量 [kg]	165

流量 (l/s)	功率 (kW)	电压 (V)	电流 (A)	ATEX 认证		
1	7001327	G211R3V8-M70SA2	10	18	106	7001384
2	7008666	G211R3V1-M70SA2	8	16.2	95.6	7006612
3	7003233	G211R3V2-M70SA2	8.2	14.7	86.7	7006120
4	7000741	G211R3V3-M70AA2	8.5	11.8	69.6	7001688

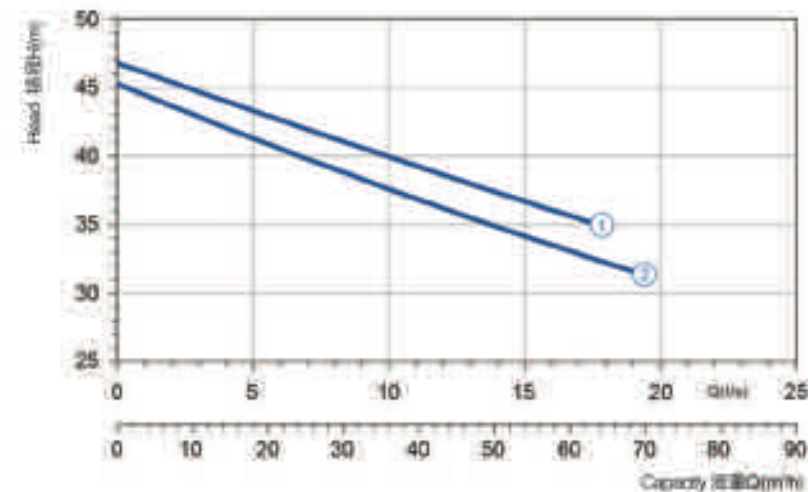
## VII、Dimensions 尺寸(mm)



# SUBMERGED SEWAGE PUMP

VQC / 铸铁污水泵

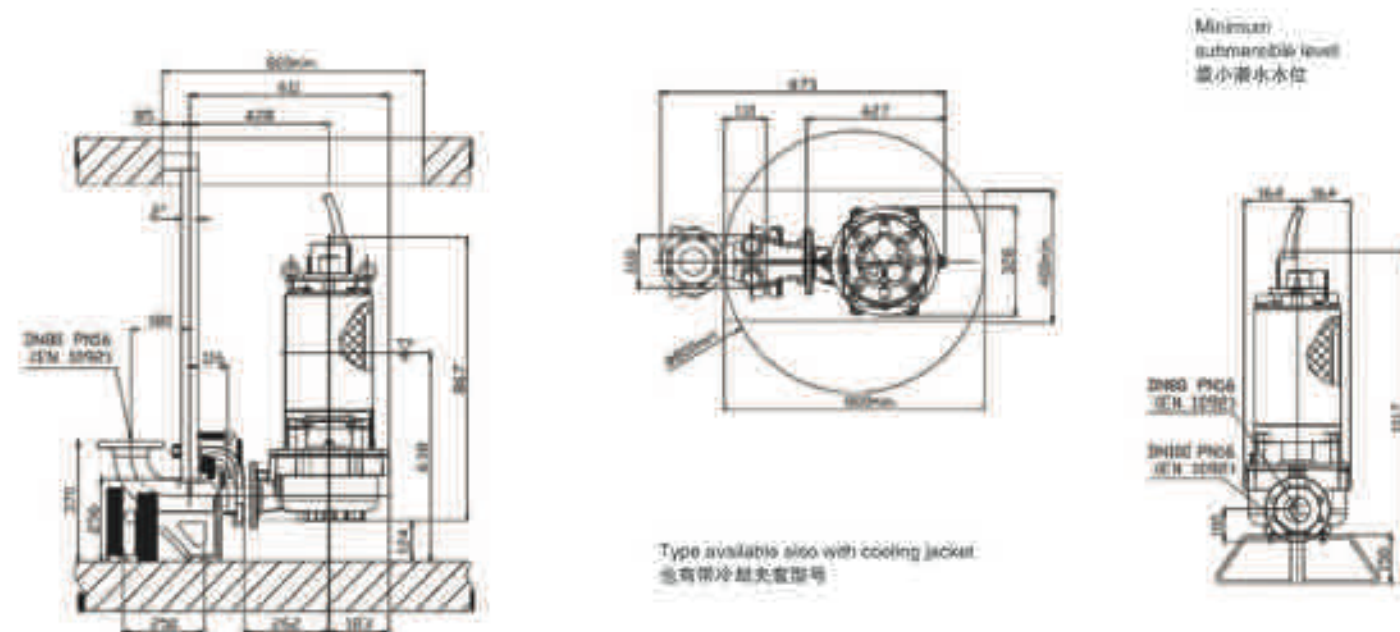
## VI、Performance Curve 性能曲线



电源	50Hz 400/415V 50Hz
每分钟转速	2850
自由扬程 [mm]	40x50
排管直径 [mm]	DN 50
最大重量 [kg]	196

流量 (l/s)	功率 (kW)	电压 (V)	电流 (A)	ATEX 认证		
1	7006428	G213R6V1-M50AA2	16.2	32.6	192	7007469
2	7006429	G213R6V2-M50AA2	16.6	29.8	176	7007398

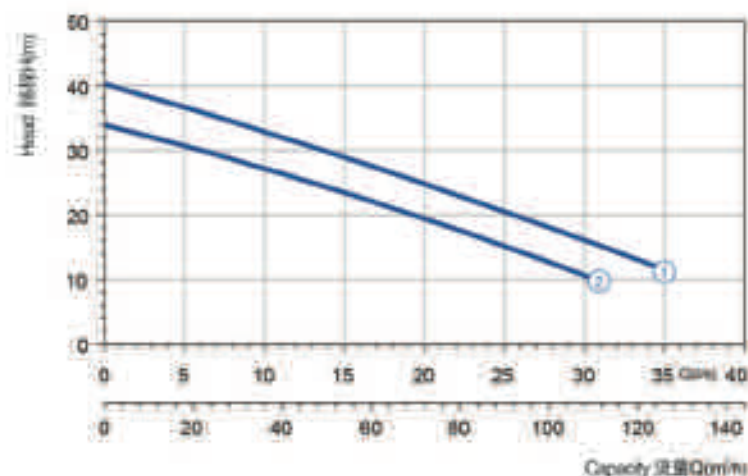
## VII、Dimensions 尺寸(mm)



# SUBMERGED SEWAGE PUMP

VQC / 铸铁污水泵

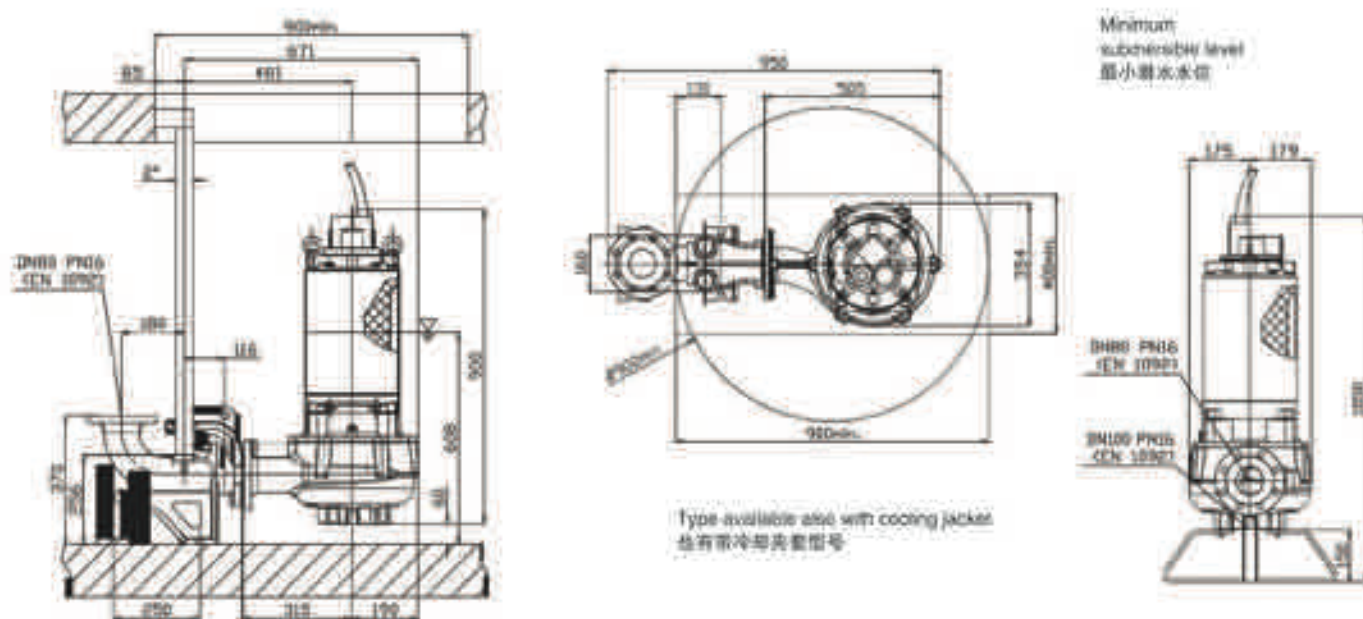
## VI、Performance Curve 性能曲线



电压	3x 400/230V/50Hz
每分钟转速	2850
自由流量 (mm)	80
排管直径 (mm)	DN 80
最大重量 (Kg)	193

电压V	代码	型号	额定功率P2 (kW)	额定电流 (A)	启动电流 (A)	ATEX 认证号
1	7006110	G21SR3V4-M80AA2	18.2	32.8	192	7007473
2	7006112	G21SR3V5-M80AA2	14.9	28.8	158	7007472

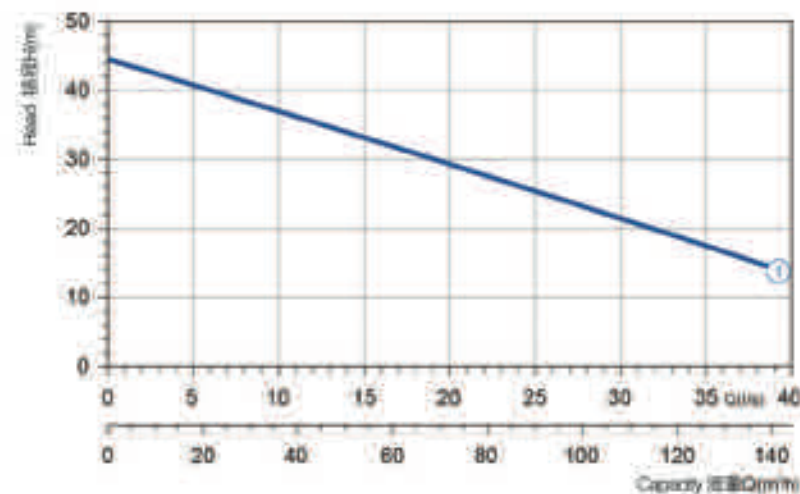
## VII、Dimensions 尺寸(mm)



# SUBMERGED SEWAGE PUMP

VQC / 铸铁污水泵

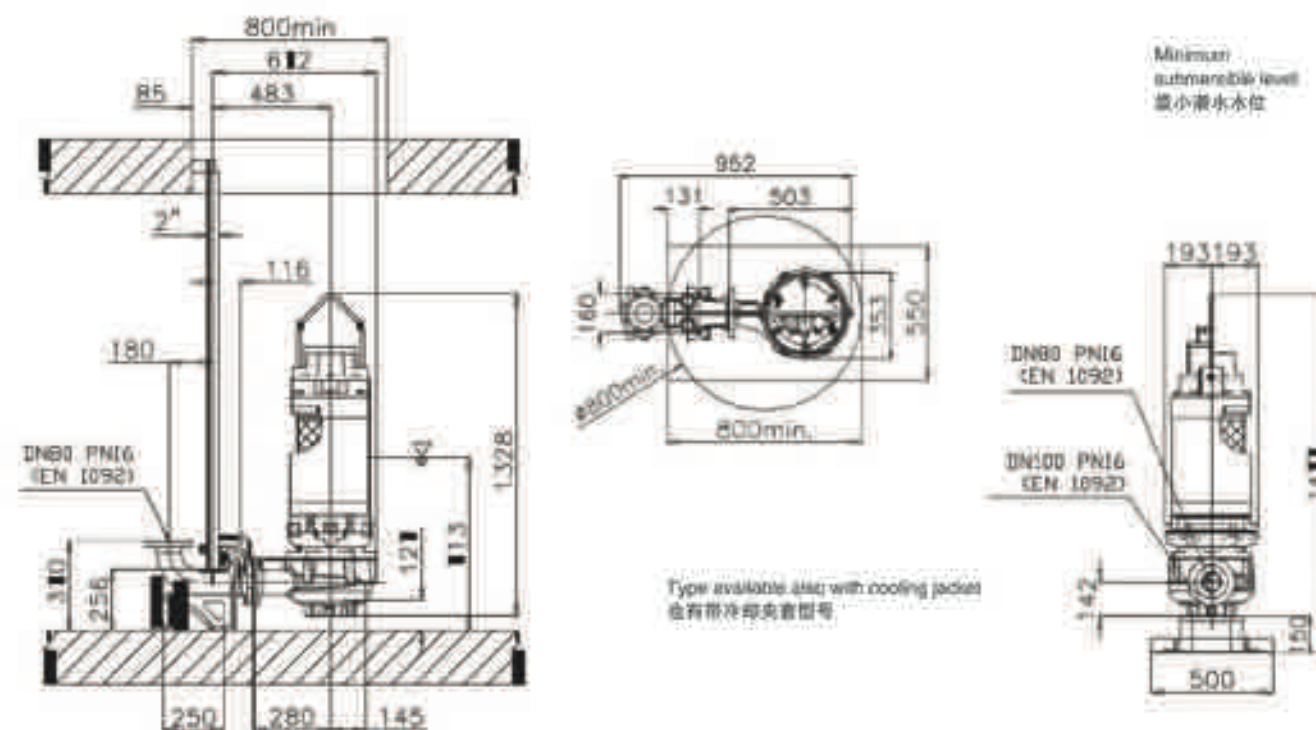
## VI、Performance Curve 性能曲线



电压	3x 400/230V/50Hz
每分钟转速	2850
自由流量 (mm)	80
排管直径 (mm)	DN 80
最大重量 (Kg)	320

电压V	代码	型号	额定功率P2 (kW)	额定电流 (A)	启动电流 (A)	ATEX 认证号
1	7006850	G21SR3V1-M80AA2	22.4	38.8	230	7008136

## VII、Dimensions 尺寸(mm)

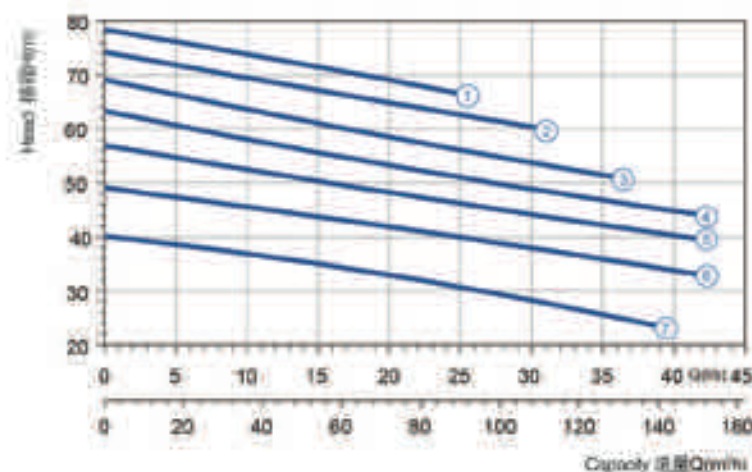


- VG
- D
- V
- S
- M
- H
- C
- T
- P
- XD
- XV
- XG
- XT
- BQ
- BV
- BC
- Installation
- Vx
- VW
- 附录

# SUBMERGED SEWAGE PUMP

VQC / 铸铁污水泵

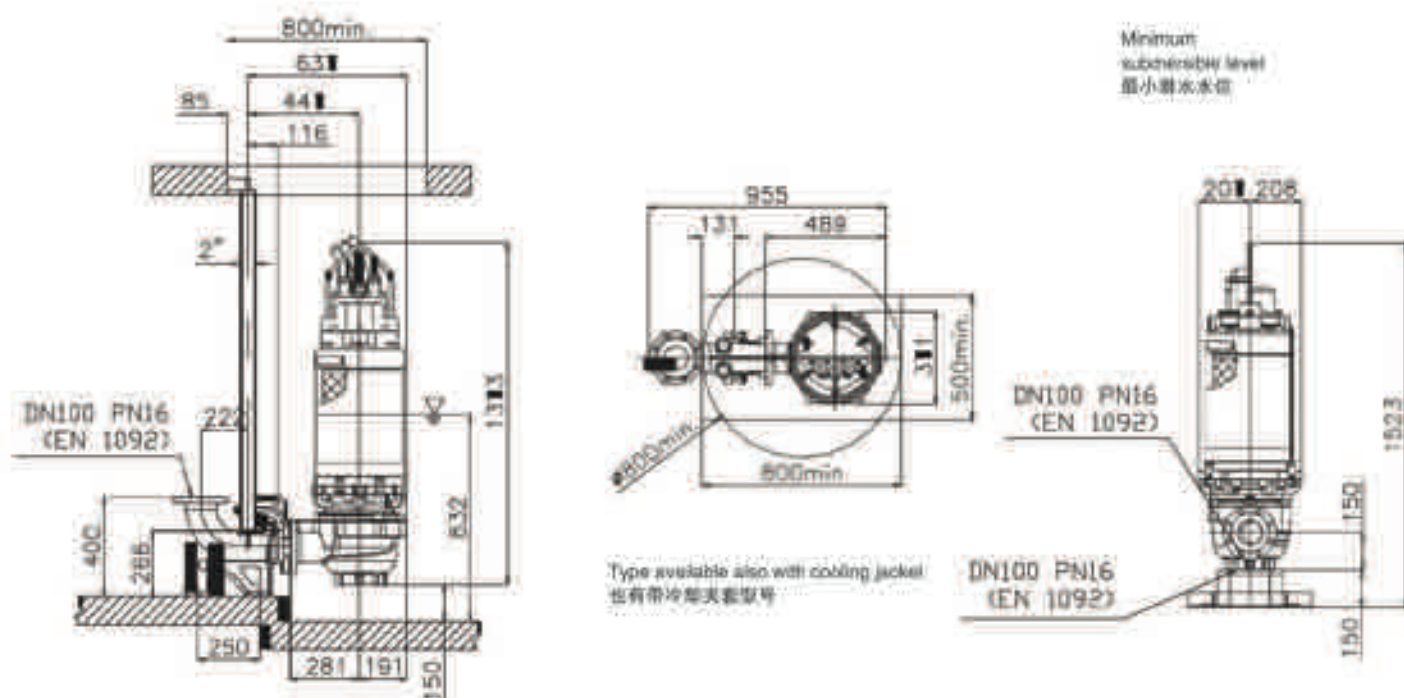
## VI、Performance Curve 性能曲线



电压	3~400V/50/60Hz
每分钟转速	2850
自由扬程 (mm)	85
排量直径 (mm)	DN 100
最大重量 (kg)	410

流量	功率	电压	ATEX 认证
额定功率 (kW)	额定电压 (A)	额定电压 (A)	
1 7001891 G218R3V1-P86AA2	52	60.1	53E 7005975
2 7000926 G218R3V2-P86AA2	54	63.5	55E 7005858
3 7001055 G218R3V4-P86AA2	52	60.1	53E 7002938
4 7001011 G218R3V3-P86AA2	52	60.1	53E 7001667
5 7001120 G218R3V6-P86AA2	45	78.3	46E 7003048
6 7000941 G218R3V7-P86AA2	40.2	71	41E 7004758
7 7000935 G218R3V8-P86AA2	35	61.8	36E 7003299

## VII、Dimensions 尺寸(mm)

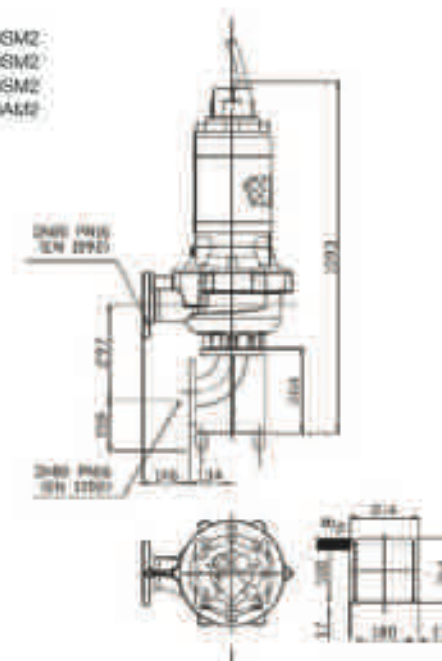


# SUBMERGED SEWAGE PUMP

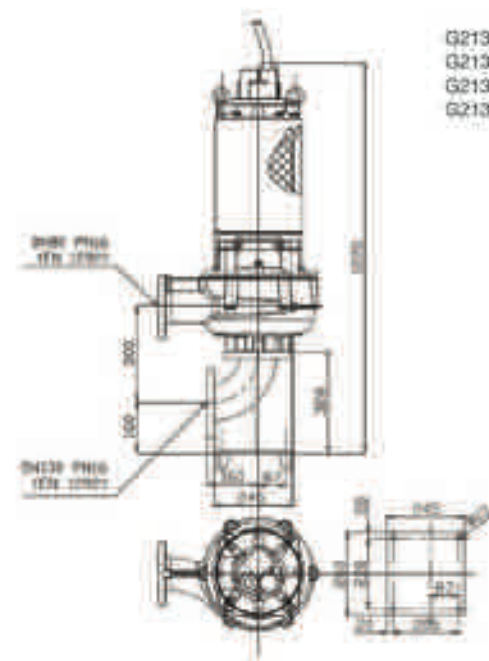
VQC / 铸铁污水泵

## VII、Dry Pit Installation 干坑安装

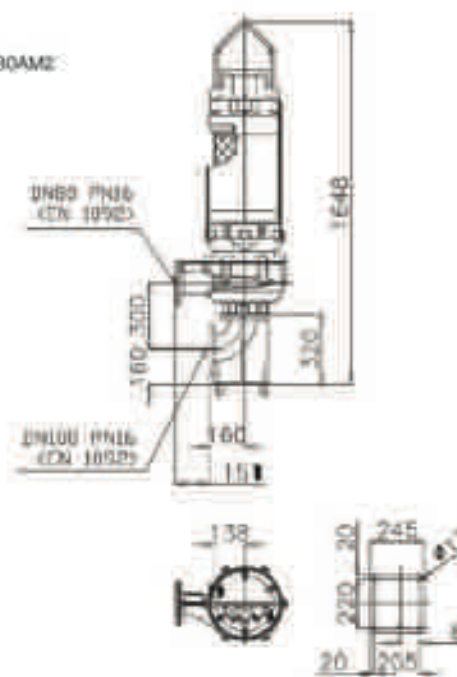
G211R3V8-M70SM2  
G211R3V1-M70SM2  
G211R3V2-M70SM2  
G211R3V3-M70AM2



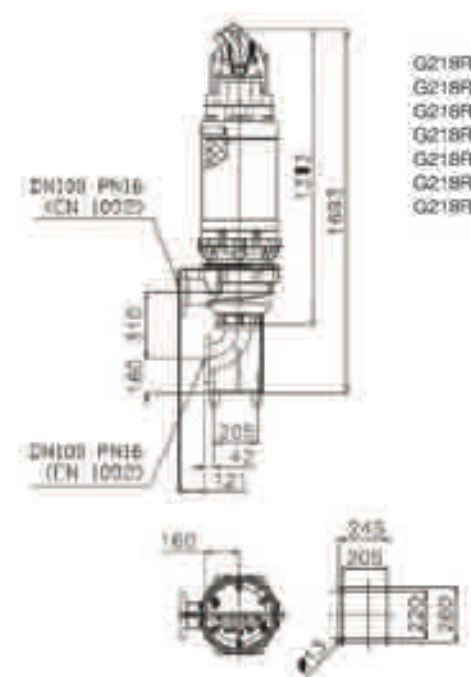
G213R6V1-M50AM2  
G213R6V2-M50AM2  
G213R3V4-M80AM2  
G213R3V5-M80AM2



G216R3V1-M80AM2



G218R3V1-P86AM2  
G218R3V2-P86AM2  
G218R3V3-P86AM2  
G218R3V4-P86AM2  
G218R3V6-P86AM2  
G218R3V7-P86AM2  
G218R3V8-P86AM2





## SUBMERGED SEWAGE PUMP VQ SERIES

SUBMERGED  
PUMPS SEWAGE  
VQ

铸铁V型叶轮



## I、Application 应用

Submersible electric vortex pumps are used predominantly for pumping sewage water and suspended solid bodies in particular for emptying septic tanks and for other civil or industrial applications.

涡流电泵主要用于泵送污水和悬浮固体。尤其用于化粪池。以及其他民用或工业应用。

## II、Construction Data 结构数据

Submersible electric pumps, robust in construction, watertight electric motors accommodated in compartment, connected, by shafts of reduced lengths, to the impellers situated at the pump casing by the interposition of oil chamber between the hydraulic side and the electric motor.

潜水电泵构造结实，电动马达室防水密封，由短轴连接到泵壳内的泵轮上，润滑油位于泵壳的液压侧与电机之间。

## III、Materials 材料

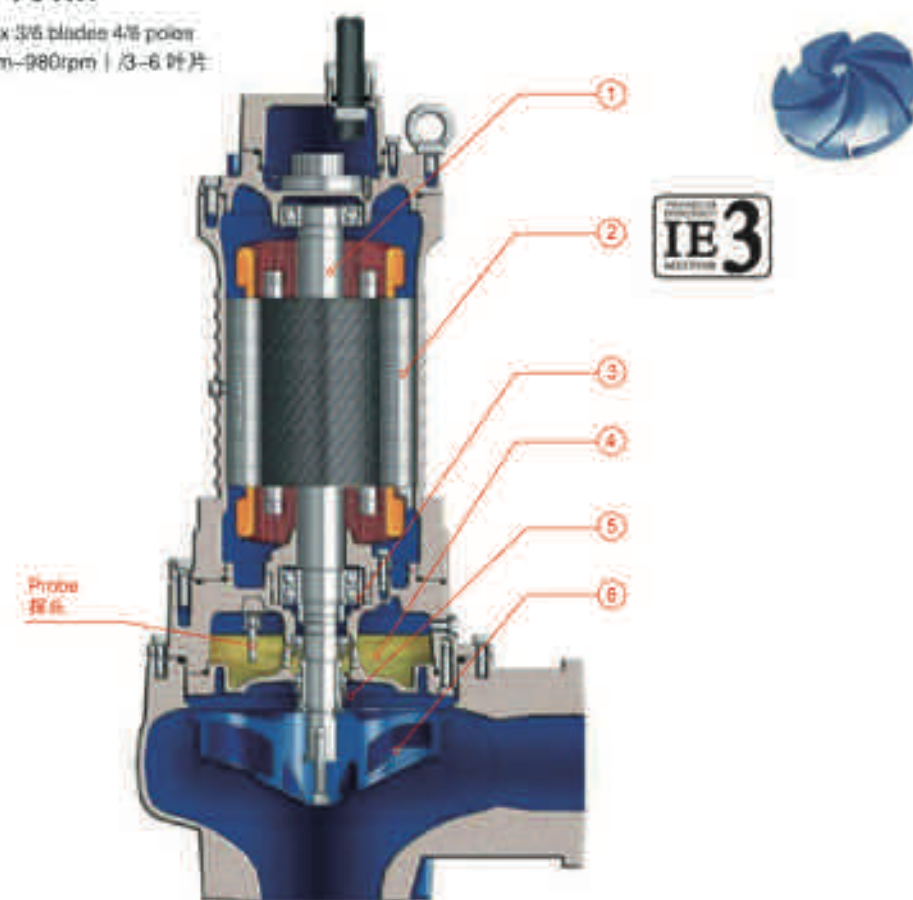
Motor Housing	电机外壳	Cast Iron EN-GJL-250	铸铁 EN-GJL-250
Impeller	叶轮/球磨并壳	Cast Iron EN-GJL-250+Ni	铸铁 EN-GJL-250+Ni
Electric Cable	电缆	Neoprene H07RN/F	氯丁橡胶 H07RN/F
Shaft	轴	Stainless Steel AISI-A208/A31	不锈钢 AISI 420/A31
O-Rings And Lip Seal	O 形环和唇形密封	Nitrile	丁腈橡胶
Bolt	螺栓	A2 class - AISI 304	A2 类 - AISI 304
Mechanical Seal	机械密封	Silicon Carbide / Silicon Carbide	碳化硅/碳化硅

## SUBMERGED SEWAGE PUMP

VQC / 铸铁污水泵

## IV、Features 特点

Submersible electric pumps vortex 3/6 blades 4/6 poles  
潜水涡流电泵 / 4-6 极 (1450rpm-980rpm) / 3-6 叶片



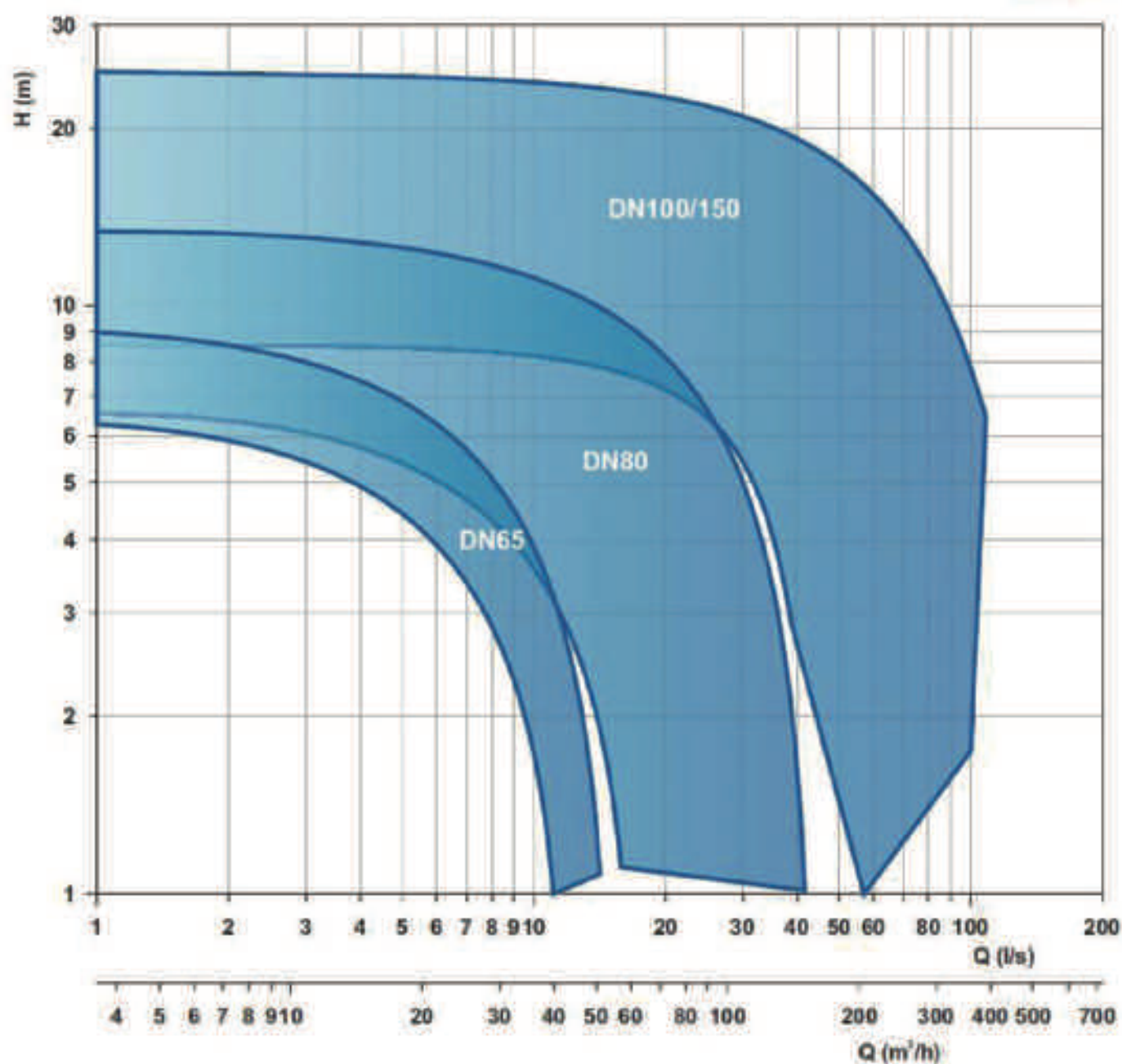
- 1 Shaft** grided down in ball bearings and mechanical seals seats, over-dimensioned respect to standard parameters of use.
- 2 Motor** asynchronous three-phase squirrel cage type, insulation class H(180 ° C). Dry motor, cooled by surrounding liquid. Protection degree IP 68. The motor is projected for continuous or intermittent operation, with a maximum of 15 starts per hour at regular intervals. The motor is projected for working with 5% maximum voltage unbalance between phases.
- 3 Ball bearings** overdimensioned, life lubricated, maintenance free.
- 4 Oil chamber** oil lubricates and cools the seals and emulsifies eventual water infiltrations. This electric pump has two types of seals for a perfect insulation between the electric motor and the pumped liquid. Upper seal: Ceramic/Graphite.
- 5 Lower seal**: mechanical, silicon carbide.
- 6 Impellers** are projected in order to guarantee and assure an high hydraulic efficiency and low power consumption, they have big inter-blades and diffusor free passages; minimum blades number, special blades design, especially diffusors' water-cutter blades designed to avoid filamentous materials catching.

- 1 轴** 球轴承压入，机械密封座，尺寸大于标准使用参数。
- 2 异步电机** 三相鼠笼型，绝缘等级 H(180 ° C)，干电机，由周围液体冷却，防护等级 IP 68，电机用于连续或间歇运行，按固定时间间隔每小时最多启动 15 次。电机用于相间电压不平衡最大为 5% 的工作环境。
- 3 大尺寸球轴承**，长效润滑，免维护。
- 4 润滑油室** 润滑和冷却密封件并防止乳化水渗透。该电泵有两种类型密封件，可在电动机和泵送的液体之间完美地绝缘。  
顶部密封：唇式密封（丁腈橡胶）。
- 5 底部密封**：机械密封，碳化硅密封。
- 6 泵轮** 用于保证和确保高液力效率，低功耗；泵轮有大内叶片和扩压器自由通道，最小叶片数，特殊的叶片设计，特别是扩压器的水刀刀片设计，可避免纤维材料缠绕。

# SUBMERGED SEWAGE PUMP

VQC / 铸铁污水泵

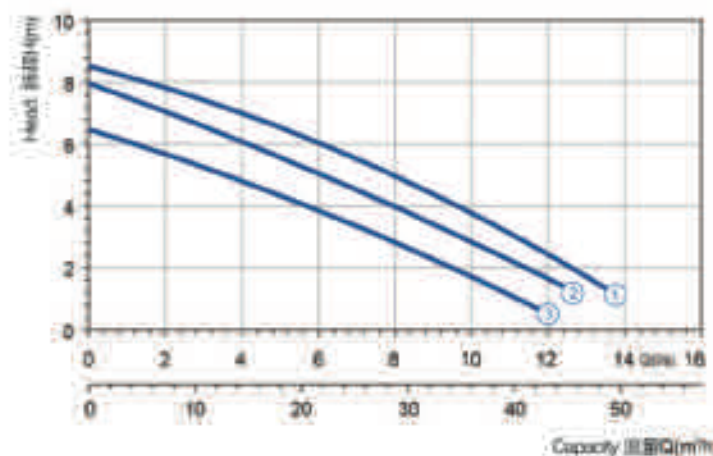
V、Submersible Electric Pumps Vortex 3/6 Blades 4/6 Poles  
潜水涡流电泵/4-6极 (1450rpm-980rpm) /3-6叶片



# SUBMERGED SEWAGE PUMP

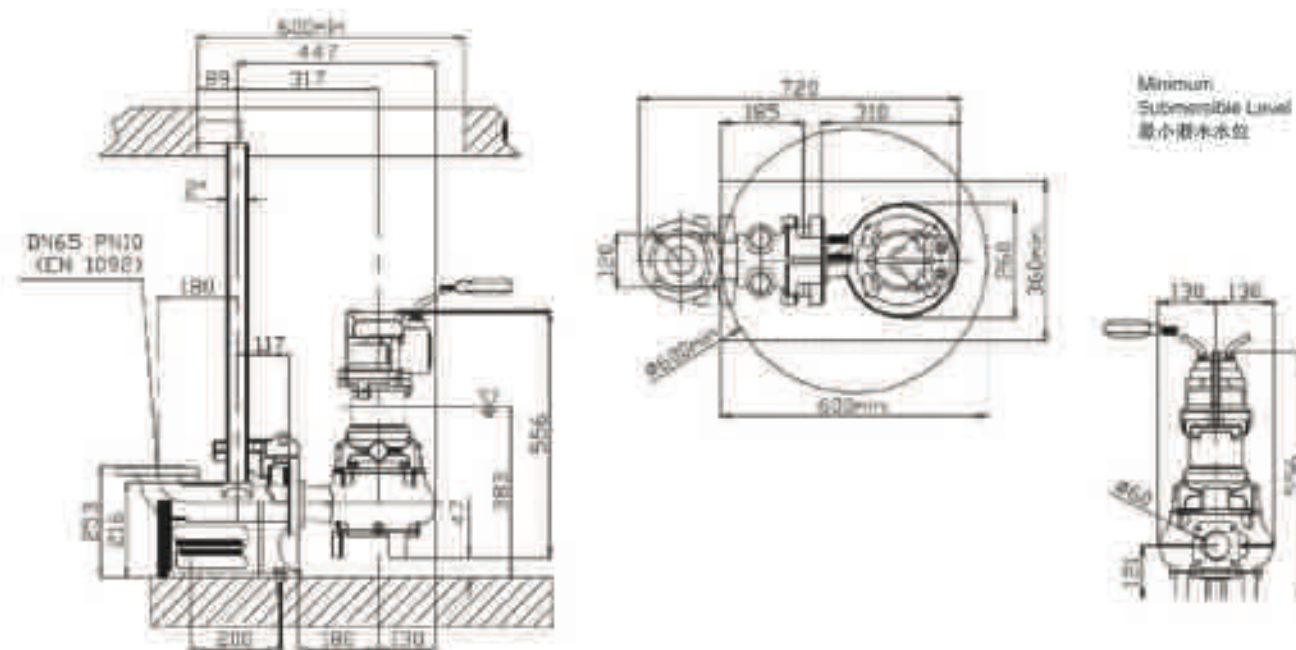
VQC / 铸铁污水泵

VI、Performance Curve 性能曲线



参数	Type 230V 50Hz	流量 (l/s)	代码	型号	额定功率 (kW)	额定电压 (V)	额定流量 (l/s)	ATEX 认证号
每分钟转速	1450							
自由扬程 (mm)	50	1	7002285	G471MOV1-LACAB	1.8	0.2	48	7002822
排量直径 (mm)	DN 65	1	7002286	G471MEV2-L50AB1	1.8	0.1	40.5	7002823
最大重量 (Kg)	43	1	7002287	G471MOV3-L50AB1	1.2	0.0	34.5	7002824

VII、Dimensions 尺寸(mm)



VQ

D

V

S

M

H

C

T

P

XD

XV

XC

X7

BQ

BV

BC

Installation

Vx

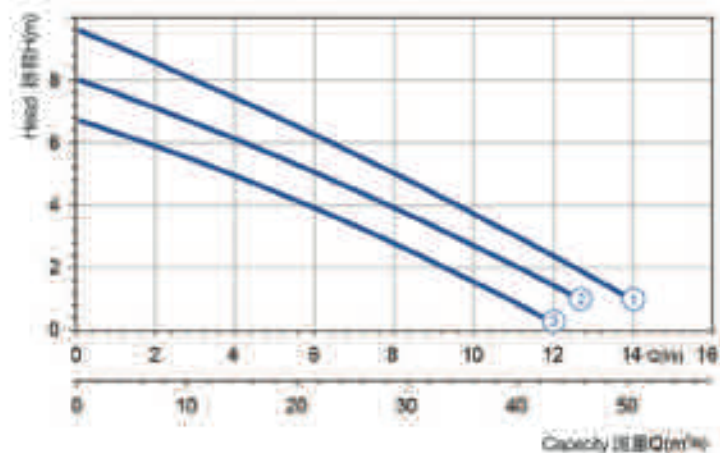
VW

附录

# SUBMERGED SEWAGE PUMP

VQC / 铸铁污水泵

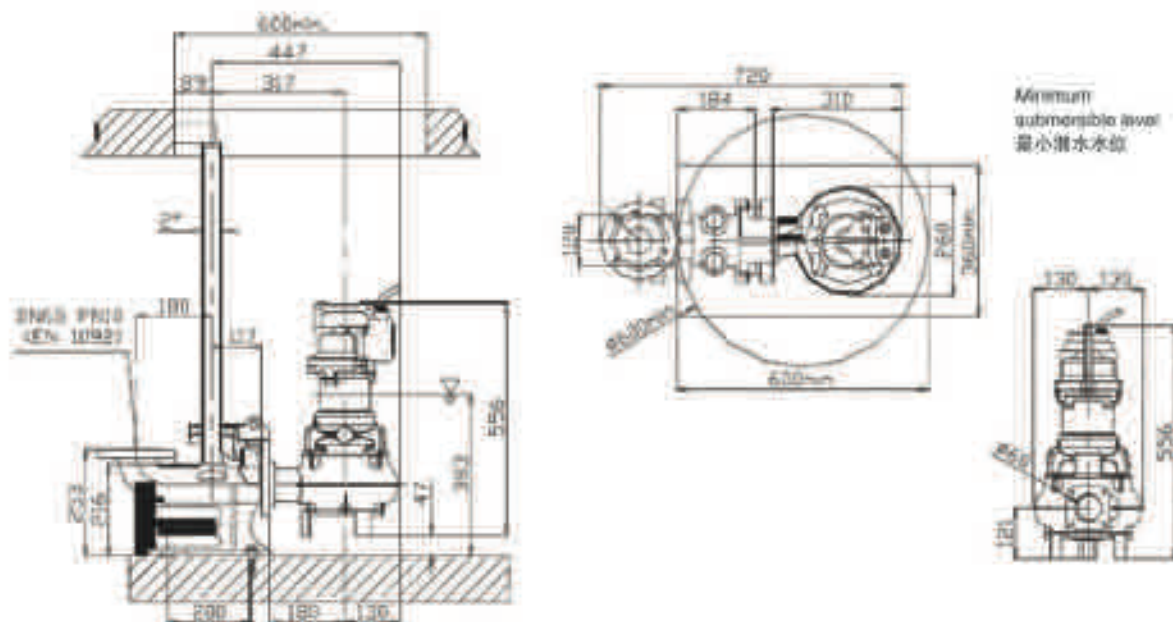
## VI、Performance Curve 性能曲线



电机	1.5kW 50Hz
每分钟转速	1450
自由扬程 (mm)	80
排量直径 (mm)	DN 65
最大重量 (Kg)	42

电机	ATEX 认证款					
电机	代码	型号	额定功率P2 (kW)	额定电流 (A)	启动电流 (A)	ATEX 认证号
1	7002047	G471T6V1-L50AA0	1.6	3.1	14	7002702
1	7002048	G471T6V2-L50AA0	1.4	2.7	12.2	7003643
1	7002049	G471T6V3-L50AA0	1.1	2.4	10.8	7002811

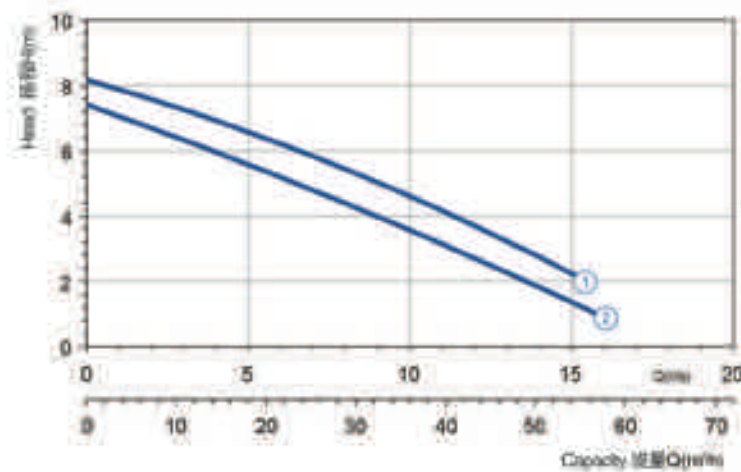
## VII、Dimensions 尺寸(mm)



# SUBMERGED SEWAGE PUMP

VQC / 铸铁污水泵

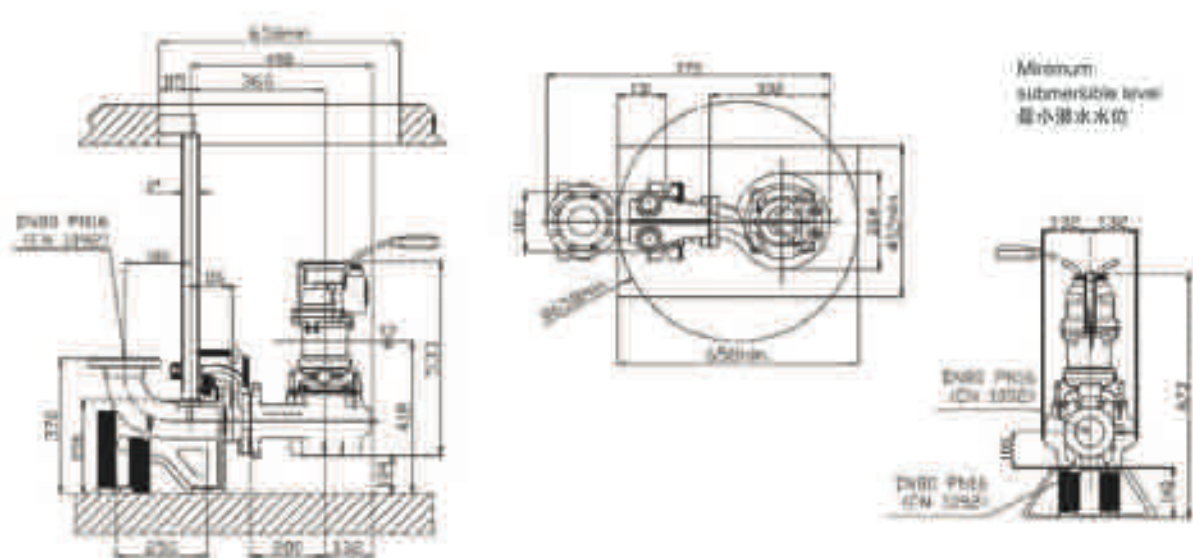
## VI、Performance Curve 性能曲线



电机	1.5kW 50Hz
每分钟转速	1450
自由扬程 (mm)	50
排量直径 (mm)	DN 80
最大重量 (Kg)	46

电机	ATEX 认证款					
电机	代码	型号	额定功率P2 (kW)	额定电流 (A)	启动电流 (A)	ATEX 认证号
1	7005430	G471M6V1-M50AB1	1.6	3.2	46	7005821
1	7005431	G471M6V2-M50AB1	1.4	2.8	40.5	7005682

## VII、Dimensions 尺寸(mm)

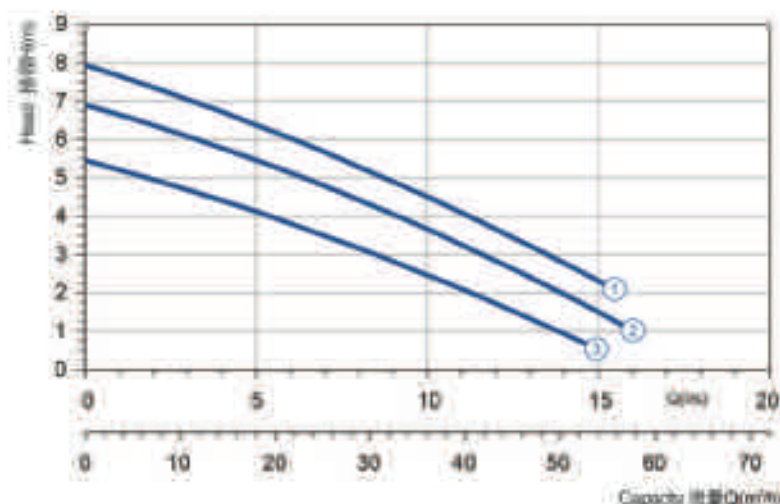


- VQ
- D
- V
- S
- M
- H
- C
- T
- P
- XD
- XV
- XG
- XT
- BQ
- BV
- BC
- Instalabox
- Vx
- VW
- 附录

# SUBMERGED SEWAGE PUMP

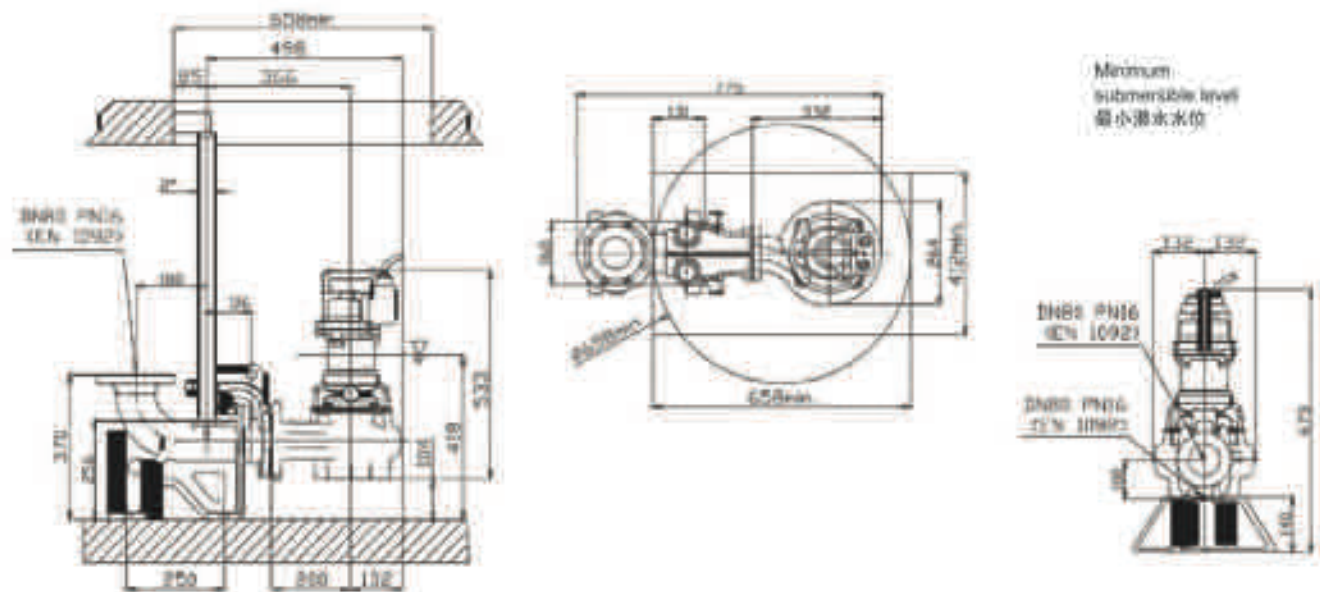
VQC / 铸铁污水泵

## VI、Performance Curve 性能曲线



电压	功率 400V/50Hz	电机V	代码	型号	电机	ATEX 认证号		
每分钟转速	1450				额定功率P2 (kW)	额定电流(A)	启动电流(A)	
自由扬程 (mm)	50	1	7005258	G471T6V1-M60AA0	1.6	3.1	14	7005836
接管直径 (mm)	DN 80	2	7009010	G272T3V2-K48AA0	1.4	2.7	12.2	7005848
最大重量 (Kg)	45	3	7006531	G272T3V6-K48AA0	1.1	2.4	10.8	7001888

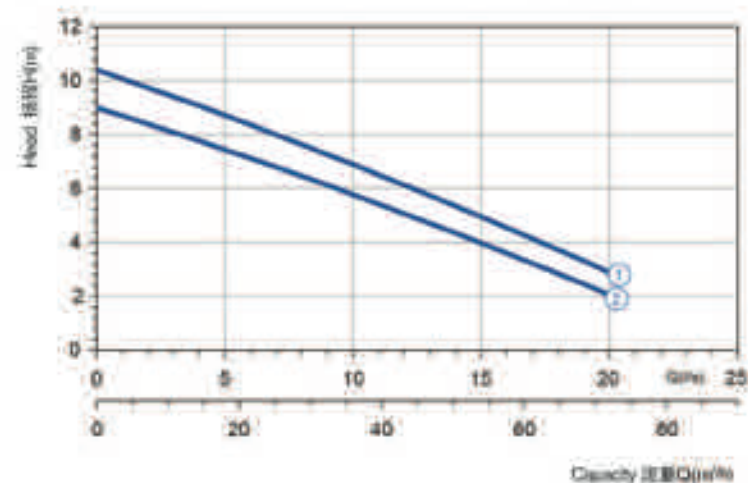
## VII、Dimensions 尺寸(mm)



# SUBMERGED SEWAGE PUMP

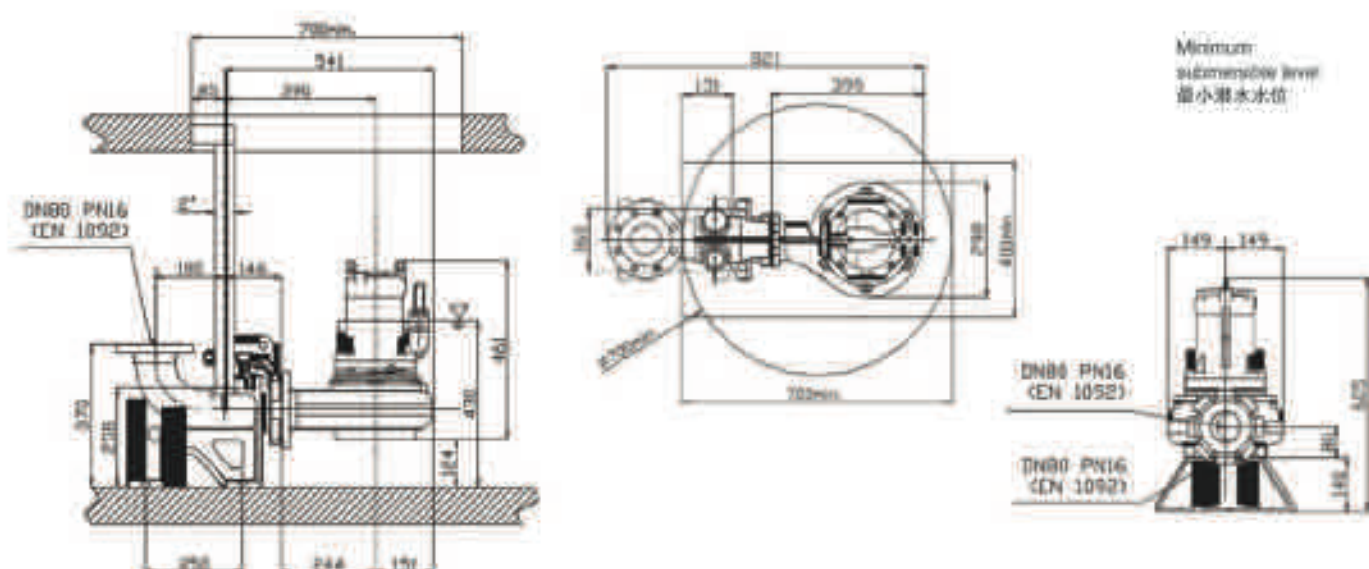
VQC / 铸铁污水泵

## VI、Performance Curve 性能曲线



电压	功率 400V/50Hz	电机V	代码	型号	电机	ATEX 认证号		
每分钟转速	1450				额定功率P2 (kW)	额定电流(A)	启动电流(A)	
自由扬程 (mm)	50x60	1	7007382	G409T6V1-M60AA0	3.2	6.2	27.9	7007825
接管直径 (mm)	DN 80	2	7007383	G409T6V2-M60AA0	2.8	5.4	24.3	7000848
最大重量 (Kg)	64							

## VII、Dimensions 尺寸(mm)



VQ

D

V

S

M

H

C

T

P

XD

XV

XC

XT

BD

BV

BC

Installation

Vx

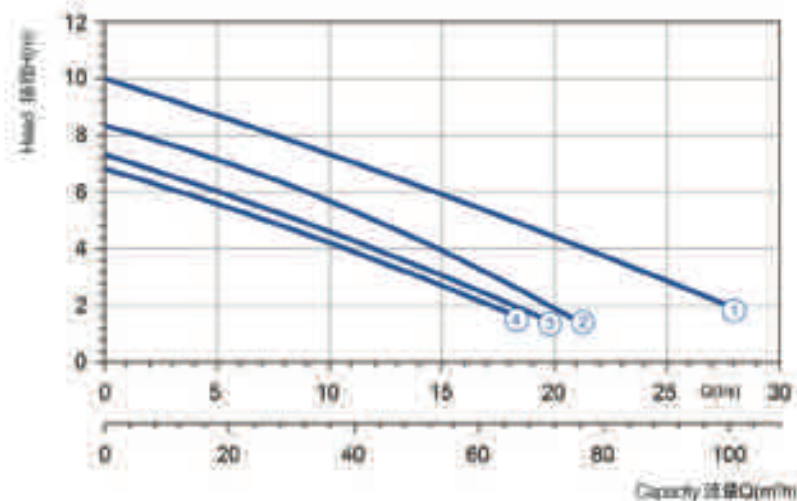
VW

附录

# SUBMERGED SEWAGE PUMP

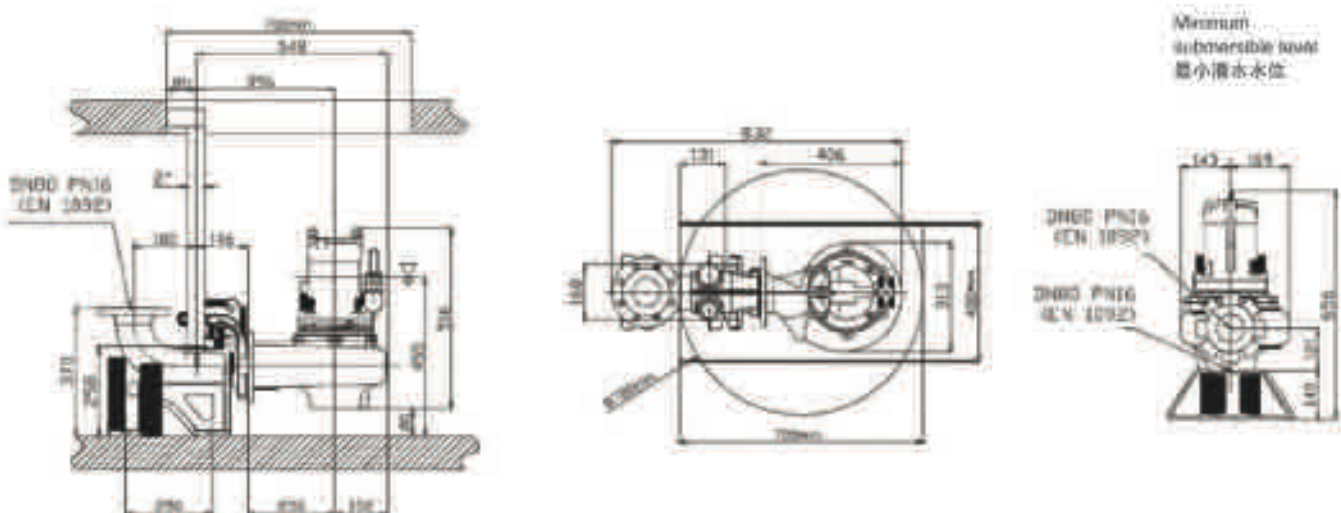
VQC / 铸铁污水泵

## VI、Performance Curve 性能曲线



参数	范围 400V/50Hz	电机	ATEX (认证)
每分钟转速	1450	额定功率P2 (kW)   额定电流 (A)   启动电流 (A)	
自由扬程 (mm)	64	1 7002013 G40978V1-M64AA0 3.2 5.2 27.9 7002794	
排管直径 (mm)	DN 80	2 7005119 G40978V3-M64AA0 2.3 4.4 19.8 7001022	
最大重量 (Kg)	64	3 7001079 G40978V5-M64AA0 1.8 3.7 16.7 7001870	
		4 7001095 G40978V6-M64AA0 1.9 3.7 16.7 7001822	

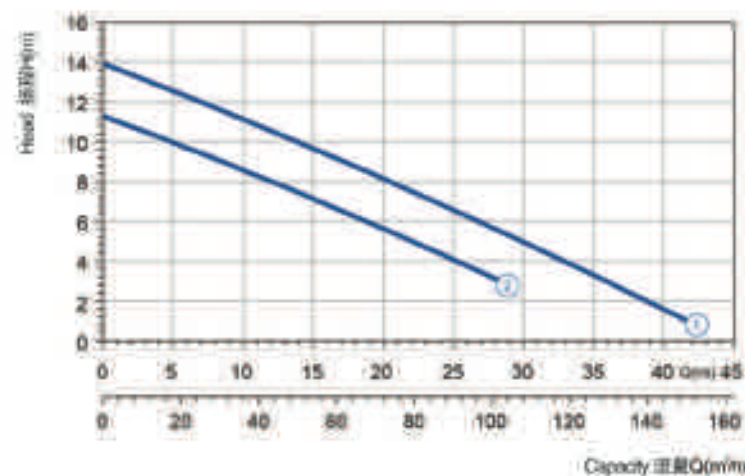
## VII、Dimensions 尺寸(mm)



# SUBMERGED SEWAGE PUMP

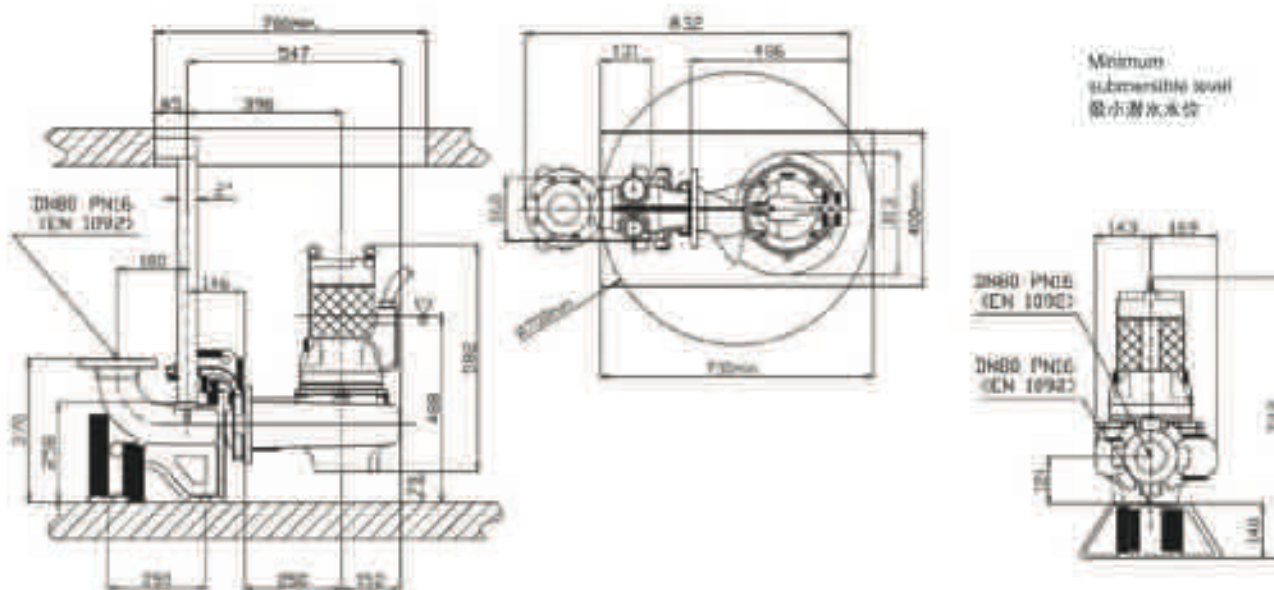
VQC / 铸铁污水泵

## VI、Performance Curve 性能曲线



参数	范围 400V/50Hz	电机	ATEX (认证)
每分钟转速	1450	额定功率P2 (kW)   额定电流 (A)   启动电流 (A)	
自由扬程 (mm)	64	1 7002015 G410R6V1-M64AA2 4.9 9.9 48.5 7008203	
排管直径 (mm)	DN 80	2 7007908 G410R6V2-M64AA2 3.5 6.8 30.6 7002765	
最大重量 (Kg)	79		

## VII、Dimensions 尺寸(mm)

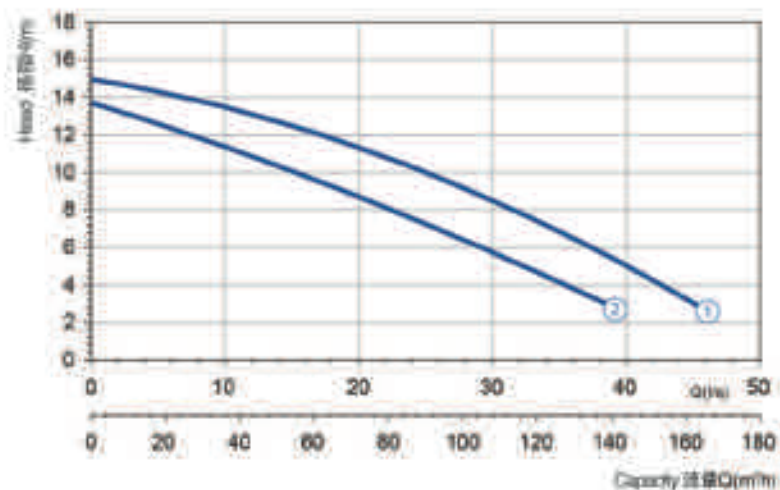


- VG
- D
- V
- S
- M
- H
- C
- T
- P
- XD
- XV
- XG
- XT
- BQ
- BV
- BC
- Installation
- Vx
- VW
- 附录

# SUBMERGED SEWAGE PUMP

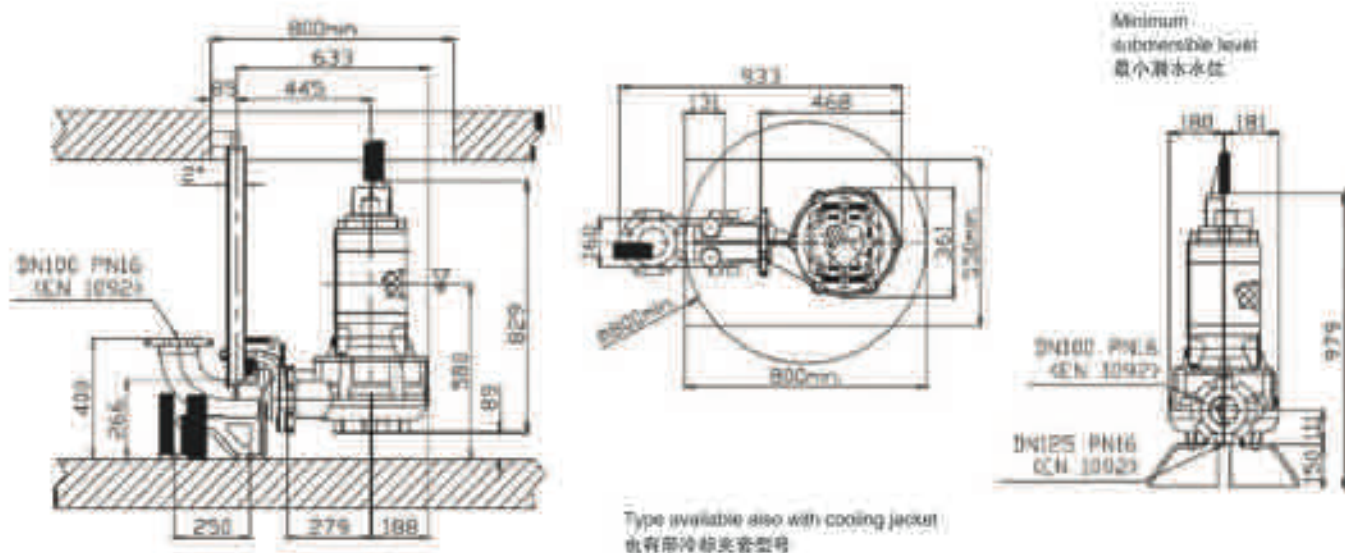
VQC / 铸铁污水泵

## VI、Performance Curve 性能曲线



电机	3~6 400W/50Hz	电机	代号	型号	额定功率P2 (kW)	额定电流 (A)	启动电流 (A)	ATEX (证书)
每分钟转速	1450	1	7006377	G411R6V1-P90AA2	7.5	14.3	94.4	7007500
自由扬程 (mm)	70x90	2	7006378	G411R6V2-P90AA2	8	11.5	67.9	7007501
排管直径 (mm)	DN 100							
最大重量 (Kg)	165							

## VII、Dimensions 尺寸(mm)

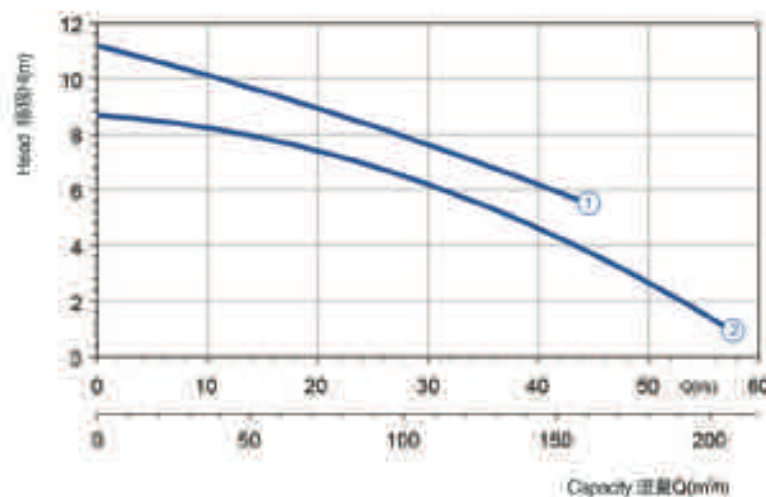


Type available also with cooling jacket 也有带冷却夹套型号

# SUBMERGED SEWAGE PUMP

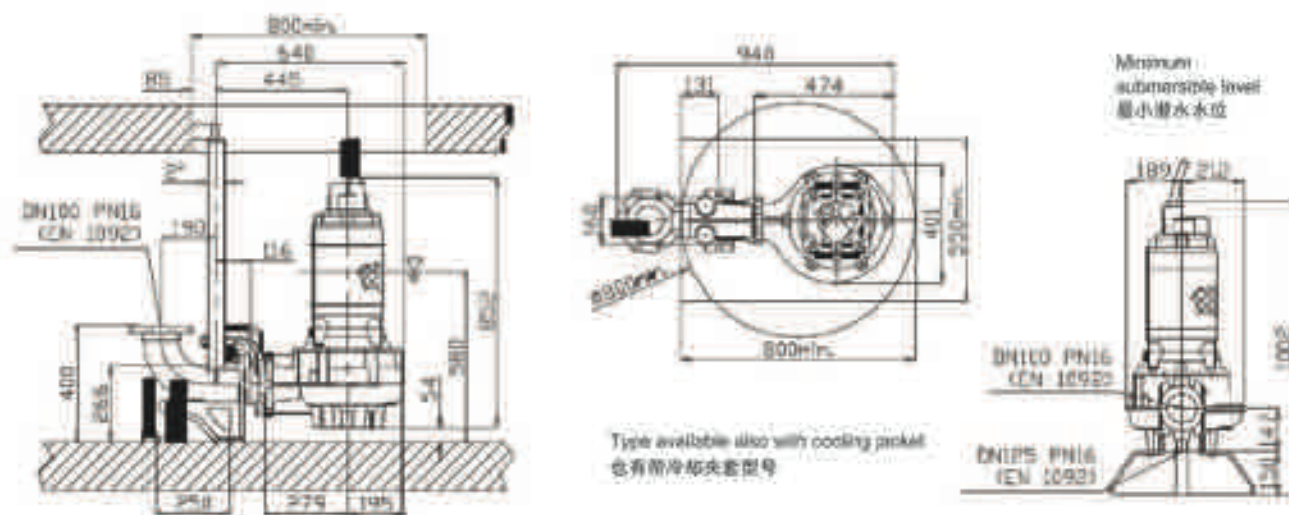
VQC / 铸铁污水泵

## VI、Performance Curve 性能曲线



电机	3~6 400W/50Hz	电机	代号	型号	额定功率P2 (kW)	额定电流 (A)	启动电流 (A)	ATEX (证书)
每分钟转速	950	1	7002253	G611R6V1-P90AA2	6.5	13	76.7	7007504
自由扬程 (mm)	80	2	7004680	G611R6V2-P90AA2	5.2	10.4	61.4	7007503
排管直径 (mm)	DN 100							
最大重量 (Kg)	170							

## VII、Dimensions 尺寸(mm)



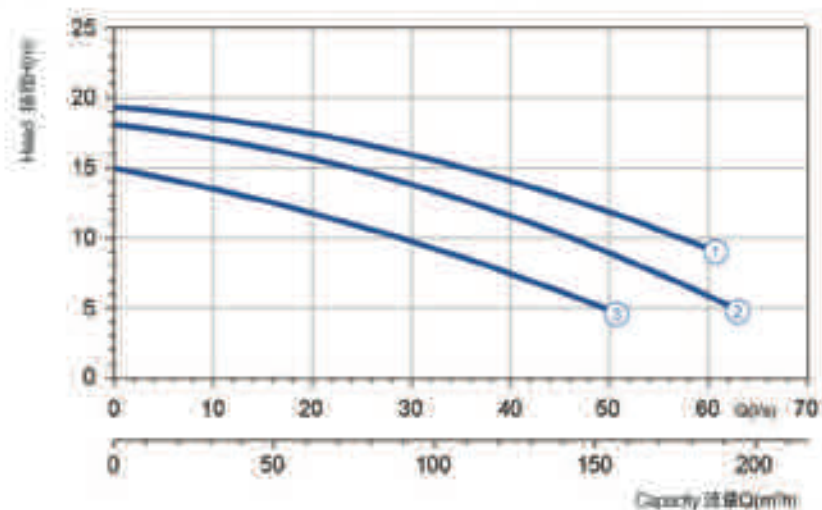
Type available also with cooling jacket 也有带冷却夹套型号

- VG
- D
- V
- S
- M
- H
- C
- T
- P
- XD
- XV
- XG
- XT
- BQ
- BV
- BC
- Installation
- VX
- VW
- 附录

# SUBMERGED SEWAGE PUMP

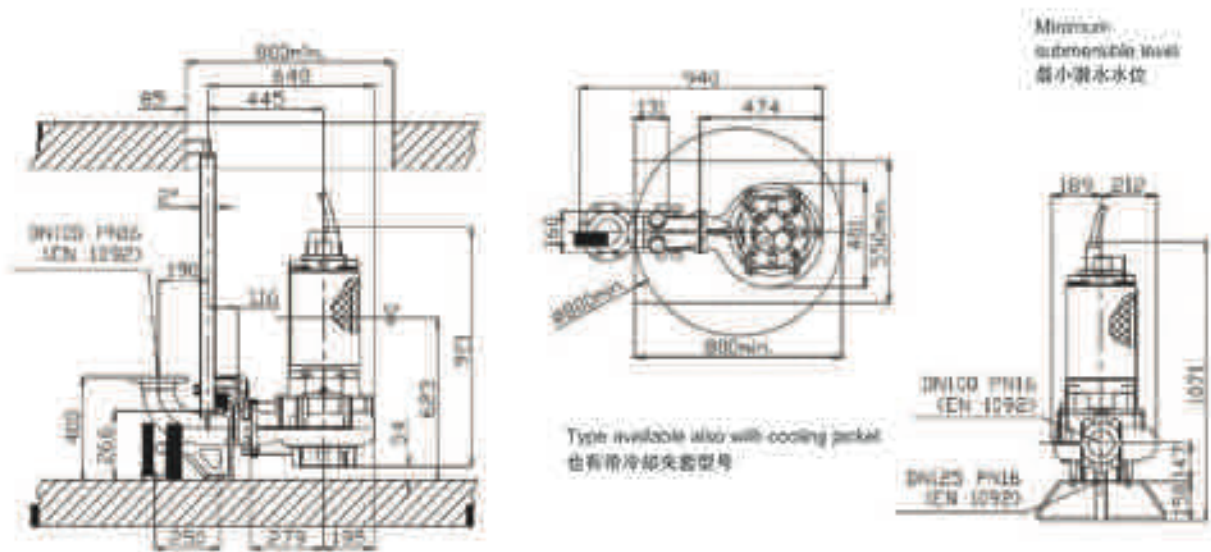
VQC / 铸铁污水泵

## VI、Performance Curve 性能曲线



流量	电压 400/690V 50Hz	转速/r	代号	型号	功率	ATEX (认证)		
每分钟转速	1450							
自由扬程 (mm)	80		1	7001189 G413P6V1-P60AA2	18	29.7	175	7007474
排量直径 (mm)	DN 100		2	7001145 G413P6V2-P60AA2	12.9	24.1	142	7007360
最大重量 (Kg)	205		3	7001166 G413P6V3-P60AA2	10	18	112	7007467

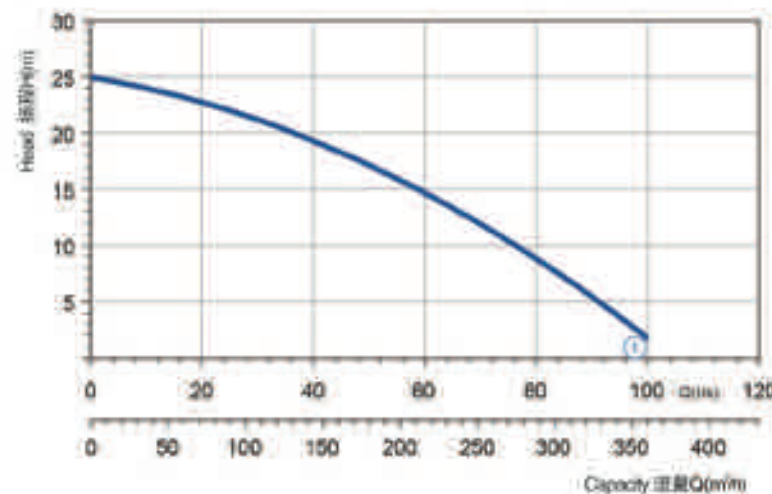
## VII、Dimensions 尺寸(mm)



# SUBMERGED SEWAGE PUMP

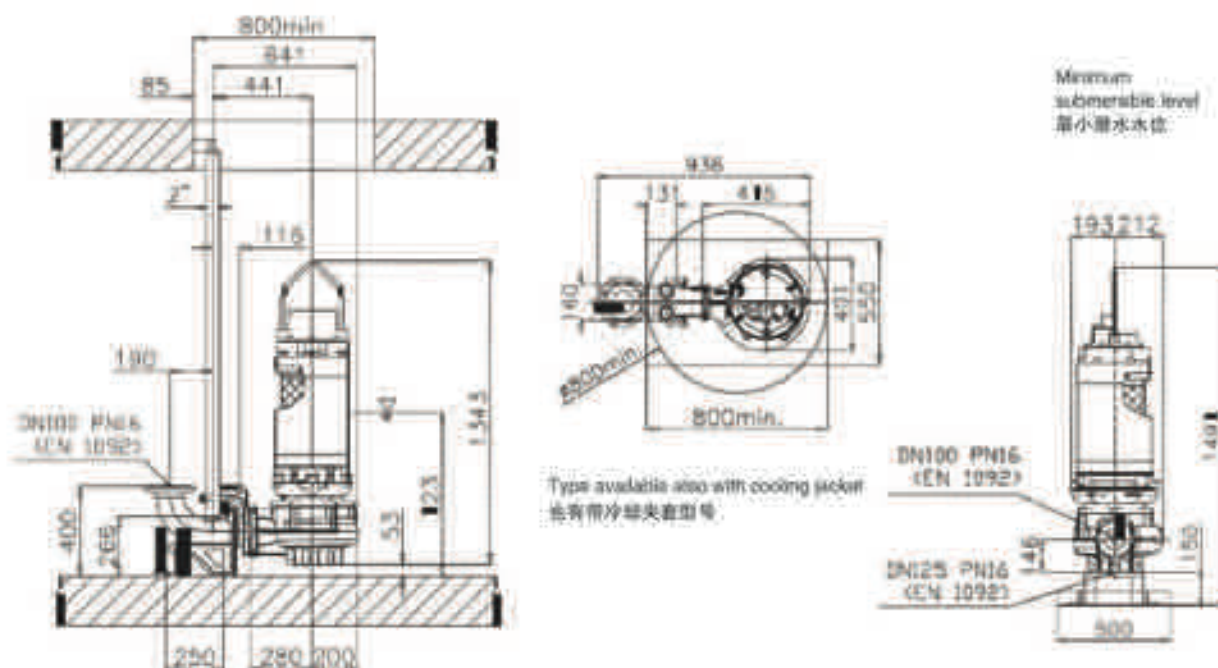
VQC / 铸铁污水泵

## VI、Performance Curve 性能曲线



流量	电压 400/690V 50Hz	转速/r	代号	型号	功率	ATEX (认证)		
每分钟转速	1450							
自由扬程 (mm)	80		1	7006001 G415P6V1-P60AA2	27	49.8	293	7006773
排量直径 (mm)	DN 100							
最大重量 (Kg)	325							

## VII、Dimensions 尺寸(mm)



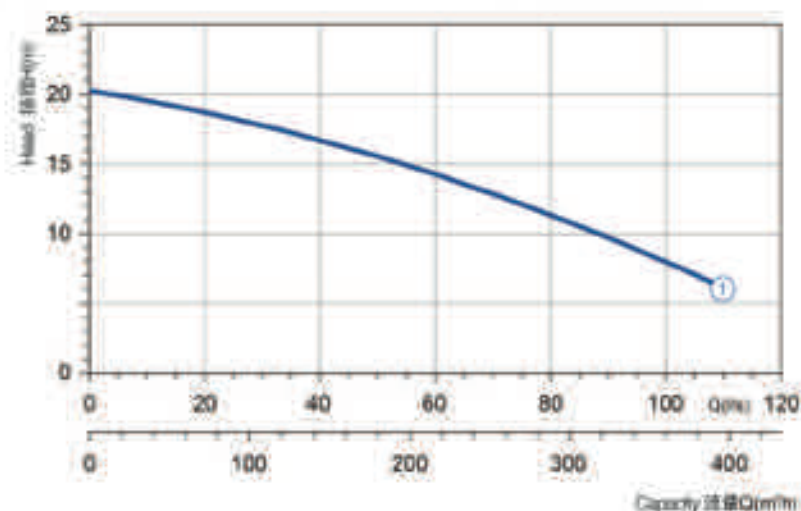
- VG
- D
- V
- S
- M
- H
- C
- T
- P
- XD
- XV
- XG
- XT
- BQ
- BV
- BC
- Installation
- VX
- VW
- 附录

# SUBMERGED SEWAGE PUMP

VQC / 铸铁污水泵

## SUBMERGED SEWAGE PUMP VQ SERIES

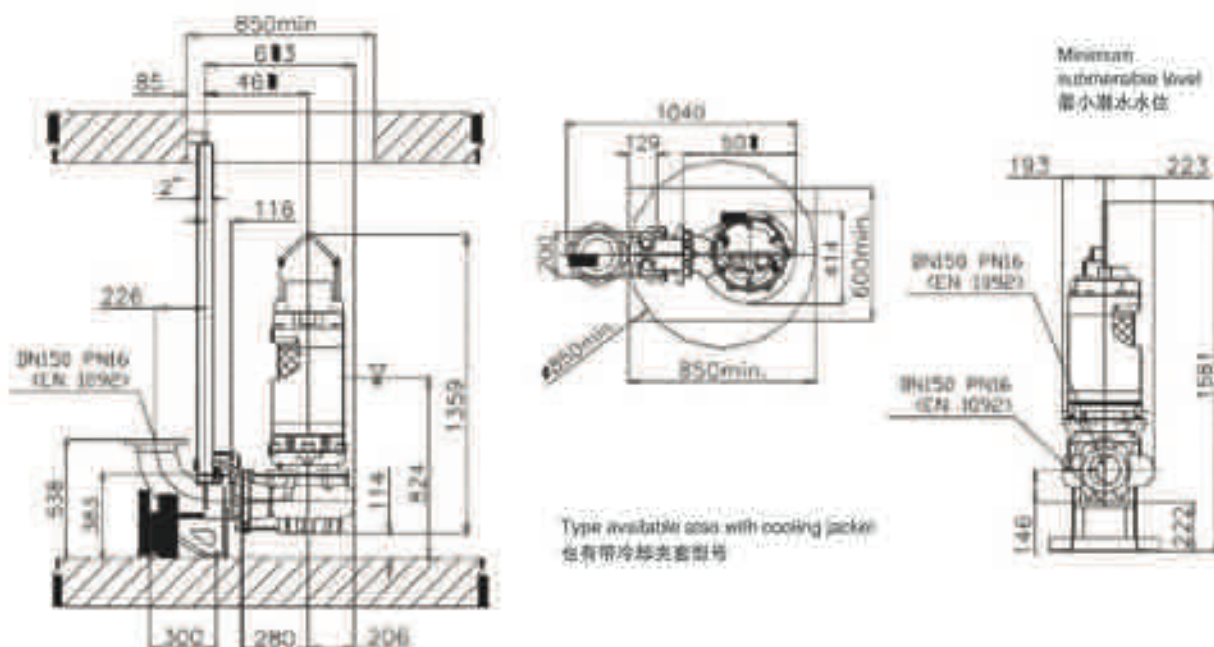
### VI、Performance Curve 性能曲线



电机	3000 RPM/50Hz
每分钟转速	1450
自由扬程 (mm)	100
叶轮直径 (mm)	DN 150
最大重量 (Kg)	355

电机	功率	型号	额定功率P2 (kW)	额定电流 (A)	启动电流 (A)	ATEX 认证
†	7006168	G410PRV1-S100AA2	27	49	293	7006285

### VII、Dimensions 尺寸(mm)



# SUBMERGED PUMPS SEWAGE



铸铁S型叶轮



### I、Application 应用

The SAND VORTEX submersible electric pump are designed to suit applications in plants with an high sand presence, in marble work companies, in the ceramic industry, crystals machining or industrial processes where there's a presence of abrasives liquids. The Polyurethane coating guarantees an high pump reliability, saving management costs.

涡流沙型电潜泵适用于沙含量高的工厂、大理石加工厂、陶瓷业、晶体加工或存在磨蚀性液体的工业生产方法。聚氨酯涂层确保泵的高可靠性，节约管理成本。

### II、Construction Data 结构数据

Submersible electric pumps, robust in construction, watertight electric motors accommodated in compartment, connected, by shafts of reduced lengths, to the impellers situated at the pump casing by the interposition of oil chamber between the hydraulic side and the electric motor.

潜水电泵构造结实，电动机室防水密封，由短轴连接到泵壳内的叶轮上，润滑油室位于泵壳的液压侧与电机之间。

### III、Materials 材料

Motor Housing	电机外壳	Cast Iron EN-GJL-250	铸铁 EN-GJL-250
Impeller	叶轮	Polyurethane With A Steel Core	聚氨酯包覆，钢芯
Electric Cable	电缆	Neoprene H07RN-F	氯丁橡胶 H07RN-F
Shaft	轴	Stainless Steel AISI 420B/431	不锈钢 AISI 420B/431
O-Rings Axial Lip Seal	O 形环和唇形密封	Nitrile	丁腈橡胶
Bolt	螺栓	A2 class - AISI 304	A2 类 - AISI 304
Mechanical Seal	机械密封	Silicon Carbide / Silicon Carbide	碳化硅/碳化硅

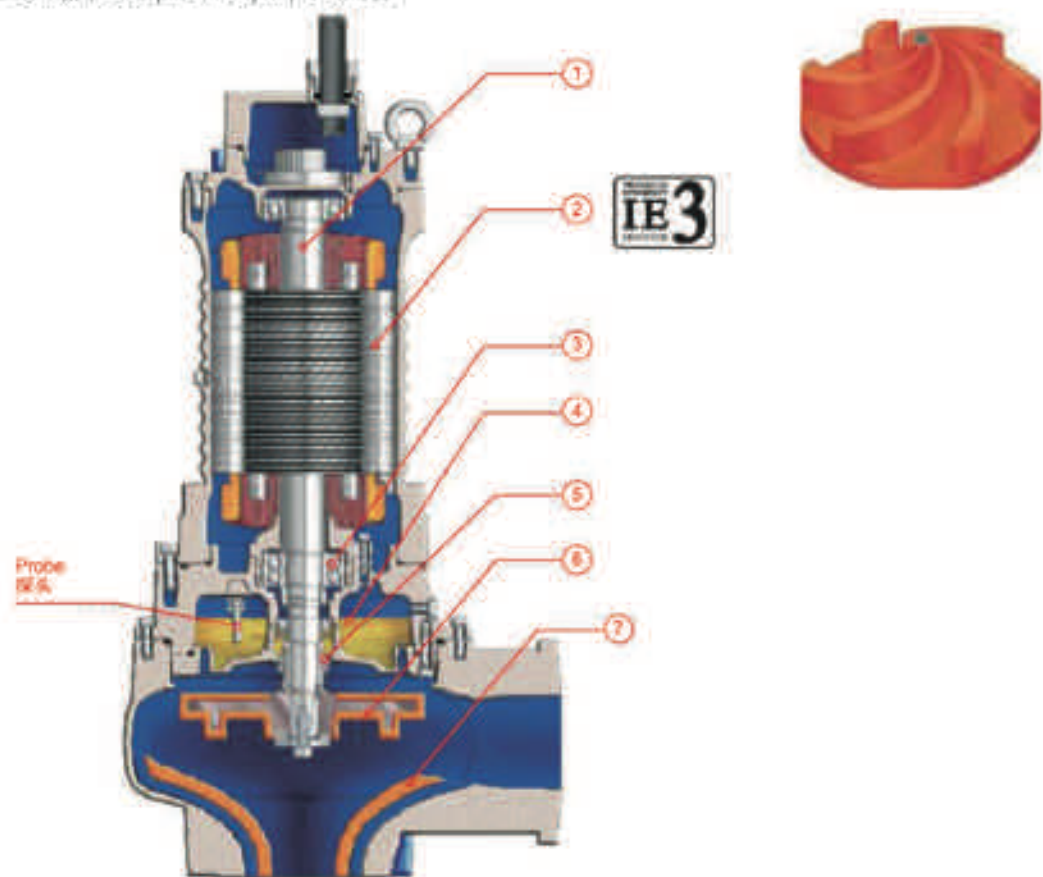


# SUBMERGED SEWAGE PUMP

VQC / 铸铁污水泵

## IV、Features 特点

Submersible electric pumps Sand Vortex 3/6 blades 2/4 poles  
潜水涡流沙电泵 2-4 极 (2900rpm-1450rpm) / 3-6 叶片

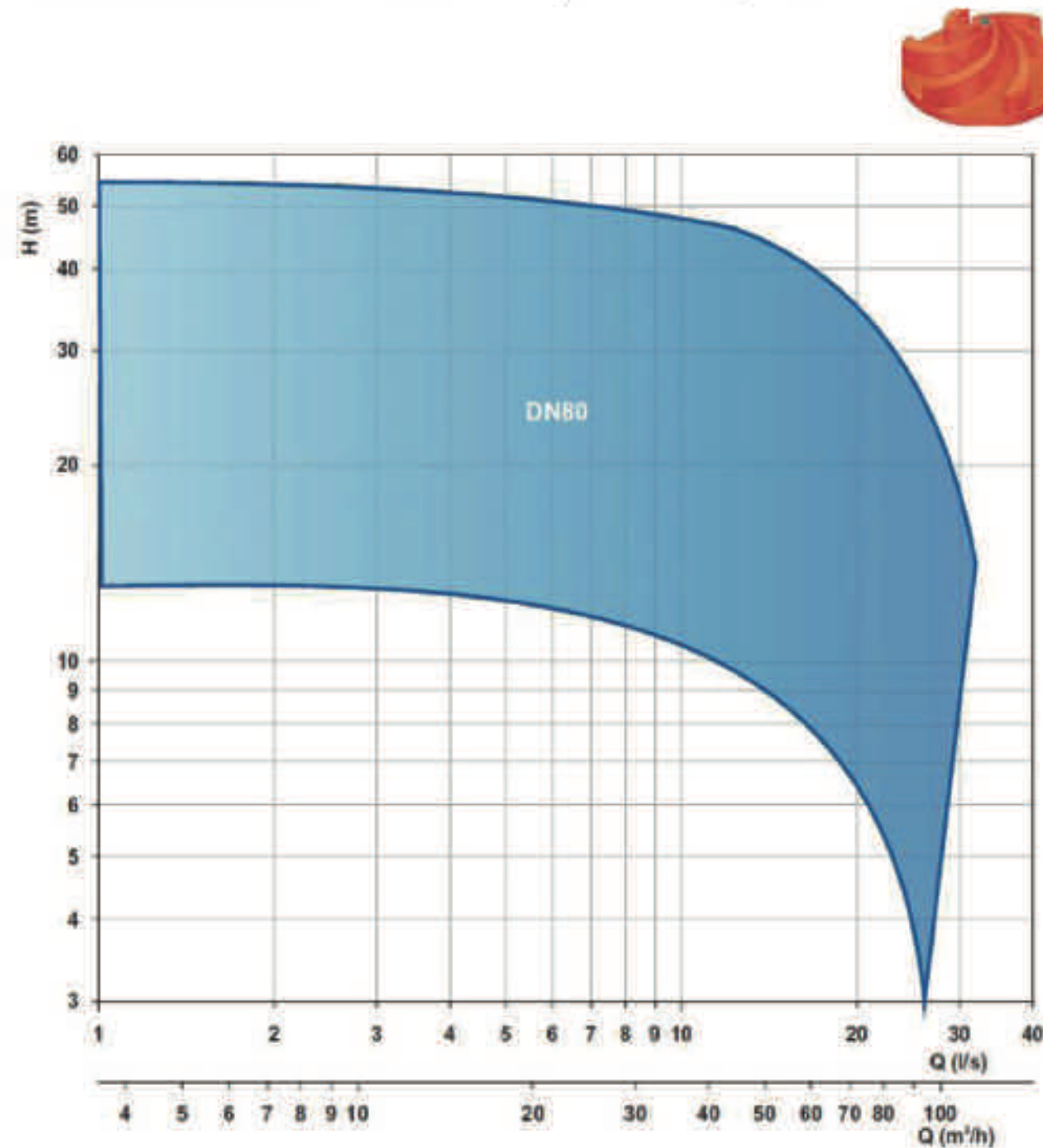


- 1 Shafts grinded down in ball bearings and mechanical seals seats, over-dimensioned respect to standard parameters of use.
- 2 Motor asynchronous three-phase squirrel cage type, insulation class H(180 ° C). Dry motor, cooled by surrounding liquid, Protection degree IP 68. The motor is projected for continuous or intermittent operation, with a maximum of 15 starts per hour at regular intervals. The motor is projected for working with 5% maximum voltage unbalance between phases.
- 3 Ball bearings overdimensioned, life lubricated, maintenance free.
- 4 Oil chamber oil lubricates and cools the shafts and simplifies eventual water infiltrations. This electric pump has two types of seals for a perfect insulation between the electric motor and the pumped liquid. Upper seal: Ceramic/Graphite.
- 5 Lower seal mechanical, silicon carbide.
- 6 Impeller in Polyurethane with a stainless steel core.
- 7 Diffuser in Cast-Iron EN-GJL-250, coated by Polyurethane in the parts subdue to high wear.
- 1 轴颈球轴承压入，机械密封座，尺寸大于标准使用参数。
- 2 异步电机三相鼠笼型，绝缘等级 H(180 ° C)。干电机，由周围液体冷却。防护等级 IP 68。电机用于连续或间歇运行，按固定时间间隔每小时最多启动 15 次。电机用于相间电压不平衡最大为 5% 的工作环境。
- 3 大尺寸球轴承，长效润滑，免维护。
- 4 润滑油室能润滑和冷却密封件并乳化水渗透。该电泵有两种类型密封件，可在电动机和泵送的液体之间完美绝堵。上部密封：陶瓷/石墨。
- 5 底部密封：机械密封，碳化硅密封。
- 6 聚氨酯叶轮不锈钢芯。
- 7 扩压器铸铁 EN-GJL-250 制，高磨损部位有聚氨酯覆层。

# SUBMERGED SEWAGE PUMP

VQC / 铸铁污水泵

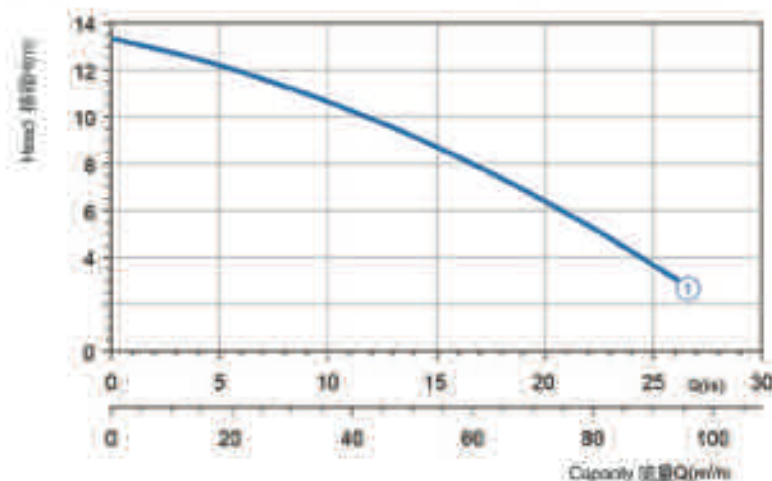
## V、Submersible Electric Pumps Sand Vortex 3/6 Blades 2/4 Poles 潜水涡流沙电泵/2-4极 (2900rpm-1450rpm) / 3-6叶片



# SUBMERGED SEWAGE PUMP

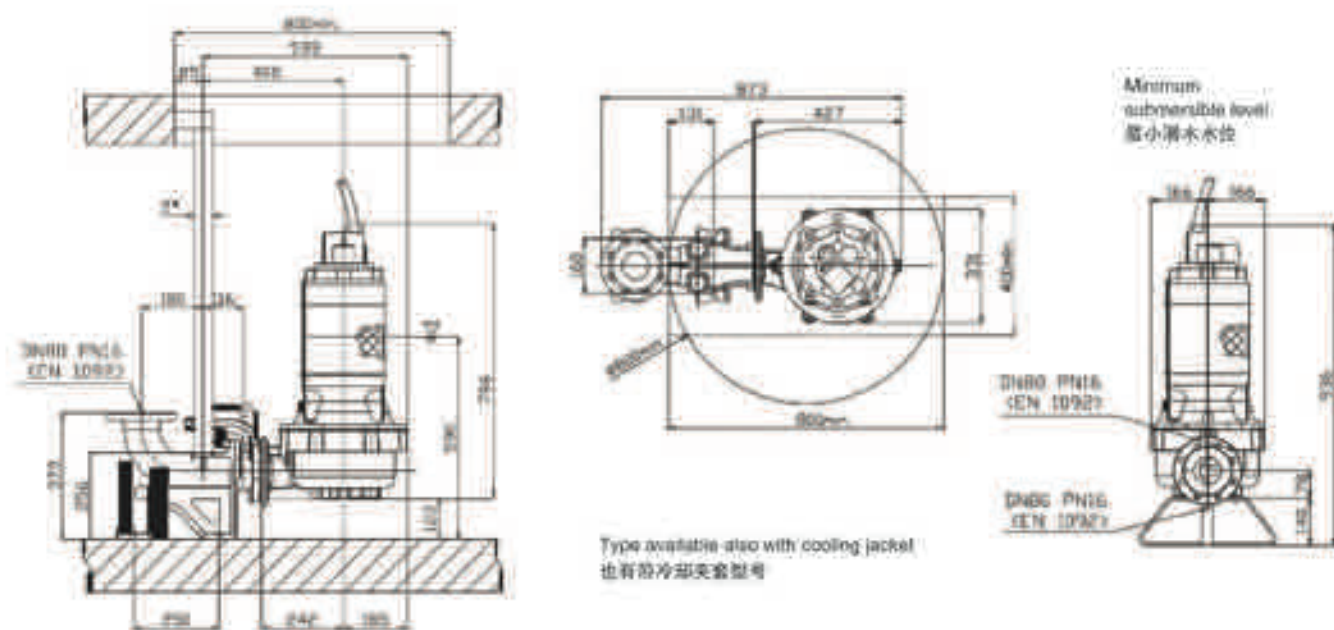
VQC / 铸铁污水泵

## VI、Performance Curve 性能曲线



电压	3ph 400/690V 50Hz	系列号	材料	型号	电机			ATEX 认证号
每分钟转速	1450				额定功率P2 (kW)	额定电流 (A)	额定转速n (A)	
自由通道 (mm)	35	I	7000382	G411R6S1-M35AA2	8	11.5	67.8	7008943
排量直径 (mm)	DN 80							
最大重量 (Kg)	180							

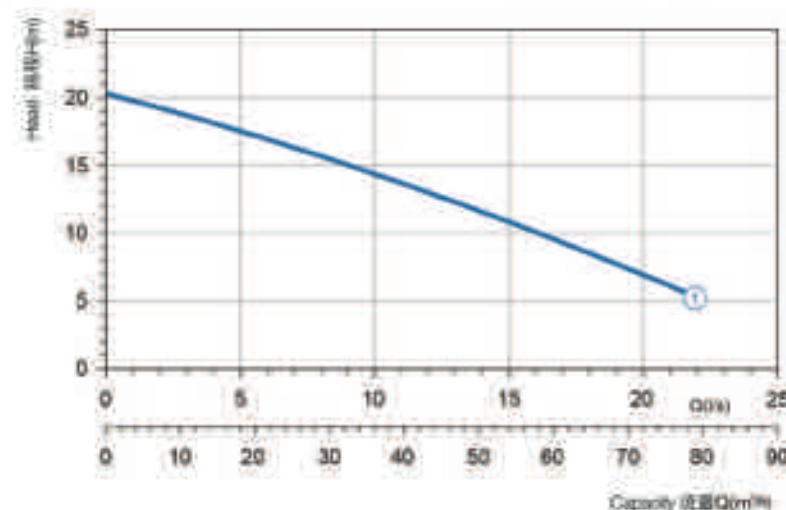
## VII、Dimensions 尺寸(mm)



# SUBMERGED SEWAGE PUMP

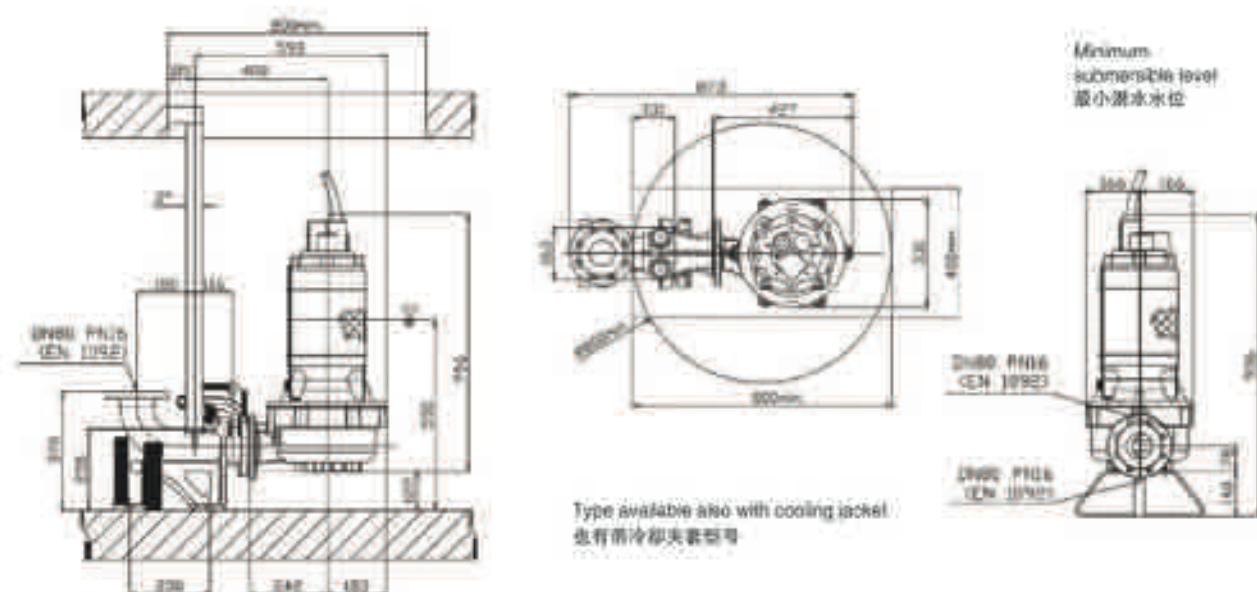
VQC / 铸铁污水泵

## VI、Performance Curve 性能曲线



电压	3ph 400/690V 50Hz	系列号	材料	型号	电机			ATEX 认证号
每分钟转速	2850				额定功率P2 (kW)	额定电流 (A)	额定转速n (A)	
自由通道 (mm)	35	I	7001100	G211R3S1-M35AA2	8	16.2	165.8	7000736
排量直径 (mm)	DN 80							
最大重量 (Kg)	185							

## VII、Dimensions 尺寸(mm)



VQ

D

V

S

M

H

C

T

F

XD

XV

XC

XT

BD

BV

BC

Insulation

VX

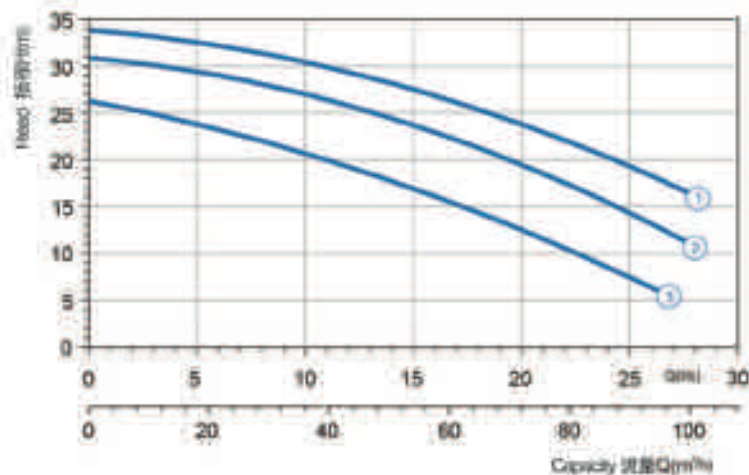
VW

附录

# SUBMERGED SEWAGE PUMP

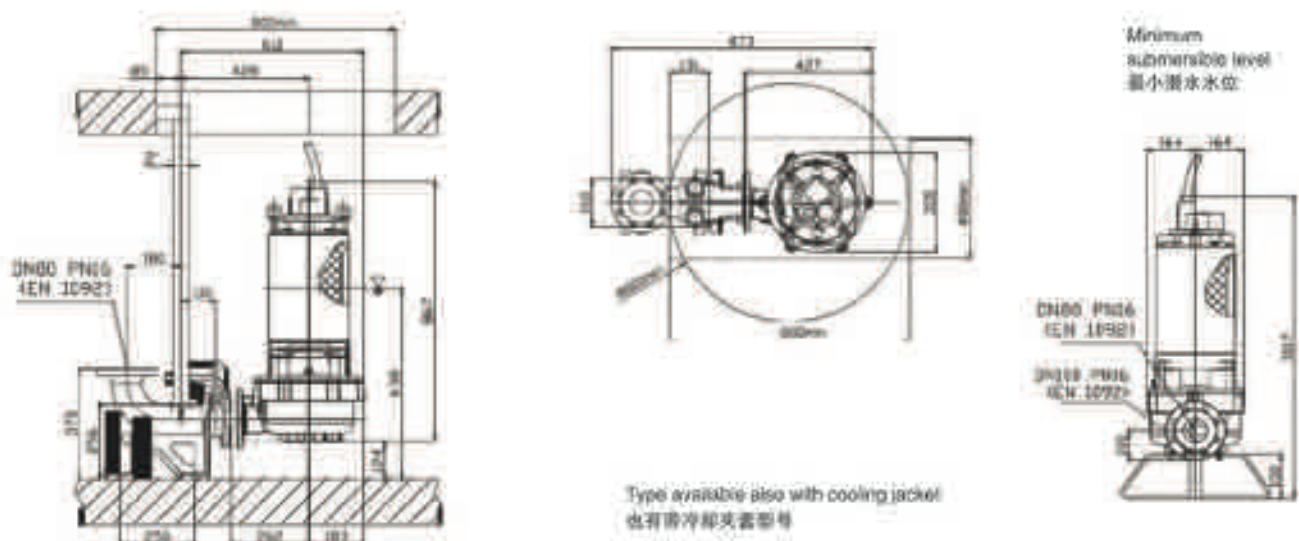
VQC / 铸铁污水泵

## VI、Performance Curve 性能曲线



电压	3ph 400/690V 50Hz	系列V	材料	型号	流量			ATEX 认证
每分钟转速	2850				额定流量 (Q) (m³/h)	额定流量 (A)	额定流量 (A)	ATEX 认证
自由扬程 (mm)	35	1	7009200	G213R3S1-M35AA2	16.8	29.8	176	7008821
接管直径 (mm)	DN 80	2	7001550	G213R3S2-M35AA2	16.8	29.8	176	7008825
最大重量 (Kg)	195	3	7003523	G213R3S3-M35AA2	12	21.7	128	7008828

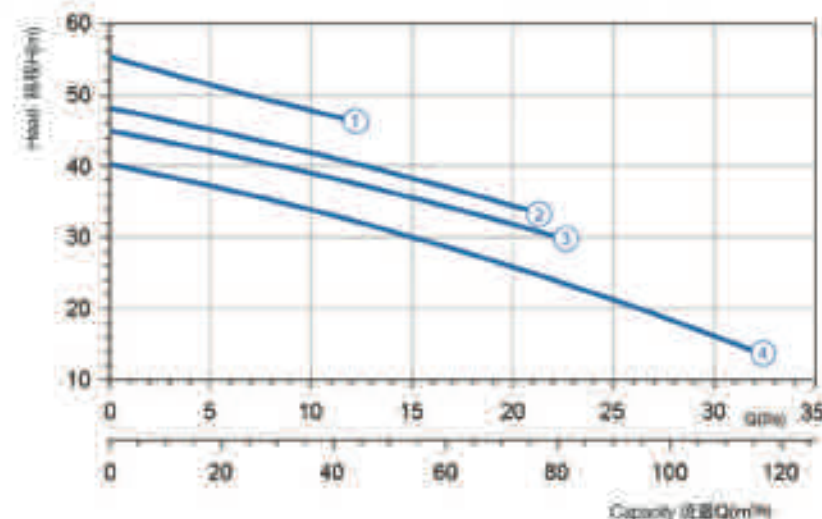
## VII、Dimensions 尺寸(mm)



# SUBMERGED SEWAGE PUMP

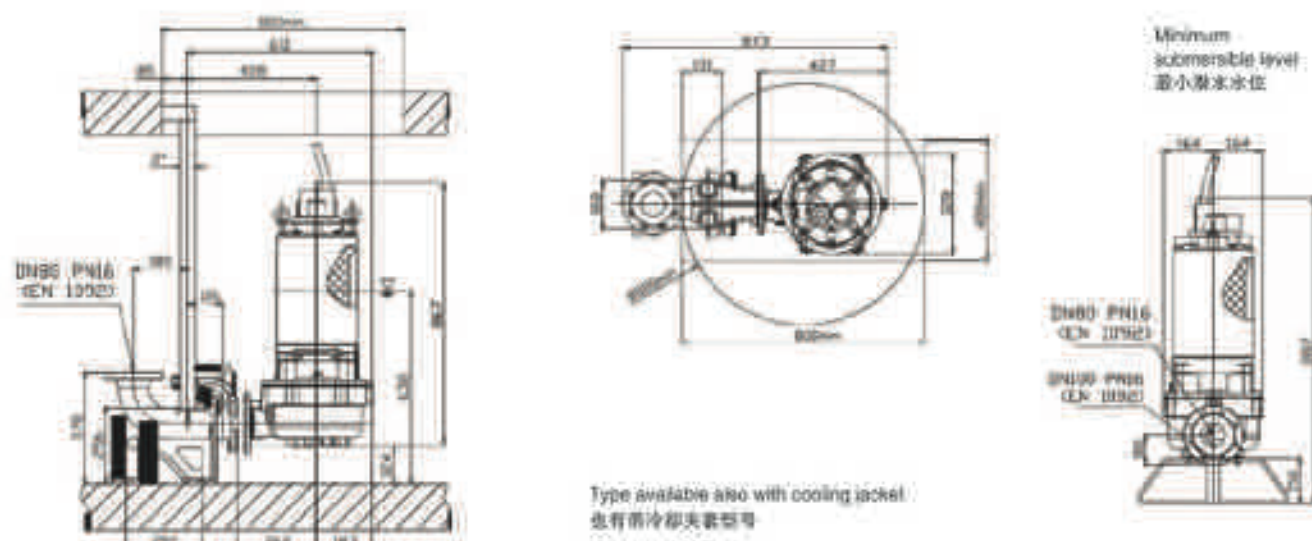
VQC / 铸铁污水泵

## VI、Performance Curve 性能曲线



电压	3ph 400/690V 50Hz	系列V	材料	型号	流量			ATEX 认证
每分钟转速	2850				额定流量 (Q) (m³/h)	额定流量 (A)	额定流量 (A)	ATEX 认证
自由扬程 (mm)	35	1	7000728	G213R6S1-M35AA2	16.8	29.8	176	7008829
接管直径 (mm)	DN 80	2	7001260	G213R6S2-M35AA2	16.8	29.8	176	7008836
最大重量 (Kg)	181	3	7001281	G213R6S3-M35AA2	18.2	32.6	192	7008835
		4	7001226	G213R6S4-M35AA2	16.8	29.8	176	7008838

## VII、Dimensions 尺寸(mm)



## SUBMERGED SEWAGE PUMP VQ SERIES

SUBMERGED  
PUMPS SEWAGE  
VQ

铸铁M型叶轮



## I、Application 应用

Submersible electric pumps single channel are used prevalently for the lifting of non corrosive dirty waters also with solid bodies in suspension. In particular for screened waste water and drainage of places subject to flooding, crude and activated sludge.

单通道电潜泵普遍用于提升非腐蚀性脏水以及含有悬浮固体的脏水。特别适用于过筛脏水以及洪涝、原油和活性污泥等地方的排水。

## II、Construction Data 结构数据

Submersible electric pumps, robust in construction, watertight electric motors accommodated in compartment, connected, by shafts of reduced lengths, to the impellers situated at the pump outlet by the interposition of oil chamber between the hydraulic side and the electric motor.

潜水电泵构造结实，电动机室防水密封，由短轴连接到泵壳内的泵轮上，润滑油室位于泵壳的液泵侧与电机之间。

## III、Materials 材料

Motor Housing	电机外壳	Cast Iron EN-GJL-250	铸铁 EN-GJL-250
Impeller	叶轮球墨铸铁	Cast-Iron EN-GJL-250+Ni	铸铁 EN-GJL-250+Ni
Electric Cable	电缆	Neoprene H07RNLF	氯丁橡胶 H07RNLF
Shaft	轴	Stainless Steel AISI 420B/431	不锈钢 AISI 420B
O-Rings And Lip Seal	O 形环和唇形密封	Nitrile	丁腈橡胶
Bolt	螺栓	A2 class - AISI 304	A2 类 - AISI 304
Mechanical Seal	机械密封	Silicon Carbide / Silicon Carbide	碳化硅/碳化硅

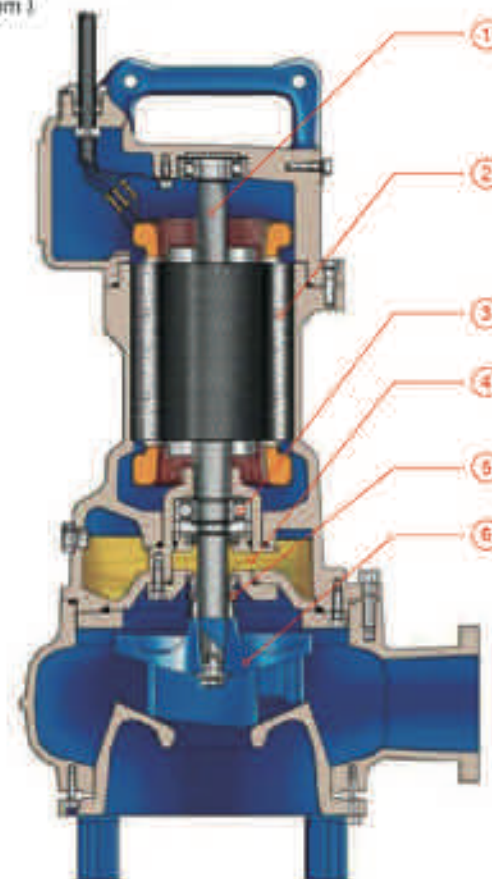
## SUBMERGED SEWAGE PUMP

VQC / 铸铁污水泵



## IV、Features 特点

Submersible electric pumps single channel 2 poles.  
潜水电泵单通道电机, 2极 (2800rpm)



- 1 Shafts** grinded down in ball bearings and mechanical seals seats, over-dimensioned respect to standard parameters of use.
  - 2 Motor** asynchronous three-phase squirrel cage type, insulation class H(180 ° C). Dry motor, cooled by surrounding liquid. Protection degree IP 68. The motor is projected for continuous or intermittent operation, with a maximum of 15 starts per hour at regular intervals. The motor is projected for working with 5% maximum voltage unbalance between phases.
  - 3 Ball bearings** overdimensioned, life lubricated, maintenance free.
  - 4 Oil chamber** oil lubricates and cools the seals and emulsifies eventual water infiltrations. This electric pump has two types of seals for a perfect insulation between the electric motor and the pumped liquid. Upper seal: lip seal NBR.
  - 5 Lower seal:** mechanical, silicon carbide.
  - 6 Impellers** are projected in order to guarantee and assure an high hydraulic efficiency and low power consumption, they have big inter-blades and diffuser free passages, minimum blades number, special blades design, especially diffusers' water-cutter blades designed to avoid filamentous materials catching.
- 1 轴**球轴承压入，机械密封座，尺寸大于标准使用参数。  
**2 异步电机**三相鼠笼型，绝缘等级 H(180 ° C)，干电机，由周围液体冷却，防护等级 IP 68，电机用于连续或间歇运行，按固定时间间隔每小时最多启动 15 次，电机用于相间电压不平衡最大为 5% 的工作环境。  
**3 大尺寸滚珠轴承**，长效润滑，免维护。  
**4 润滑油室**油润滑和冷却密封件并能防止水渗透，该电泵有两种类型密封件，可在电动机和泵送的液体之间完美绝缘。  
顶部密封：唇式密封（丁腈橡胶）。  
**5 底部密封**机械密封，碳化硅密封。  
**6 泵轮**用于保证和确保高液力效率，低功耗，泵轮有大内叶片和扩压器自由通道，最小叶片数，特殊的叶片设计，特别是扩压器的水刀刀片设计，可避免纤维材料缠绕。

VQ

D

V

S

M

H

C

T

P

XD

XV

XC

XT

BQ

BV

BC

Installation

Vx

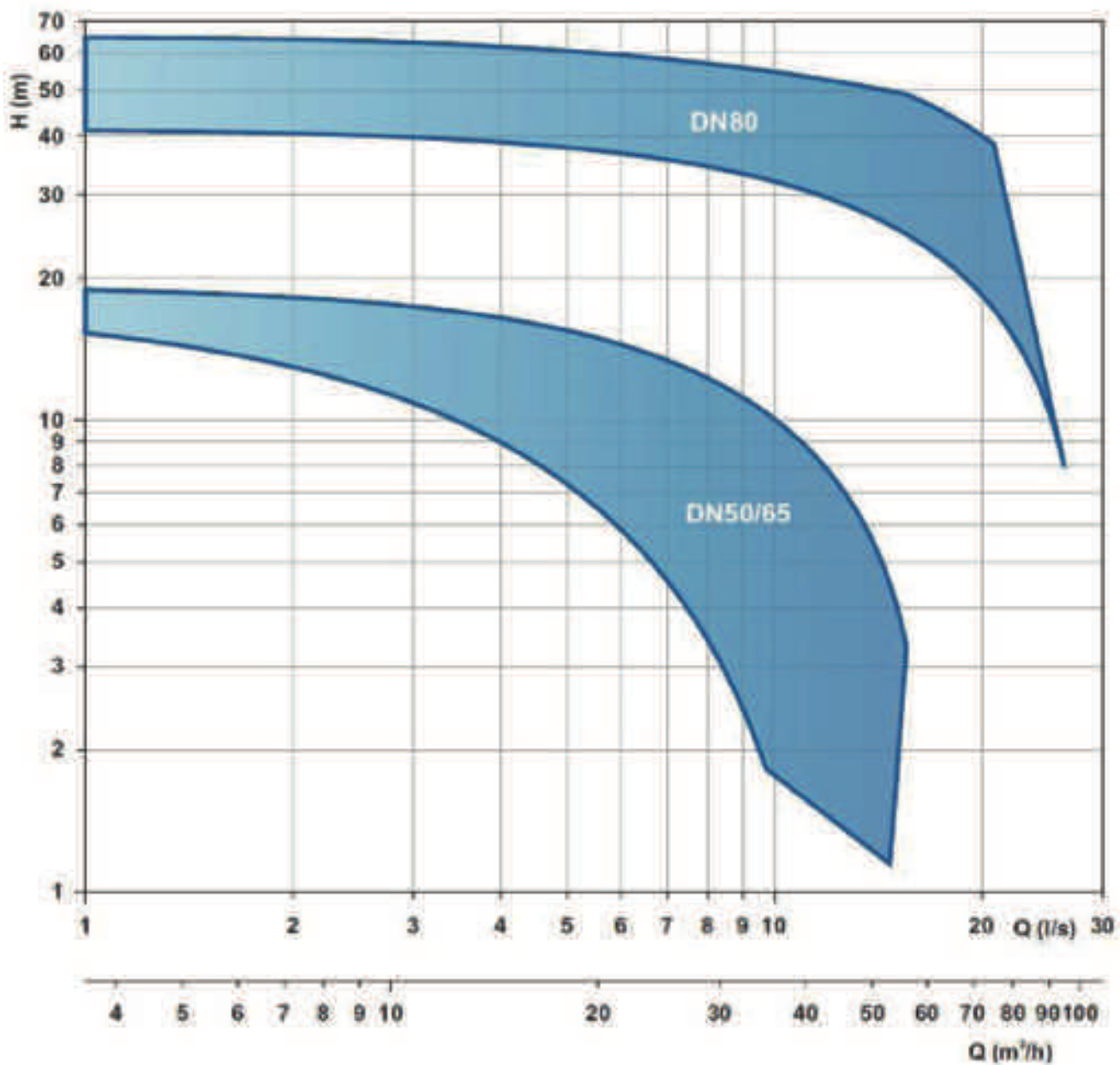
VW

附录

# SUBMERGED SEWAGE PUMP

VQC / 铸铁污水泵

## V、Submersible Electric Pumps Single Channel 2 Poles 潜水单流道电泵/2极 (2900rpm)

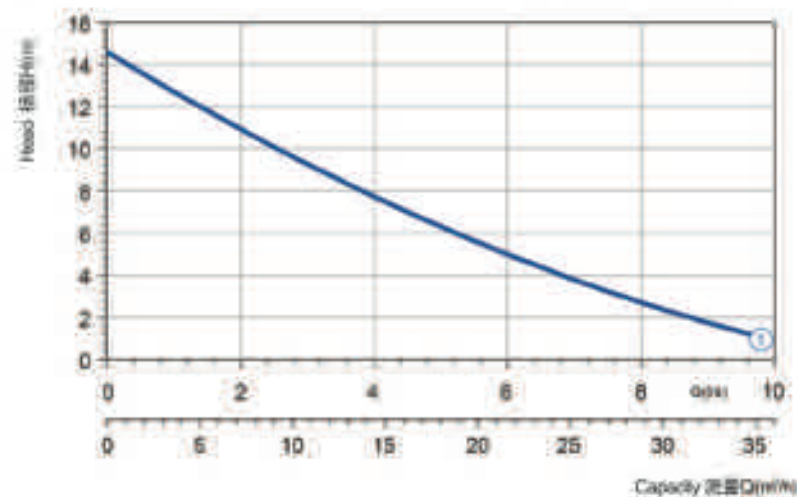


Technical data sheets are available on our web site [www.u-flo.com](http://www.u-flo.com)  
技术数据表可访问我们的网站获取: [www.u-flo.com](http://www.u-flo.com)

# SUBMERGED SEWAGE PUMP

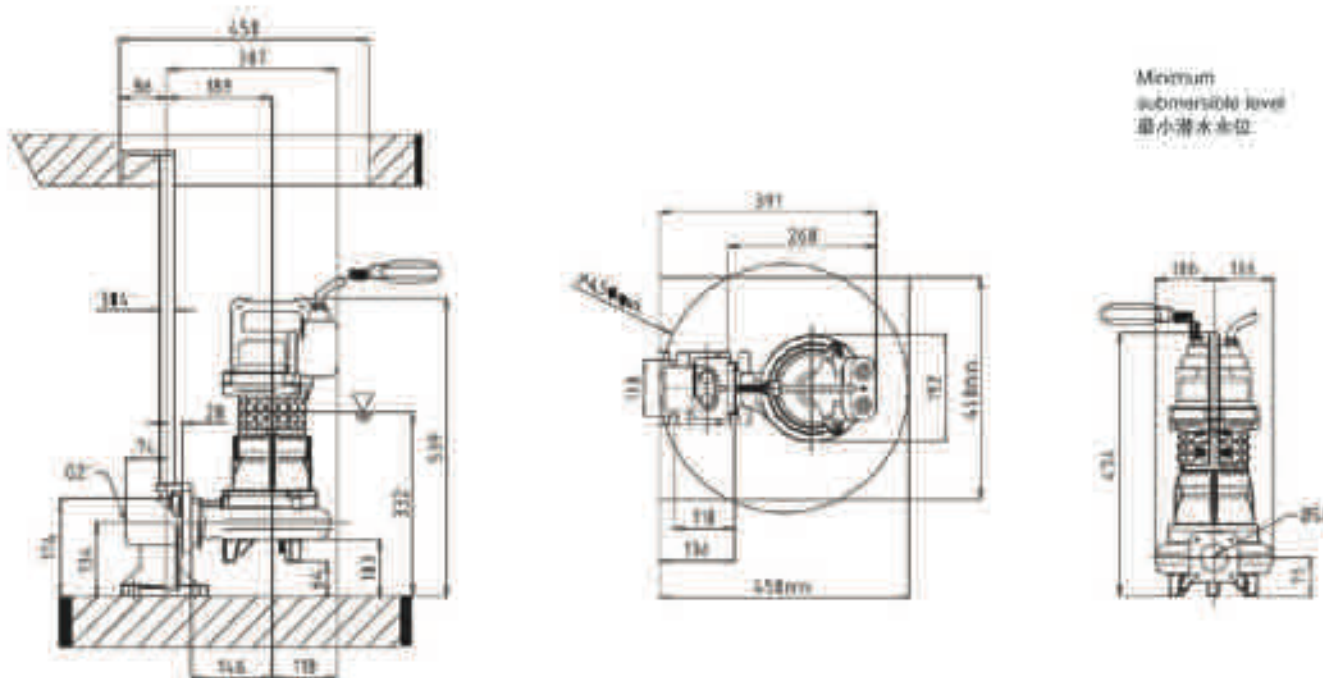
VQC / 铸铁污水泵

## VI、Performance Curve 性能曲线



规格	1台 200W 50Hz	品牌	系列	型号	电压	额定功率P2 (kW)	额定电流(A)	启动电流(Ia)	ATEX 认证
每分钟转速	2900	1	7000394	G272M1M2-K30AB1	1.4	0.4	31.1	-	
自由口径 (mm)	50								
排量口径 (mm)	DN 50								
最大重量 (Kg)	31								

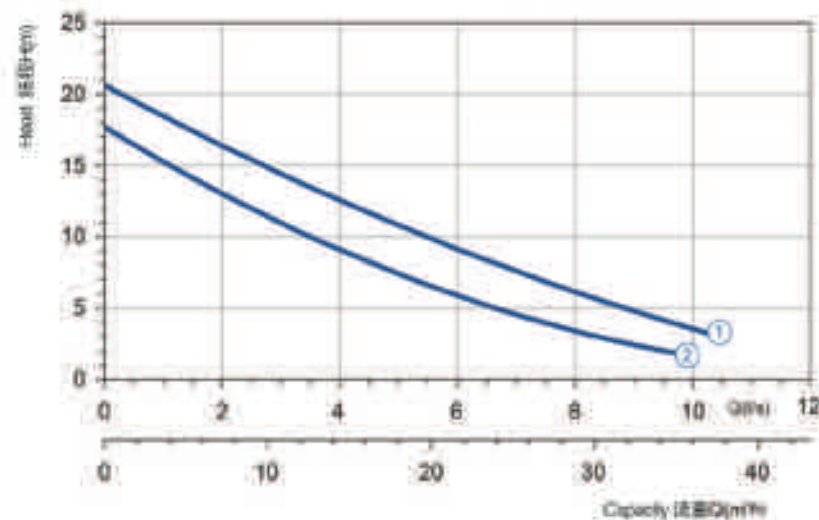
## VII、Dimensions 尺寸(mm)



# SUBMERGED SEWAGE PUMP

VQC / 铸铁污水泵

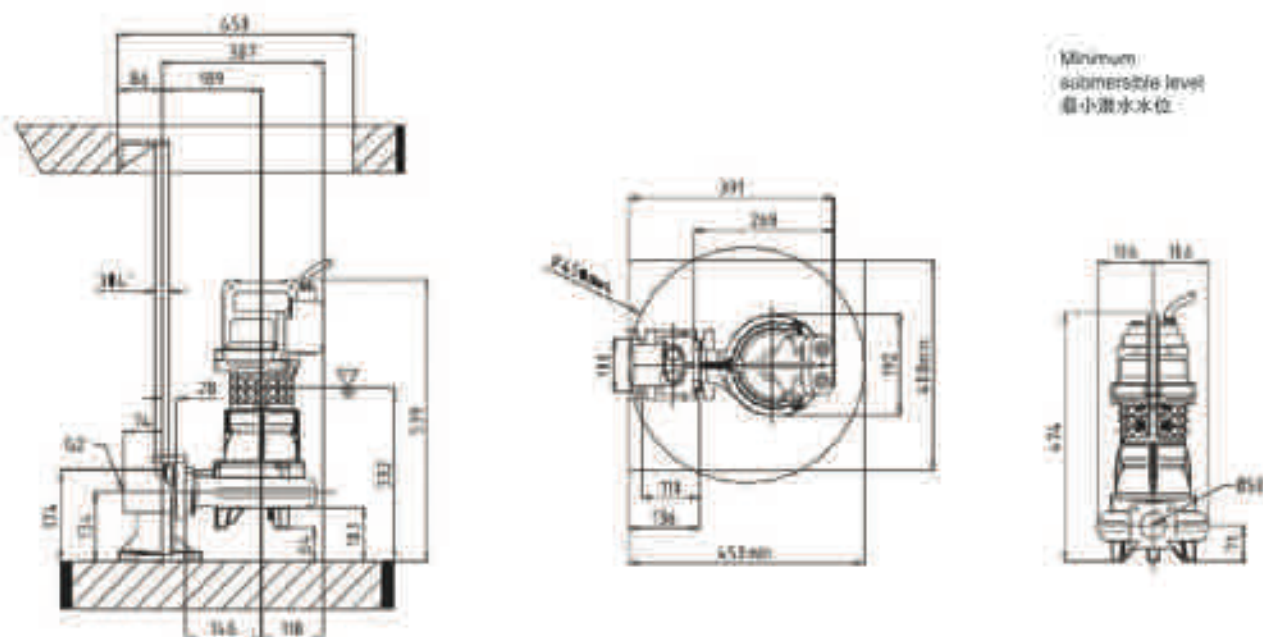
## VI、Performance Curve 性能曲线



电压	3ph 400V 50Hz
每分钟转速	2850
自由通道 (mm)	30
接管直径 (mm)	DN 50
最大重量 (Kg)	31

电压	代码	型号	额定功率P2 (kW)	额定流量Q (m³/h)	启动电流I (A)	ATEX 认证
1	700002	G272T1M1-K30AA0	1.8	3.8	20.7	-
2	700016	G272T1M2-K30AA0	1.8	3.8	20.7	-

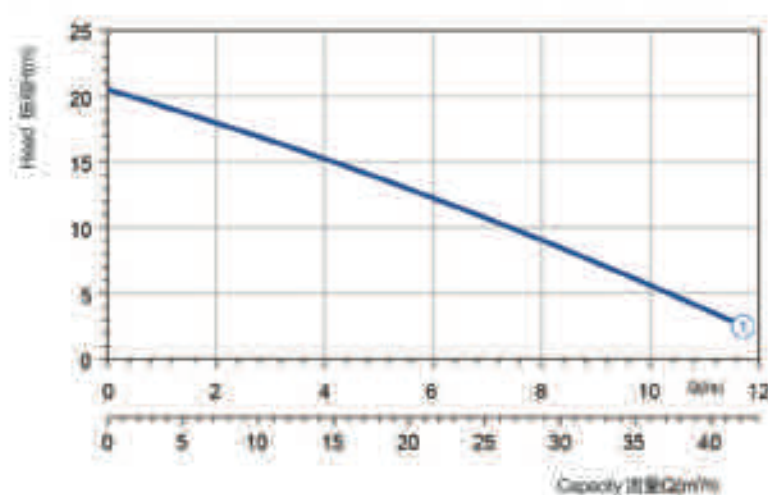
## VII、Dimensions 尺寸(mm)



# SUBMERGED SEWAGE PUMP

VQC / 铸铁污水泵

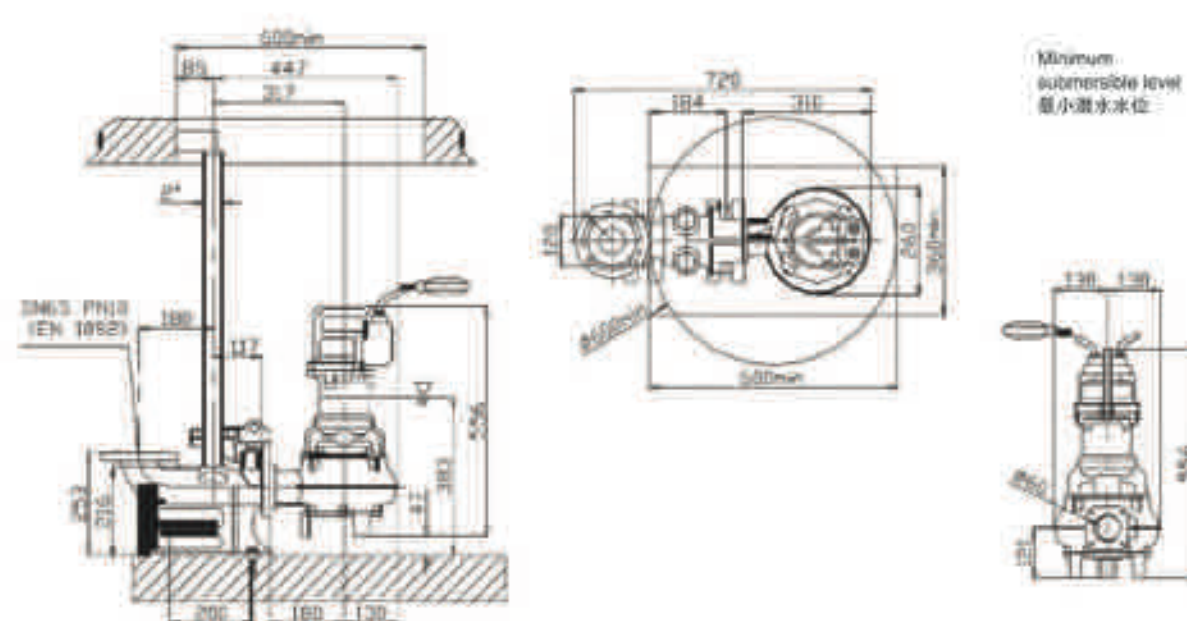
## VI、Performance Curve 性能曲线



电压	1ph 230V 50Hz
每分钟转速	2850
自由通道 (mm)	30
接管直径 (mm)	DN 65
最大重量 (Kg)	42

电压	代码	型号	额定功率P2 (kW)	额定流量Q (m³/h)	启动电流I (A)	ATEX 认证
1	700222	G271M1M1-L30AB1	1.5	8	33.3	7002612

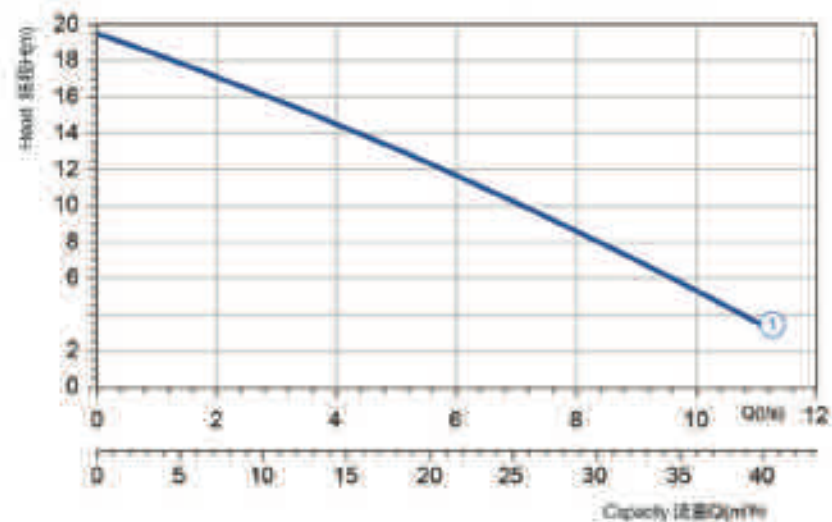
## VII、Dimensions 尺寸(mm)



# SUBMERGED SEWAGE PUMP

VQC / 铸铁污水泵

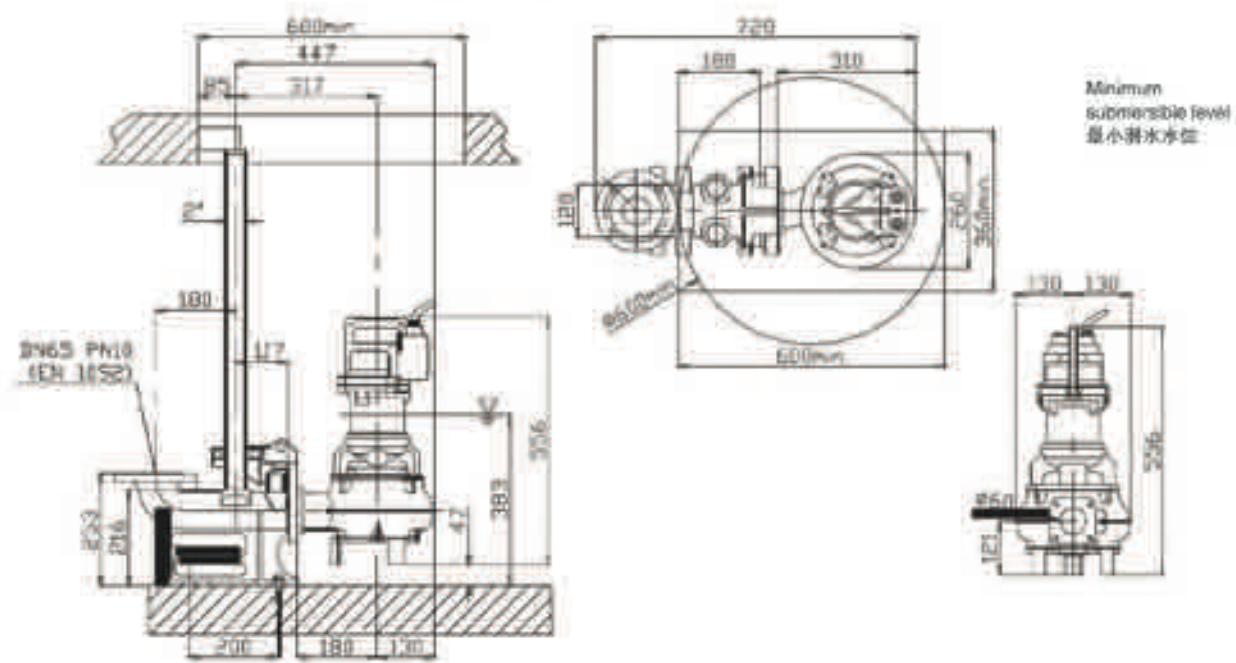
## VI、Performance Curve 性能曲线



电压	3ph 400V 50Hz
每分钟转速	2850
自由扬程 (mm)	30
接管直径 (mm)	DN 65
最大重量 (Kg)	42

电压	ATEx 认证
1 7002043 G27/T1M1-L30AA0	1.8 3.1 15.2 7009113

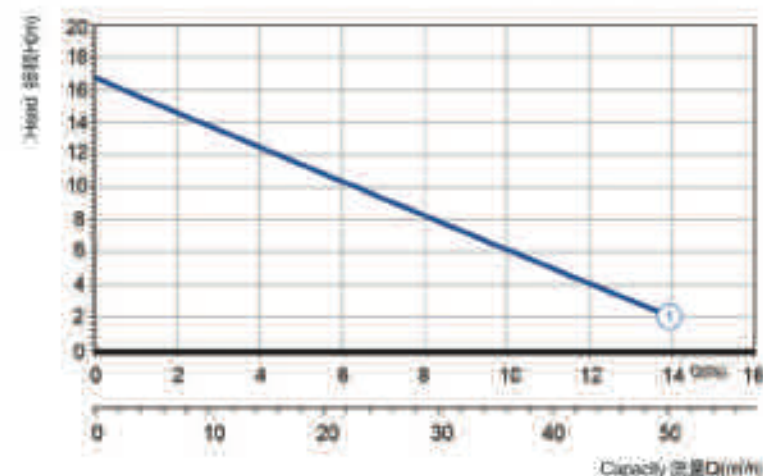
## VII、Dimensions 尺寸(mm)



# SUBMERGED SEWAGE PUMP

VQC / 铸铁污水泵

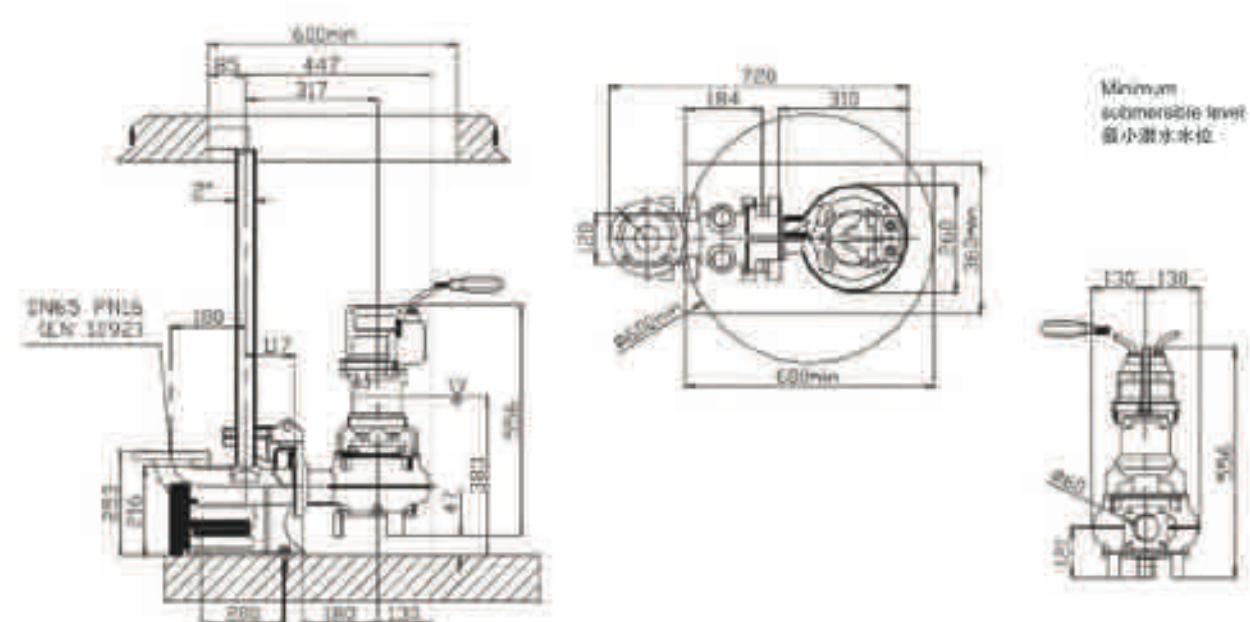
## VI、Performance Curve 性能曲线



电压	1ph 230V 50Hz
每分钟转速	2850
自由扬程 (mm)	40
接管直径 (mm)	DN 65
最大重量 (Kg)	45

电压	ATEx 认证
1 7006372 G27/MIM2-L40AB1	1.8 11.4 62.7 7006651

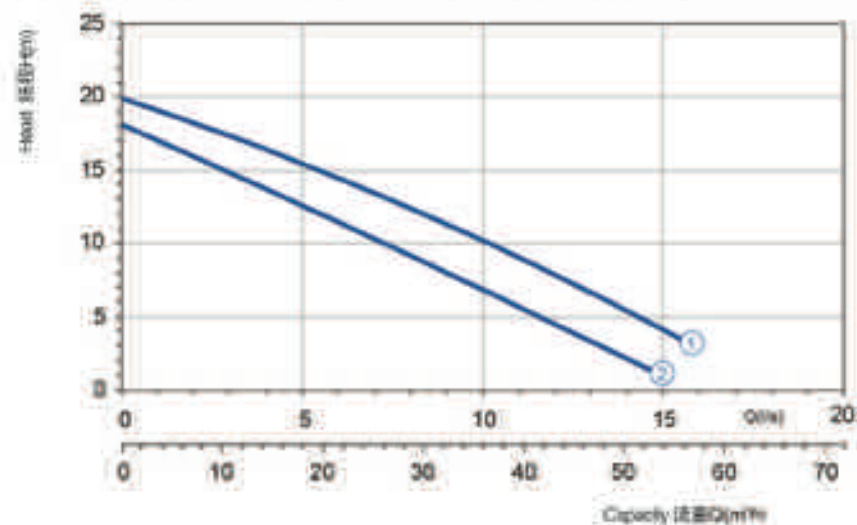
## VII、Dimensions 尺寸(mm)



# SUBMERGED SEWAGE PUMP

VQC / 铸铁污水泵

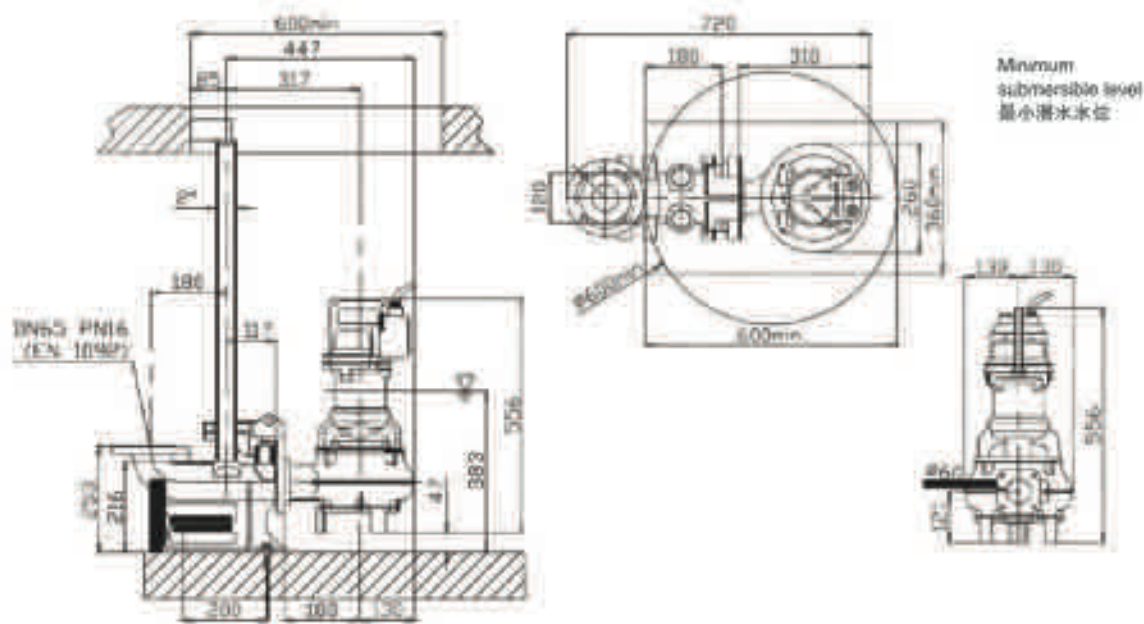
## VI、Performance Curve 性能曲线



电压	3ph 400V 50Hz
每分钟转速	2850
自由通道 (mm)	40
接管直径 (mm)	DN 80
最大重量 (Kg)	45

电压	代码	型号	额定功率P2 (kW)	额定流量Q (m³/h)	额定电压U (V)	ATEX 认证号
1	7005029	G27T1M1-L40AA0	2.4	4.5	25.8	1005008
1	7005453	G27T1M2-L40AA0	2.4	4.5	26.6	1005797

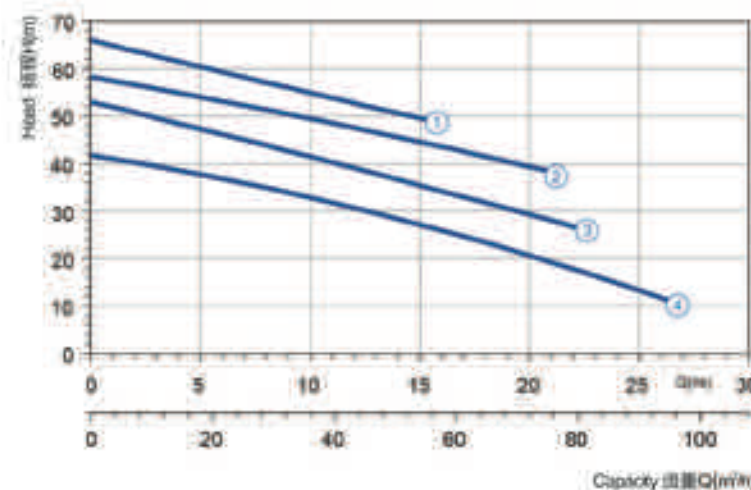
## VII、Dimensions 尺寸(mm)



# SUBMERGED SEWAGE PUMP

VQC / 铸铁污水泵

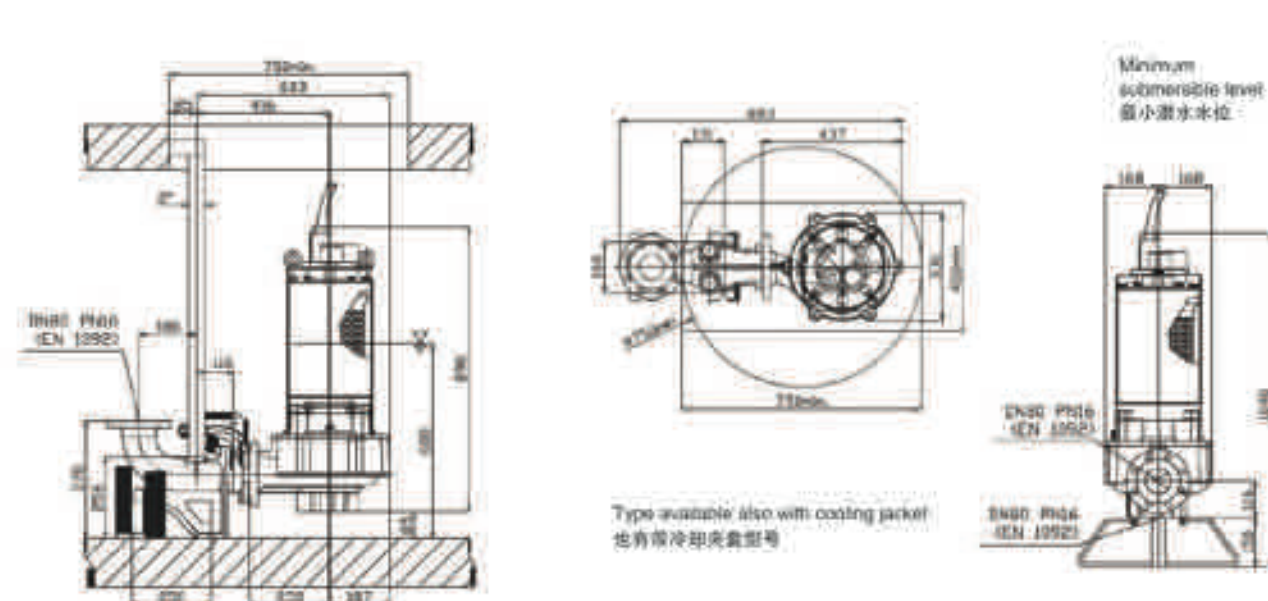
## VI、Performance Curve 性能曲线



电压	3ph 400V 50Hz
每分钟转速	2850
自由通道 (mm)	40
接管直径 (mm)	DN 80
最大重量 (Kg)	195

电压	代码	型号	额定功率P2 (kW)	额定流量Q (m³/h)	额定电压U (V)	ATEX 认证号
1	7001170	G213R1M1-M40AA2	18.2	32.6	192	7007466
2	7009292	G213R1M5-M40AA2	16.8	29.8	176	7007488
3	7008358	G213R1M2-M40AA2	13.8	24.8	146	7007465
4	7009030	G213R1M3-M40AA2	13.8	24.8	146	7007467

## VII、Dimensions 尺寸(mm)



- VG
- D
- V
- S
- M
- H
- C
- T
- P
- XD
- XV
- XC
- XT
- BQ
- BV
- BC
- Installation
- Vx
- VW
- 附录

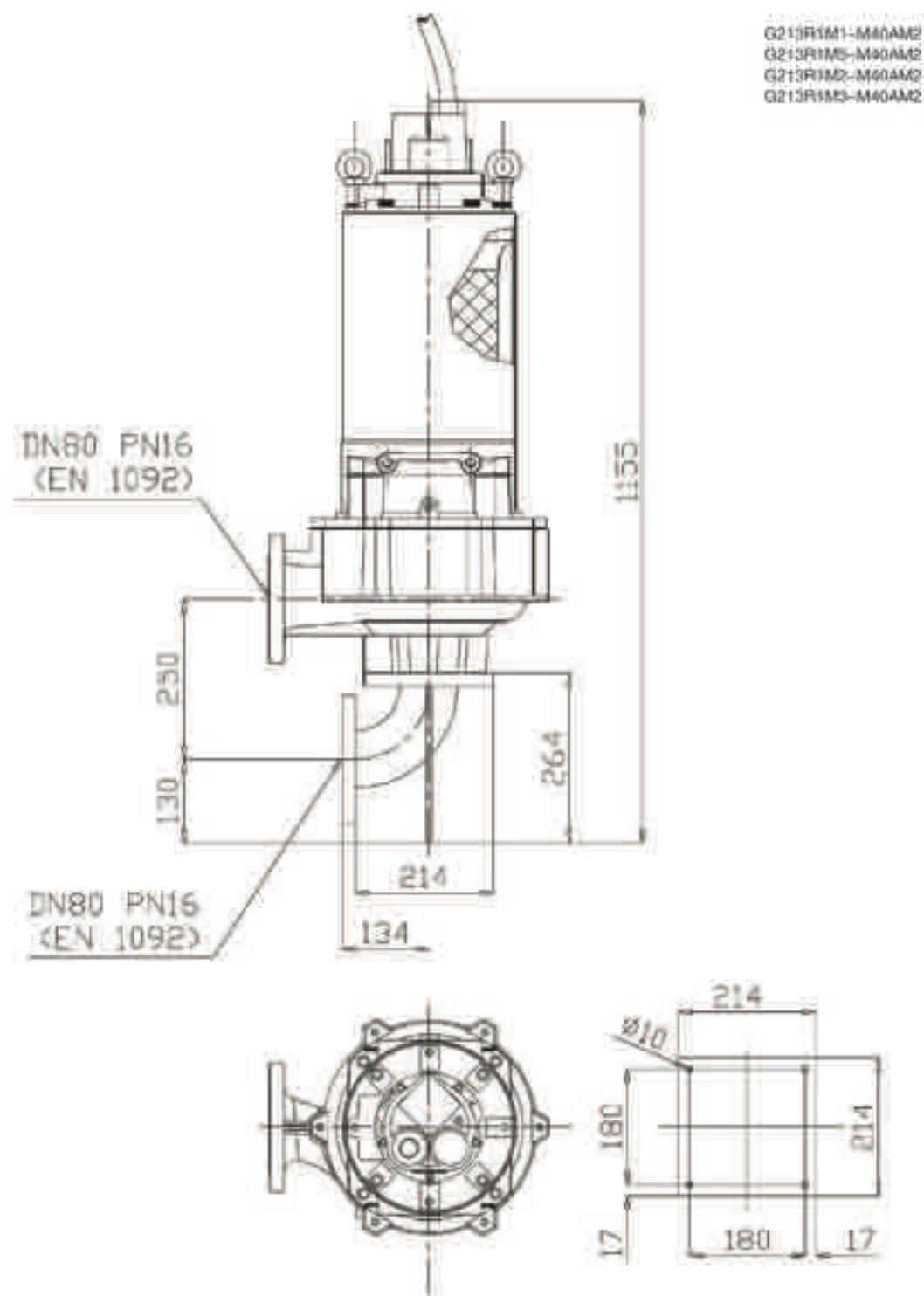


# SUBMERGED SEWAGE PUMP

VQC / 铸铁污水泵

SUBMERGED SEWAGE PUMP VQ SERIES

## VII、Dry Pit Installation 干坑安装



# SUBMERGED PUMPS SEWAGE



铸铁M型叶轮



## I、Application 应用

Submersible electric pumps single channel are used prevalently for the fitting of non corrosive dirty waters also with solid bodies in suspension. In particular for screened waste water and drainage of places subject to flooding, crude and activated sludge.

单流道电潜泵普遍用于提升非腐蚀性污水以及含有悬浮固体的废水。特别适用于过滤废水以及洪涝、原油和活性污泥等地方的排水。

## II、Construction Data 结构数据

Submersible electric pumps, robust in construction, watertight electric motors accommodated in compartment, connected, by shafts of reduced lengths, to the impellers situated at the pump casing by the interposition of oil chamber between the hydraulic side and the electric motor.

潜水电泵构造结实，电动马达室防水密封，由短轴连接到泵壳内的泵轮上，润滑油室位于泵壳的液压侧与电机之间。

## III、Materials 材料

Motor Housing	电机外壳	Cast Iron EN-GJL-250	铸铁 EN-GJL-250
Impeller	叶轮球形外壳	Cast Iron EN-GJL-250+Ni	铸铁 EN-GJL-250+镍
Electric Cable	电缆	Neoprene H07RN-F	氟丁橡胶 H07RN-F
Shaft	轴	Stainless Steel AISI 420B/431	不锈钢 AISI 420B
O-Rings And Lip Seal	O形环和唇形密封	Nitrile	丁腈橡胶
Bolt	螺栓	A2 class - AISI 304	A2 类 - AISI 304
Mechanical Seal	机械密封	Silicon Carbide / Silicon Oxide	碳化硅/氧化硅

VQ

D

V

S

M

H

C

T

P

XD

XV

XC

XT

BD

BV

BC

Installation

Vx

VW

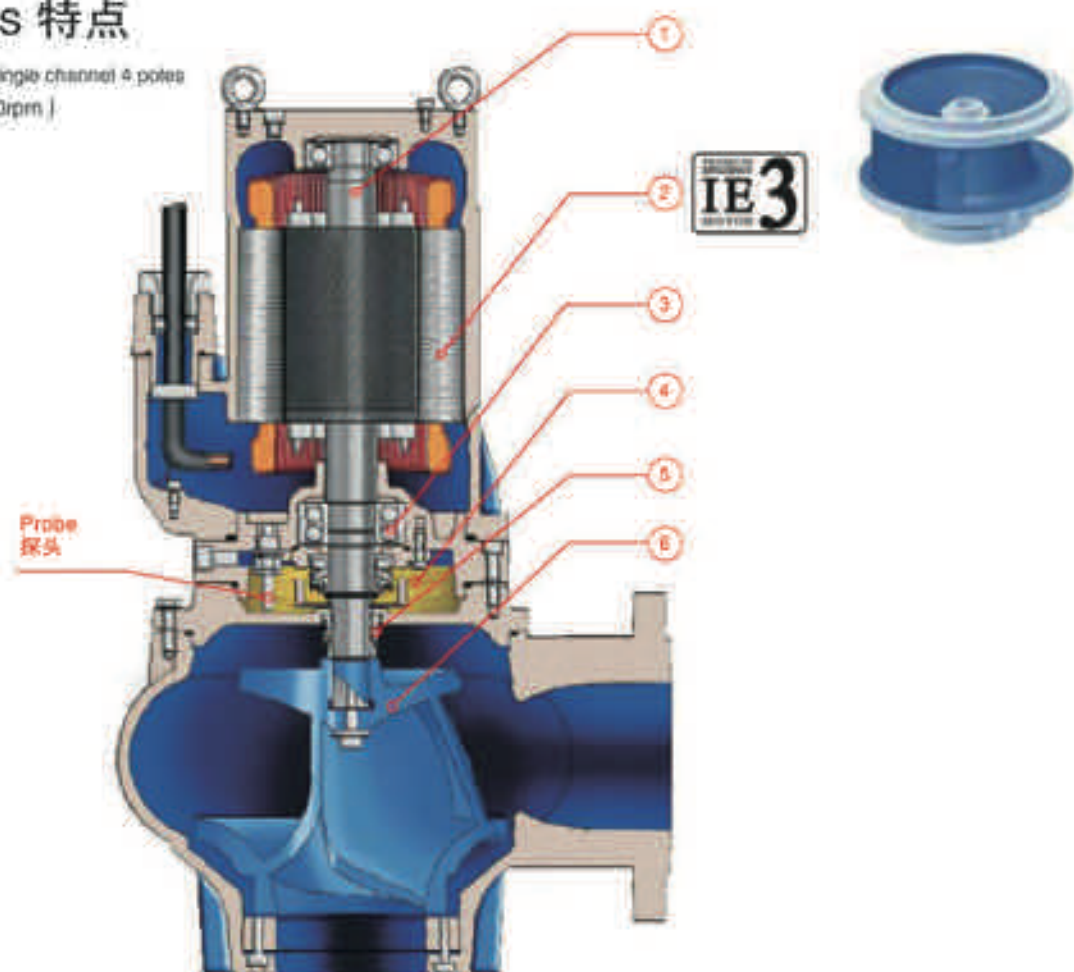
附页

# SUBMERGED SEWAGE PUMP

VQC / 铸铁污水泵

## IV、Features 特点

Submersible electric pumps single channel 4 poles  
潜水单流道电泵 (4极 | 1450rpm)



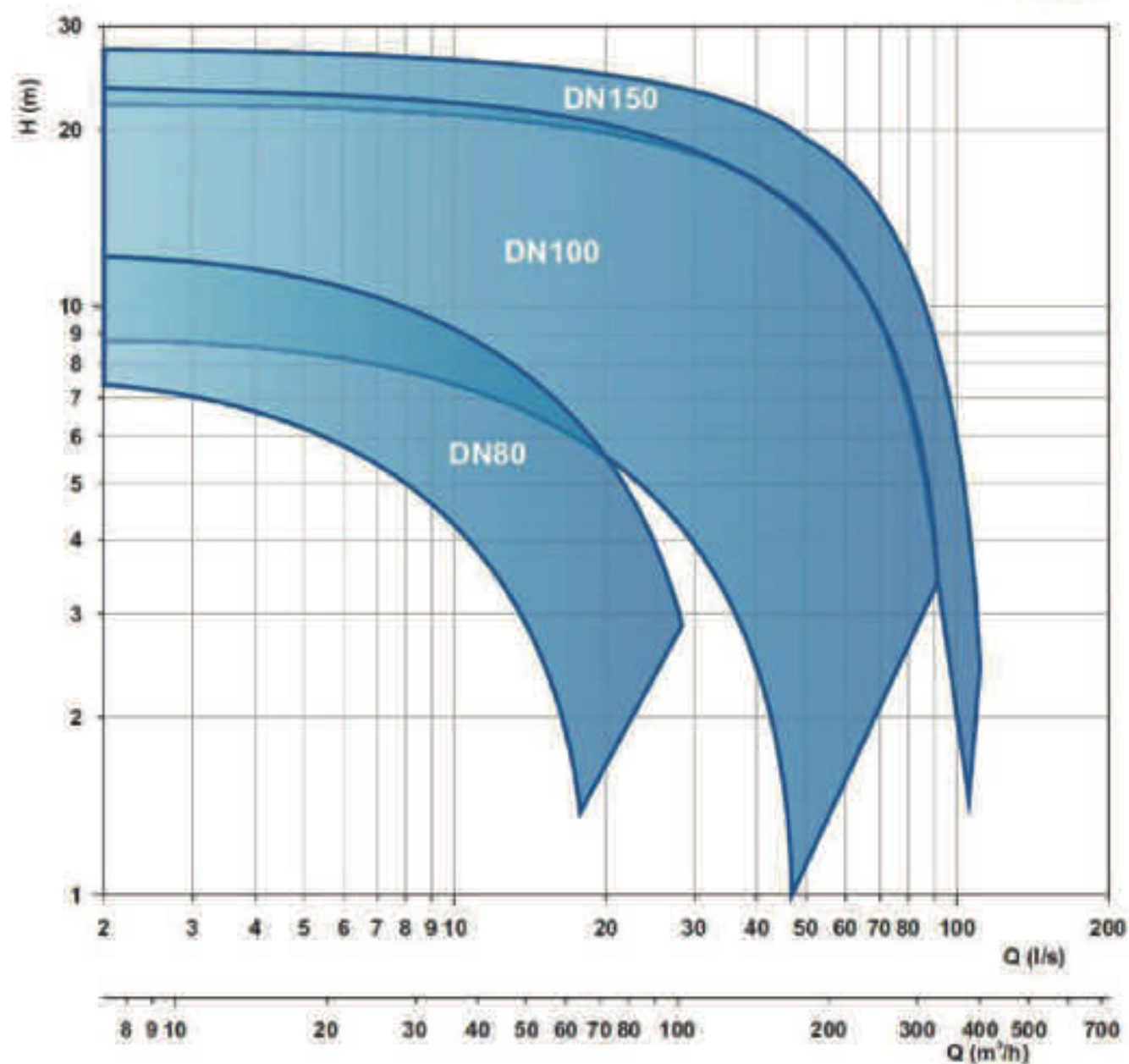
- 1 **Shafts** grinded down in ball bearings and mechanical seals seats, over-dimensioned respect to standard parameters of use.
  - 2 **Motor** asynchronous three-phase squirrel cage type, insulation class H(180 ° C). Dry motor, cooled by surrounding liquid. Protection degree IP 68. The motor is projected for continuous or intermittent operation, with a maximum of 15 starts per hour at regular intervals. The motor is projected for working with 5% maximum voltage unbalance between phases.
  - 3 **Ball bearings** overdimensioned, life lubricated, maintenance free.
  - 4 **Oil chamber** oil lubricates and cools the seals and emulsifies eventual water infiltrations. This electric pump has two types of seals for a perfect insulation between the electric motor and the pumped liquid. Upper seal: Ceramic/Graphite.
  - 5 **Lower seal**: mechanical, silicon carbide.
  - 6 **Impellers** are projected in order to guarantee and assure an high hydraulic efficiency and low power consumption, they have big litter-blades and diffuser free passages, minimum blades number, special blades design, especially "diffusers" water-cutter blades designed to avoid filamentous materials catching.
- 1 轴深球轴承压入、机械密封座，尺寸大于标准使用参数。
- 2 异步电机三相鼠笼型，绝缘等级 H(180 ° C)、干电机，由周围液体冷却，防护等级 IP 68。电机用于连续或间歇运行，按固定时间间隔每小时最多启动 15 次。电机用于相间电压不平衡最大为 5% 的工作环境。
- 3 大尺寸深球轴承，长效润滑，免维护。
- 4 润滑油室 油润滑和冷却密封件并溶解乳化水渗透。该泵有两种类型密封件，可在电动机和泵送的液体之间完美绝缘。  
上部密封：陶瓷 / 石墨。
- 5 底部密封：机械密封，碳化硅密封。
- 6 泵轮用于保证和确保高水力效率、低功耗。泵轮有大内叶片和扩压器自由通道，最小叶片数，特殊的叶片设计，特别是扩压器的水刀叶片设计，可避免丝状材料缠绕。

# SUBMERGED SEWAGE PUMP

VQC / 铸铁污水泵

## V、Submersible Electric Pumps Single Channel 4 Poles

潜水单流道电泵/4极 (1450rpm)

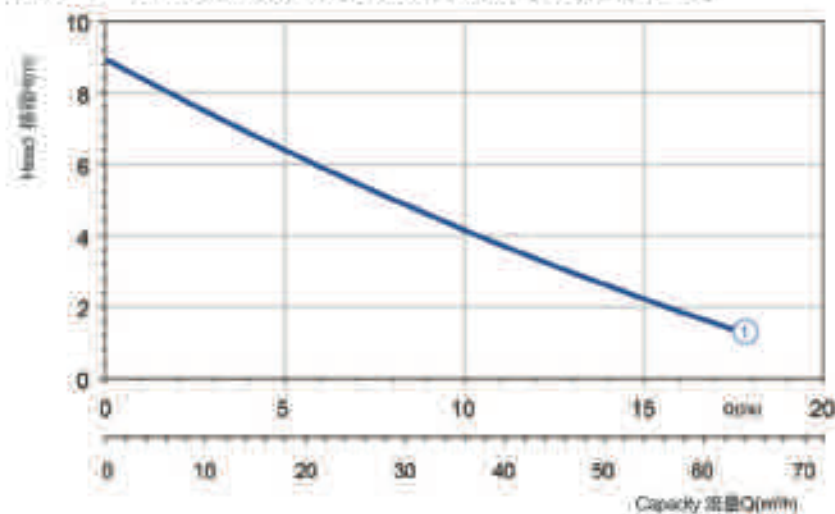


Technical data sheets are available on our web site [www.u-flo.com](http://www.u-flo.com)  
技术数据表可访问我们的网站获取: [www.u-flo.com](http://www.u-flo.com)

# SUBMERGED SEWAGE PUMP

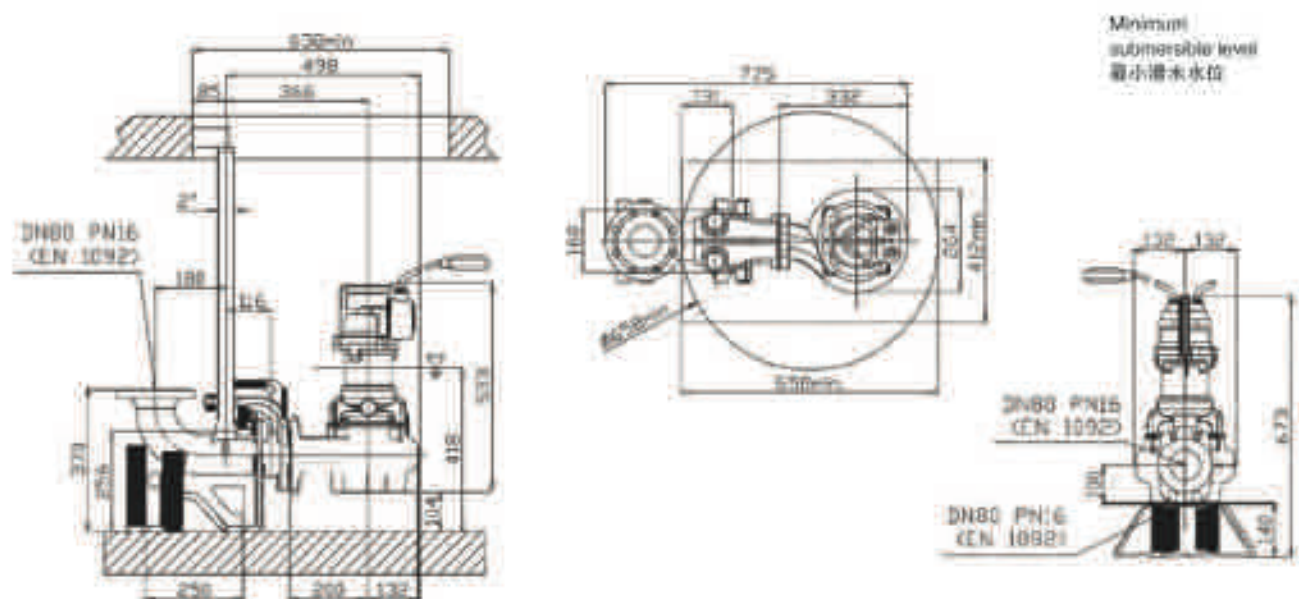
VQC / 铸铁污水泵

## VI、Performance Curve 性能曲线



电压	1ph 230V 50Hz	电动机	材料	型号	电机	ATEX 认证号
每分钟转速	1450				额定功率P2 (kW)   额定电流(A)   启动电流Ia(A)	
自由通道 (mm)	65	1	7004188	G471M1M1-M55AB1	1.2   6.9   34.5	7004187
排量直径 (mm)	DN 80					
最大重量 (Kg)	49					

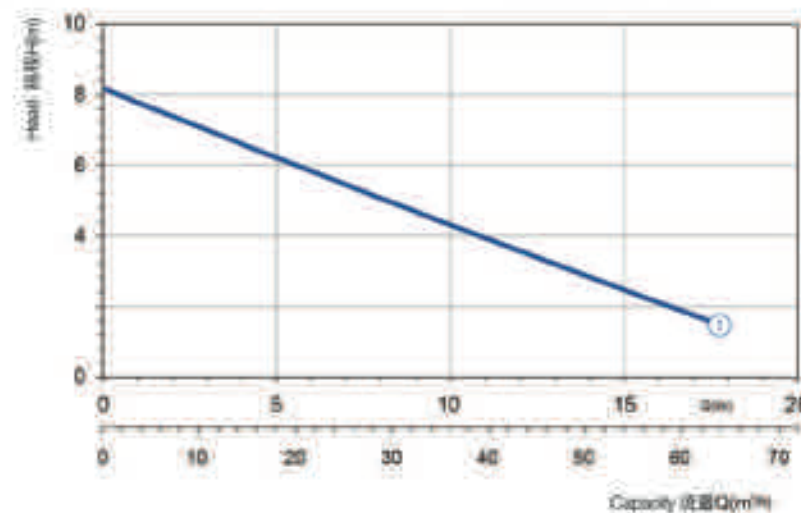
## VII、Dimensions 尺寸(mm)



# SUBMERGED SEWAGE PUMP

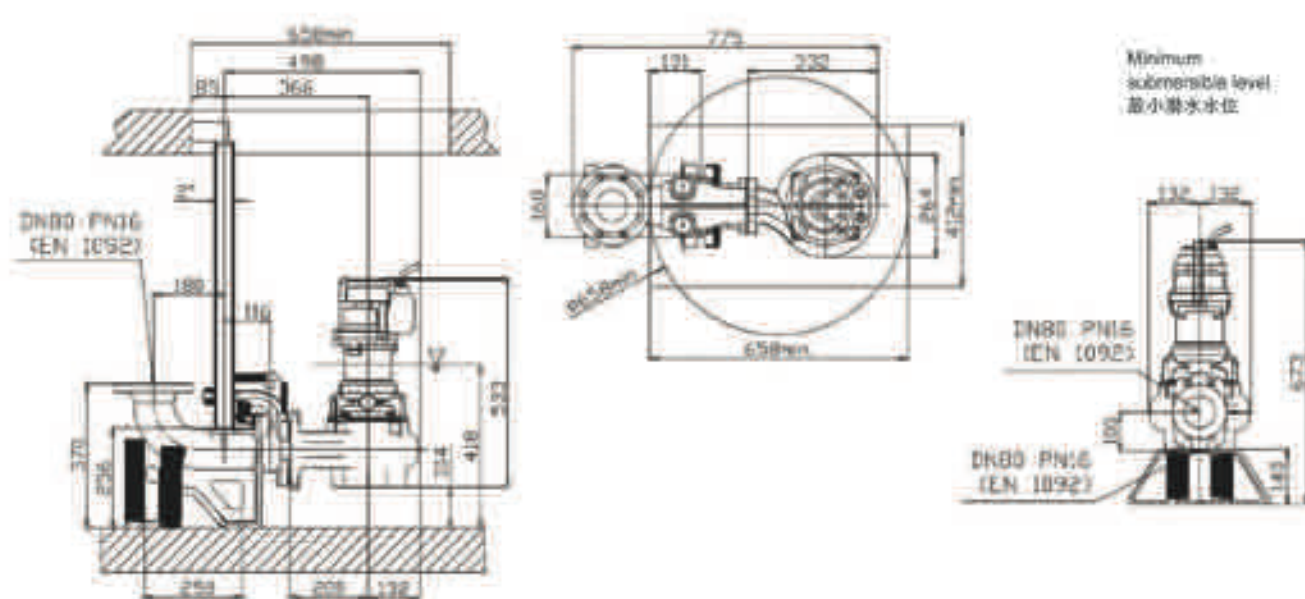
VQC / 铸铁污水泵

## VI、Performance Curve 性能曲线



电压	3ph 400V 50Hz	电动机	材料	型号	电机	ATEX 认证号
每分钟转速	1450				额定功率P2 (kW)   额定电流(A)   启动电流Ia(A)	
自由通道 (mm)	65	1	7003550	G471T1M1-M55AA0	1.6   3.1   14	7004188
排量直径 (mm)	DN 80					
最大重量 (Kg)	49					

## VII、Dimensions 尺寸(mm)

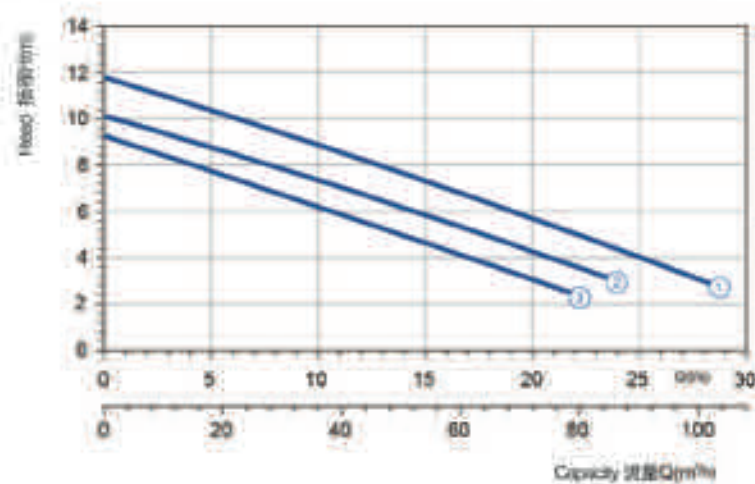


- VG
- D
- V
- S
- M
- H
- C
- T
- P
- XD
- XV
- XC
- XT
- BQ
- BV
- BC
- Installation
- Vx
- VW
- 附录

# SUBMERGED SEWAGE PUMP

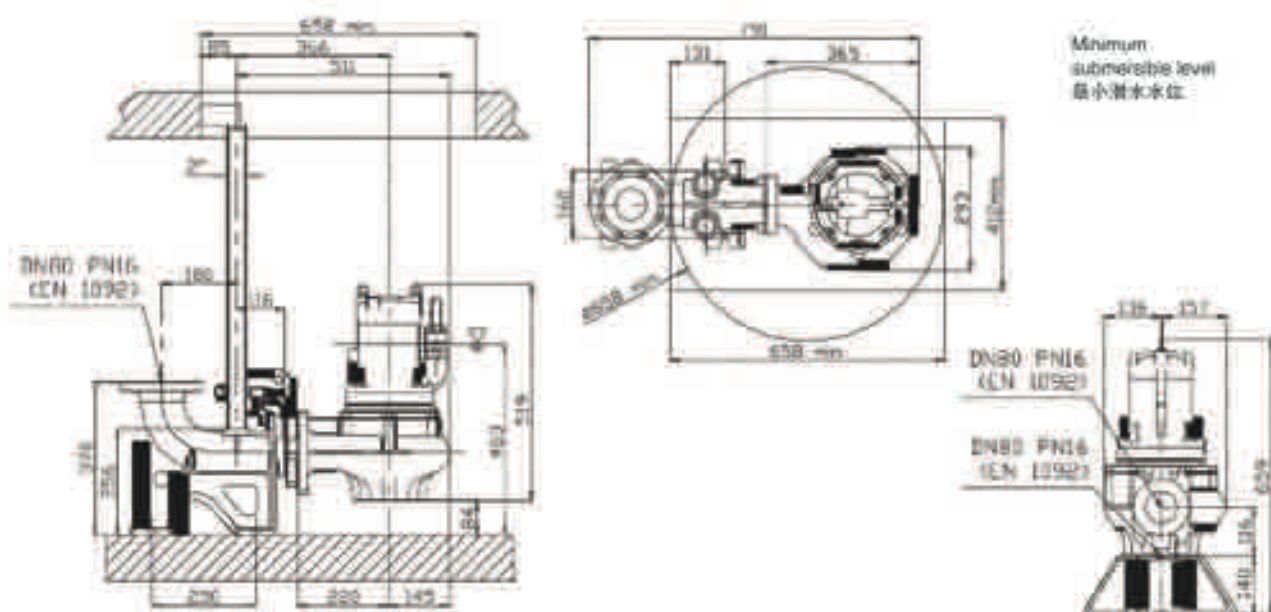
VQC / 铸铁污水泵

## VI、Performance Curve 性能曲线



电压	3ph 400V 50Hz	系列号	材料	型号	流量			ATEX 认证号
每分钟转速	1450				额定流量 (Q) (m³/h)	额定流量 (A)	额定流量 (B)	
自由扬程 (m)	65	1	7008184	G409T1M1-M65AA0	2.8	5.4	24.3	7002792
接管直径 (mm)	DN 80	2	7005464	G409T1M2-M65AA0	2.3	4.4	19.8	7000958
最大重量 (Kg)	57	3	7002522	G409T1M3-M65AA0	1.9	3.7	16.7	7000799

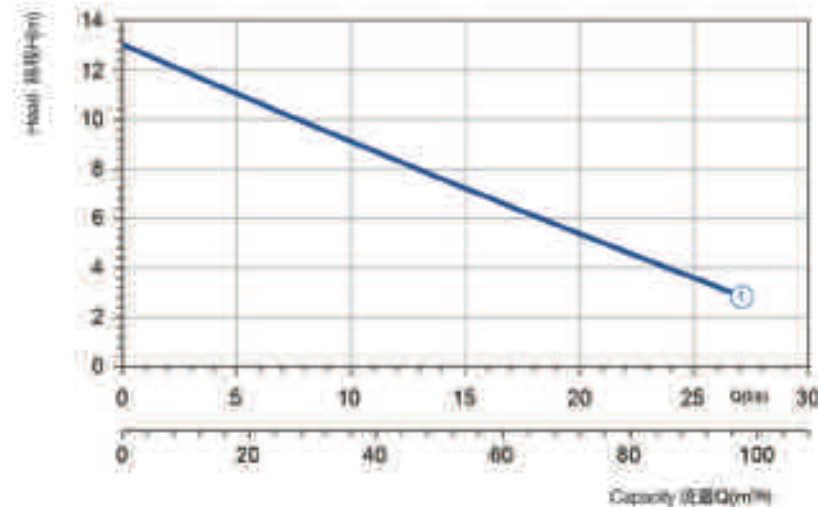
## VII、Dimensions 尺寸(mm)



# SUBMERGED SEWAGE PUMP

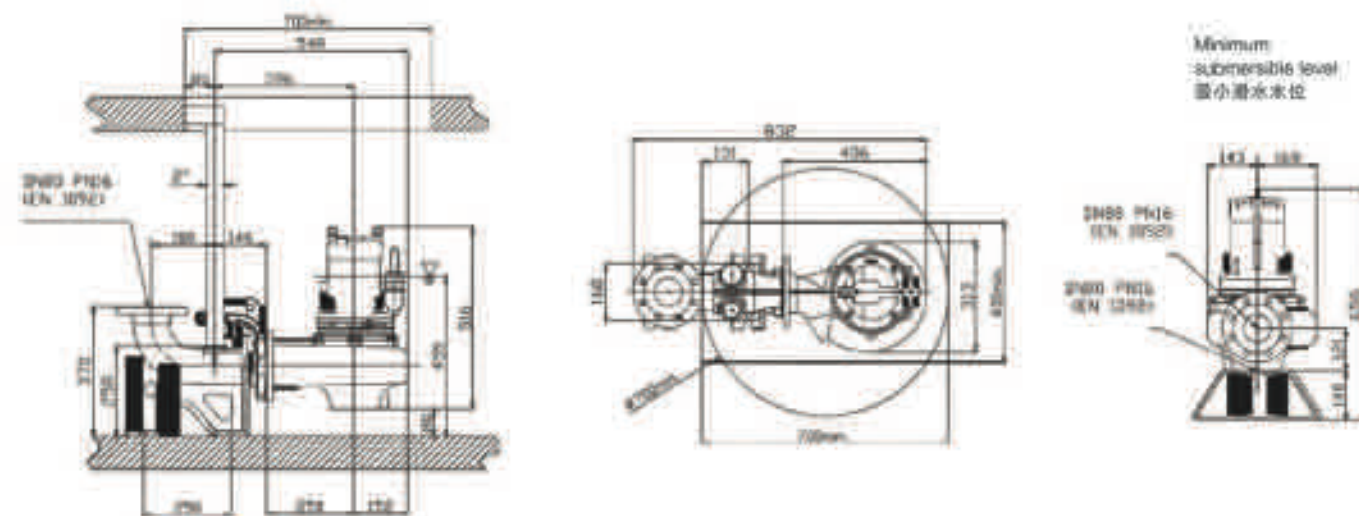
VQC / 铸铁污水泵

## VI、Performance Curve 性能曲线



电压	3ph 400V 50Hz	系列号	材料	型号	流量			ATEX 认证号
每分钟转速	1450				额定流量 (Q) (m³/h)	额定流量 (A)	额定流量 (B)	
自由扬程 (m)	76	1	7003521	G409T1M1-M76AA0	2.8	5.4	24.3	7008282
接管直径 (mm)	DN 80							
最大重量 (Kg)	57							

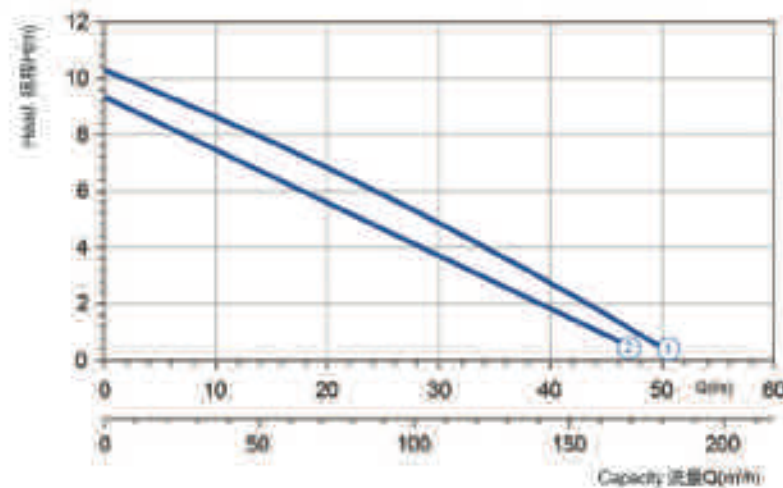
## VII、Dimensions 尺寸(mm)



# SUBMERGED SEWAGE PUMP

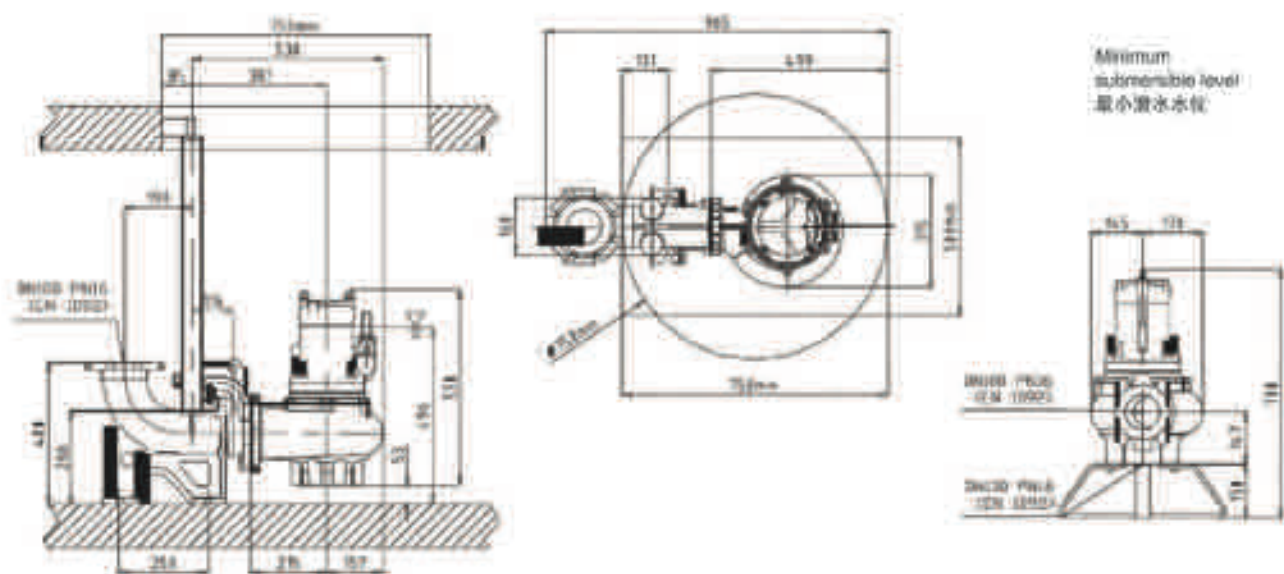
VQC / 铸铁污水泵

## VI、Performance Curve 性能曲线



电压	3ph 400V 50Hz	系列号	材料	型号	电压	额定功率 (kW)	额定电流 (A)	启动电流 (A)	ATEX 认证号
每分钟转速	1450	1	7000218	G409T1M1-P90AA0	3.2	6.2	27.9	7007626	
自由扬程 (mm)	90	2	7000415	G409T1M2-P90AA0	2.8	5.4	24.3	7007627	
接管直径 (mm)	DN 100								
最大重量 (Kg)	57								

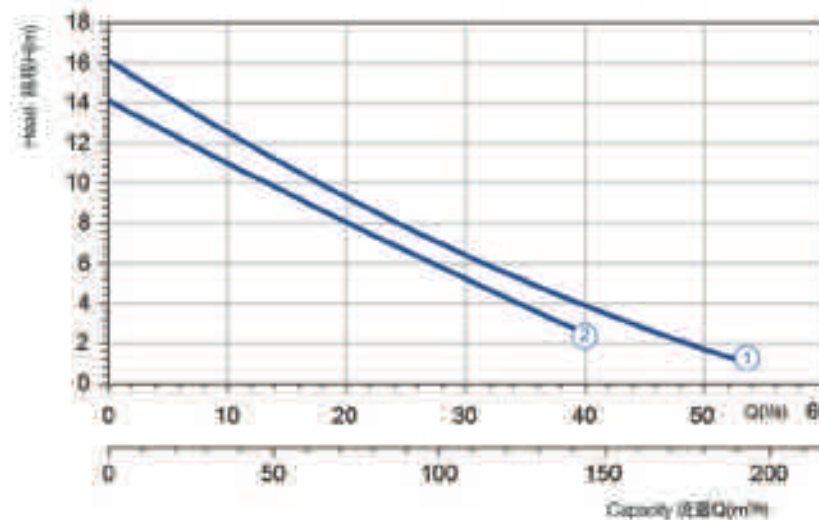
## VII、Dimensions 尺寸(mm)



# SUBMERGED SEWAGE PUMP

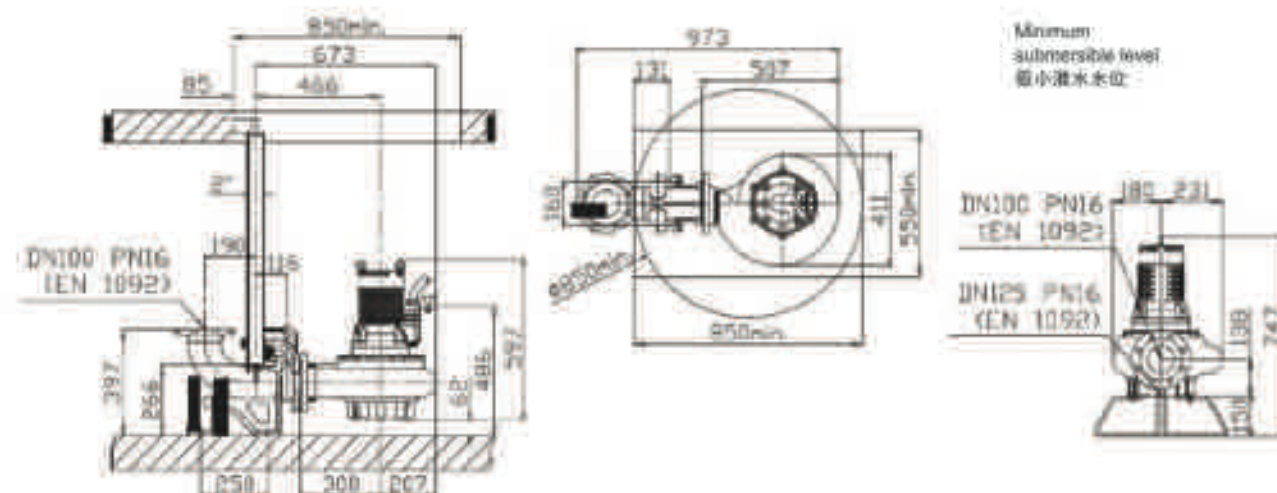
VQC / 铸铁污水泵

## VI、Performance Curve 性能曲线



电压	3ph 400/690V 50Hz	系列号	材料	型号	电压	额定功率 (kW)	额定电流 (A)	启动电流 (A)	ATEX 认证号
每分钟转速	1450	1	7000112	G410F1M1-P78AA2	3.9	7.9	39.5	7006009	
自由扬程 (mm)	78	1	7000203	G410F1M2-P78AA2	3.9	7.9	39.5	7002795	
接管直径 (mm)	DN 100								
最大重量 (Kg)	117								

## VII、Dimensions 尺寸(mm)

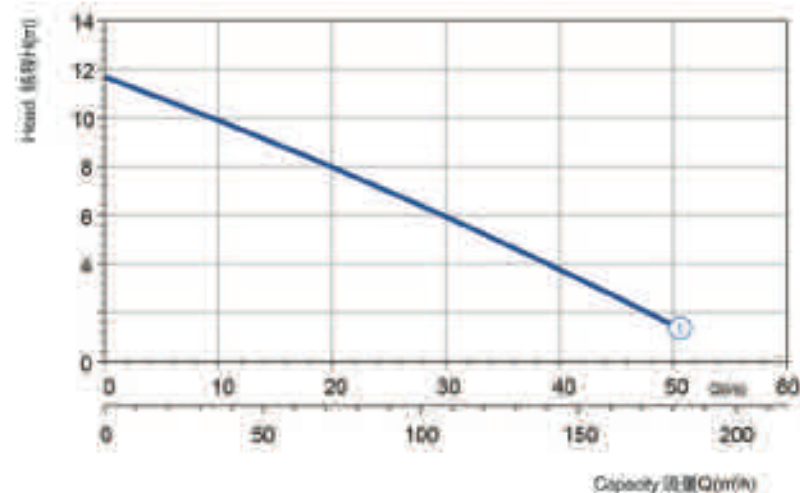


- VG
- D
- V
- S
- M
- H
- C
- T
- P
- XD
- XV
- XG
- XT
- BQ
- BV
- BC
- Installator
- Vx
- VW
- 附录

# SUBMERGED SEWAGE PUMP

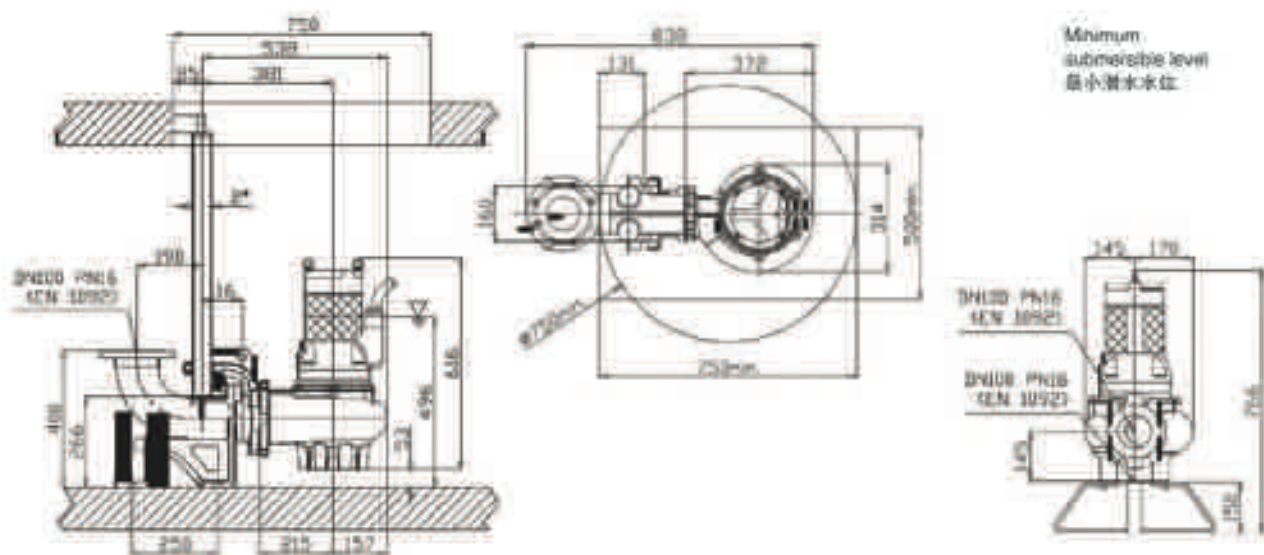
VQC / 铸铁污水泵

## VI、Performance Curve 性能曲线



电源	3ph 400/690V 50Hz	电机	电压			ATEX 认证号		
每分钟转速	1450	材料	额定功率 (kW)	额定电流 (A)	额定电压 (V)	700099		
自由扬程 (mm)	90	1	7002949	G410R1M1-P90AA2	3.5	6.8	30.6	
接管直径 (mm)	DN 100							
最大重量 (Kg)	85							

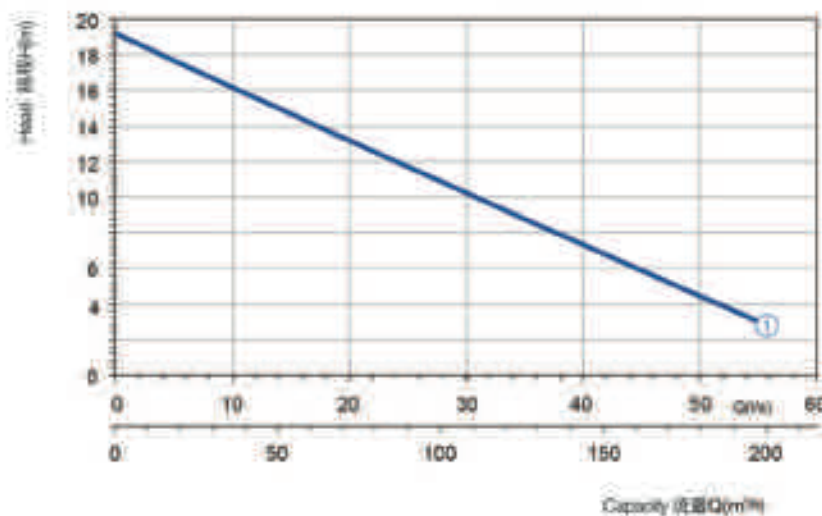
## VII、Dimensions 尺寸(mm)



# SUBMERGED SEWAGE PUMP

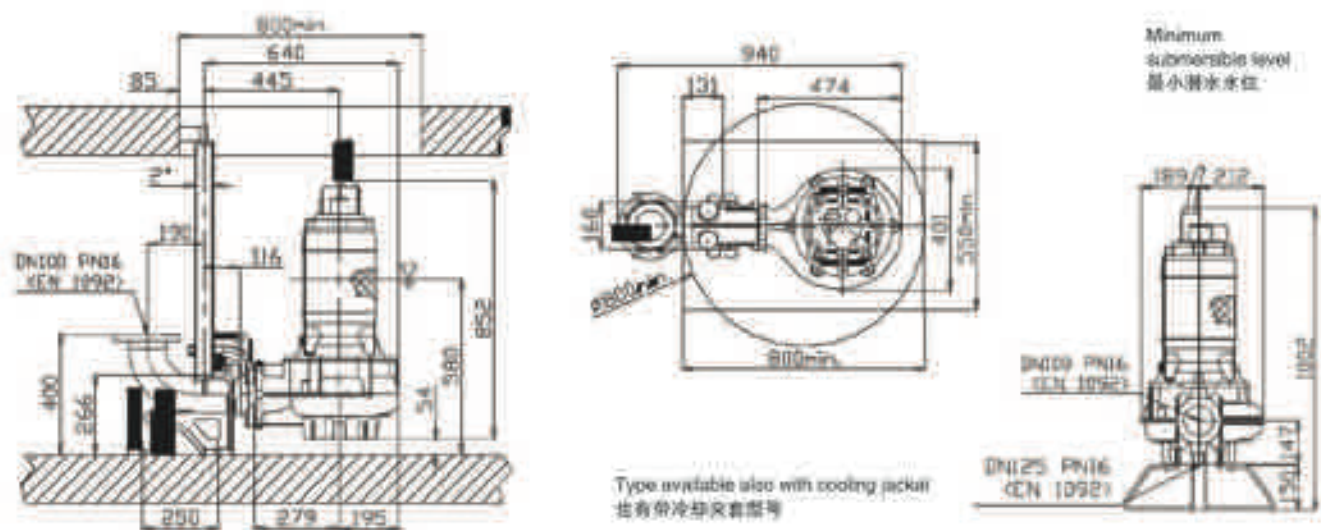
VQC / 铸铁污水泵

## VI、Performance Curve 性能曲线



电源	3ph 400/690V 50Hz	电机	电压			ATEX 认证号		
每分钟转速	1450	材料	额定功率 (kW)	额定电流 (A)	额定电压 (V)	700749		
自由扬程 (mm)	76	1	7005181	G411R1M1-P76AA2	2.1	13.5	76.7	
接管直径 (mm)	DN 100							
最大重量 (Kg)	170							

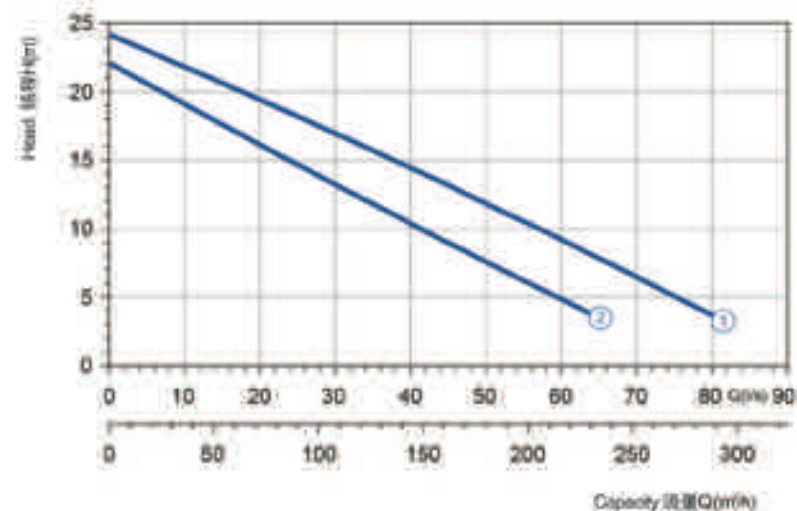
## VII、Dimensions 尺寸(mm)



# SUBMERGED SEWAGE PUMP

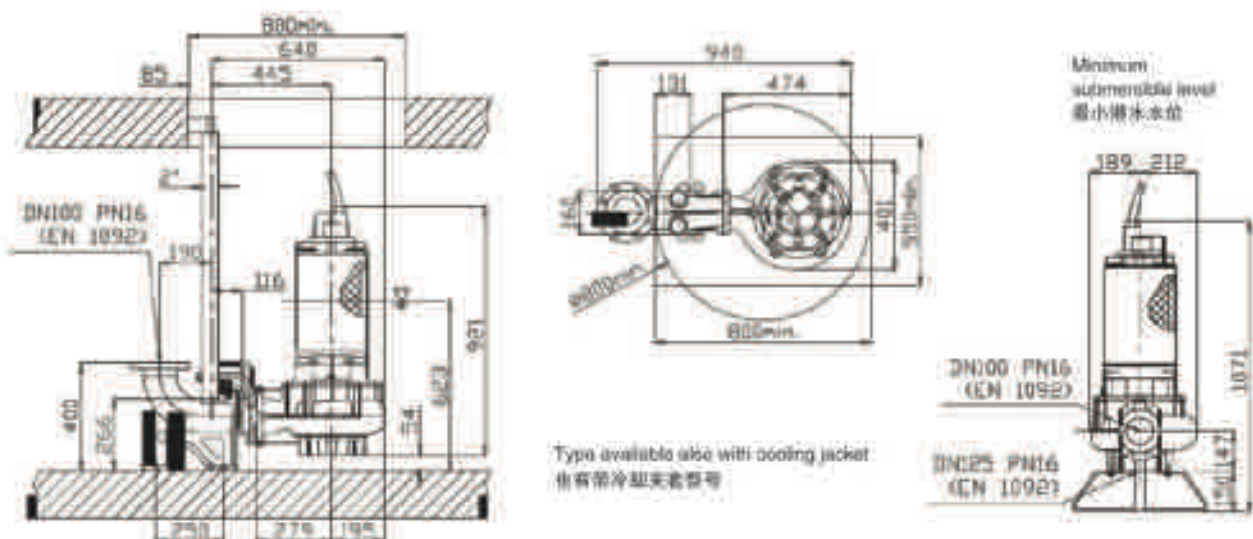
VQC / 铸铁污水泵

## VI、Performance Curve 性能曲线



电源	3ph 400/690V 50Hz	规格	材料	型号	电机			ATEX 认证
					额定功率 (kW)	额定电流 (A)	额定转速 (r/min)	
每分钟转速	1450	1	7009232	G413R1M1-P90AA2	14.4	26.7	150	7007489
自由扬程 (mm)	90	2	7009431	G413R1M2-P90AA2	10	19	112	7007490
接管直径 (mm)	DN 100							
最大重量 (Kg)	204							

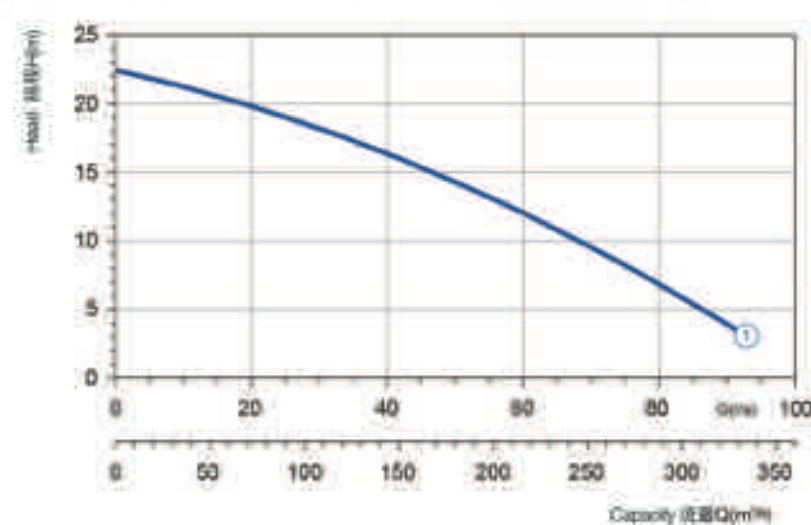
## VII、Dimensions 尺寸(mm)



# SUBMERGED SEWAGE PUMP

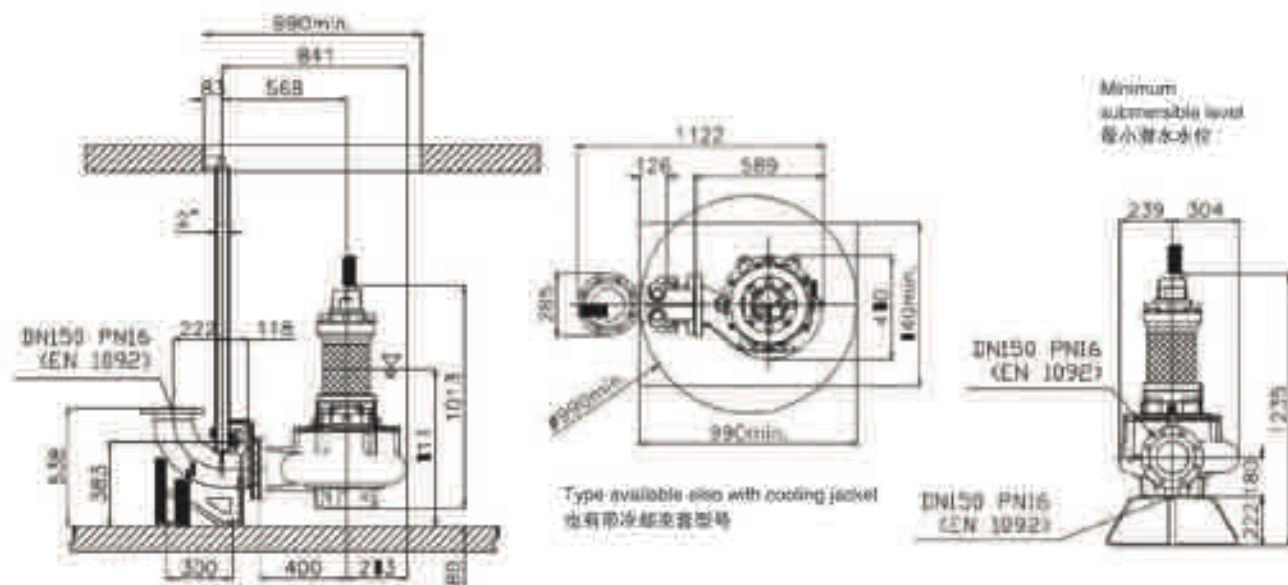
VQC / 铸铁污水泵

## VI、Performance Curve 性能曲线



电源	3ph 400/690V 50Hz	规格	材料	型号	电机			ATEX 认证
					额定功率 (kW)	额定电流 (A)	额定转速 (r/min)	
每分钟转速	1450	1	7004702	G413R1M2-S100AA2	12.9	24.1	142	7008948
自由扬程 (mm)	100							
接管直径 (mm)	DN 150							
最大重量 (Kg)	313							

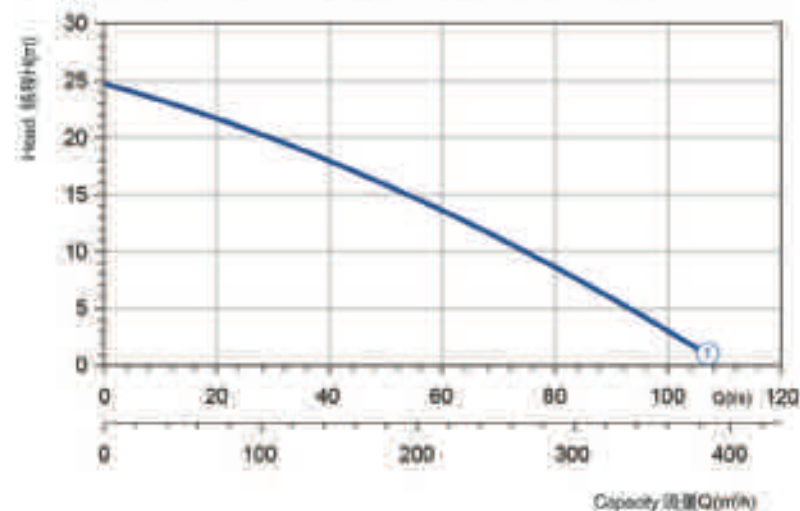
## VII、Dimensions 尺寸(mm)



# SUBMERGED SEWAGE PUMP

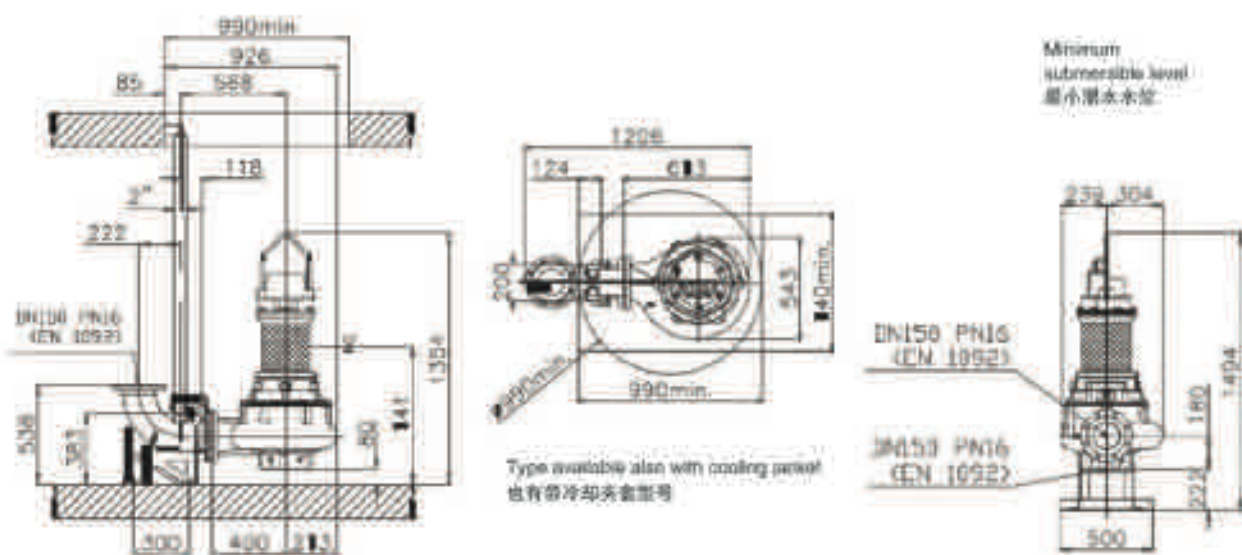
VQC / 铸铁污水泵

## VI、Performance Curve 性能曲线



参数	3ph 400/690V 50Hz	系列号	材料	型号	电压	额定功率 (kW)	额定电流 (A)	额定流量 (m³/h)	ATEX 认证号
每分钟转速	1450	1	700997	G416R1M2-S100AA2	15	37.8	164	7000653	
自由扬程 (mm)	100								
接管直径 (mm)	DN 150								
最大重量 (Kg)	375								

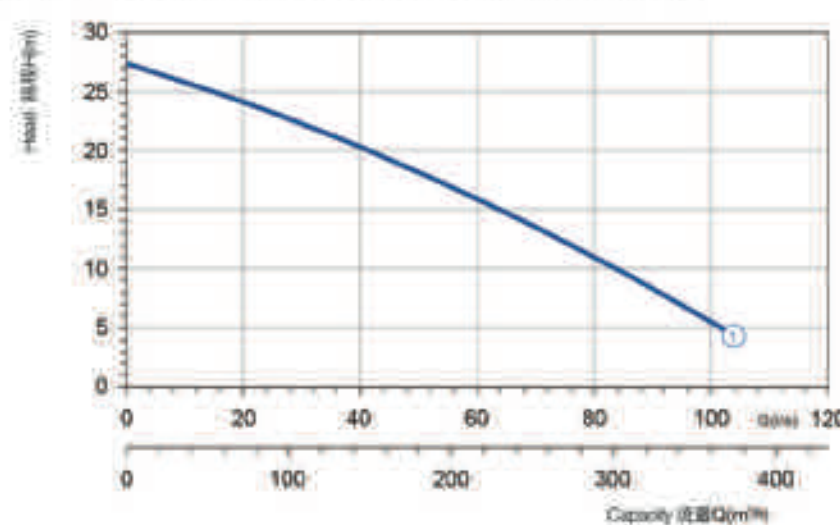
## VII、Dimensions 尺寸(mm)



# SUBMERGED SEWAGE PUMP

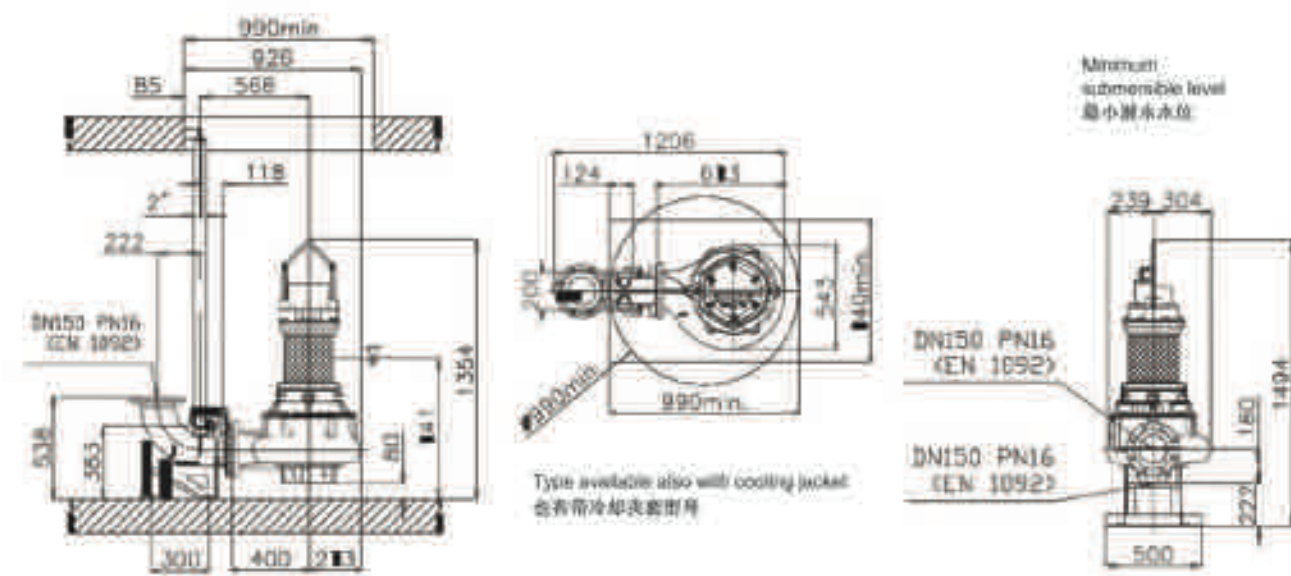
VQC / 铸铁污水泵

## VI、Performance Curve 性能曲线



参数	3ph 400/690V 50Hz	系列号	材料	型号	电压	额定功率 (kW)	额定电流 (A)	额定流量 (m³/h)	ATEX 认证号
每分钟转速	1450	1	700970	G416R1M1-S100AA2	17.8	33.3	196	7000635	
自由扬程 (mm)	100								
接管直径 (mm)	DN 150								
最大重量 (Kg)	376								

## VII、Dimensions 尺寸(mm)



- VG
- D
- V
- S
- M
- H
- C
- T
- P
- XD
- XV
- XC
- XT
- BQ
- BV
- BC
- Installator
- Vx
- VW
- 附录



## SUBMERGED SEWAGE PUMP VQ SERIES

SUBMERGED  
PUMPS SEWAGE  
VQ

铸铁H型叶轮



## I、Application 应用

The submersible multichannel "high performance" pumps with self-cleaning blade profile can be used in almost any application; they are mainly used for the pumping of domestic effluent containing solids and fibrous materials, process water, civil and industrial sludge, waste water sumps in general.

自清葉叶型“高效”多道渣潜水水泵几乎可以用于各种用途；该类型泵主要用于输送含固体颗粒和纤维材料的污水、工艺水、土建和工业污泥、普通污水坑污水等。

## II、Construction Data 结构数据

Submersible motor pumps, robust in construction, watertight electric motors accommodated in compartment, connected, by shafts of reduced lengths, to the impellers situated at the pump outlet by the interposition of oil chamber between the hydraulic side and the electric motor.

潜水水泵构造结实，电动马达室防水密封，由短轴连接到泵壳内的泵轮上，润滑油室位于泵壳的液室侧与电机之间。

## III、Materials 材料

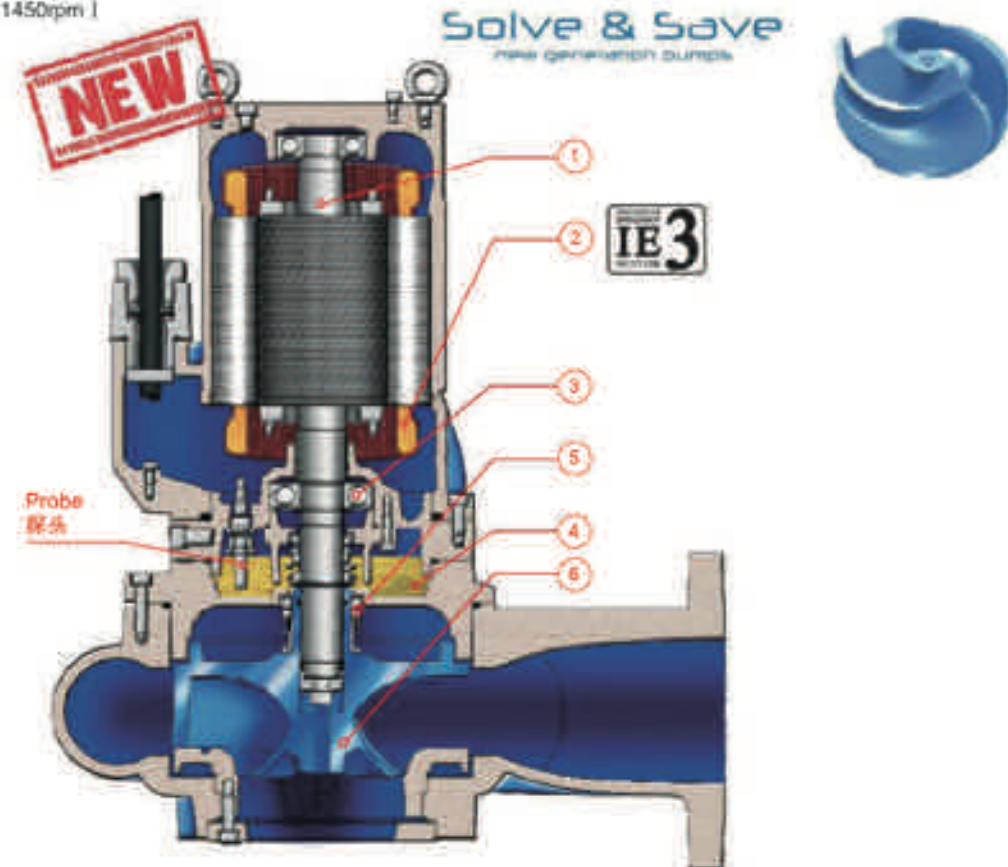
Motor Housing	电机外壳	Cast Iron EN-GJL-250	铸铁 EN-GJL-250
Impeller Schemidal	叶轮球形外壳	Cast-iron GS400	铸铁 GS400
Electric Cable	电缆	Neoprene H07FNF	氯丁橡胶 H07FNF
Shaft	轴	Stainless Steel AISI 420B/431	不锈钢 AISI 420B/431
O-Rings And Lip Seal	O 形环和唇形密封	Nitrile	丁腈橡胶
Bolt	螺栓	A2 class - AISI 304	A2 类 - AISI 304
Mechanical Seal	机械密封	Silicon Carbide / Silicon Carbide	碳化硅/碳化硅

## SUBMERGED SEWAGE PUMP

VQC / 铸铁污水泵

## IV、Features 特点

Submersible multichannel pumps of "high efficiency" 4-pole  
“高效”多道渣潜水水泵 / 4 极 (1450rpm)



- 1 **Shafts** grinded down in ball bearings and mechanical seals seats, over-dimensioned respect to standard parameters of use.
- 2 **Motor** asynchronous three-phase squirrel cage type, insulation class H(180 ° C). Dry motor, cooled by surrounding liquid. Protection degree IP 68. The motor is projected for continuous or intermittent operation, with a maximum of 15 starts per hour at regular intervals. The motor is projected for working with 5% maximum voltage unbalance between phases.
- 3 **Ball bearings** overdimensioned, life lubricated, maintenance free.
- 4 **Oil chamber** oil lubricates and cools the seals and emulsifies eventual water infiltrations. This electric pump has two types of seals for a perfect insulation between the electric motor and the pumped liquid. Upper seal: Ceramic/Graphite.
- 5 **Lower seal**: mechanical, silicon carbide.
- 6 **Rotors**: made with a special self-cleaning anti-clogging blade profile, they are designed to provide high hydraulic efficiency and low energy consumption.

- 1 **轴** 球轴承压入，机械密封座，尺寸大于标准使用参数。
- 2 **异步电机** 三相鼠笼型，绝缘等级 H(180 ° C)，干电机，由周围液体冷却，防护等级 IP 68，电机用于连续或间歇运行，按固定时间间隔每小时最多启动 15 次，电机用于相间电压不平衡最大为 5% 的工作环境。
- 3 **大尺寸滚珠轴承**，长效润滑，免维护。
- 4 **润滑油室** 润滑和冷却密封件并能防止水渗透，该水泵有两种类型密封件，可在电动机和泵送的液体之间完美绝缘。  
上部密封：陶瓷 / 石墨。  
5 **底部密封**：机械密封，碳化硅密封。
- 6 **转子**：由特制自清防堵塞叶片型面制成，旨在提高水力效率，降低能耗。

VQ

D

V

S

M

H

C

T

P

XD

XV

XC

XT

BD

BV

BC

Installation

Vx

VW

附录

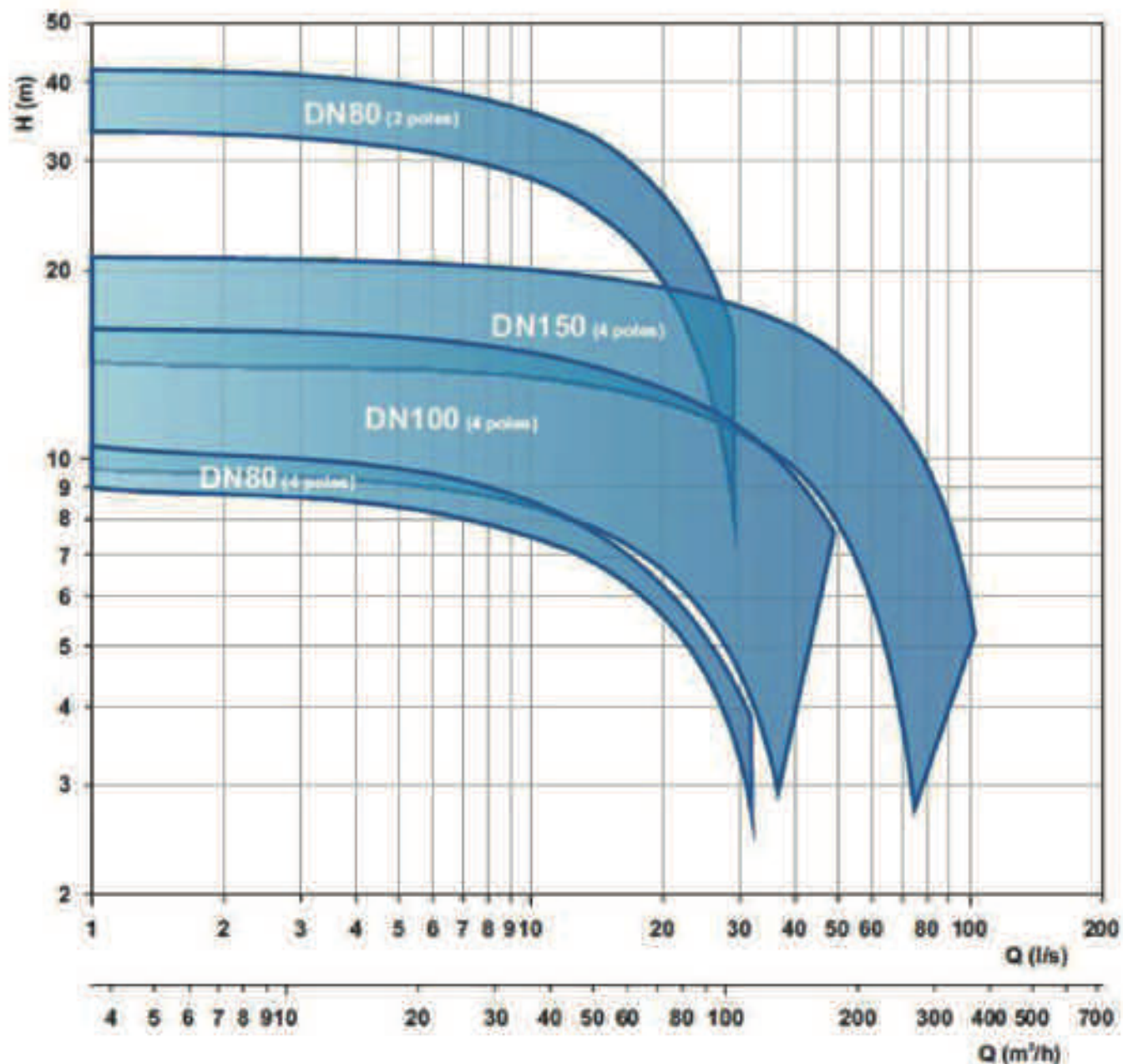
# SUBMERGED SEWAGE PUMP

VQC / 铸铁污水泵

## V、Submersible Multichannel Pumps Of "High Efficiency"

2/4-Poles

“高效”多流道潜水泵/4极 (1450rpm)

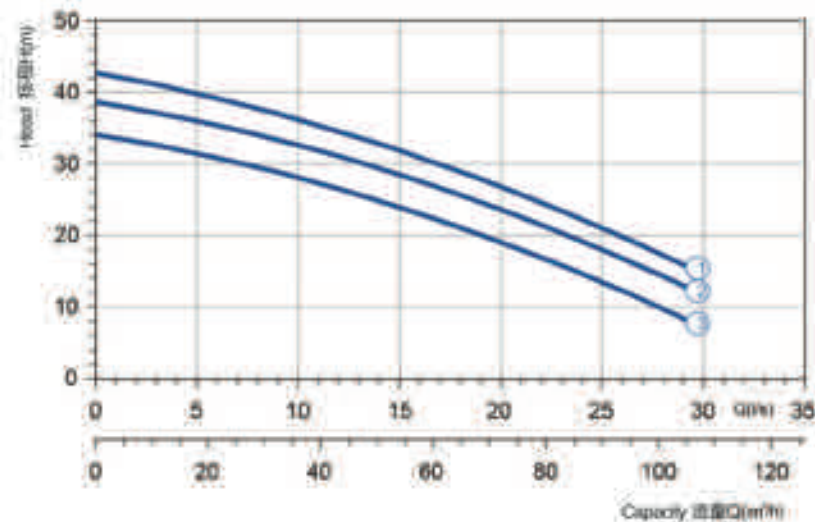


Technical data sheets are available on our web site [www.u-flo.com](http://www.u-flo.com)  
 技术数据表可访问我们的网站获取: [www.u-flo.com](http://www.u-flo.com)

# SUBMERGED SEWAGE PUMP

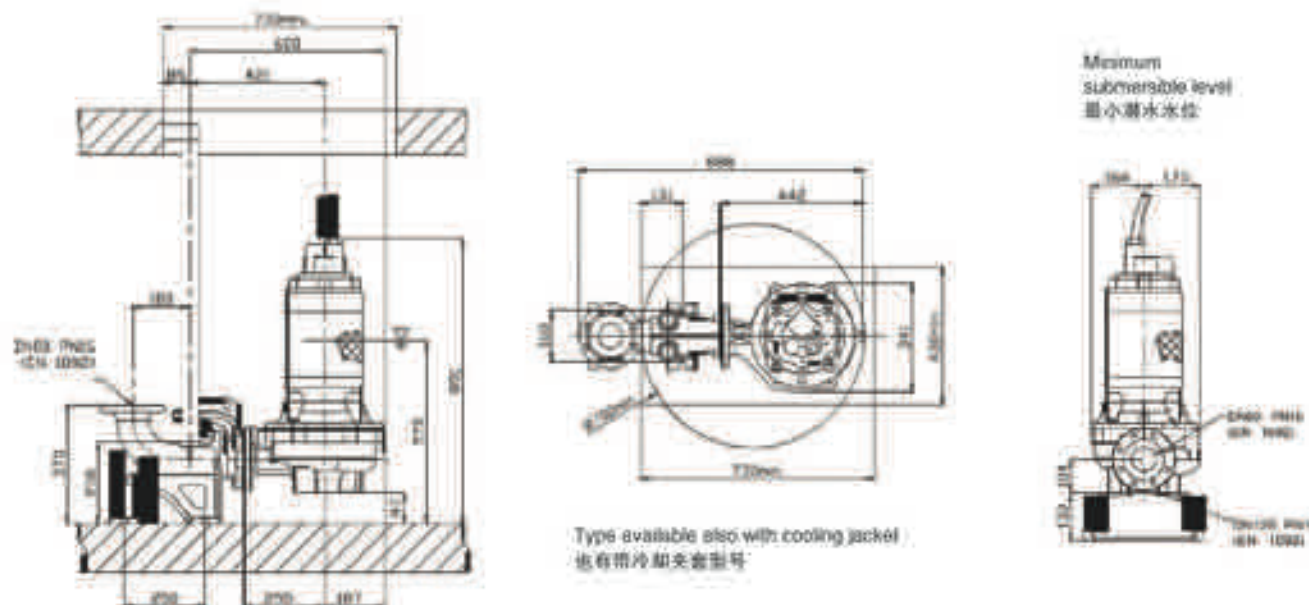
VQC / 铸铁污水泵

## VI、Performance Curve 性能曲线



规格	Sub: 400/690V 30Hz	流量 (l/s)	材料	型号	电压			ATEX 认证号
					额定功率 (kW)	额定电流 (A)	启动电流 (A)	
每分钟转速	2680							
自由口径 (mm)	60	1	7000990	G211R2H1-M30AA2	10	18	100	7008344
排量口径 (mm)	DN 80	2	7007007	G211R2H2-M30AA2	9	16.2	95.6	7008570
最大重量 (Kg)	164	3	7007029	G211R2H3-M30AA2	7.5	13.5	79.6	7008580

## VII、Dimensions 尺寸(mm)

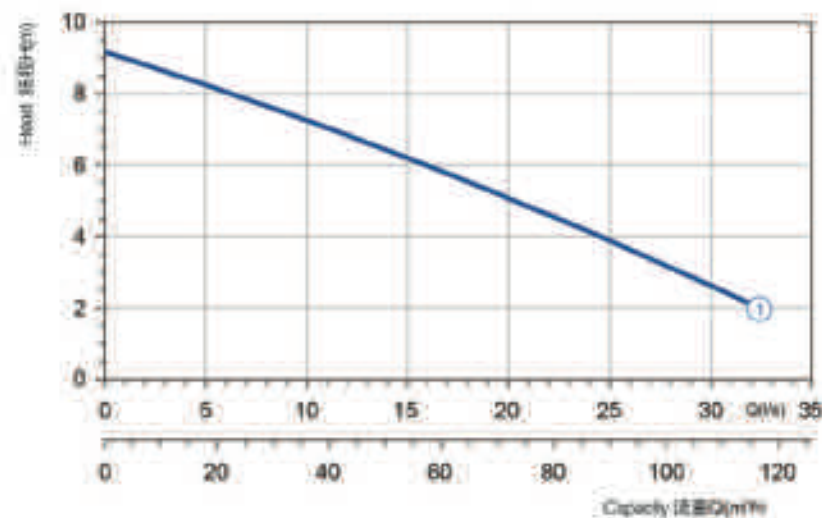


- VG
- D
- V
- S
- M
- H
- C
- T
- P
- XD
- XV
- XC
- XT
- BQ
- BV
- BC
- Installation
- Vx
- VW
- 附录

# SUBMERGED SEWAGE PUMP

VQC / 铸铁污水泵

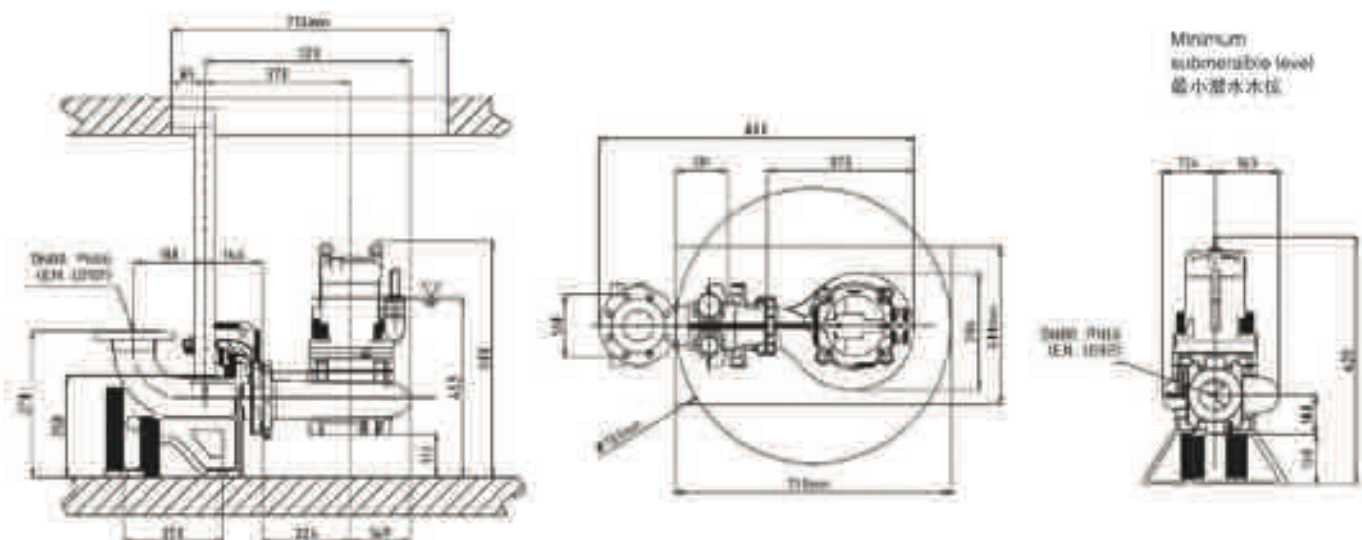
## VI、Performance Curve 性能曲线



电压	3ph 400V 50Hz
每分钟转速	1450
自由通道 (mm)	50
接管直径 (mm)	DN 80
最大重量 (Kg)	82

电压	代码	型号	额定功率P2 (kW)	额定电流I (A)	启动电流Ist (A)	ATEX 认证号
3	7006082	G40RT2H2-M50AA2	2.8	5.4	24.5	Ex ts IIC

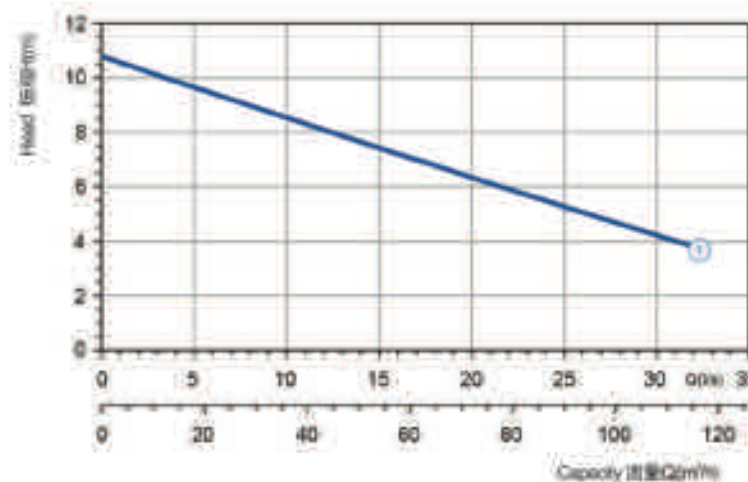
## VII、Dimensions 尺寸(mm)



# SUBMERGED SEWAGE PUMP

VQC / 铸铁污水泵

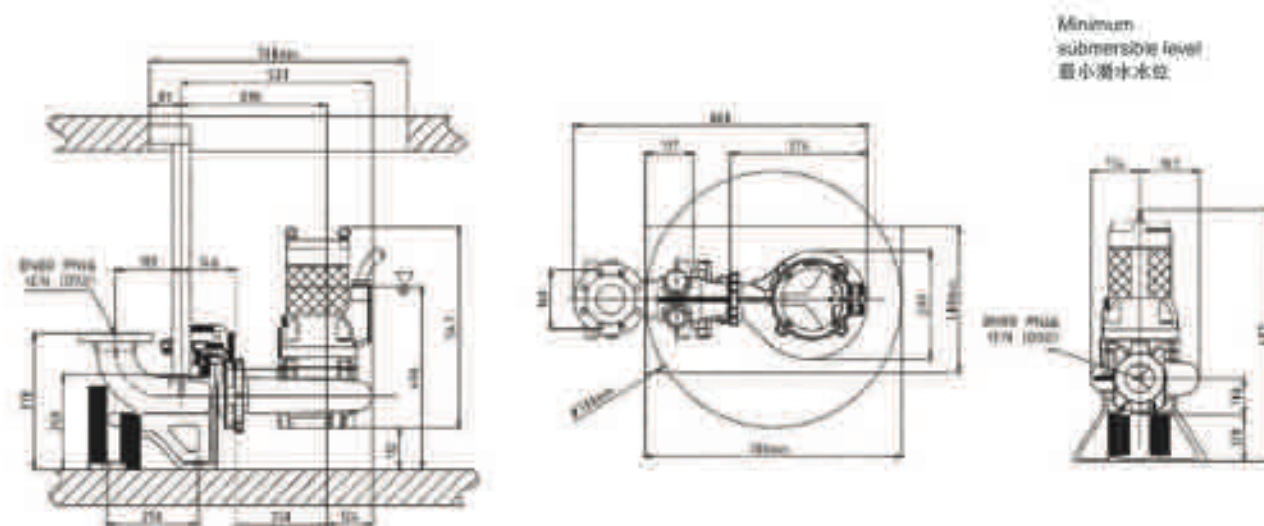
## VI、Performance Curve 性能曲线



电压	3ph 400V 50Hz
每分钟转速	1450
自由通道 (mm)	50
接管直径 (mm)	DN 80
最大重量 (Kg)	88

电压	代码	型号	额定功率P2 (kW)	额定电流I (A)	启动电流Ist (A)	ATEX 认证号
3	7006320	G410R2H2-M50AA2	3	5.8	26.1	7001860

## VII、Dimensions 尺寸(mm)

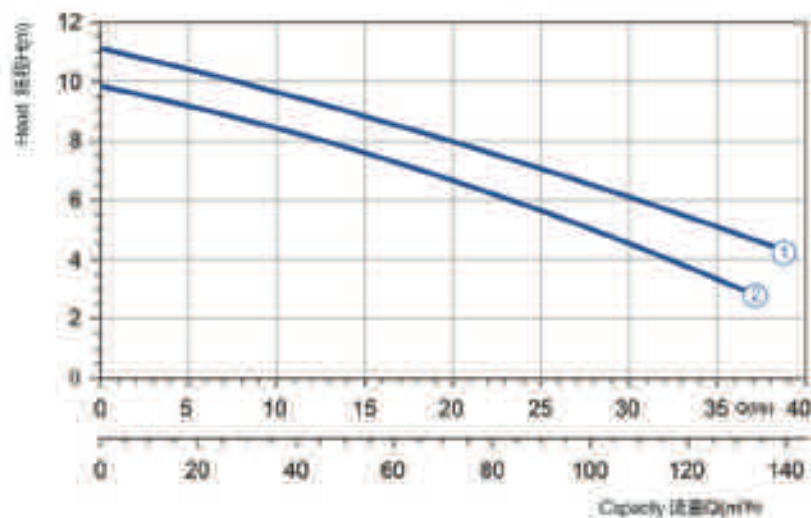


- VG
- D
- V
- S
- M
- H
- C
- T
- P
- XD
- XV
- XC
- XT
- BQ
- BV
- BC
- Installation
- Vx
- VW
- 附录

# SUBMERGED SEWAGE PUMP

VQC / 铸铁污水泵

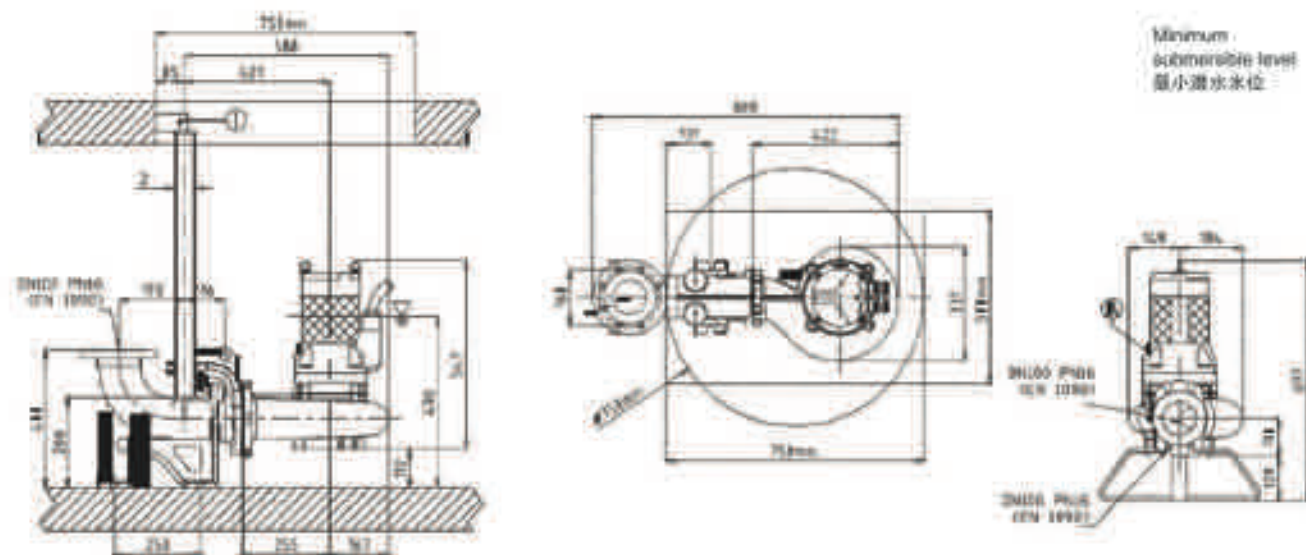
## VI、Performance Curve 性能曲线



电压	3ph 400/690V 50Hz
每分钟转速	1450
自由通道 (mm)	50
接管直径 (mm)	DN 100
最大重量 (Kg)	91

曲线号	代码	型号	电机			ATEX 认证号
			额定功率P2 (kW)	额定电流I <sub>N</sub> (A)	启动电流I <sub>st</sub> (A)	
1	7000618	G410R2H3-P50AA2	3.8	7.8	39.5	7001207
2	7008258	G410R2H2-P50AA2	3	6.8	26.1	7009191

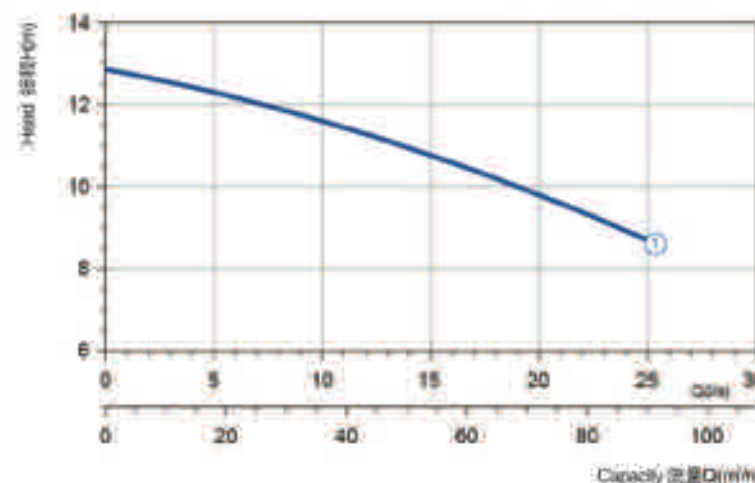
## VII、Dimensions 尺寸(mm)



# SUBMERGED SEWAGE PUMP

VQC / 铸铁污水泵

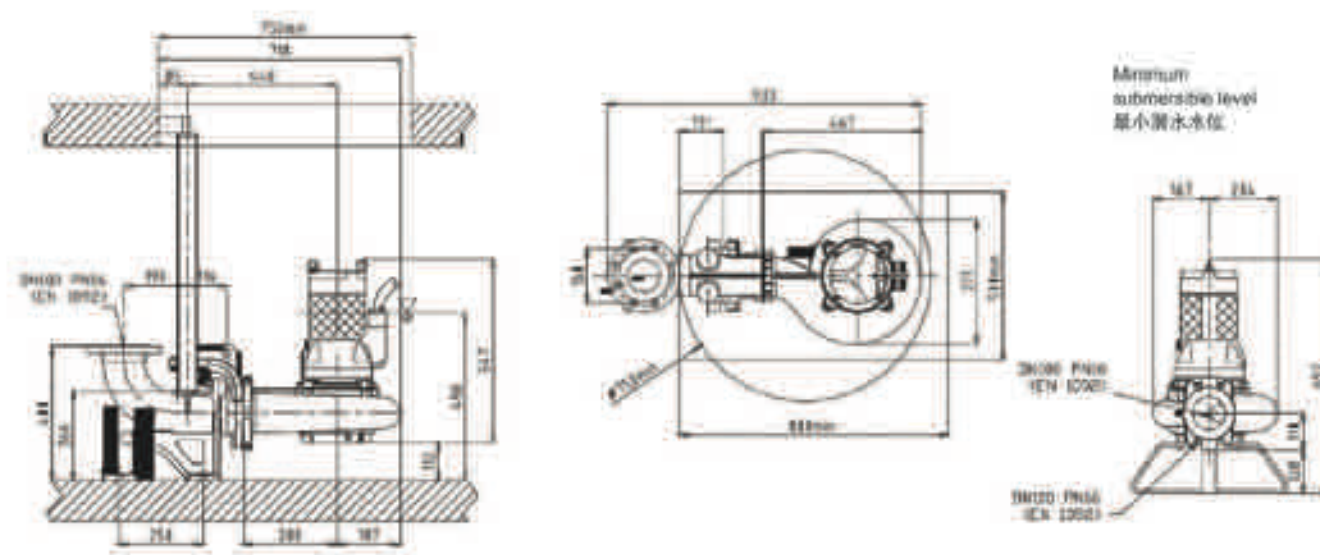
## VI、Performance Curve 性能曲线



电压	3ph 400/690V 50Hz
每分钟转速	1450
自由通道 (mm)	50
接管直径 (mm)	DN 100
最大重量 (Kg)	91

曲线号	代码	型号	电机			ATEX 认证号
			额定功率P2 (kW)	额定电流I <sub>N</sub> (A)	启动电流I <sub>st</sub> (A)	
1	7008258	G410R2H1-P50AA2	3.8	7.8	39.5	7009192

## VII、Dimensions 尺寸(mm)

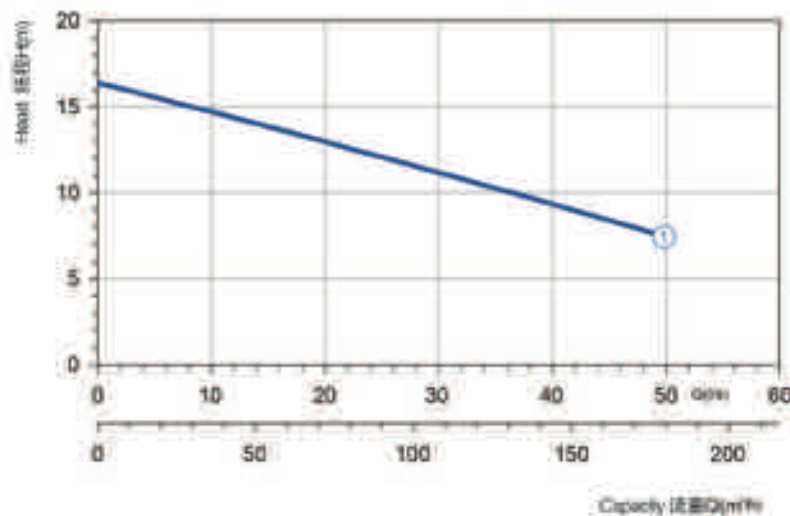


- VG
- D
- V
- S
- M
- H
- C
- T
- P
- XD
- XV
- XG
- XT
- BQ
- BV
- BC
- Installation
- Vx
- VW
- 附录

# SUBMERGED SEWAGE PUMP

VQC / 铸铁污水泵

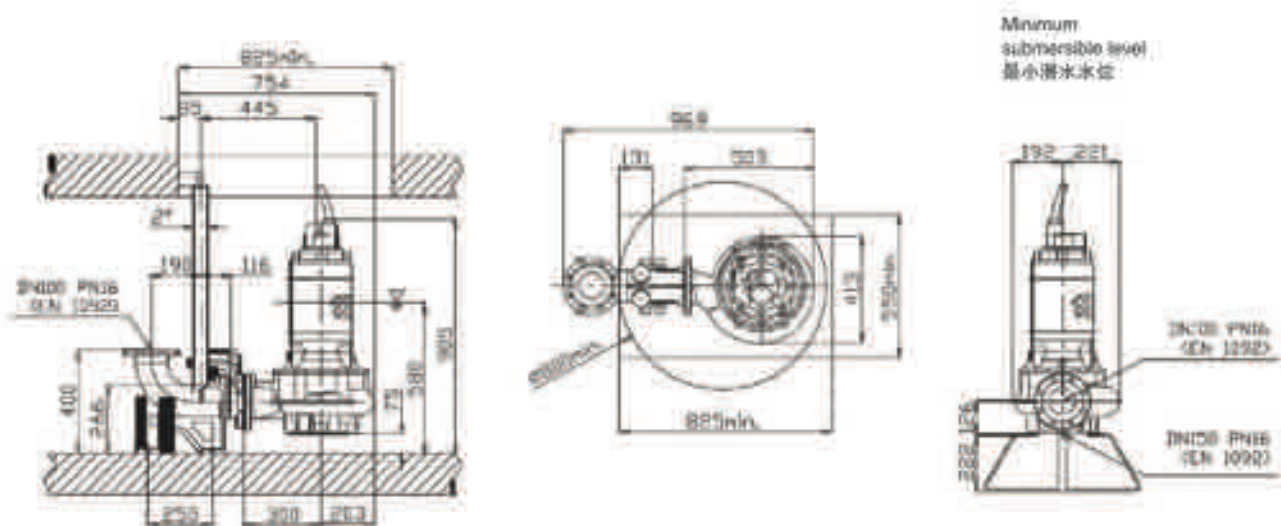
## VI、Performance Curve 性能曲线



电压	3ph 400/690V 50Hz
每分钟转速	1450
自由通道 (mm)	60
接管直径 (mm)	DN 100
最大重量 (Kg)	185

电压	代码	型号	电压	ATEX 认证
额定功率P2 (kW)	额定电压U (V)	额定电流I (A)		
7.1	13.5	79.6	1007302	

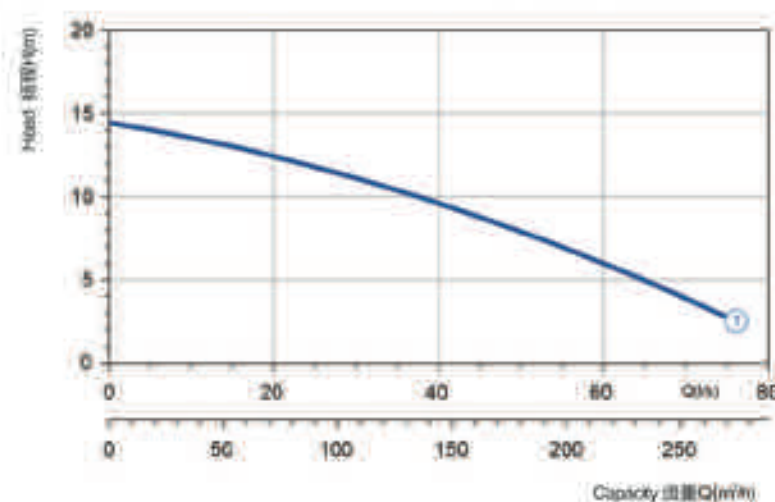
## VII、Dimensions 尺寸(mm)



# SUBMERGED SEWAGE PUMP

VQC / 铸铁污水泵

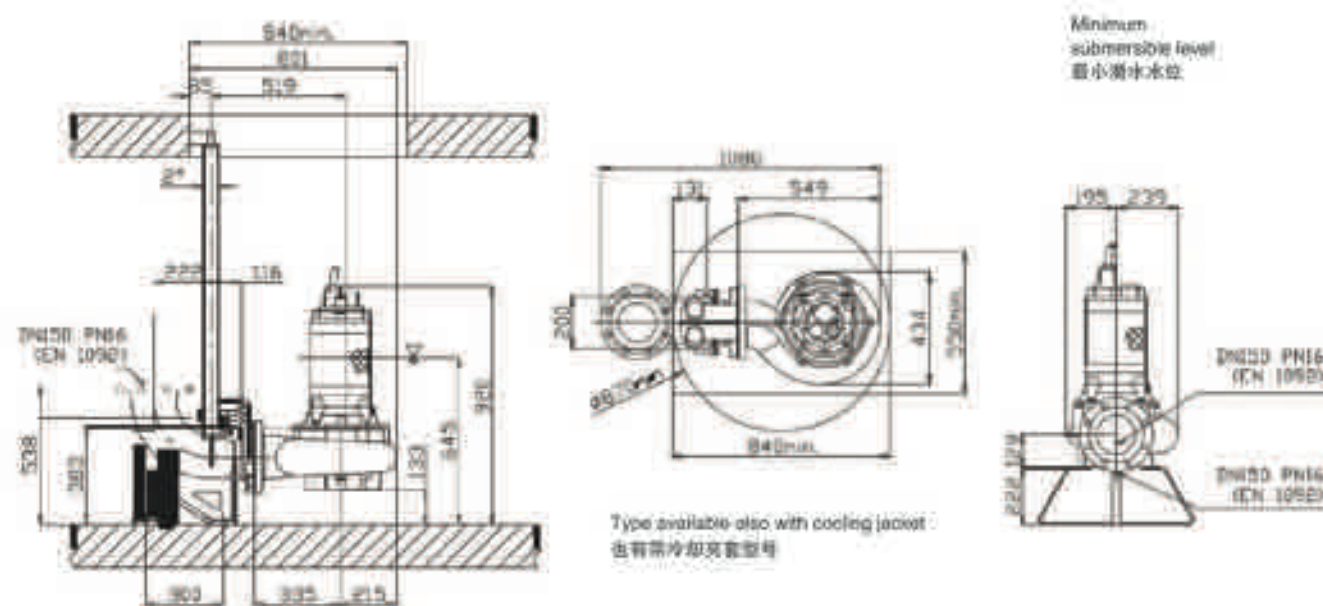
## VI、Performance Curve 性能曲线



电压	3ph 400/690V 50Hz
每分钟转速	1450
自由通道 (mm)	60
接管直径 (mm)	DN 150
最大重量 (Kg)	200

电压	代码	型号	电压	ATEX 认证
额定功率P2 (kW)	额定电压U (V)	额定电流I (A)		
7.1	13.5	79.7	7006273	

## VII、Dimensions 尺寸(mm)

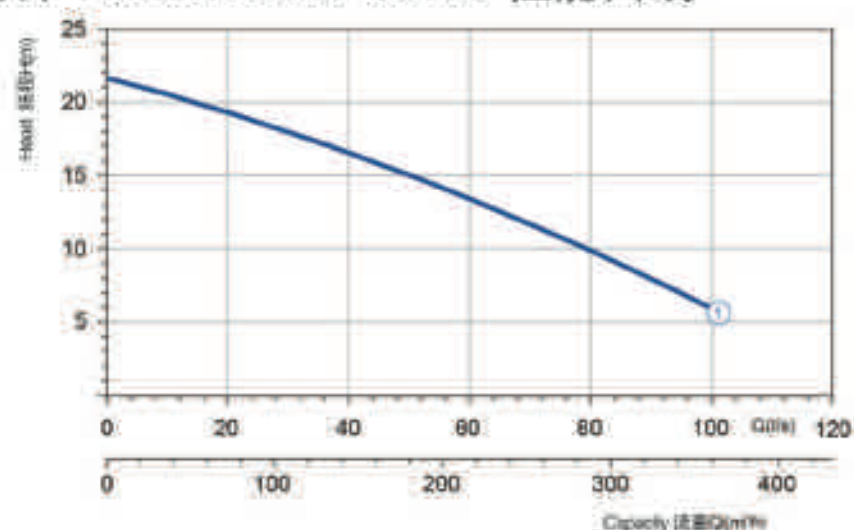


# SUBMERGED SEWAGE PUMP

VQC / 铸铁污水泵

SUBMERGED SEWAGE PUMP VQ SERIES

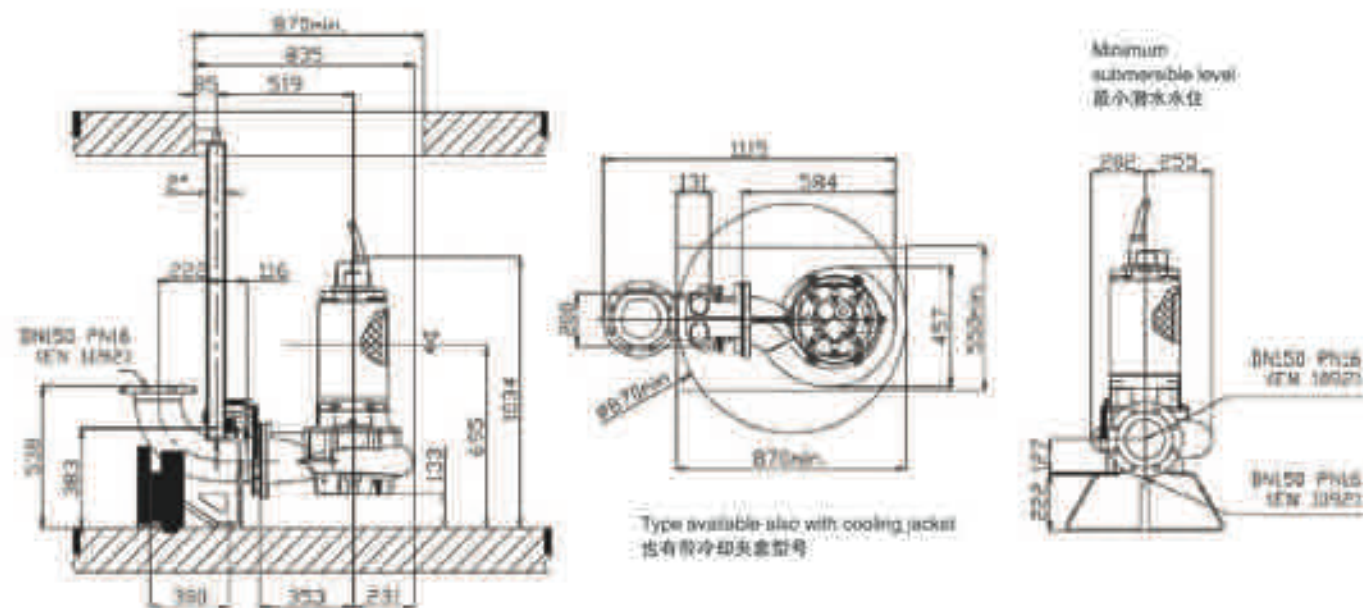
## VI、Performance Curve 性能曲线



电压	3ph 400/690V 50Hz
每分钟转速	1450
自由扬程 (mm)	60
排量口径 (mm)	DN150
最大重量 (Kg)	244

电压	代码	型号	额定功率 (kW)	额定流量 (m³/h)	额定电压 (V)	ATEX 认证
1	700R440	G413R2H1-S6DAA2	14.4	26.7	156	1000777

## VII、Dimensions 尺寸(mm)



# SUBMERGED PUMPS SEWAGE



铸铁C型叶轮



## I、Application 应用

Submersible electric pumps with channels are used prevalently for the lifting of non-corrosive dirty waters also with solid bodies in suspension, in particular for screened waste water and drainage of places subject to flooding, crude and activated sludge.

多通道潜水泵普遍用于提升非腐蚀性脏水以及含有悬浮固体的脏水。特别适用于过滤废水以及洪涝、雨滴和活性污泥等地方的排水。

## II、Construction Data 结构数据

Submersible electric pumps, robust in construction, watertight electric motor accommodated in compartment, connected by shafts of reduced lengths, to the impellers situated at the pump casing by the interposition of oil chamber between the hydraulic side and the electric motor.

潜水电泵构造结实，电动马达室防水密封，由短轴连接到泵壳内的泵轮上，润滑油室位于泵壳的液压侧与电机之间。

## III、Materials 材料

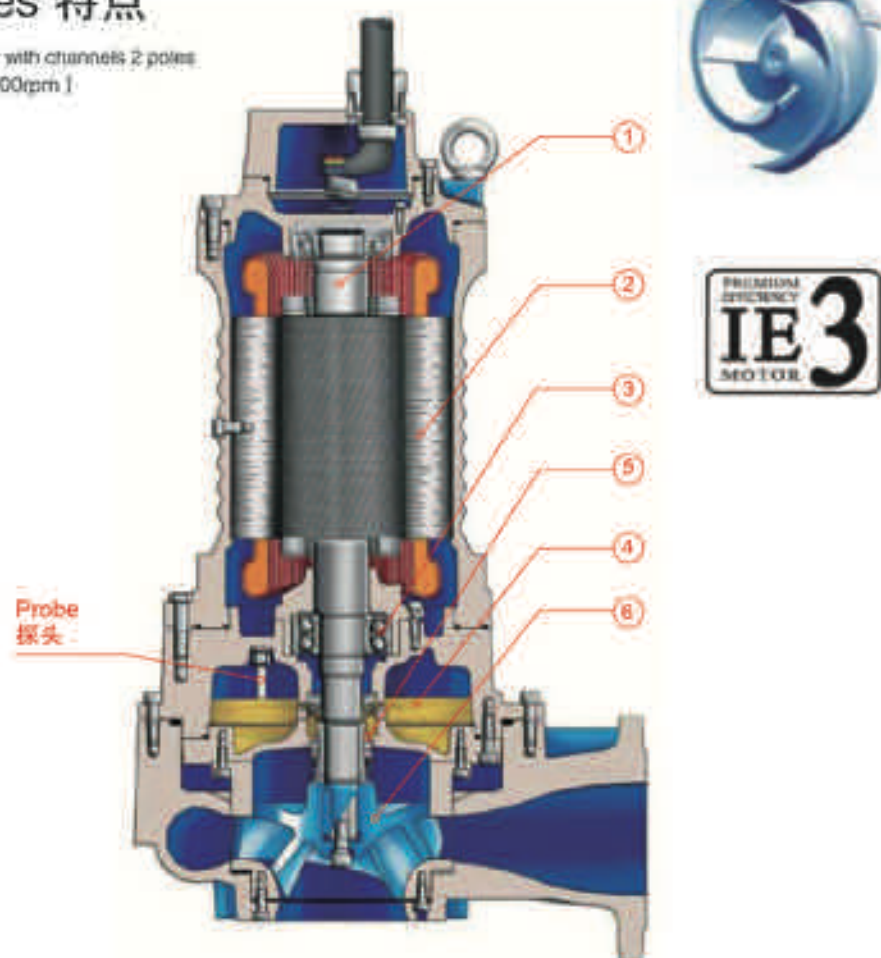
Motor Housing	电机外壳	Cast iron EN-GJL-250	铸铁 EN-GJL-250
Impeller	叶轮球墨铸铁	Cast-iron EN-GJL-250	铸铁 EN-GJL-250+ 镍
Electric Cable	电缆	Neoprene H07RNLF	氟丁橡胶 H07RNLF
Shaft	轴	Stainless Steel AISI 420B/431	不锈钢 AISI 420B/431
O-Rings And Lip Seal	O 形环和唇形密封	Nitrile	丁腈橡胶
Bolt	螺栓	A2 class - AISI 304	A2 类 - AISI 304
Mechanical Seal	机械密封	Silicon Carbide / Silicon Carbide	碳化硅/碳化硅

# SUBMERGED SEWAGE PUMP

VQC / 铸铁污水泵

## IV、Features 特点

Submersible electric pumps with channels 2 poles  
潜水多流道电机 / 2 极 (2900rpm)

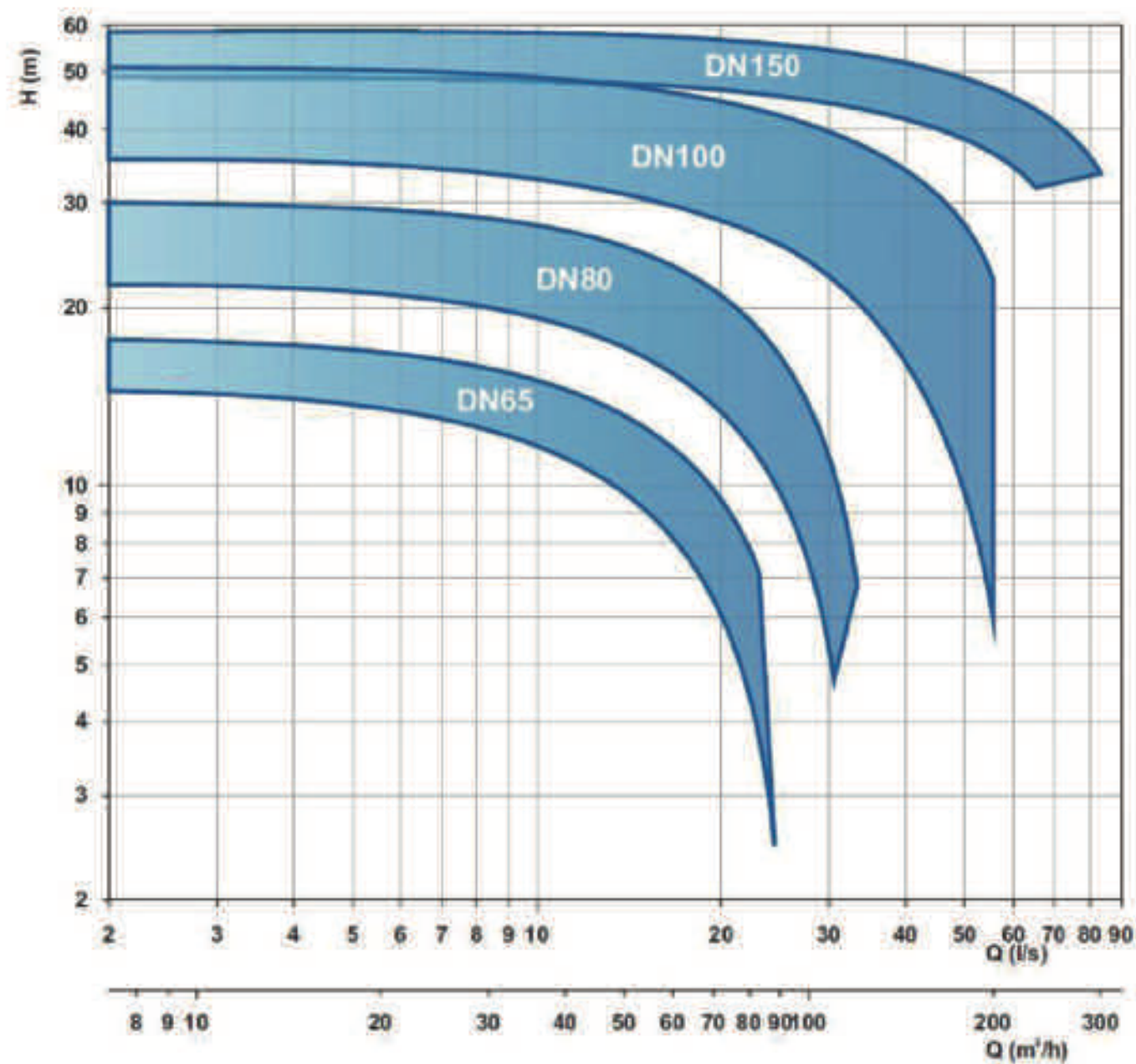


- 1 Shafts grinded down in ball bearings and mechanical seals seats, over-dimensioned respect to standard parameters of use.
  - 2 Motor asynchronous three-phase squirrel cage type, insulation class H(180 ° C). Dry motor, cooled by surrounding liquid. Protection degree IP 68. The motor is projected for continuous or intermittent operation, with a maximum of 15 starts per hour at regular intervals. The motor is projected for working with 5% maximum voltage unbalance between phases.
  - 3 Ball bearings overdimensioned, life lubricated, maintenance free.
  - 4 Oil chamber oil lubricates and cools the seals and emulsifies eventual water infiltrations. This electric pump has two types of seals for a perfect insulation between the electric motor and the pumped liquid. Upper seal: Ceramic/Graphite.
  - 5 Lower seal: mechanical, silicon carbide.
  - 6 Impellers are projected in order to guarantee and assure an high hydraulic efficiency and low power consumption, they have big litter-blades and diffuser free passages, minimum blades number, special blades design, especially diffusers' water-cooler blades designed to avoid filamentous materials catching.
- 1 轴深球轴承压入，机械密封座，尺寸大于标准使用参数。
- 2 异步电机三相鼠笼型，绝缘等级 H(180 ° C)，干电机，由周围液体冷却，防护等级 IP 68，电机用于连续或间歇运行，按固定时间间隔每小时最多启动 15 次，电机用于相间电压不平衡最大为 5% 的工作环境。
- 3 大尺寸球珠轴承，长效润滑，免维护。
- 4 润滑油室油润滑和冷却密封件并防止乳化水渗透。该电机有两种类型密封件，可在电动机和泵送的液体之间完美绝缘。  
上部密封：陶瓷 / 石墨。
- 5 底部密封：机械密封，碳化硅密封。
- 6 泵轮用于保证和确保高水力效率、低功耗。泵轮有大叶片和扩压器自由通道，最小叶片数，特殊的叶片设计，特别是扩压器的水刀叶片设计，可避免丝状材料缠绕。

# SUBMERGED SEWAGE PUMP

VQC / 铸铁污水泵

## V、Submersible Electric Pumps With Channels 2 Poles 潜水多流道电泵/2极 (2900rpm)

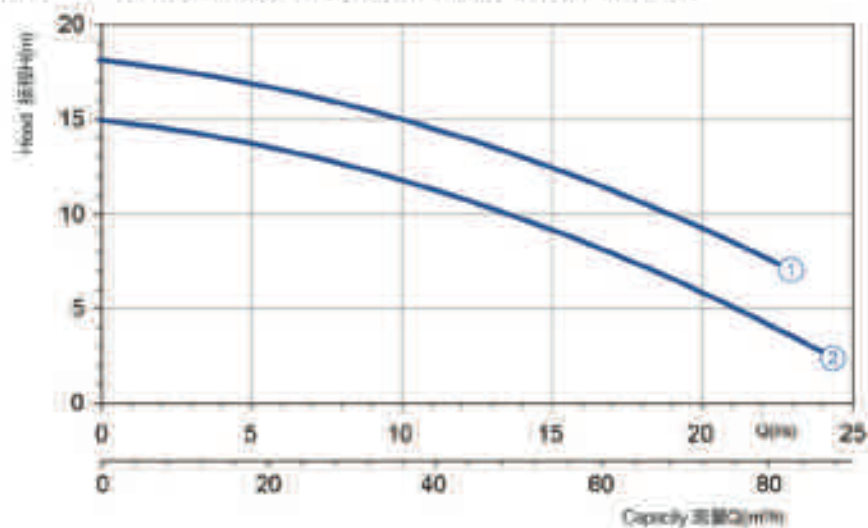


Technical data sheets are available on our web site [www.u-flo.com](http://www.u-flo.com)  
技术数据表可访问我们的网站索取：[www.u-flo.com](http://www.u-flo.com)

# SUBMERGED SEWAGE PUMP

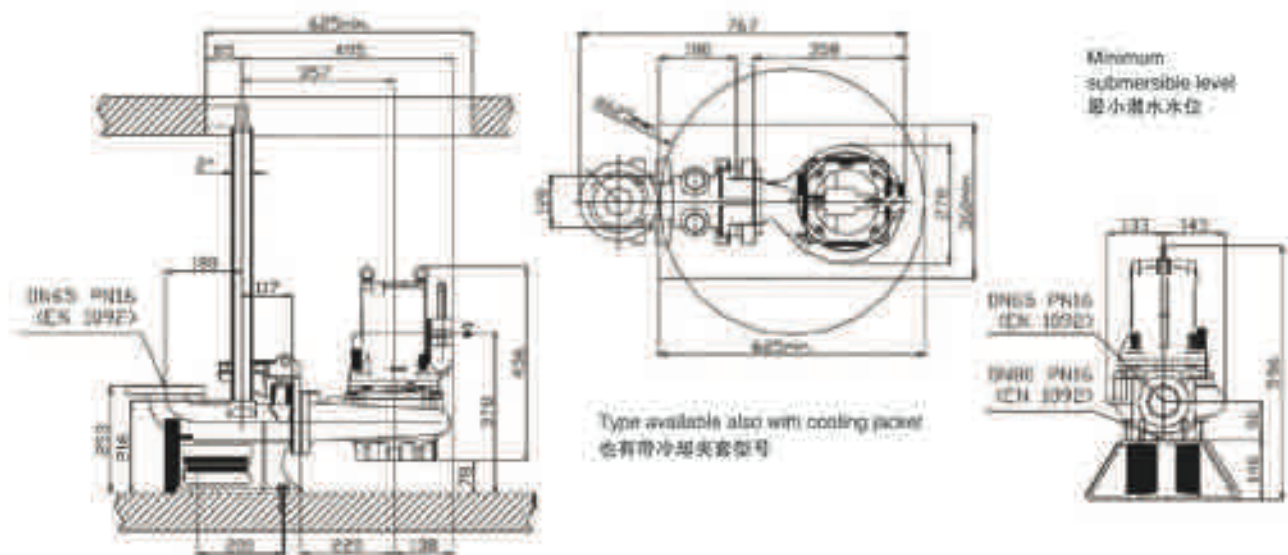
VQC / 铸铁污水泵

## VI、Performance Curve 性能曲线



电压	3ph 400V 50Hz	系列号	材料	型号	电机			ATEX 认证号
每分钟转速	2850				额定功率P <sub>n</sub> (kW)	额定电流 I <sub>n</sub> (A)	启动电流 I <sub>s</sub> (A)	
自由通道 (mm)	30	1	7003208	G209T3C2-L30AA0	3.0	6.8	38.9	7008558
排量直径 (mm)	DN 65	2	7005459	G209T3C3-L30AA0	3.1	5.8	34.2	7005811
最大重量 (Kg)	62							

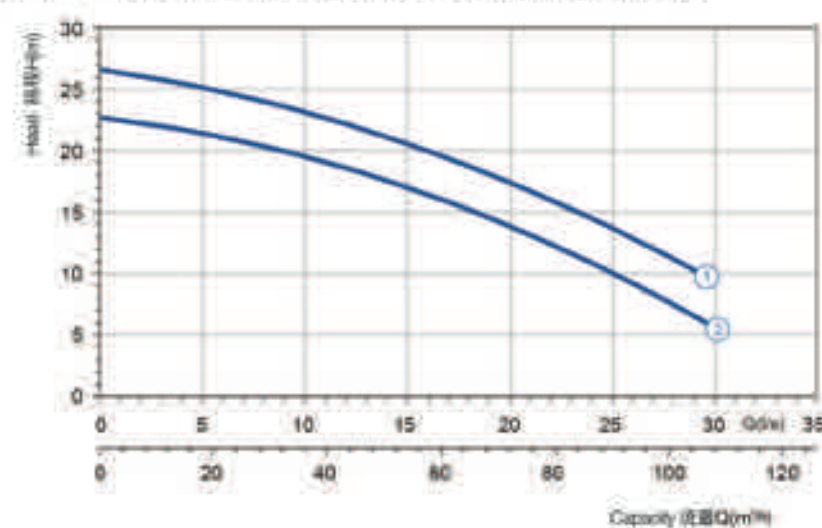
## VII、Dimensions 尺寸(mm)



# SUBMERGED SEWAGE PUMP

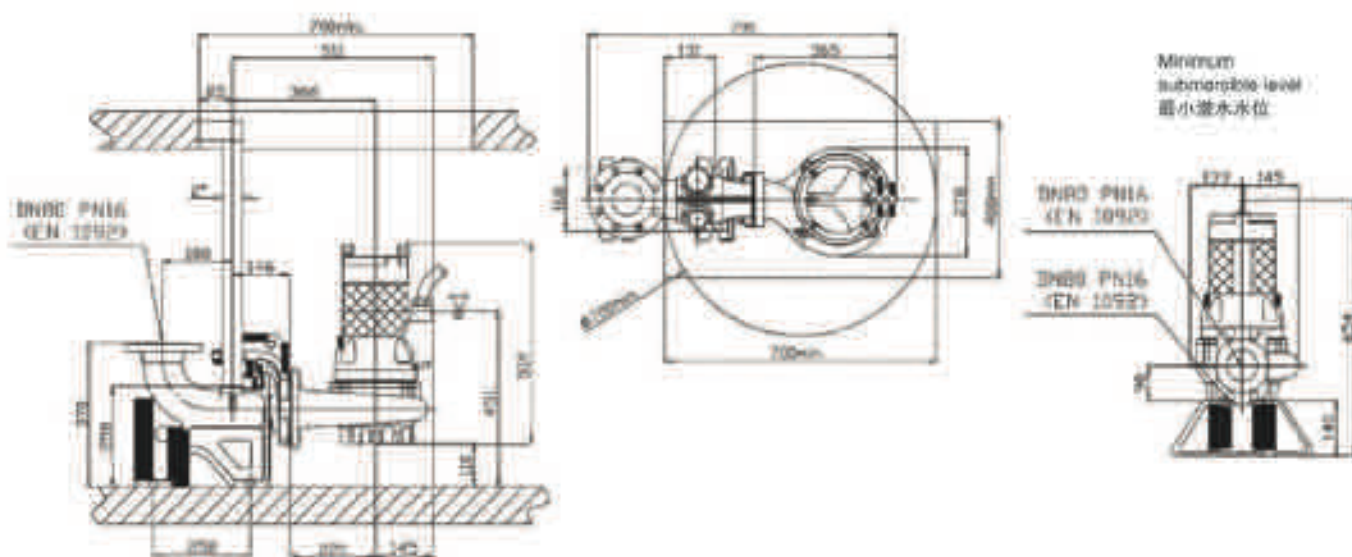
VQC / 铸铁污水泵

## VI、Performance Curve 性能曲线



电压	3ph 400/690V 50Hz	系列号	材料	型号	电机			ATEX 认证号
每分钟转速	2850				额定功率P <sub>n</sub> (kW)	额定电流 I <sub>n</sub> (A)	启动电流 I <sub>s</sub> (A)	
自由通道 (mm)	30	1	7000679	G210R3C1-M30AA2	6	10.9	64.3	7000006
排量直径 (mm)	DN 80	2	7002637	G210R3C2-M30AA2	5	9.1	53.7	7006903
最大重量 (Kg)	75							

## VII、Dimensions 尺寸(mm)



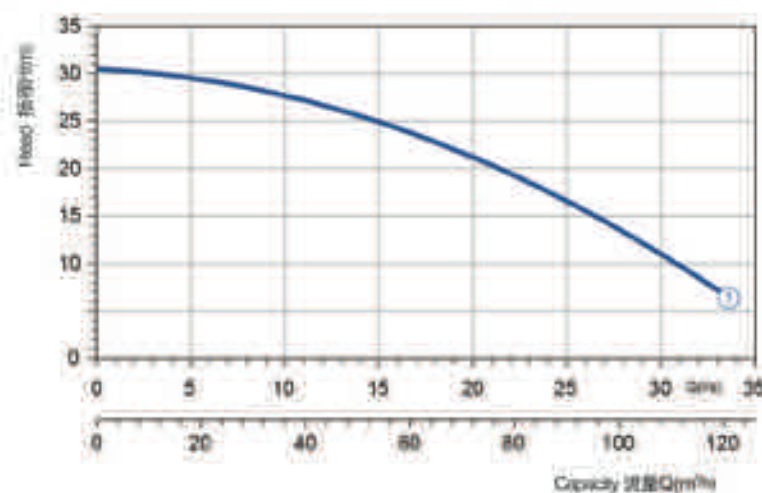
- VG
- D
- V
- S
- M
- H
- C
- T
- P
- XD
- XV
- XG
- XT
- BQ
- BV
- BC
- Installation
- Vx
- VW
- 附录



# SUBMERGED SEWAGE PUMP

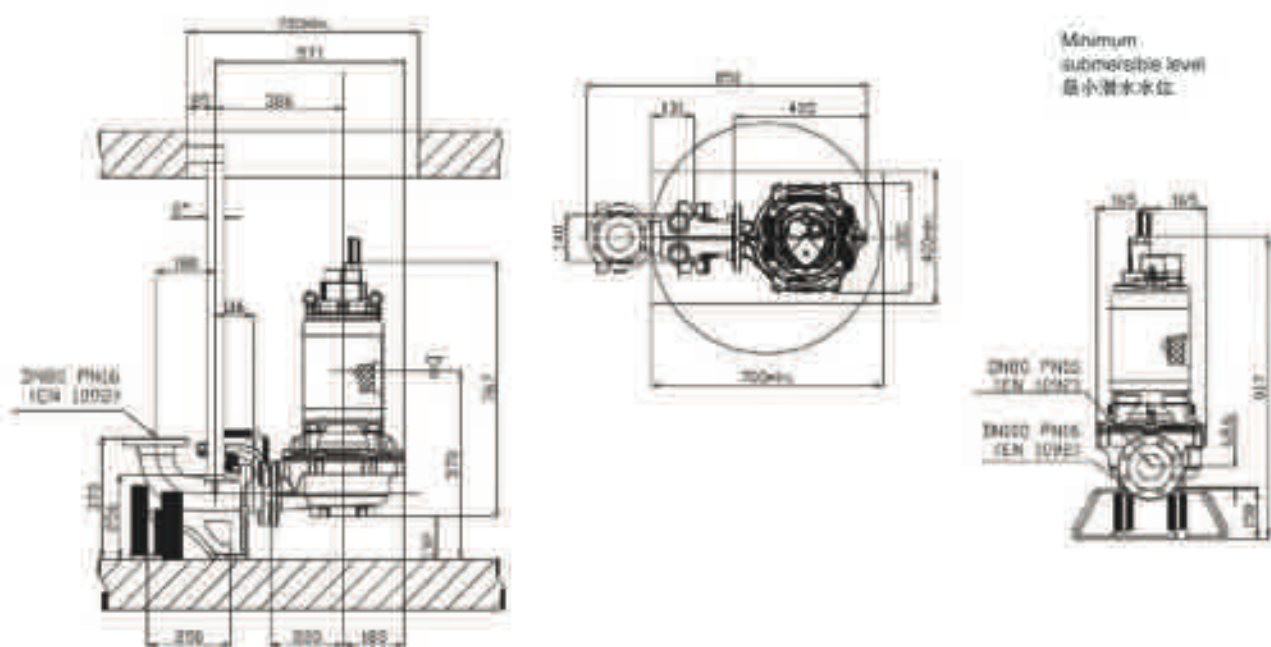
VQC / 铸铁污水泵

## VI、Performance Curve 性能曲线



电压	30h 400/690V 50Hz	系列号	材料	型号	流量	额定功率 (kW)	额定电流 (A)	启动电流 (A)	ATEX 认证号
每分钟转速	2850	1	7000633	G211R3C1-M36AA2	7.5	13.5	79.7	7000457	
自由通道 (mm)	30								
接管直径 (mm)	DN 80								
最大重量 (Kg)	150								

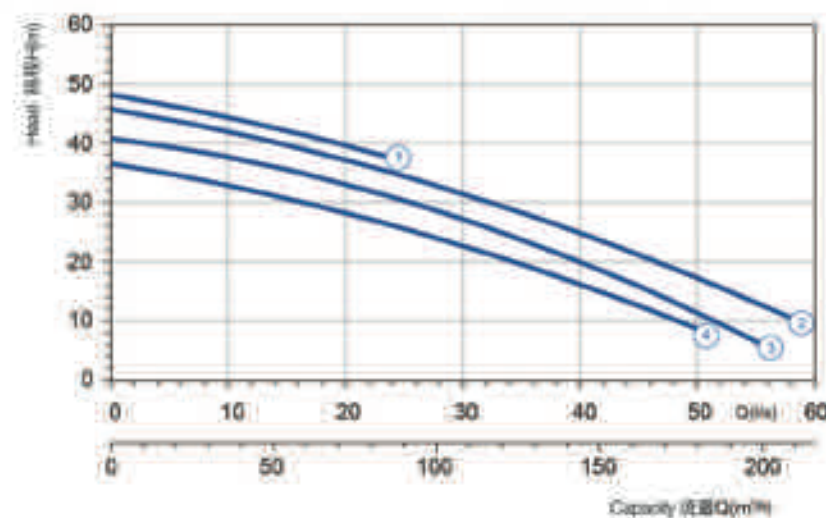
## VII、Dimensions 尺寸(mm)



# SUBMERGED SEWAGE PUMP

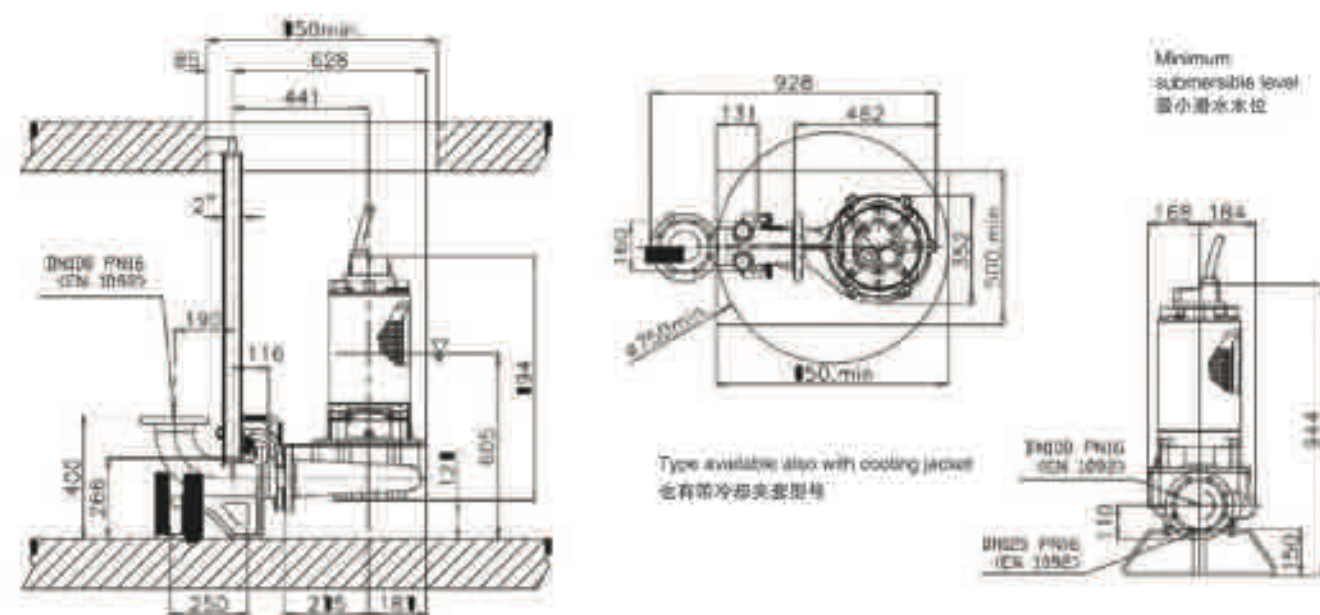
VQC / 铸铁污水泵

## VI、Performance Curve 性能曲线



电压	30h 400/690V 50Hz	系列号	材料	型号	流量	额定功率 (kW)	额定电流 (A)	启动电流 (A)	ATEX 认证号
每分钟转速	2850	1	7000697	G213R3C1-P40AA2	18.2	32.6	192	7007452	
自由通道 (mm)	40	2	7001119	G213R3C2-P40AA2	16.5	29.8	178	7007450	
接管直径 (mm)	DN 100	3	7003027	G213R3C3-P40AA2	14.8	26.8	158	7007451	
最大重量 (Kg)	206	4	7008701	G213R3C4-P40AA2	12	21.7	120	7007453	

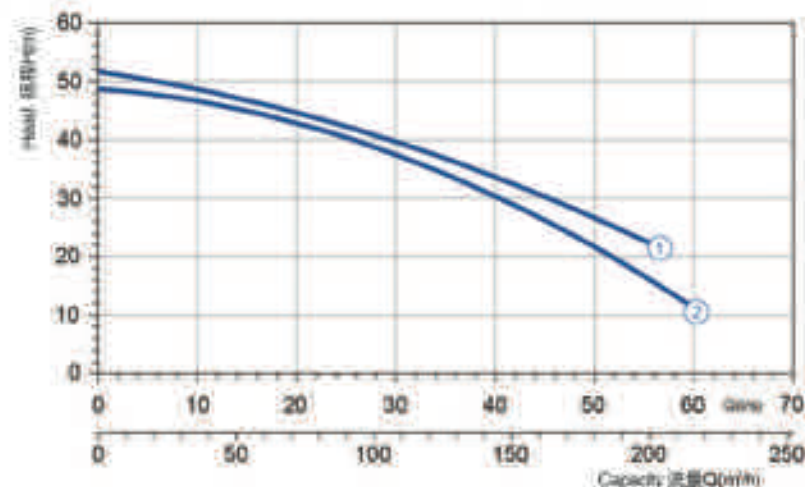
## VII、Dimensions 尺寸(mm)



# SUBMERGED SEWAGE PUMP

VQC / 铸铁污水泵

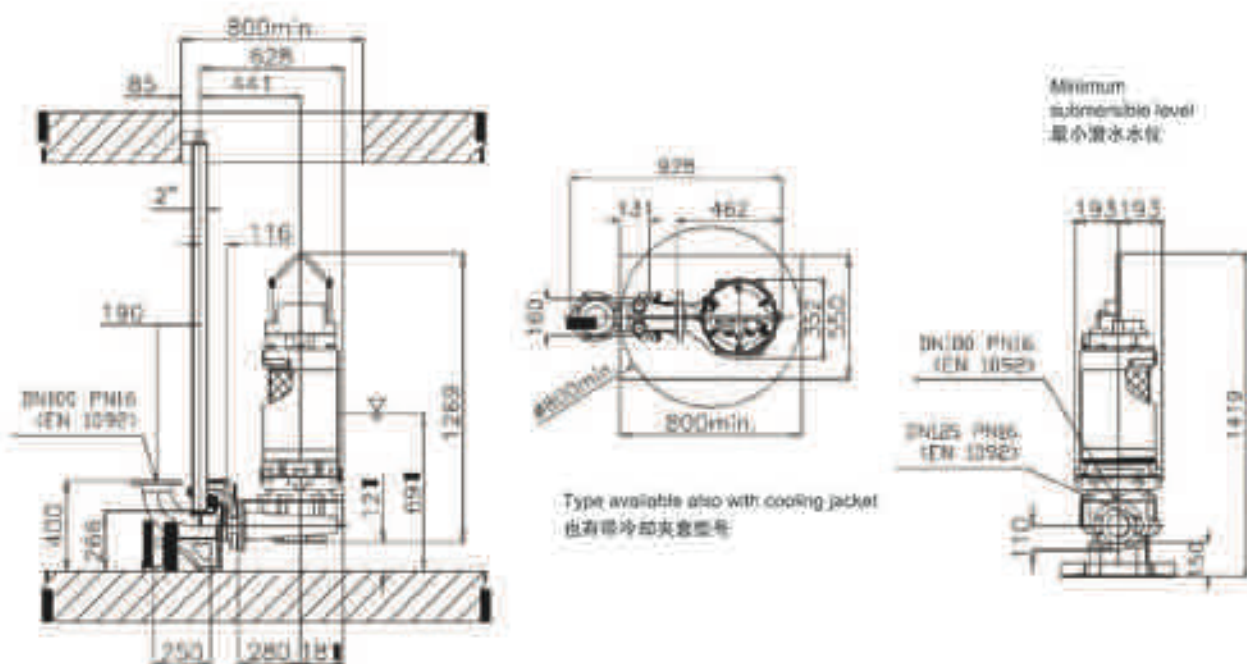
## VI、Performance Curve 性能曲线



电压	3on 400/690V 50Hz
每分钟转数	2850
自由扬程 (mm)	40
排管直径 (mm)	DN 100
最大重量 (Kg)	340

曲线号	材料	型号	电机			ATEX 认证号
			额定功率 (kW)	额定电流 (A)	额定电压 (V)	
1	7006224	G216R3C7-P40AA2	22.4	38.9	228	7006755
2	7000320	G216RRC1-P40AA2	20	35.8	211	7006237

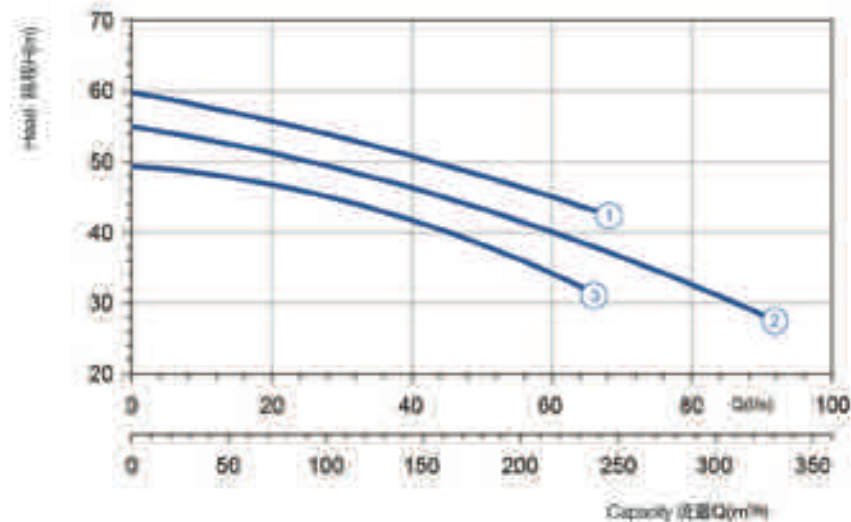
## VII、Dimensions 尺寸(mm)



# SUBMERGED SEWAGE PUMP

VQC / 铸铁污水泵

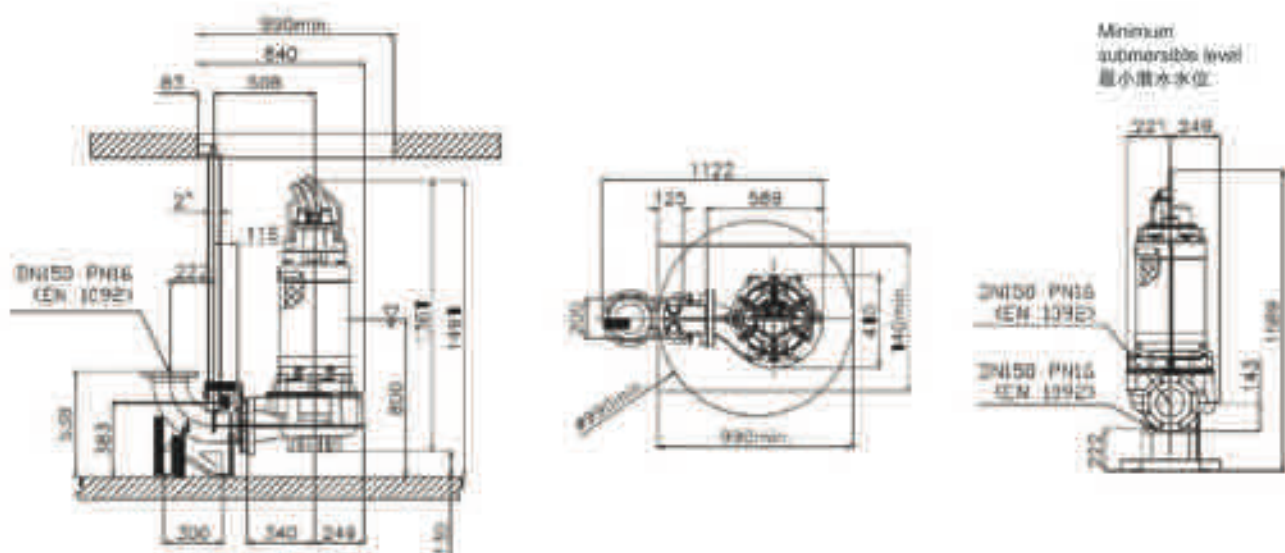
## VI、Performance Curve 性能曲线



电压	3on 400/690V 50Hz
每分钟转数	2850
自由扬程 (mm)	50
排管直径 (mm)	DN 150
最大重量 (Kg)	512

曲线号	材料	型号	电机			ATEX 认证号
			额定功率 (kW)	额定电流 (A)	额定电压 (V)	
1	7007051	G218FQC3-S50AA2	52	90.1	532	7007344
2	7005298	G218FQC2-S50AA2	40.2	71	419	7005511
3	7007343	G218R3C1-S50AA2	35	61.8	365	7006528

## VII、Dimensions 尺寸(mm)



## SUBMERGED SEWAGE PUMP VQ SERIES

SUBMERGED  
PUMPS SEWAGE  
VQ

铸铁C型叶轮



## I、Application 应用

Submersible electric pumps with channels are used prevalently for the lifting of non corrosive dirty waters also with solid bodies in suspension. In particular for screened waste water and drainage of places subject to flooding, crude and activated sludge.

多道渣电潜泵普遍用于提升非腐蚀性脏水以及含有悬浮固体的脏水。特别适用于过筛废水以及洪涝、原油和活性污泥等地方的排水。

## II、Construction Data 结构数据

Submersible electric pumps, robust in construction, watertight electric motor accommodated in compartment, connected, by shafts of reduced lengths, to the impellers situated at the pump outlet by the interposition of oil chamber between the hydraulic side and the electric motor.

潜水电泵构造结实，电动马达室防水密封，由短轴连接到泵壳内的泵轮上，润滑油室位于泵壳的液室侧与电机之间。

## III、Materials 材料

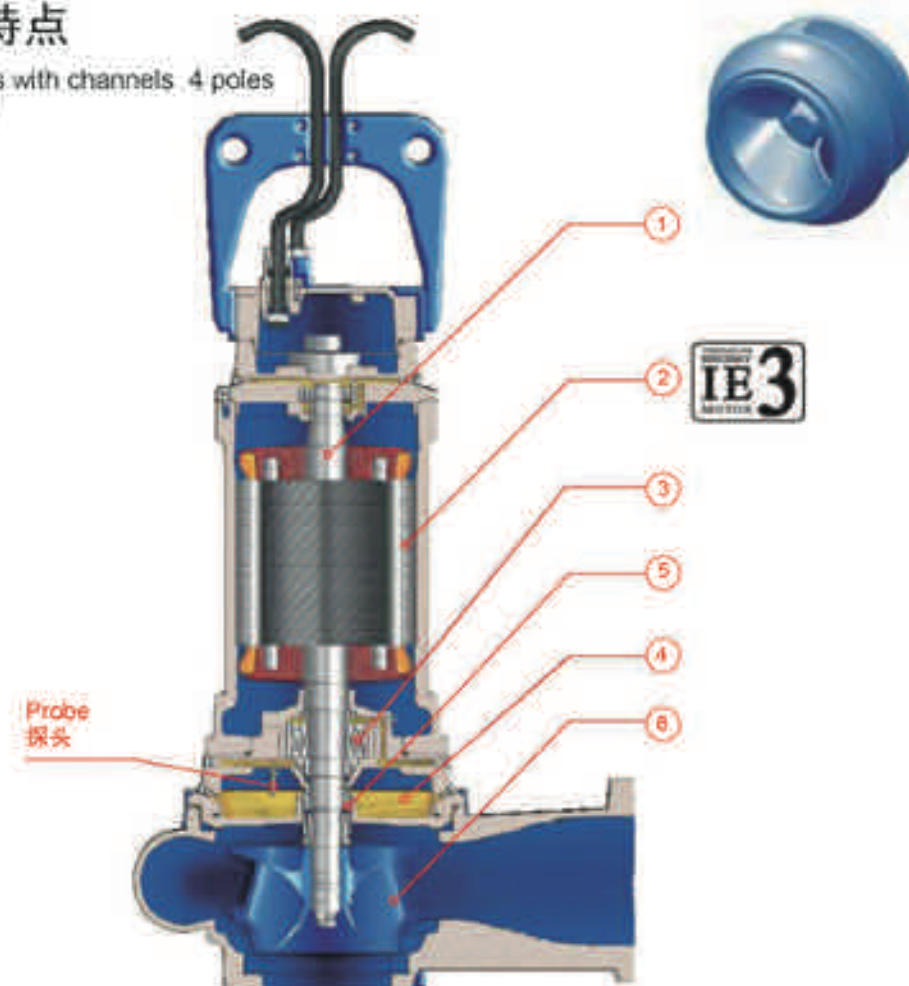
Motor Housing	电机外壳	Cast iron EN-GJL-250	铸铁 EN-GJL-250
Impeller	叶轮球型外壳	Cast-iron EN-GJL-250	铸铁 EN-GJL-250+ 球
Electric Cable	电缆	Neoprene H07RNLF	氯丁橡胶 H07RNLF
Shaft	轴	Stainless Steel AISI 420B/431	不锈钢 AISI 420B/431
O-Rings And Lip Seal	O 形环和唇形密封	Nitrile	丁腈橡胶
Bolt	螺栓	A2 class - AISI 304	A2 类 - AISI 304
Mechanical Seal	机械密封	Silicon Carbide / Silicon Carbide	碳化硅/碳化硅

## SUBMERGED SEWAGE PUMP

VQC / 铸铁污水泵

## IV、Features 特点

Submersible electric pumps with channels 4 poles  
潜水多道渣电泵 / 4 极 | 1450rpm |



- 1 **Shafts** grinded down in ball bearings and mechanical seals seats, over-dimensioned respect to standard parameters of use.
  - 2 **Motor** asynchronous three-phase squirrel cage type, insulation class H(180 ° C). Dry motor, cooled by surrounding liquid. Protection degree IP 68. The motor is projected for continuous or intermittent operation, with a maximum of 15 starts per hour at regular intervals. The motor is projected for working with 5% maximum voltage unbalance between phases.
  - 3 **Ball bearings** overdimensioned, double ball bearing with grease.
  - 4 **Oil chamber** oil lubricates and cools the seals and emulsifies eventual water infiltrations. This electric pump has two types of seals for a perfect insulation between the electric motor and the pumped liquid. Upper seal: mechanical, ceramic / graphite.
  - 5 **Lower seal**: mechanical, silicon carbide.
  - 6 **Impellers** are projected in order to guarantee and assure an high hydraulic efficiency and low power consumption, they have big inter-blades and diffuser free passages, minimum blades number, special blades design, especially diffusers' water-cutter blades designed to avoid filamentous materials catching.
- 1 **轴** 球轴承压入，机械密封座，尺寸大于标准使用参数。
- 2 **异步电机** 三相鼠笼型，绝缘等级 H(180 ° C)，干电机，由周围液体冷却，防护等级 IP 68，电机用于连续或间歇运行，按固定时间间隔每小时最多启动 15 次，电机用于相间电压不平衡最大为 5% 的工作环境。
- 3 **大尺寸滚珠轴承**，双排滚珠轴承，带润滑器具。
- 4 **润滑油室** 润滑和冷却密封件并防止乳化水渗透，该电泵有两种类型密封件，可在电动机和泵送的液体之间完美绝缘。上部密封：陶瓷 / 石墨。
- 5 **底部密封**：机械密封，碳化硅密封。
- 6 **泵轮** 用于保证和确保高液力效率，低功耗，泵轮有大内叶片和扩压器自由通道，最小叶片数，特殊的叶片设计，特别是扩压器的水刀刀片设计，可避免纤维材料缠绕。

VQ

D

V

S

M

H

C

T

P

XD

XV

XC

XT

BD

BV

BC

Installation

Vx

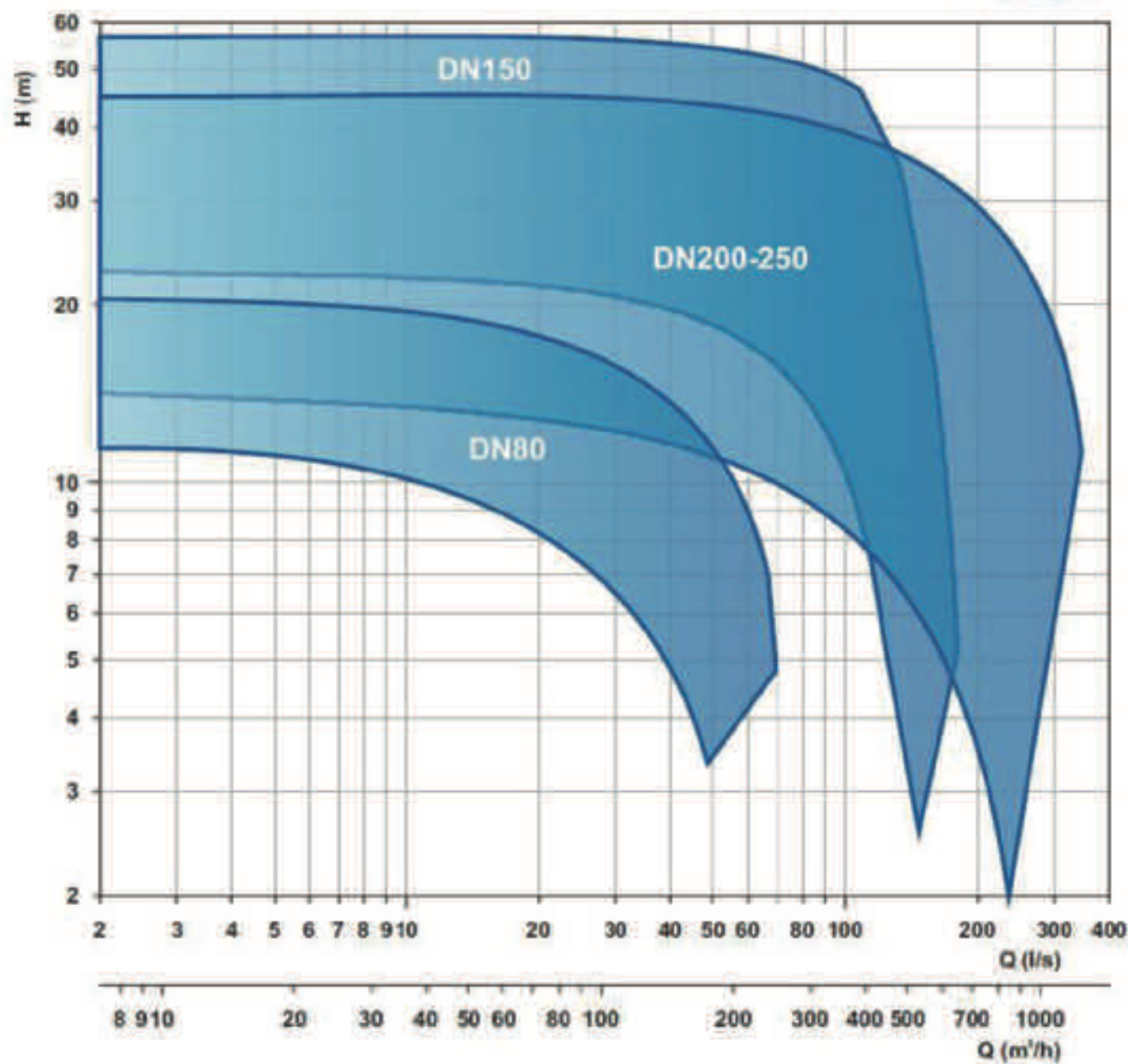
VW

附录

# SUBMERGED SEWAGE PUMP

VQC / 铸铁污水泵

V、Submersible electric pumps with channels 4 poles  
潜水多流道电泵/4极 (1450rpm)

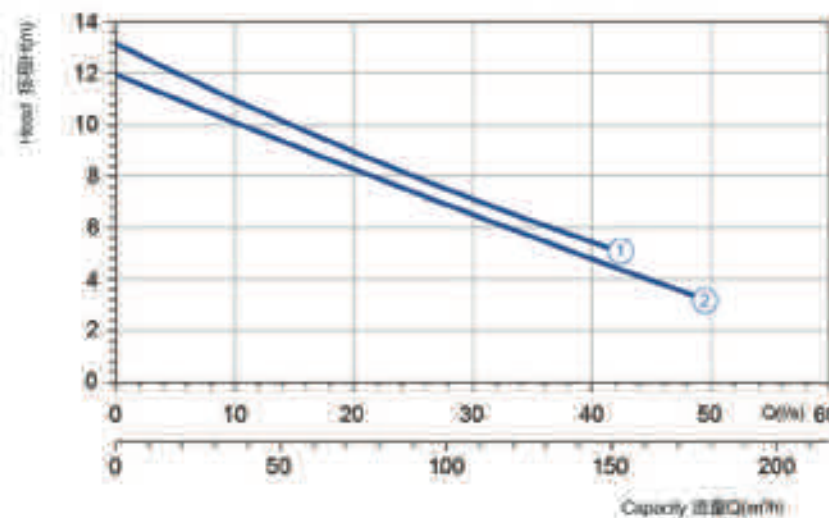


Technical data sheets are available on our web site [www.u-flo.com](http://www.u-flo.com)  
技术数据表可访问我们的网站获取: [www.u-flo.com](http://www.u-flo.com)

# SUBMERGED SEWAGE PUMP

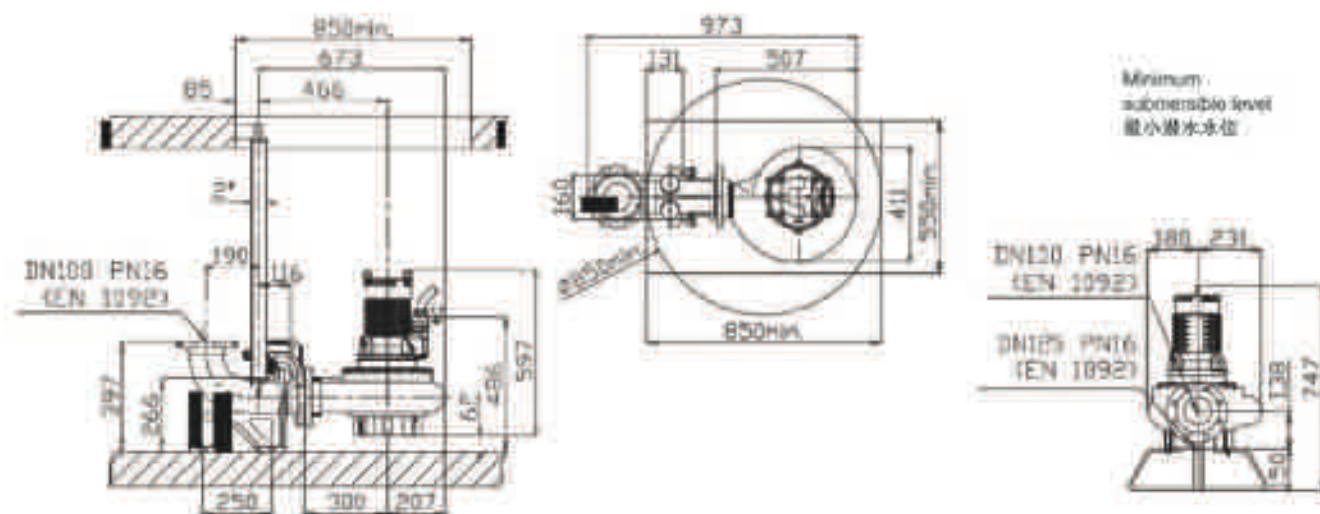
VQC / 铸铁污水泵

VI、Performance Curve 性能曲线



电压	Sub: 400/690V 30Hz	流量 (l/s)	材料	型号	额定功率 (kW)	额定电流 (A)	启动电流 (IA)	ATEX 认证号
每分钟转速	1450	1	7000110	G410R2C2-PR0AA2	4.8	9.3	46.5	7000074
自由通道 (mm)	80	2	7000131	G410R2C3-PR0AA2	4.5	9.3	46.5	7001475
排量直径 (mm)	DN 100							
最大重量 (Kg)	115							

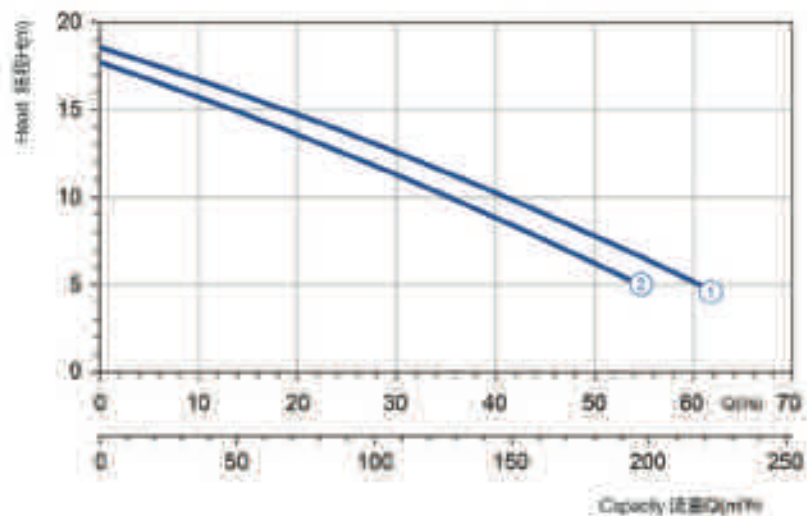
VII、Dimensions 尺寸(mm)



# SUBMERGED SEWAGE PUMP

VQC / 铸铁污水泵

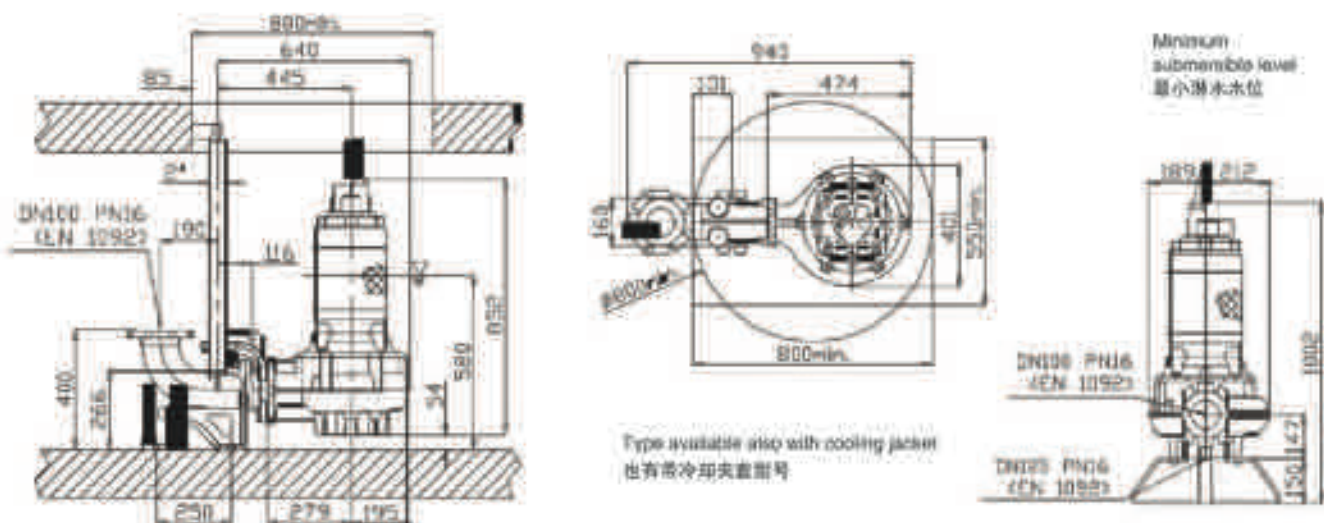
## VI、Performance Curve 性能曲线



电压	3ph 400/690V 50Hz
每分钟转速	1450
自由通道 (mm)	80
接管直径 (mm)	DN 100
最大重量 (Kg)	175

电压	代码	型号	额定功率P2 (kW)	额定流量Q (m³/h)	启动电流Ia (A)	ATEX 认证号
1	7003976	G411R2C6-P80AA2	7.5	14.3	84.4	700798
2	7003737	G411R2C2-P60AA2	7.1	13.5	79.7	7007498

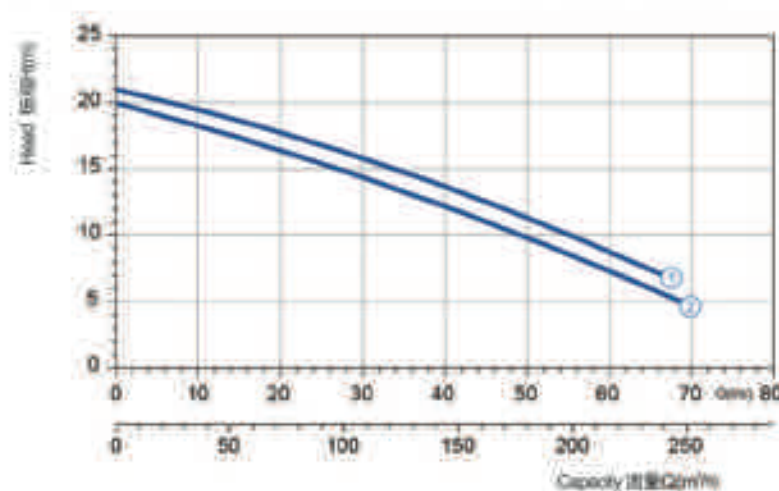
## VII、Dimensions 尺寸(mm)



# SUBMERGED SEWAGE PUMP

VQC / 铸铁污水泵

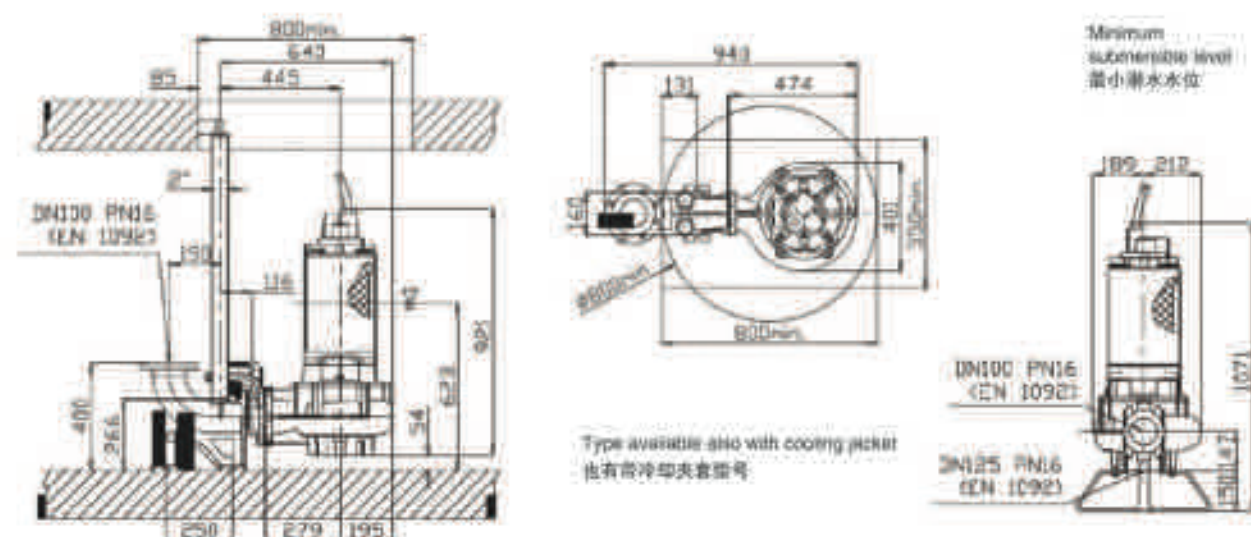
## VI、Performance Curve 性能曲线



电压	3ph 400/690V 50Hz
每分钟转速	1450
自由通道 (mm)	80
接管直径 (mm)	DN 100
最大重量 (Kg)	205

电压	代码	型号	额定功率P2 (kW)	额定流量Q (m³/h)	启动电流Ia (A)	ATEX 认证号
1	7001435	G413R2C1-P80AA2	10	19	112	7007491
2	7009338	G413R2C6-P80AA2	10	19	112	7003712

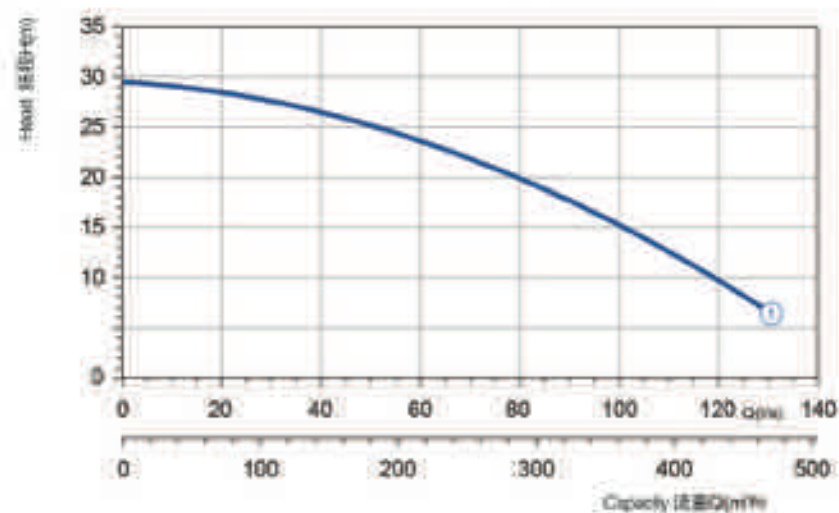
## VII、Dimensions 尺寸(mm)



# SUBMERGED SEWAGE PUMP

VQC / 铸铁污水泵

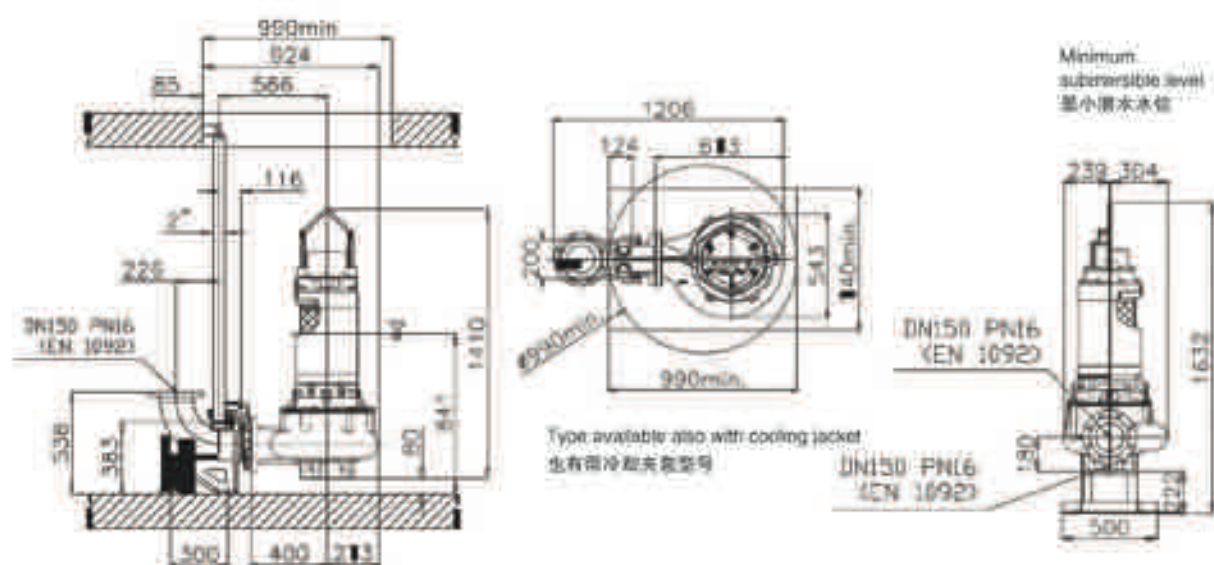
## VI、Performance Curve 性能曲线



电压	3ph 400/690V 50Hz
每分钟转速	1450
自由通道 (mm)	80
接管直径 (mm)	DN150
最大重量 (Kg)	450

电压	代码	型号	额定功率P2 (kW)	额定流量Q (m³/h)	额定电压U (V)	ATEX 认证号
1	7007347	G418R2C1-S80AA2	27	49.6	293	7001212

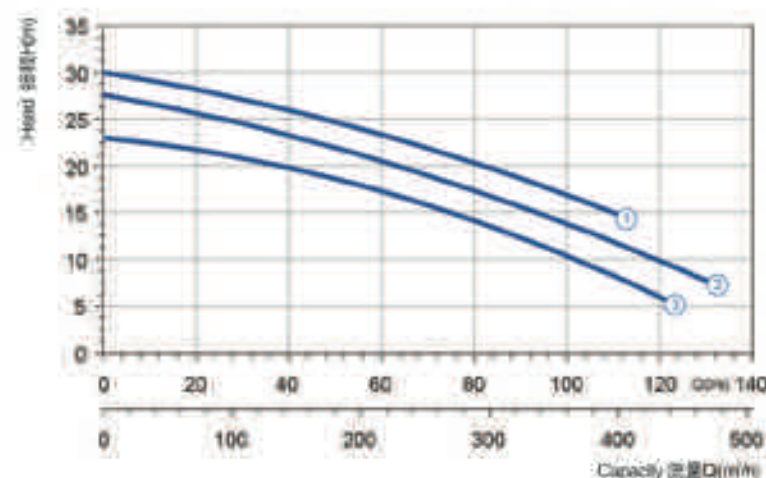
## VII、Dimensions 尺寸(mm)



# SUBMERGED SEWAGE PUMP

VQC / 铸铁污水泵

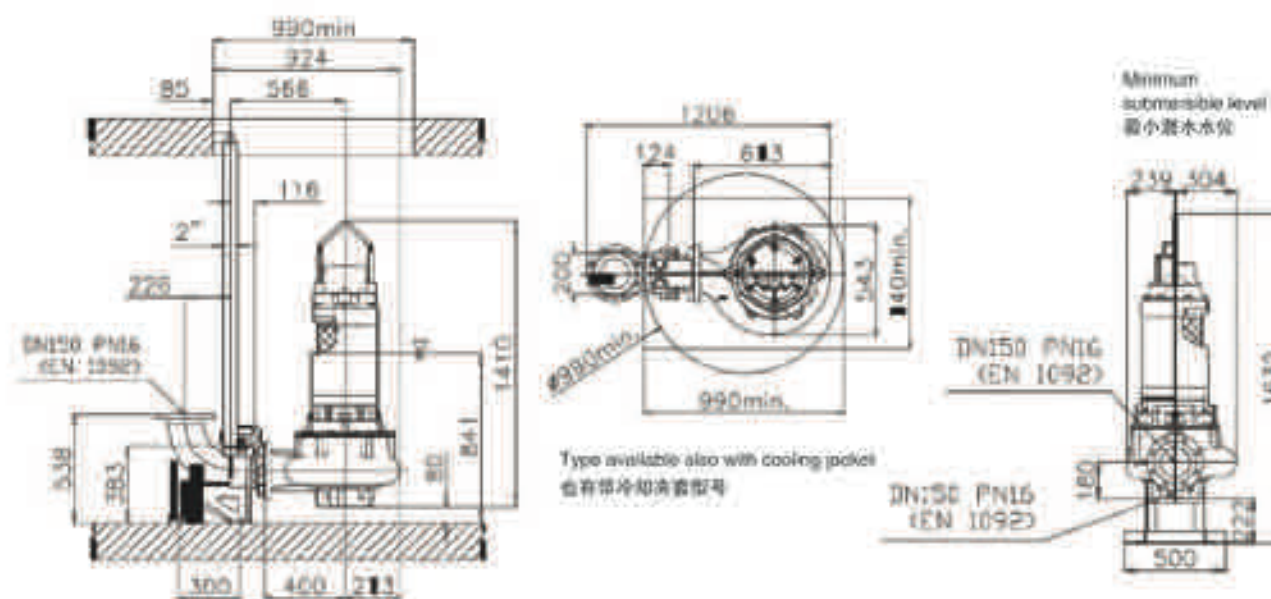
## VI、Performance Curve 性能曲线



电压	3ph 400/690V 50Hz
每分钟转速	1450
自由通道 (mm)	100
接管直径 (mm)	DN150
最大重量 (Kg)	430

电压	代码	型号	额定功率P2 (kW)	额定流量Q (m³/h)	额定电压U (V)	ATEX 认证号
1	7009328	G418R2C1-S100AA2	30	54.3	320	7004978
2	7007367	G418R2C2-S100AA2	27	49.6	293	7000438
3	7006779	G418R2C3-S100AA2	23	42.2	249	7009457

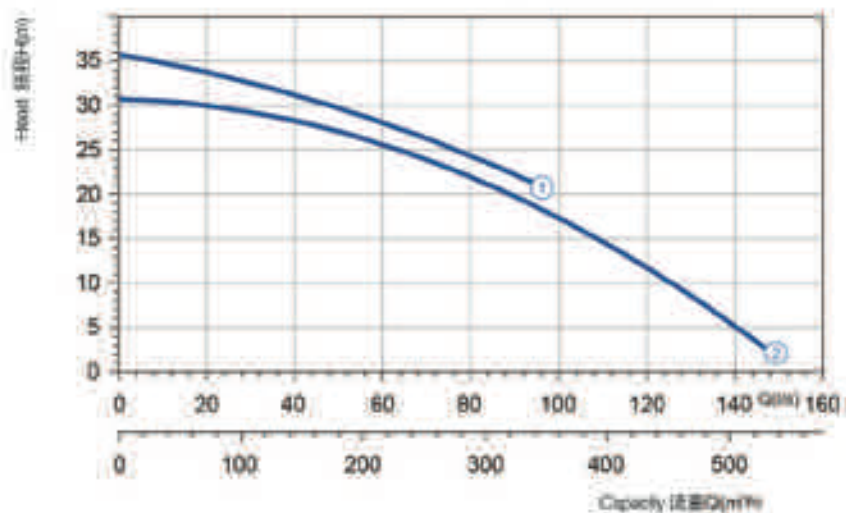
## VII、Dimensions 尺寸(mm)



# SUBMERGED SEWAGE PUMP

VQC / 铸铁污水泵

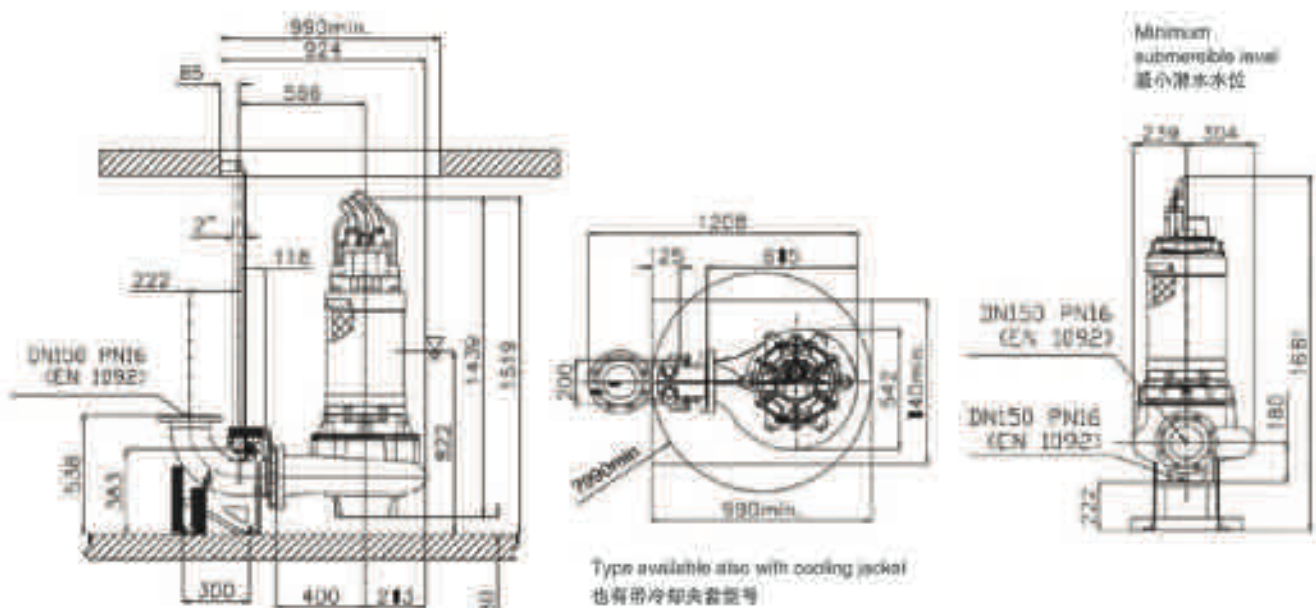
## VI、Performance Curve 性能曲线



电压	3ph 400/690V 50Hz
每分钟转速	1450
自由通道 (mm)	80
接管直径 (mm)	DN 150
最大重量 (Kg)	515

电压	代码	型号	额定功率P2 (kW)	额定流量Q (m³/h)	额定扬程H (m)	ATEX 认证号
1	7009877	G418R2C1-S80AA2	35.7	63.8	375	7001313
2	7009863	G418R2C2-S80AA2	30	64.3	320	7008299

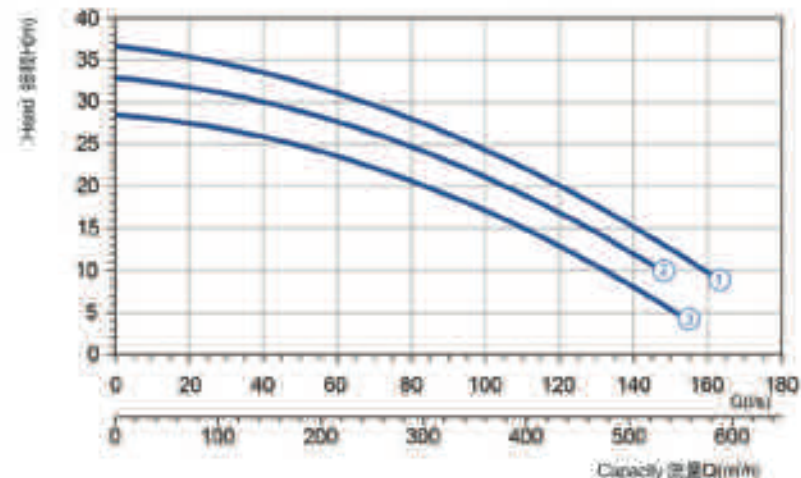
## VII、Dimensions 尺寸(mm)



# SUBMERGED SEWAGE PUMP

VQC / 铸铁污水泵

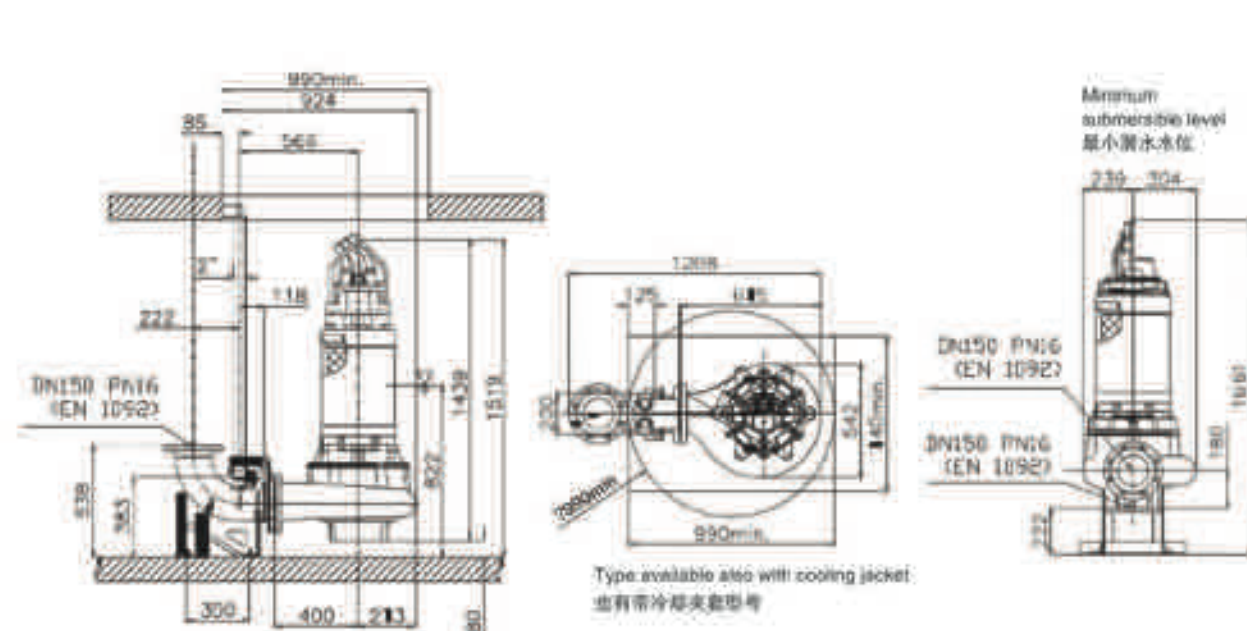
## VI、Performance Curve 性能曲线



电压	3ph 400/690V 50Hz
每分钟转速	1450
自由通道 (mm)	100
接管直径 (mm)	DN 150
最大重量 (Kg)	518

电压	代码	型号	额定功率P2 (kW)	额定流量Q (m³/h)	额定扬程H (m)	ATEX 认证号
1	7001302	G418R2C1-S100AA2	41	73.1	431	7006085
2	7009883	G418R2C5-S100AA2	35.7	63.6	375	7006683
3	7009847	G418R2C2-S100AA2	30	64.3	320	7008340

## VII、Dimensions 尺寸(mm)

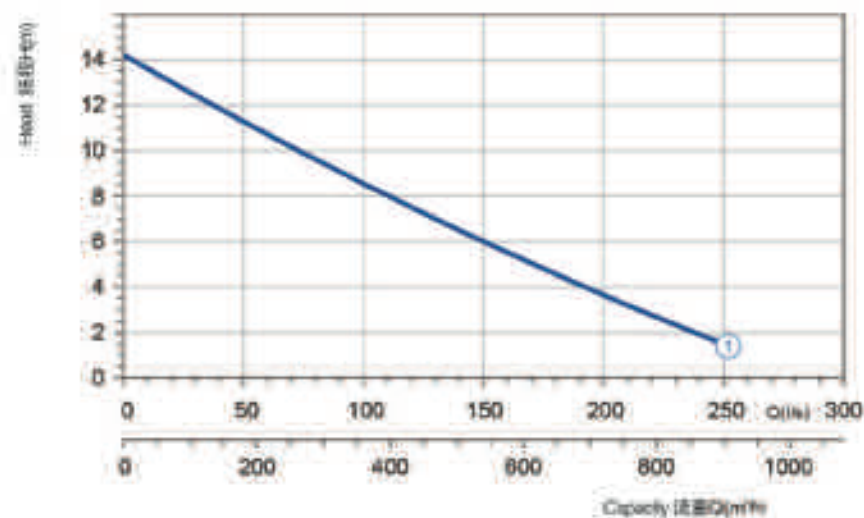


- VG
- D
- V
- S
- M
- H
- C
- T
- P
- XD
- XV
- XG
- XT
- BQ
- BV
- BC
- Installation
- Vx
- VW
- 附录

# SUBMERGED SEWAGE PUMP

VQC / 铸铁污水泵

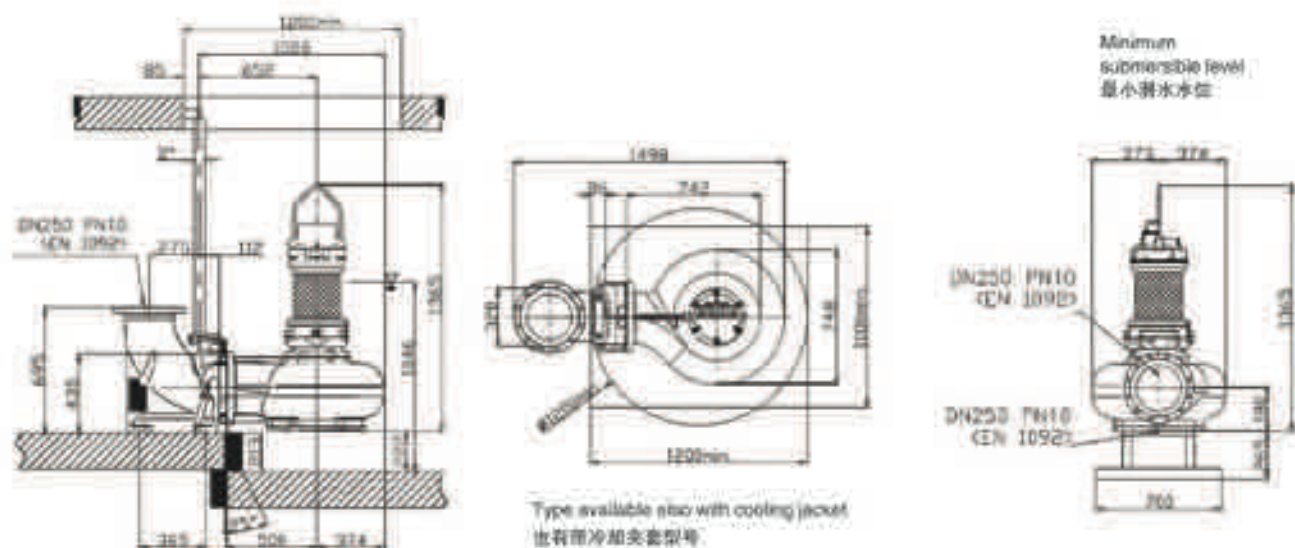
## VI、Performance Curve 性能曲线



电压	3ph 400/690V 50Hz
每分钟转速	1450
自由通道 (mm)	73
接管直径 (mm)	DN 250
最大重量 (Kg)	440

电压	代码	型号	额定功率P2 (kW)	额定流量Q (m³/h)	启动电流Ia (A)	ATEX 认证号
3	7000399	G41BR3C1-V73KA2	15	27.6	164	7002134

## VII、Dimensions 尺寸(mm)

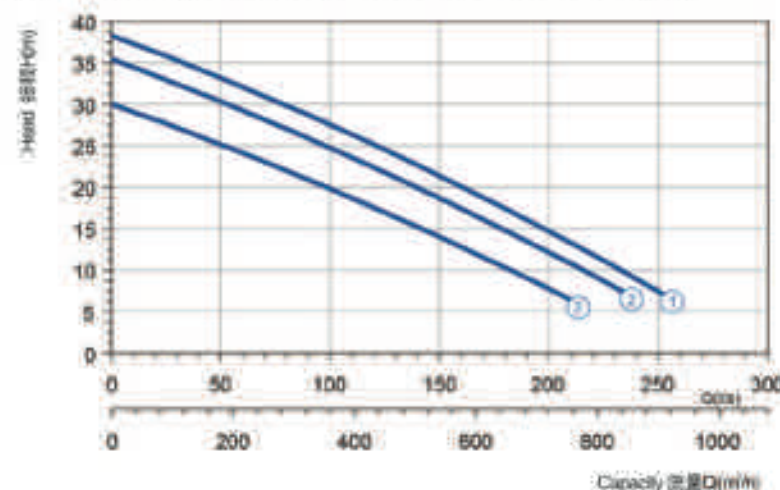


Type available also with cooling jacket  
也有带冷却夹套型号

# SUBMERGED SEWAGE PUMP

VQC / 铸铁污水泵

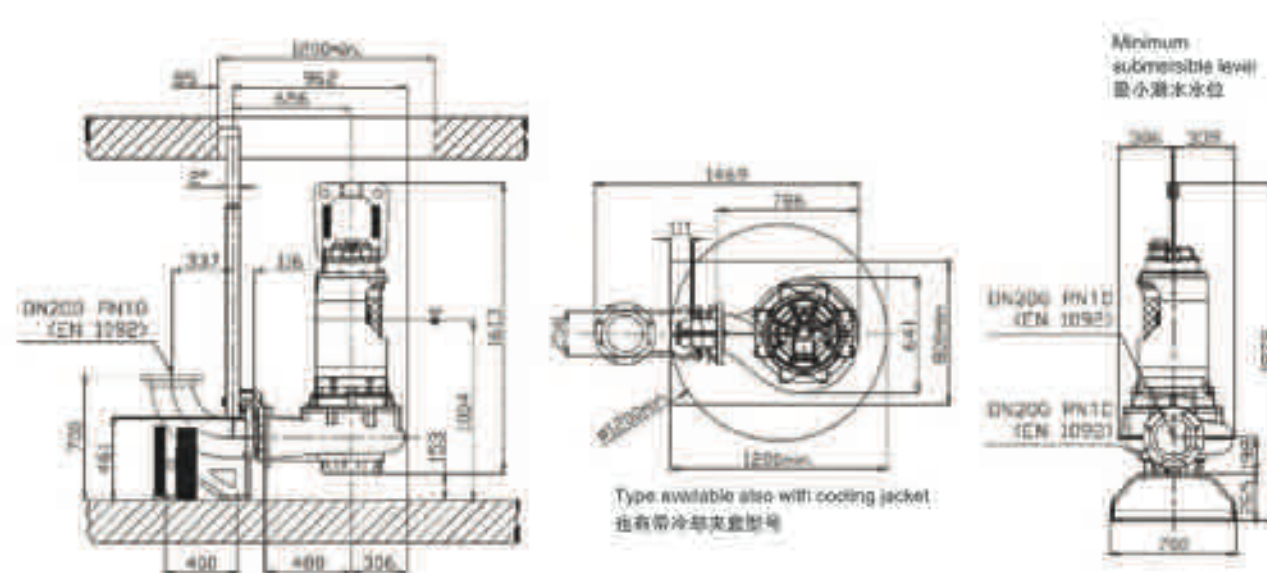
## VI、Performance Curve 性能曲线



电压	3ph 400/690V 50Hz
每分钟转速	1450
自由通道 (mm)	102
接管直径 (mm)	DN 200
最大重量 (Kg)	695

电压	代码	型号	额定功率P2 (kW)	额定流量Q (m³/h)	启动电流Ia (A)	ATEX 认证号
3	7000398	G420R2C1-T102AA2	48	85.2	503	-
3	7000483	G420R2C2-T102AA2	44	78.1	461	-
3	7000488	G420R2C3-T102AA2	40	71.3	421	-

## VII、Dimensions 尺寸(mm)



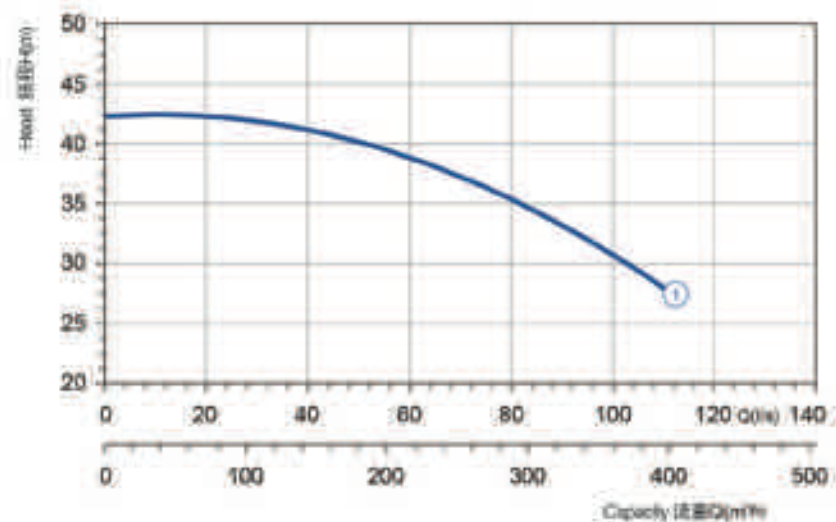
Type available also with cooling jacket  
也有带冷却夹套型号



# SUBMERGED SEWAGE PUMP

VQC / 铸铁污水泵

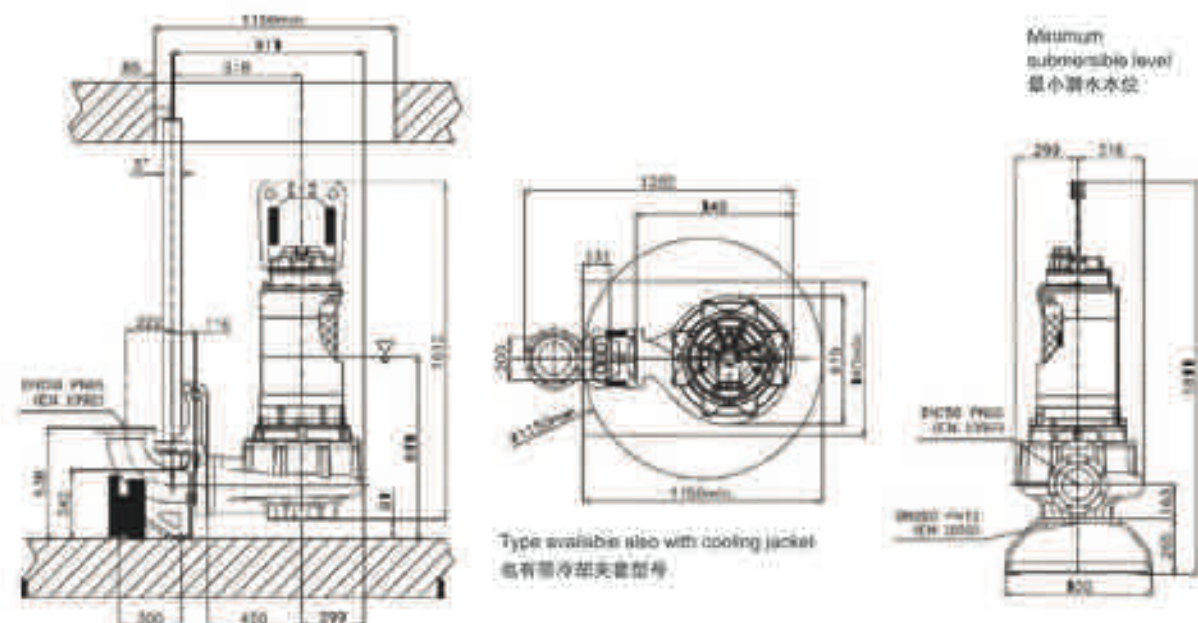
## VI、Performance Curve 性能曲线



电压	3ph 400/690V 50Hz
每分钟转速	1450
自由扬程 (mm)	60
接管直径 (mm)	DN 150
最大重量 (Kg)	245

电压	代码	型号	额定功率P2 (kW)	额定流量Q (m³/h)	启动电流I (A)	ATEX 认证
3	7005175	G420R3C7-S60AA2	60	101	598	-

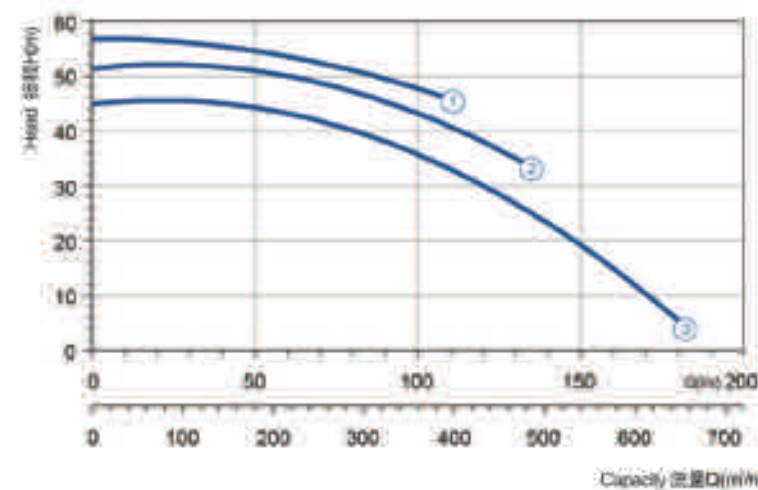
## VII、Dimensions 尺寸(mm)



# SUBMERGED SEWAGE PUMP

VQC / 铸铁污水泵

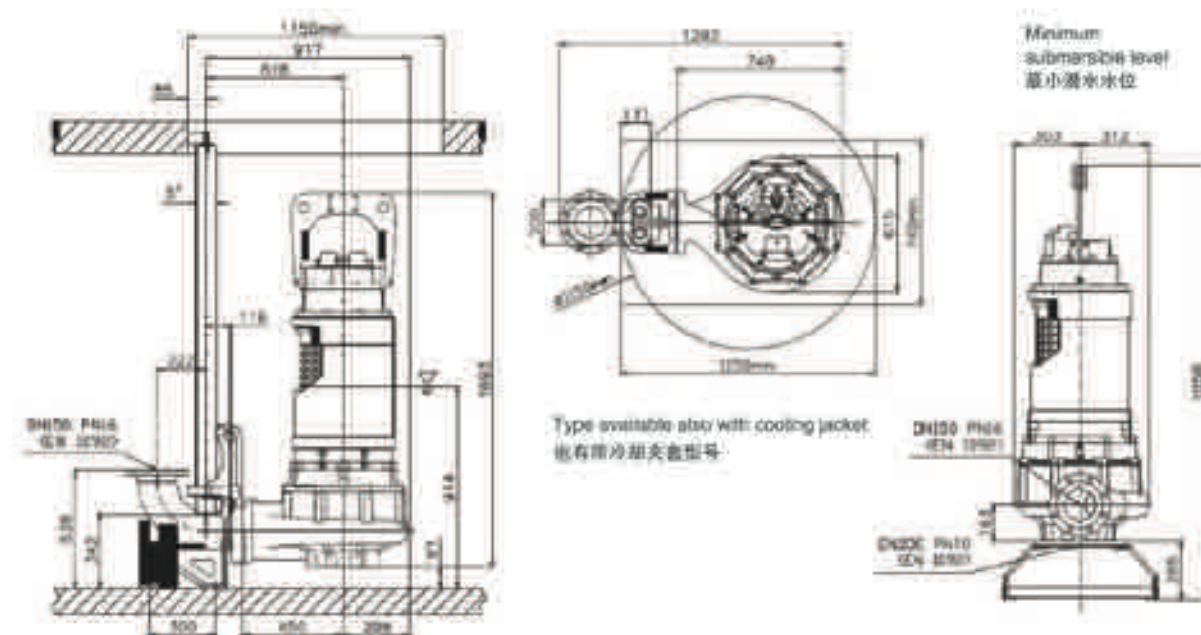
## VI、Performance Curve 性能曲线



电压	3ph 400/690V 50Hz
每分钟转速	1450
自由扬程 (mm)	60
接管直径 (mm)	DN 150
最大重量 (Kg)	915

电压	代码	型号	额定功率P2 (kW)	额定流量Q (m³/h)	启动电流I (A)	ATEX 认证
3	7005290	G425R3C1-S60AA2	80	135	795	-
3	7005400	G425R3C2-S60AA2	60	135	795	-
3	7005508	G425R3C3-S60AA2	75	125	745	-

## VII、Dimensions 尺寸(mm)

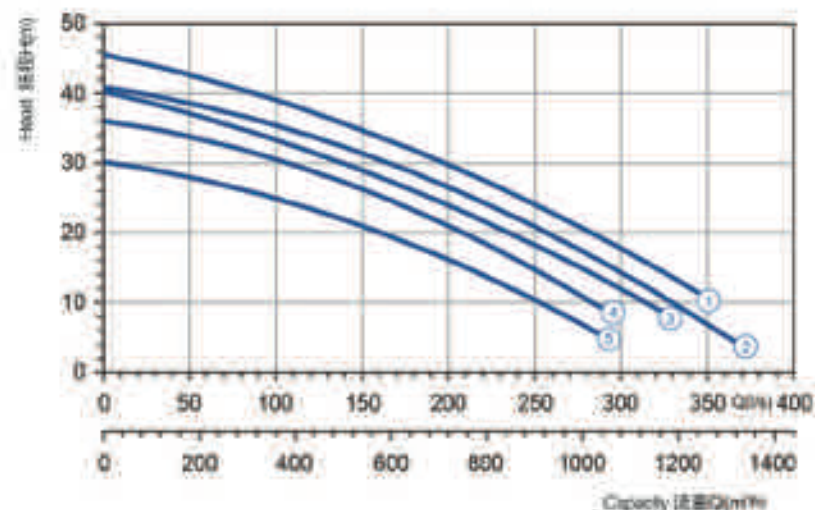


# SUBMERGED SEWAGE PUMP

VQC / 铸铁污水泵

SUBMERGED SEWAGE PUMP VQ SERIES

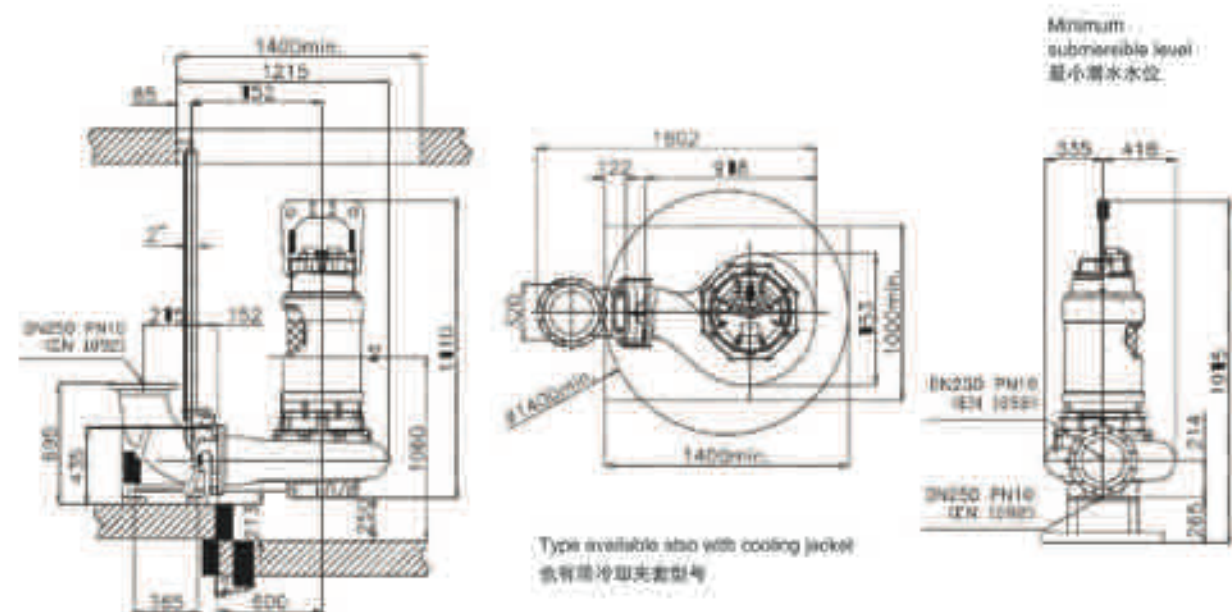
## VI、Performance Curve 性能曲线



电压	3ph 400/690V 50Hz
每分钟转速	1450
自由扬程 (mm)	105
排量口径 (mm)	DN 250
最大重量 (kg)	980

电机	代码	型号	额定功率 (kW)	额定电压 (V)	额定电流 (A)	ATEX 认证
1	7000228	G425R2C1-V105AAZ	85	143	845	-
2	7000230	G425R2C3-V105AAZ	75	128	745	-
3	7000223	G425R2C4-V105AAZ	75	128	745	-
4	7000325	G425R2C4-V105AAZ	85	110	847	-
4	7009678	G425R2C6-V105AAZ	55.1	93	549	-

## VII、Dimensions 尺寸(mm)



# SUBMERGED PUMPS SEWAGE



铸铁C型叶轮

## I、Application 应用

Submersible electric pumps with channels are used prevalently for the lifting of non corrosive dirty waters also with solid bodies in suspension. In particular for screened waste water and drainage of places subject to flooding, crude and activated sludge.

多通道电潜泵者适用于提升非腐蚀性脏水以及含有悬浮固体的脏水。特别适用于过筛废水以及洪涝、原油和活性污泥等地方的排水。

## II、Construction Data 结构数据

Submersible electric pumps, robust in construction, watertight electric motors accommodated in compartment, connected, by shafts of reduced lengths, to the impellers situated at the pump housing by the interposition of oil chamber between the hydraulic side and the electric motor.

潜水电泵构造结实，电动机室防水密封，由短轴连接到泵壳内的泵轮上，润滑油室位于泵壳的液压侧与电机之间。

## III、Materials 材料

Motor Housing	电机外壳	Cast iron EN-GJL-250	铸铁 EN-GJL-250
Impeller	叶轮球形外壳	Cast-iron EN-GJL-250	铸铁 EN-GJL-250+ 螺
Electric Cable	电缆	Neoprene H07RN-F	氯丁橡胶 H07RN-F
Shaft	轴	Stainless Steel AISI 420B-431	不锈钢 AISI 420B/431
O-Rings And Lip Seal	O 形环和唇形密封	Nitrile	丁腈橡胶
Bolt	螺栓	A2 class - AISI 304	A2 类 - AISI 304
Mechanical Seal	机械密封	Silicon Carbide / Silicon Carbide	碳化硅-碳化硅

VQ

D

V

S

M

H

C

T

P

XD

XV

XC

XT

BD

BV

BC

Installation

Vx

VW

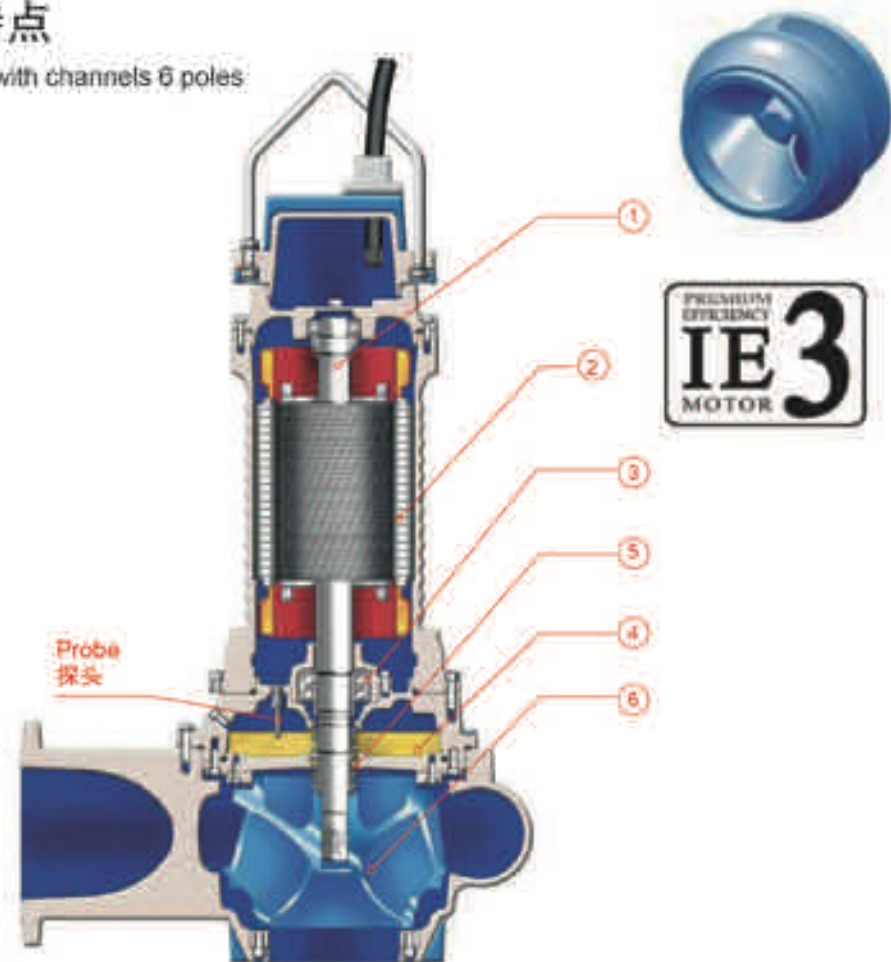
附页

# SUBMERGED SEWAGE PUMP

VQC / 铸铁污水泵

## IV、Features 特点

Submersible electric pumps with channels 6 poles  
潜水多流道电泵/6极 (980rpm)



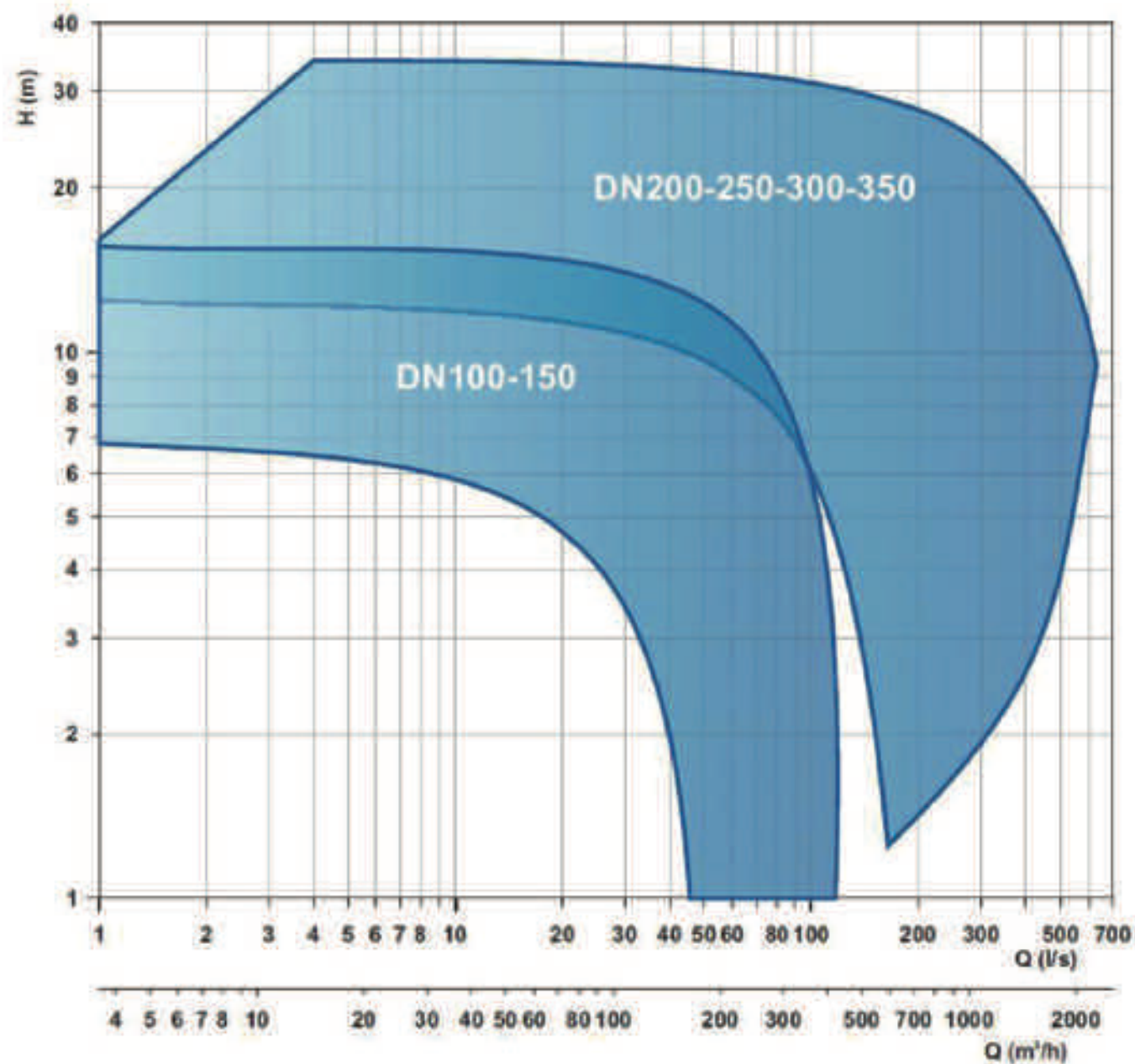
- 1 **Shafts** grinded down in ball bearings and mechanical seals seats, over-dimensioned respect to standard parameters of use.
  - 2 **Motor** asynchronous three-phase squirrel cage type, insulation class H(180 ° C). Dry motor, cooled by surrounding liquid. Protection degree IP 68. The motor is projected for continuous or intermittent operation, with a maximum of 15 starts per hour at regular intervals. The motor is projected for working with 5% maximum voltage unbalance between phases.
  - 3 **Ball bearings** overdimensioned, life lubricated, maintenance free.
  - 4 **Oil chamber** oil lubricates and cools the seals and emulsifies eventual water infiltrations. This electric pump has two types of seals for a perfect insulation between the electric motor and the pumped liquid. Upper seal: mechanical, ceramic / graphite.
  - 5 **Lower seal**: mechanical, silicon carbide.
  - 6 **Impellers** are projected in order to guarantee and assure an high hydraulic efficiency and low power consumption, they have big inter-blades and diffuser free passages, minimum blades number, special blades design, especially diffusers' water-cutter blades designed to avoid filamentous materials catching.
- 1 轴深球轴承压入、机械密封座，尺寸大于标准使用参数。
- 2 异步电机三相鼠笼型，绝缘等级 H(180 ° C)、干电机，由周围液体冷却，防护等级 IP 68。电机用于连续或间歇运行，按固定时间间隔每小时最多启动 15 次。电机用于相间电压不平衡最大为 5% 的工作环境。
- 3 大尺寸球珠轴承，长效润滑，免维护。
- 4 润滑油室油润滑和冷却密封件并避免乳化水渗透。该电泵有两种类型密封件，可在电动机和泵送的液体之间完美绝缘。  
上部密封：陶瓷 / 石墨。
- 5 底部密封：机械密封，碳化硅密封。
- 6 泵轮用于保证和确保高水力效率、低功耗。泵轮有大内叶片和扩压器自由通道，最小叶片数，特殊的叶片设计，特别是扩压器的水刀叶片设计，可避免丝状材料缠绕。

# SUBMERGED SEWAGE PUMP

VQC / 铸铁污水泵

## V、Submersible electric pumps with channels 6 poles

潜水多流道电泵/6极 (980rpm)

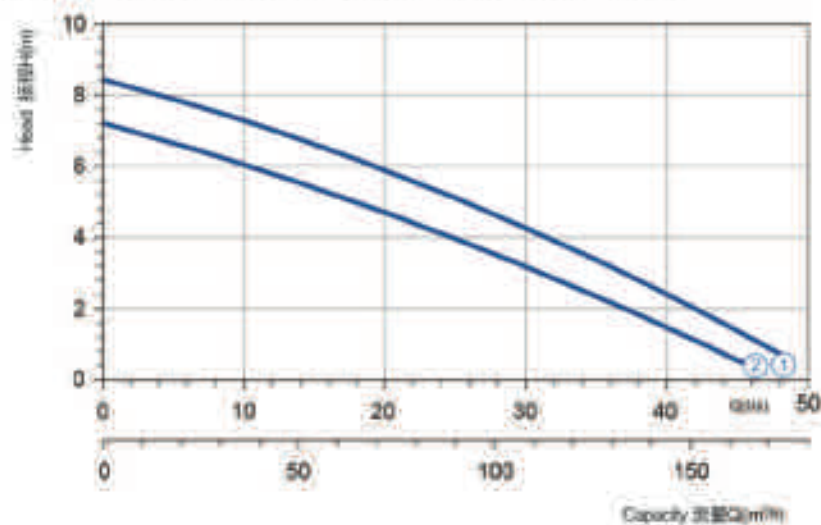


Technical data sheets are available on our web site [www.u-flo.com](http://www.u-flo.com)  
技术数据表可访问我们的网站获取：[www.u-flo.com](http://www.u-flo.com)

# SUBMERGED SEWAGE PUMP

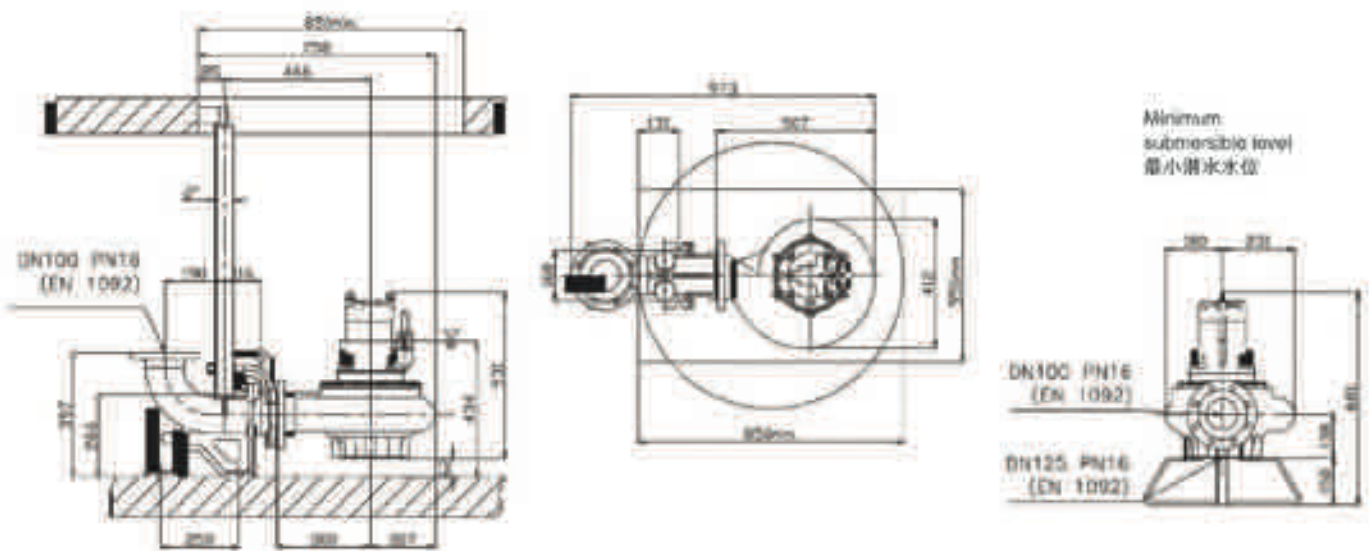
VQC / 铸铁污水泵

## VI、Performance Curve 性能曲线



电压	3ph 400V 50Hz	系列号	材料	型号	电机	ATEX 认证号		
每分钟转速	950				额定功率P2 (kW)	额定电流 (A)	额定转速n (r/min)	
自由通道 (mm)	80	1	7006535	G60R2C1-P80AA1	2.7	5.8	33.6	7007628
排量直径 (mm)	DN100	2	7009781	G60R2C2-P80AA2	2.1	4.5	25.2	7009848
最大重量 (Kg)	95							

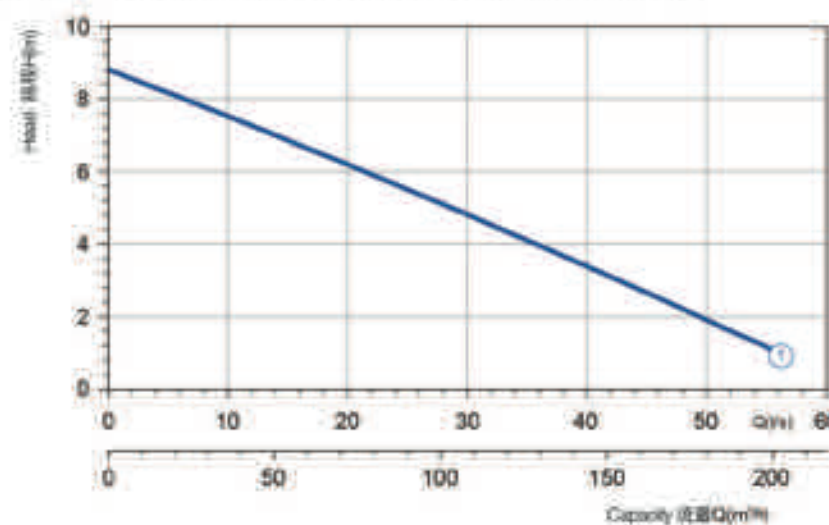
## VII、Dimensions 尺寸(mm)



# SUBMERGED SEWAGE PUMP

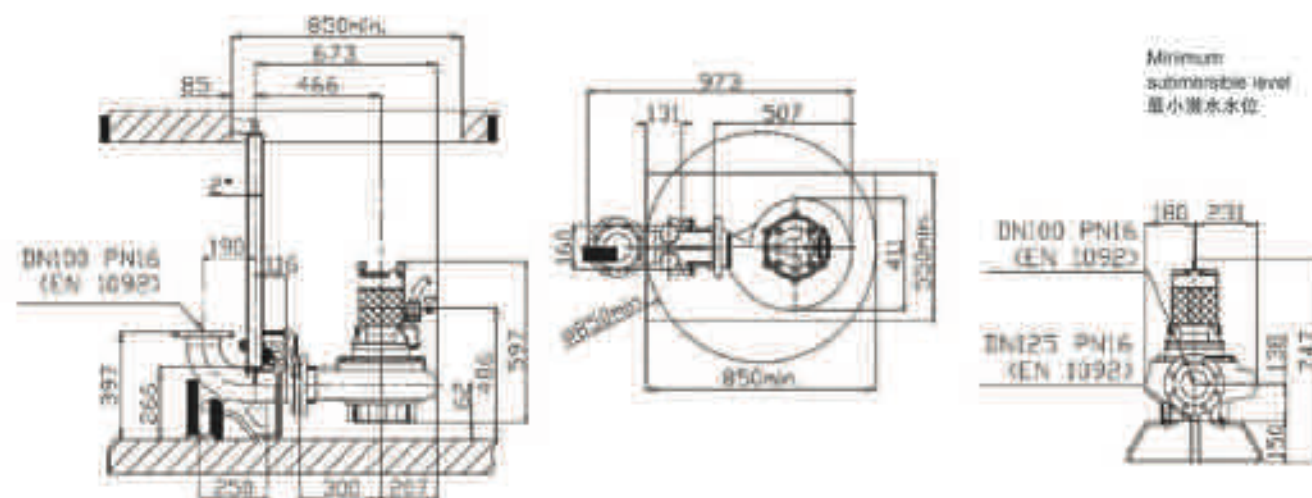
VQC / 铸铁污水泵

## VI、Performance Curve 性能曲线



电压	3ph 400/690V 50Hz	系列号	材料	型号	电机	ATEX 认证号		
每分钟转速	950				额定功率P2 (kW)	额定电流 (A)	额定转速n (r/min)	
自由通道 (mm)	80	1	7000113	G610R2C1-P80AA2	2.8	6	34.8	7000278
排量直径 (mm)	DN100							
最大重量 (Kg)	114							

## VII、Dimensions 尺寸(mm)

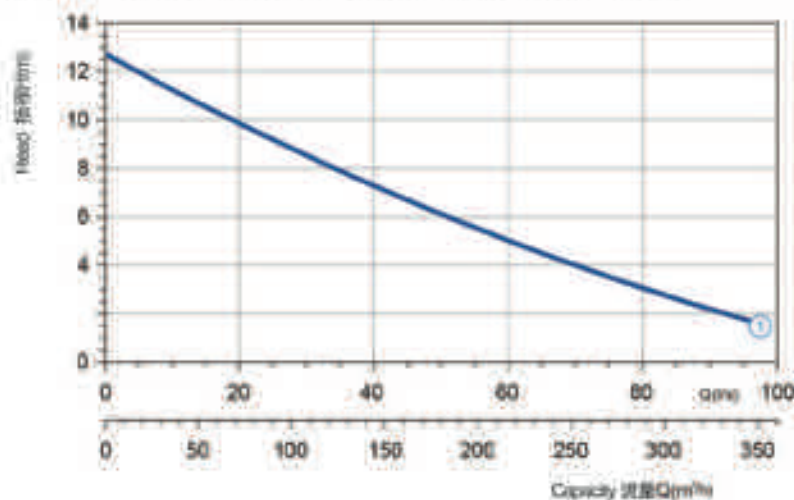


- VQ
- D
- V
- S
- M
- H
- C
- T
- P
- XD
- XV
- XC
- XT
- BQ
- BV
- BC
- Installation
- Vx
- VW
- 附录

# SUBMERGED SEWAGE PUMP

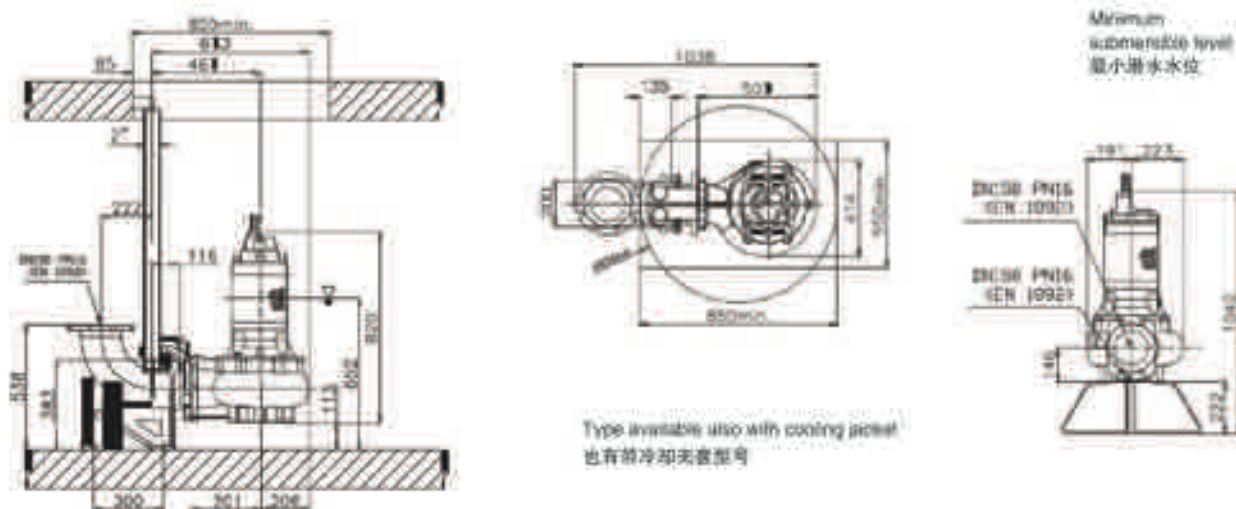
VQC / 铸铁污水泵

## VI、Performance Curve 性能曲线



电机		泵体		电机			ATEX 认证号
30h 400/690V 50Hz		材料	型号	额定电压 (V)	额定电流 (A)	额定功率 (kW)	ATEX 认证号
每分钟转速	950	1	7006882	G611R2C3-S80AA2	8	12	7007606
自由高度 (mm)	80						
接管直径 (mm)	DN 150						
最大重量 (Kg)	190						

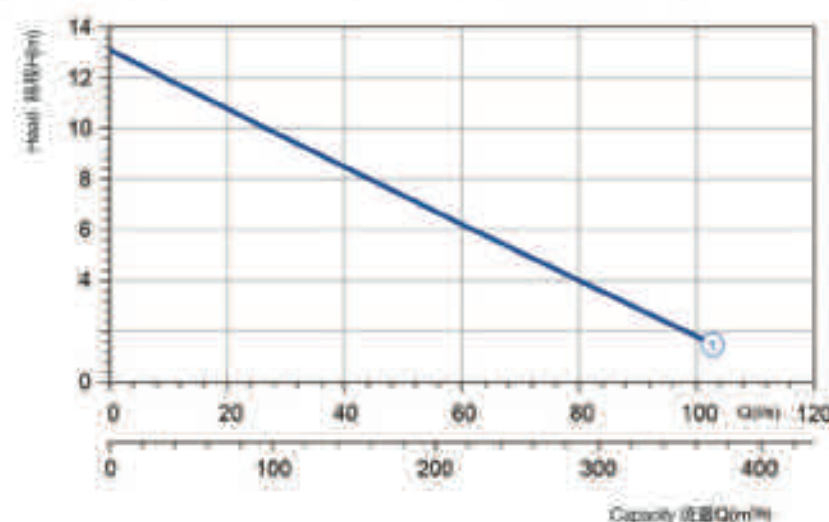
## VII、Dimensions 尺寸(mm)



# SUBMERGED SEWAGE PUMP

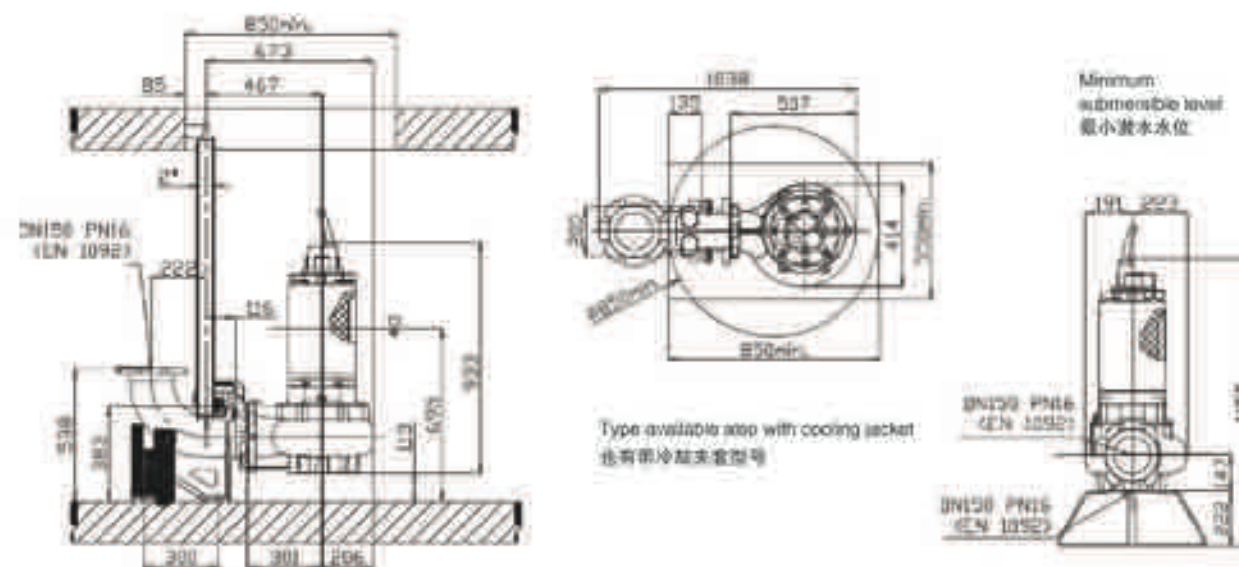
VQC / 铸铁污水泵

## VI、Performance Curve 性能曲线



电机		泵体		电机			ATEX 认证号
30h 400/690V 50Hz		材料	型号	额定电压 (V)	额定电流 (A)	额定功率 (kW)	ATEX 认证号
每分钟转速	950	1	7006383	G613R2C2-S80AA2	8	16.8	7007506
自由高度 (mm)	80						
接管直径 (mm)	DN 150						
最大重量 (Kg)	220						

## VII、Dimensions 尺寸(mm)

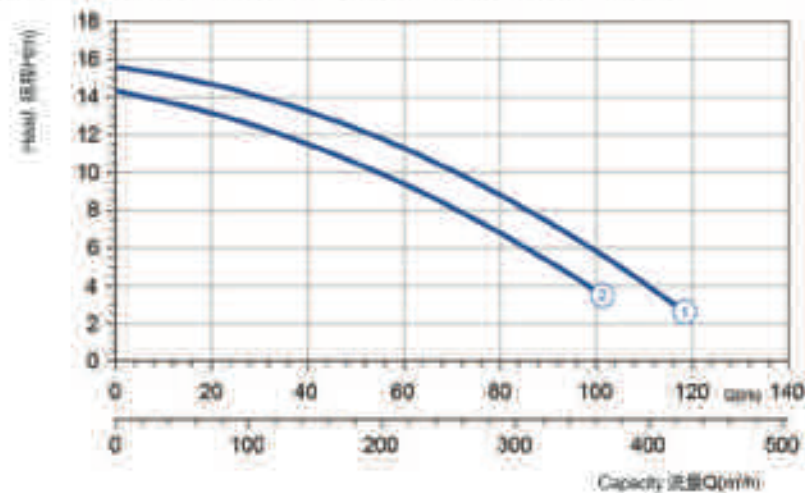


- VG
- D
- V
- S
- M
- H
- C
- T
- P
- XD
- XV
- XG
- XT
- BQ
- BV
- BC
- Installation
- Vx
- VW
- 附录

# SUBMERGED SEWAGE PUMP

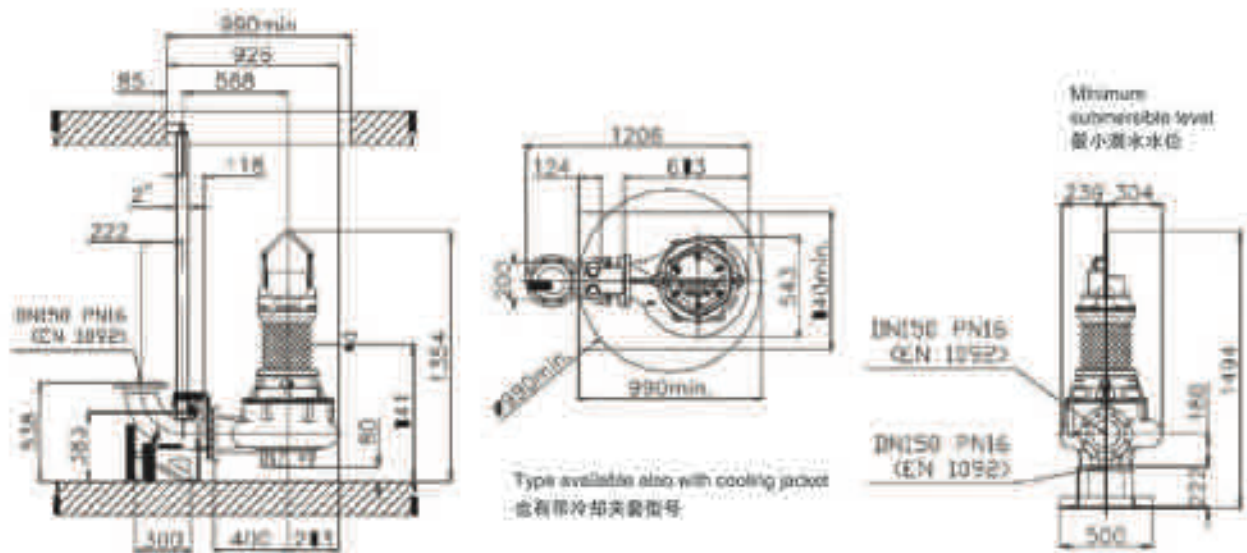
VQC / 铸铁污水泵

## VI、Performance Curve 性能曲线



电压	3ph 400/690V 50Hz	系列号	材料	型号	流量			ATEX 认证号
每分钟转速	950				额定流量 Q (m³/h)	额定电流 (A)	启动电流 (A)	
自由扬程 (m)	100	1	7009708	G616R2C1-S100AA2	12	32.9	135	7005163
接管直径 (mm)	DN 150	2	7009835	G616R2C2-S100AA2	14	26.2	155	7001280
最大重量 (Kg)	382							

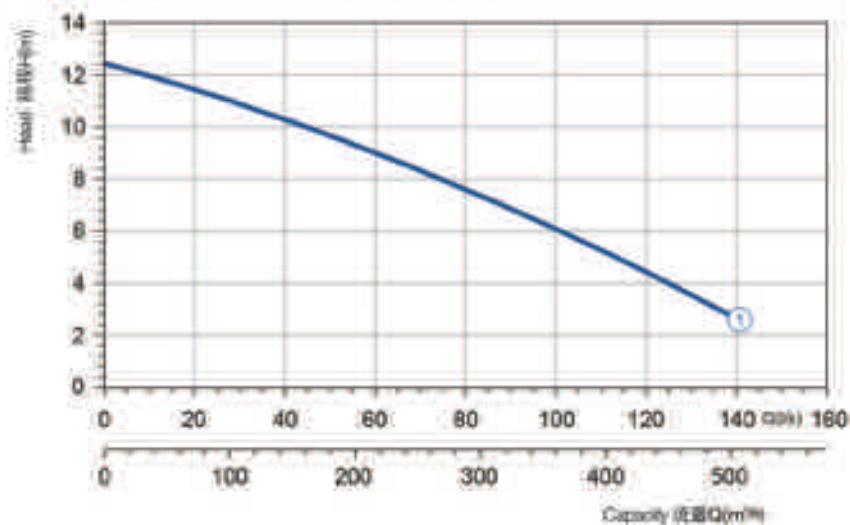
## VII、Dimensions 尺寸(mm)



# SUBMERGED SEWAGE PUMP

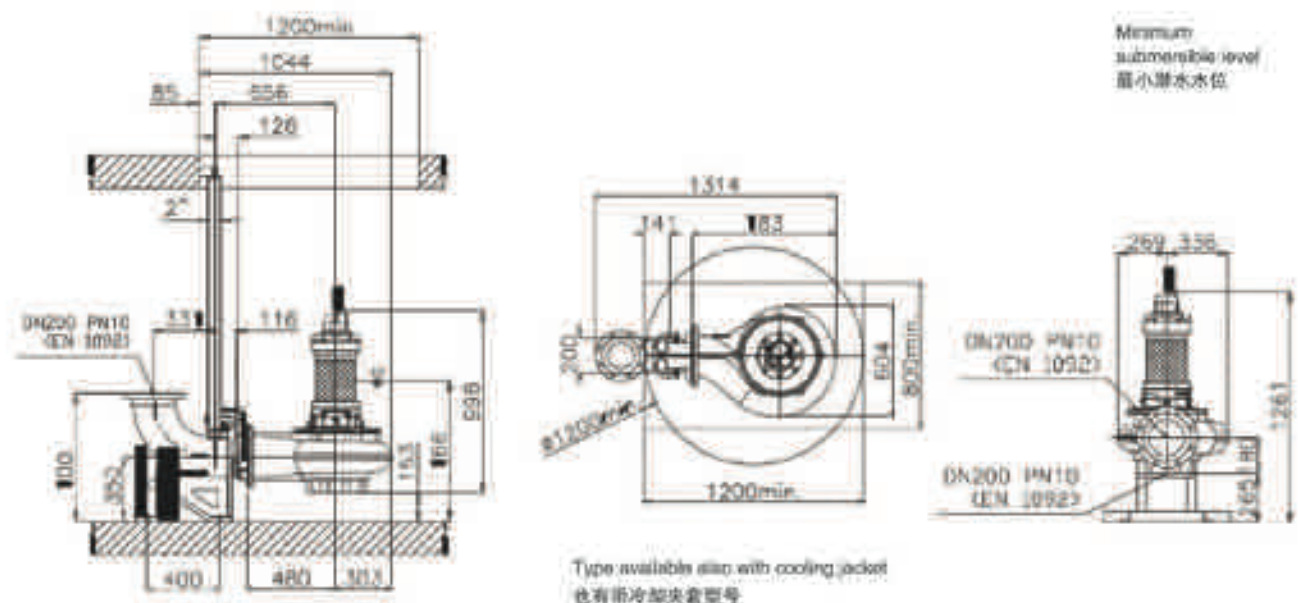
VQC / 铸铁污水泵

## VI、Performance Curve 性能曲线



电压	3ph 400/690V 50Hz	系列号	材料	型号	流量			ATEX 认证号
每分钟转速	950				额定流量 Q (m³/h)	额定电流 (A)	启动电流 (A)	
自由扬程 (m)	102	1	7001777	G616R2C3-T102AA2	9.8	19.3	114	7006126
接管直径 (mm)	DN 200							
最大重量 (Kg)	332							

## VII、Dimensions 尺寸(mm)

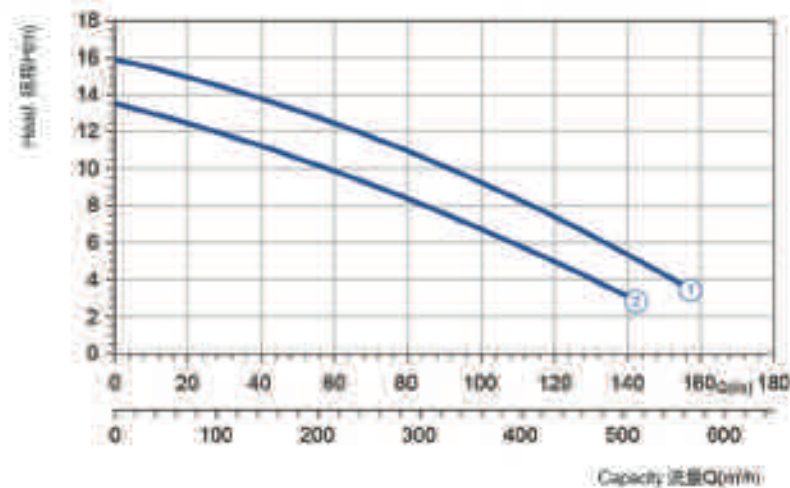


- VG
- D
- V
- S
- M
- H
- C
- T
- P
- XD
- XV
- XG
- XT
- BQ
- BV
- BC
- Installation
- Vx
- VW
- 附录

# SUBMERGED SEWAGE PUMP

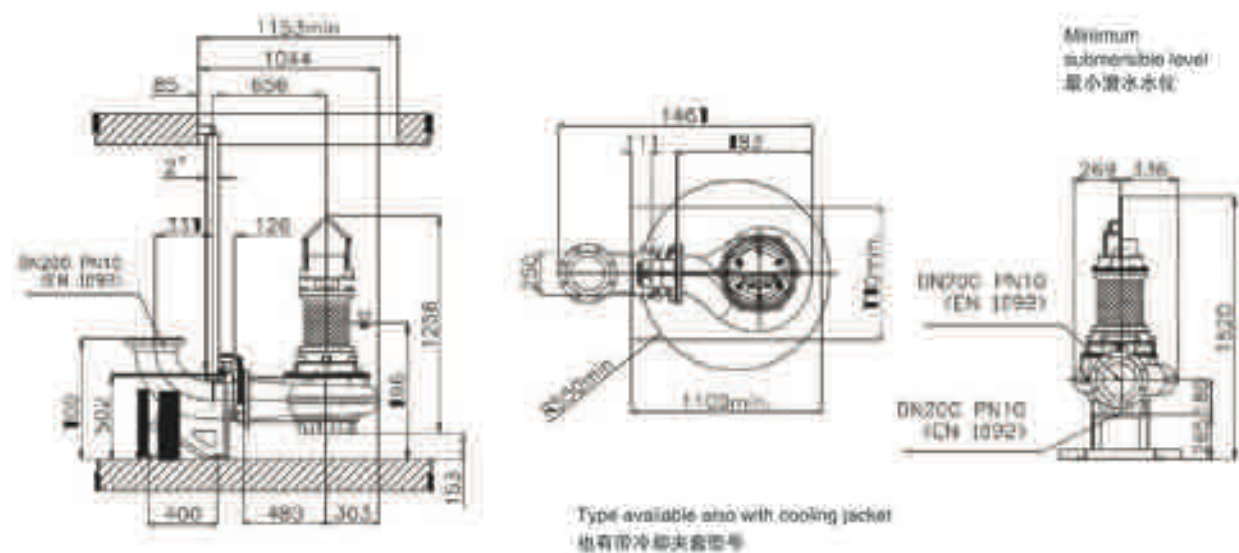
VQC / 铸铁污水泵

## VI、Performance Curve 性能曲线



电源	30h 400/690V 50Hz	材料	型号	电压			ATEX 认证号	
每分钟转速	950	额定功率 (kW)	额定电压 (V)	额定电流 (A)	额定流量 (m³/h)			
自由扬程 (mm)	102	1	7009950	G616R3C1-T102AA2	14	26.2	155	7007979
接管直径 (mm)	DN 200	2	7009945	G616R3C2-T102AA2	14	26.2	155	7006584
最大重量 (Kg)	385							

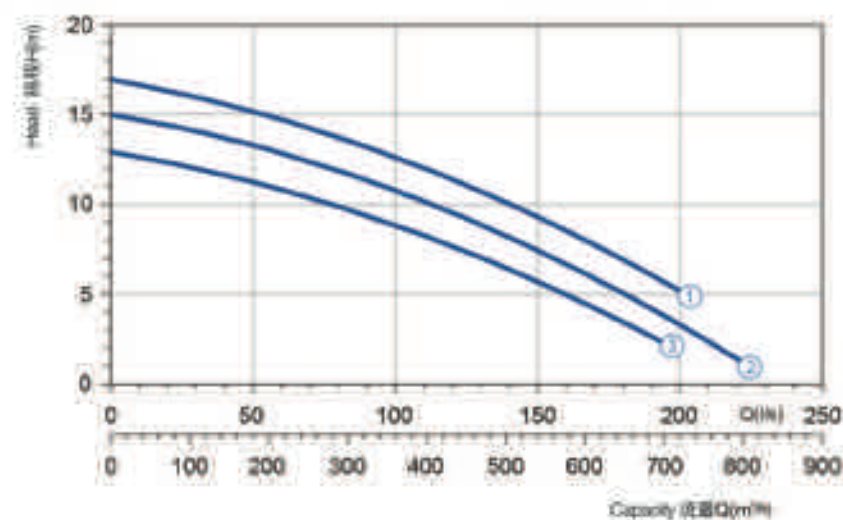
## VII、Dimensions 尺寸(mm)



# SUBMERGED SEWAGE PUMP

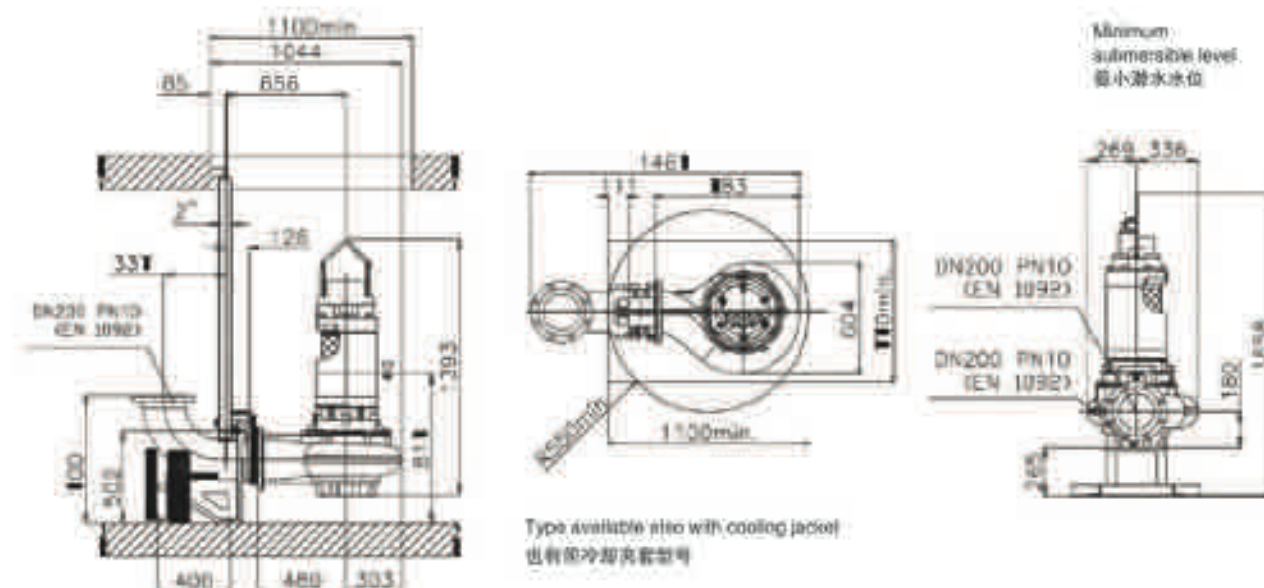
VQC / 铸铁污水泵

## VI、Performance Curve 性能曲线



电源	30h 400/690V 50Hz	材料	型号	电压			ATEX 认证号	
每分钟转速	950	额定功率 (kW)	额定电压 (V)	额定电流 (A)	额定流量 (m³/h)			
自由扬程 (mm)	102	1	7009950	G616R3C1-T102AA2	29	40.6	240	7007671
接管直径 (mm)	DN 200	1	7009951	G616R3C2-T102AA2	18.9	34.8	205	7007670
最大重量 (Kg)	460	1	7009952	G616R3C3-T102AA2	15.8	29.6	175	7007426

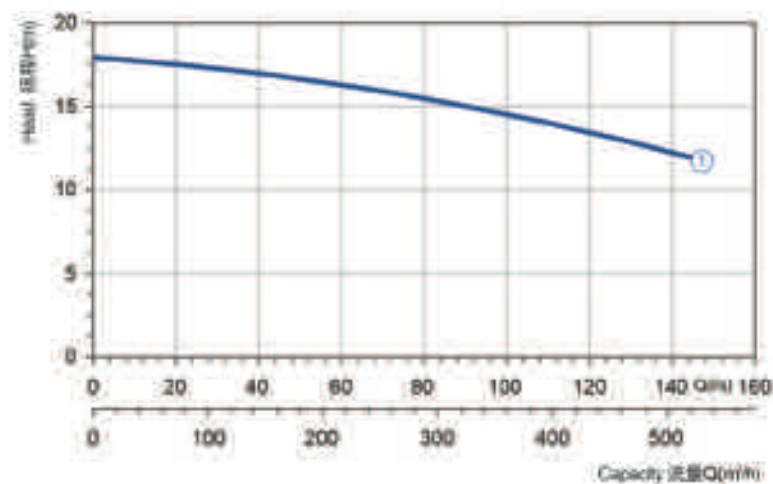
## VII、Dimensions 尺寸(mm)



# SUBMERGED SEWAGE PUMP

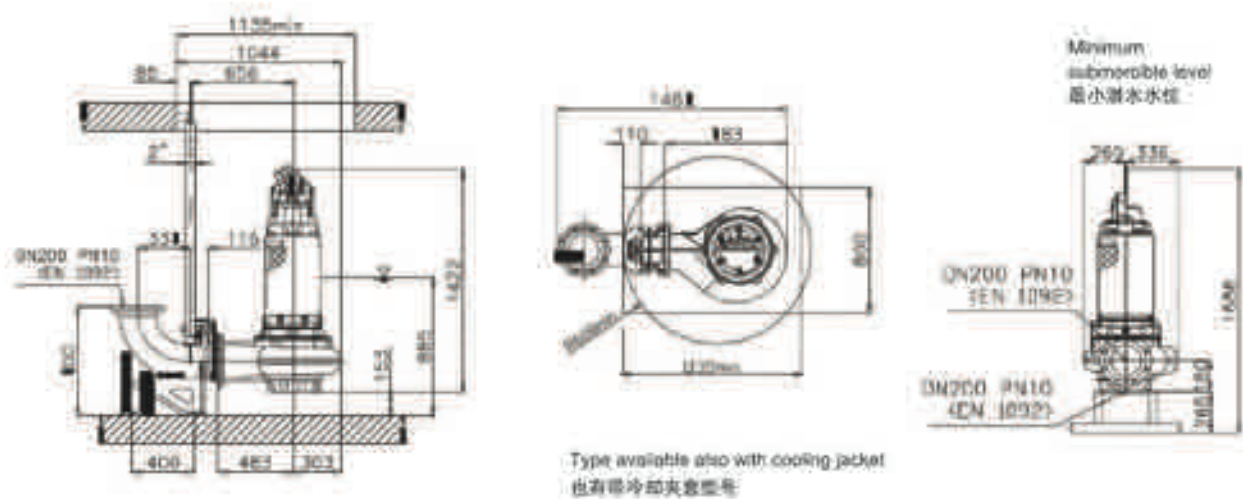
VQC / 铸铁污水泵

## VI、Performance Curve 性能曲线



电机	30h 400/690V 50Hz	电机	材料	型号	额定功率 (kW)	额定电压 (V)	额定电流 (A)	ATEX 认证号
每分钟转速	950	1	7008582	G618R3C5-T105XA2	29	52.8	311	7002741
自由高度 (mm)	105							
接管直径 (mm)	DN 200							
最大重量 (Kg)	530							

## VII、Dimensions 尺寸(mm)

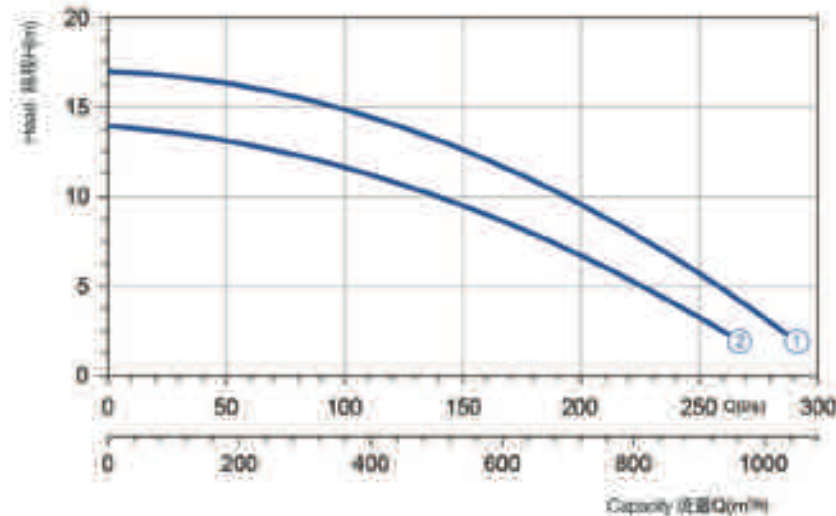


Type available also with cooling jacket  
也有带冷却夹套型号

# SUBMERGED SEWAGE PUMP

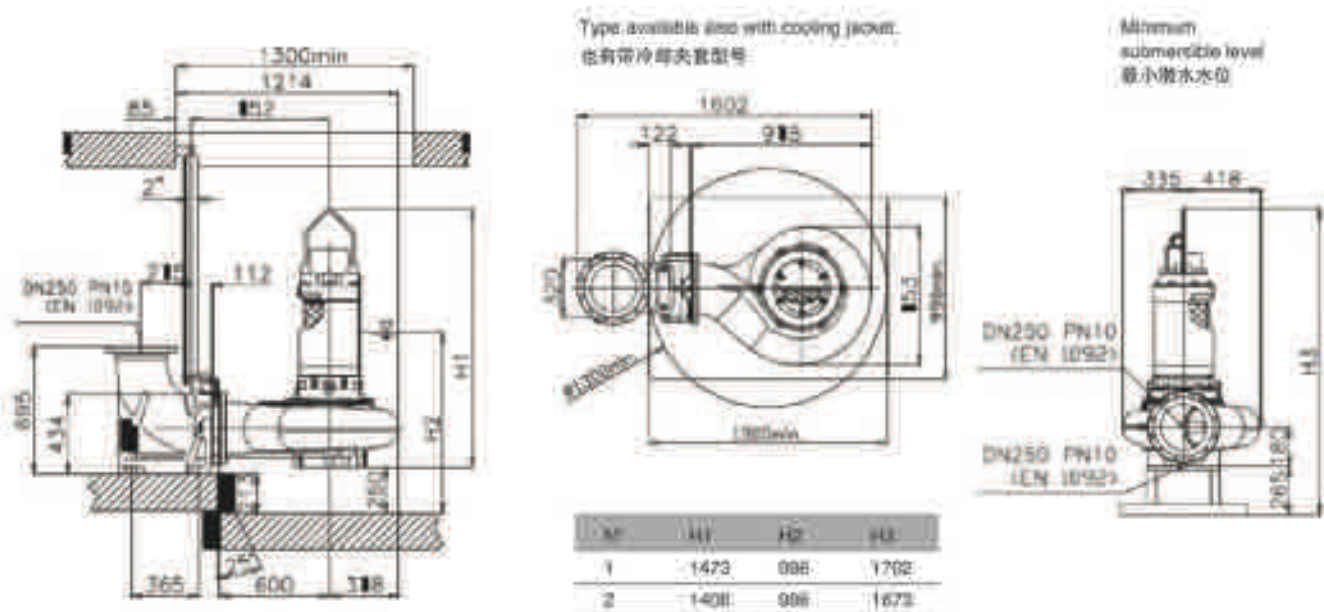
VQC / 铸铁污水泵

## VI、Performance Curve 性能曲线



电机	30h 400/690V 50Hz	电机	材料	型号	额定功率 (kW)	额定电压 (V)	额定电流 (A)	ATEX 认证号
每分钟转速	950	1	7008584	G618R3C3-V105AA2	29	52.8	312	7008025
自由高度 (mm)	105	1	7008584	G618R3C4-V105AA2	23	40.8	240	7006294
接管直径 (mm)	DN 250							
最大重量 (Kg)	390							

## VII、Dimensions 尺寸(mm)



Type available also with cooling jacket  
也有带冷却夹套型号

Minimum submersible level  
最小潜水水位

型号	H1	H2	H3
1	1473	996	1702
2	1408	996	1672

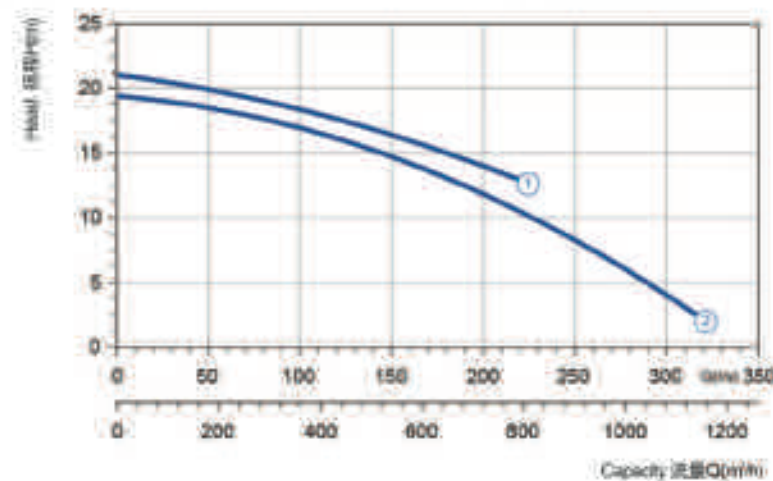
- VG
- D
- V
- S
- M
- H
- C
- T
- P
- XD
- XV
- XG
- XT
- BQ
- BV
- BC
- Installation
- Vx
- VW
- 附录



# SUBMERGED SEWAGE PUMP

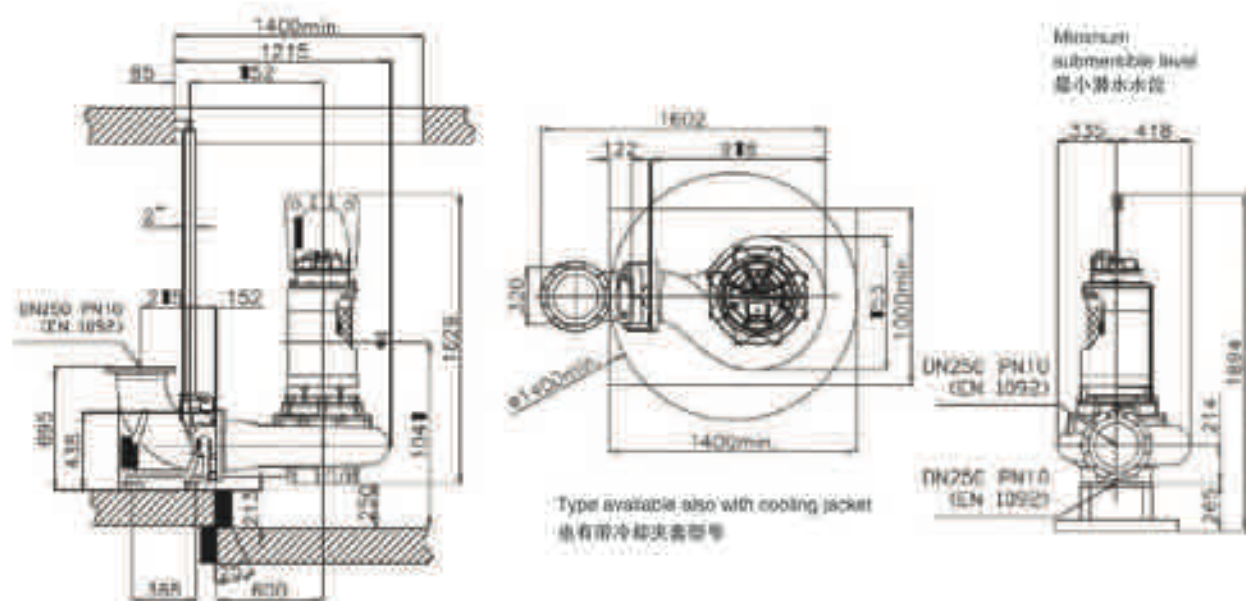
VQC / 铸铁污水泵

## VI、Performance Curve 性能曲线



电机 30h 400/690V 50Hz		电机	电机			ATEX 认证
每分种转速	材料		型号	额定功率 (kW)	额定电流 (A)	
1	7000480	G620R3C1-V105AA2	39.2	71	419	-
2	7000482	G620R3C2-V105AA2	39.2	71	419	-

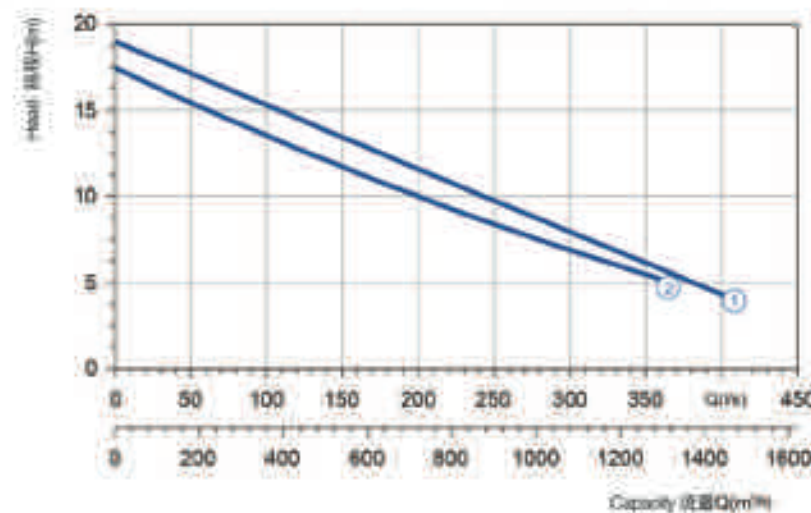
## VII、Dimensions 尺寸(mm)



# SUBMERGED SEWAGE PUMP

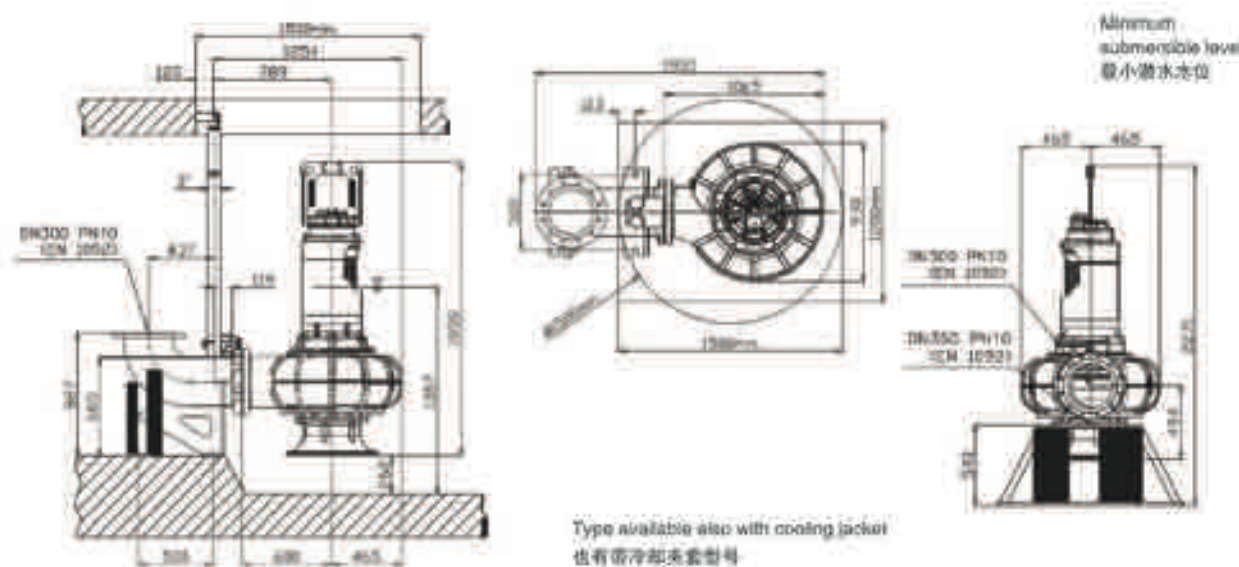
VQC / 铸铁污水泵

## VI、Performance Curve 性能曲线



电机 30h 400/690V 50Hz		电机	电机			ATEX 认证
每分种转速	材料		型号	额定功率 (kW)	额定电流 (A)	
1	7006392	G620R4C3-W140AA2	39.2	71	419	-
1	7006393	G620R4C4-W140AA2	33.4	60.8	369	-

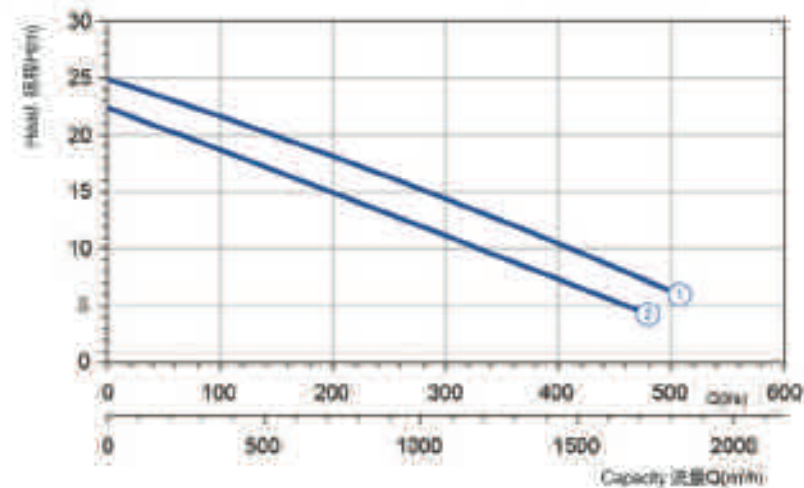
## VII、Dimensions 尺寸(mm)



# SUBMERGED SEWAGE PUMP

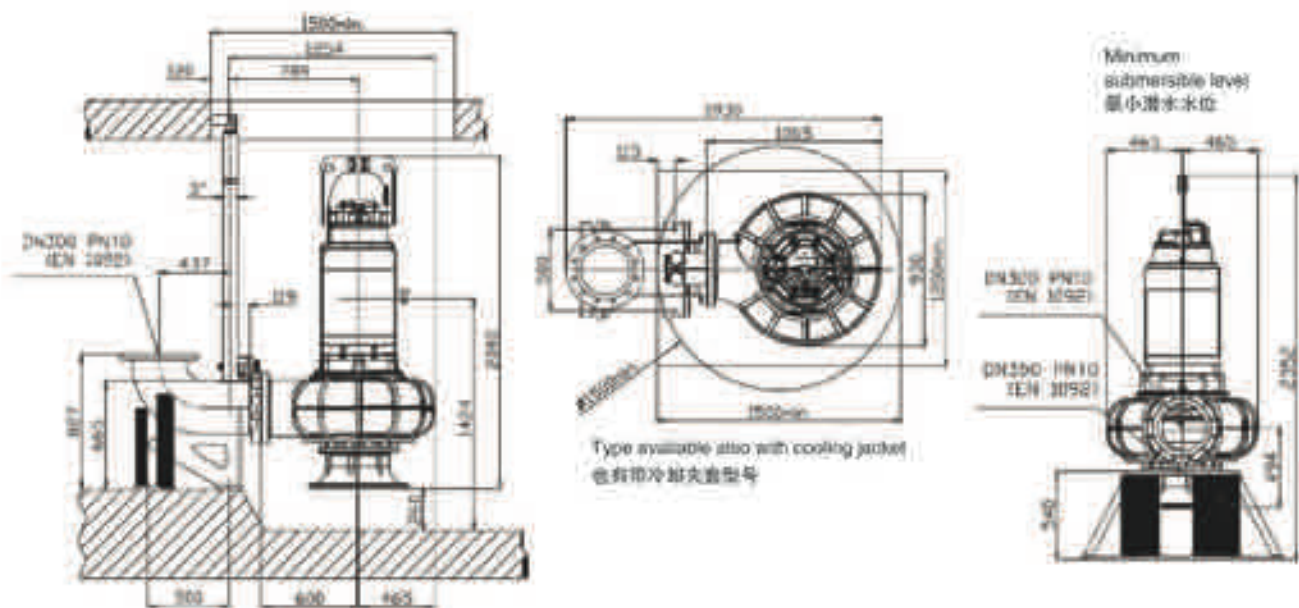
VQC / 铸铁污水泵

## VI、Performance Curve 性能曲线



电压	30h 400/690V 50Hz	系列号	材料	型号	尺寸			ATEX 认证号
					额定流量 Q (m³/h)	额定电压 (V)	额定功率 (kW)	
每分钟转速	950	1	7000629	G62SR4C1-W140AA2	85	115	690	-
自由扬程 (m)	50x140	2	7000630	G62SR4C2-W140AA2	85.8	99	584	-
接管直径 (mm)	DN 300							
最大重量 (Kg)	1190							

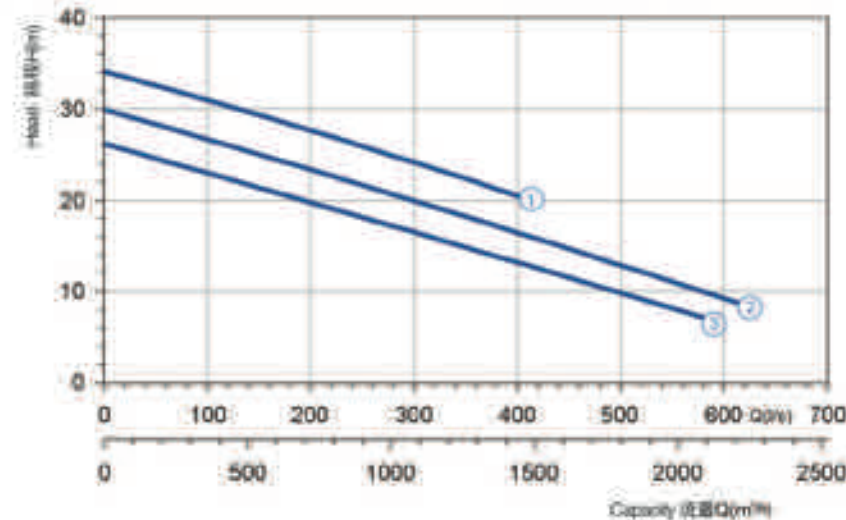
## VII、Dimensions 尺寸(mm)



# SUBMERGED SEWAGE PUMP

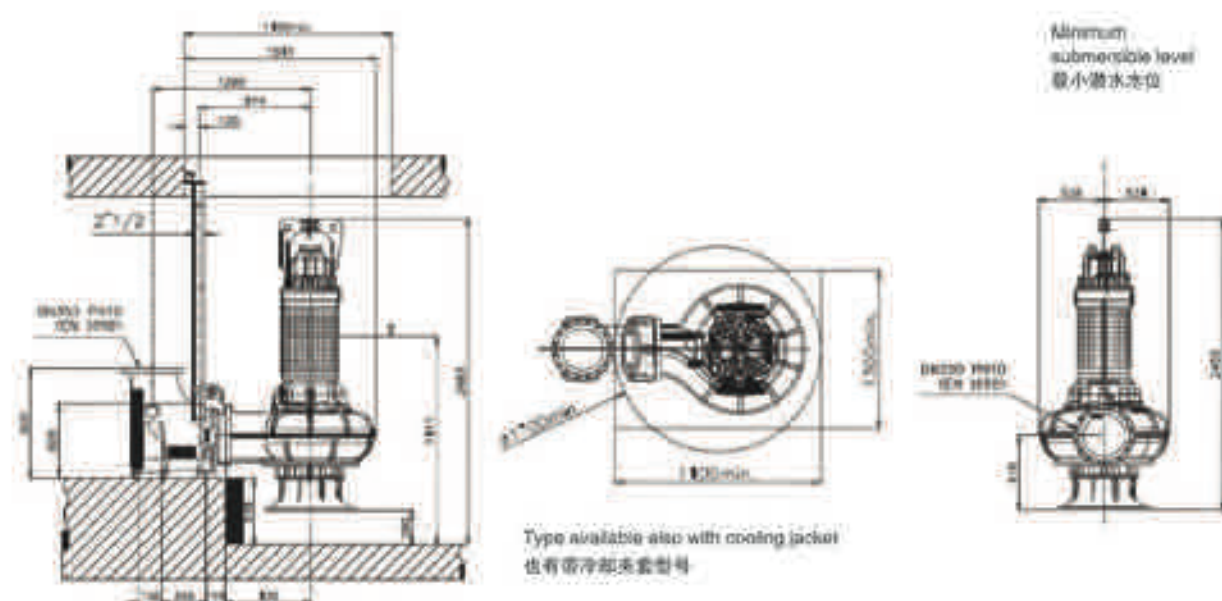
VQC / 铸铁污水泵

## VI、Performance Curve 性能曲线



电压	30h 400/690V 50Hz	系列号	材料	型号	尺寸			ATEX 认证号
					额定流量 Q (m³/h)	额定电压 (V)	额定功率 (kW)	
每分钟转速	950	1	7000637	G62SR4C1-X112AA2	112	198	1188	-
自由扬程 (m)	112	1	7003272	G62SR4C4-X112AA2	95	170	1173	-
接管直径 (mm)	DN 350	1	7007982	G62SR4C5-X112AA2	82.5	153	1163	-
最大重量 (Kg)	1845							

## VII、Dimensions 尺寸(mm)



## SUBMERGED SEWAGE PUMP VQ SERIES

SUBMERGED  
PUMPS SEWAGE  
VQ

铸铁C型叶轮



## I、Application 应用

Submersible electric pumps with channels are used prevalently for the lifting of non corrosive dirty waters also with solid bodies in suspension. In particular for screened waste water and drainage of places subject to flooding, crude and activated sludge.

多道渣电潜泵普遍用于提升非腐蚀性脏水以及含有悬浮固体的脏水。特别适用于过筛废水以及洪涝、原油和活性污泥等地方的排水。

## II、Construction Data 结构数据

Submersible electric pumps, robust in construction, watertight electric motor accommodated in compartment, connected, by shafts of reduced lengths, to the impellers situated at the pump outlet by the interposition of oil chamber between the hydraulic side and the electric motor.

潜水电泵构造结实，电动机室防水密封，由短轴连接到泵壳内的泵轮上，润滑油室位于泵壳的液室侧与电机之间。

## III、Materials 材料

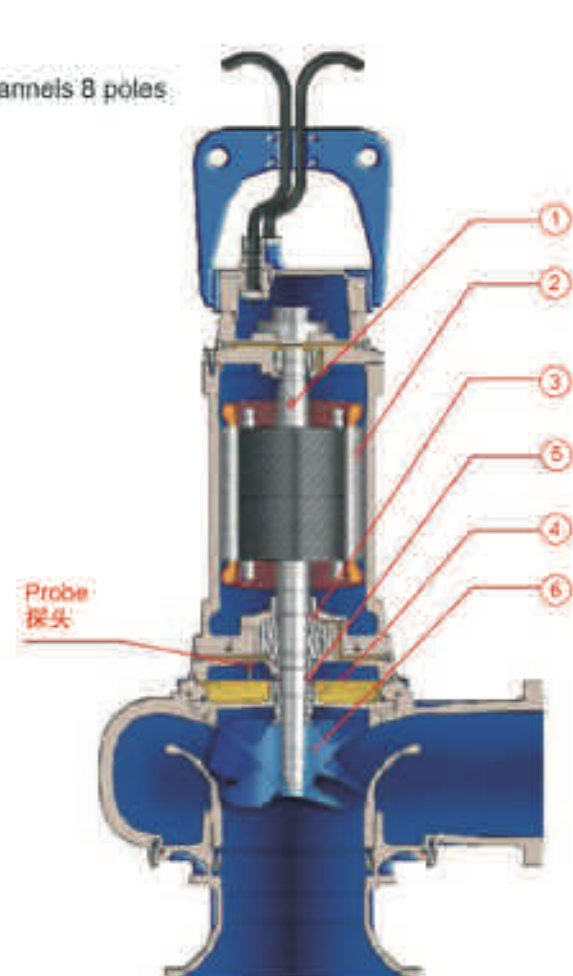
Motor Housing	电机外壳	Cast iron EN-GJL-250	铸铁 EN-GJL-250
Impeller	叶轮球墨铸铁	Cast-iron EN-GJL-250	铸铁 EN-GJL-250+ 球
Electric Cable	电缆	Neoprene H07RNLF	氯丁橡胶 H07RNLF
Shaft	轴	Stainless Steel AISI 420B/431	不锈钢 AISI 420B/431
O-Rings And Lip Seal	O 形环和唇形密封	Nitrile	丁腈橡胶
Bolt	螺栓	A2 class - AISI 304	A2 类 - AISI 304
Mechanical Seal	机械密封	Silicon Carbide / Silicon Carbide	碳化硅/碳化硅

## SUBMERGED SEWAGE PUMP

VQC / 铸铁污水泵

## IV、Features 特点

Submersible electric pumps with channels 8 poles  
潜水多道渣电泵 8极 (750rpm)



- 1 **Shafts** grinded down in ball bearings and mechanical seals seats, over-dimensioned respect to standard parameters of use.
  - 2 **Motor** asynchronous three-phase squirrel cage type, insulation class H(180 ° C). Dry motor, cooled by surrounding liquid. Protection degree IP 68. The motor is projected for continuous or intermittent operation, with a maximum of 15 starts per hour at regular intervals. The motor is projected for working with 5% maximum voltage unbalance between phases.
  - 3 **Ball bearings** overdimensioned, double ball bearing with grease.
  - 4 **Oil chamber** oil lubricates and cools the seals and emulsifies eventual water infiltrations. This electric pump has two types of seals for a perfect insulation between the electric motor and the pumped liquid. Upper seal: mechanical, ceramic / graphite.
  - 5 **Lower seal**: mechanical, silicon carbide.
  - 6 **Impellers** are projected in order to guarantee and assure an high hydraulic efficiency and low power consumption, they have big inter-blades and diffuser free passages, minimum blades number, special blades design, especially diffusers' water-cutter blades designed to avoid filamentous materials catching.
- 1 轴经球轴承压入，机械密封座，尺寸大于标准使用参数。
- 2 异步电机三相鼠笼型，绝缘等级 H(180 ° C)，干电机，由周围液体冷却，防护等级 IP 68，电机用于连续或间歇运行，按固定时间间隔每小时最多启动 15 次，电机用于相间电压不平衡最大为 5% 的工作环境。
- 3 大尺寸球轴承，双排球轴承，带润滑器具。
- 4 润滑油室润滑和冷却密封件并防止乳化水渗透，该电泵有两种类型密封件，可在电动机和泵送的液体之间完美绝缘。上部密封：陶瓷 / 石墨。
- 5 底部密封：机械密封，碳化硅密封。
- 6 泵轮用于保证和确保高液力效率，低功耗，泵轮有大内叶片和扩压器自由通道，最小叶片数，特殊的叶片设计，特别是扩压器的水刀刀片设计，可避免纤维材料缠绕。

VQ

D

V

S

M

H

C

T

P

XD

XV

XC

XT

BD

BV

BC

Installation

Vx

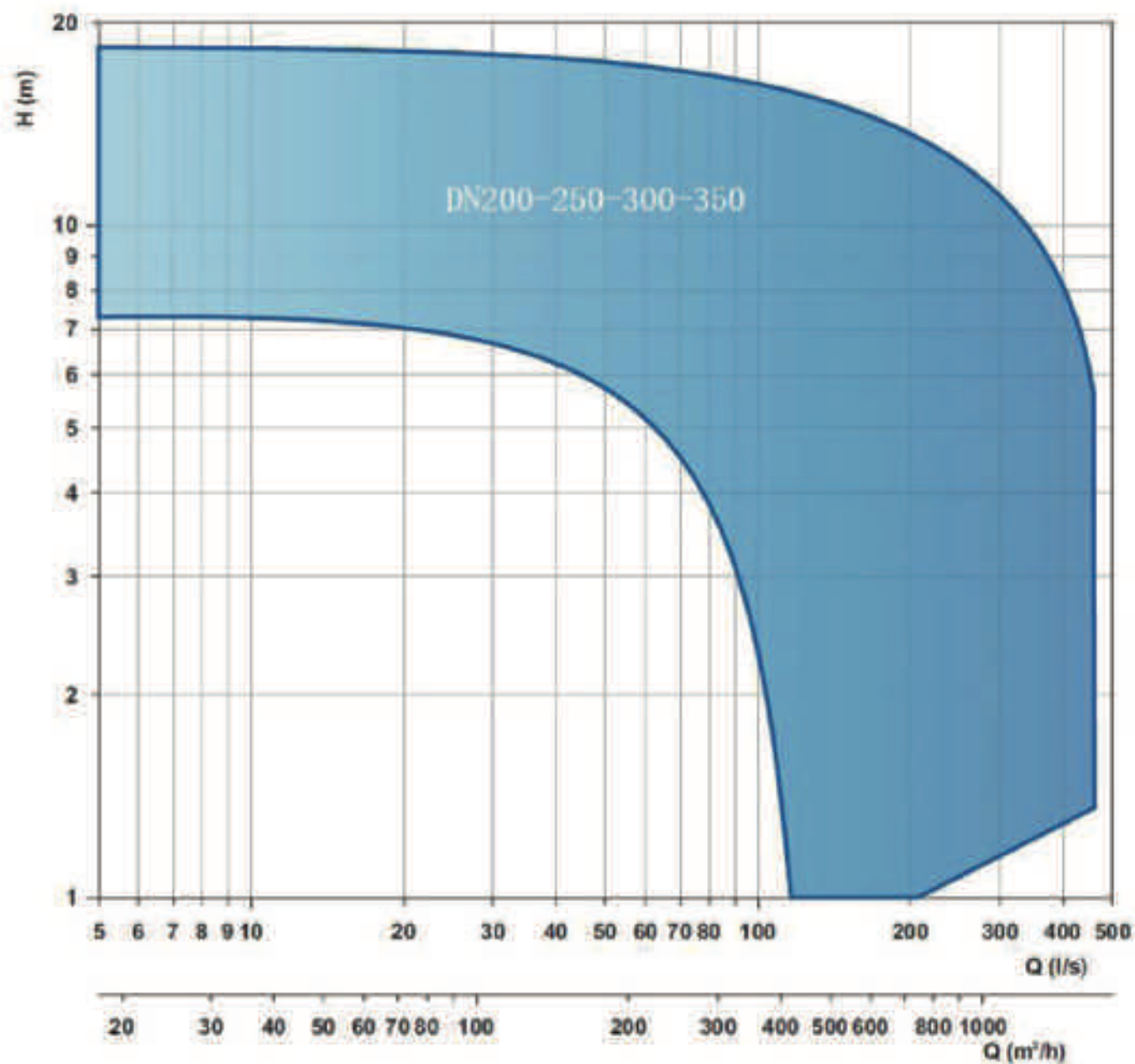
VW

附录

# SUBMERGED SEWAGE PUMP

VQC / 铸铁污水泵

## V、Submersible electric pumps with channels 8 poles 潜水多流道电泵/8极 (750rpm)

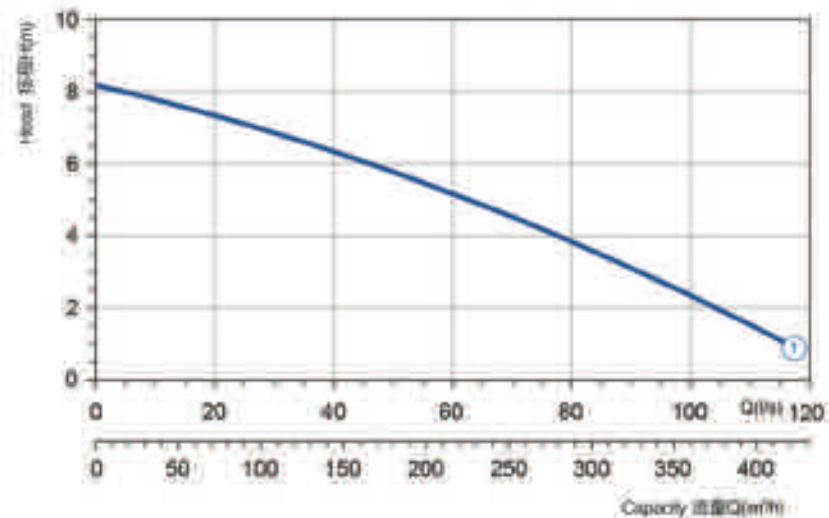


Technical data sheets are available on our web site [www.u-flo.com](http://www.u-flo.com)  
 技术数据表可访问我们的网站获取: [www.u-flo.com](http://www.u-flo.com)

# SUBMERGED SEWAGE PUMP

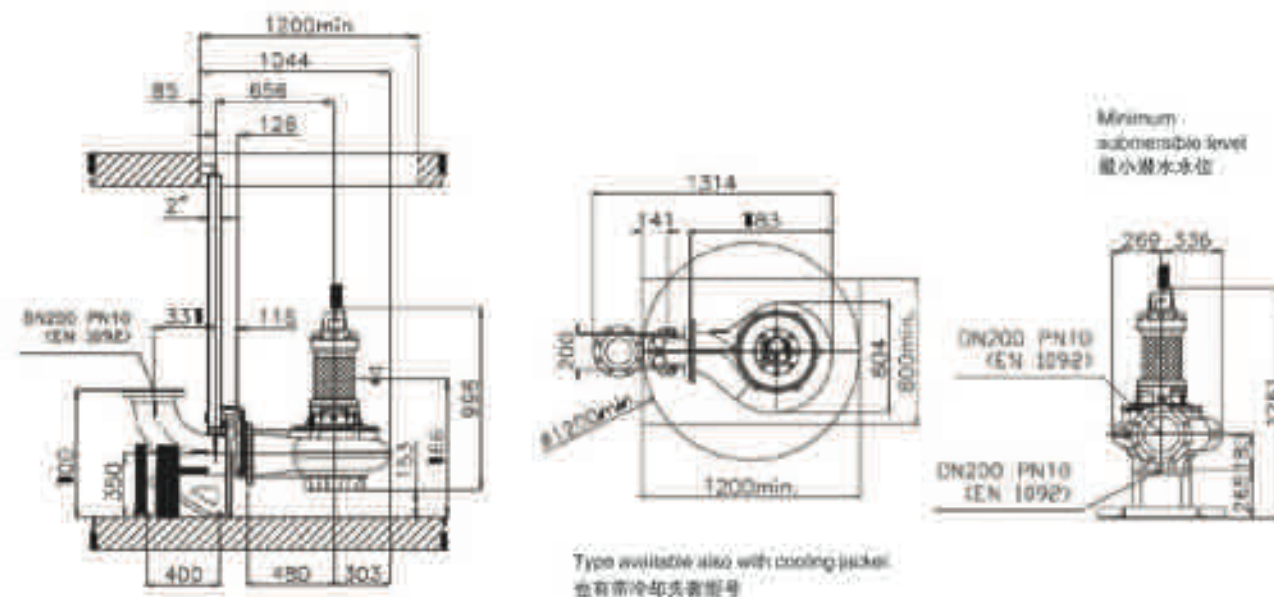
VQC / 铸铁污水泵

## VI、Performance Curve 性能曲线



电机	1ph 400V/50Hz	泵壳材料	材料	型号	电机			ATEX 认证
每分钟转速	750	额定功率P <sub>N</sub> (kW)	额定电流I <sub>N</sub> (A)	启动电流I <sub>s</sub> (A)				7008516
自由流量 (mm)	102	I	7007424	G813R2C3-T102AA2	8.2	14.4	77.8	
流量直径 (mm)	DN 200							
最大重量 (Kg)	930							

## VII、Dimensions 尺寸(mm)



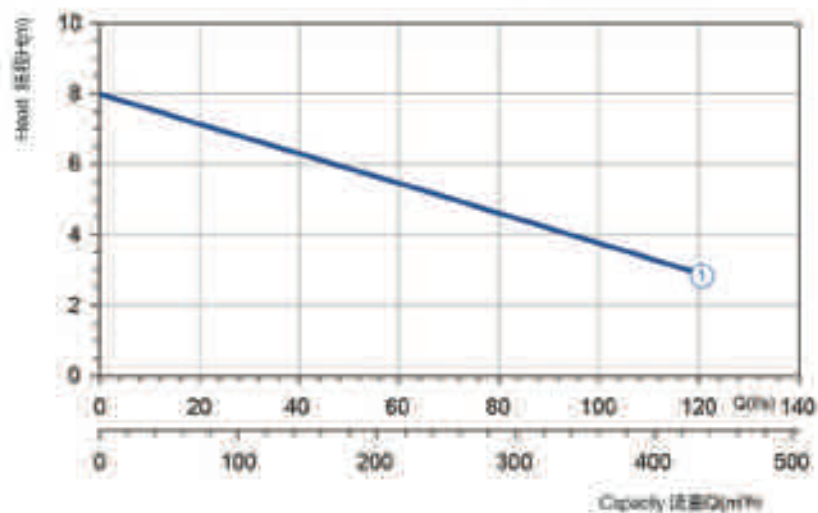
Type available also with cooling jacket  
 也有带冷却夹套型号

- VG
- D
- V
- S
- M
- H
- C
- T
- P
- XD
- XV
- XG
- XT
- BQ
- BV
- BC
- Installation
- Vx
- VW
- 附录

# SUBMERGED SEWAGE PUMP

VQC / 铸铁污水泵

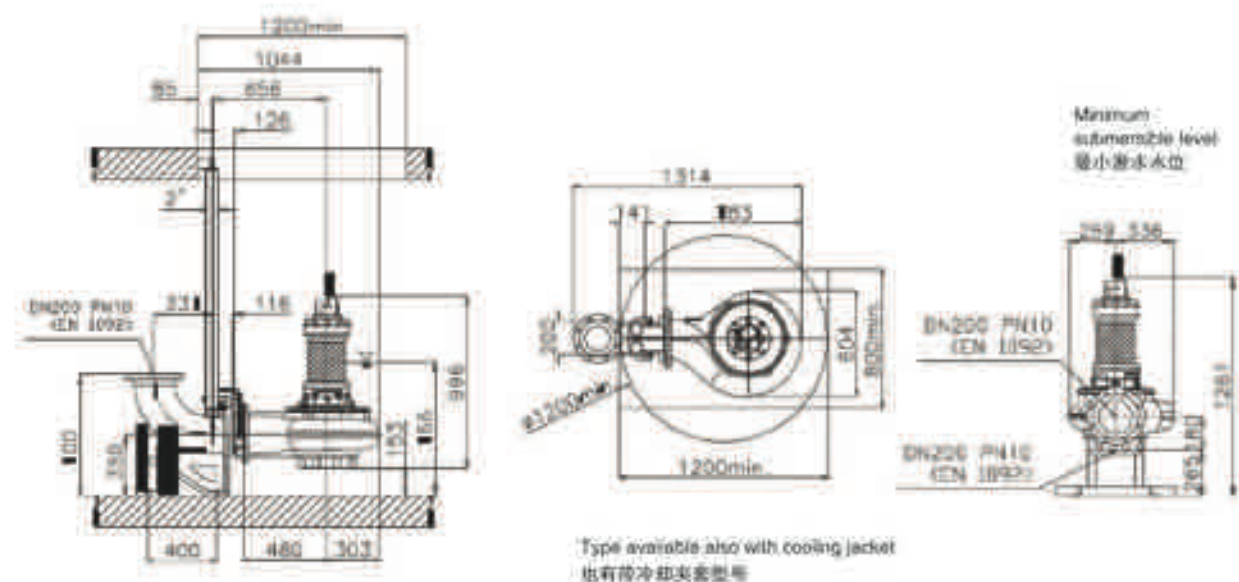
## VI、Performance Curve 性能曲线



电压	3ph 400/690V 50Hz
每分钟转速	750
自由通道 (mm)	102
接管直径 (mm)	DN 200
最大重量 (Kg)	330

电压	代码	型号	额定功率P2 (kW)	额定电流I (A)	启动电流I (A)	ATEX 认证号
3	7001316	GB13R3C1-T102AA2	8	17.1	87.2	700129

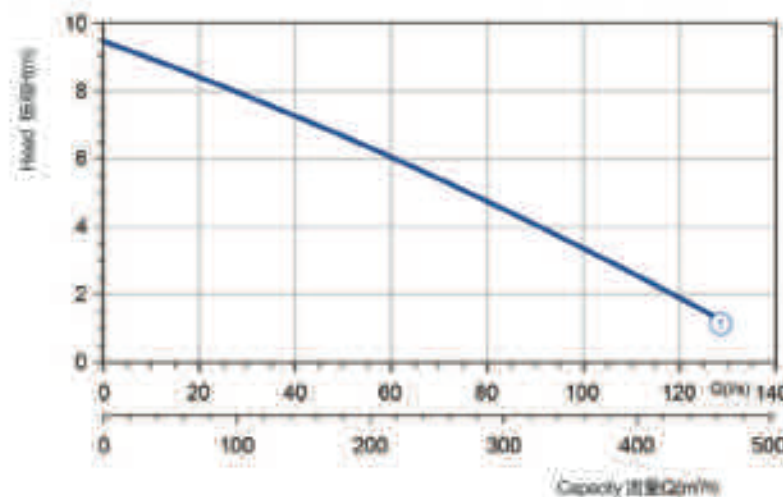
## VII、Dimensions 尺寸(mm)



# SUBMERGED SEWAGE PUMP

VQC / 铸铁污水泵

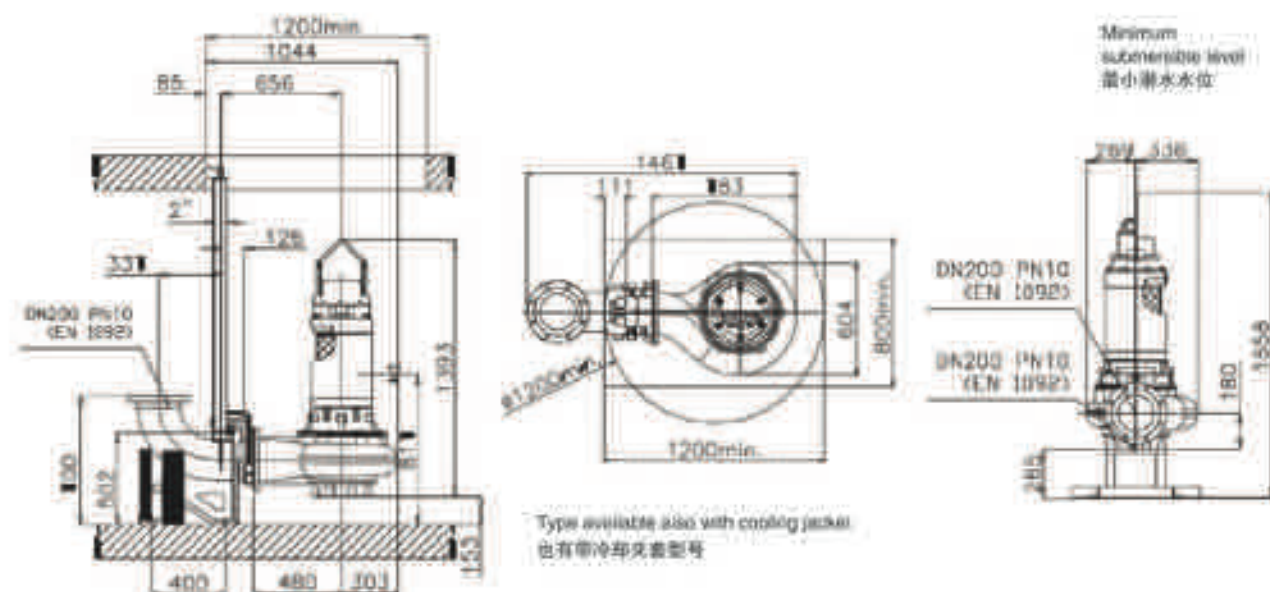
## VI、Performance Curve 性能曲线



电压	3ph 400/690V 50Hz
每分钟转速	750
自由通道 (mm)	102
接管直径 (mm)	DN 200
最大重量 (Kg)	430

电压	代码	型号	额定功率P2 (kW)	额定电流I (A)	启动电流I (A)	ATEX 认证号
3	7000831	GB13R2C1-T102AA2	8	13.9	75.1	7004927

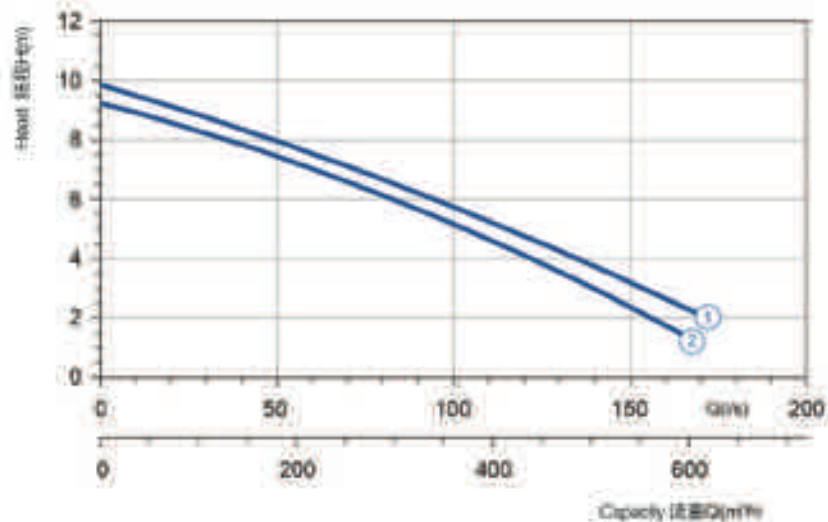
## VII、Dimensions 尺寸(mm)



# SUBMERGED SEWAGE PUMP

VQC / 铸铁污水泵

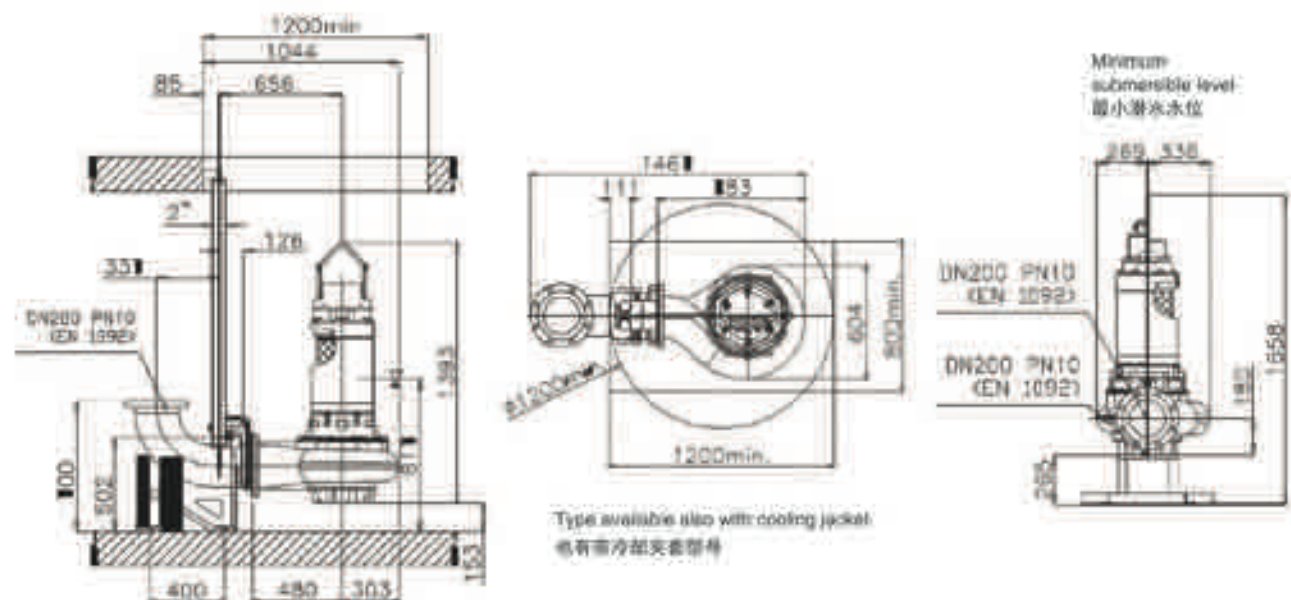
## VI、Performance Curve 性能曲线



电压	3ph 400/690V 50Hz
每分钟转速	750
自由通道 (mm)	102
接管直径 (mm)	DN 200
最大重量 (Kg)	425

电压	代码	型号	额定功率P2 (kW)	额定流量Q (m³/h)	启动电流Ia (A)	ATEX 认证号
1	7000821	GB18R3C2-T102AA2	9.3	19.8	101	7005552
2	7000823	GB18R3C3-T102AA2	9.3	19.8	101	7005754

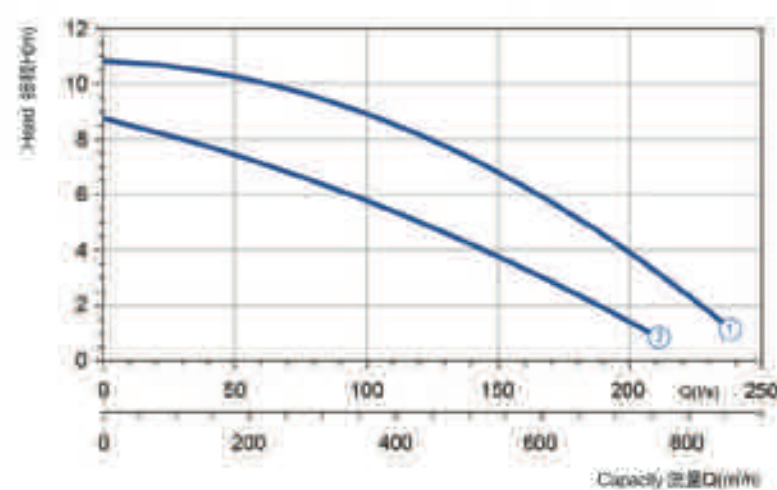
## VII、Dimensions 尺寸(mm)



# SUBMERGED SEWAGE PUMP

VQC / 铸铁污水泵

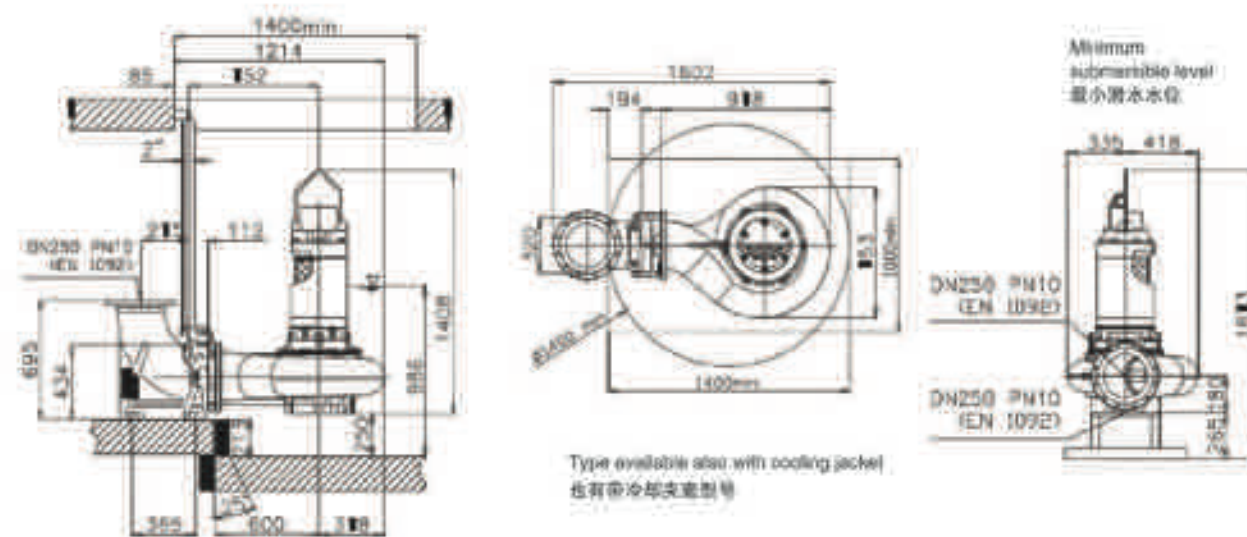
## VI、Performance Curve 性能曲线



电压	3ph 400/690V 50Hz
每分钟转速	750
自由通道 (mm)	105
接管直径 (mm)	DN 250
最大重量 (Kg)	520

电压	代码	型号	额定功率P2 (kW)	额定流量Q (m³/h)	启动电流Ia (A)	ATEX 认证号
1	7000730	GB18R3C3-V105AA2	17.1	35.1	188	7006104
2	7007179	GB18R3C4-V1052A2	12.4	26.5	149	7006942

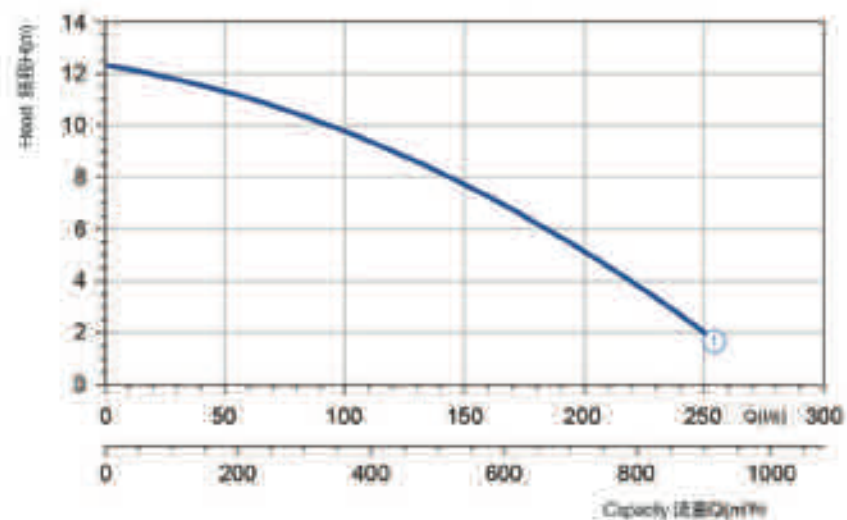
## VII、Dimensions 尺寸(mm)



# SUBMERGED SEWAGE PUMP

VQC / 铸铁污水泵

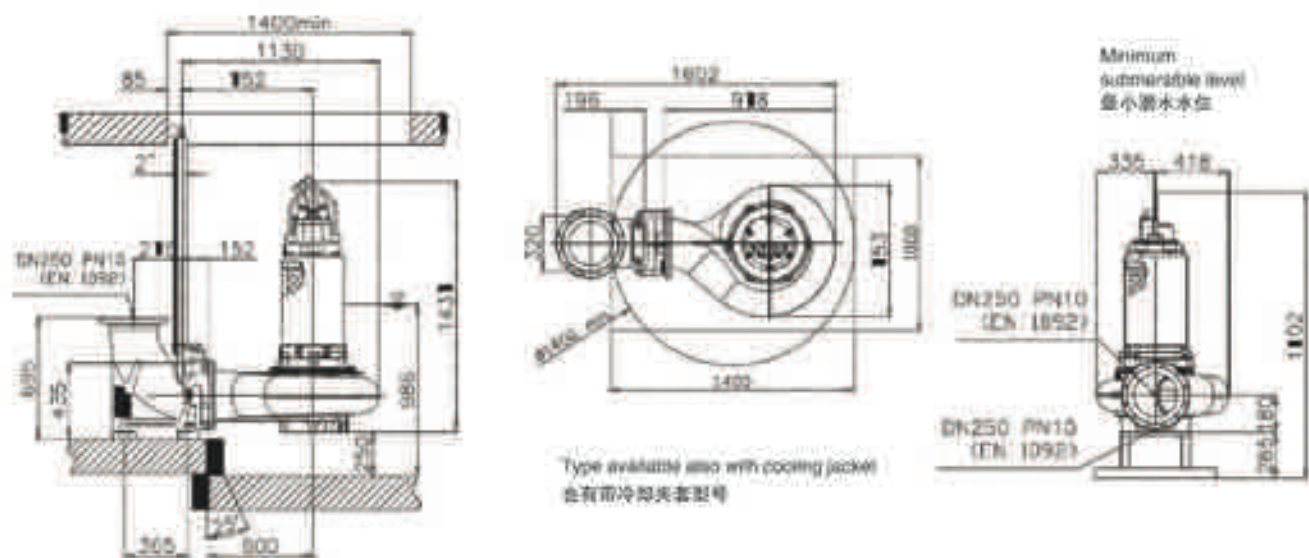
## VI、Performance Curve 性能曲线



电压	3ph 400/690V 50Hz
每分钟转速	750
自由通道 (mm)	105
接管直径 (mm)	DN 250
最大重量 (Kg)	600

电压	代码	型号	额定功率P2 (kW)	额定流量Q (m³/h)	启动电流Ia (A)	ATEX 认证号
1	7000838	GB18R3C1-V105AA2	1.9	33	207	7000133

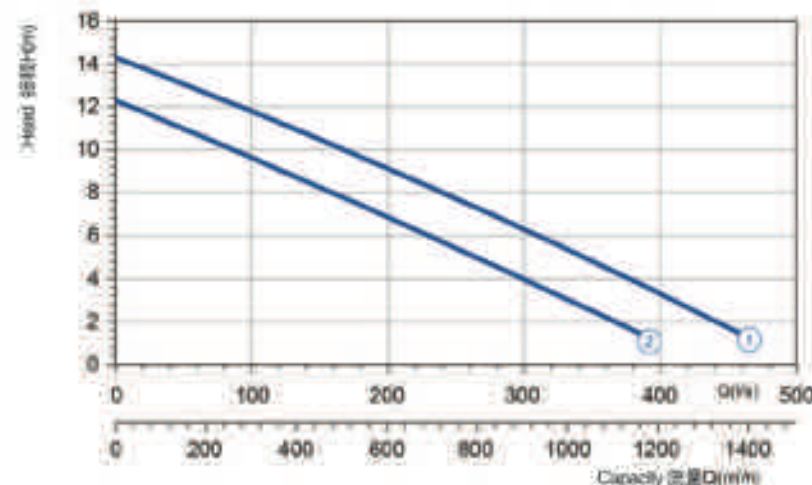
## VII、Dimensions 尺寸(mm)



# SUBMERGED SEWAGE PUMP

VQC / 铸铁污水泵

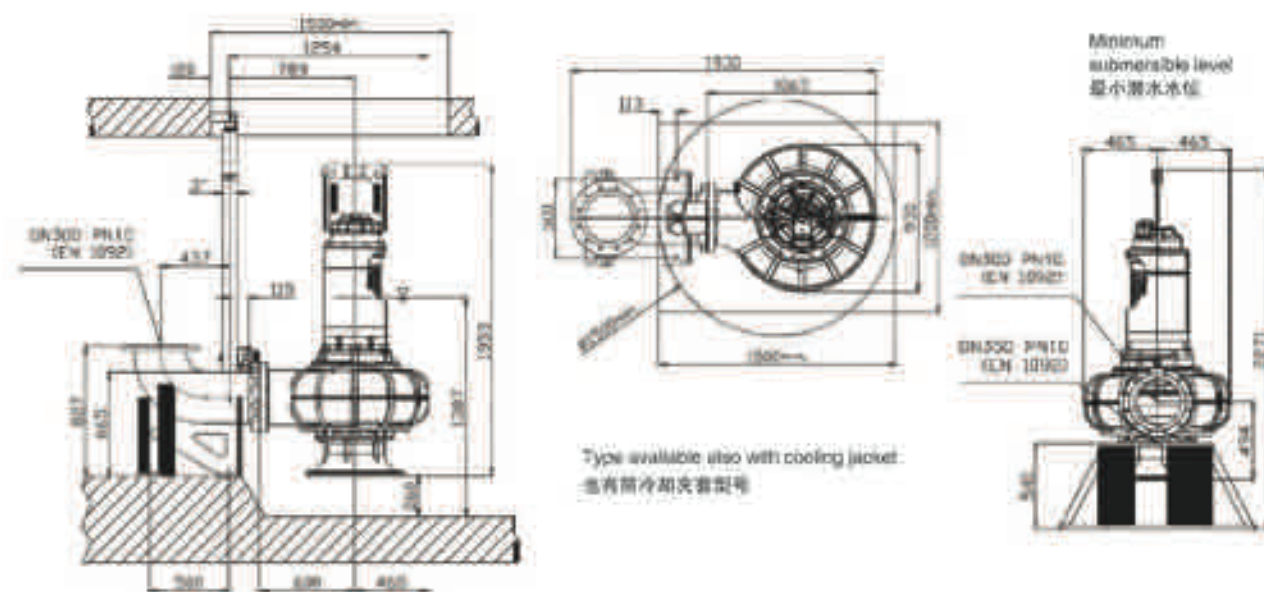
## VI、Performance Curve 性能曲线



电压	3ph 400/690V 50Hz
每分钟转速	750
自由通道 (mm)	50x140
接管直径 (mm)	DN 300
最大重量 (Kg)	1024

电压	代码	型号	额定功率P2 (kW)	额定流量Q (m³/h)	启动电流Ia (A)	ATEX 认证号
1	7007060	GB20R4C3-W140AA2	26.7	63.5	294	-
2	7000431	GB20R4C3-W140AA2	21.8	43.7	240	-

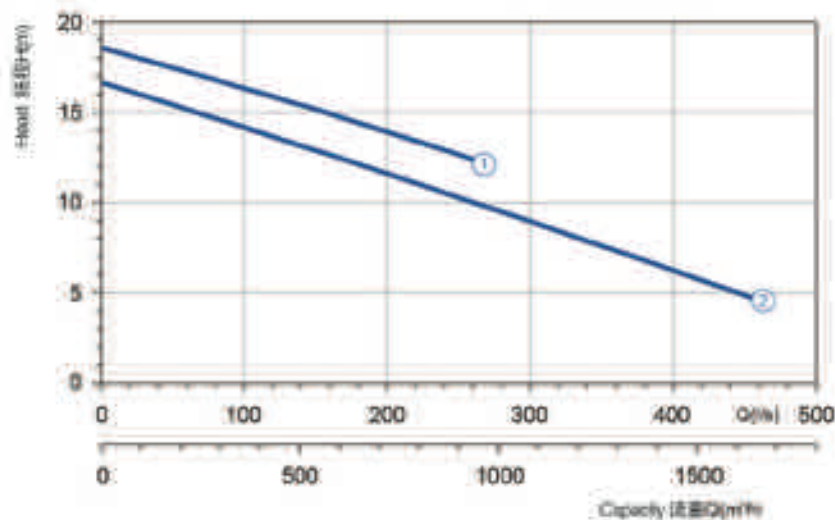
## VII、Dimensions 尺寸(mm)



# SUBMERGED SEWAGE PUMP

VQC / 铸铁污水泵

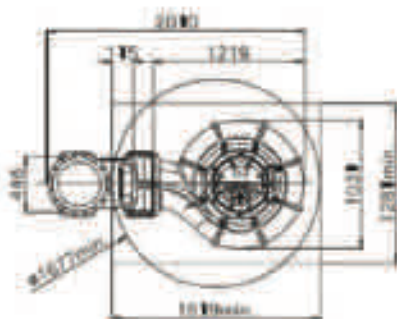
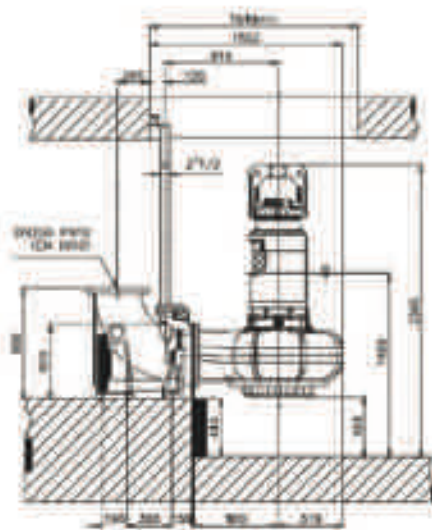
## VI、Performance Curve 性能曲线



电压	3ph 400/690V 50Hz
每分钟转速	750
自由通道 (mm)	112
接管直径 (mm)	DN 350
最大重量 (kg)	1350

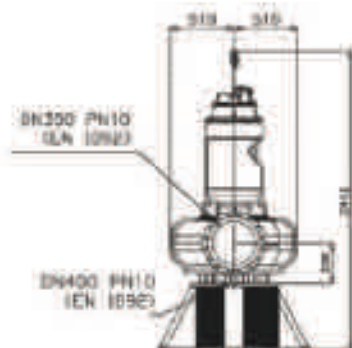
电机代码	代码	型号	额定功率P2 (kW)	额定流量Q (m³/h)	额定电压U (V)	ATEX 认证
1	7004899	G825R4C1-X112AAE	45	86.3	400	-
2	7005238	G825R4C3-X112AAE	40	79.3	404	-

## VII、Dimensions 尺寸(mm)



Type available also with cooling jacket 也可带冷却夹套型号

Minimum submersible level 最小潜水水位:

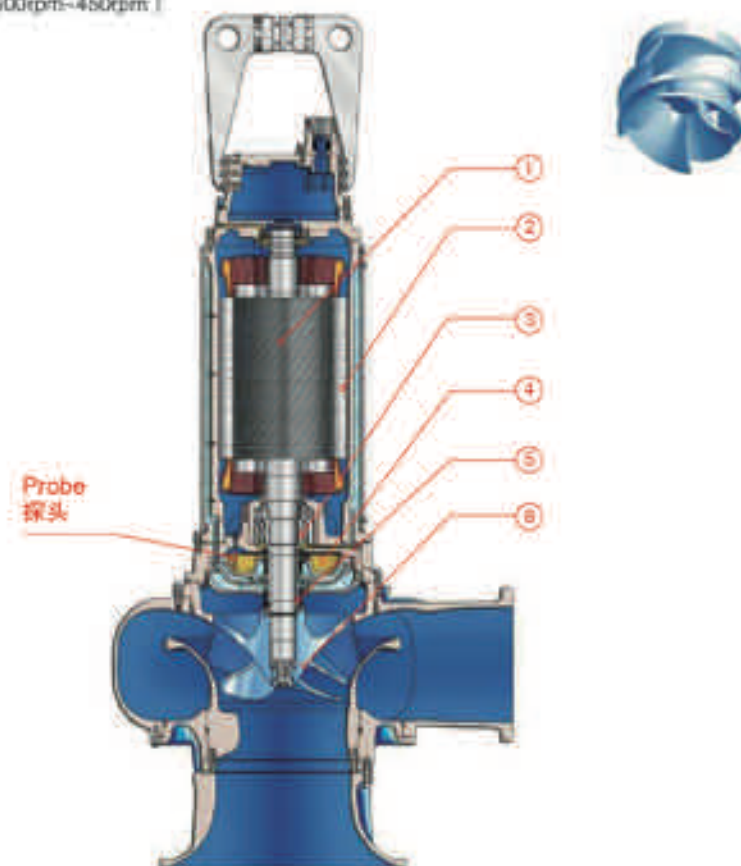


# SUBMERGED SEWAGE PUMP

VQC / 铸铁污水泵

## I、Features 特点

Submersible electric pumps with channels 8-10-12 poles  
潜水多磁极电机 8-10-12 极 | 750rpm-600rpm-450rpm |



- 1 Shafts** grinded down in ball bearings and mechanical seals seats, over-dimensioned respect to standard parameters of use.
  - 2 Motor** asynchronous three-phase squirrel cage type, insulation class H(180° C). Dry motor, cooled by cooler liquid. Protection degree IP 68. The motor is projected for continuous or intermittent operation, with a maximum of 15 starts per hour at regular intervals. The motor is projected for working with 5% maximum voltage unbalance between phases.
  - 3 Ball bearings** overdimensioned, double ball bearing with greasers and temperature sensor.
  - 4 Oil chamber** oil lubricates and cools the seals and emulsifies eventual water infiltrations. This electric pump has two types of seals for a perfect insulation between the electric motor and the pumped liquid. Upper seal: mechanical, ceramic / graphite.
  - 5 Lower seal** mechanical, silicon carbide.
  - 6 Impellers** are projected in order to guarantee and assure an high hydraulic efficiency and low power consumption, they have big inter-blades and diffuser free passages, minimum blades number, special blades design, especially diffusers' water-cutter blades designed to avoid filamentous materials catching.
- 1 轴** 滚珠轴承压入, 机械密封座, 尺寸大于标准使用参数。
  - 2 异步电机** 三相鼠笼型, 绝缘等级 H(180° C), 干电机, 由周围液体冷却, 防护等级 IP 68, 电机用于连续或间歇运行, 按固定时间间隔每小时最多启动 15 次, 电机用于相间电压不平衡最大为 5% 的工作环境。
  - 3 大尺寸滚珠轴承**, 双排滚珠轴承, 带润滑器具和温度传感器。
  - 4 润滑油室** 润滑和冷却密封件并防止乳化水渗透, 该电机有两种类型密封件, 可在电动机和泵送的液体之间完美地绝缘。  
上部密封: 陶瓷 / 石墨。
  - 5 底部密封** 机械密封, 碳化硅密封。
  - 6 泵轮** 用于保证和确保高液力效率, 低功耗, 泵轮有大内叶片和扩压器自由通道, 最小叶片数, 特殊的叶片设计, 特别是扩压器的水刀刀片设计, 可避免纤维材料缠绕。

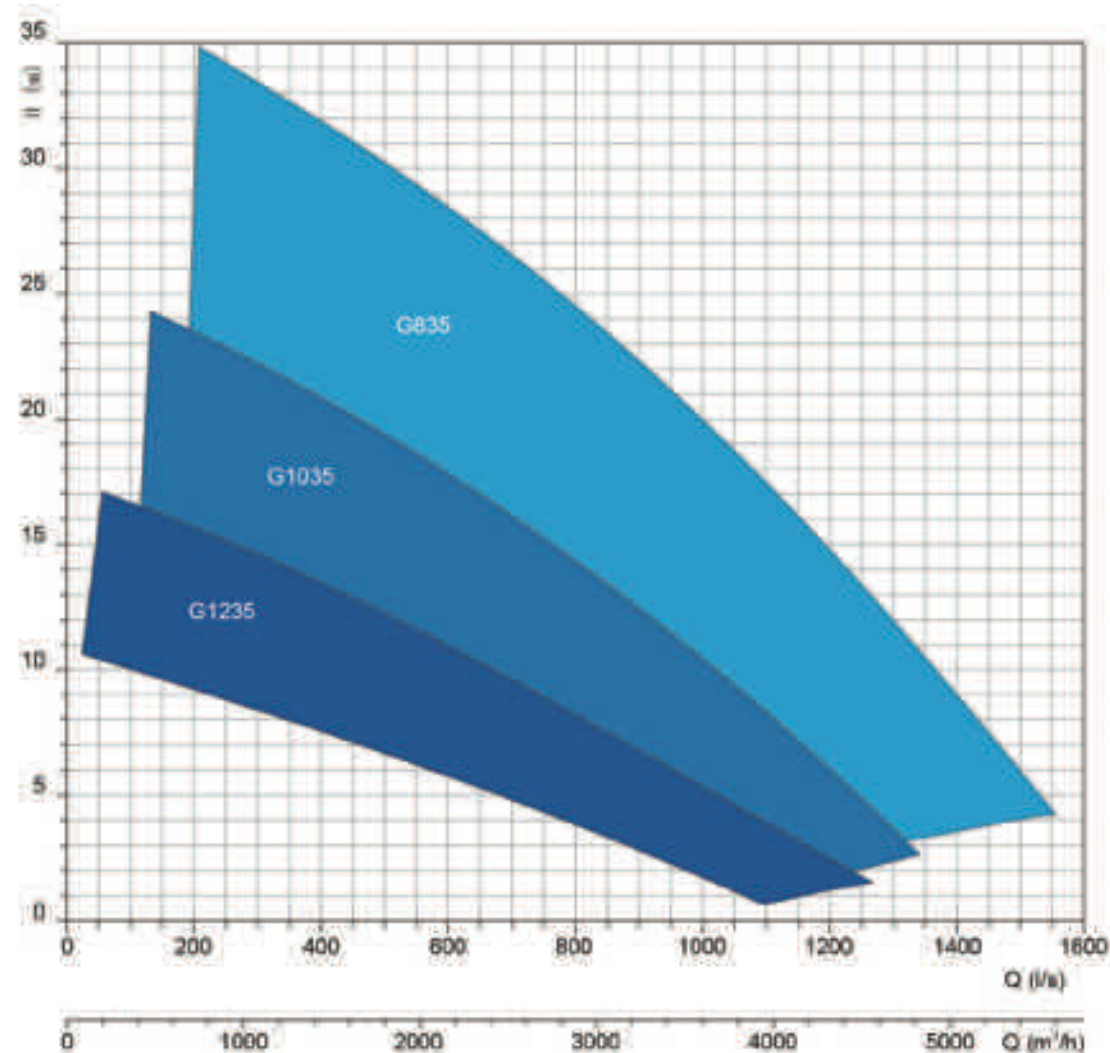
- VG
- D
- V
- S
- M
- H
- C
- T
- P
- XD
- XV
- XG
- XT
- BQ
- BV
- BC
- Installation
- Vx
- VW
- 附录



# SUBMERGED SEWAGE PUMP

VQC / 铸铁污水泵

## II、Submersible electric pumps with channels 8-10-12 poles 潜水多流道电泵/8-10-12极 (750rpm-600rpm-450rpm)

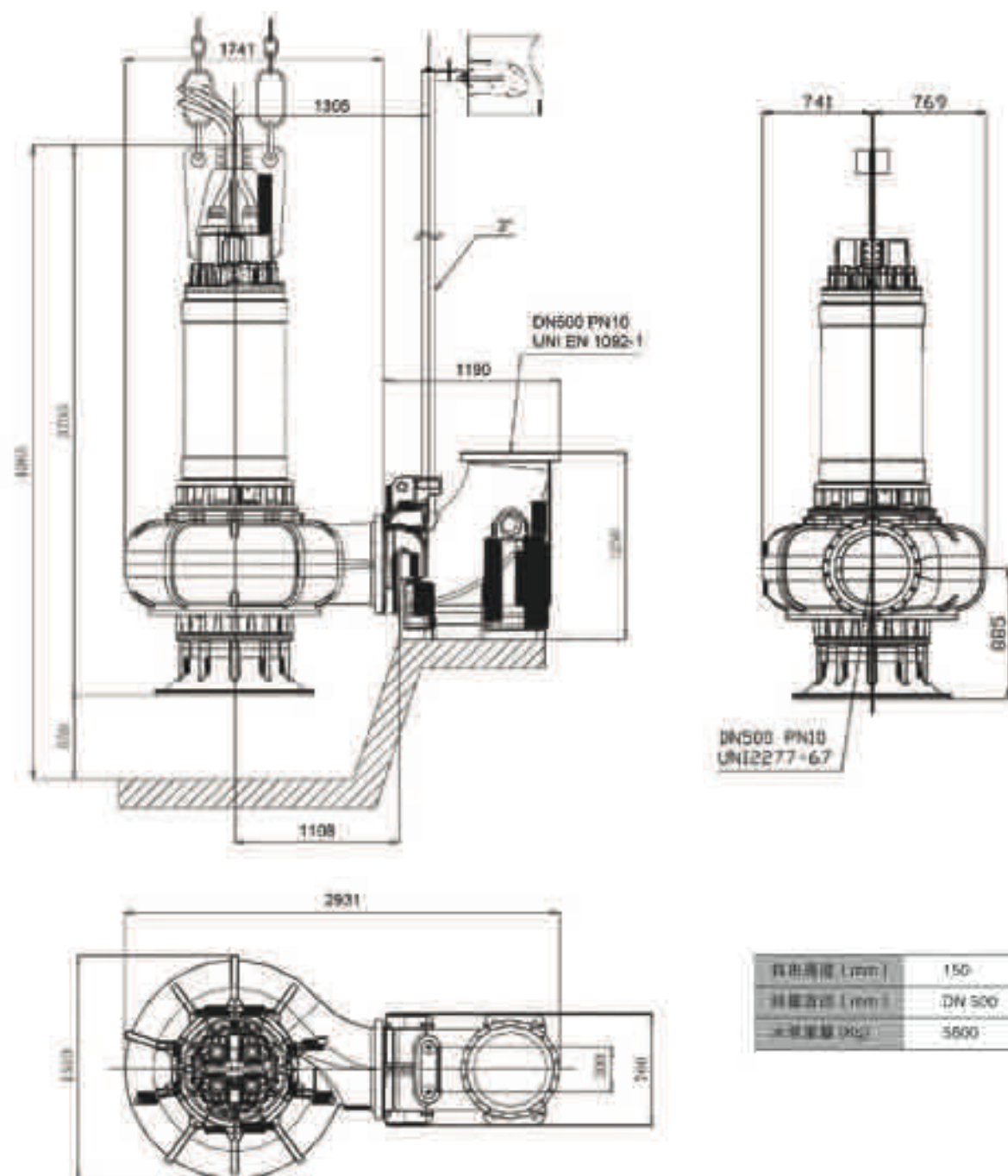


型号	电压	极数	每分钟转速	额定功率P2 (kW)	额定电流(A)	最高扬程(m)
G835	3ph 400/690V 50Hz	8	750	272	400	2695
G1035	3ph 400/690V 50Hz	10	600	143	291	1800
G1235	3ph 400/690V 50Hz	12	450	120	285	1681

# SUBMERGED SEWAGE PUMP

VQC / 铸铁污水泵

## III、Dimensions 尺寸(mm)



## SUBMERGED SEWAGE PUMP VQ SERIES

SUBMERGED  
PUMPS SEWAGE  
VQ

铸铁T型叶轮



## I、Application 应用

Submersible electric pumps with grinder are used prevalently for the lifting of waters containing filamentous materials, paper or textile materials, in particular for clearance of waste waters originating from service stations, housing communities, camping sites.

带粉碎机潜水电动机主要用于含纤维材料、纸和纺织材料的水的泵送。尤其适用于加油站、居住区、露营地等地的废水清理。

## II、Construction Data 结构数据

Submersible electric pumps, robust in construction, watertight electric motor accommodated in compartment, connected, by shafts of reduced lengths, to the impellers situated at the pump outlet by the interposition of oil chamber between the hydraulic side and the electric motor.

潜水电动机构造结实，电动机室防水密封，由短轴连接到泵壳内的泵轮上，润滑油室位于泵壳的液室侧与电机之间。

## III、Materials 材料

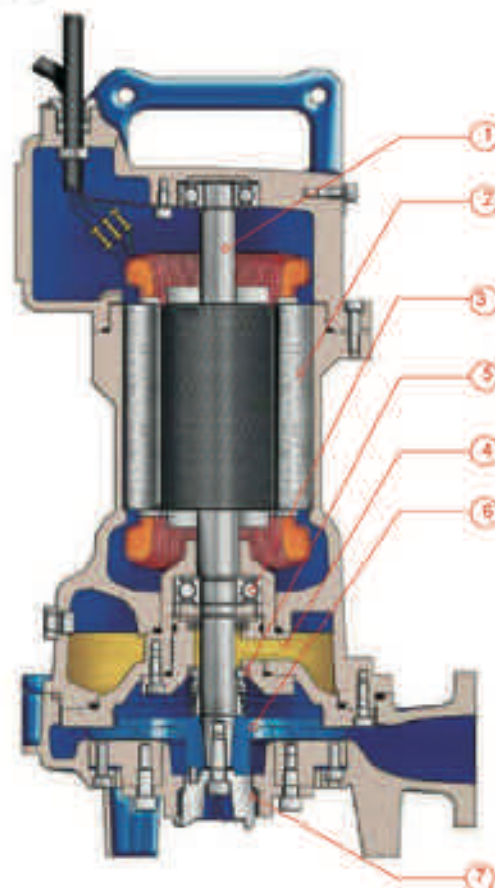
Motor Housing	电机外壳	Cast iron EN-GJL-250	铸铁 EN-GJL-250
Impeller	叶轮球形外壳	Cast-iron EN-GJL-400	铸铁 GS400
Electric Cable	电缆	Neoprene H07RNLF	氯丁橡胶 H07RNLF
Shaft	轴	Stainless Steel AISI 420B/431	不锈钢 AISI-420B/431
O-Rings And Lip Seal	O 形环和唇形密封	Nitrile	丁腈橡胶
Bolt	螺栓	A2 class - AISI 304	A2 类 - AISI 304
Mechanical Seal	机械密封	Silicon Carbide / Silicon Carbide	碳化硅/碳化硅

## SUBMERGED SEWAGE PUMP

VQC / 铸铁污水泵

## IV、Features 特点

Submersible electric pumps with grinder 2 poles  
电潜泵 / 2 极 (2900rpm) / 带粉碎机



- 1 **Shafts** grinded in ball bearings and mechanical seals seats, over-dimensioned respect to standard parameters of use.
  - 2 **Motor** asynchronous three-phase squirrel cage type, insulation class H(180 ° C). Dry motor, cooled by surrounding liquid. Protection degree IP 68. The motor is projected for continuous or intermittent operation, with a maximum of 15 starts per hour at regular intervals. The motor is projected for working with 5% maximum voltage unbalance between phases.
  - 3 **Ball bearings** overdimensioned, life lubricated, maintenance free.
  - 4 **Oil chamber** oil lubricates and cools the seals and eliminates eventual water infiltrations. This electric pump has two types of seals for a perfect insulation between the electric motor and the pumped liquid. Upper seal: mechanical, ceramic / graphite.
  - 5 **Lower seal** mechanical, silicon carbide.
  - 6 **Impellers** are projected in order to guarantee and assure an high hydraulic efficiency and low power consumption.
  - 7 **Grinder system** Stainless Steel AISI 420 of microcasting type.
- 1 轴滚珠轴承压入，机械密封座，尺寸大于标准使用参数。  
2 异步电机三相鼠笼型，绝缘等级 H(180 ° C)，干电机，由周围液体冷却，防护等级 IP 68。电机用于连续或间歇运行，按固定时间间隔每小时最多启动 15 次。电机用于相间电压不平衡最大为 5% 的工作环境。  
3 大尺寸滚珠轴承，长效润滑，免维护。  
4 润滑油室油润滑和冷却密封件并防止偶发水渗透。该电机有两种类型密封件，可在电动机和泵送的液体之间完美绝缘。上部密封：陶瓷 / 石墨。  
5 底部密封：机械密封，碳化硅密封。  
6 泵轮用于保证和确保高水力效率、低功耗。  
7 粉碎系统微铸型不锈钢 AISI 420。

VQ

D

V

S

M

H

C

T

P

XD

XV

XC

XT

BQ

BV

BC

Installation

Vx

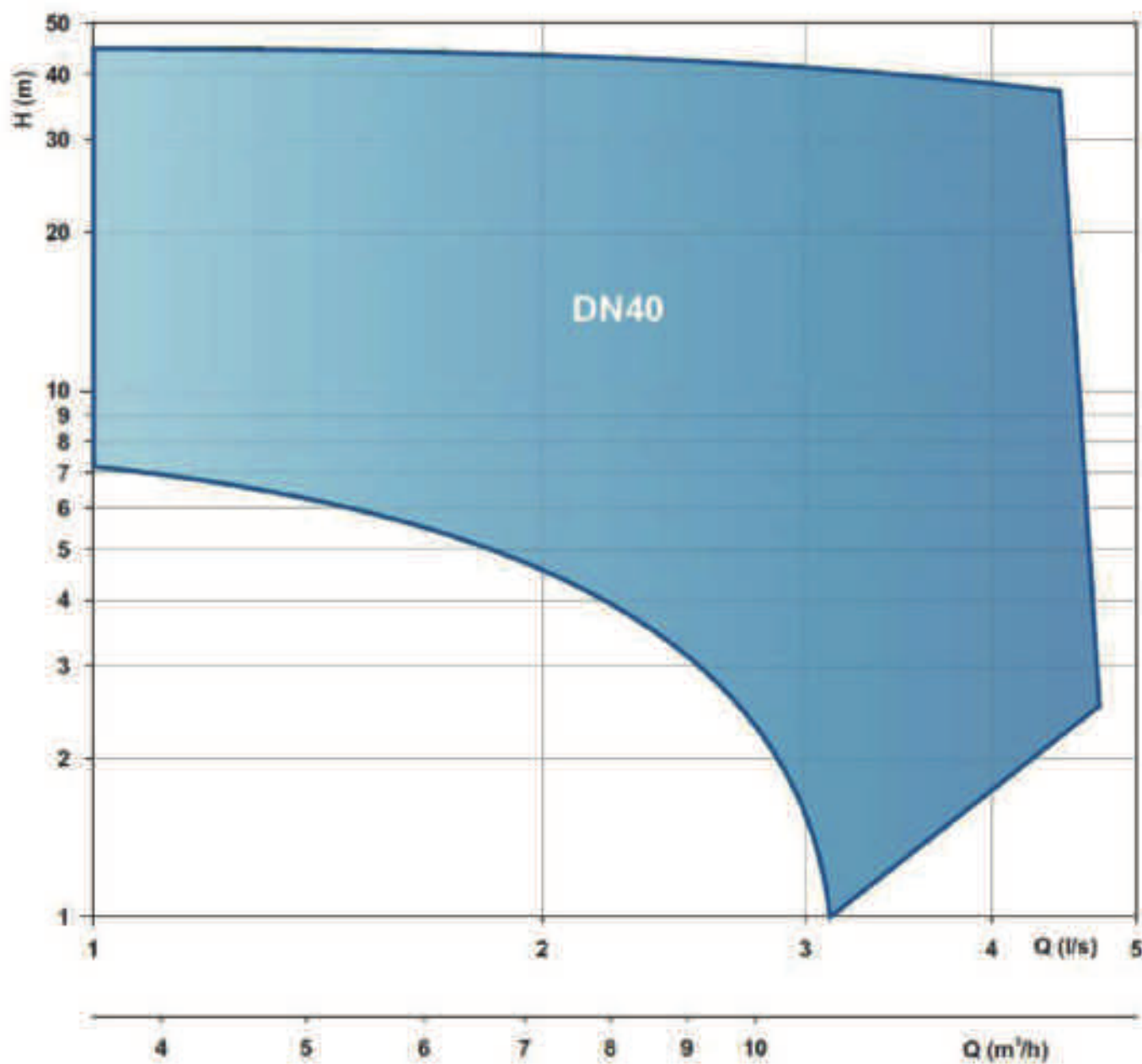
VW

附页

# SUBMERGED SEWAGE PUMP

VQC / 铸铁污水泵

## V、Submersible electric pumps with grinder 2 polesles 电潜泵/2极 (2900rpm) /带粉碎机

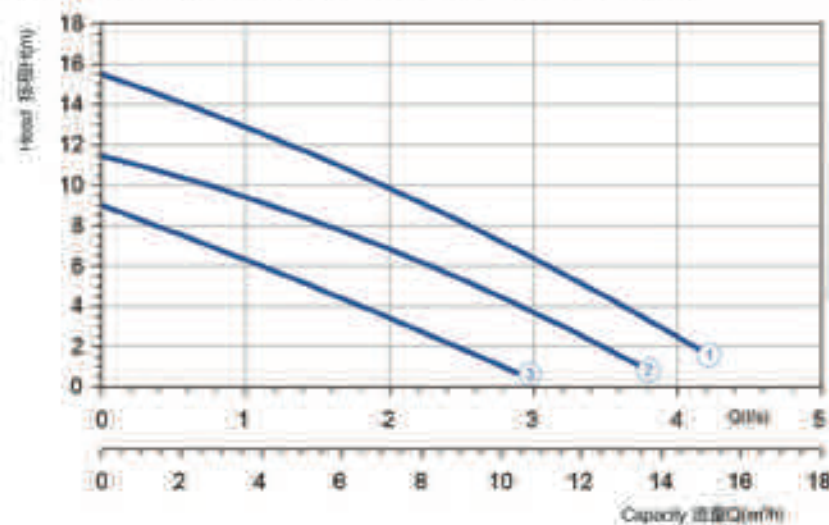


Technical data sheets are available on our web site [www.u-flo.com](http://www.u-flo.com)  
技术数据表可访问我们的网站获取: [www.u-flo.com](http://www.u-flo.com)

# SUBMERGED SEWAGE PUMP

VQC / 铸铁污水泵

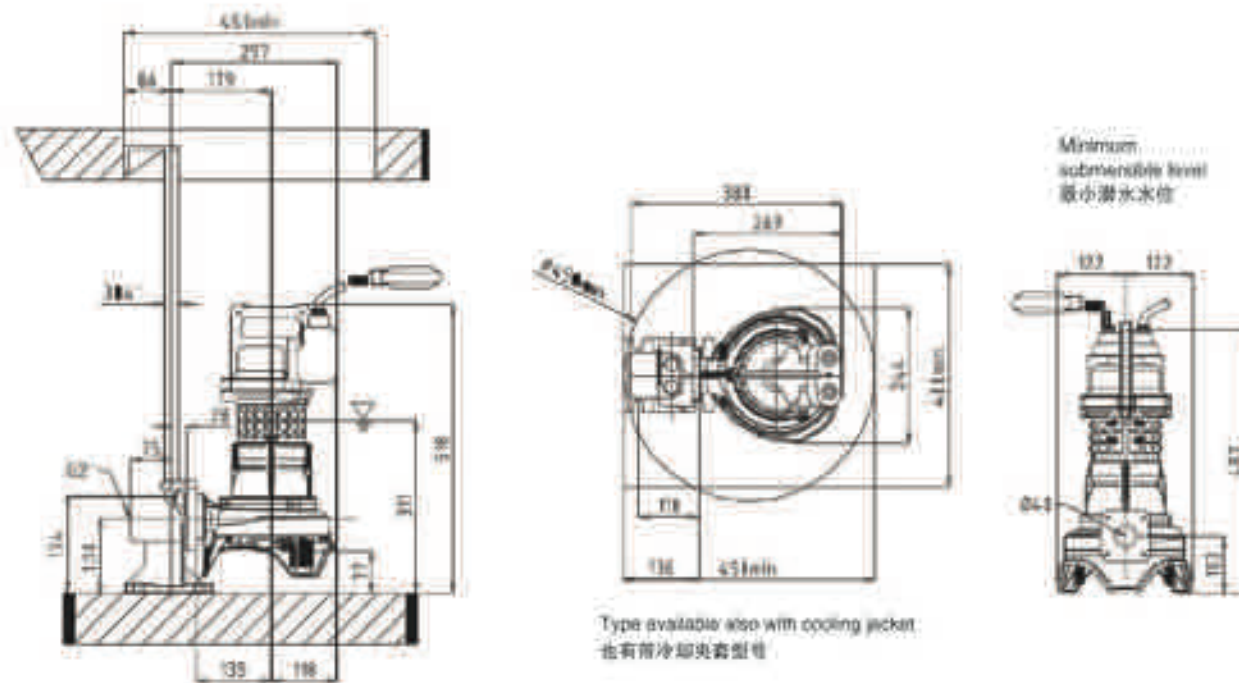
## VI、Performance Curve 性能曲线



规格	1台 200W 50Hz	流量H	材料	型号	电机			ATEX 认证
					额定功率P2 (kW)	额定电流 (A)	启动电流Ia (A)	
每分钟转速	2900							
自由口径 (mm)	6	1	7009758	G272M3T1-JSAD1	1.1	6.6	24.4	-
研磨口径 (mm)	DN 40	1	7009158	G272M3T2-JSAD1	1.1	6.6	24.4	-
最大重量 (Kg)	30	1	7003219	G272M3T3-JSAD1	1.1	6.6	24.4	-

Pump supplied with a Control Panel with capacitor and disjunctour  
水泵配有带电容器和开关的操纵柜

## VII、Dimensions 尺寸(mm)

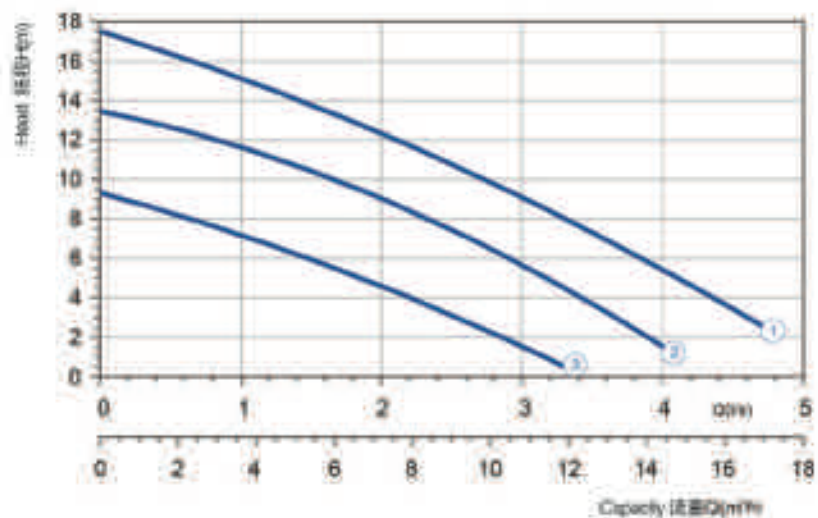


Type available also with cooling jacket  
也有带冷却夹套型号

# SUBMERGED SEWAGE PUMP

VQC / 铸铁污水泵

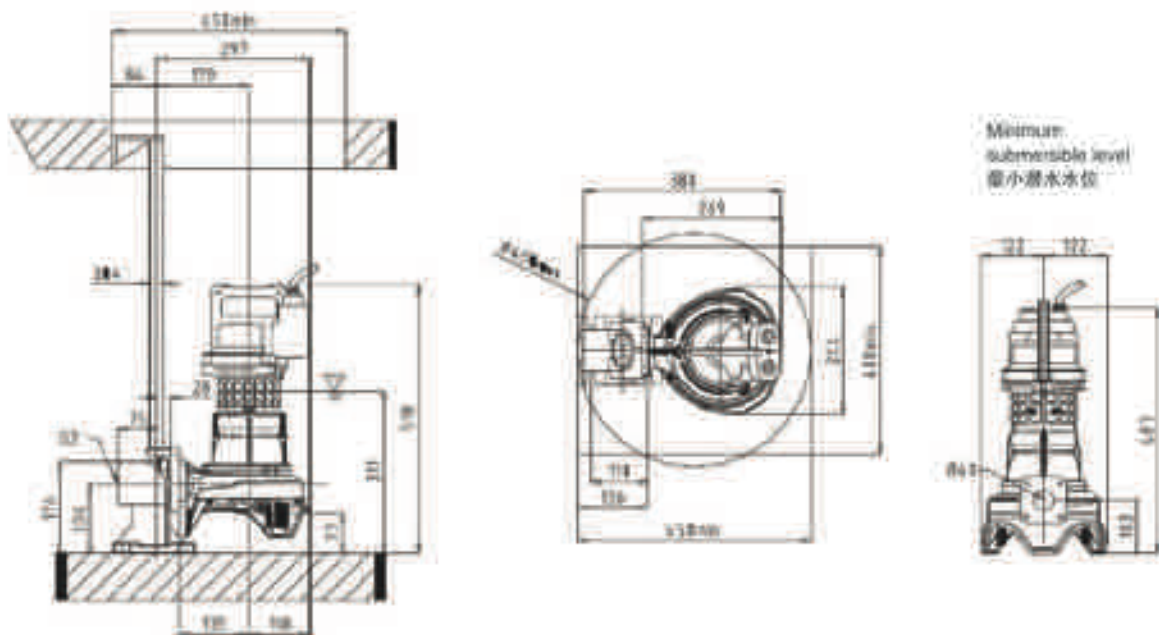
## VI、Performance Curve 性能曲线



电压	3ph 400V 50Hz
每分钟转速	2850
自由通道 (mm)	6
接管直径 (mm)	DN 40
最大重量 (Kg)	30

电压	代码	型号	电机			ATEX 认证
			额定功率P2 (kW)	额定电流I <sub>N</sub> (A)	启动电流I <sub>s</sub> (A)	
1	700R128	G272T3T1-J6A40	1.4	2.7	13.2	-
1	700R018	G272T3T2-J6A40	1.1	2.4	11.8	-
1	700R022	G272T3T3-J6A40	1.1	2.4	11.8	-

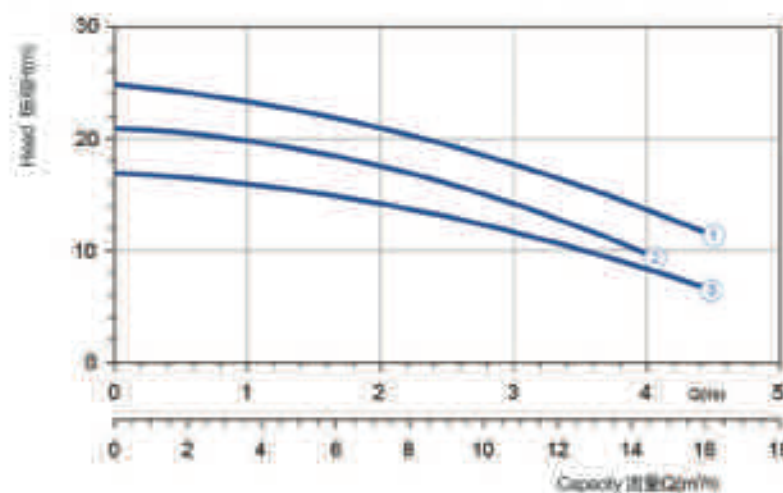
## VII、Dimensions 尺寸(mm)



# SUBMERGED SEWAGE PUMP

VQC / 铸铁污水泵

## VI、Performance Curve 性能曲线

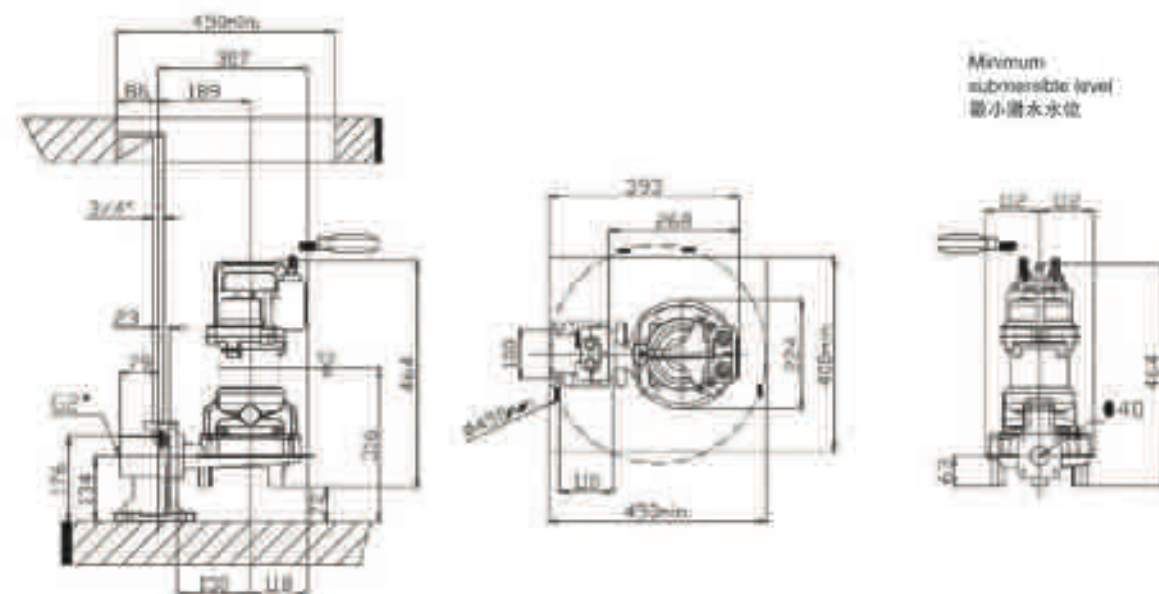


电压	1ph 230V 50Hz
每分钟转速	2850
自由通道 (mm)	6
接管直径 (mm)	DN 40
最大重量 (Kg)	40

电压	代码	型号	电机			ATEX 认证
			额定功率P2 (kW)	额定电流I <sub>N</sub> (A)	启动电流I <sub>s</sub> (A)	
1	700R026	G271M5T1-J6AD1	1.5	11.4	62.7	-
1	700R028	G271M6T2-J6AD1	1.5	8	33.3	-
1	700R031	G271M6T3-J6AD1	1.1	6.6	24.4	-

Pump supplied with a Control Panel with capacitor and disjuncteur  
水泵配有带电容器和开关的柜面板

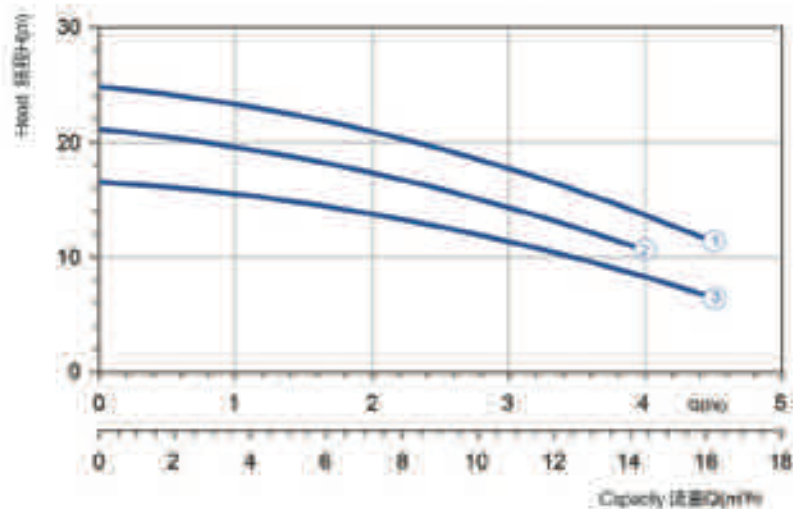
## VII、Dimensions 尺寸(mm)



# SUBMERGED SEWAGE PUMP

VQC / 铸铁污水泵

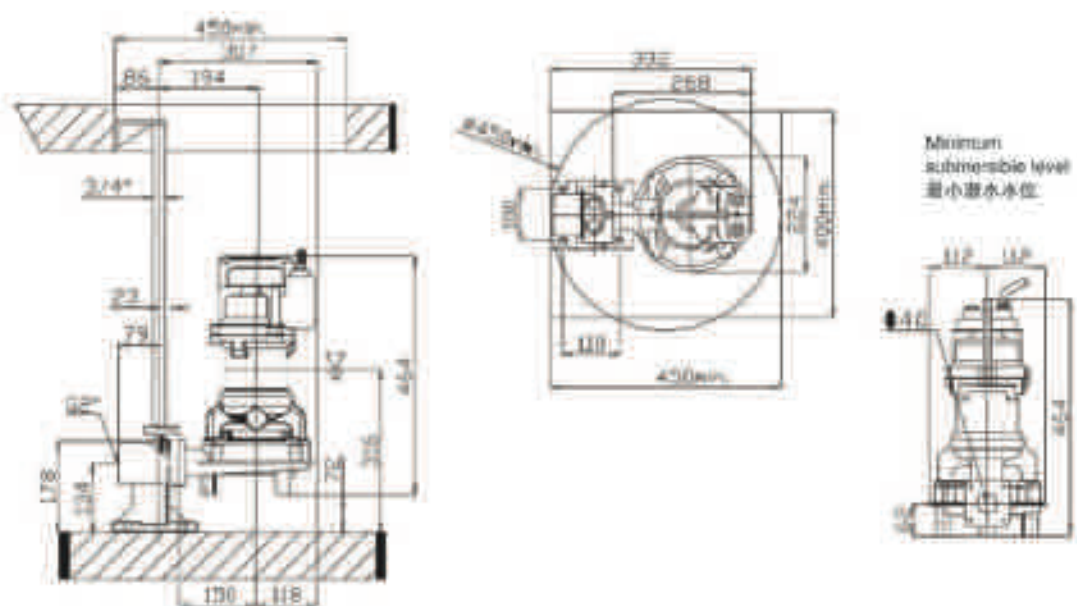
## VI、Performance Curve 性能曲线



电压	3ph 400V 50Hz
每分钟转速	2850
自由通道 (mm)	6
接管直径 (mm)	DN 40
最大重量 (Kg)	40

电压	代码	型号	额定功率P2 (kW)	额定电流I(A)	启动电流I(A)	ATEX 认证号
3	7002050	G271T8T1-J6AA0	2.4	4.5	26.8	7002788
3	7002051	G271T8T2-J6AA0	1.6	3.1	15.2	7002701
3	7002052	G271T8T3-J6AA0	1.8	3.1	15.2	7002789

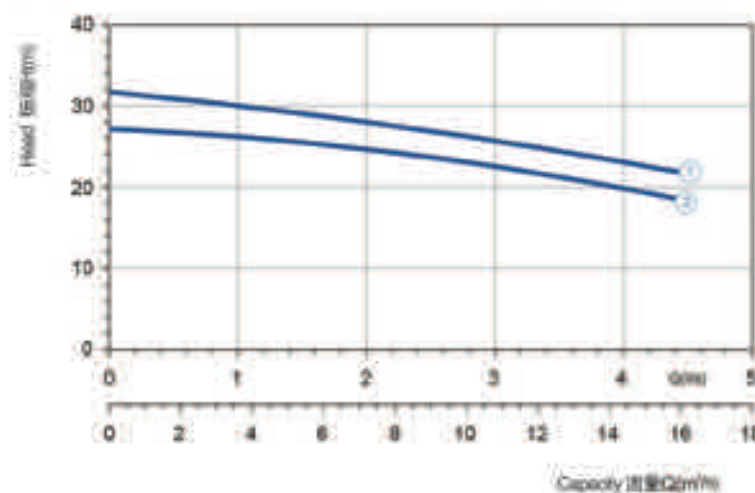
## VII、Dimensions 尺寸(mm)



# SUBMERGED SEWAGE PUMP

VQC / 铸铁污水泵

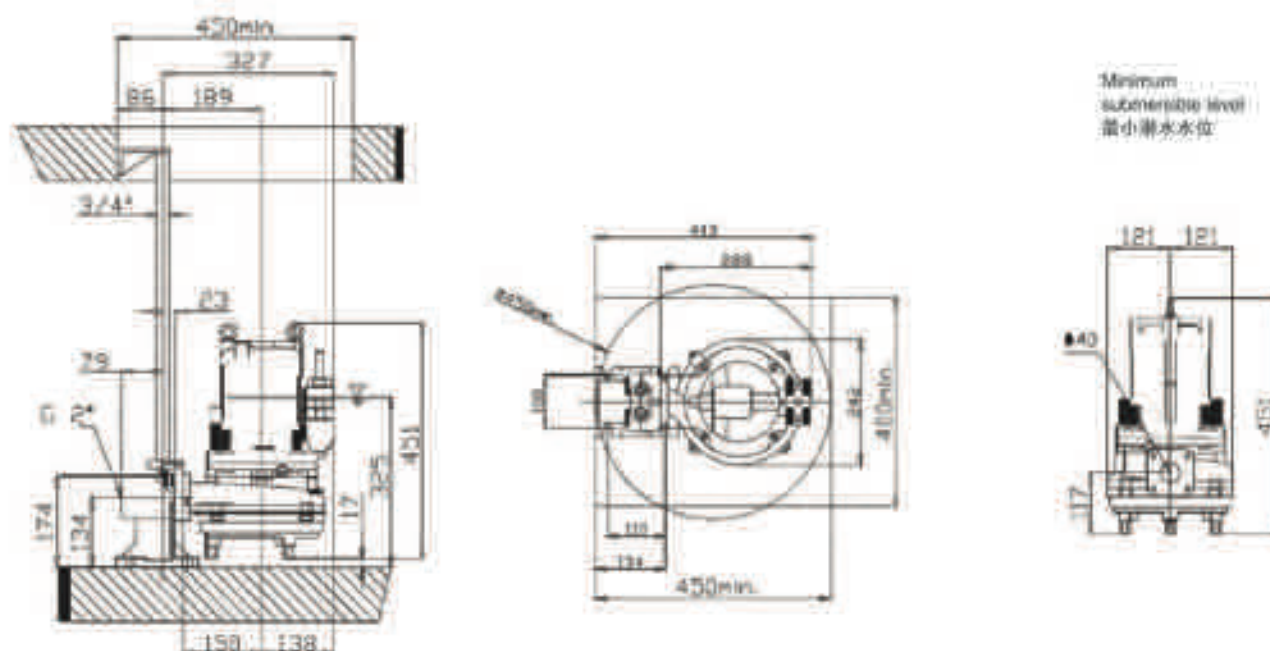
## VI、Performance Curve 性能曲线



电压	3ph 400V 50Hz
每分钟转速	2850
自由通道 (mm)	7
接管直径 (mm)	DN 40
最大重量 (Kg)	52

电压	代码	型号	额定功率P2 (kW)	额定电流I(A)	启动电流I(A)	ATEX 认证号
3	7001042	G209T6T1-J7AA0	3.1	5.8	34.2	7009498
3	7001041	G209T6T2-J7AA0	3.1	5.8	34.2	7009808

## VII、Dimensions 尺寸(mm)

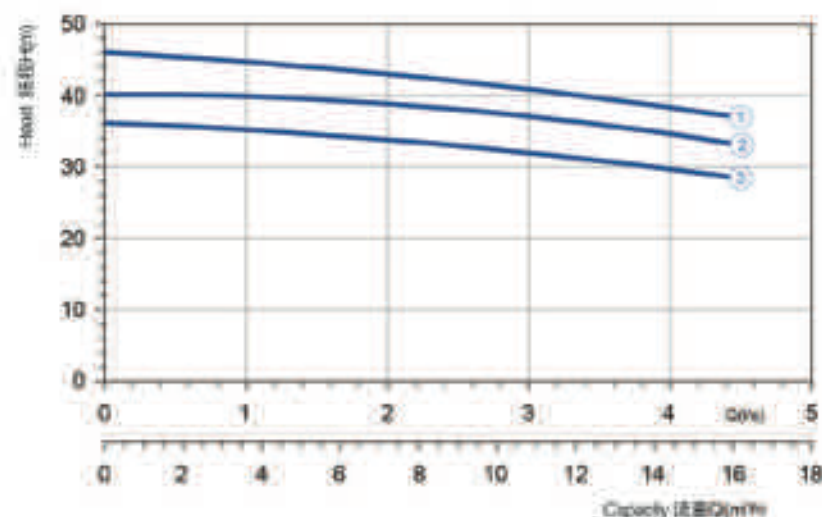


# SUBMERGED SEWAGE PUMP

VQC / 铸铁污水泵

SUBMERGED SEWAGE PUMP VQ SERIES

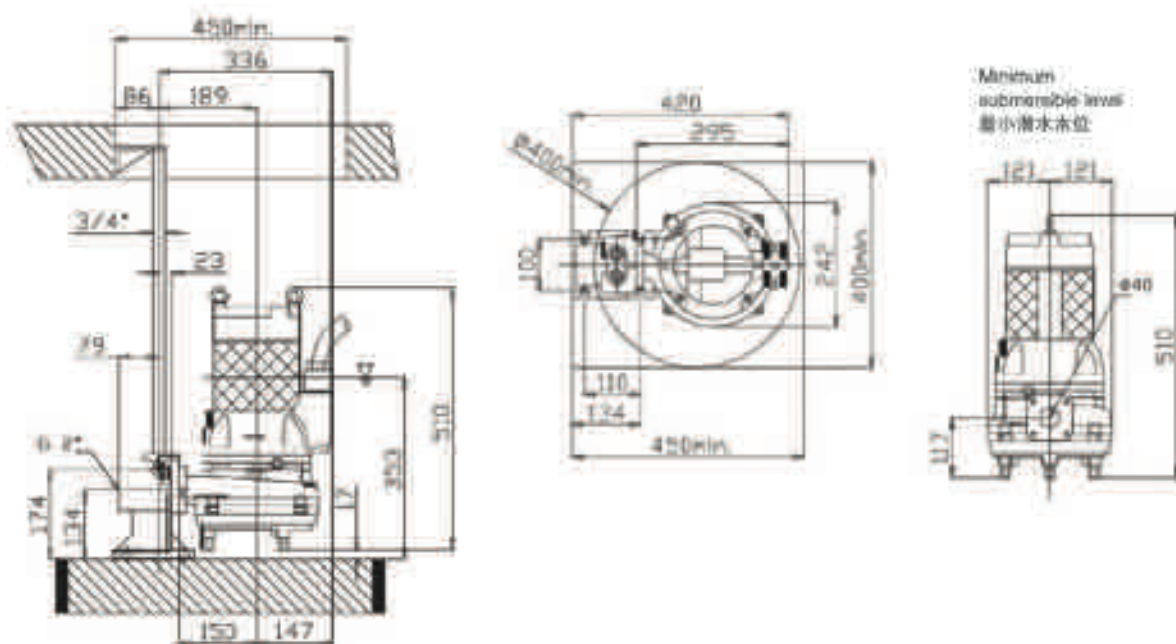
## VI、Performance Curve 性能曲线



电压	3ph 400/690V 50Hz
每分钟转速	2850
自由扬程 (mm)	7'
接管直径 (mm)	DN 40
最大重量 (Kg)	67

电机	代码	型号	额定功率 (kW)	额定电压 (V)	额定电流 (A)	ATEX 认证
1	7001800	G210RET1-J7AA2	5	0.1	53.7	70026H
2	7001923	G210RET2-J7AA2	5	9.1	53.7	70026G
3	7001924	G210RET3-J7AA2	4.2	7.7	45.4	70026B

## VII、Dimensions 尺寸(mm)



# SUBMERGED PUMPS SEWAGE



铸铁T型叶轮

## I、Application 应用

Submersible electric pumps with grinder are used prevalently for the lifting of waters containing filamentous materials, paper or textile materials, in particular for clearance of waste waters originating from service stations, housing communities, camping sites.

带粉碎装置的潜水电泵主要用于含纤维材料、纸和纺织材料的水的泵送。尤其适用于加油站、居住区、露营地等地的废水清理。

## II、Construction Data 结构数据

Submersible electric pumps, robust in construction, watertight electric motors accommodated in compartment, connected, by shafts of reduced lengths, to the impellers situated at the pump; casing by the interposition of oil chamber between the hydraulic side and the electric motor.

潜水电泵构造结实，电动马达防水密封，由短轴连接到泵壳内的泵轮上，润滑油室位于泵壳的液压侧与电机之间。

## III、Materials 材料

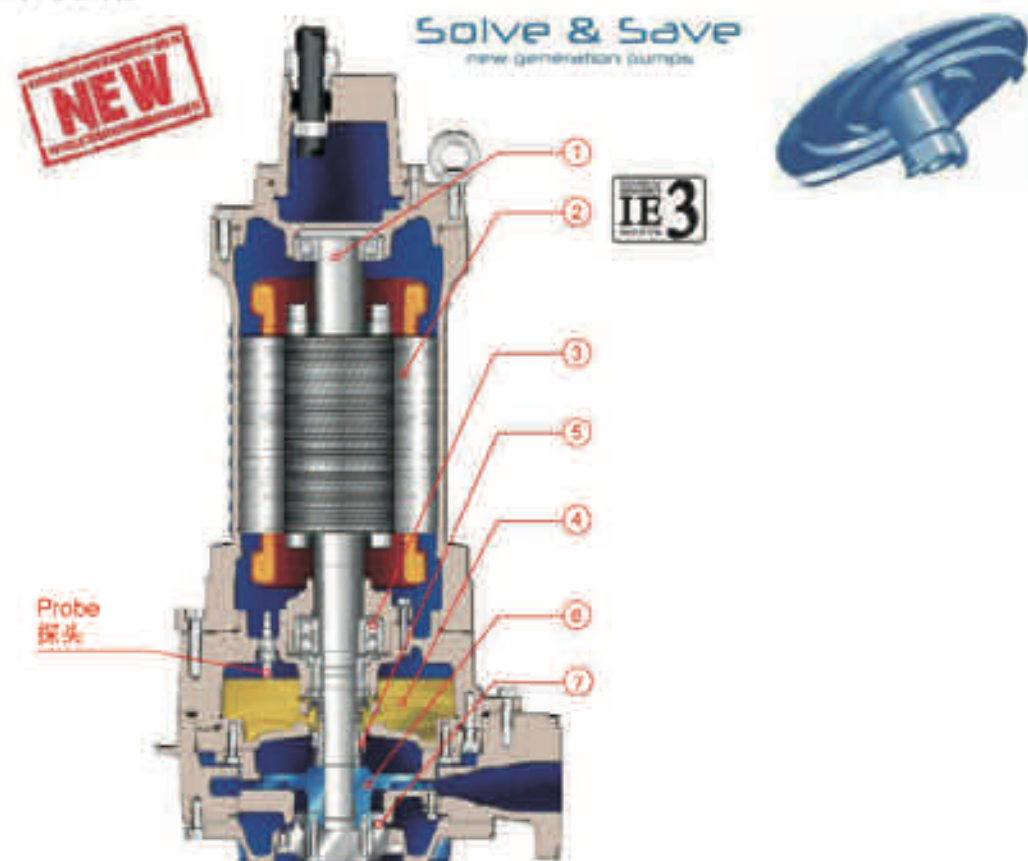
Motor Housing	电机外壳	Cast iron EN-GJL-250	铸铁 EN-GJL-250
Impeller	叶轮球形外壳	Cast iron EN-GJS-400	铸铁 GS400
Electric Cable	电缆	Nobonite HQ7PMF	氟丁橡胶 HQ7PMF
Shaft	轴	Stainless Steel AISI 420S/431	不锈钢 AISI 420S/431
O-Rings And Lip Seal	O 形环和唇形密封	Nitrile	丁腈橡胶
Bolt	螺栓	A2 class - AISI 304	A2 类 - AISI 304
Mechanical Seal	机械密封	Silicon Carbide / Silicon Carbide	碳化硅/碳化硅

# SUBMERGED SEWAGE PUMP

VQC / 铸铁污水泵

## IV、Features 特点

Submersible electric pumps with grinder 2 poles.  
电潜泵/2极 (2900rpm) / 带粉碎机



- 1 Shafts grinded down in ball bearings and mechanical seals seats, over-dimensioned respect to standard parameters of use.
- 2 Motor asynchronous three-phase squirrel cage type, insulation class H(180 ° C). Dry motor, cooled by surrounding liquid. Protection degree IP 68. The motor is projected for continuous or intermittent operation, with a maximum of 15 starts per hour at regular intervals. The motor is projected for working with 5% maximum voltage unbalance between phases.
- 3 Ball bearings overdimensioned, life lubricated, maintenance free.
- 4 Oil chamber oil lubricates and cools the seals and emulsifies eventual water infiltrations. This electric pump has two types of seals for a perfect insulation between the electric motor and the pumped liquid. Upper seal: lip seal NBR.
- 5 Lower seal: mechanical, silicon carbide.
- 6 Impellers are projected in order to guarantee and assure an high hydraulic efficiency and low power consumption.
- 7 Grinder system: Stainless Steel AISI 420 of microcasting type.

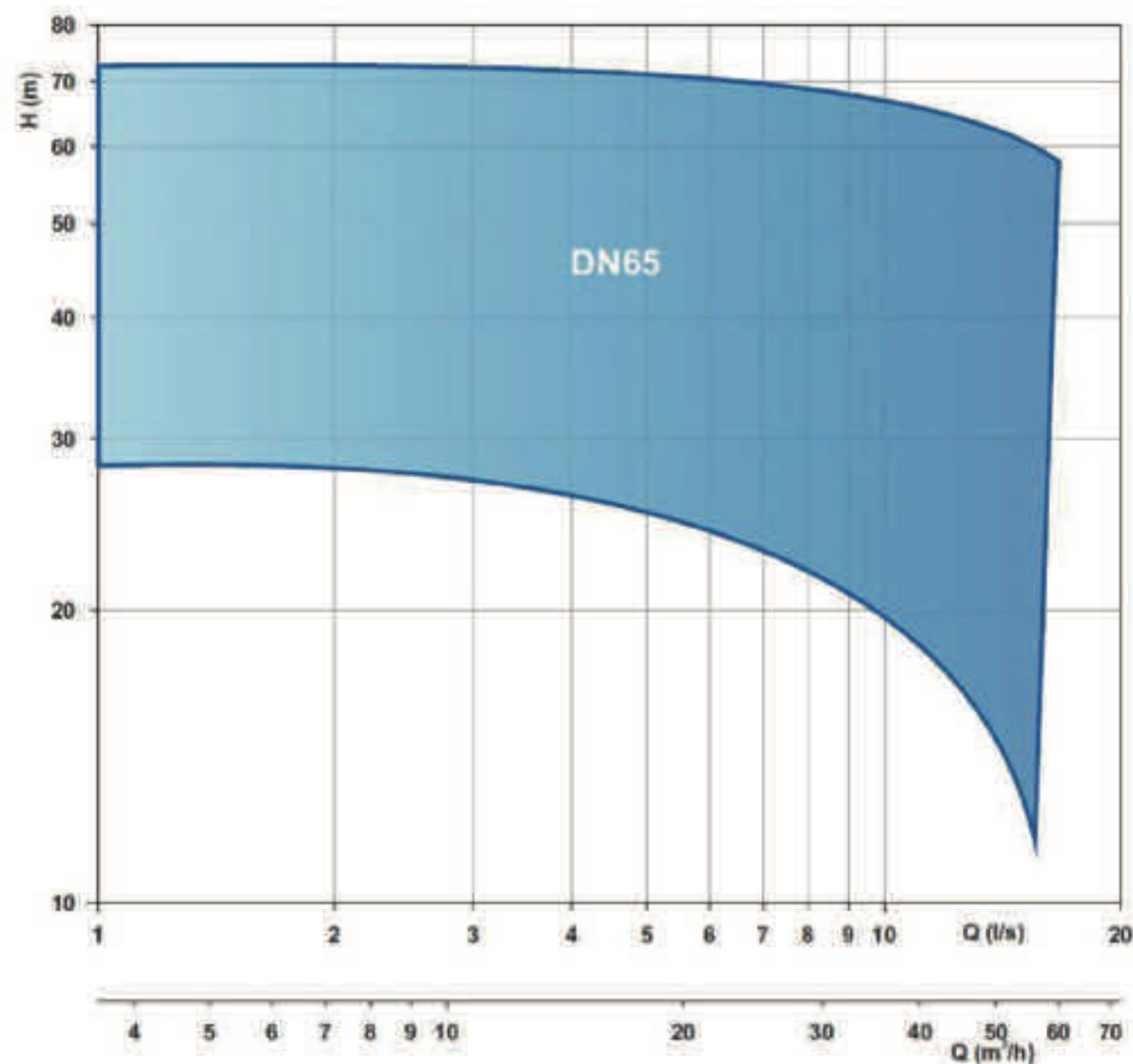
- 1 轴承球轴承压入，机械密封座，尺寸大于标准使用参数。
- 2 异步电机三相鼠笼型，绝缘等级H(180°C)，干电机，由周围液体冷却，防护等级IP68。电机用于连续或间歇运行，按固定时间间隔每小时最多启动15次。电机用于相间电压不平衡最大为5%的工作环境。
- 3 大尺寸滚珠轴承，长效润滑，免维护。
- 4 润滑油室油润滑和冷却密封件并驱除乳化水渗透。该电泵有两种类型密封件，可在电动机和泵送的液体之间完美地隔绝。上部密封：唇封/橡胶/石墨。
- 5 底部密封：机械密封，碳化硅密封。
- 6 泵轮用于保证和确保高水力效率、低功耗。
- 7 粉碎系统：铸钢型不锈钢 AISI 420。

# SUBMERGED SEWAGE PUMP

VQC / 铸铁污水泵

## V、Submersible electric pumps with grinder 2 poles

电潜泵/2极 (2900rpm) / 带粉碎机

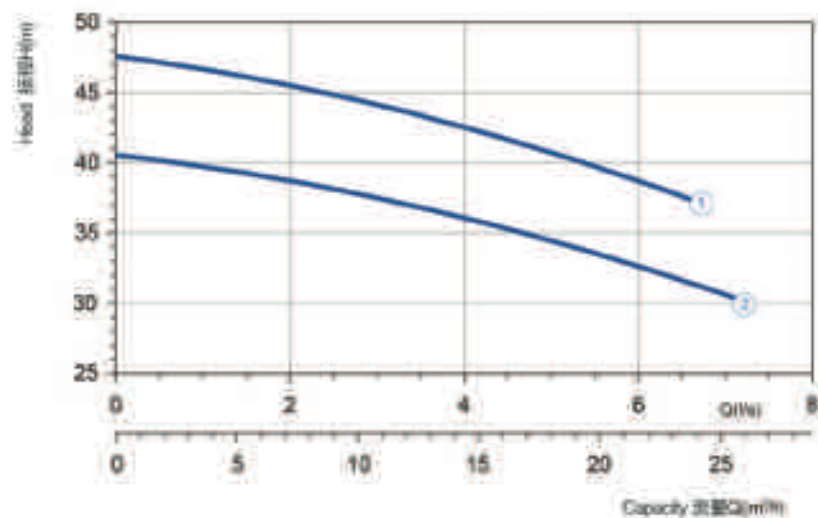


Technical data sheets are available on our web site [www.u-flo.com](http://www.u-flo.com)  
技术数据表可访问我们的网站获取：[www.u-flo.com](http://www.u-flo.com)

# SUBMERGED SEWAGE PUMP

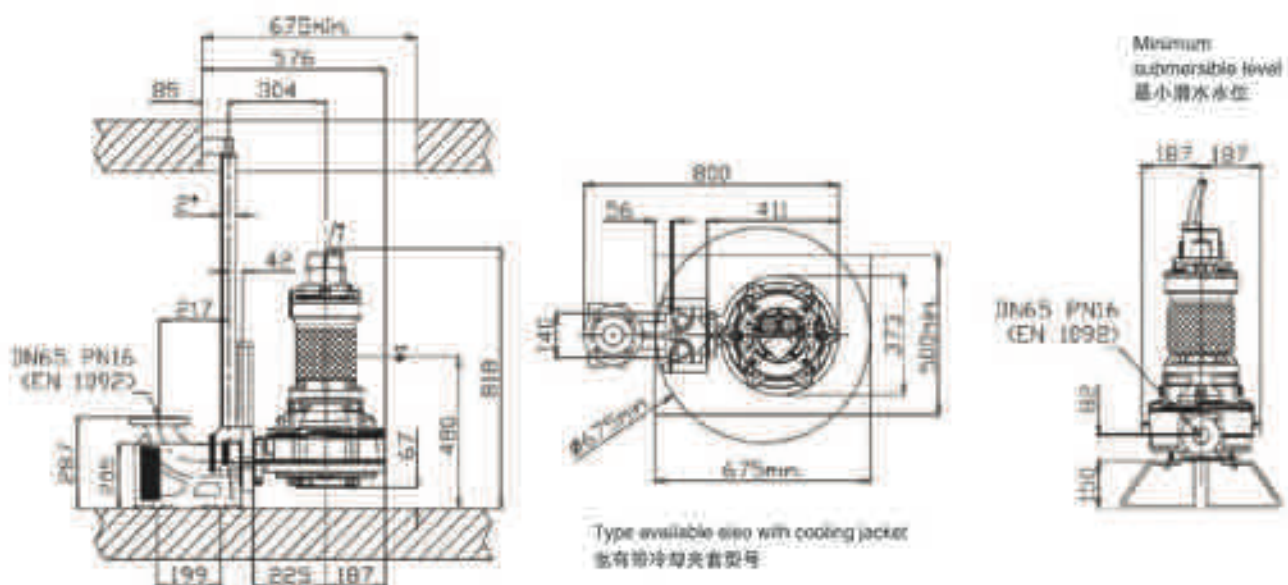
VQC / 铸铁污水泵

## VI、Performance Curve 性能曲线



电机 每分钟转速	3oh 400/690V 50Hz 2850	系列号	材料	型号	电机			ATEX 认证号
					额定功率P <sub>n</sub> (kW)	额定电流 I <sub>n</sub> (A)	启动电流 I <sub>s</sub> (A)	
自由通道 (mm)	8	1	7006837	G211R6T2-L3AA2	7.5	13.5	79.7	7006135
排量直径 (mm)	DN 65	2	7006908	G211R6T3-L3AA2	8.5	11.8	69.6	7006280
最大重量 (Kg)	178							

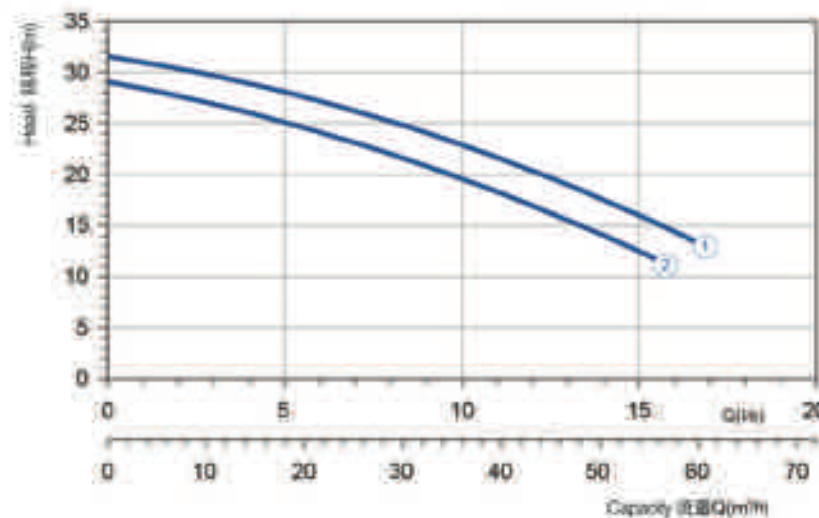
## VII、Dimensions 尺寸(mm)



# SUBMERGED SEWAGE PUMP

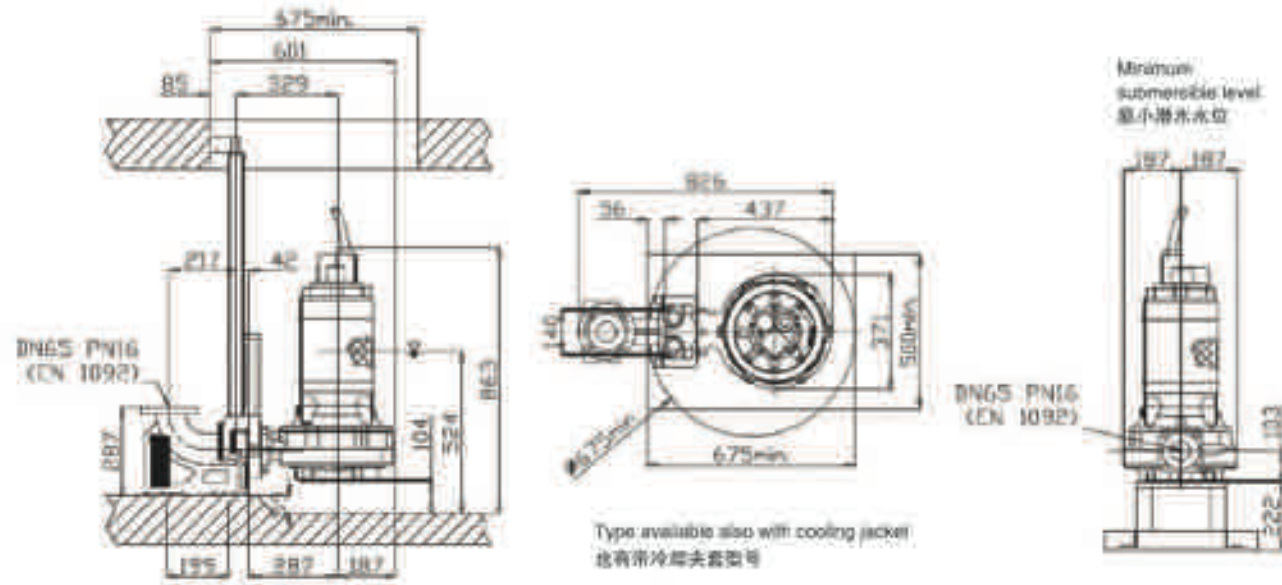
VQC / 铸铁污水泵

## VI、Performance Curve 性能曲线



电机 每分钟转速	3oh 400/690V 50Hz 2850	系列号	材料	型号	电机			ATEX 认证号
					额定功率P <sub>n</sub> (kW)	额定电流 I <sub>n</sub> (A)	启动电流 I <sub>s</sub> (A)	
自由通道 (mm)	10	1	7001920	G211R4T4-L10AA2	8.2	14.7	86.7	7006998
排量直径 (mm)	DN 65	1	7002896	G211R4T5-L10AA2	7.5	13.5	79.6	7006506
最大重量 (Kg)	185							

## VII、Dimensions 尺寸(mm)

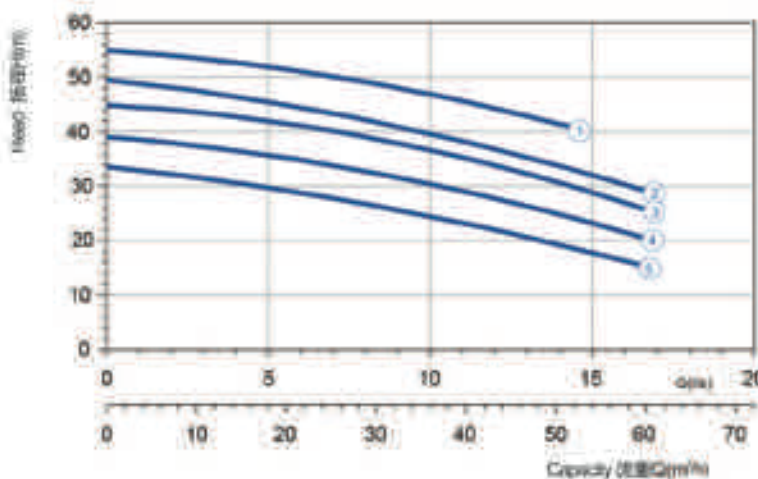




# SUBMERGED SEWAGE PUMP

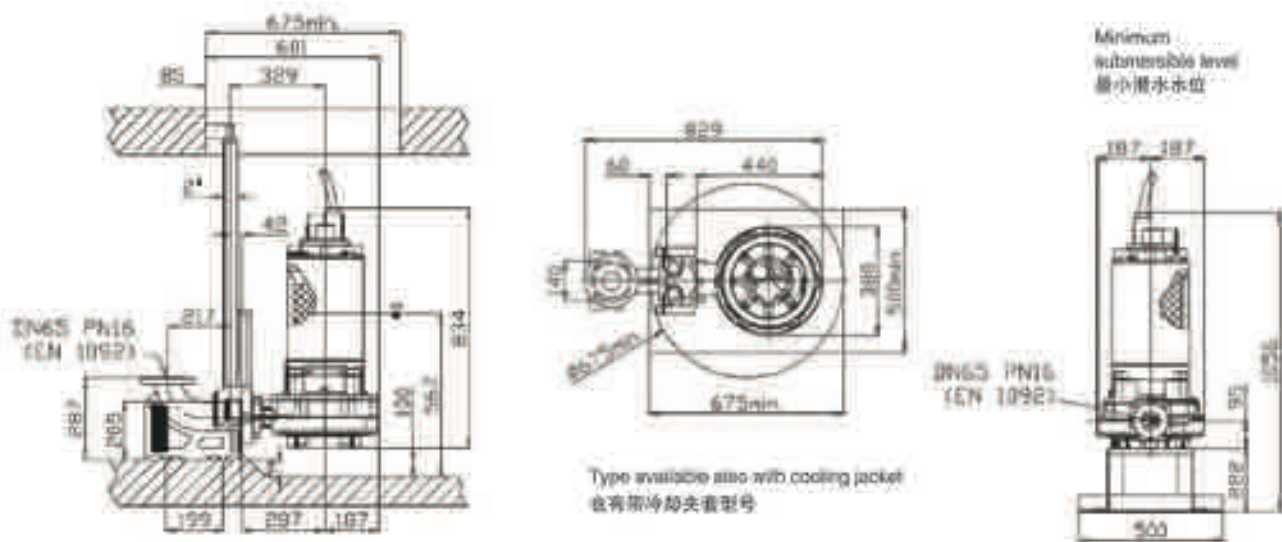
VQC / 铸铁污水泵

## VI、Performance Curve 性能曲线



电源	3ph 400V 50Hz	电机			ATEX 认证号			
每分钟转速	2850	额定功率 (kW)	额定电流 (A)	额定电压 (V)				
自由扬程 (mm)	40	1	7001399	G213R4T7-L10AA2	16.6	29.8	176	7005972
排量直径 (mm)	DN 85	2	7004865	G213R4T1-L10AA2	13.8	24.8	146	7006540
最大重量 (Kg)	290	3	7004825	G213R4T2-L10AA2	13.8	24.8	146	7007372
		4	7004845	G213R4T3-L10AA2	11	18.9	117	7007127
		5	7002107	G213R4T4-L10AA2	8	16.2	95.6	7007417

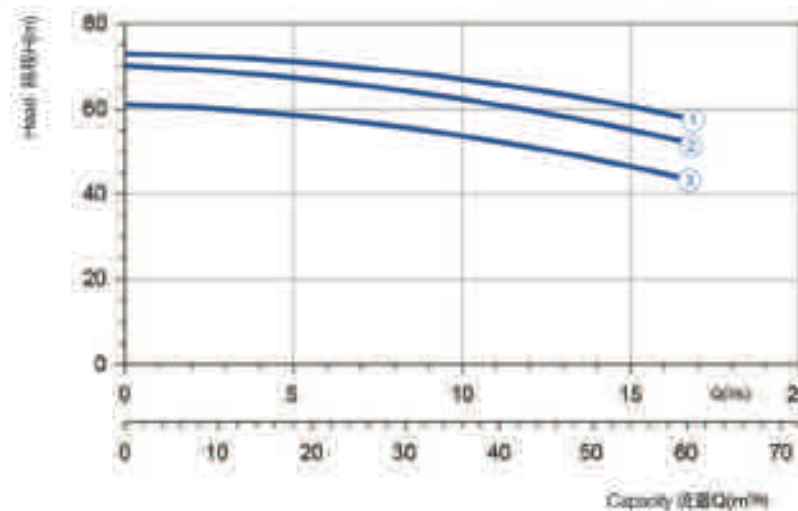
## VII、Dimensions 尺寸(mm)



# SUBMERGED SEWAGE PUMP

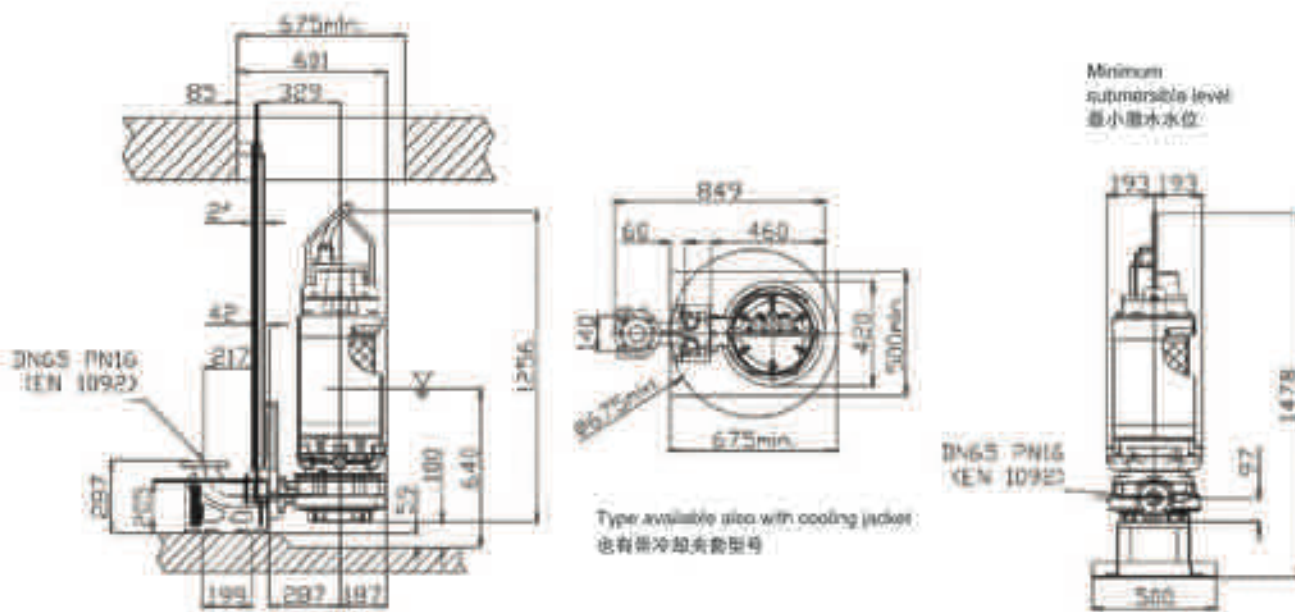
VQC / 铸铁污水泵

## VI、Performance Curve 性能曲线



电源	3ph 400/690V 50Hz	电机			ATEX 认证号			
每分钟转速	2850	额定功率 (kW)	额定电流 (A)	额定电压 (V)				
自由扬程 (mm)	10	1	7004885	G216R6T1-L10AA2	25.1	43.6	257	7006607
排量直径 (mm)	DN 85	2	7000803	G216R4T1-L10AA2	22.4	38.9	230	7009734
最大重量 (Kg)	380	3	7004888	G216R4T2-L10AA2	20	35.8	211	7009731

## VII、Dimensions 尺寸(mm)



## SUBMERGED SEWAGE PUMP VQ SERIES

SUBMERGED  
PUMPS SEWAGE  
VQ

铸铁T型叶轮



## I、Application 应用

The submersible multichannel "high performance" pumps with self-cleaning blade profile can be used in almost any application; they are mainly used for the pumping of domestic effluent containing solids and fibrous materials, process water, civil and industrial sludge/waste water pumps in general.

自洁式叶型“高效”多通道潜水泵几乎可以用于各种用途；该类型泵主要用于输送含固体颗粒和纤维材料的污水、工艺水、生活和工业污泥、普通污水坑污水等。

## II、Construction Data 结构数据

Submersible motor pumps, robust in construction, watertight electric motor accommodated in compartment, connected, by shafts of reduced lengths, to the impellers situated at the pump outlet by the interposition of oil chamber between the hydraulic side and the electric motor.

潜水电机构造结实，电动马达室防水密封，由短轴连接到泵壳内的泵轮上，润滑油室位于泵壳的液室侧与电机之间。

## III、Materials 材料

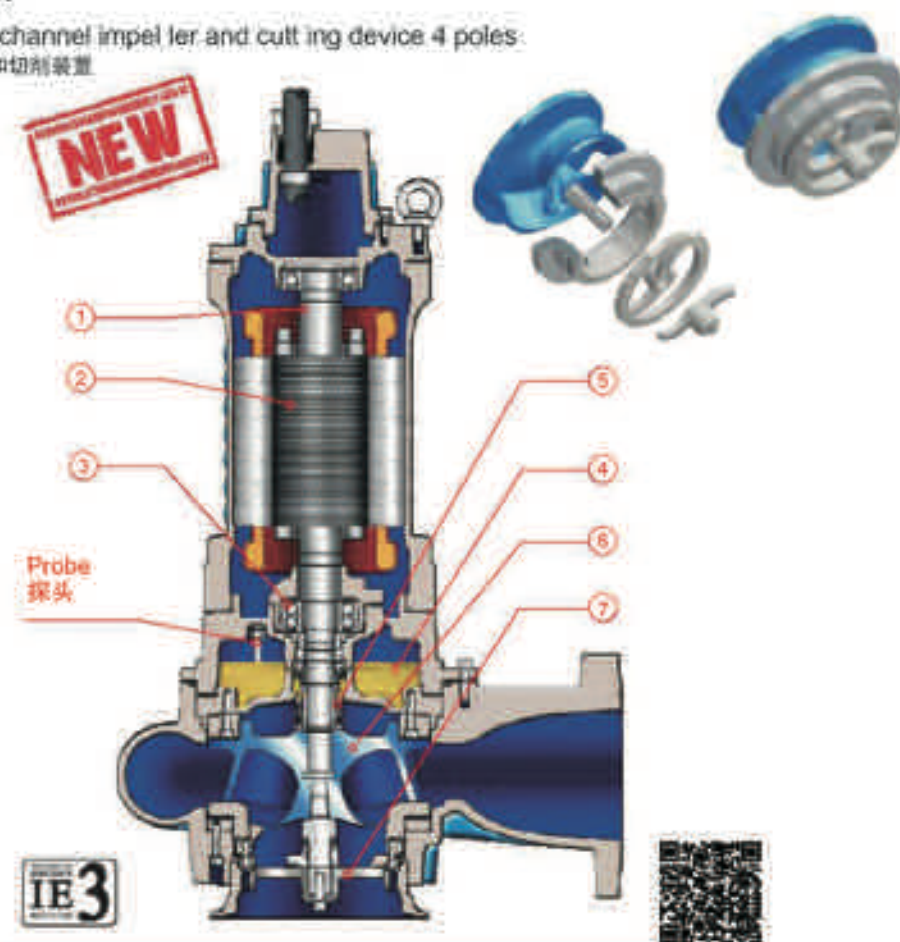
Motor Housing	电机外壳	Cast iron EN-GJL-250	铸铁 EN-GJL-250
Impeller	叶轮球型外壳	Cast-iron EN-GJL-250	铸铁 EN-GJL-250
Electric Cable	电缆	Neoprene H07RNLF	氯丁橡胶 H07RNLF
Shaft	轴	Stainless Steel AISI 420B/431	不锈钢 AISI 420B/431
O-Rings And Lip Seal	O 形环和唇形密封	Nitrile	丁腈橡胶
Bolt	螺栓	A2 class - AISI 304	A2 类 - AISI 304
Mechanical Seal	机械密封	Silicon Carbide / Silicon Carbide	碳化硅/碳化硅

## SUBMERGED SEWAGE PUMP

VQC / 铸铁污水泵

## IV、Features 特点

Submersible Pumps with multi-channel impeller and cutting device 4 poles.  
多通道潜水泵 / 4 极 (1450rpm) 带叶轮和切割装置



- 1 **Shafts** grinded down in ball bearings and mechanical seals seats, over-dimensioned respect to standard parameters of use.
- 2 **Motor** asynchronous three-phase squirrel cage type, insulation class H(180 ° C). Dry motor, cooled by surrounding liquid. Protection degree IP 68. The motor is projected for continuous or intermittent operation, with a maximum of 15 starts per hour at regular intervals. The motor is projected for working with 5% maximum voltage unbalance between phases.
- 3 **Ball bearings** overdimensioned, life lubricated, maintenance free.
- 4 **Oil chamber** oil lubricates and cools the seals and emulsifies eventual water infiltrations. This electric pump has two types of seals for a perfect insulation between the electric motor and the pumped liquid. Upper seal: lip seal NBR.
- 5 **Lower seal**: mechanical, silicon carbide.
- 6 **Impellers** are projected in order to guarantee and assure an high hydraulic efficiency and low power consumption.
- 7 **Grinder system**: Stainless Steel AISI 420 M microcasting type.

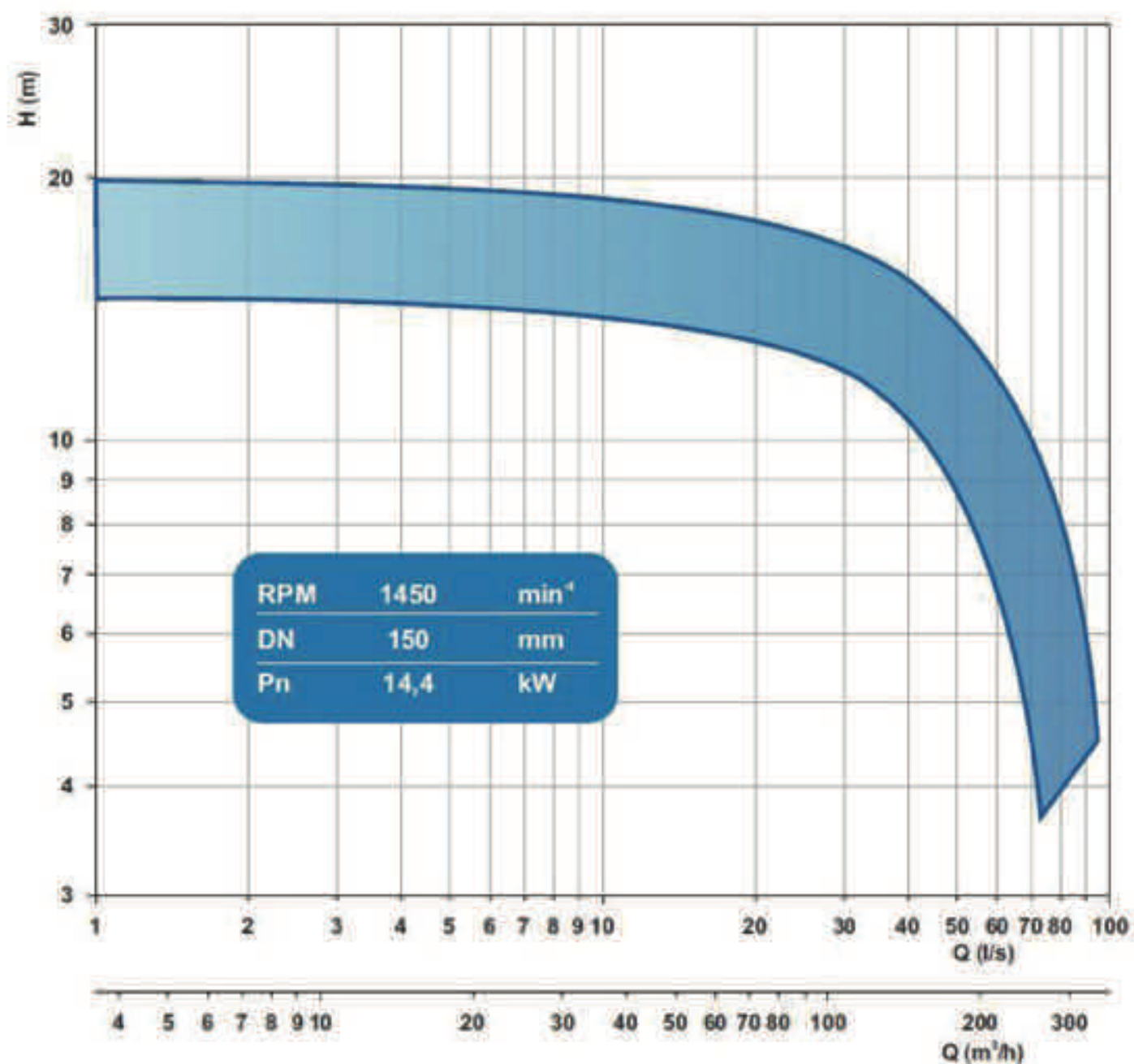
- 1 轴经球轴承压入，机械密封座，尺寸大于标准使用参数。
- 2 异步电机三相鼠笼型，绝缘等级 H(180 ° C)，干电机，由周围液体冷却，防护等级 IP 68。电机用于连续或间歇运行，按固定时间间隔每小时最多启动 15 次。电机用于相间电压不平衡最大为 5% 的工作环境。
- 3 大尺寸滚珠轴承，长效润滑，免维护。
- 4 润滑油室油润滑和冷却密封件并乳化水渗透。该电机有两种类型密封件，可在电动机和泵送的液体之间完美绝缘。上部密封：唇形 / 石墨。
- 5 底部密封：机械密封，碳化硅密封。
- 6 泵轮用于保证和确保高水力效率、低功耗。
- 7 粉碎系统微铸型不锈钢 AISI 420。

# SUBMERGED SEWAGE PUMP

VQC / 铸铁污水泵

V、Submersible Pumps with multi-channel impeller and cutting device 4 poles

多流道潜水泵/4极 (1450rpm)/带叶轮和切削装置



Range under completion  
待完成范围

## SUBMERGED SEWAGE PUMP VQ SERIES

# SUBMERGED PUMPS SEWAGE



铸铁P型叶轮



## I、Application 应用

Submersible electric pumps with grinder are used prevalently for the lifting of waters and mud coming from agricultural drainages.

带粉碎机械排水电动机主要用于用于农业灌溉中的水或泥水的泵送。

## II、Construction Data 结构数据

Submersible electric pumps, robust in construction, watertight electric motors accommodated in compartment, connected, by shafts of reduced lengths, to the impellers situated at the pump casing by the interposition of oil chamber between the hydraulic side and the electric motor.

潜水电泵构造结实，电动机采用防水密封，由短轴连接到泵壳内的泵轮上，润滑油室位于泵壳的液压侧与电机之间。

## III、Materials 材料

Motor Housing	电机壳壳	Cast Iron EN-GJL-250	铸铁 EN-GJL-250
Impeller	叶轮材料外壳	Stainless Steel AISI 420	不锈钢 AISI-420 系
Electric Cable	电缆	Neoprene H07RN/F	氯丁橡胶 H07RN/F
Shaft	轴	Stainless Steel AISI 420B/A31	不锈钢 AISI 420B/A31
O-Rings And Lip Seal	O 形环和唇形密封	Nitrile	丁腈橡胶
Bolt	螺栓	A2 class - AISI 304	A2 类 - AISI 304
Mechanical Seal	机械密封	Silicon Carbide / Silicon Carbide	碳化硅/碳化硅

VQ

D

V

S

M

H

C

T

P

XD

XV

XC

XT

BQ

BV

BC

Installation

Vx

VW

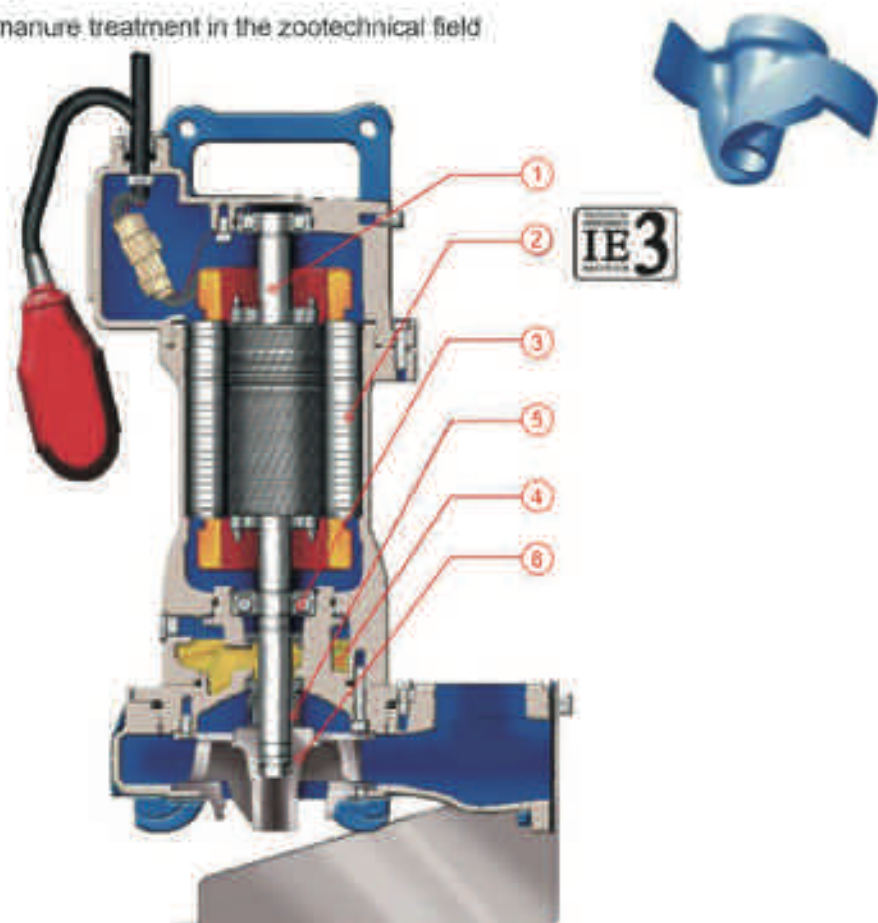
附录

# SUBMERGED SEWAGE PUMP

VQC / 铸铁污水泵

## IV、Features 特点

Submersible electric pumps for manure treatment in the zootechnical field  
潜水电动机/畜牧场粪便处理



- 1 Shafts grinded down in ball bearings and mechanical seals, over-dimensioned respect to standard parameters of use.
- 2 Motor asynchronous three-phase squirrel cage type, insulation class H(180 ° C). Dry motor, cooled by surrounding liquid. Protection degree IP 68. The motor is projected for continuous or intermittent operation, with a maximum of 15 starts per hour at regular intervals. The motor is projected for working with 5% maximum voltage unbalance between phases.
- 3 Ball bearings overdimensioned, life lubricated, maintenance free.
- 4 Oil chamber: oil lubricates and cools the seals and emulsifies eventual water infiltrations. This electric pump has two types of seals for a perfect insulation between the electric motor and the pumped liquid. Upper seal: lip seal NBR.
- 5 Lower seal: mechanical, silicon carbide.
- 6 Impellers are equipped of a special grinder system and are projected for waters and mud coming from agricultural drainages. Grinder system Stainless Steel.

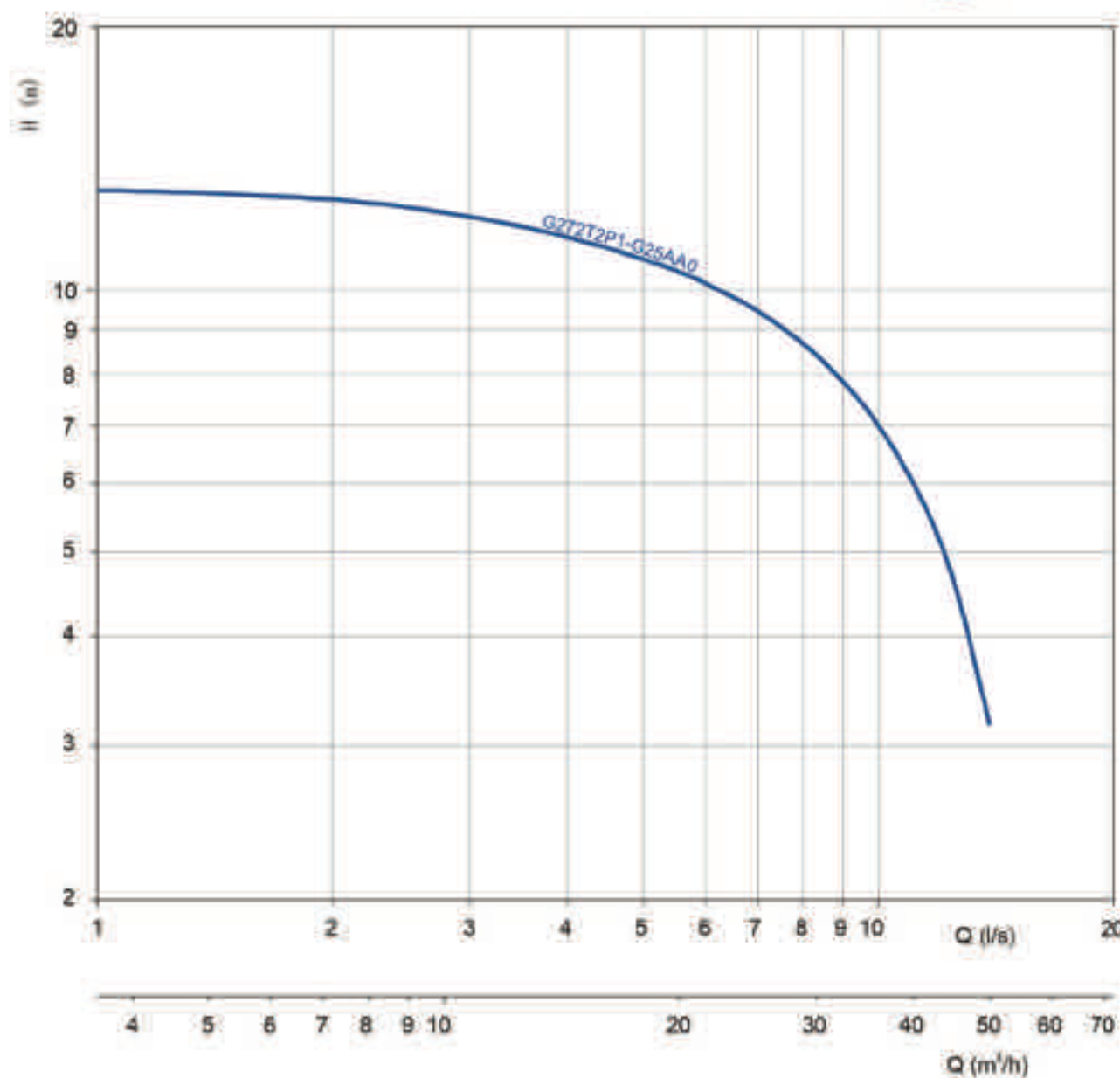
- 1 轴承球轴承压入，机械密封座，尺寸大于标准使用参数。
- 2 异步电机三相鼠笼型，绝缘等级H(180°C)，干电机，由周围液体冷却，防护等级IP 68。电机用于连续或间歇运行，按固定时间间隔每小时最多启动15次。电机用于相间电压不平衡最大为5%的工作环境。
- 3 大尺寸滚珠轴承，长效润滑，免维护。
- 4 润滑油室：润滑油和冷却密封件并驱除乳化水渗透。该电机有两种类型密封件，可在电动机和泵送的液体之间完美地绝缘。  
顶部密封：唇式密封（丁腈橡胶）。
- 5 底部密封：机械密封，碳化硅密封。
- 6 叶轮配有特殊粉碎系统，用于农业灌溉中的水或泥渣。粉碎系统，不锈钢。

# SUBMERGED SEWAGE PUMP

VQC / 铸铁污水泵

## V、Submersible electric pumps for manure treatment in the zootechnical field

潜水电动机/畜牧场粪便处理

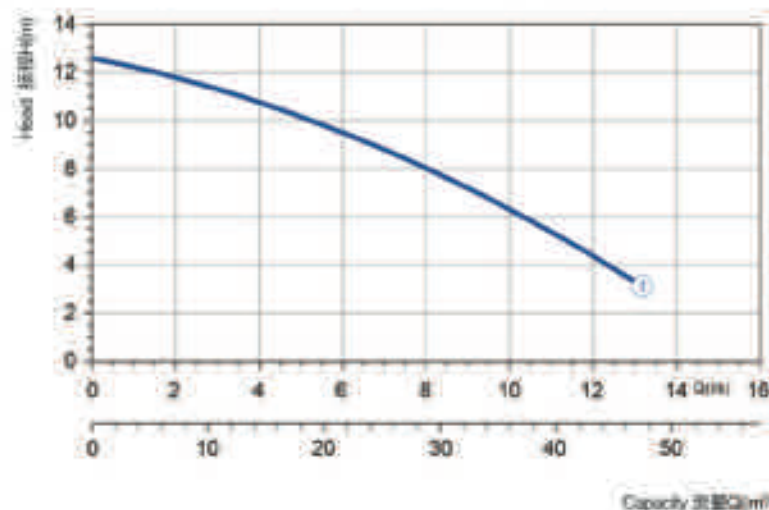


Technical data sheets are available on our web site [www.u-flo.com](http://www.u-flo.com)  
技术数据表可访问我们的网站获取：[www.u-flo.com](http://www.u-flo.com)

# SUBMERGED SEWAGE PUMP

VQC / 铸铁污水泵

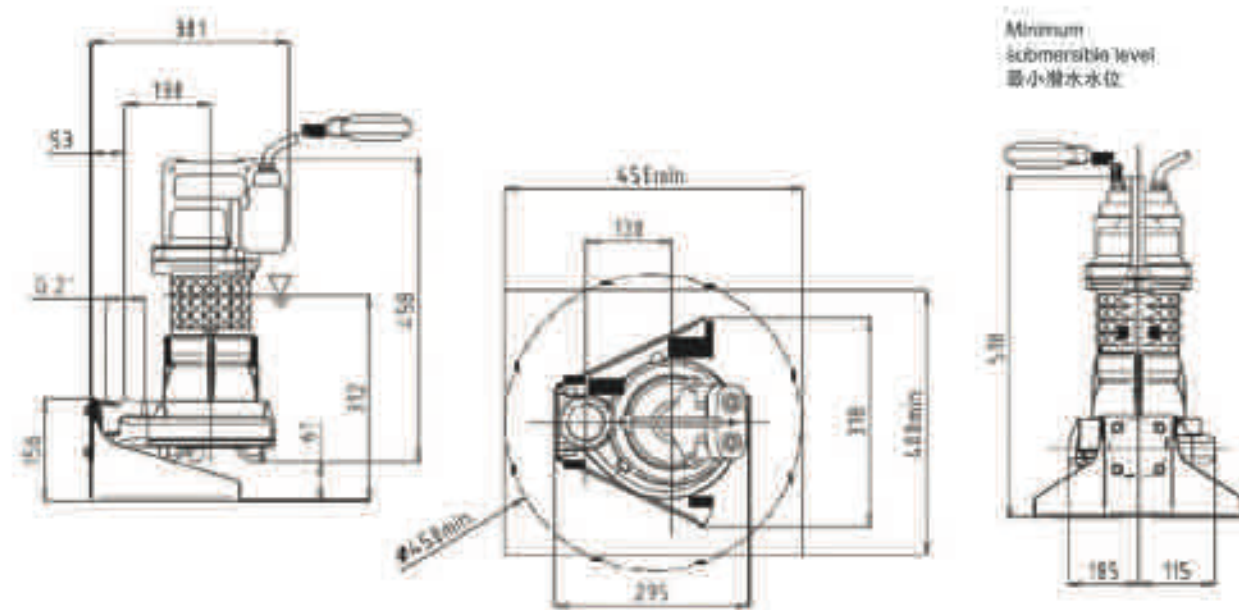
## VI、Performance Curve 性能曲线



曲线号	代码	型号	电压	流量			管口直径 (mm)	材料	重量(Kg)
				每小时流量	额定功率P2 (kW)	额定电流I1 (A)			
1	700118Q	G272M2P1-G25AD1	1ph 230V 50Hz	2650	1.9	11.4	25	2"	36

Pump single phase supplied with a control panel with capacitor and disjuncteur.  
单相水泵配有带电容器和开关的控制板

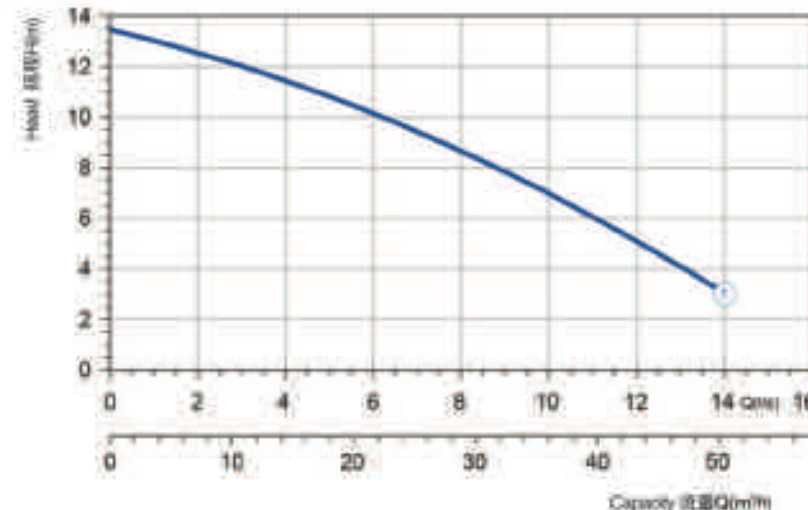
## VII、Dimensions 尺寸(mm)



# SUBMERGED SEWAGE PUMP

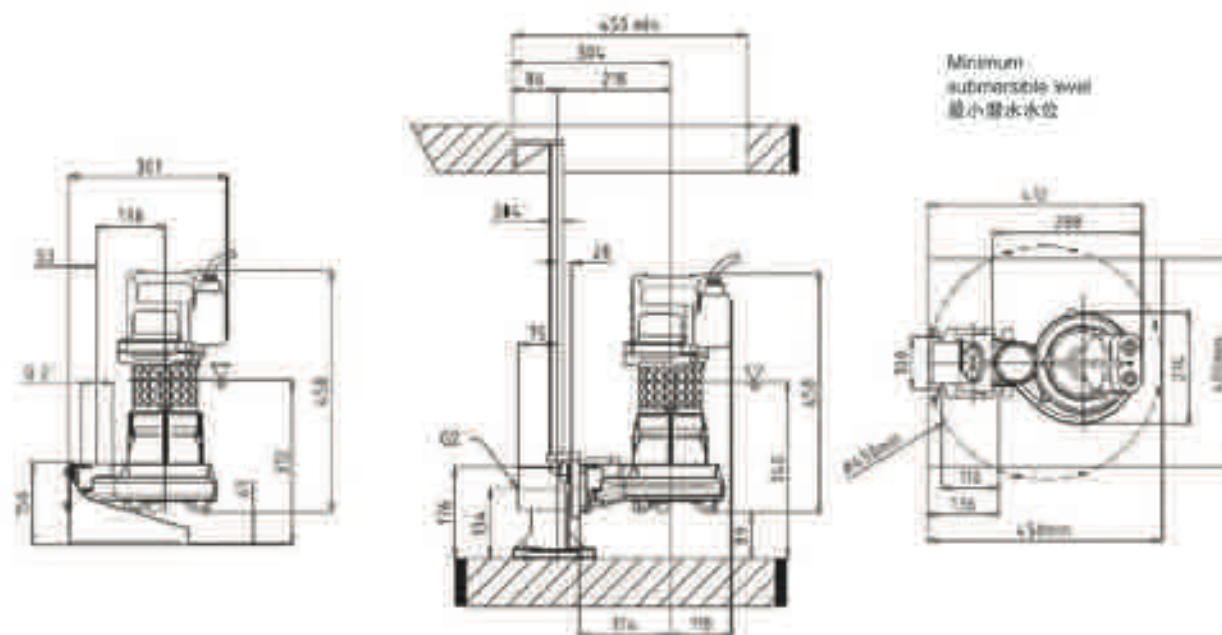
VQC / 铸铁污水泵

## VI、Performance Curve 性能曲线



曲线号	代码	型号	电压	流量			管口直径 (mm)	材料	重量(Kg)
				每小时流量	额定功率P2 (kW)	额定电流I1 (A)			
1	7003256	G272T2P1-G25AA0	3ph 400V 50Hz	2650	2.2	4.1	25	2"	36
1	7003265	G272T2P1-K25AA0	3ph 400V 50Hz	2650	2.2	4.1	25	50	36

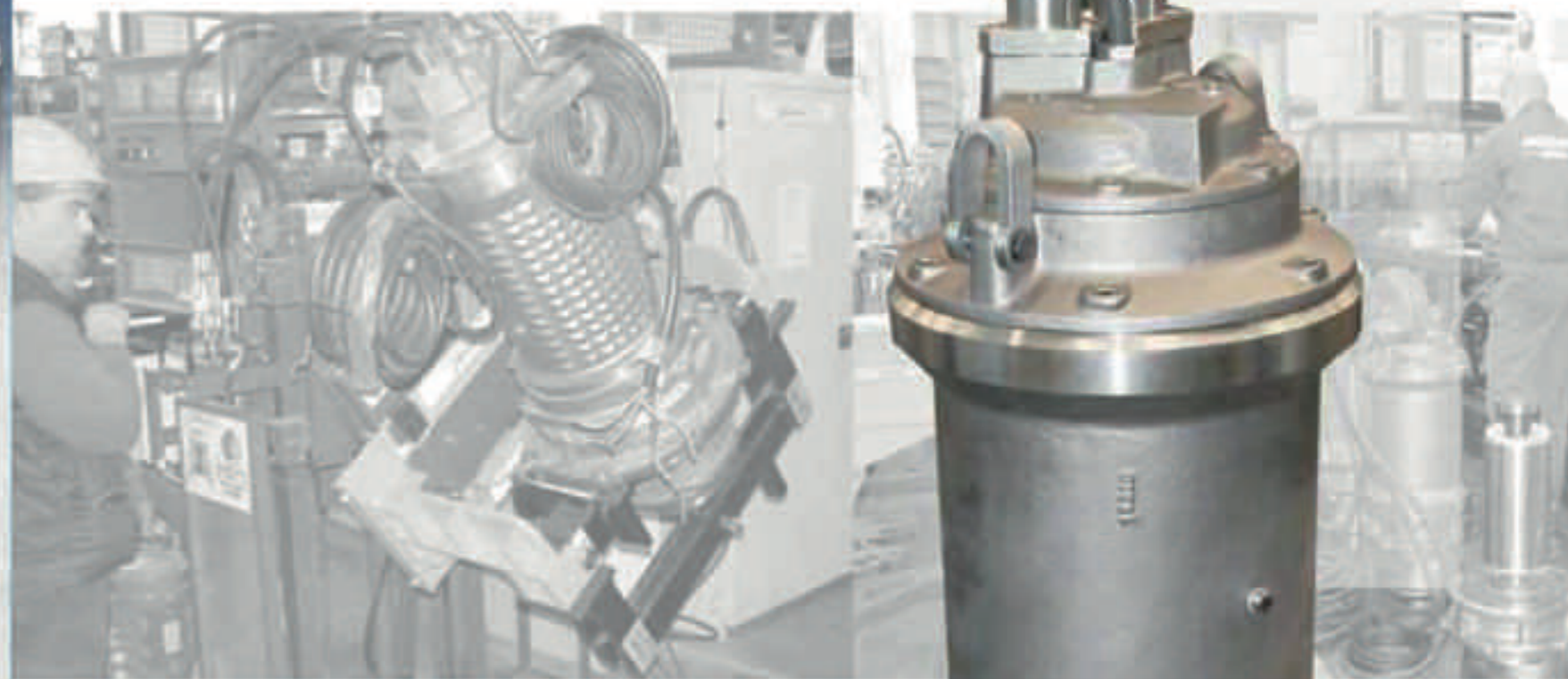
## VII、Dimensions 尺寸(mm)



Stainless steel AISI 316 – Duplex – Super Duplex – Hastelloy  
不锈钢 AISI 316 – 双相合金 – 超级双相合金 – 哈氏合金



The standard st. Steel AISI 316 range goes from 0,8 kW to 75kW.  
We can also realize pumps in special alloys (Duplex, Hastelloy) under the client's require.  
标准不锈钢 AISI 316; 范围包括 0.8 kW 至 75kW。  
如客户要求, 我们还可以生产特殊合金 (双相合金, 哈氏合金) 泵。



## SUBMERGED SEWAGE PUMP VQ SERIES

SUBMERGED  
PUMPS SEWAGE  
VQ

不锈钢XD型叶轮



## I、Application 应用

Submersible electric pumps in stainless steel AISI 316 are used prevalently for the lifting of aggressive and corrosive liquids, in particular for draining away of waste waters originating from chemical industries.

不锈钢 AISI 316 潜水电泵广泛应用于腐蚀性和腐蚀性液体泵送。尤其适用于化工厂产生的废水排放。

## II、Construction Data 结构数据

Submersible electric pumps, robust in construction, watertight electric motors accommodated in compartment, connected, by shafts of reduced lengths, to the impellers situated at the pump outlet by the interposition of oil chamber between the hydraulic side and the electric motor.

潜水电泵构造结实。电动机室防水密封，由短轴连接到泵壳内的泵轮上。润滑油室位于泵壳的液泵侧与电机之间。

## III、Materials 材料

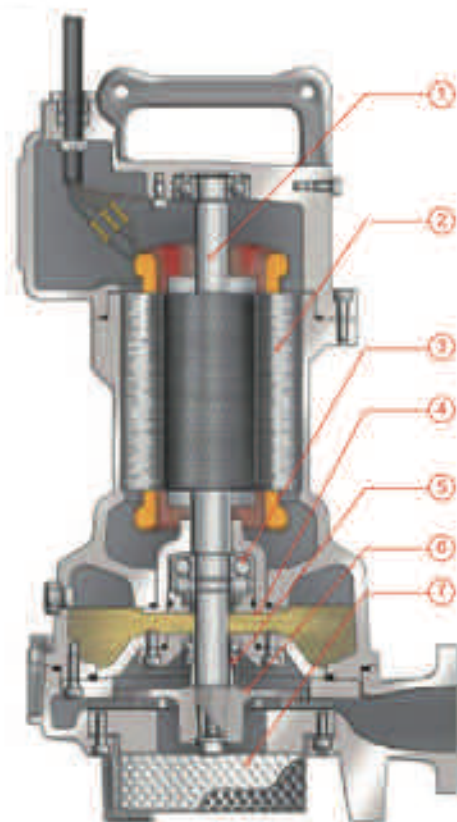
Motor Housing	电机外壳	Stainless Steel AISI 316/316L	不锈钢 AISI 316L
Impeller	叶轮球型外壳	Stainless Steel AISI 316/316L	不锈钢 AISI 316/316L
Electric Cable	电缆	Neoprene H07RN-F	氯丁橡胶 H07RN-F
Shaft	轴	Stainless Steel AISI 316L	不锈钢 AISI 316L
O-Rings And Lip Seal	O 型环	Viton	氟化橡胶
Bolts	螺栓	A4 class - AISI 316	A4 类 - AISI 316
Mechanical Seal	机械密封	Silicon Carbide / Silicon / Viton	碳化硅/碳化硅/氟化橡胶

## SUBMERGED SEWAGE PUMP

VQ VQN VQD / 不锈钢污水泵

## IV、Features 特点

Submersible electric pumps for drainage stainless steel AISI 316 2 poles  
排水潜水电泵 / 2 极 (2900rpm) / 不锈钢 AISI 316



- 1 Shafts** grinded down in ball bearings and mechanical seals seals, over-dimensioned respect to standard parameters of use.
  - 2 Motor** asynchronous three-phase squirrel cage type, insulation class H(180 ° C). Dry motor, cooled by surrounding liquid. Protection degree IP 68. The motor is projected for continuous or intermittent operation, with a maximum of 15 starts per hour at regular intervals. The motor is projected for working with 5% maximum voltage unbalance between phases.
  - 3 Ball bearings** overdimensioned, life lubricated, maintenance free.
  - 4 Oil chamber** oil lubricates and cools the seals and emulsifies eventual water infiltrations. This electric pump has two types of seals for a perfect insulation between the electric motor and the pumped liquid. Upper seal: lip seal NBR.
  - 5 Lower seal:** mechanical, Silicon Carbide / Silicon Carbide / Viton.
  - 6 Impellers** are projected in order to guarantee and assure an high hydraulic efficiency and low power consumption.
  - 7 The screen protection** is typical of this type of pump. It is put in the suction side in order to prevent clogging of hydraulic parts during functioning.
- 1 轴**球轴承压入，机械密封座，尺寸大于标准使用参数。
  - 2 异步电机**三相鼠笼型，绝缘等级 H(180 ° C)，干电机，由周围液体冷却，防护等级 IP 68，电机用于连续或间歇运行，按固定时间间隔每小时最多启动 15 次。电机用于相间电压不平衡最大为 5% 的工作环境。
  - 3 大尺寸滚珠轴承**，长效润滑，免维护。
  - 4 润滑油室**油润滑和冷却密封件并防止乳化水渗透。该泵有两种类型密封件，可在电动机和泵送的液体之间完美绝缘。顶部密封：唇式密封（丁腈橡胶）。
  - 5 底部密封：**机械密封，碳化硅/碳化硅/氟化橡胶密封。
  - 6 泵轮**用于保证和确保高水力效率、低功耗。
  - 7 屏幕保护**是这种类型泵的典型配置。置于吸入侧，防止在运行过程中堵塞高压件。

VQ

D

V

S

M

H

C

T

P

XD

XV

XC

XT

BQ

BV

BC

Installation

Vx

VW

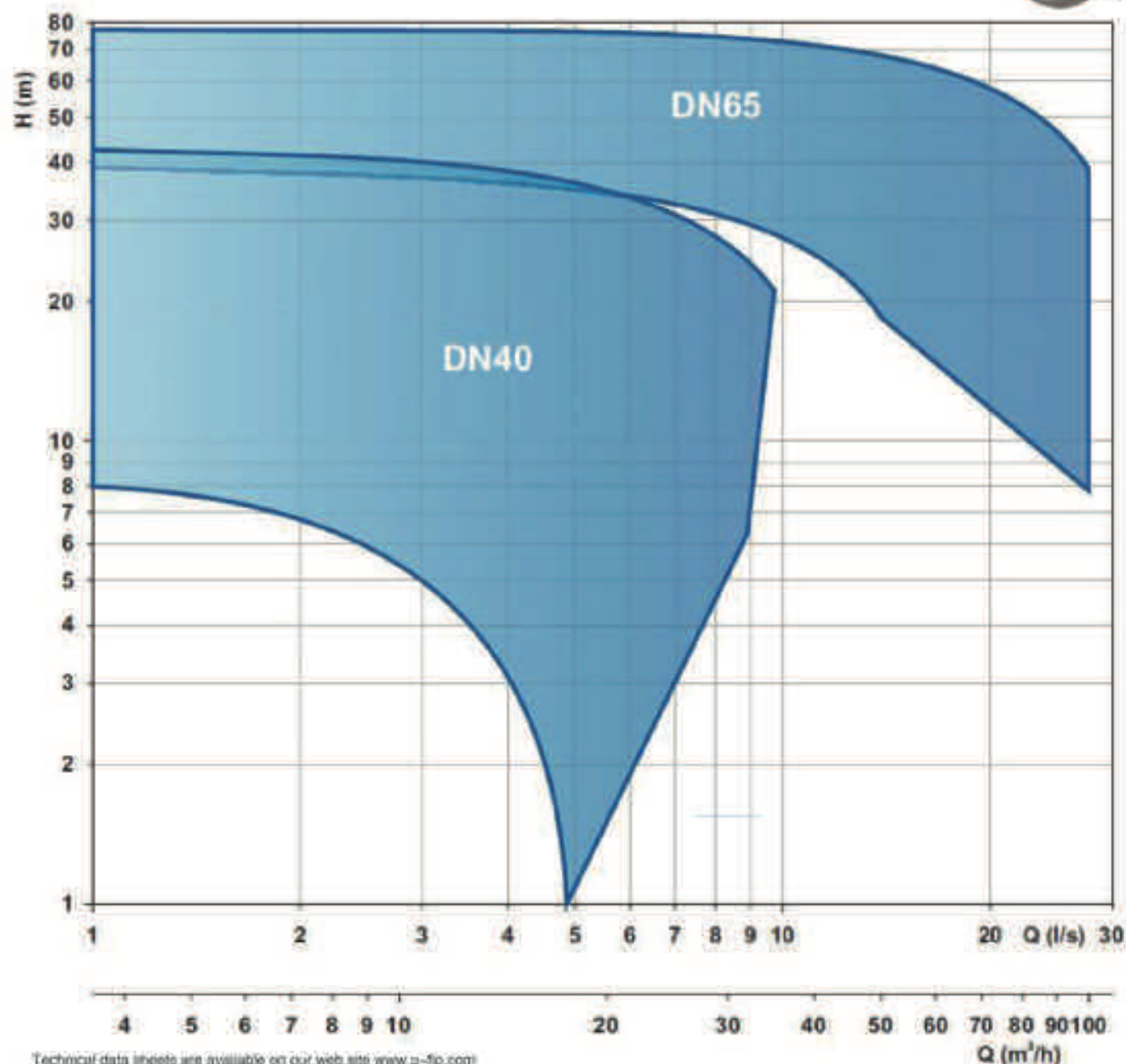
附录

# SUBMERGED SEWAGE PUMP

VQ VQN VQD / 不锈钢污水泵

V、Submersible electric pumps for drainage stainless steel AISI 316 2 poles

排水潜水电泵/2极 (2900rpm) / 不锈钢 AISI 316

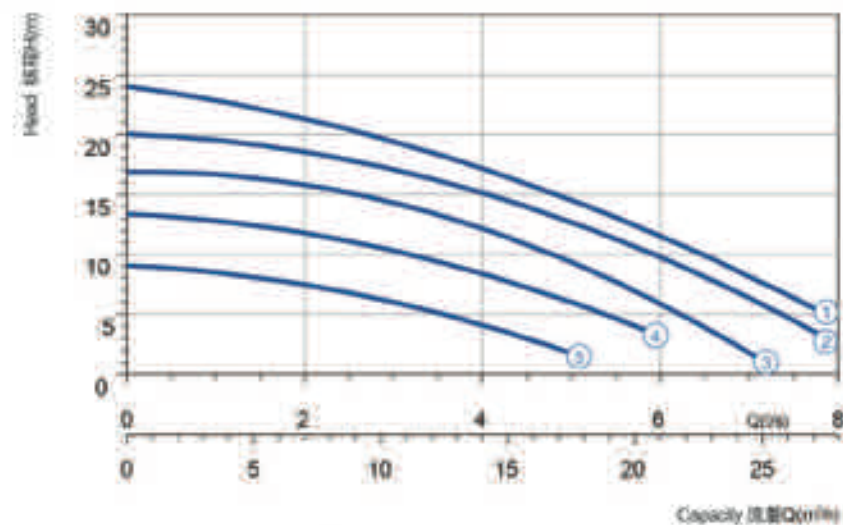


Technical data sheets are available on our web site [www.u-flo.com](http://www.u-flo.com)  
 技术数据表可访问我们的网站获取; [www.u-flo.com](http://www.u-flo.com)

# SUBMERGED SEWAGE PUMP

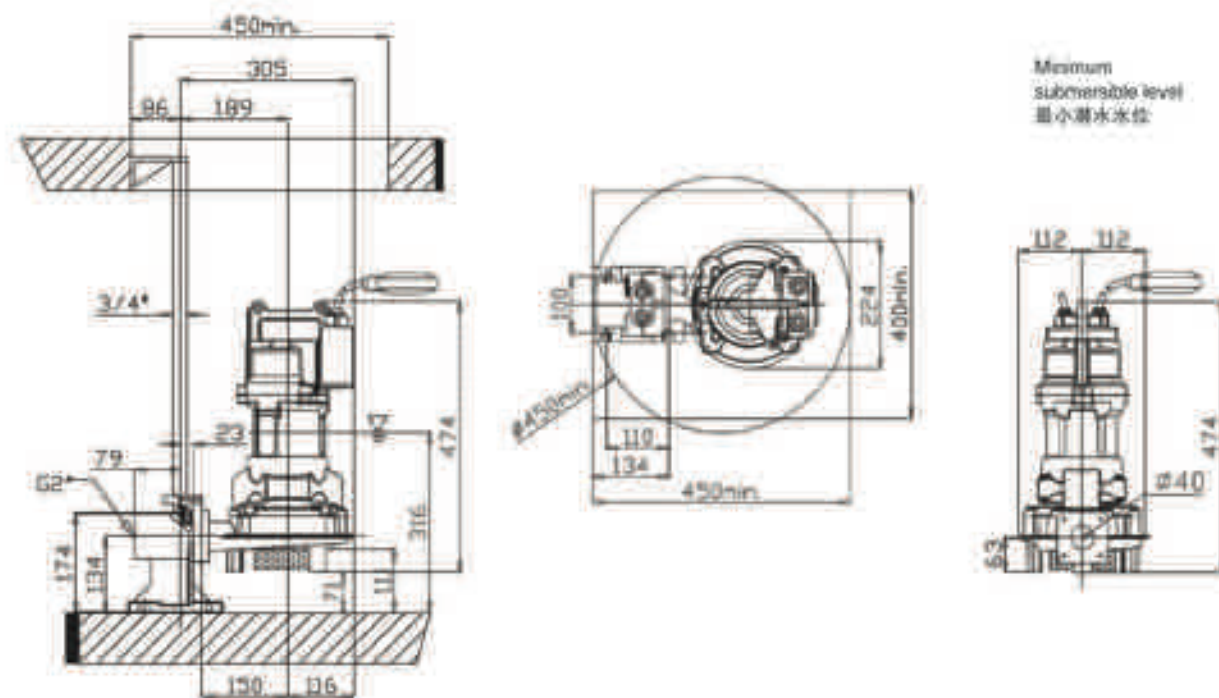
VQ VQN VQD / 不锈钢污水泵

VI、Performance Curve 性能曲线



序号	Type 230V 50Hz		系列号	代号	型号	电机			
	每分钟转速	2850				额定功率P2 (kW)	额定电流 (A)	启动电流 (A)	ATEX 认证料
1			1	7003643	X271M6D1-J6LB7	1.9	11.8	62.7	7003693
2			2	7003645	X271M6D2-J6LB7	1.5	9	33.3	7003694
3			3	7003647	X271M6D3-J6LB7	1.5	9	33.3	7003695
4			4	7003649	X271M6D4-J6LB7	1.1	6.6	24.4	7003696
5			5	7003651	X271M6D5-J6LB7	0.8	4.9	18.1	7003697

VII、Dimensions 尺寸(mm)



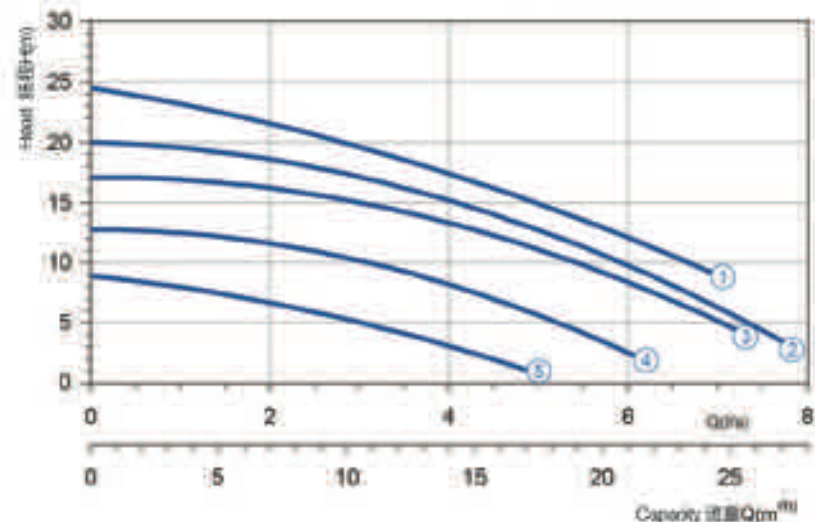
- VQ
- D
- V
- S
- M
- H
- C
- T
- P
- XD
- XV
- XG
- XT
- BQ
- BV
- BC
- Installation
- Vx
- VW
- 附录



# SUBMERGED SEWAGE PUMP

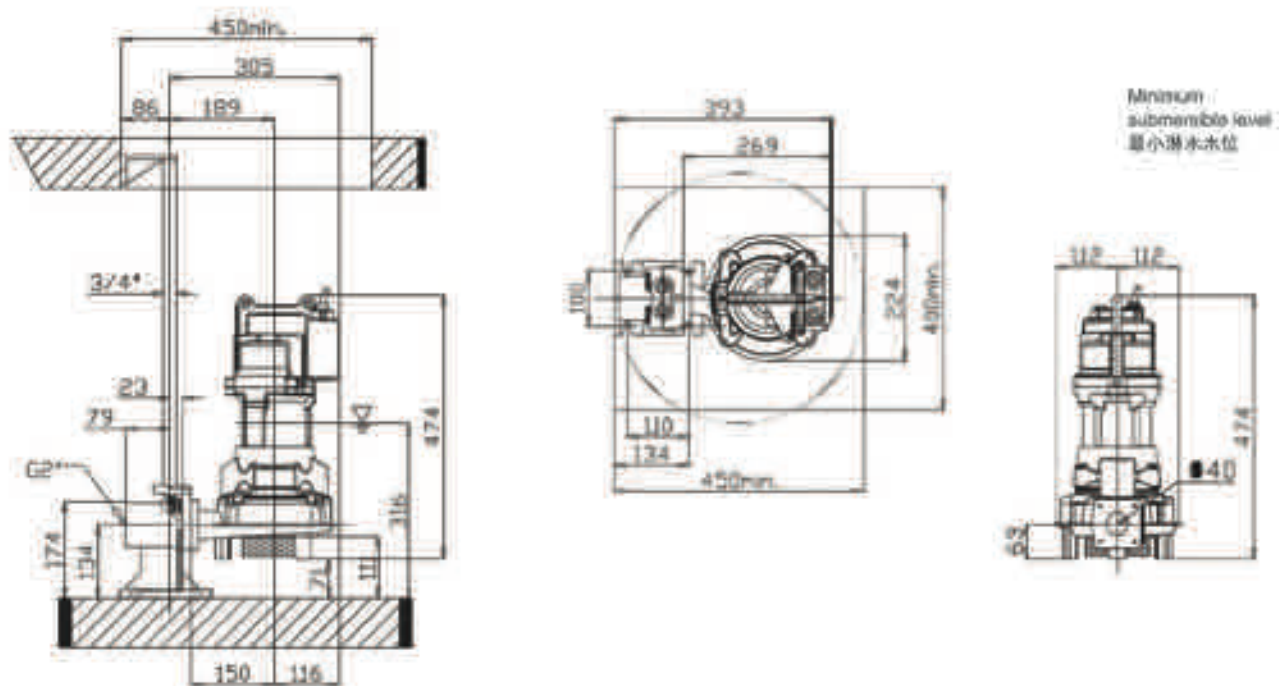
VQ VQN VQD / 不锈钢污水泵

## VI、Performance Curve 性能曲线



电压	3x/1 400V 50Hz	系列号	代码	型号	额定功率 (kW)	额定电压 (V)	额定流量 (m³/h)	ATEX 认证号
每分钟转速	2850	1	7003644	X271T6D1-J6LA4	2.4	4.5	26.6	7003670
自由通道 (mm)	8	2	7003640	X271T6D2-J6LA4	1.6	0.1	15.2	7003677
接管直径 (mm)	DN 40	3	7003648	X271T6D3-J6LA4	1.6	0.1	15.2	7003678
最大重量 (kg)	50	4	7003650	X271T6D4-J6LA4	1.6	0.1	15.2	7003680
		5	7003652	X271T6D5-J6LA4	1.4	2.7	13.2	7003681

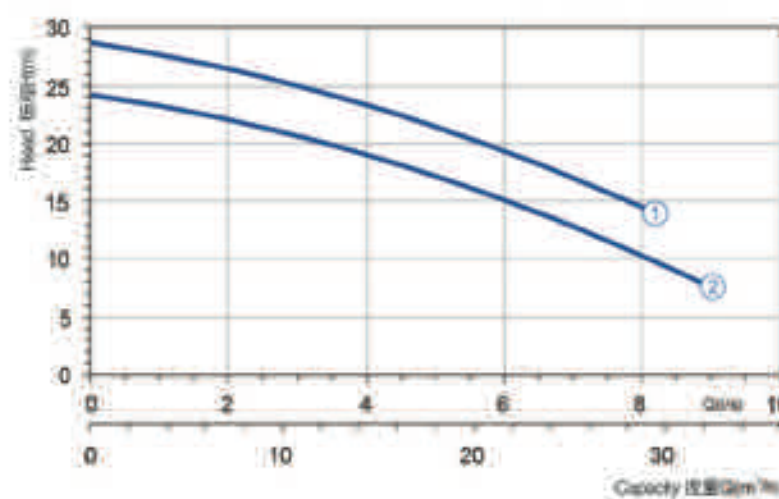
## VII、Dimensions 尺寸(mm)



# SUBMERGED SEWAGE PUMP

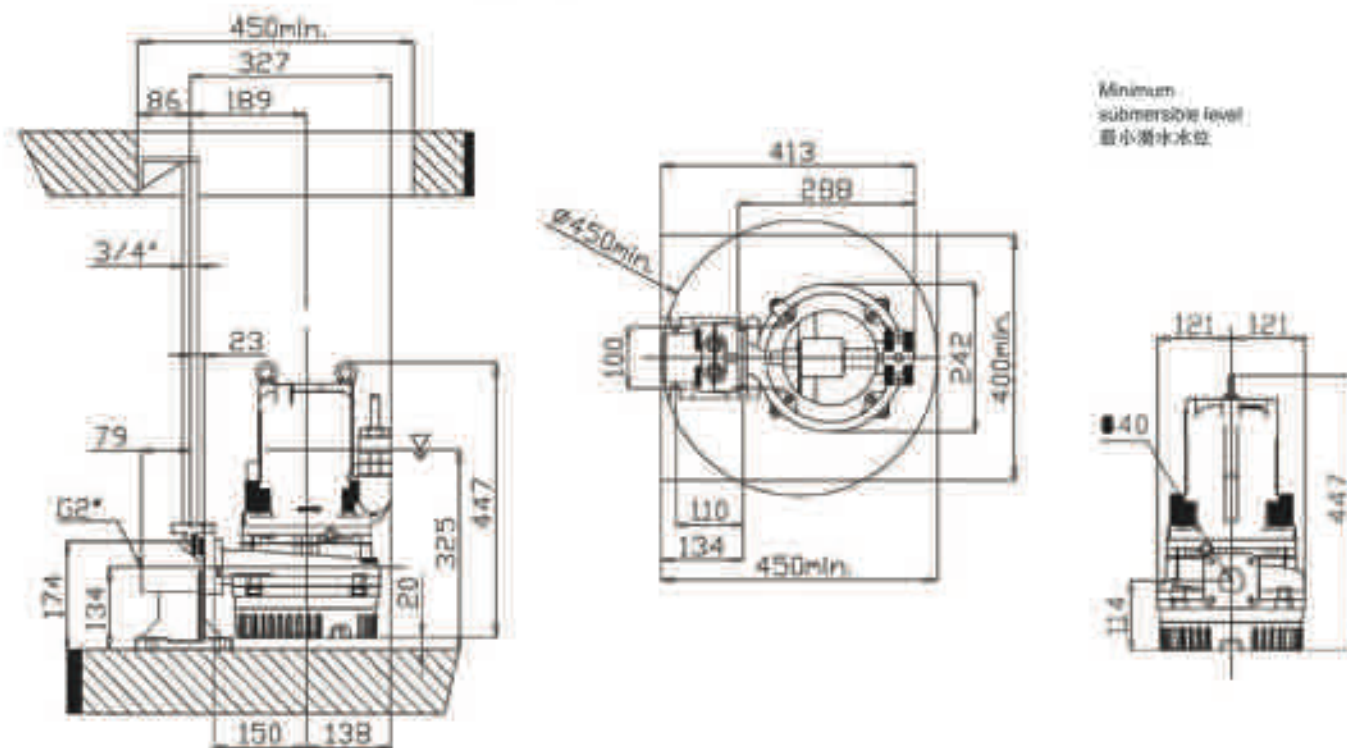
VQ VQN VQD / 不锈钢污水泵

## VI、Performance Curve 性能曲线



电压	3x/1 400V 50Hz	系列号	代码	型号	额定功率 (kW)	额定电压 (V)	额定流量 (m³/h)	ATEX 认证号
每分钟转速	2850	1	7003641	X209T6D1-J7LA4	3.6	6.6	38.9	7003673
自由通道 (mm)	7	2	7003642	X209T6D2-J7LA4	2.1	5.8	34.2	7003674
接管直径 (mm)	DN 40							
最大重量 (kg)	61							

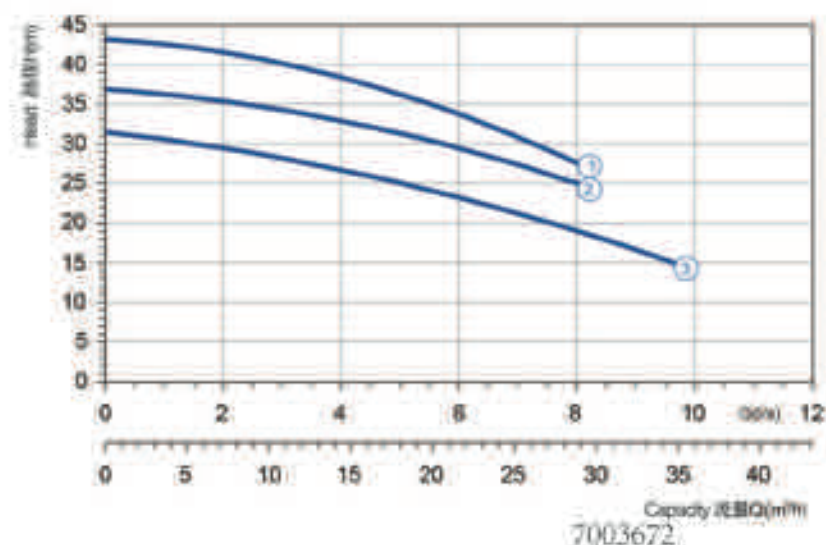
## VII、Dimensions 尺寸(mm)



# SUBMERGED SEWAGE PUMP

VQ VQN VQD / 不锈钢污水泵

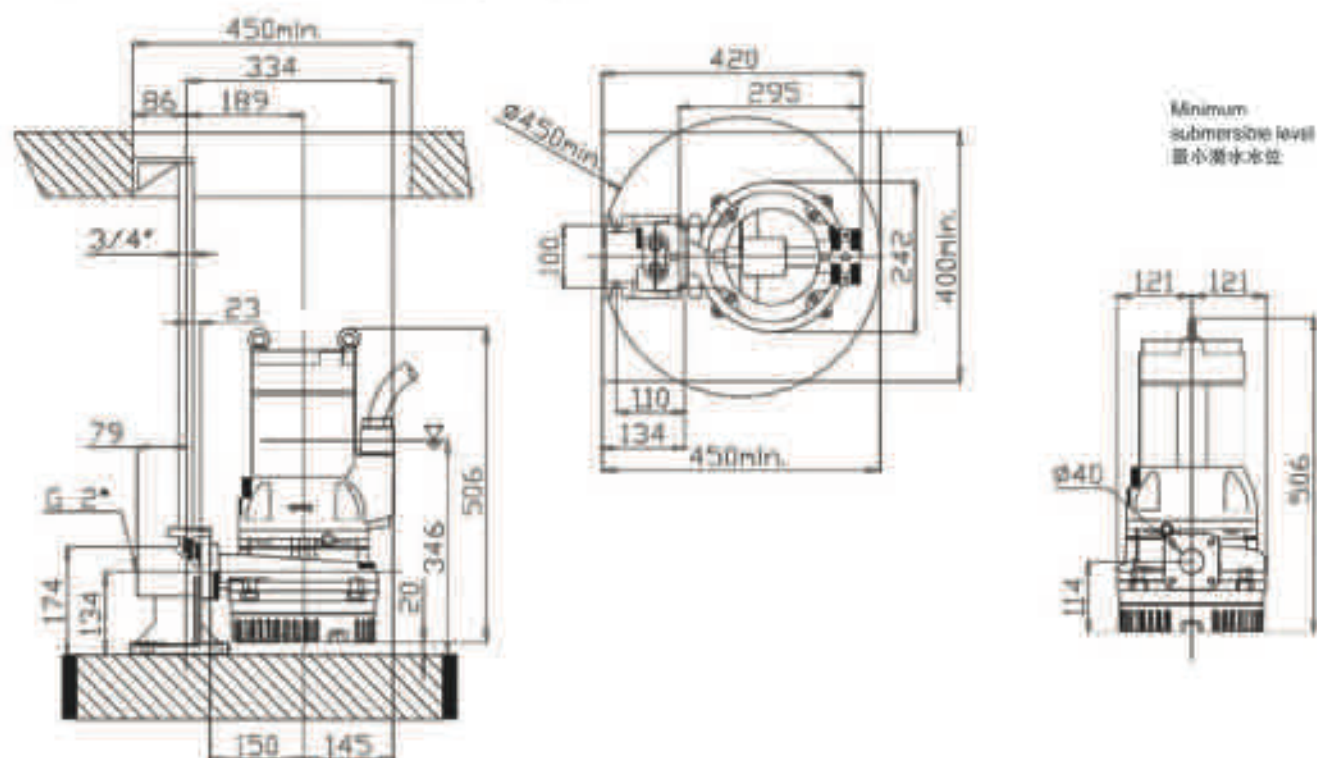
## VI、Performance Curve 性能曲线



电压	3φ 400V/50Hz
每分钟转速	2850
自由通道 (mm)	7
排管直径 (mm)	DN40
最大重量 (Kg)	75

系列	代码	型号	电机			ATEX 认证
			额定功率 (kW)	额定电流 (A)	最高电压 (V)	
1	7003637	X210R6D1-J7LA5	6	10.9	64.3	7003669
2	7003639	X210R6D3-J7LA5	5	9.1	53.7	7003671
3	7003640	X210R6D4-J7LA5	4.2	7.7	46.4	7003672

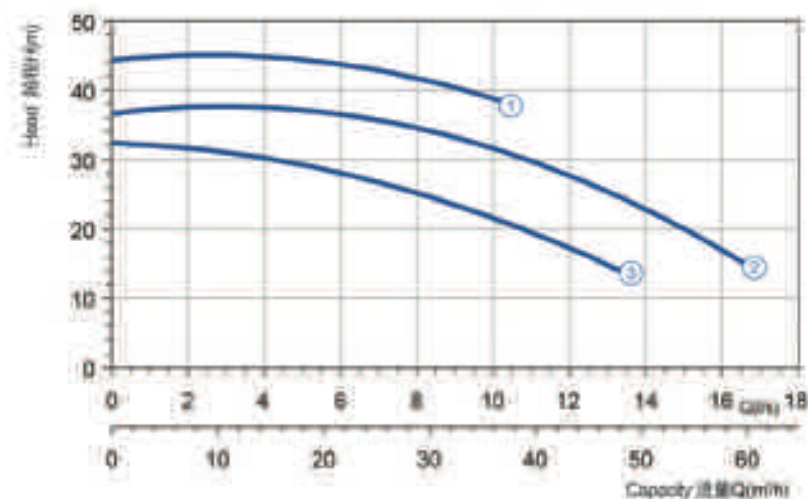
## VII、Dimensions 尺寸(mm)



# SUBMERGED SEWAGE PUMP

VQ VQN VQD / 不锈钢污水泵

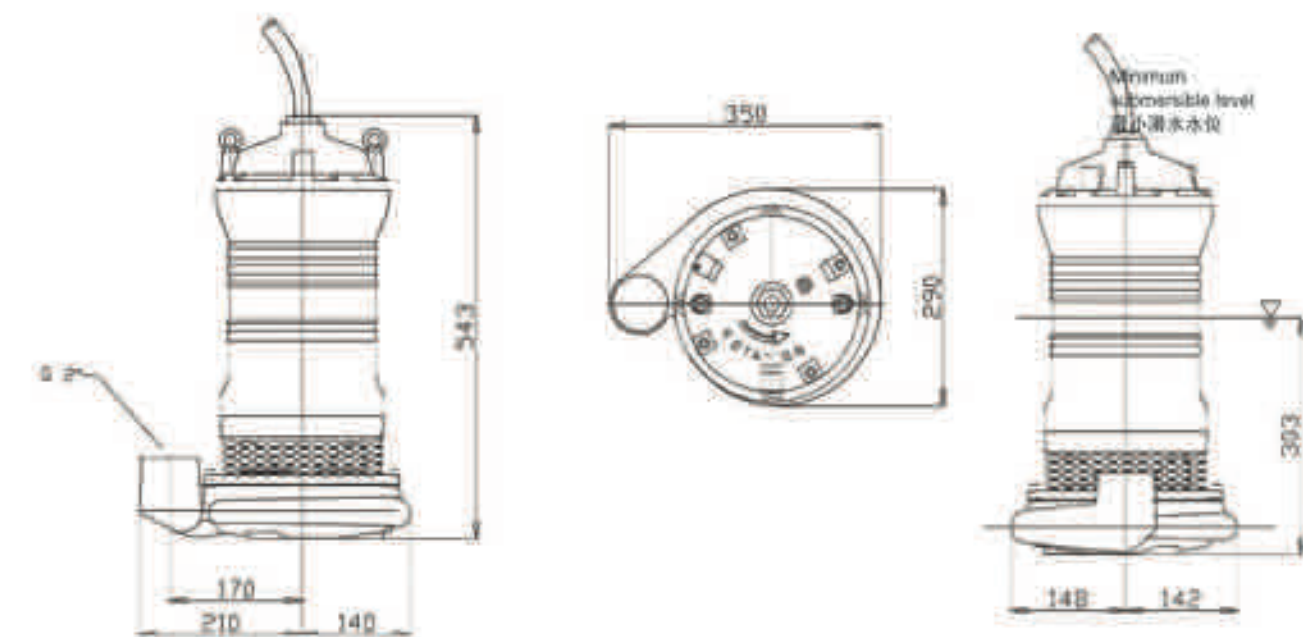
## VI、Performance Curve 性能曲线



电压	3φ 400V/50Hz
每分钟转速	2850
自由通道 (mm)	8
排管直径 (mm)	2"
最大重量 (Kg)	92

系列	代码	型号	电机			ATEX 认证
			额定功率 (kW)	额定电流 (A)	最高电压 (V)	
1	7000262	X211R7D1-G8LA5	8.2	14.7	86.7	-
2	7000599	X211R7D2-G8LA5	7.5	13.5	79.7	-
3	7000781	X211R7D3-G8LA5	6	10.9	64.3	-

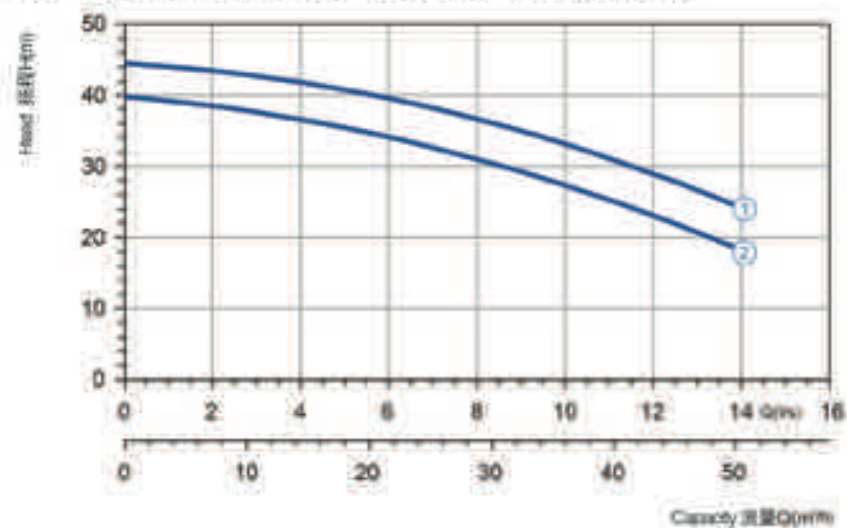
## VII、Dimensions 尺寸(mm)



# SUBMERGED SEWAGE PUMP

VQ VQN VQD / 不锈钢污水泵

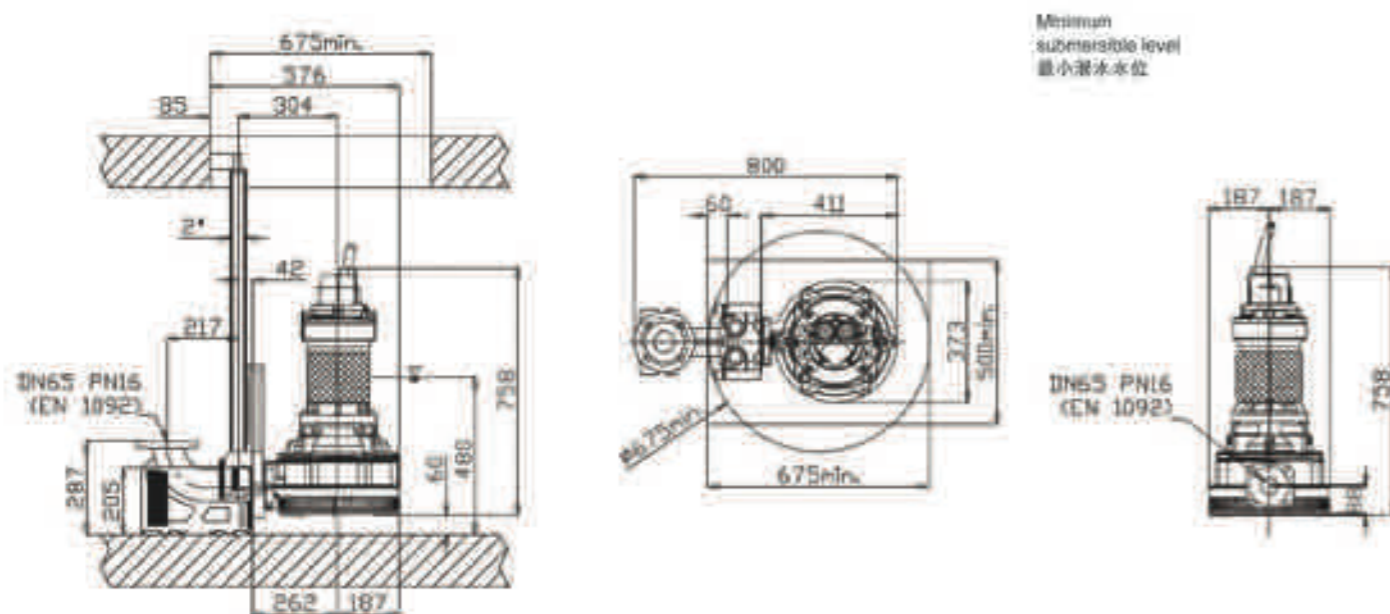
## VI、Performance Curve 性能曲线



电压	3ch-800/690V 50Hz
每分钟转速	2850
自由扬程 (mm)	8
排量直径 (mm)	DN 85
最大重量 (kg)	185

曲线/	代码	型号	电机			ATEX 认证号
			额定功率P2 (kW)	额定电流 I(A)	启动电流 I(A)	
1	7002638	X211R6D1-LBLA5	9	15.2	95.5	7006141
2	7002639	X211R6D2-LBLA5	7.5	13.5	79.7	7005305

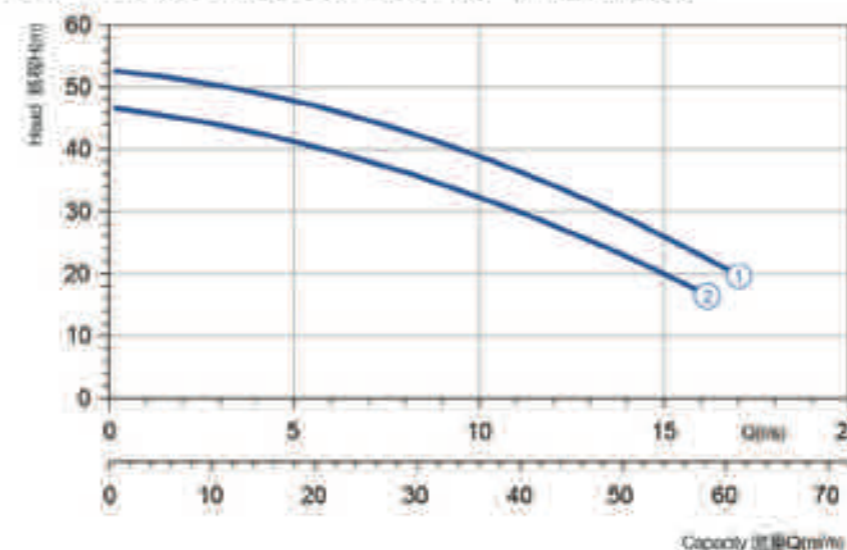
## VII、Dimensions 尺寸(mm)



# SUBMERGED SEWAGE PUMP

VQ VQN VQD / 不锈钢污水泵

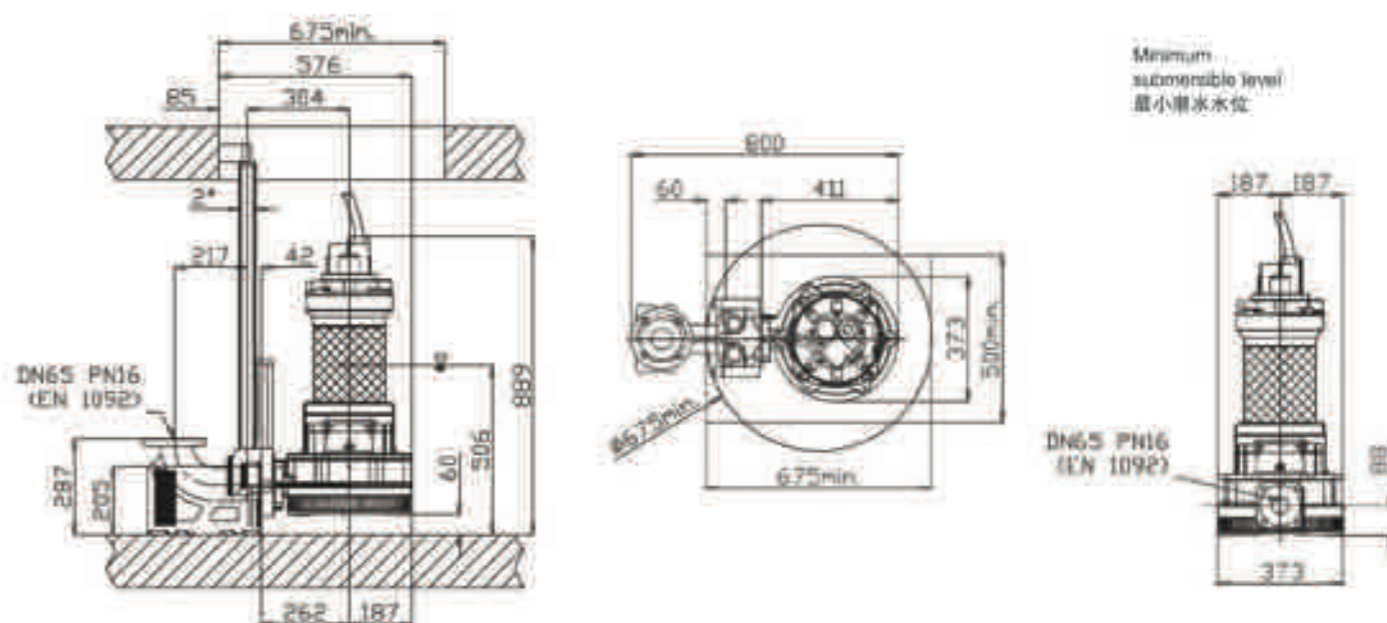
## VI、Performance Curve 性能曲线



电压	3ch-800/690V 50Hz
每分钟转速	2850
自由扬程 (mm)	8
排量直径 (mm)	DN 85
最大重量 (kg)	210

曲线/	代码	型号	电机			ATEX 认证号
			额定功率P2 (kW)	额定电流 I(A)	启动电流 I(A)	
1	7002788	X213R6D7-LBLA5	12	21.7	128	7006288
2	7002833	X213R6D8-LBLA5	10	18	106	7006052

## VII、Dimensions 尺寸(mm)

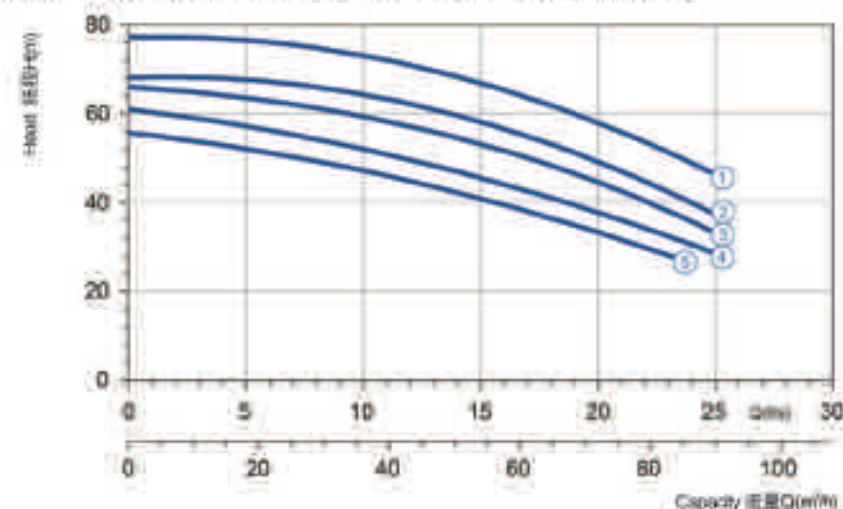


# SUBMERGED SEWAGE PUMP

VQ VQN VQD / 不锈钢污水泵

SUBMERGED SEWAGE PUMP VQ SERIES

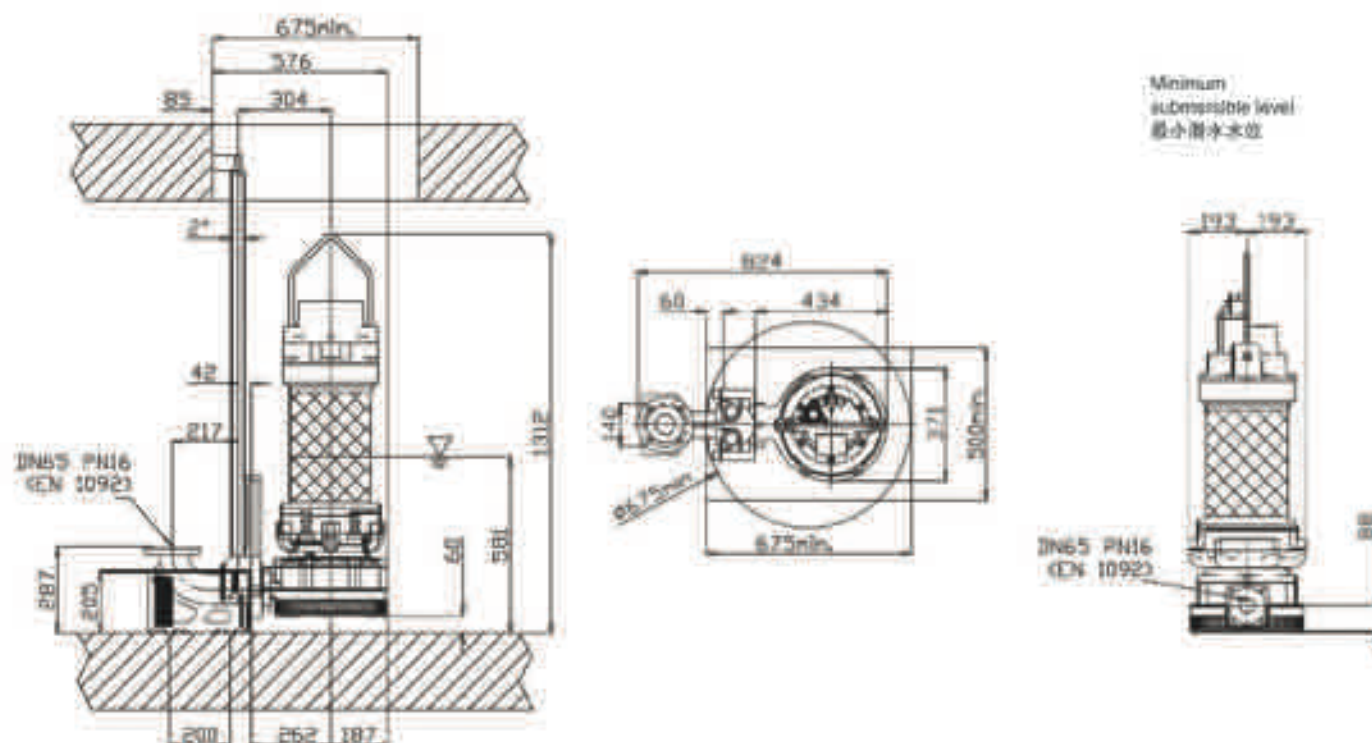
## VI、Performance Curve 性能曲线



电压	3相 400V/50Hz
每分钟转数	2850
自由扬程 (mm)	10
排管直径 (mm)	DN 65
最大重量 (Kg)	380

流量 (m³/h)	功率 (kW)	效率 (%)	ATX 认证
1	27	40.9	700778
2	22.4	38.9	700778
3	22.4	38.9	700778
4	20	35.8	700778
5	18	32.2	7007345

## VII、Dimensions 尺寸(mm)



# SUBMERGED PUMPS SEWAGE



不锈钢XV型叶轮

## I、Application 应用

Submersible electric pumps in stainless steel AISI 316 are used prevalently for the lifting of aggressive and corrosive liquids in particular for draining away of waste waters originating from chemical industries.

不锈钢 AISI 316 潜水电动泵广泛用于腐蚀性或腐蚀性液体泵送。尤其适用于化工厂产生的废水排放。

## II、Construction Data 结构数据

Submersible electric pumps, robust in construction, watertight electric motors accommodated in compartment, connected, by shafts of reduced length, to the impellers situated at the pump casing by the interposition of oil chamber between the hydraulic side and the electric motor.

潜水电动泵构造结实，电动机室防水密封，由短轴连接到泵壳内的泵轮上，润滑油室位于泵壳的液压侧与电机之间。

## III、Materials 材料

Motor Housing	电机外壳	Stainless Steel AISI 316L	不锈钢 AISI 316L
Impeller	叶轮球形外壳	Stainless Steel AISI 316L	不锈钢 AISI 316L
Electric Cable	电缆	Neoprene H07RN-F	氯丁橡胶 H07RN-F
Shaft	轴	Stainless Steel AISI 316L	不锈钢 AISI 316L
O-Rings and Lip Seal	O 形环和唇形密封	Viton	氟化橡胶
Bolt	螺栓	A4 class - AISI 316	A4 类 - AISI 316
Mechanical Seal	机械密封	Silicon Carbide / Silicon Nitride	碳化硅/氮化硅/氟化橡胶

VQ

D

V

S

M

H

C

T

P

XD

XV

XC

XT

BQ

BV

BC

Installation

Vx

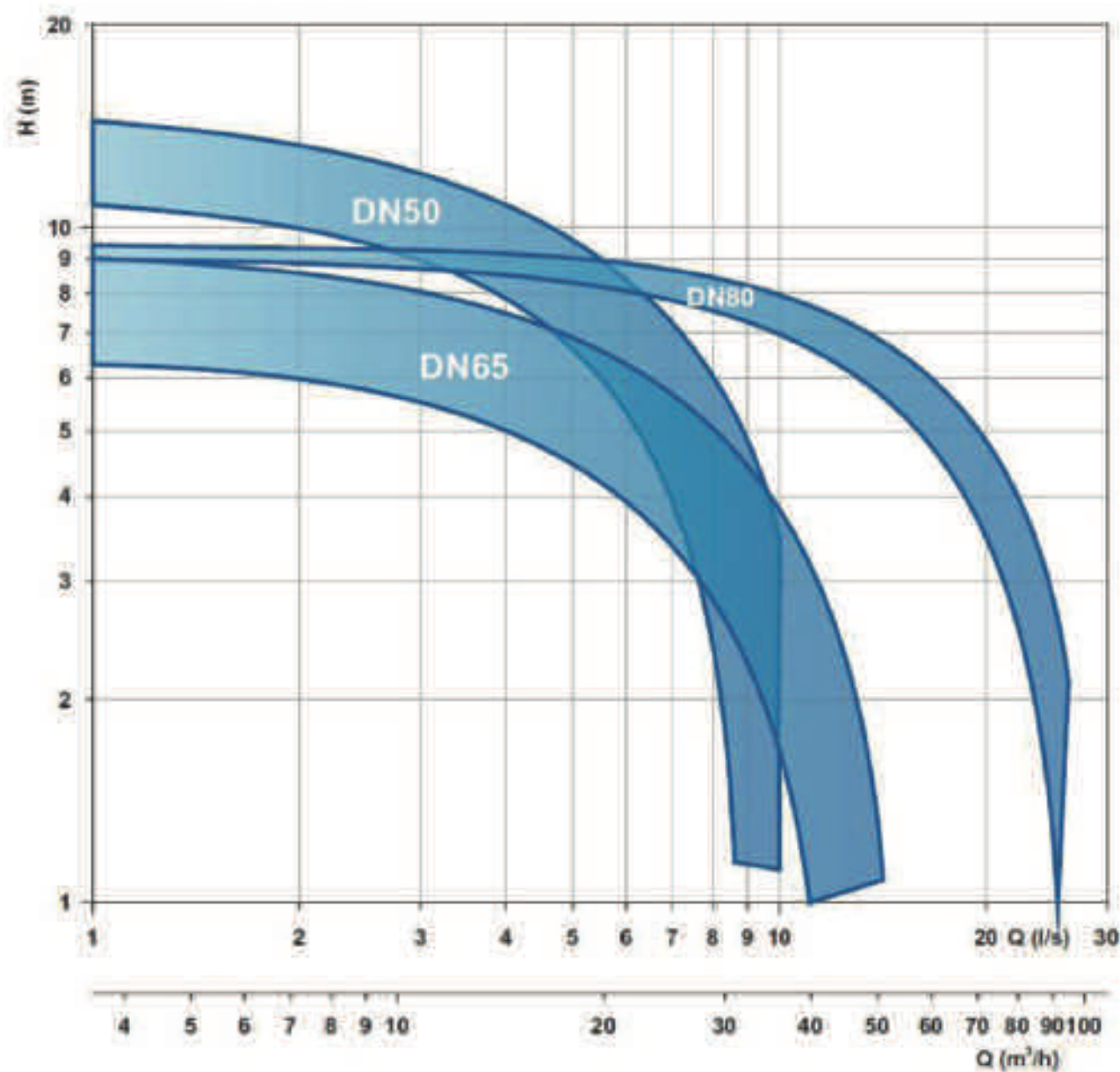
VW

附录

# SUBMERGED SEWAGE PUMP

VQ VQN VQD / 不锈钢污水泵

V、Submersible electric pumps vortex in stainless steel AISI 316 2/4 poles  
 涡流潜水电泵/2-4极 (2900rpm-1450rpm)  
 /不锈钢 AISI 316

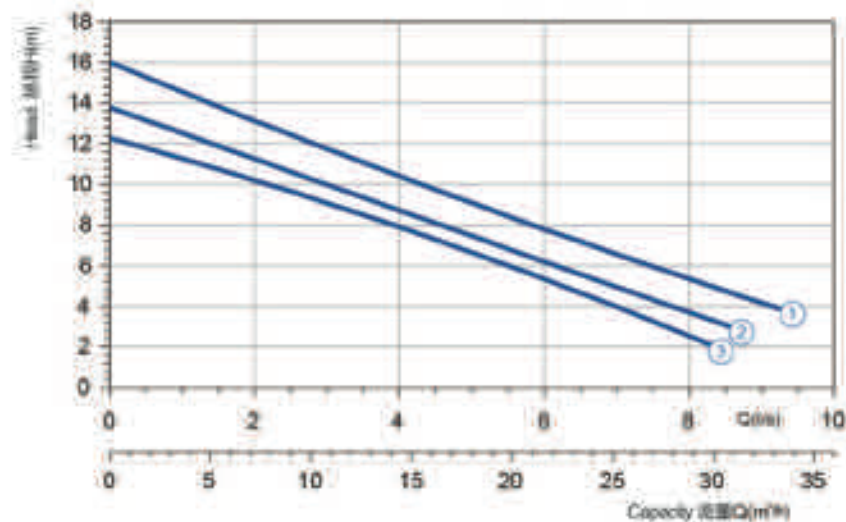


Technical data sheets are available on our web site [www.u-flo.com](http://www.u-flo.com)  
 技术数据表可访问我们的网站获取: [www.u-flo.com](http://www.u-flo.com)

# SUBMERGED SEWAGE PUMP

VQ VQN VQD / 不锈钢污水泵

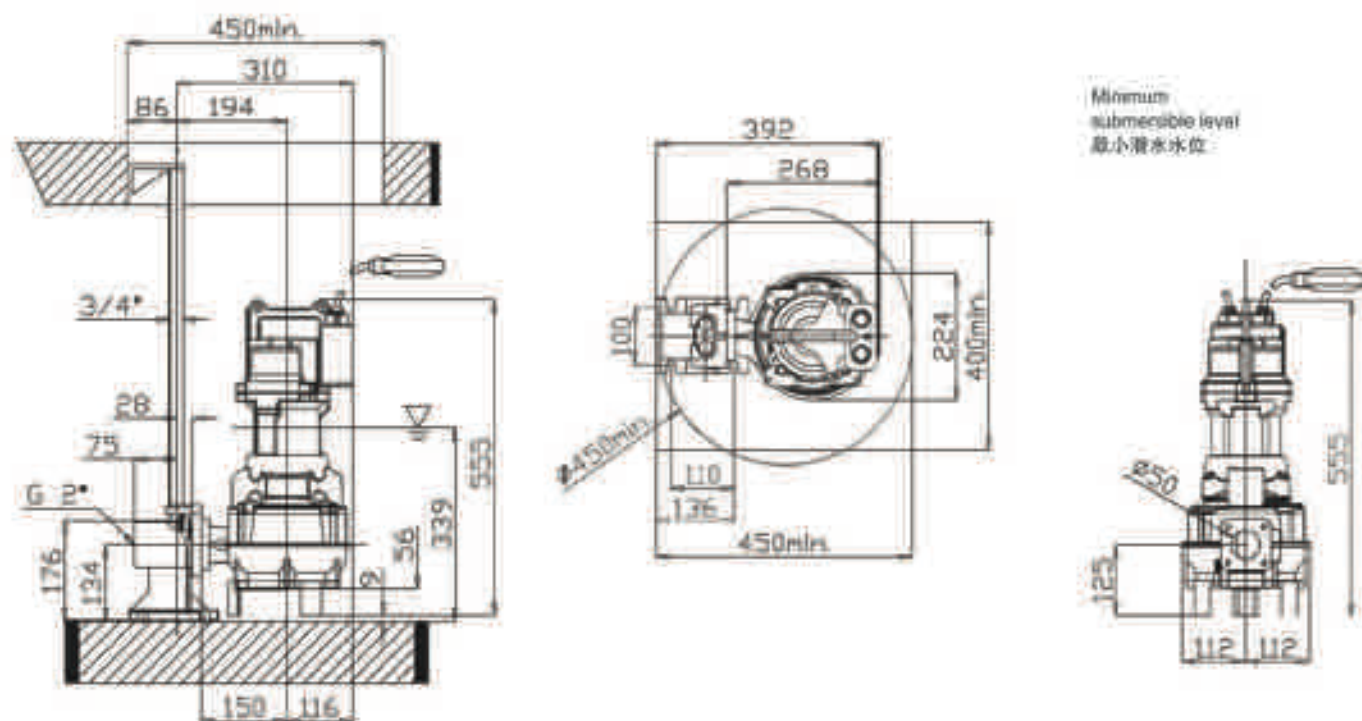
V、Performance Curve 性能曲线



电压	3x~400V 50Hz
每分钟转数	2850
自由扬程 (mm)	50
排量直径 (mm)	DN 50
最大重量 (Kg)	40

电机	AT&T 认证号
1 7000455 X271T3V1-K50LA4 2.4 4.5 26.8	7000874
2 7000649 X271T3V2-K50LA4 1.8 3.5 17.2	7000880
3 7000850 X271T3V3-K50LA4 1.8 3.5 17.2	7000887

VI、Dimensions 尺寸(mm)

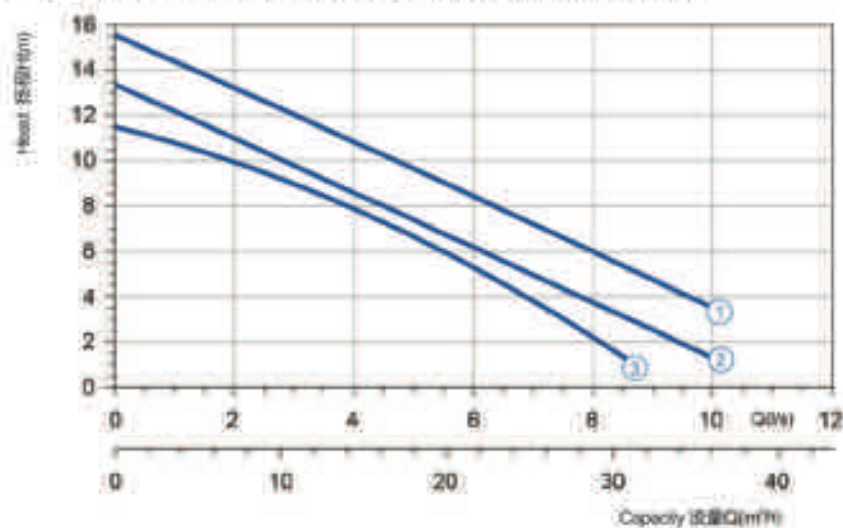


- VQ
- D
- V
- S
- M
- H
- C
- T
- P
- XD
- XV
- XC
- XT
- BQ
- BV
- BC
- Installation
- Vx
- VW
- 附录

# SUBMERGED SEWAGE PUMP

VQ VQN VQD / 不锈钢污水泵

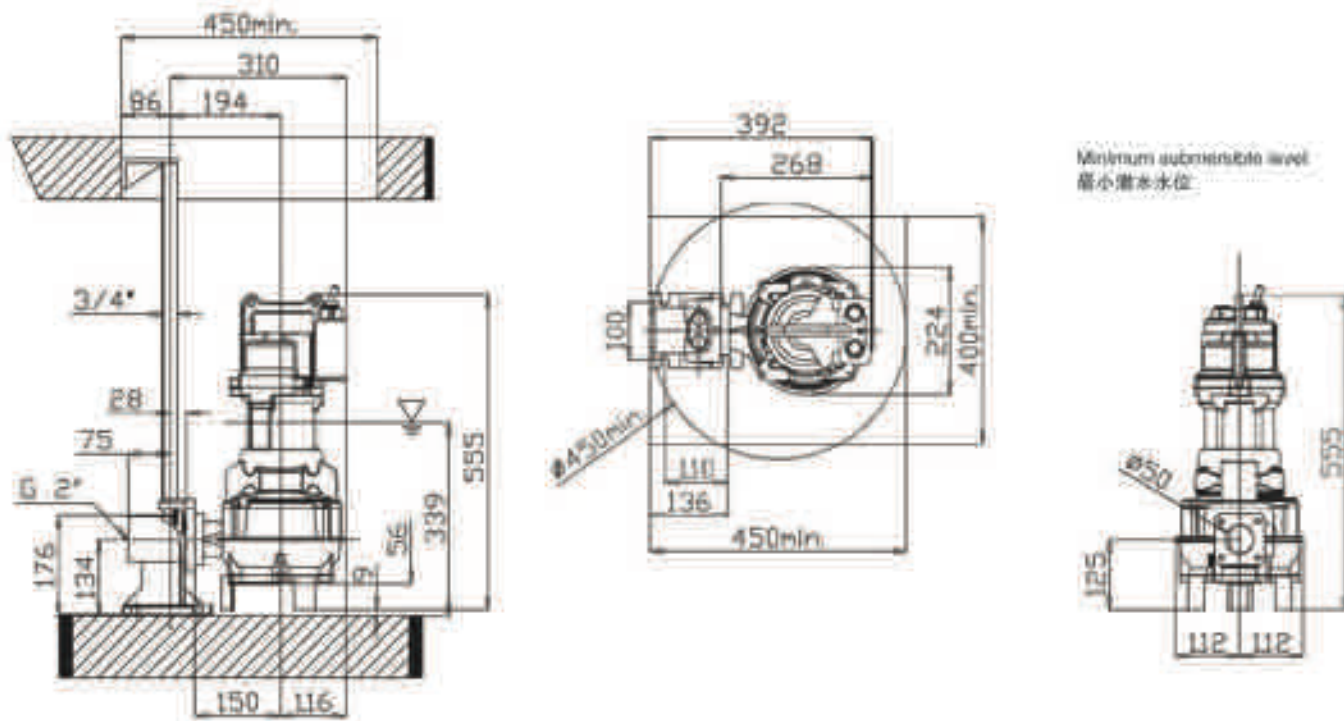
## V、Performance Curve 性能曲线



电压	3~4 400V 50Hz
每分钟转速	2850
自由扬程 (mm)	60
排量口径 (mm)	DN 50
最大重量 (Kg)	46

数量	代码	型号	电压			ATEX 认证
			额定功率P2 (kW)	额定电流 (A)	启动电流 (A)	
1	7000455	X271T3V1-K50LA4	2.4	4.5	61.4	7000876
2	7000988	X271T3V2-K50LA4	1.8	9.1	17.2	7000882
3	7000850	X271T3V3-K50LA4	1.8	9.1	17.2	7000881

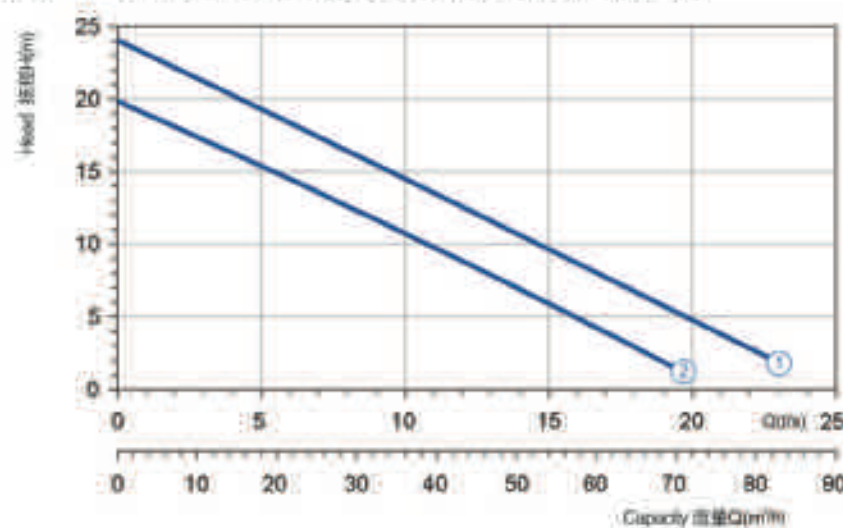
## VI、Dimensions 尺寸(mm)



# SUBMERGED SEWAGE PUMP

VQ VQN VQD / 不锈钢污水泵

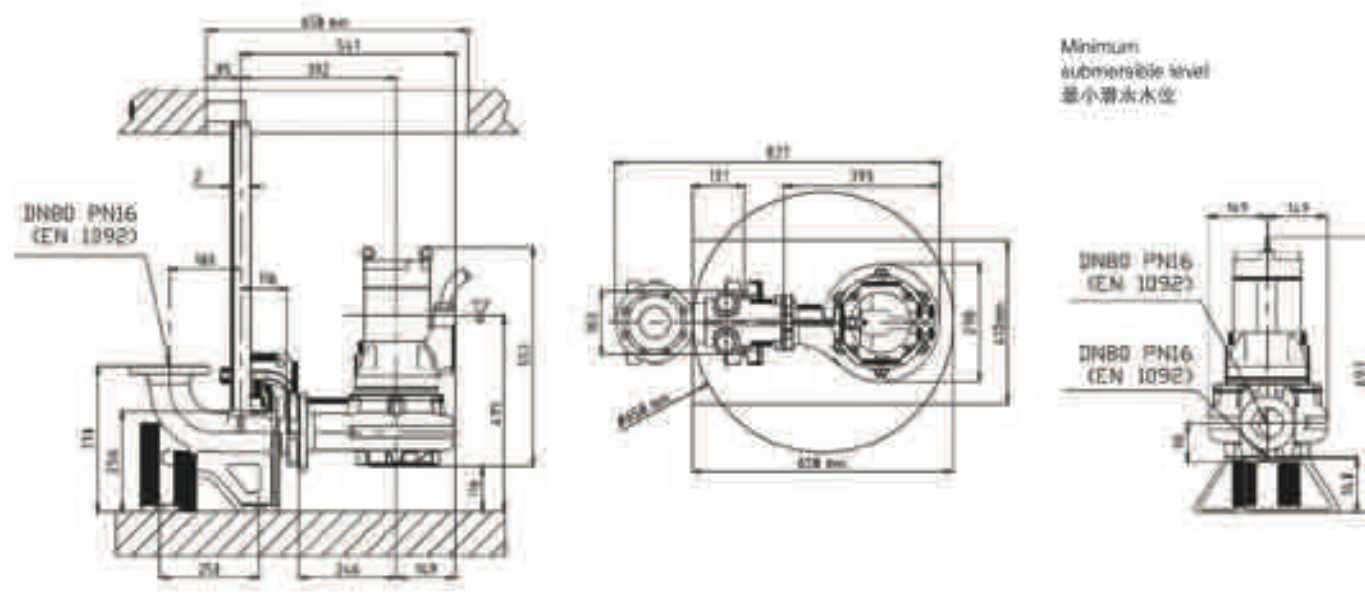
## V、Performance Curve 性能曲线



电压	3~4 400/690V 50/60Hz
每分钟转速	2850
自由扬程 (mm)	60
排量口径 (mm)	DN 80
最大重量 (Kg)	82

数量	代码	型号	电压			ATEX 认证
			额定功率P2 (kW)	额定电流 (A)	启动电流 (A)	
1	7009120	X210R3V1-M50LA5	5.7	10.4	61.4	7006142
2	7002402	X210R3V2-M50LA5	5.8	8.1	53.7	7006150

## VI、Dimensions 尺寸(mm)

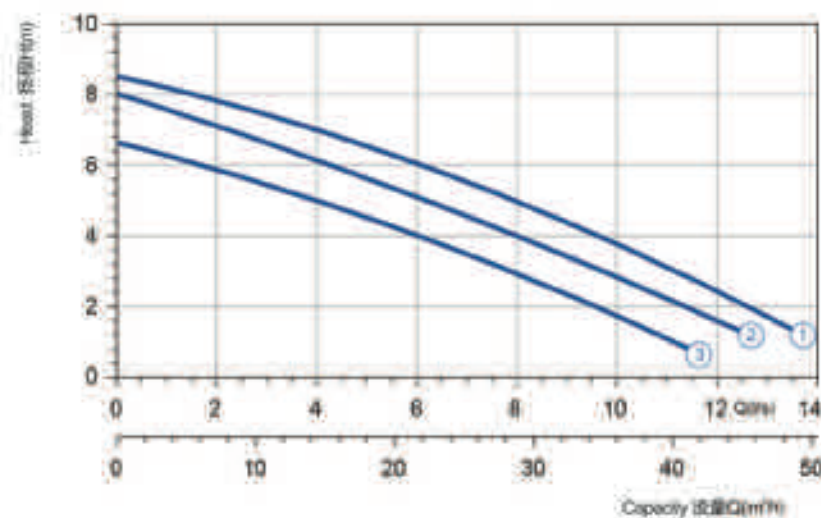


- VQ
- D
- V
- S
- M
- H
- C
- T
- P
- XD
- XV
- XC
- XT
- BQ
- BV
- BC
- Installation
- Vx
- VW
- 附录

# SUBMERGED SEWAGE PUMP

VQ VQN VQD / 不锈钢污水泵

## V、Performance Curve 性能曲线

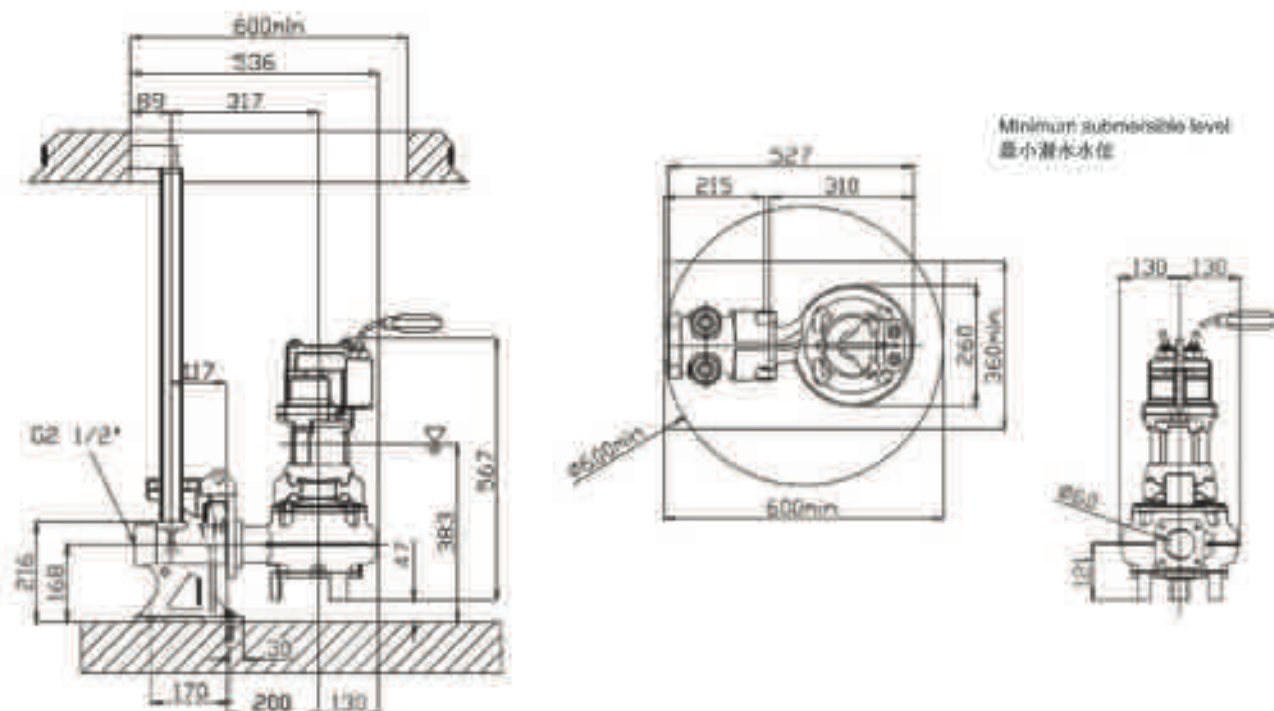


电压	14r 230V 50Hz	流量m³/h	功率kW	ATEX 认证
每分钟转速	1450			
自由流量 (mm)	50			
排量直径 (mm)	DN 65			
最大重量 (Kg)	47			

流量m³/h	功率kW	ATEX 认证
1	1.6	7003331
2	1.4	7003332
3	1.2	7003333

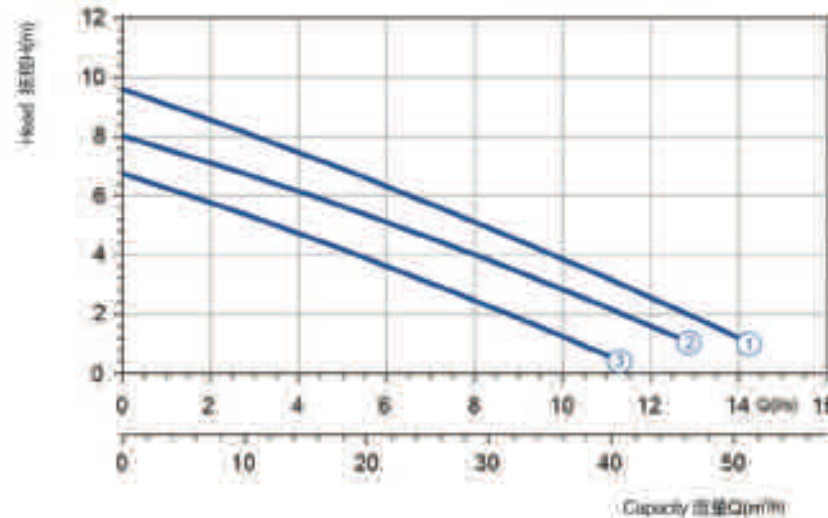
## VI、Dimensions 尺寸(mm)



# SUBMERGED SEWAGE PUMP

VQ VQN VQD / 不锈钢污水泵

## V、Performance Curve 性能曲线

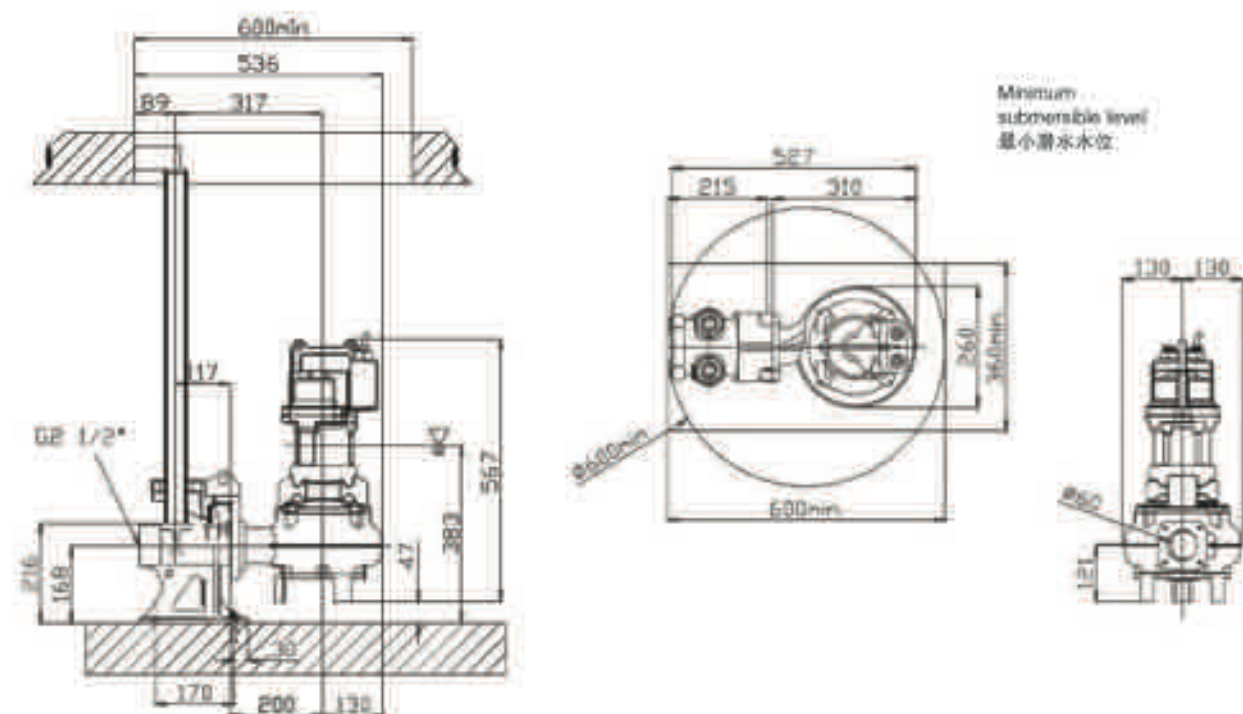


电压	3ph 400V 50Hz	流量m³/h	功率kW	ATEX 认证
每分钟转速	1450			
自由流量 (mm)	50			
排量直径 (mm)	DN 65			
最大重量 (Kg)	48			

流量m³/h	功率kW	ATEX 认证
1	1.8	7003225
2	1.4	7003226
3	1.1	7003229

## VI、Dimensions 尺寸(mm)



VQ

D

V

S

M

H

C

T

P

XD

XV

XC

XT

BQ

BV

BC

Installator

Vx

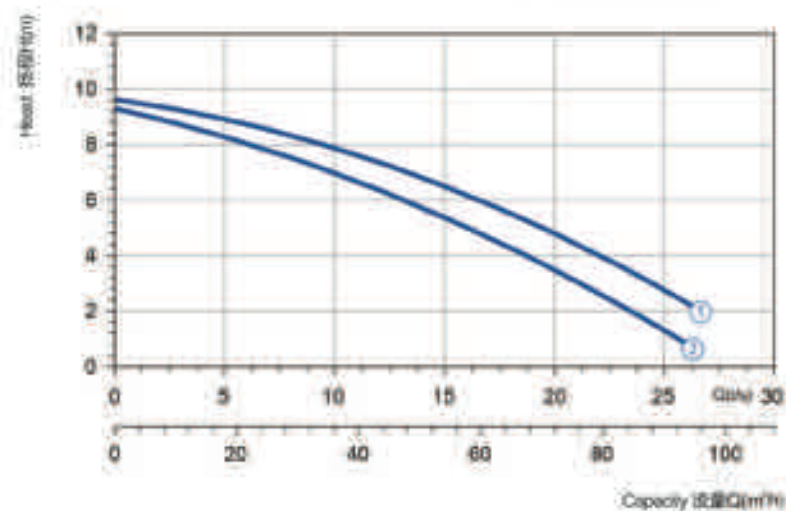
VW

附录

# SUBMERGED SEWAGE PUMP

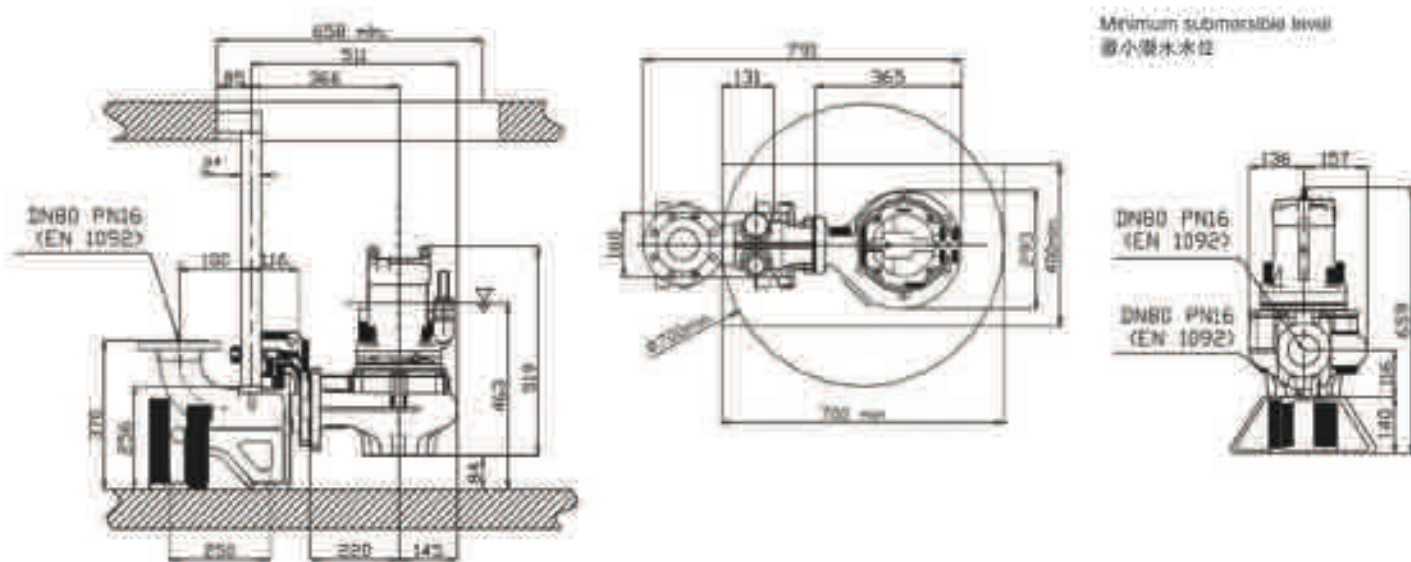
VQ VQN VQD / 不锈钢污水泵

## V、Performance Curve 性能曲线



电机	3~A 400V 50Hz	流量 (m³/h)	扬程 (m)	功率 (kW)	电压 (V)	电流 (A)	ATEX 证书
每分钟转数	1450						
出口直径 (mm)	80						
排量直径 (mm)	DN 80						
最大重量 (Kg)	67						

## VI、Dimensions 尺寸(mm)



Minimum submersible level  
最小潜水水位

## SUBMERGED SEWAGE PUMP VQ SERIES

# SUBMERGED PUMPS SEWAGE



不锈钢XC型叶轮



## I、Application 应用

Submersible electric pumps in stainless steel AISI 316 are used prevalently for the lifting of aggressive and corrosive liquids, in particular for draining away of waste waters originating from chemical industries.

不锈钢 AISI 316 潜水电动机广泛适用于侵蚀性和腐蚀性液体泵送。尤其适用于化工厂产生的废水排放。

## II、Construction Data 结构数据

Submersible electric pumps, robust in construction, watertight electric motor accommodated in compartment, connected, by shafts of reduced lengths, to the impellers situated at the pump casing by the interposition of oil chamber between the hydraulic side and the electric motor.

潜水电泵构造结实，电动马达室防水密封，由短轴连接到泵壳内的泵轮上，润滑油室位于泵壳的液压侧与电机之间。

## III、Materials 材料

Motor Housing	电机外壳	Stainless Steel AISI 316/316L	不锈钢 AISI 316L
Impeller	叶轮/球型外壳	Stainless Steel AISI 316/316L	不锈钢 AISI 316L
Electric Cable	电缆	Neoprene HD7P/NF	氯丁橡胶 HD7P/NF
Shaft	轴	Stainless Steel AISI 316L	不锈钢 AISI 316L
O-Rings And Lip Seal	O 型环	Nitrile	氟化橡胶
Bolt	螺栓	A4 class - AISI 316	A4 类 - AISI 316
Mechanical Seal	机械密封	Silicon Carbide / Silicon Nitride	碳化硅/氮化硅/氟化橡胶

VQ

D

V

S

M

H

C

T

P

XD

XV

XC

XT

BQ

BV

BC

Installation

Vx

VW

附录

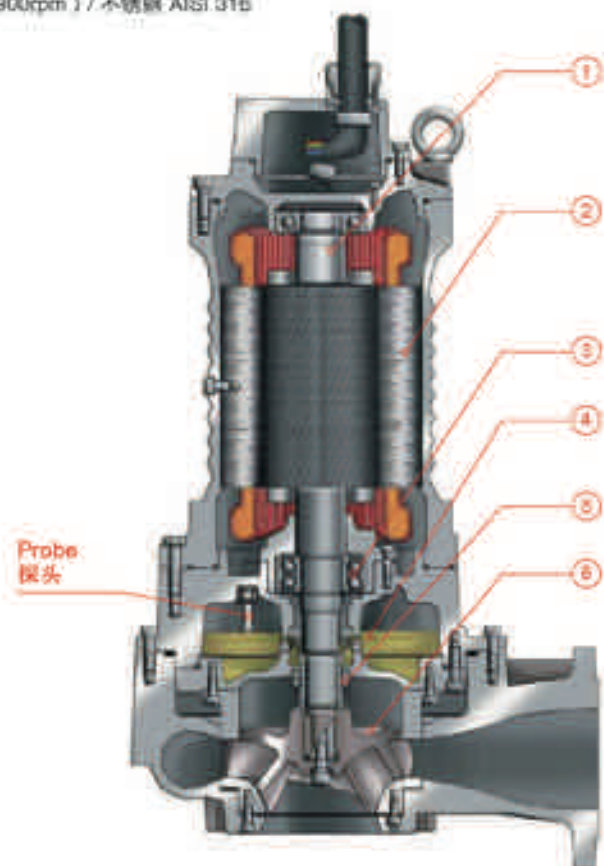


# SUBMERGED SEWAGE PUMP

VQ VQN VQD / 不锈钢污水泵

## IV、Features 特点

Submersible electric pumps with channels in stainless steel AISI 316 2 poles  
多流道潜水电泵 / 2极 (2900rpm) / 不锈钢 AISI 316

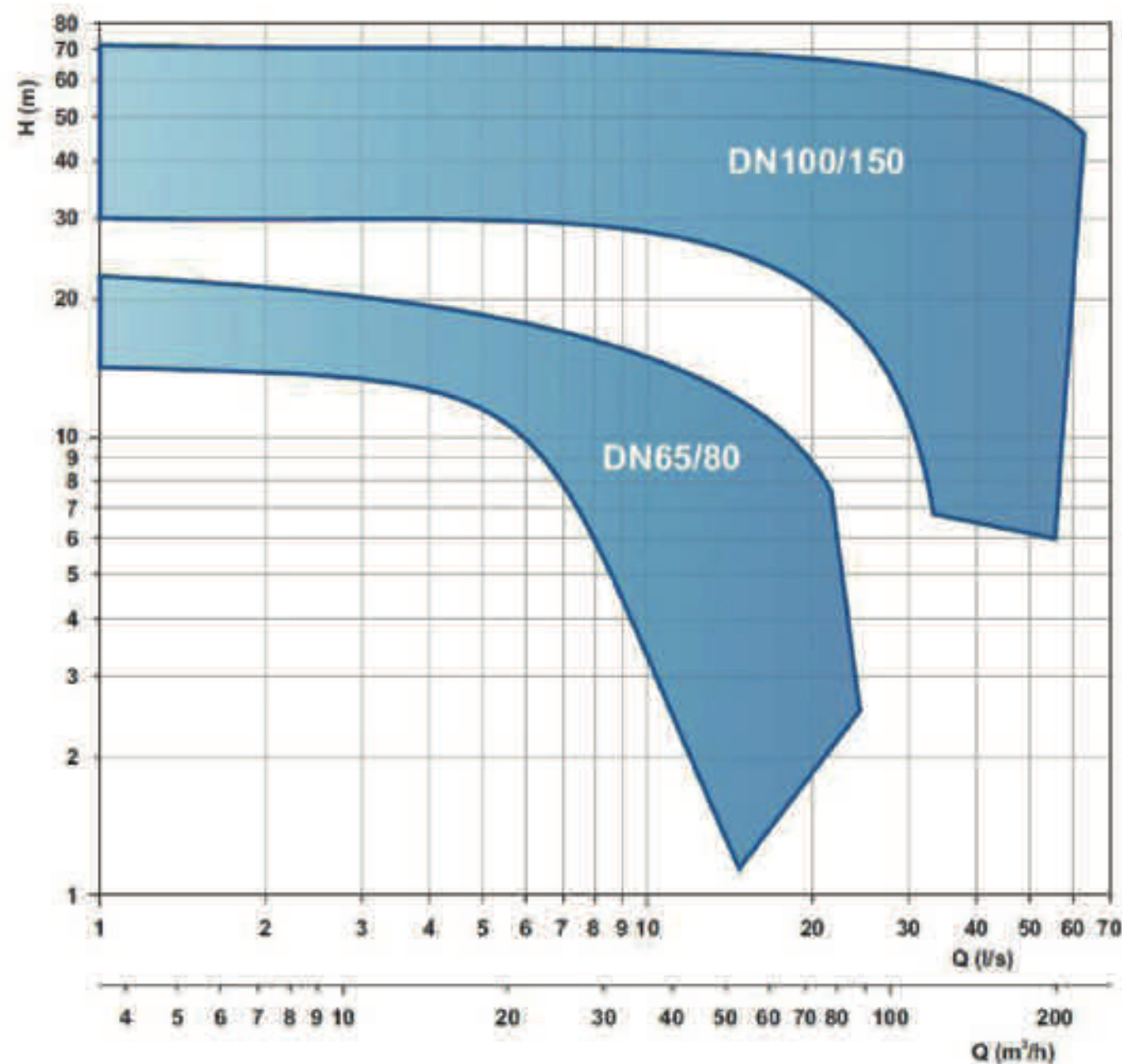


- 1 Shafts grinded down in ball bearings and mechanical seal seats, over-dimensioned respect to standard parameters of use.
  - 2 Motor asynchronous three-phase squirrel cage type, insulation class H(180 ° C). Dry motor, cooled by surrounding liquid. Protection degree IP 68. The motor is projected for continuous or intermittent operation, with a maximum of 15 starts per hour at regular intervals. The motor is projected for working with 5% maximum voltage unbalance between phases.
  - 3 Ball bearings overdimensioned, life lubricated, maintenance free.
  - 4 Oil chamber oil lubricates and cools the seals and emulsifies eventual water infiltration. This electric pump has two types of seals for a perfect insulation between the electric motor and the pumped liquid. Upper seal: mechanical, ceramic / graphite.
  - 5 Lower seal: mechanical, Silicon Carbide / Silicon Carbide / Viton.
  - 6 Impellers are projected in order to guarantee and assure an high hydraulic efficiency and low power consumption, they have big inter-blades and diffuser free passages, minimum blades number, special blades design, especially diffusers' water-cooler blades designed to avoid filamentous materials catching.
- 1 轴深球轴承压入，机械密封座，尺寸大于标准使用参数。
- 2 异步电机三相鼠笼型，绝缘等级 H(180 ° C)。干电机，由周围液体冷却，防护等级 IP 68。电机用于连续或间歇运行，按固定时间间隔每小时最多启动 15 次。电机用于相间电压不平衡最大为 5% 的工作环境。
- 3 大尺寸球珠轴承，长效润滑，免维护。
- 4 润滑油室能润滑和冷却密封件并溶解乳化水渗透。该泵有两种类型密封件，可在电动机和泵送的液体之间完美绝缘。上部密封：陶瓷 / 石墨。
- 5 底部密封：机械密封，碳化硅密封 / 氟化橡胶密封。
- 6 泵轮用于保证和确保高水力效率、低功耗。泵轮有大内叶片和扩压器自由通道，最小叶片数，特殊的叶片设计，特别是扩压器的水刀叶片设计，可避免丝状材料堵塞。

# SUBMERGED SEWAGE PUMP

VQ VQN VQD / 不锈钢污水泵

## V、Submersible electric pumps with channels in stainless steel AISI 316 2 poles 多流道潜水电泵 / 2极 (2900rpm) / 不锈钢 AISI 316

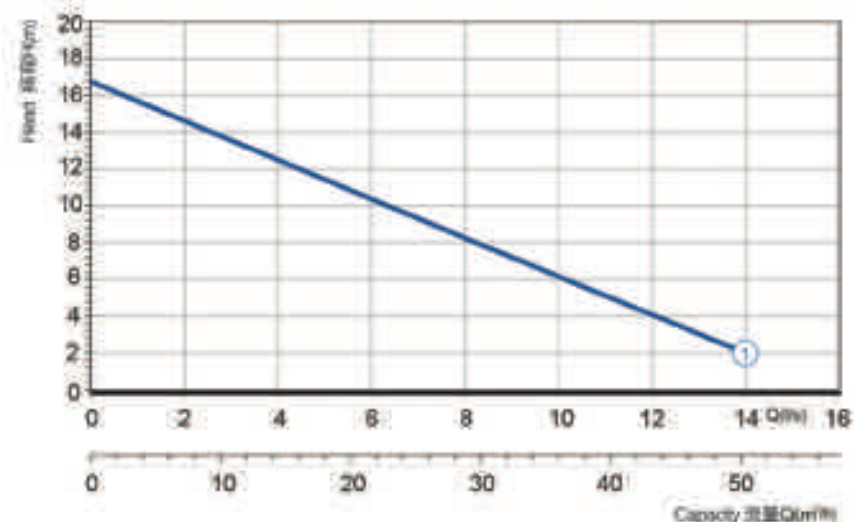


Technical data sheets are available on our web site [www.u-flo.com](http://www.u-flo.com)  
技术数据表可访问我们的网站获取：[www.u-flo.com](http://www.u-flo.com)

# SUBMERGED SEWAGE PUMP

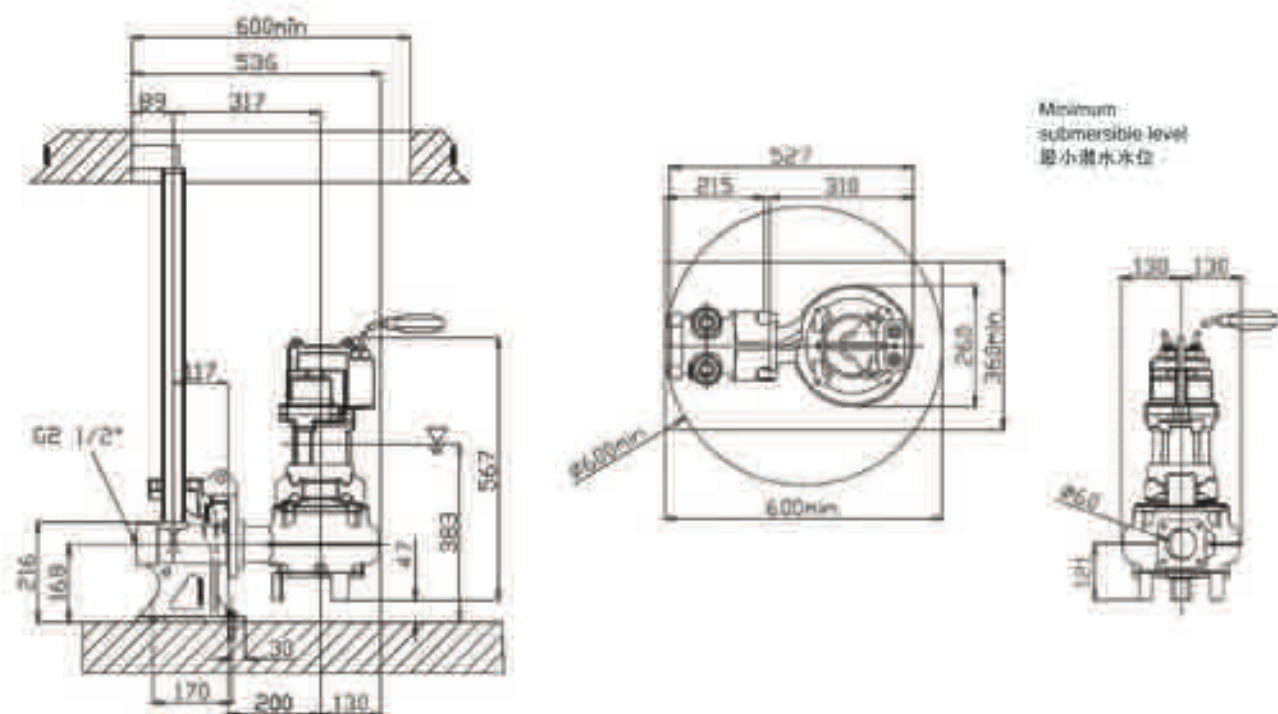
VQ VQN VQD / 不锈钢污水泵

## VI、Performance Curve 性能曲线



电压	1ph 230V 50Hz	系列号	代码	型号	电机			ATEX 认证号
每分钟转速	2850	额定功率P2 (kW)	额定电流 (A)	启动电流 (A)				
自由通道 (mm)	40	1	7002181	X271M1M2-LA0LB7	1.9	11.4	62.7	7006401
排量直径 (mm)	DN 65							
最大重量 (Kg)	49							

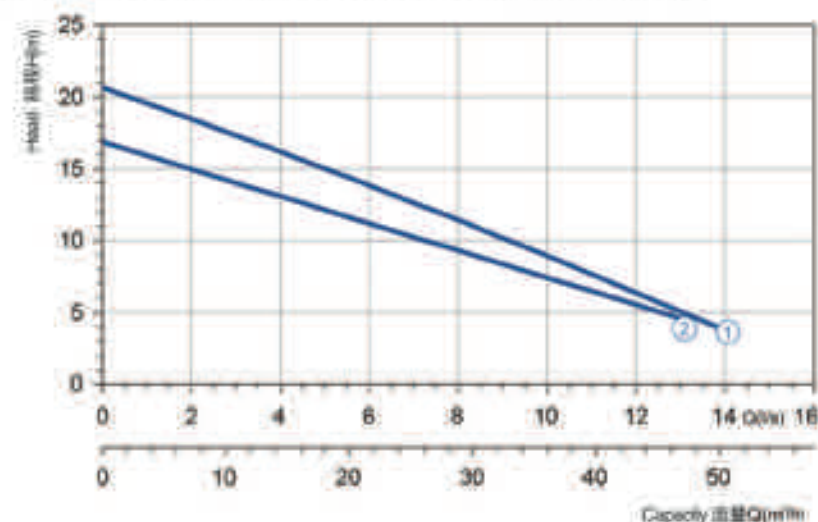
## VII、Dimensions 尺寸(mm)



# SUBMERGED SEWAGE PUMP

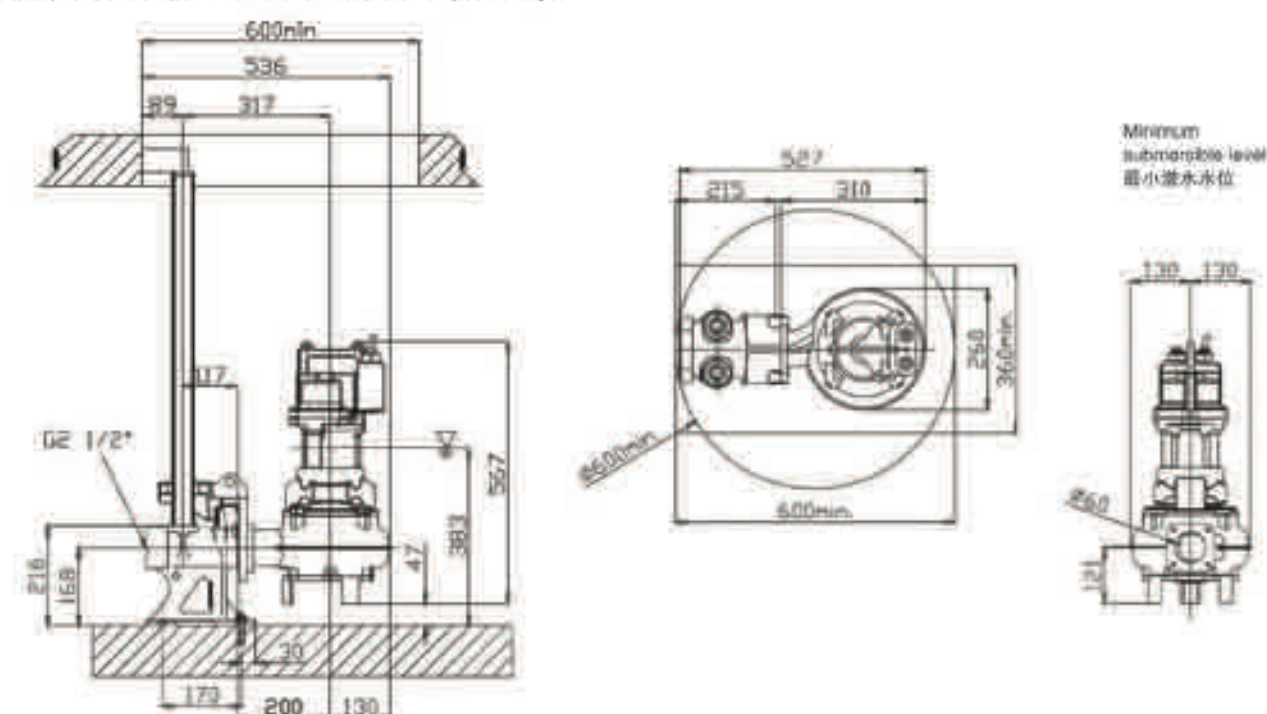
VQ VQN VQD / 不锈钢污水泵

## VI、Performance Curve 性能曲线



电压	3ph 400V 50Hz	系列号	代码	型号	电机			ATEX 认证号
每分钟转速	2850	额定功率P2 (kW)	额定电流 (A)	启动电流 (A)				
自由通道 (mm)	40	1	7006468	X271T1M1-LA0LA4	2.8	5.2	30.7	7006712
排量直径 (mm)	DN 65	2	7006490	X271T1M2-LA0LA4	2.1	3.8	23	7006692
最大重量 (Kg)	50							

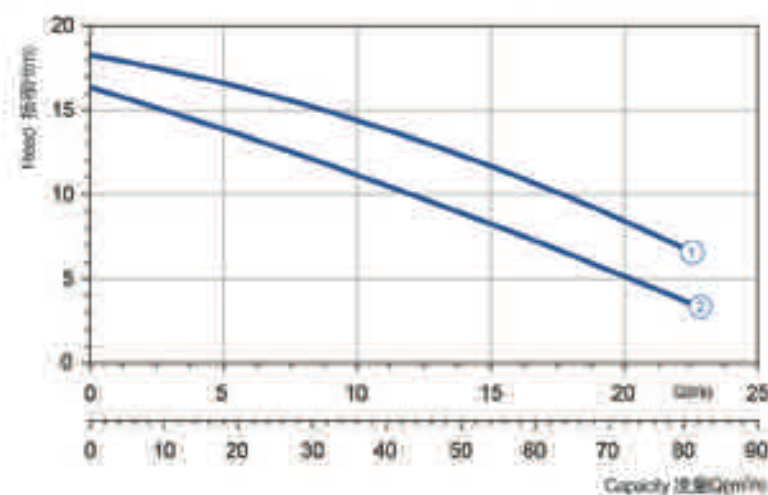
## VII、Dimensions 尺寸(mm)



# SUBMERGED SEWAGE PUMP

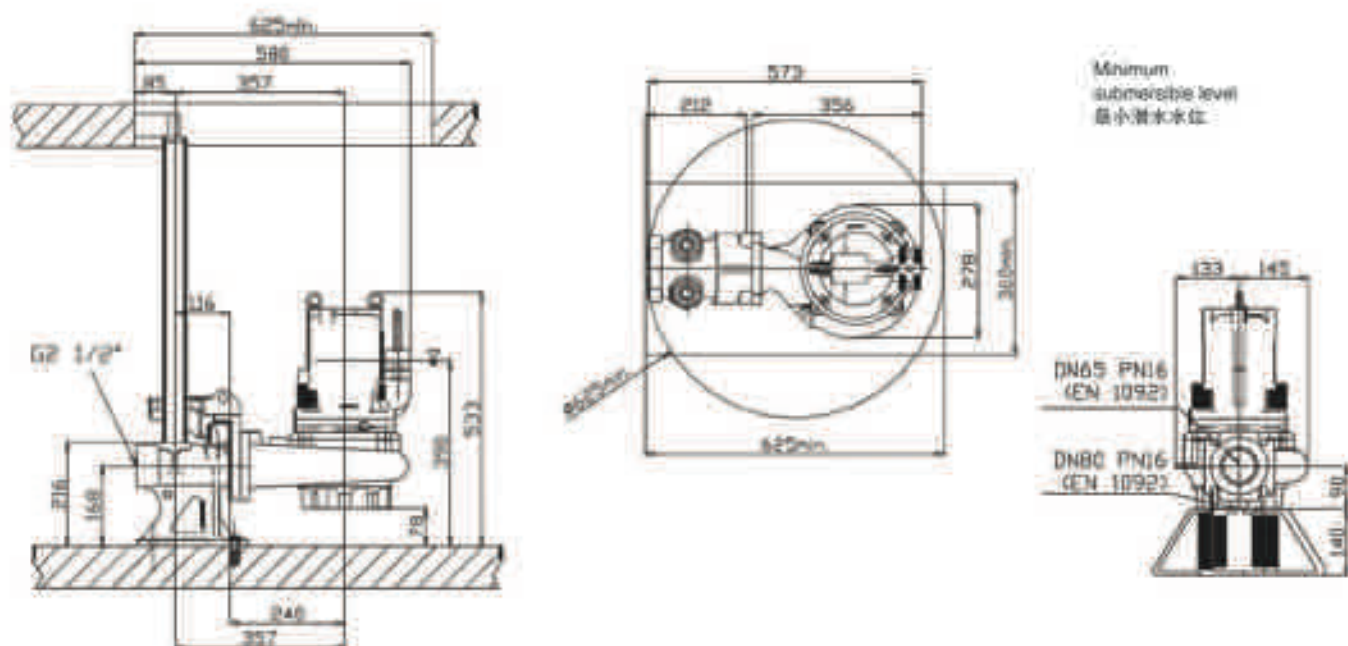
VQ VQN VQD / 不锈钢污水泵

## VI、Performance Curve 性能曲线



电源	3ph 400V 50Hz	系列号	材料	型号	电机			ATEX 认证
每分钟转速	2850				额定功率 (kW)	额定电压 (V)	额定电流 (A)	
自由扬程 (mm)	30	1	7005358	X209T3C2-L30LA4	3.6	6.6	38.8	7005387
接管直径 (mm)	DN 85	2	7005492	X209T3C3-L30LA4	5.1	5.8	34.2	7005806
最大重量 (Kg)	62							

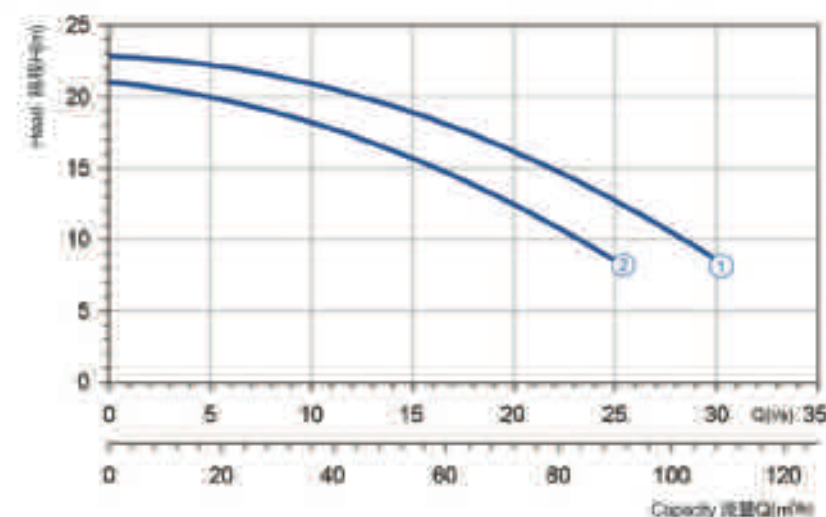
## VII、Dimensions 尺寸(mm)



# SUBMERGED SEWAGE PUMP

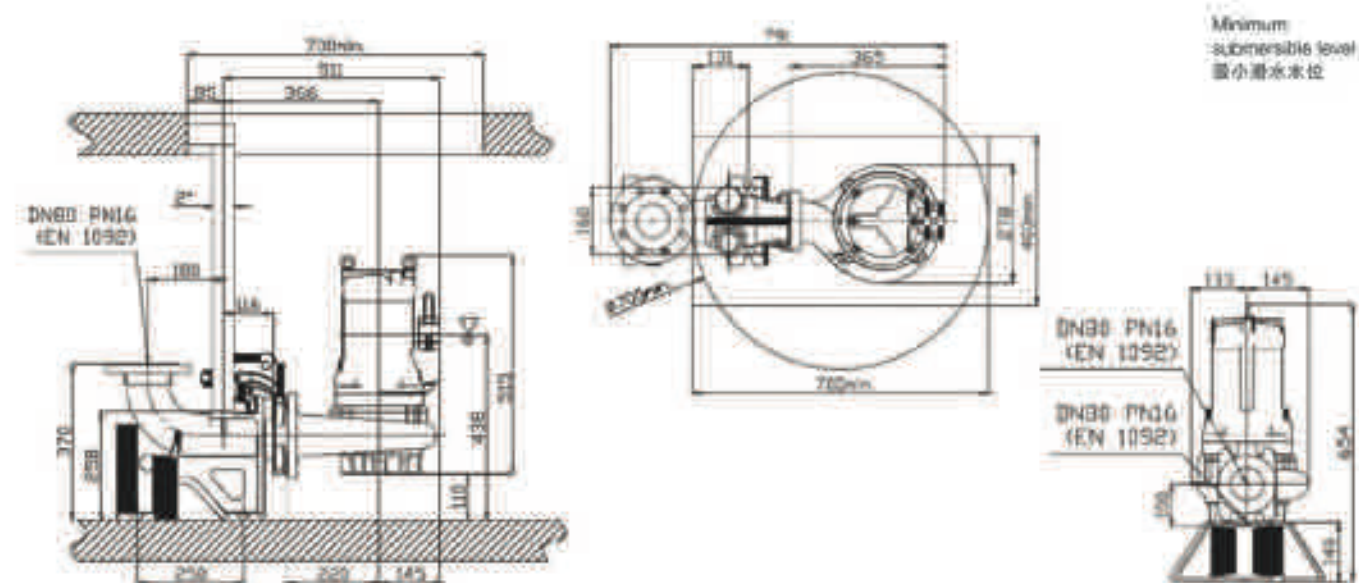
VQ VQN VQD / 不锈钢污水泵

## VI、Performance Curve 性能曲线



电源	3ph 400-690V 50Hz	系列号	材料	型号	电机			ATEX 认证
每分钟转速	2850				额定功率 (kW)	额定电压 (V)	额定电流 (A)	
自由扬程 (mm)	30	1	7005348	X210R3C1-M30LA5	6.5	11.8	69.8	7004186
接管直径 (mm)	DN 80	2	7001863	X210R3C4-M30LA5	5	9.1	53.7	7005095
最大重量 (Kg)	88							

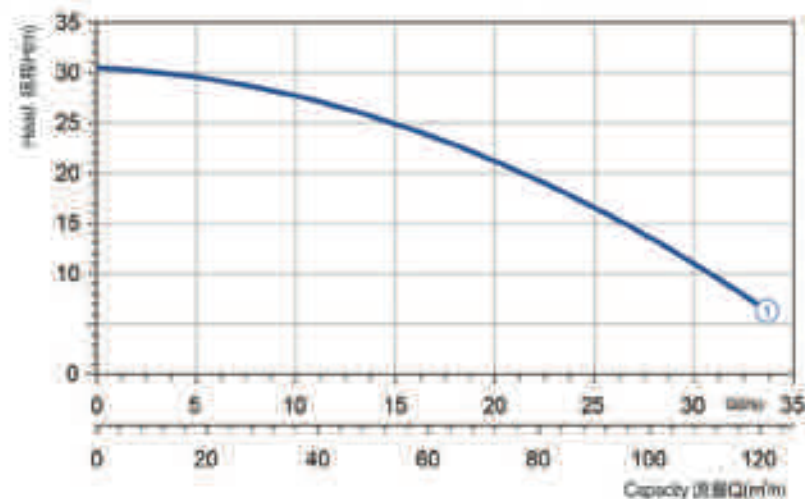
## VII、Dimensions 尺寸(mm)



# SUBMERGED SEWAGE PUMP

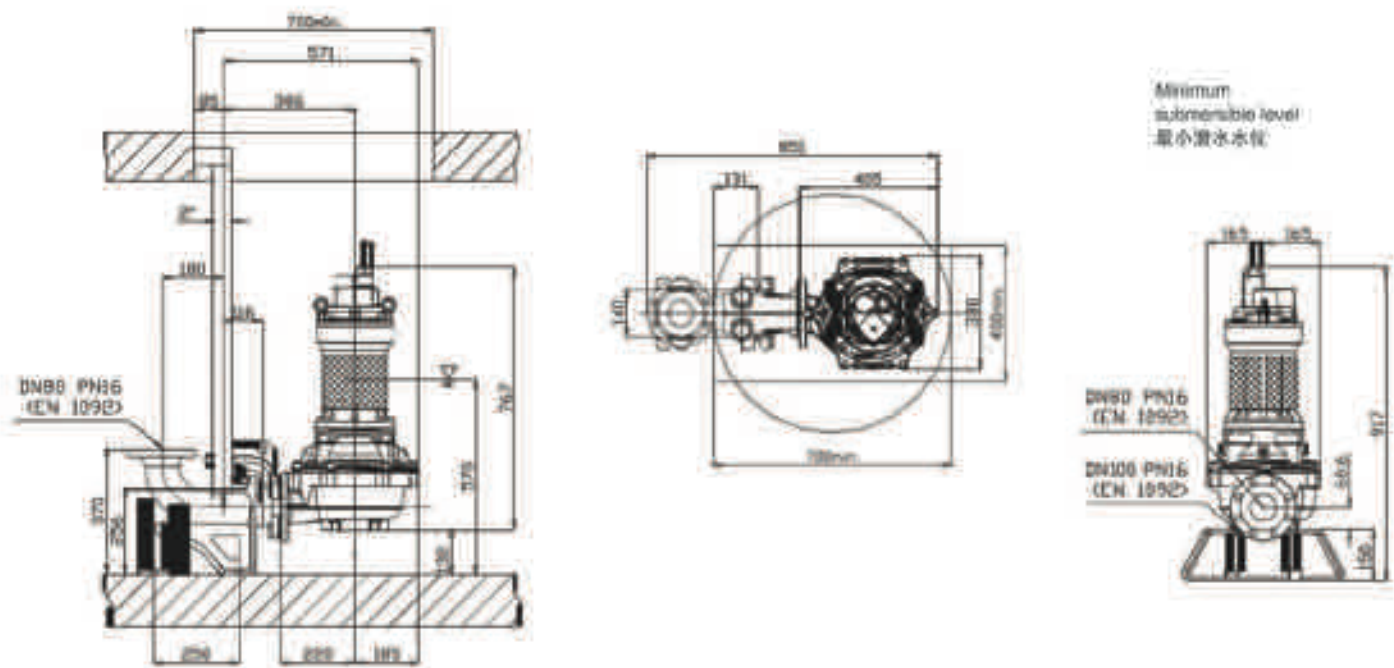
VQ VQN VQD / 不锈钢污水泵

## VI、Performance Curve 性能曲线



电压	30h 400/60V 50Hz	系列号	材料	型号	流量	额定功率 (kW)	额定电压 (V)	额定电流 (A)	ATEX 认证号
每分钟转速	2850	1	7003334	X211R3C1-M30LA5	7.5	13.5	79.7	7001340	
自由高度 (mm)	30								
接管直径 (mm)	DN 80								
最大重量 (Kg)	179								

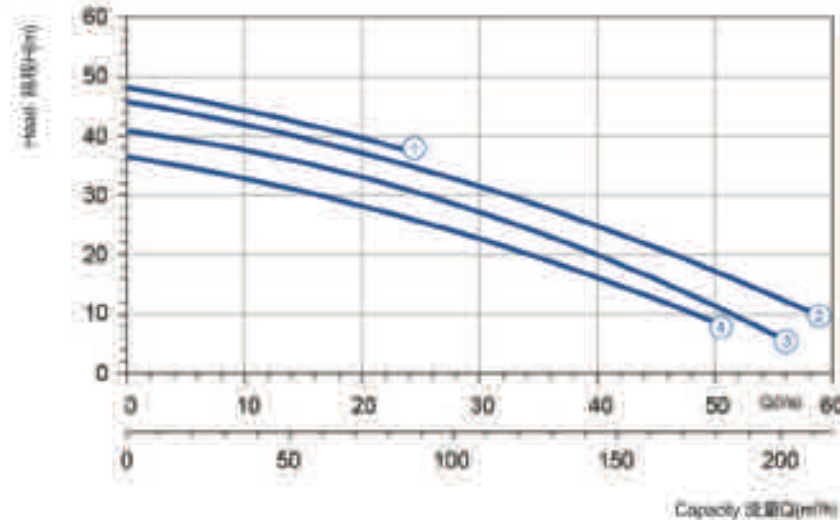
## VII、Dimensions 尺寸(mm)



# SUBMERGED SEWAGE PUMP

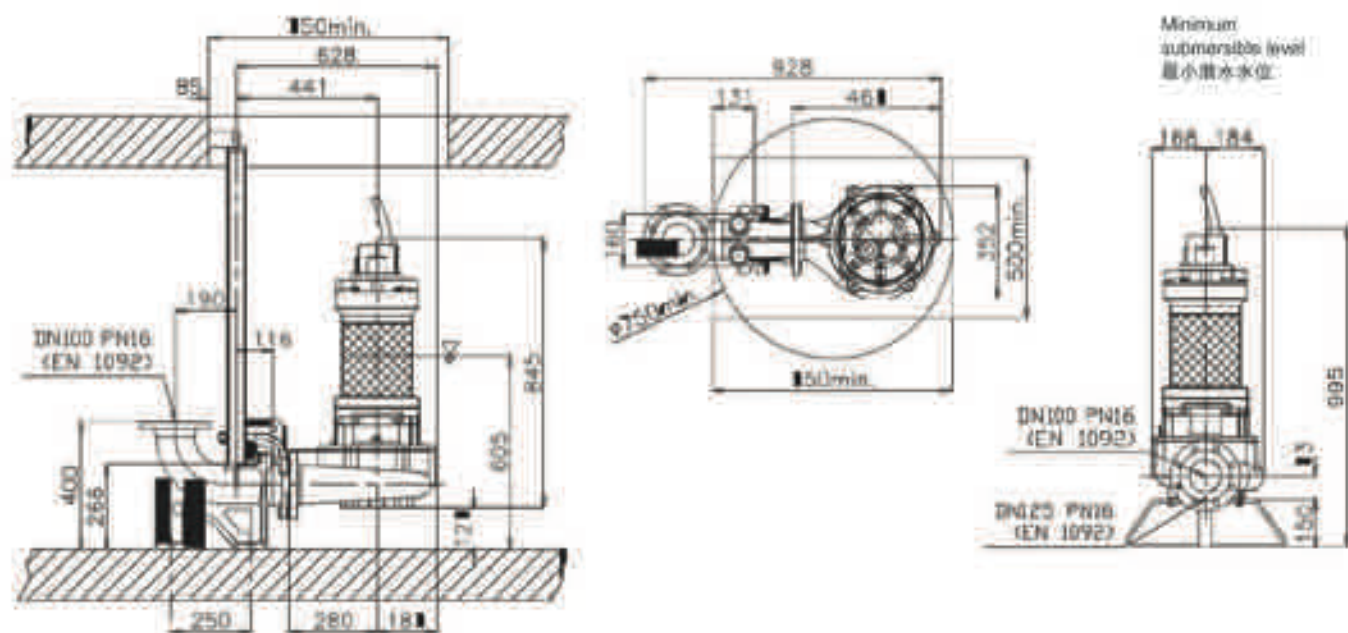
VQ VQN VQD / 不锈钢污水泵

## VI、Performance Curve 性能曲线



电压	30h 400/60V 50Hz	系列号	材料	流量	额定功率 (kW)	额定电压 (V)	额定电流 (A)	ATEX 认证号
每分钟转速	2850	1	7002301	X213F3C1-P40LA5	15.8	29.8	176	7007454
自由高度 (mm)	40	2	7003877	X213F3C2-P40LA5	15.8	29.8	178	7007455
接管直径 (mm)	DN 100	3	7003172	X213R3C3-P40LA5	13.8	24.8	146	7007456
最大重量 (Kg)	222	4	7003317	X213F3C4-P40LA5	12	21.7	128	7007456

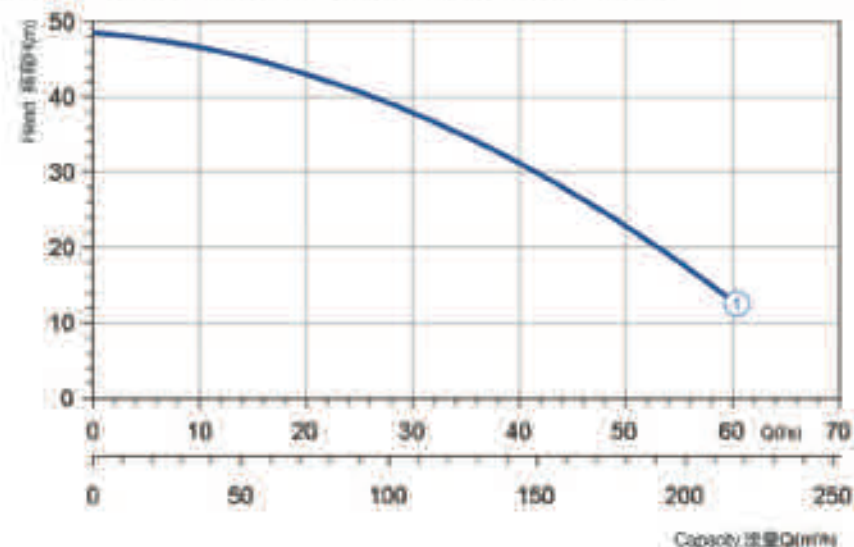
## VII、Dimensions 尺寸(mm)



# SUBMERGED SEWAGE PUMP

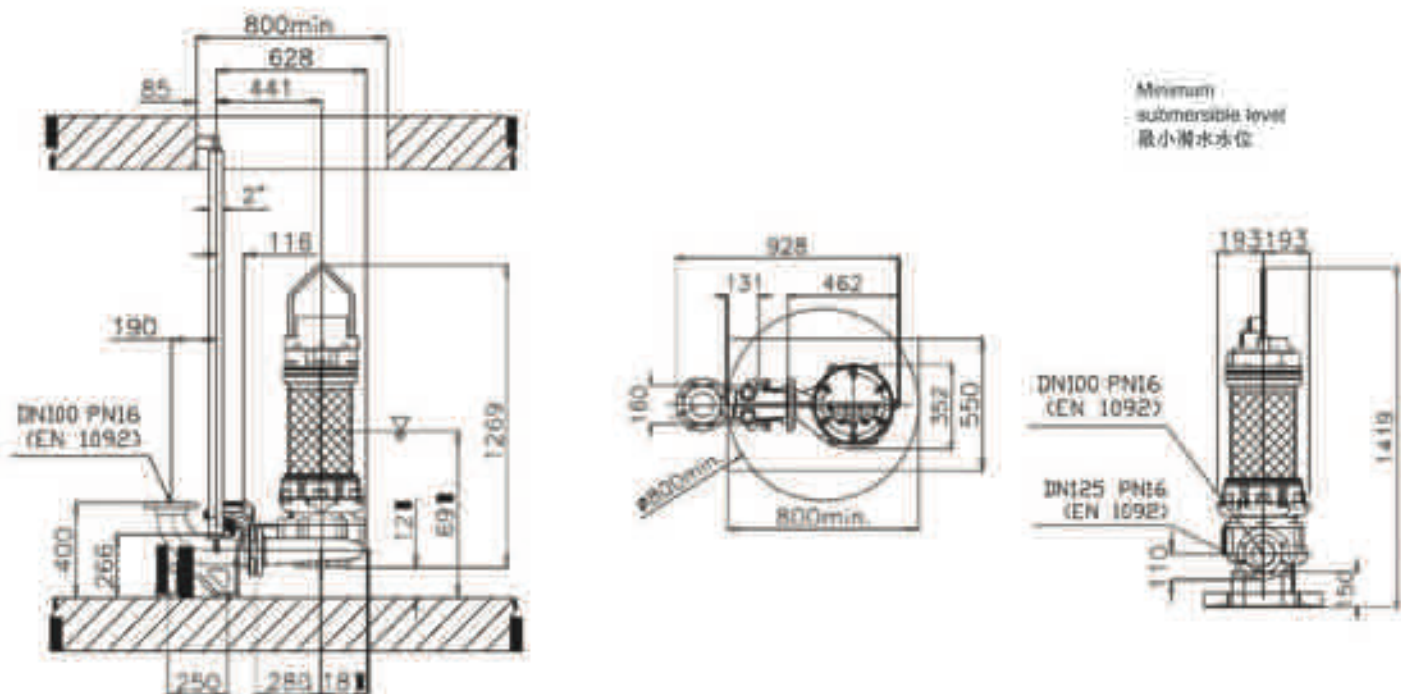
VQ VQN VQD / 不锈钢污水泵

## VI、Performance Curve 性能曲线



电机	3~4 400/690V 50Hz	系列号	代码	型号	电机	ATEX 认证号
每分钟转速	2950				额定功率 P2 (kW) / 额定电流 I(A) / 额定电压 U(A)	
自由通道 (mm)	40	1	7005155	X218R2C1-P40LA5	20 / 35.8 / 211	7006292
排量直径 (mm)	DN 100					
最大重量 (Kg)	380					

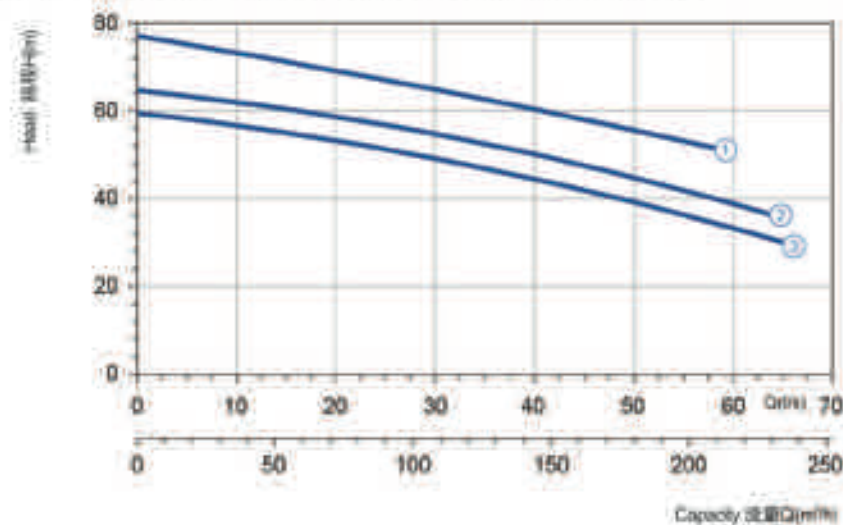
## VII、Dimensions 尺寸(mm)



# SUBMERGED SEWAGE PUMP

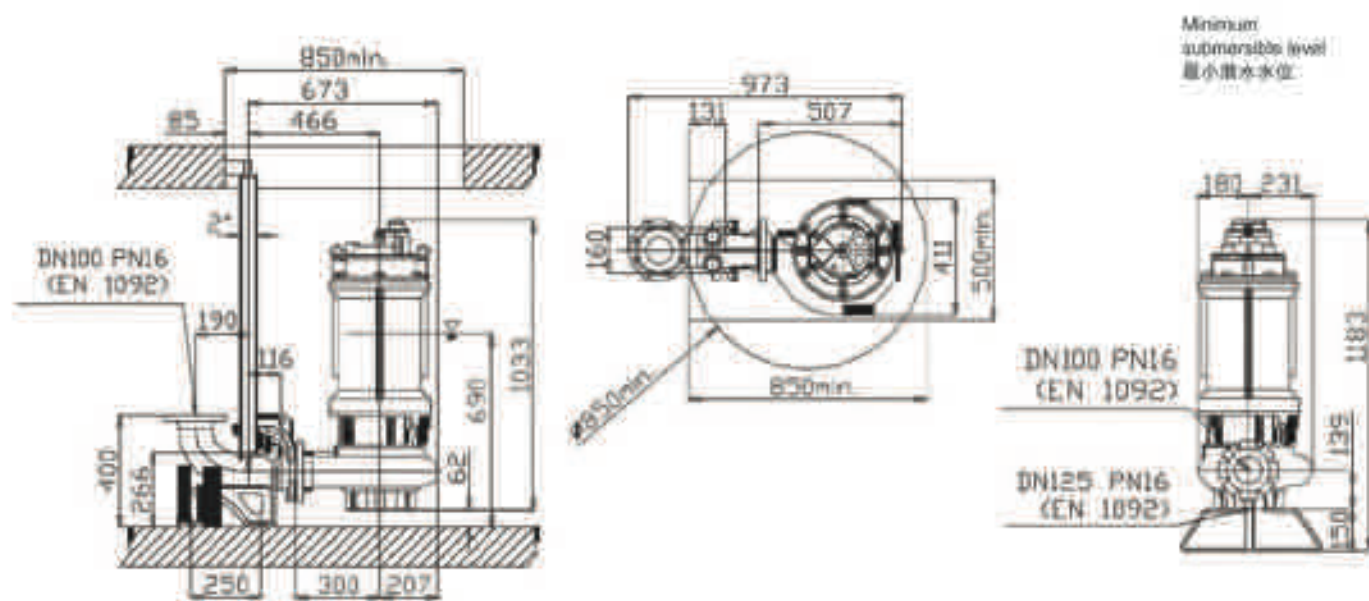
VQ VQN VQD / 不锈钢污水泵

## VI、Performance Curve 性能曲线



电机	3~4 400/690V 50Hz	系列号	代码	型号	电机	ATEX 认证号
每分钟转速	2950				额定功率 P2 (kW) / 额定电流 I(A) / 额定电压 U(A)	
自由通道 (mm)	50	1	7007725	X218R2C1-P50XA5	52 / 90.1 / 532	-
排量直径 (mm)	DN 100	2	7007726	X218R2C2-P50XA5	45 / 78.3 / 462	-
最大重量 (Kg)	380	3	7007727	X218R2C3-P50XA5	40.2 / 71 / 419	-

## VII、Dimensions 尺寸(mm)



- VQ
- D
- V
- S
- M
- H
- C
- T
- P
- XD
- XV
- XC
- XT
- BQ
- BV
- BC
- Installation
- Vx
- VW
- 附录

## SUBMERGED SEWAGE PUMP VQ SERIES

SUBMERGED  
PUMPS SEWAGE  
VQ

不锈钢XC型叶轮



## I、Application 应用

Submersible electric pumps in stainless steel AISI 316 are used prevalently for the lifting of aggressive and corrosive liquids, in particular for draining away of waste waters originating from chemical industries.

不锈钢 AISI 316 潜水电泵广泛应用于腐蚀性和腐蚀性液体泵送。尤其适用于化工厂产生的废水排放。

## II、Construction Data 结构数据

Submersible electric pumps, robust in construction, watertight electric motor accommodated in compartment, connected, by shafts of reduced lengths, to the impellers situated at the pump outlet by the interposition of oil chamber between the hydraulic side and the electric motor.

潜水电泵构造结实，电动机室防水密封，由短轴连接到泵壳内的泵轮上，润滑油室位于泵壳的液泵侧与电机之间。

## III、Materials 材料

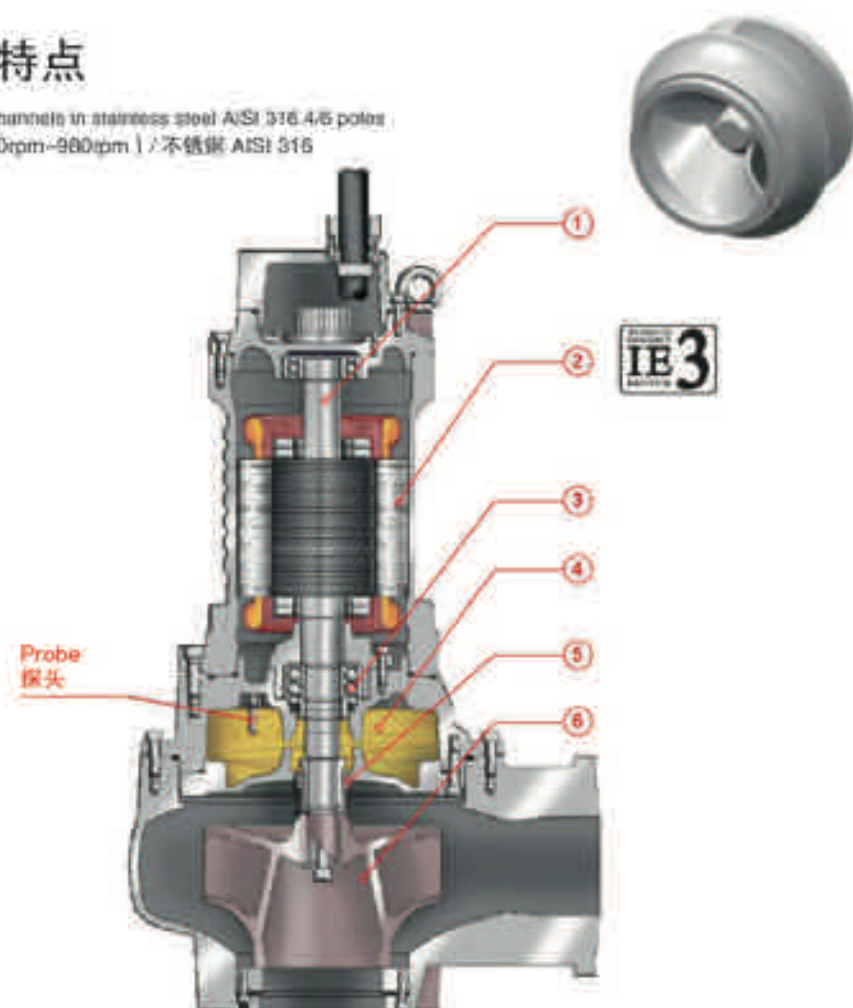
Motor Housing	电机外壳	Stainless Steel AISI 316	不锈钢 AISI 316 型
Impeller	叶轮球型外壳	Stainless Steel AISI 316	不锈钢 AISI 316 型
Electric Cable	电缆	Neoprene H07RN-F	氯丁橡胶 H07RN-F
Shaft	轴	Stainless Steel AISI 316L	不锈钢 AISI 316L
O-Rings And Lip Seal	O 形环	Viton	氟化橡胶
Bolts	螺栓	A4 class - AISI 316	A4 类 - AISI 316
Mechanical Seal	机械密封	Silicon Carbide / Silicon / Viton	碳化硅/碳化硅/氟化橡胶

## SUBMERGED SEWAGE PUMP

VQ VQN VQD / 不锈钢污水泵

## IV、Features 特点

Submersible electric pumps with channels in stainless steel AISI 316 4/6 poles  
多速潜水电泵 / 4-6 极 | 1450rpm-980rpm | 不锈钢 AISI 316



- 1 Shafts** grinded down in ball bearings and mechanical seals, over-dimensioned respect to standard parameters of use.
  - 2 Motor** asynchronous three-phase squirrel cage type, insulation class H(180 ° C). Dry motor, cooled by surrounding liquid. Protection degree IP 68. The motor is projected for continuous or intermittent operation, with a maximum of 15 starts per hour at regular intervals. The motor is projected for working with 5% maximum voltage unbalance between phases.
  - 3 Ball bearings** overdimensioned, life lubricated, maintenance free.
  - 4 Oil chamber** oil lubricates and cools the seals and emulsifies eventual water infiltrations. This electric pump has two types of seals for a perfect insulation between the electric motor and the pumped liquid. Upper seal: mechanical, ceramic / graphite.
  - 5 Lower seal:** mechanical, Silicon Carbide / Silicon Carbide / Viton.
  - 6 Impellers** are projected in order to guarantee and assure an high hydraulic efficiency and low power consumption, they have big inter-blades and diffuser free passages, minimum blades number special blades design, especially diffusers' water-cutter blades designed to avoid filamentous materials catching.
- 1 轴**球轴承压入，机械密封座，尺寸大于标准使用参数。
  - 2 异步电机**三相鼠笼型，绝缘等级 H(180 ° C)，干电机，由周围液体冷却，防护等级 IP 68，电机用于连续或间歇运行，按固定时间间隔每小时最多启动 15 次，电机用于相间电压不平衡最大为 5% 的工作环境。
  - 3 大尺寸滚珠轴承**，长效润滑，免维护。
  - 4 润滑油室**油润滑和冷却密封件并驱除乳化水渗透，该泵有两种类型密封件，可在电动机和泵送的液体之间完美绝缘。上部密封：陶瓷/石墨。
  - 5 底部密封**机械密封，碳化硅密封/氟化橡胶密封。
  - 6 泵轮**用于保证和确保高液力效率，低功耗，泵轮有大内叶片和扩压器自由通道，最小叶片数，特殊的叶片设计，特别是扩压器的水刀刀片设计，可避免纤维材料缠绕。

VQ

D

V

S

M

H

C

T

P

XD

XV

XC

XT

BD

BV

BC

Installation

Vx

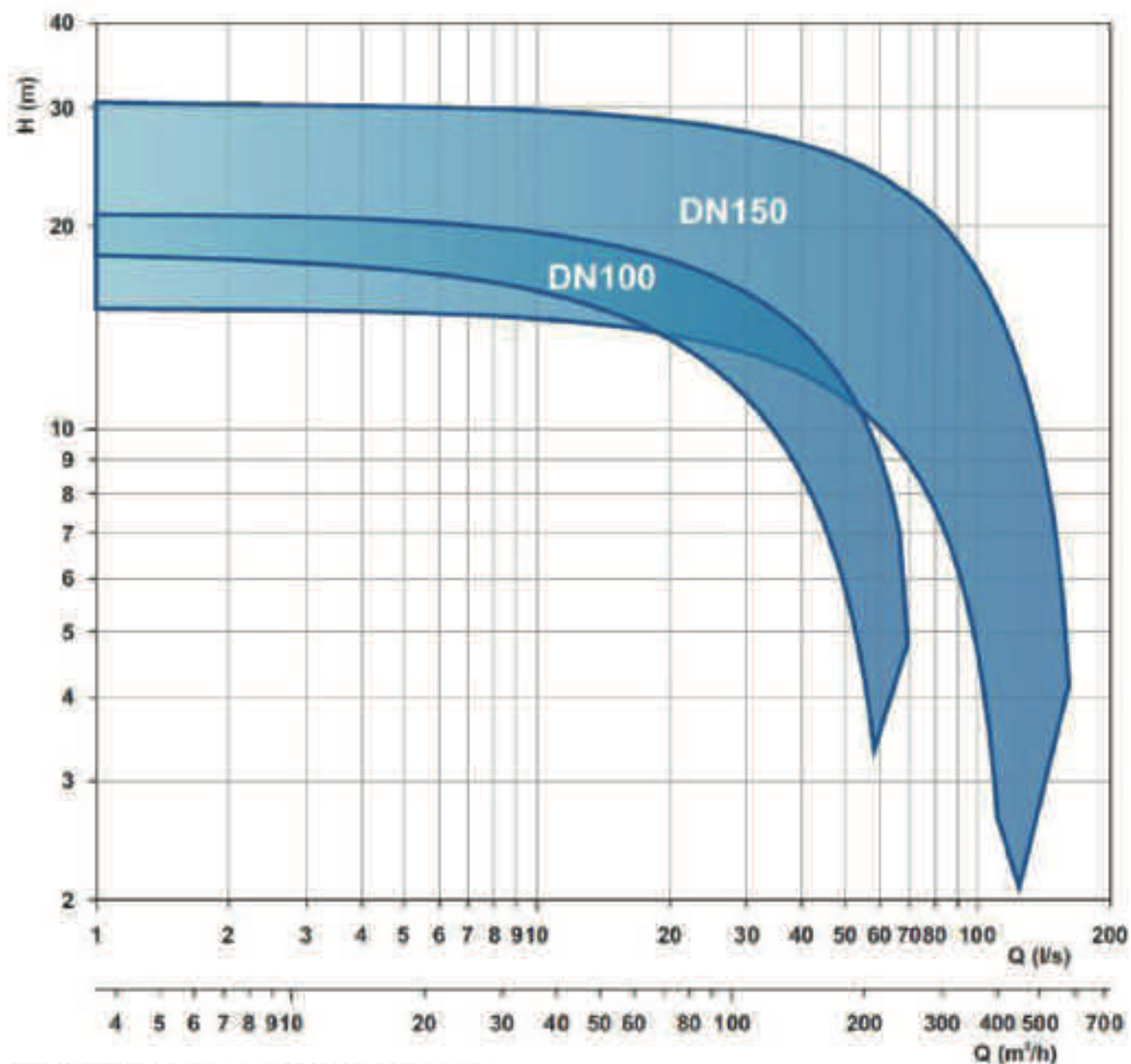
VW

附录

# SUBMERGED SEWAGE PUMP

VQ VQN VQD / 不锈钢污水泵

V、Submersible electric pumps whit channels in stainless steel AISI 316 4/6 poles  
多流道潜水电泵/4-6极 (1450rpm-980rpm)  
/不锈钢 AISI 316

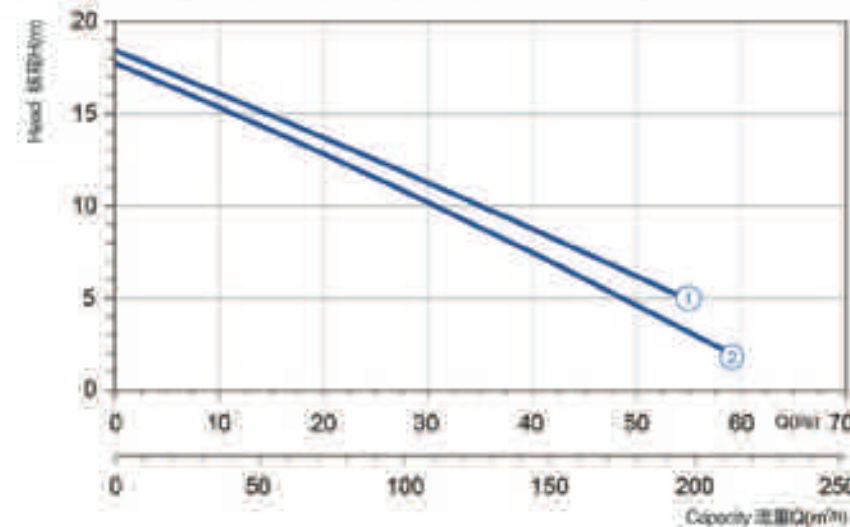


Technical data sheets are available on our web site [www.u-flo.com](http://www.u-flo.com)  
技术数据表可访问我们的网站获取: [www.u-flo.com](http://www.u-flo.com)

# SUBMERGED SEWAGE PUMP

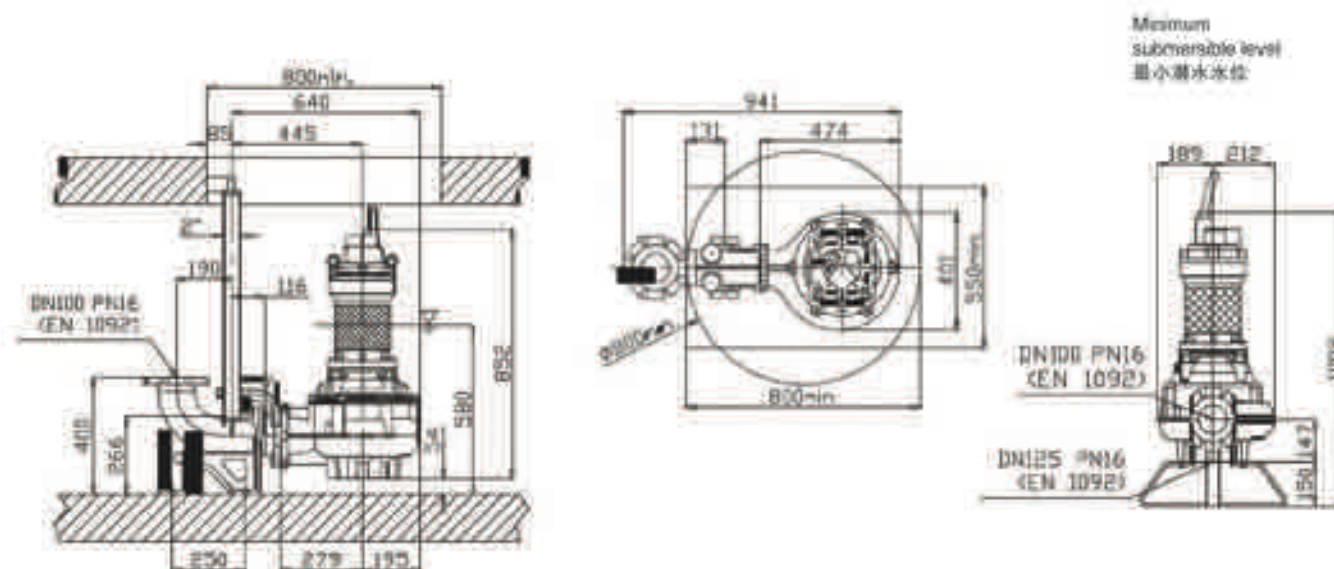
VQ VQN VQD / 不锈钢污水泵

VI、Performance Curve 性能曲线



系列	3ph 400/500V 50Hz	每分钟转速	系列			ATEX 认证号	
			流量 (m³/h)	额定功率 P2 (kW)	额定电流 (A)		启动电流 (A)
1	7006395	X411R2C1-P80LA5	60	7.1	13.5	79.7	7007449
2	7001128	X411R2C5-P80LA5	DN 100	6	11.5	67.9	7007459
最大重量 (Kg)		170					

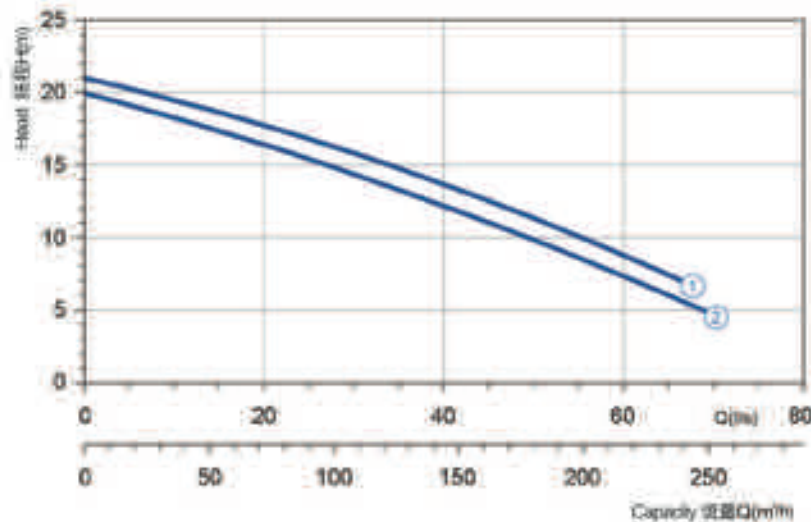
VII、Dimensions 尺寸(mm)



# SUBMERGED SEWAGE PUMP

VQ VQN VQD / 不锈钢污水泵

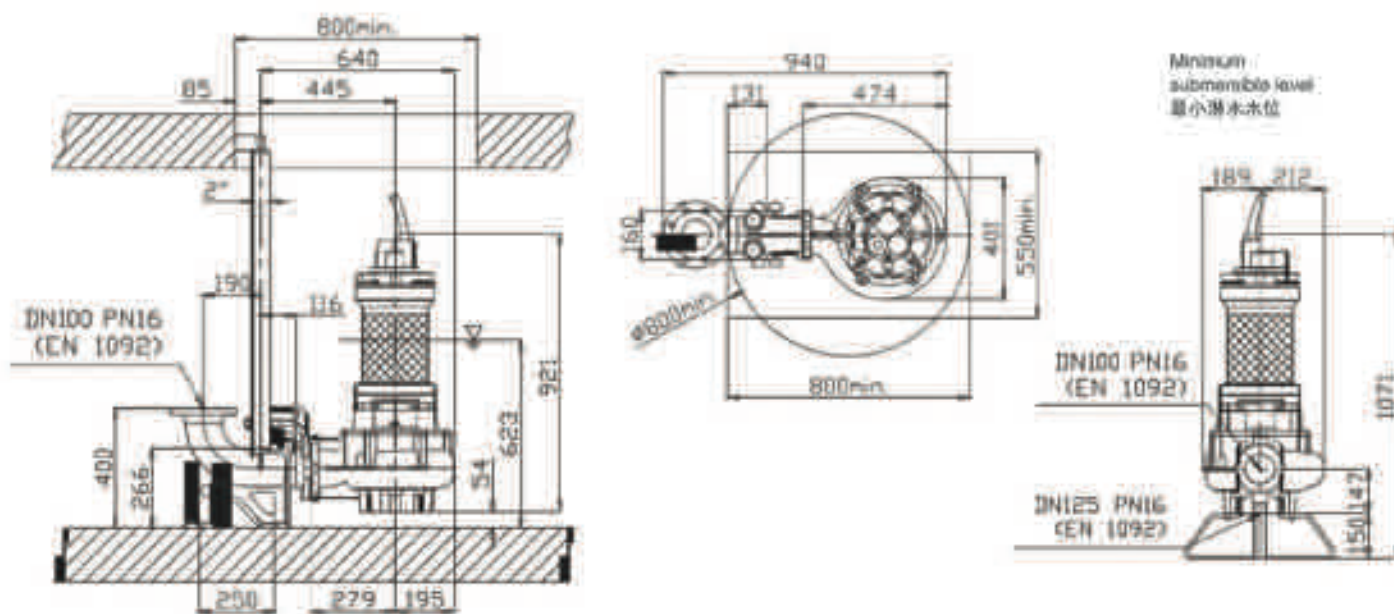
## VI、Performance Curve 性能曲线



电压	3ph 400/690V 50Hz
每分钟转速	1450
自由扬程 (mm)	80
接管直径 (mm)	DN 100
最大重量 (Kg)	220

电压	代码	型号	额定功率 (kW)	额定流量 (m³/h)	额定电压 (V)	ATEX 认证
1	7002876	X413R2C1-P30LA5	10	18	112	7007436
2	7005279	X413R2C6-P30LA5	10	19	112	7005527

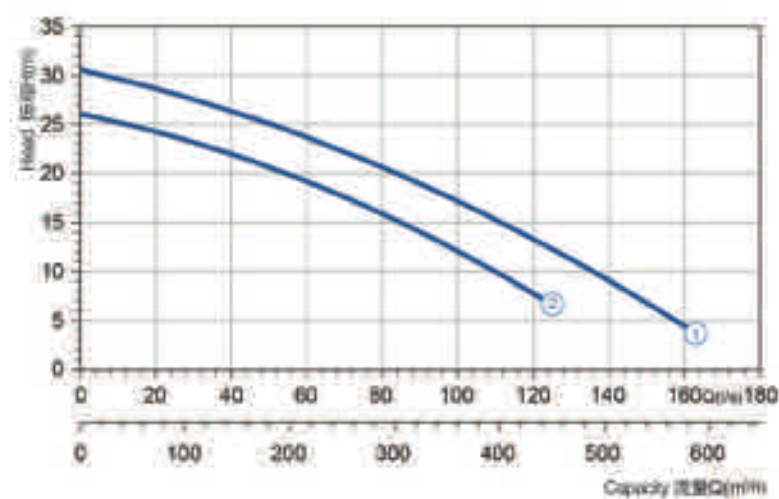
## VII、Dimensions 尺寸(mm)



# SUBMERGED SEWAGE PUMP

VQ VQN VQD / 不锈钢污水泵

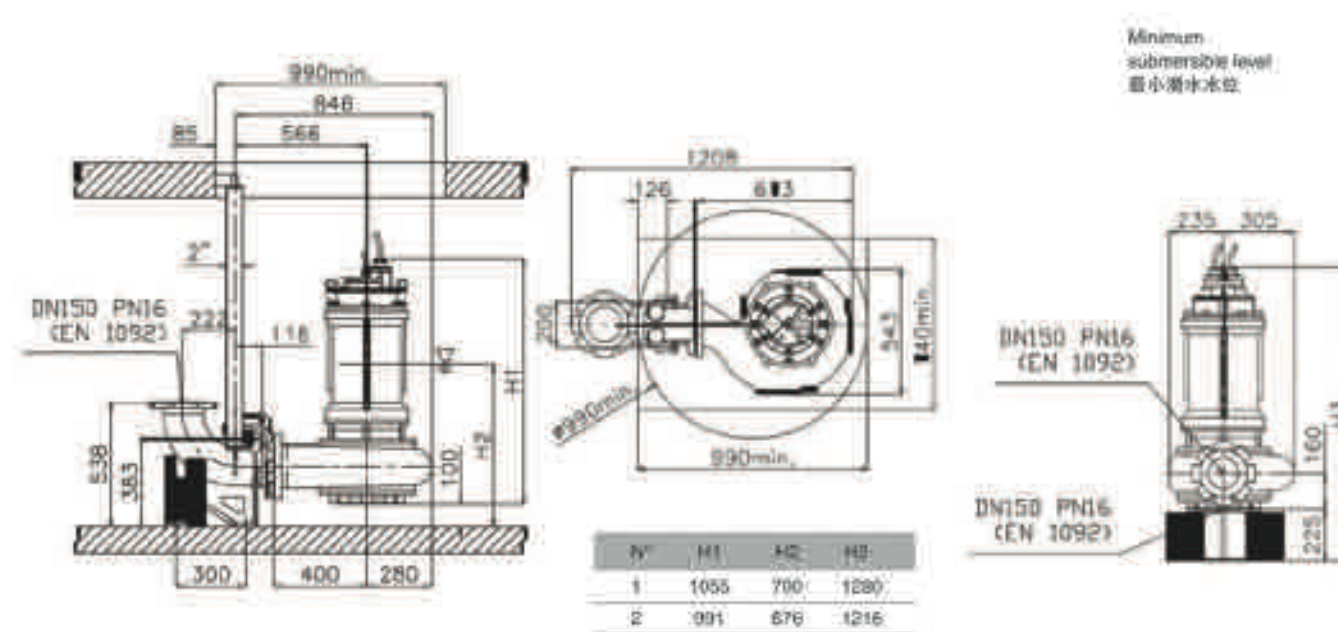
## VI、Performance Curve 性能曲线



电压	3ph 400/690V 50Hz
每分钟转速	1450
自由扬程 (mm)	100
接管直径 (mm)	DN 150
最大重量 (Kg)	405

电压	代码	型号	额定功率 (kW)	额定流量 (m³/h)	额定电压 (V)	ATEX 认证
1	7005834	X418R2C2-S100LA5	30	54.3	320	-
2	7001101	X418R2C3-S100LA5	23E	49.3	258	-

## VII、Dimensions 尺寸(mm)



N°	H1	H2	H3
1	1055	700	1280
2	991	676	1216

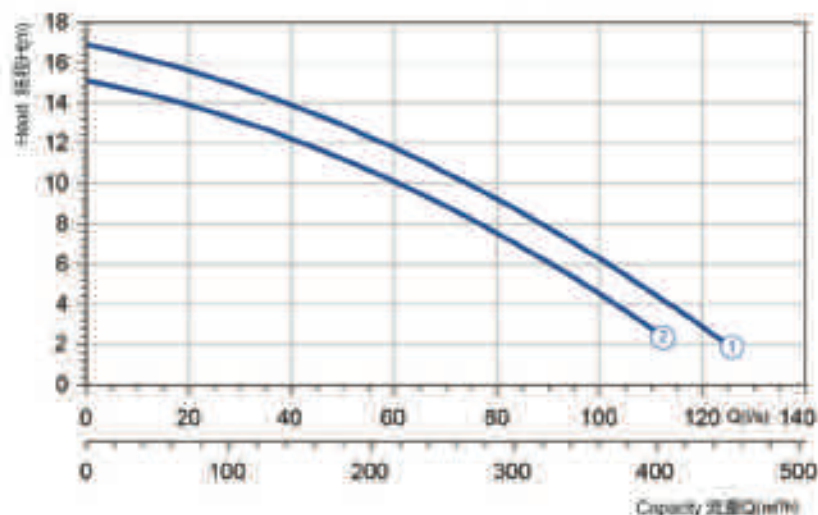


# SUBMERGED SEWAGE PUMP

VQ VQN VQD / 不锈钢污水泵

# SUBMERGED SEWAGE PUMP VQ SERIES

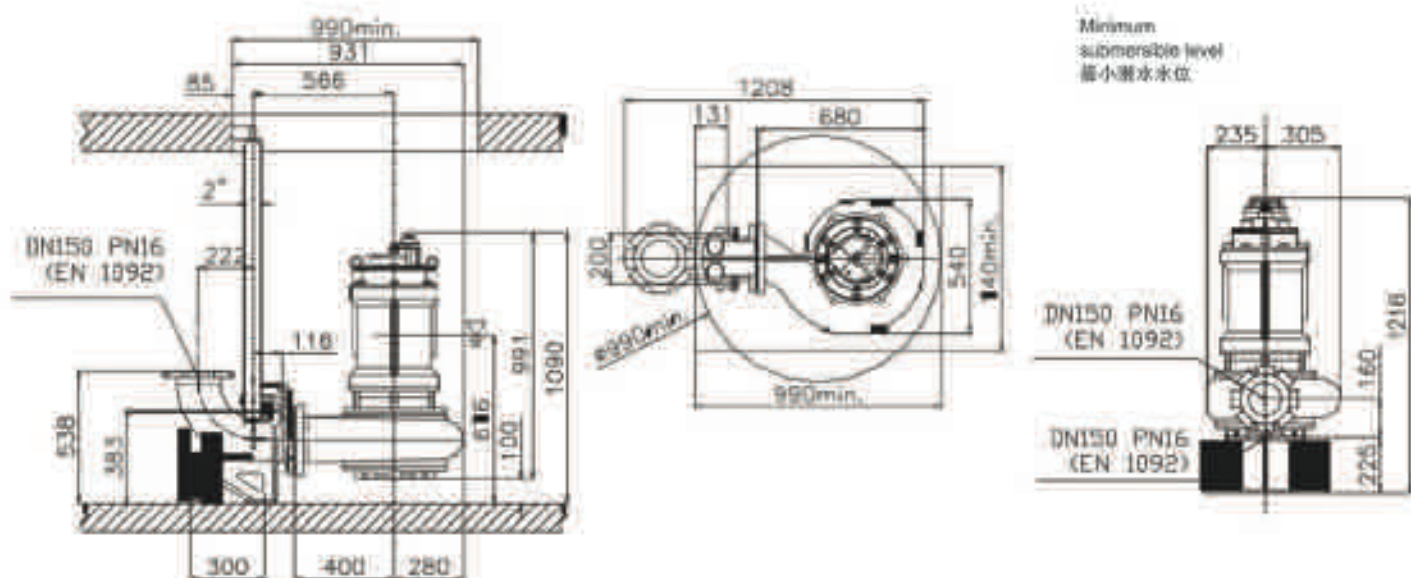
## VI、Performance Curve 性能曲线



电压	3ph 400/690V 50Hz
每分钟转速	950
自由扬程 (mm)	100
接管直径 (mm)	DN150
最大重量 (Kg)	370

电机代码	代码	型号	电机	ATEX 认证
			额定功率 (kW) 额定电压 (V) 额定电流 (A)	
1	7002474	X615R2C1-S100LA5	13.8 25.9 155	-
2	7008913	X615R2C2-S100LA5	11.1 21.2 125	-

## VII、Dimensions 尺寸(mm)



# SUBMERGED PUMPS SEWAGE



不锈钢XT型叶轮



## I、Application 应用

Submersible electric pumps in stainless steel AISI 316 are used prevalently for the lifting of aggressive and corrosive liquids in particular for draining away of waste waters originating from chemical industries.

不锈钢 AISI 316 潜水电动泵广泛用于腐蚀性 and 腐蚀性液体泵送。尤其适用于化工厂产生的废水排放。

## II、Construction Data 结构数据

Submersible electric pumps, robust in construction, watertight electric motors accommodated in compartment, connected, by shafts of reduced lengths, to the impellers situated at the pump casing by the interposition of oil chamber between the hydraulic side and the electric motor.

潜水电动泵构造结实，电动机室防水密封，由短轴连接到泵壳内的叶轮上。润滑油室位于泵壳的液压侧与电机之间。

## III、Materials 材料

Motor Housing	电机外壳	Stainless Steel AISI 316L	不锈钢 AISI 316L
Impeller	叶轮球形外表	Stainless Steel AISI 316L	不锈钢 AISI 316L
Electric Cable	电缆	Neoprene H07RN-F	氯丁橡胶 H07RN-F
Shaft	轴	Stainless Steel AISI 316L	不锈钢 AISI 316L
O-Ring And Lip Seal	O 型环	Viton	氟化橡胶
Bolts	螺栓	A4 class - AISI 316	A4 类 - AISI 316
Mechanical Seal	机械密封	Silicon Carbide / Silicon /Viton	碳化硅/氟化橡胶/氟化橡胶

VQ

D

V

S

M

H

C

T

P

XD

XV

XC

XT

BD

BV

BC

Installation

Vx

VW

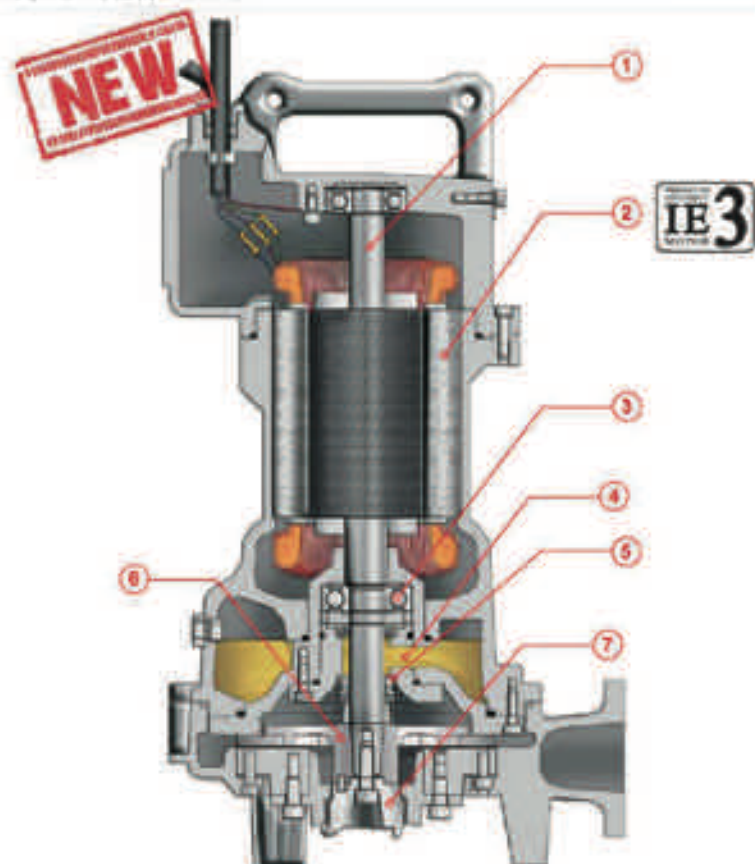
附录

# SUBMERGED SEWAGE PUMP

VQ VQN VQD / 不锈钢污水泵

## IV、Features 特点

Submersible electric pumps with grinder in stainless steel AISI 316 2 poles  
带粉碎机潜水电泵/2极 (2900rpm) / 不锈钢 AISI 316



- 1 Shafts grinded down in ball bearings and mechanical seals seats, over-dimensioned respect to standard parameters of use.
- 2 Motor asynchronous three-phase squirrel cage type, insulation class H(180 ° C). Dry motor, cooled by surrounding liquid. Protection degree IP 68. The motor is projected for continuous or intermittent operation, with a maximum of 15 starts per hour at regular intervals. The motor is projected for working with 5% maximum voltage unbalance between phases.
- 3 Ball bearings overdimensioned, life lubricated, maintenance free.
- 4 Oil chamber oil lubricates and cools the seals and emulsifies eventual water infiltration. This electric pump has two types of seals for a perfect insulation between the electric motor and the pumped liquid. Upper seal: mechanical, ceramic / graphite.
- 5 Lower seal: mechanical, Silicon Carbide / Silicon Carbide / Viton.
- 6 Impellers are projected in order to guarantee and assure an high hydraulic efficiency and low power consumption.
- 7 Grinder system Stainless Steel AISI 303 of microcasting type.

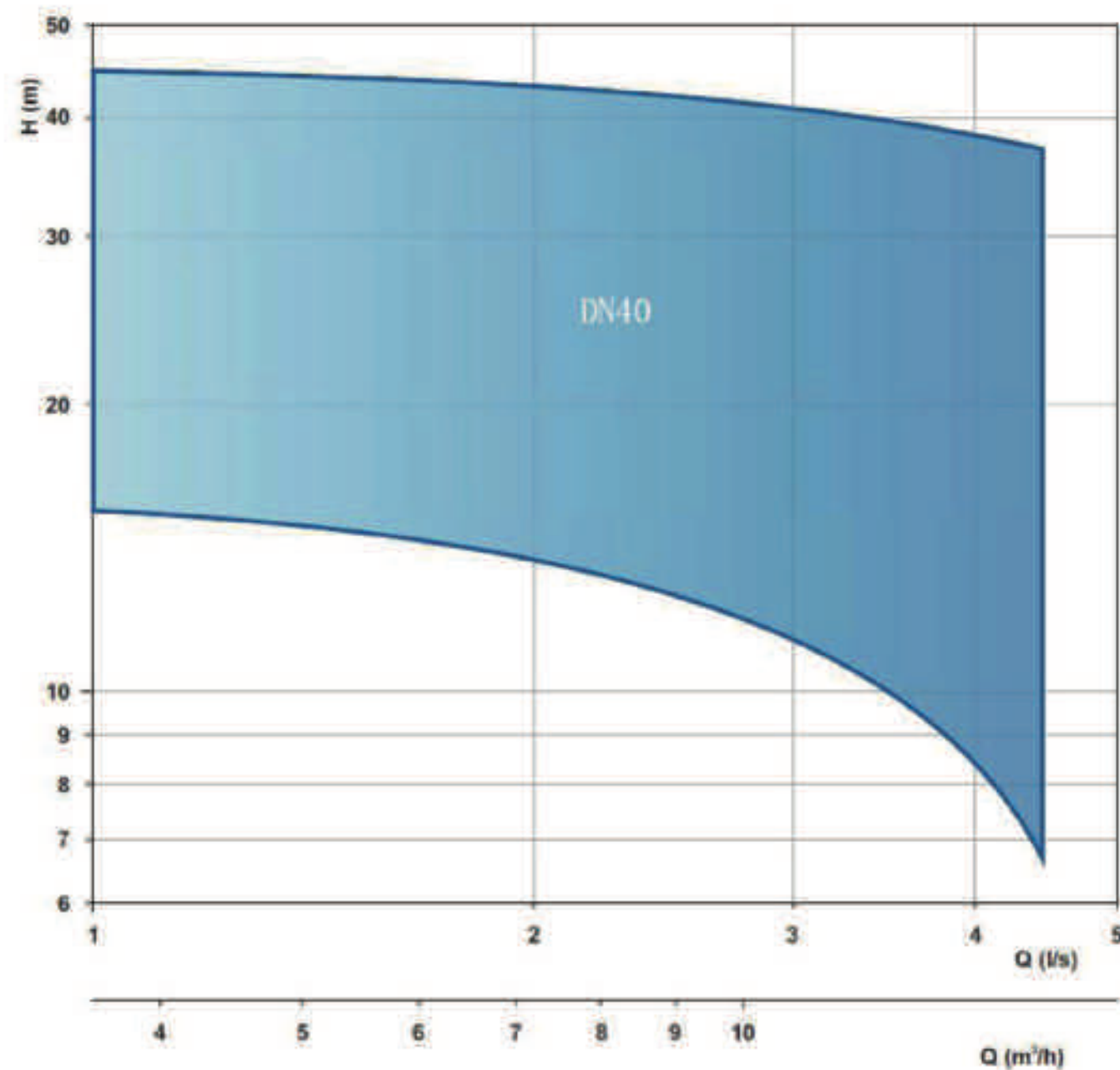
- 1 轴承球轴承压入，机械密封座，尺寸大于标准使用参数。
- 2 异步电机三相鼠笼型，绝缘等级 H(180 ° C)。干电机，由周围液体冷却，防护等级 IP 68。电机用于连续或间歇运行，按固定时间间隔每小时最多启动 15 次。电机用于相间电压不平衡最大为 5% 的工作环境。
- 3 大尺寸球轴承，长效润滑，免维护。
- 4 润滑油室能润滑和冷却密封件并防止乳化水渗透。该泵有两种类型密封件，可在电动机和泵送的液体之间完美绝缘。上部密封：陶瓷/石墨。
- 5 底部密封：机械密封，碳化硅密封。
- 6 叶轮用于保证和确保高液力效率，低功耗。
- 7 粉碎系统微铸型不锈钢 AISI 420。

# SUBMERGED SEWAGE PUMP

VQ VQN VQD / 不锈钢污水泵

## V、Submersible electric pumps with grinder in stainless steel AISI 316 2 poles

带粉碎机潜水电泵/2极 (2900rpm) / 不锈钢 AISI 316

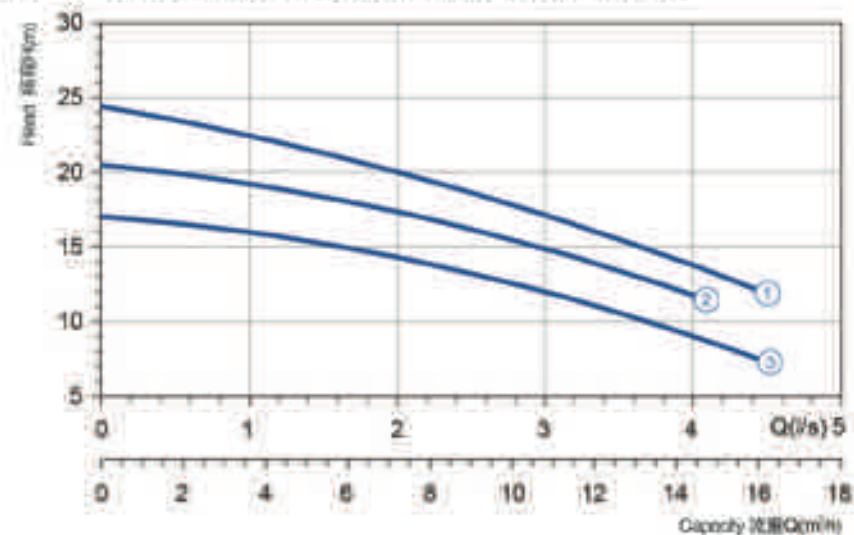


Technical data sheets are available on our web site [www.u-flo.com](http://www.u-flo.com)  
技术数据表可访问我们的网站获取：[www.u-flo.com](http://www.u-flo.com)

# SUBMERGED SEWAGE PUMP

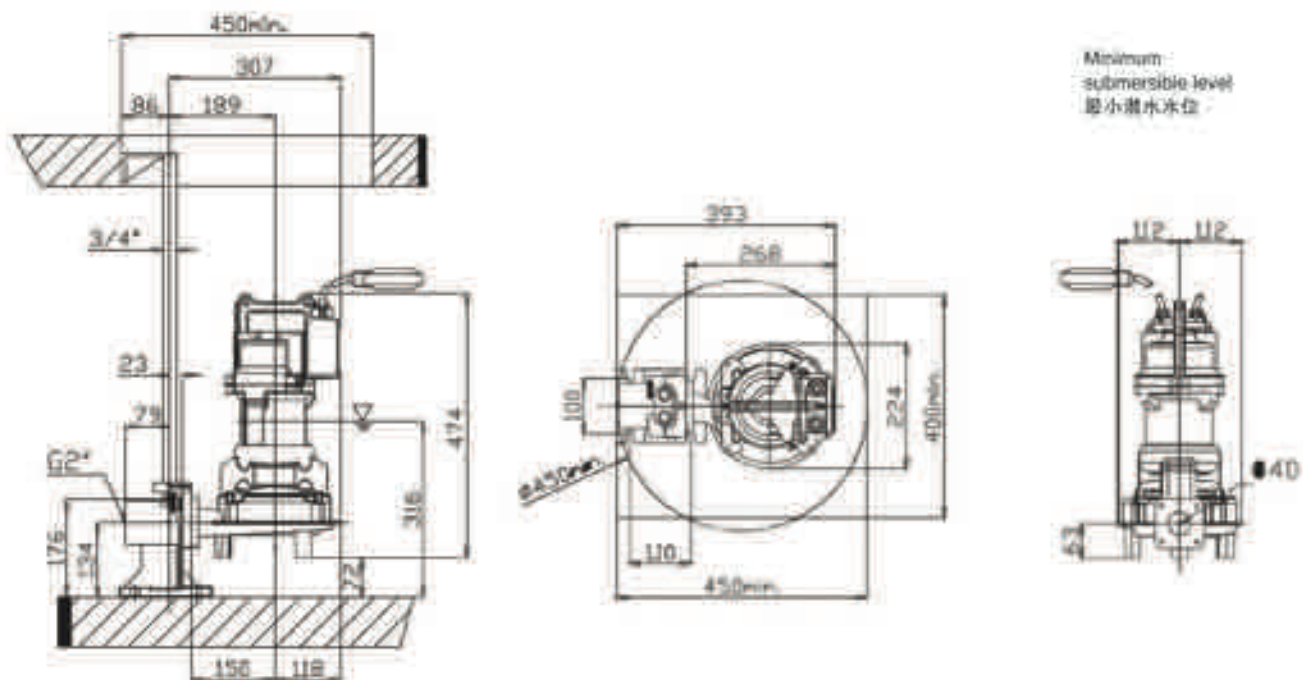
VQ VQN VQD / 不锈钢污水泵

## VI、Performance Curve 性能曲线



电压	110V 220V 50Hz	流量 <sup>1</sup>	代码	型号	功率	额定功率P2 (kW)	额定电流(A)	启动电流(A)	ATEX 认证
每分钟转速	2850	1	7002649	X271M6T1-J6LD7	1.0	11.4	11.4	62.7	-
自由扬程 (mm)	6	2	7002645	X271M6T2-J6LD7	1.5	9	9	33.2	-
排量直径 (mm)	40	3	7008688	X271M6T3-J6LD7	1.1	6.6	6.6	24.4	-
最大重量 (Kg)	49								

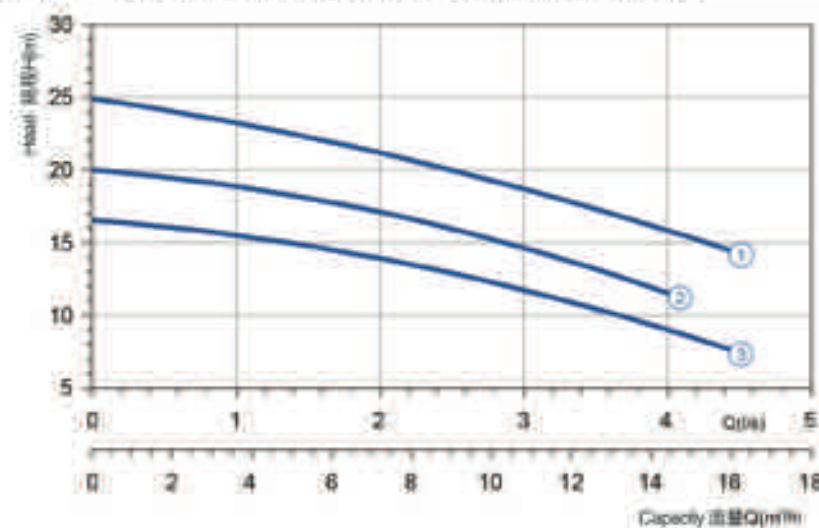
## VII、Dimensions 尺寸(mm)



# SUBMERGED SEWAGE PUMP

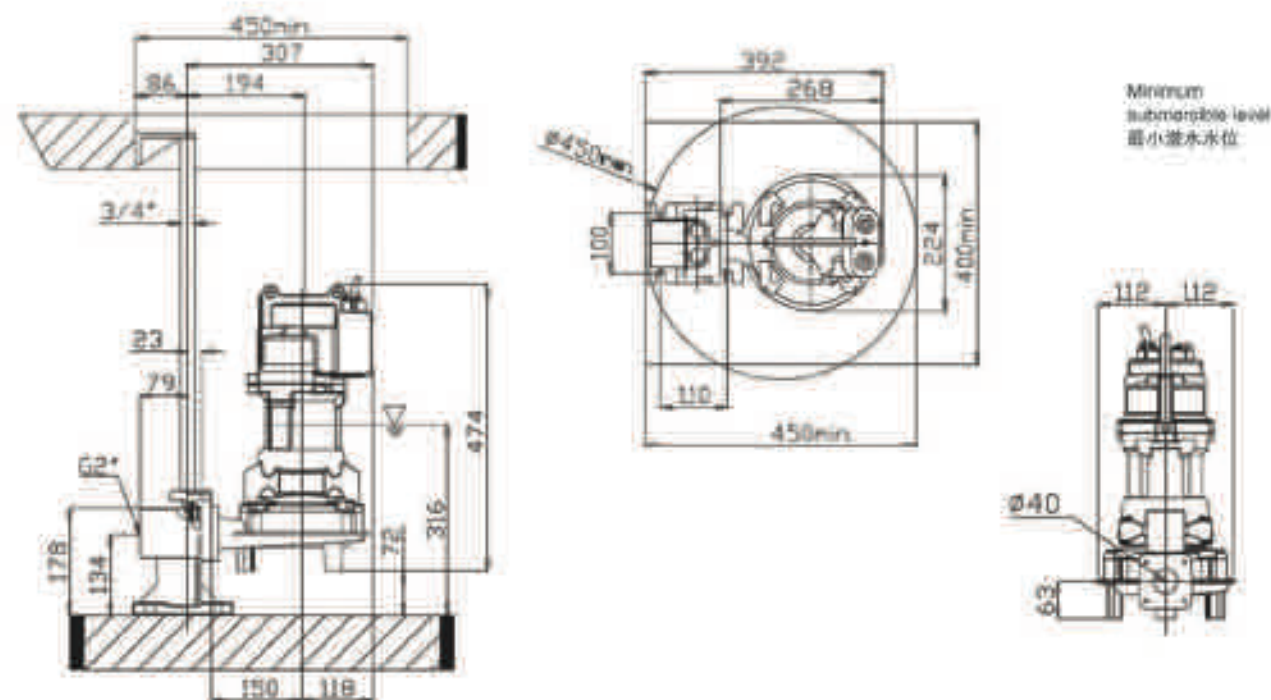
VQ VQN VQD / 不锈钢污水泵

## VI、Performance Curve 性能曲线



电压	380V 400V 50V 50Hz	流量 <sup>1</sup>	代码	型号	功率	额定功率P2 (kW)	额定电流(A)	启动电流(A)	ATEX 认证
每分钟转速	2850	1	7002650	X271T6T1-J6LA4	2.4	4.5	26.6	7000668	
自由扬程 (mm)	6	2	7002646	X271T6T2-J6LA4	1.6	3.1	15.2	7008151	
排量直径 (mm)	40	3	7002643	X271T6T3-J6LA4	1.6	3.1	15.2	7008156	
最大重量 (Kg)	47								

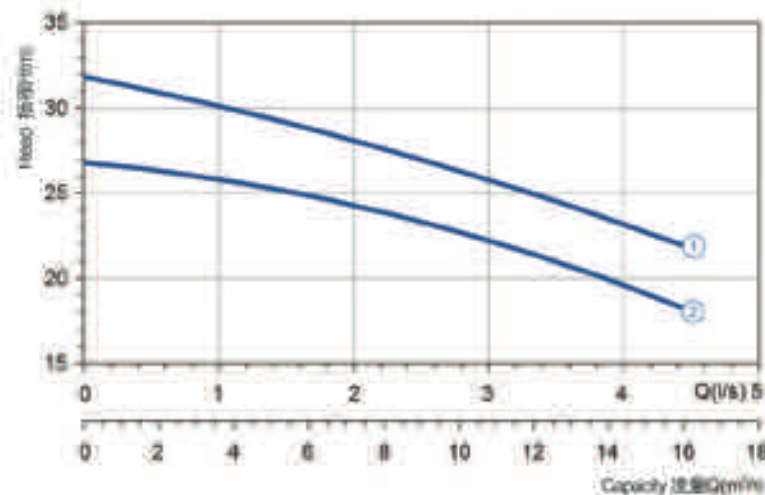
## VII、Dimensions 尺寸(mm)



# SUBMERGED SEWAGE PUMP

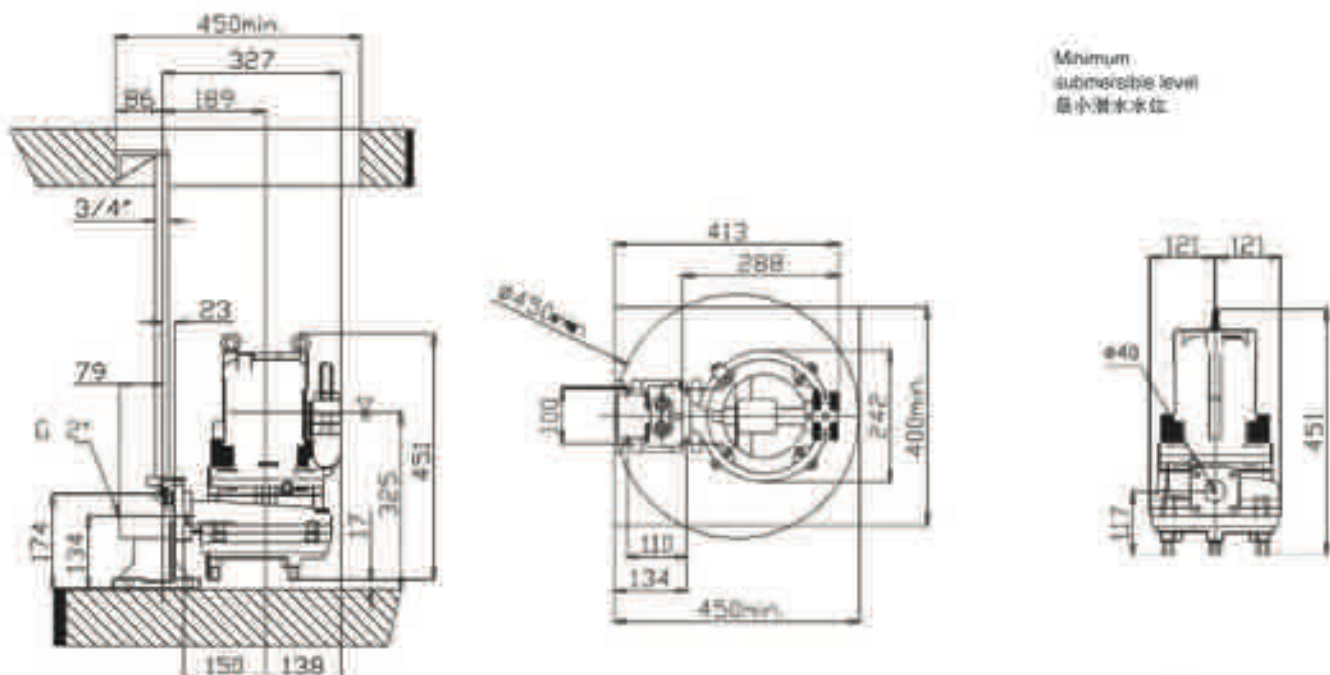
VQ VQN VQD / 不锈钢污水泵

## VI、Performance Curve 性能曲线



电源	3ph 400V 50Hz	电机	材料	型号	电机			ATEX 认证
每分钟转速	2850				额定功率 (kW)	额定电压 (V)	额定电流 (A)	
自由扬程 (mm)	7	1	7002955	X209T8T1-J7LA4	5.1	5.8	34.2	7006167
接管直径 (mm)	40	2	7002952	X209T8T2-J7LA4	5.1	5.8	34.2	7007097
最大重量 (Kg)	63							

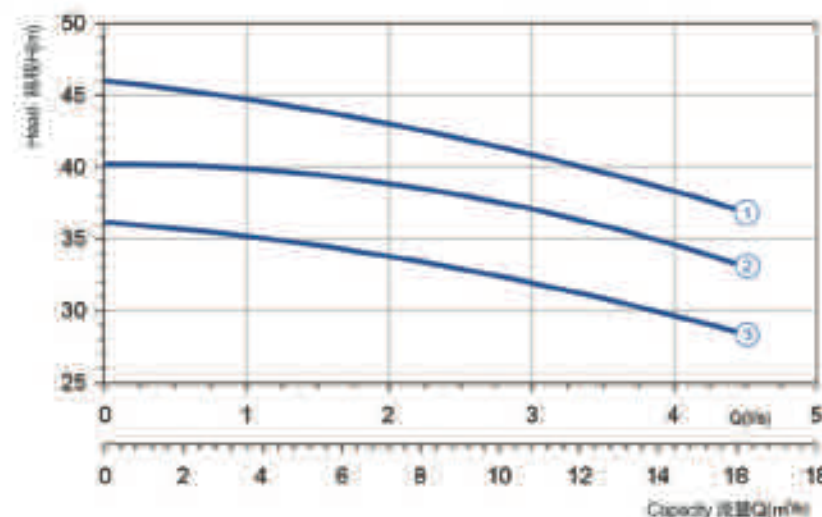
## VII、Dimensions 尺寸(mm)



# SUBMERGED SEWAGE PUMP

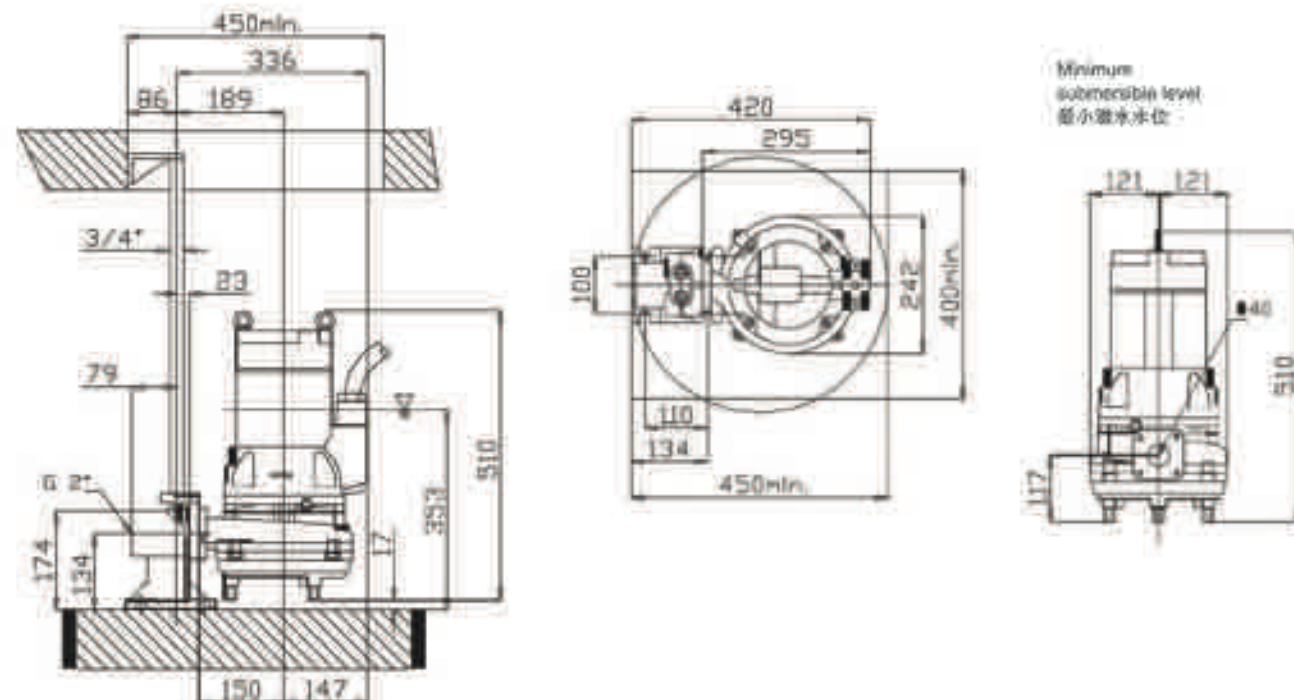
VQ VQN VQD / 不锈钢污水泵

## VI、Performance Curve 性能曲线



电源	3ph 400/600V 50Hz	电机	电机			ATEX 认证		
每分钟转速	2850		额定功率 (kW)	额定电压 (V)	额定电流 (A)			
自由扬程 (mm)	7	1	7002956	X210R6T1-J7LA5	6	8.1	53.7	7006979
接管直径 (mm)	40	2	7002957	X210R6T2-J7LA5	4.2	7.7	45.4	7006164
最大重量 (Kg)	73	3	7002956	X210R6T3-J7LA5	4.2	7.7	45.4	7007686

## VII、Dimensions 尺寸(mm)



- VG
- D
- V
- S
- M
- H
- C
- T
- P
- XD
- XV
- XG
- XT
- BQ
- BV
- BC
- Installation
- Vx
- VW
- 附录

Bronze Marine – Bronze aluminium  
船用青铜 – 青铜铝合金



## Submersible electric pumps in marine bronze 船用青铜制潜水电动泵

The standard range in bronze goes from 0.5 kW to 65 kW with  
the possibility to realize pumps according to the client request.  
青铜泵的标准范围包括 0.5 kW 至 65 kW，可根据客户要求定制。



## SUBMERGED SEWAGE PUMP VQ SERIES

SUBMERGED  
PUMPS SEWAGE  
VQ

铜质BD型叶轮



## I、Application 应用

Submersible electric pumps in marine bronze are used prevalently for cleaning of waste waters originating from chemical installations, agricultural and alimentary fields.

船用青铜潜水电泵广泛用于化工设施、农业和食品业的废水清理。

## II、Construction Data 结构数据

Submersible electric pumps, robust in construction, watertight electric motors accommodated in compartment, connected, by shafts of reduced lengths, to the impellers situated at the pump casing by the interposition of oil chamber between the hydraulic side and the electric motor.

潜水电泵构造结实，电动机室防水密封，由短轴连接到泵壳内的泵轮上，润滑油室位于泵壳的液压侧与电机之间。

## III、Materials 材料

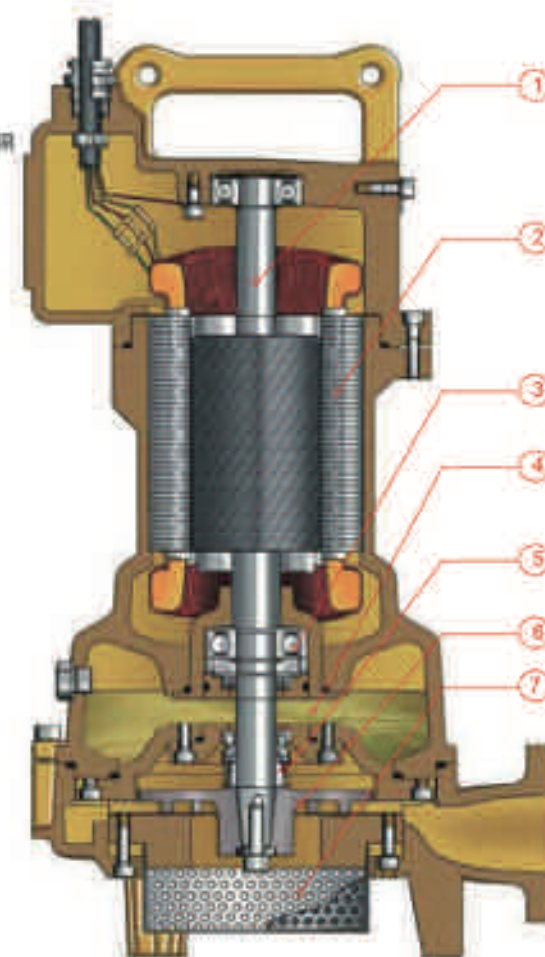
Motor Housing	电机外壳	Marine Bronze	船用青铜
Impeller	叶轮/球型外壳	Stainless Steel AISI 316L	不锈钢 AISI 316L
Electric Cable	电缆	Neoprene H07FNF	氯丁橡胶 H07FNF
Shaft	轴	Stainless Steel AISI 316L	不锈钢 AISI 316L
O-Rings And Lip Seal	O 形环和唇形密封	Nitrile	丁腈橡胶
Bolt	螺栓	A4 class - AISI 316	A4 类 - AISI 316
Mechanical Seal	机械密封	Silicon Carbide / Silicon Carbide	碳化硅/碳化硅

## SUBMERGED SEWAGE PUMP

VQB / 铜质污水泵

## IV、Features 特点

Submersible electric pumps for drainage in Marine Bronze 2 poles  
潜水潜水电泵 2 极 (2900rpm) / 船用青铜



- 1 Shaft** grided down in ball bearings and mechanical seals seats over-dimensioned respect to standard parameters of use.
- 2 Motor** asynchronous three-phase squirrel cage type, insulation class H(180 ° C), Dry motor, cooled by surrounding liquid. Protection degree IP 68. The motor is projected for continuous or intermittent operation, with a maximum of 15 starts per hour at regular intervals. The motor is projected for working with 5% maximum voltage unbalance between phases.
- 3 Ball bearings** overdimensioned, life lubricated, maintenance free.
- 4 Oil chamber** oil lubricates and cools the seals and emulsifies eventual water infiltrations. This electric pump has two types of seals for a perfect insulation between the electric motor and the pumped liquid. Upper seal: lip seal NBR.
- 5 Lower seal:** mechanical, Silicon Carbide / Silicon Carbide.
- 6 Impellers** are projected in order to guarantee and assure an high hydraulic efficiency and low power consumption.
- 7 The screen protection** is typical of this type of pump. It is put in the suction side in order to prevent clogging of hydraulic parts during functioning.

- 1 轴** 球轴承压入，机械密封座，尺寸大于标准使用参数。
- 2 异步电机** 三相鼠笼型，绝缘等级 H(180 ° C)，干电机，由周围液体冷却，防护等级 IP 68。电机用于连续或间歇运行，按固定时间间隔每小时最多启动 15 次。电机用于相间电压不平衡最大为 5% 的工作环境。
- 3 大尺寸球轴承**，长效润滑，免维护。
- 4 润滑油室** 油润滑和冷却密封件并乳化水渗透。该电泵有两种类型密封件，可在电动机和泵送的液体之间完美地密封。顶部密封：唇式密封（丁腈橡胶）。
- 5 底部密封：**机械密封，碳化硅密封/碳化硅密封。
- 6 泵轮** 用于保证和确保高水力效率、低功耗。
- 7 屏幕保护** 是这种类型泵的典型配置。置于吸入侧，防止在运行过程中堵塞液压件。

VQ

D

V

S

M

H

C

T

P

XD

XV

XC

XT

BD

BV

BC

Installation

VX

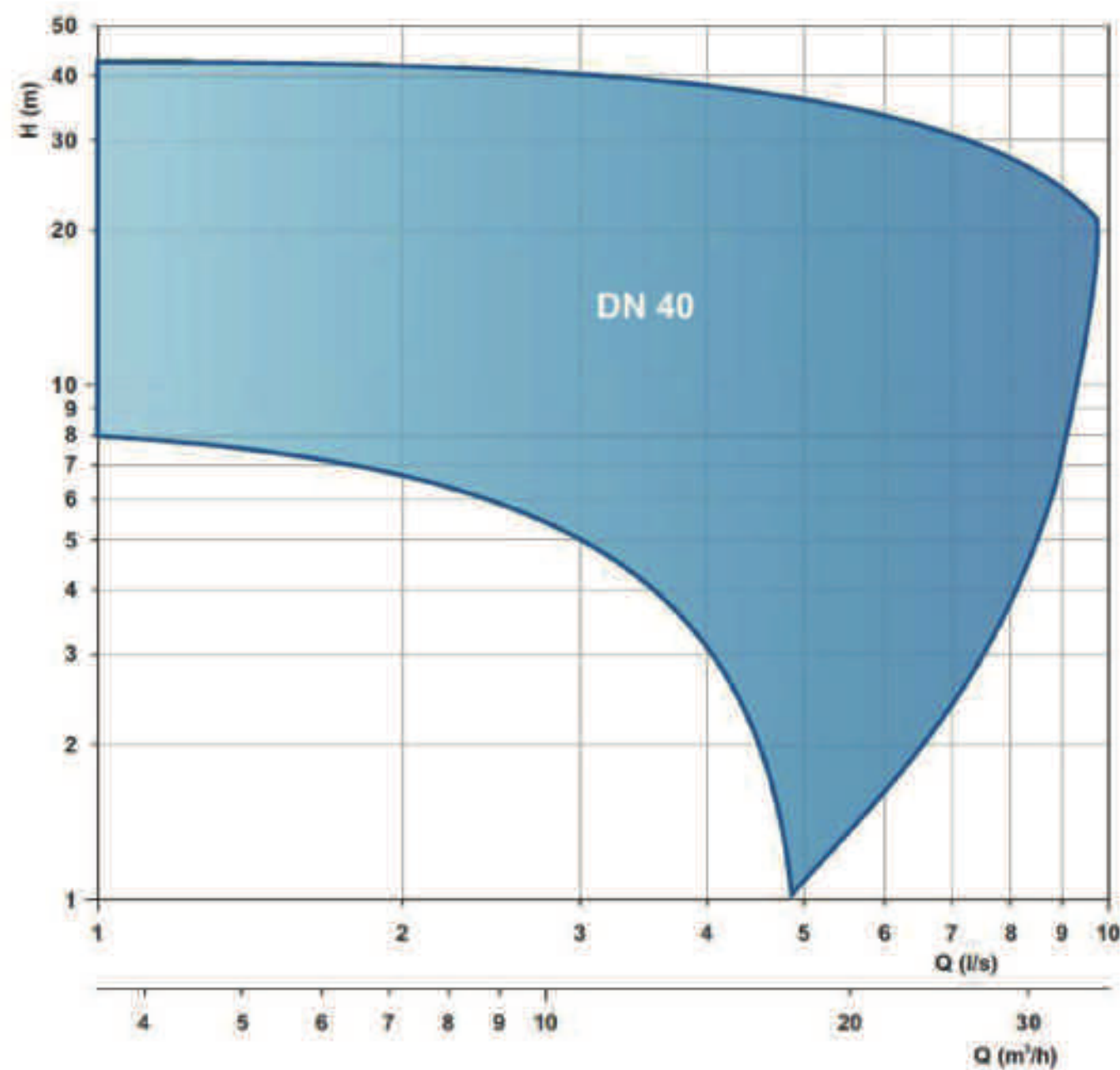
VW

附录

# SUBMERGED SEWAGE PUMP

VQB / 铜质污水泵

V、Submersible electric pumps for drainage in  
Marine Bronze 2 poles  
排水潜水电泵/2极 (2900rpm) /船用青铜

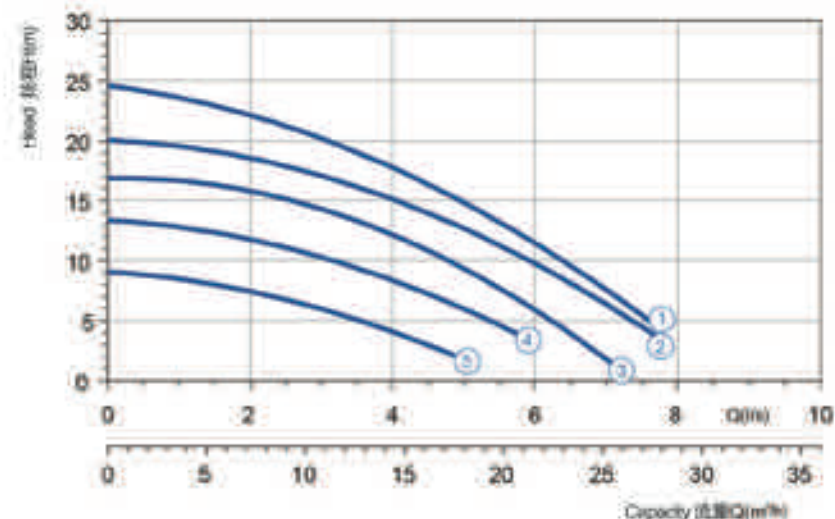


Technical data sheets are available on our web site [www.u-flo.com](http://www.u-flo.com)  
技术数据表可访问我们的网站获取 | [www.u-flo.com](http://www.u-flo.com)

# SUBMERGED SEWAGE PUMP

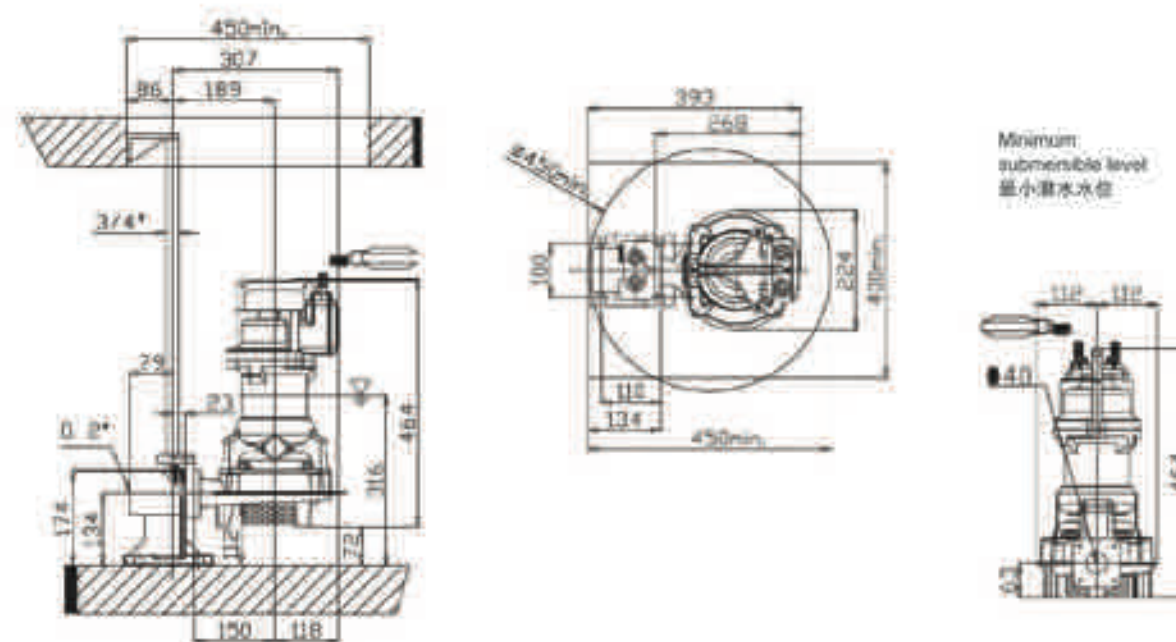
VQB / 铜质污水泵

VI、Performance Curve 性能曲线



电机	1ph 230V/50Hz	电压V	功率	电机			ATEX 认证号
				额定功率P2 (kW)	额定电流 (A)	启动电流Ia (A)	
1	7009659	B271M6D1-J8KB1	1.9	11.4	62.7	7009699	
2	7009661	B271M6D2-J8KB1	1.5	8	33.3	7009699	
3	7009663	B271M6D3-J8KB1	1.5	9	33.3	7009700	
4	7009665	B271M6D4-J8KB1	1.1	6.6	24.4	7009701	
5	7009667	B271M6D5-J8KB1	0.8	4.8	18.1	7009702	

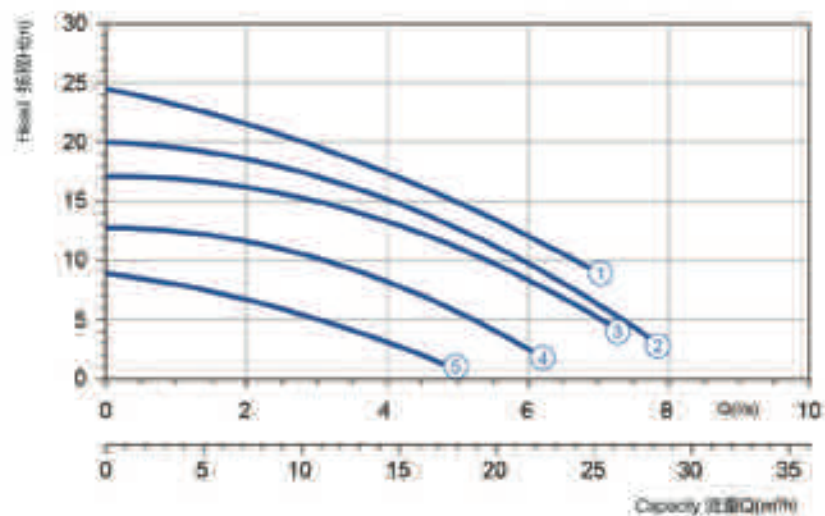
VII、Dimensions 尺寸(mm)



# SUBMERGED SEWAGE PUMP

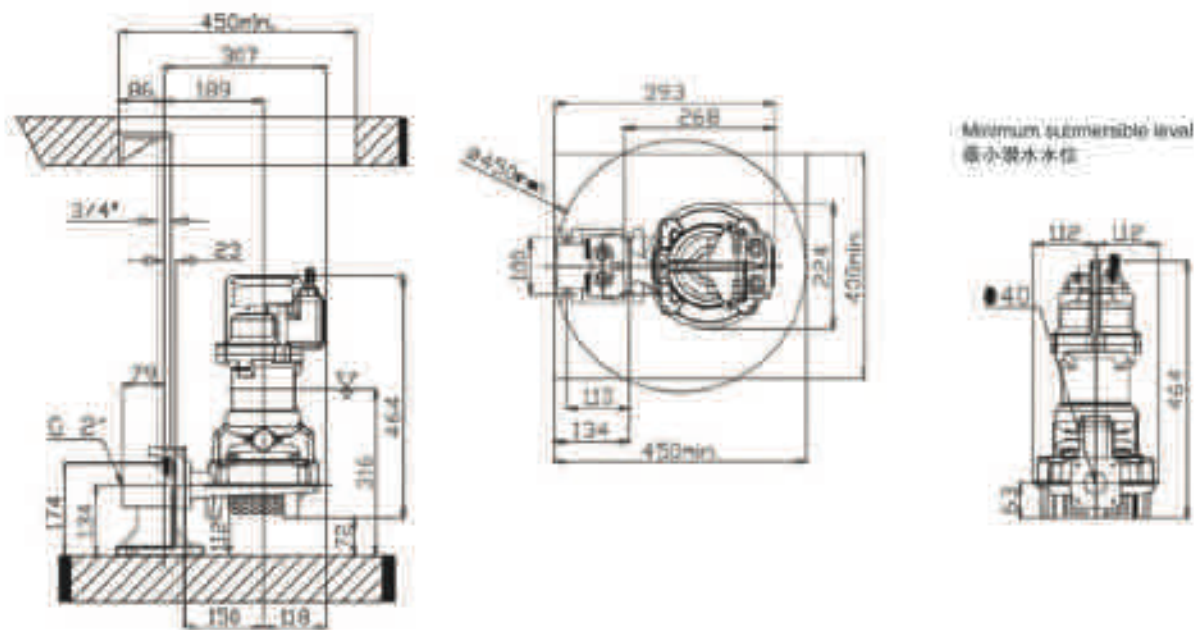
VQB / 铜质污水泵

## VI、Performance Curve 性能曲线



电机 每分钟转速	3~h 400V 50Hz 2830	电动机 代号	型号	电机			ATEX 认证	
				额定功率P2 (kW)	额定电流 I(A)	启动电流 I(A)		
自由流量 (mm)	8	1	7003660	B271T6D1-J6KA0	2.4	4.5	26.6	7003668
排管直径 (mm)	DN 40	2	7003662	B271T6D2-J6KA0	1.8	3.1	15.2	7003669
最大重量 (Kg)	56	3	7003664	B271T6D3-J6KA0	1.6	3.1	15.2	7003690
		4	7003666	B271T6D4-J6KA0	1.8	3.1	15.2	7003691
		5	7003668	B271T6D5-J6KA0	1.4	2.7	13.2	7003692

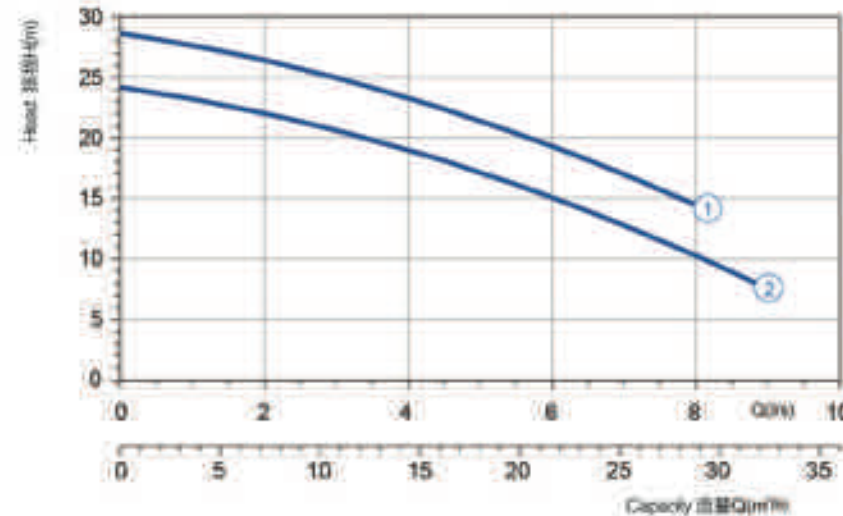
## VI、Dimensions 尺寸(mm)



# SUBMERGED SEWAGE PUMP

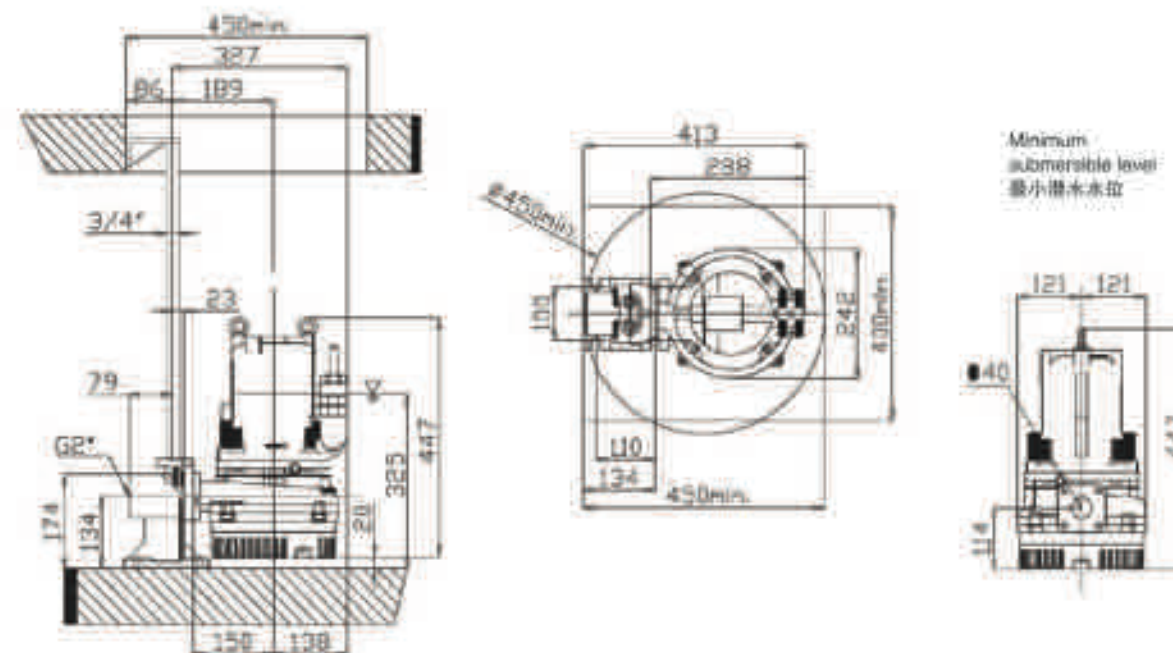
VQB / 铜质污水泵

## VI、Performance Curve 性能曲线



电机 每分钟转速	3~h 400V 50Hz 2830	电动机 代号	型号	电机			ATEX 认证	
				额定功率P2 (kW)	额定电流 I(A)	启动电流 I(A)		
自由流量 (mm)	7	1	7003657	B208T6D1-J7KA0	3.8	6.6	38.9	7003686
排管直径 (mm)	DN 40	2	7003658	B208T6D2-J7KA0	3.1	5.8	34.2	7003687
最大重量 (Kg)	64							

## VI、Dimensions 尺寸(mm)



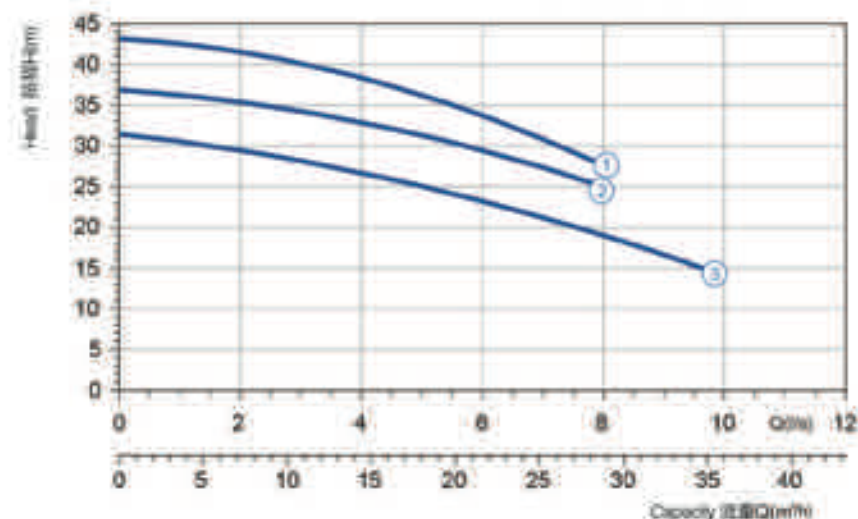
- VQ
- D
- V
- S
- M
- H
- C
- T
- P
- XD
- XV
- XC
- XT
- BD
- BV
- BC
- Installation
- Vx
- VW
- 附录



# SUBMERGED SEWAGE PUMP

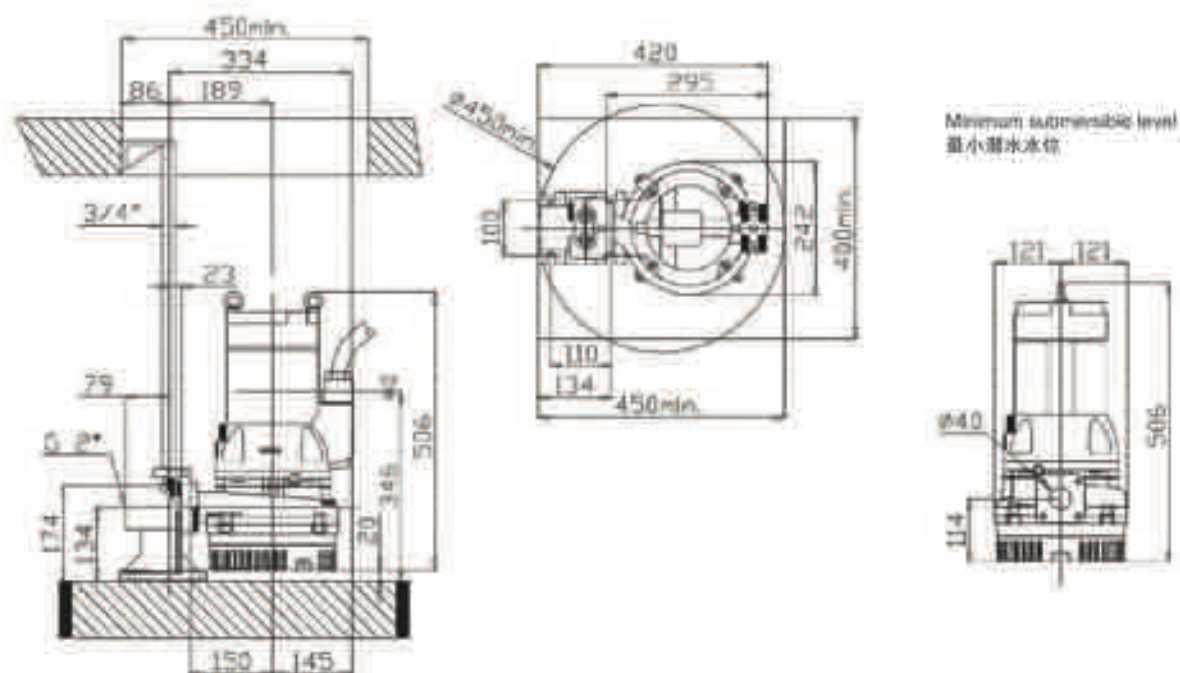
VQB / 铜质污水泵

## VI、Performance Curve 性能曲线



电机	30V AC/0.69V 50Hz	电机号	代号	型号	电机			ATEX (认证)
					额定功率P2 (kW)	额定电流 I(A)	额定电压 U(A)	
额定转速	2850							
自由扬程 (mm)	7	1	7003653	B210R6D1-J7KA2	6	10.9	64.3	7003652
排量直径 (mm)	DN 40	2	7003655	B210R6D3-J7KA2	5	9.1	53.7	7003654
最大重量 (Kg)	78	3	7003656	B210R6D4-J7KA2	4.2	7.7	45.4	7003655

## VII、Dimensions 尺寸(mm)



## SUBMERGED SEWAGE PUMP VQ SERIES

# SUBMERGED PUMPS SEWAGE



铜质BV型叶轮



## I、Application 应用

Submersible electric pumps in marine bronze are used prevalently for cleaning of waste waters originating from chemical installations, agricultural and alimentary fields.

船用青铜潜水电动机广泛用于化工设施、农业和食品业的废水清理。

## II、Construction Data 结构数据

Submersible electric pumps, robust in construction, watertight electric motor accommodated in compartment, connected, by shafts of reduced lengths, to the impellers situated at the pump casing by the interposition of oil chamber between the hydraulic side and the electric motor.

潜水电泵构造结实，电动马达室防水密封，由短轴连接到泵壳内的泵轮上，润滑油室位于泵壳的液室侧与电机之间。

## III、Materials 材料

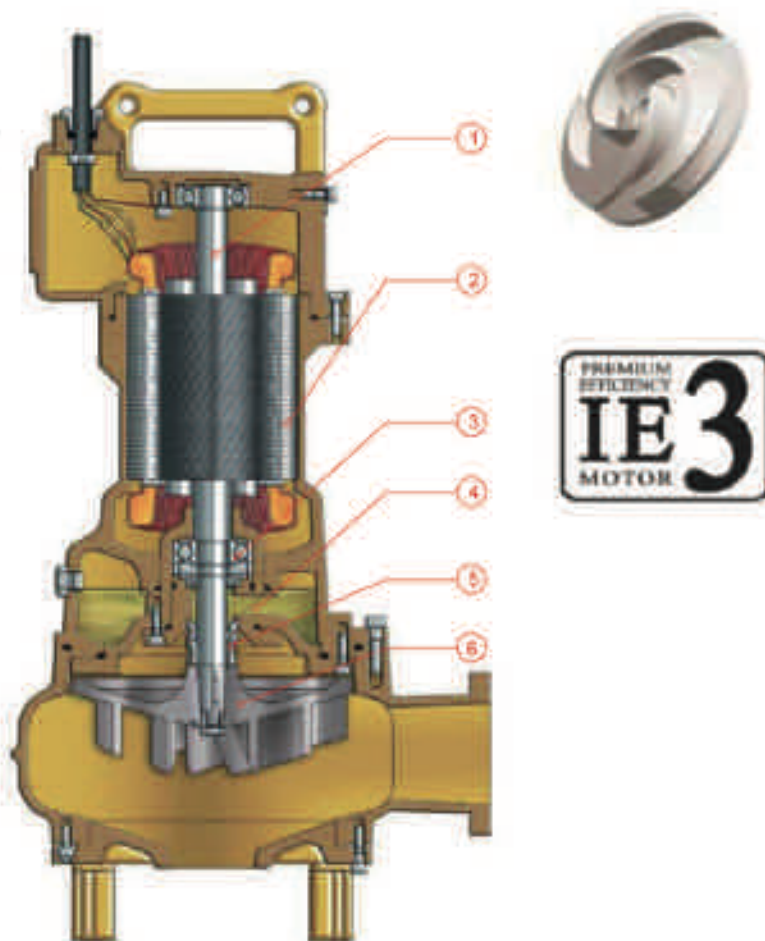
Motor Housing	电机外壳	Marine Bronze	船用青铜
Impeller	叶轮外部壳	Stainless Steel AISI 316L	不锈钢 AISI 316L
Electric Cable	电缆	Neoprene HQ7FNF	氟丁橡胶 HQ7FNF
Shaft	轴	Stainless Steel AISI 316L	不锈钢 AISI 316L
O-Rings And Lip Seal	O 形环和唇形密封	Nitrile	T 型橡胶
Bolt	螺栓	A4 class - AISI 316	A4 类 - AISI 316
Mechanical Seal	机械密封	Silicon Carbide / Silicon Carbide	碳化硅/碳化硅

# SUBMERGED SEWAGE PUMP

VQB / 铜质污水泵

## IV、Features 特点

Submersible electric pumps vortex in  
Marine Bronze 2/4 poles  
涡流潜水电泵 / 2-4 极 (2900rpm-1450rpm)  
/ 船用青铜



- 1 Shafts grinded down in ball bearings and mechanical seals seats; over-dimensioned respect to standard parameters of use.
  - 2 Motor: asynchronous three-phase squirrel cage type, insulation class H(180 ° C). Dry motor, cooled by surrounding liquid. Protection degree IP 68. The motor is projected for continuous or intermittent operation, with a maximum of 15 starts per hour at regular intervals. The motor is projected for working with 5% maximum voltage unbalance between phases.
  - 3 Ball bearings: overdimensioned, life lubricated, maintenance free.
  - 4 Oil chamber: oil lubricates and cools the seals and omulifies eventual water infiltrations. This electric pump has two types of seals for a perfect insulation between the electric motor and the purport liquid. Upper seal: lip seal NBR.
  - 5 Lower seal: mechanical, Silicon Carbide / Silicon Carbide.
  - 6 Impellers: are projected in order to guarantee and assure an high hydraulic efficiency and low power consumption, they have big inter-blades and diffuser free passages, minimum blades number, special blades design, especially diffusers' water-cutter blades designed to avoid filamentous materials catching.
- 1 轴承球轴承压入，机械密封座，尺寸大于标准使用参数。
- 2 异步电机三相鼠笼型，绝缘等级 H(180 ° C)，干电机，由周围液体冷却，防护等级 IP 68。电机用于连续或间歇运行，按固定时间间隔每小时最多启动 15 次。电机用于相间电压不平衡最大为 5% 的工作环境。
- 3 大尺寸滚珠轴承，长效润滑，免维护。
- 4 润滑油室：油润滑和冷却密封件并防止乳化水渗透。该电泵有两种类型密封件，可在电动机和泵送的液体之间完美绝缘。顶部密封：唇式密封（丁腈橡胶）。
- 5 底部密封：机械密封，碳化硅密封。
- 6 泵轮用于保证和确保高水力效率、低功耗。泵轮有大内叶片和扩压器自由通道。最小叶片数、特殊的叶片设计，特别是扩压器的水刀刀片设计，可避免丝状材料缠绕。

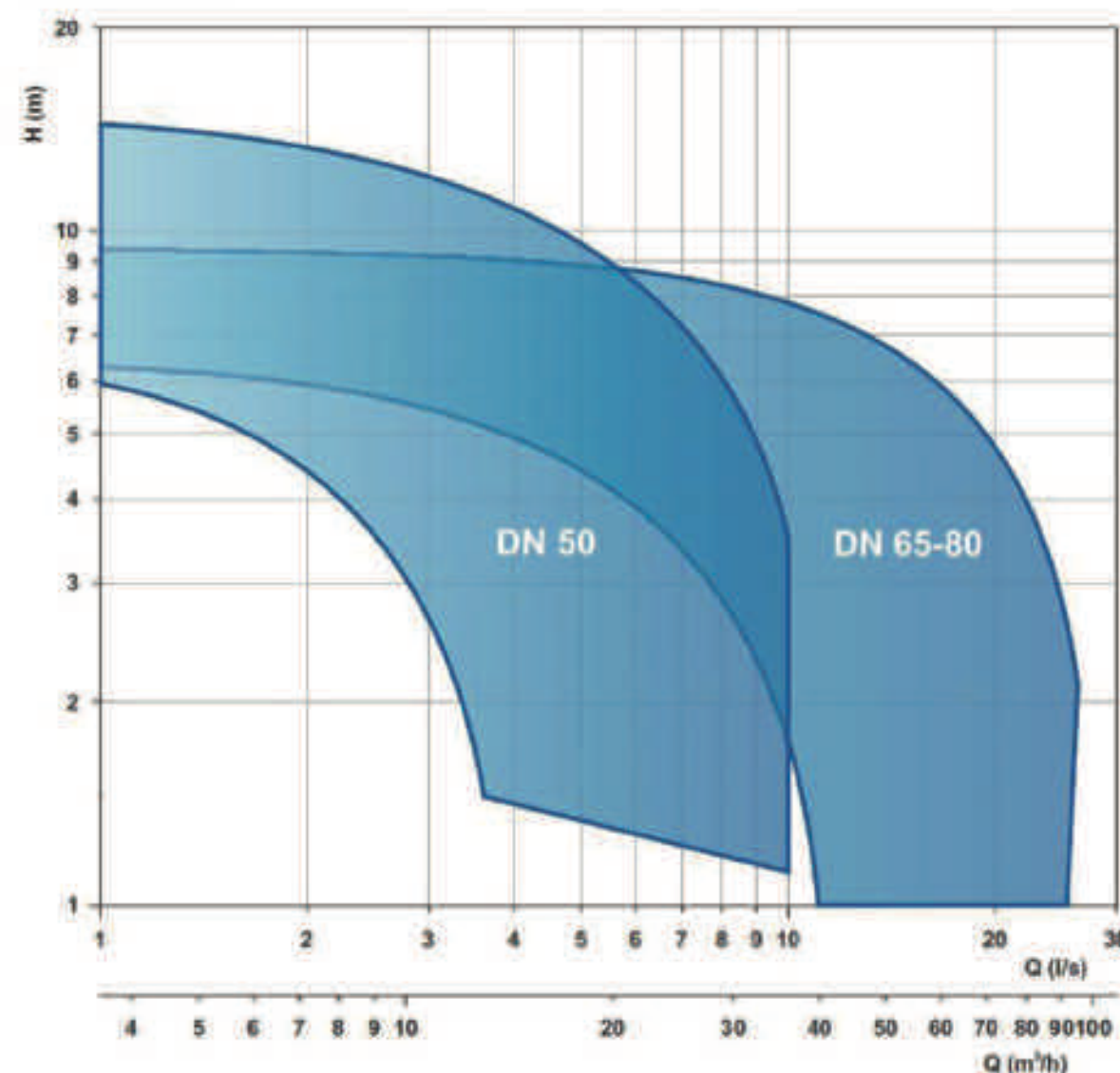
# SUBMERGED SEWAGE PUMP

VQB / 铜质污水泵

## V、Submersible electric pumps vortex in Marine

Bronze 2/4 poles

涡流潜水电泵 / 2-4 极 (2900rpm-1450rpm)  
/ 船用青铜

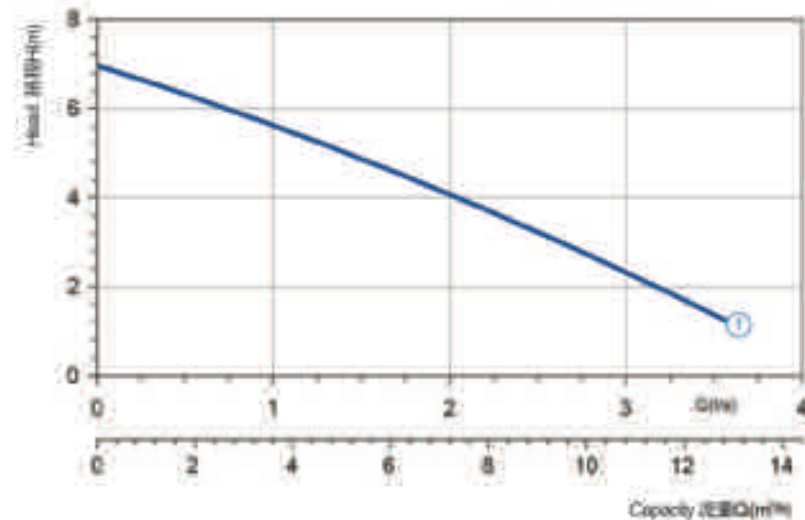


Technical data sheets are available on our web site [www.u-flo.com](http://www.u-flo.com)  
技术数据表可访问我们的网站获取：[www.u-flo.com](http://www.u-flo.com)

# SUBMERGED SEWAGE PUMP

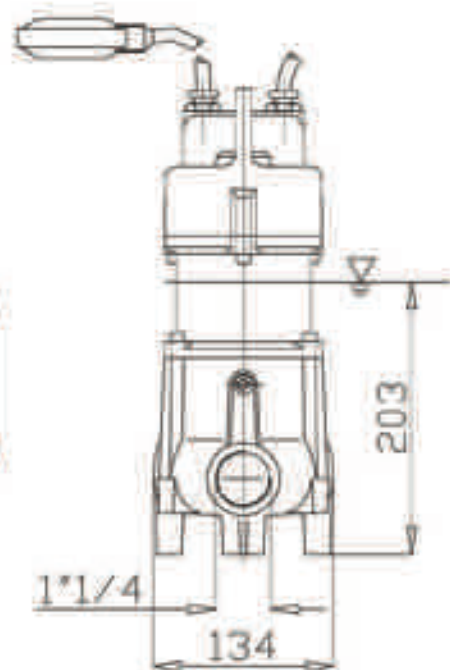
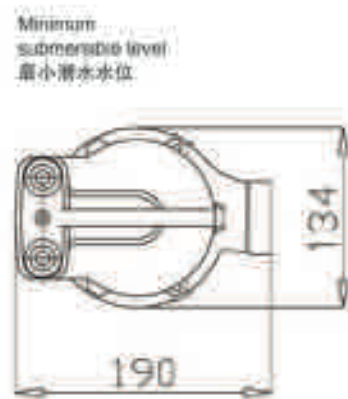
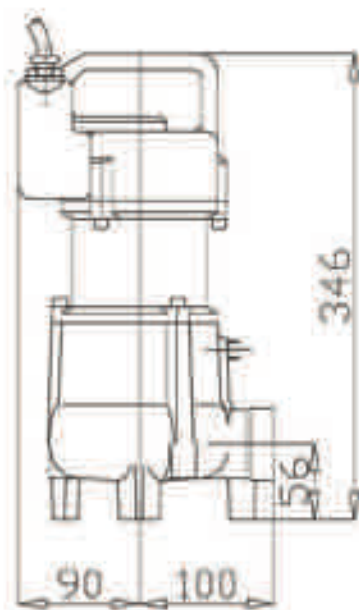
VQB / 铜质污水泵

## VI、Performance Curve 性能曲线



电机	1.6 200V 50Hz	电机	电机			ATEX 认证		
每分钟转速	2850	规格	代码	型号	额定功率 (kW)	额定电压 (V)	额定电流 (A)	ATEX 认证
出口通径 (mm)	30	1	7000971	B206M0V1-030H81	0.5	3.2	11.8	-
接管直径 (mm)	1 1/4							
最大重量 (Kg)	15							

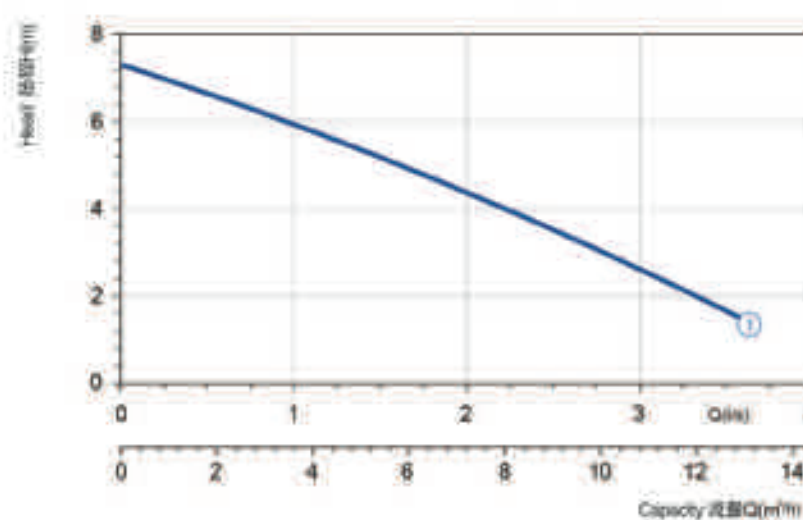
## VII、Dimensions 尺寸(mm)



# SUBMERGED SEWAGE PUMP

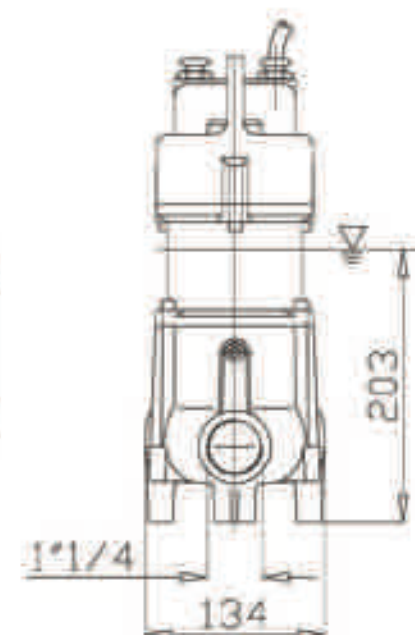
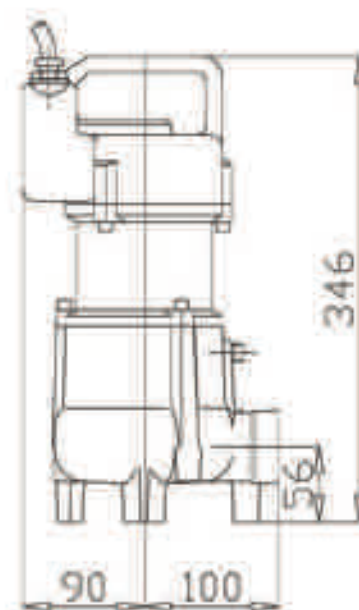
VQB / 铜质污水泵

## VI、Performance Curve 性能曲线



电机	3pH 400V 50Hz	电机	电机			ATEX 认证		
每分钟转速	2850	规格	代码	型号	额定功率 (kW)	额定电压 (V)	额定电流 (A)	ATEX 认证
出口通径 (mm)	30	1	7001482	B206T0V1-030HA0	0.5	1	4.5	-
接管直径 (mm)	1 1/4							
最大重量 (Kg)	15							

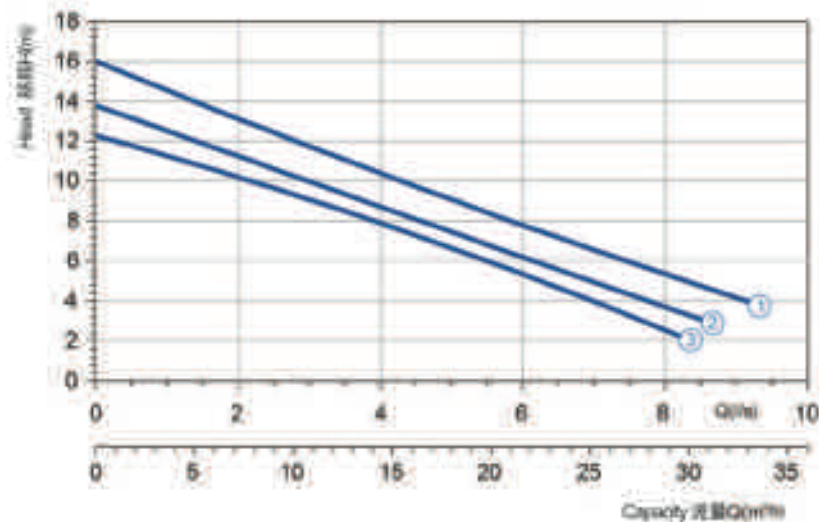
## VII、Dimensions 尺寸(mm)



# SUBMERGED SEWAGE PUMP

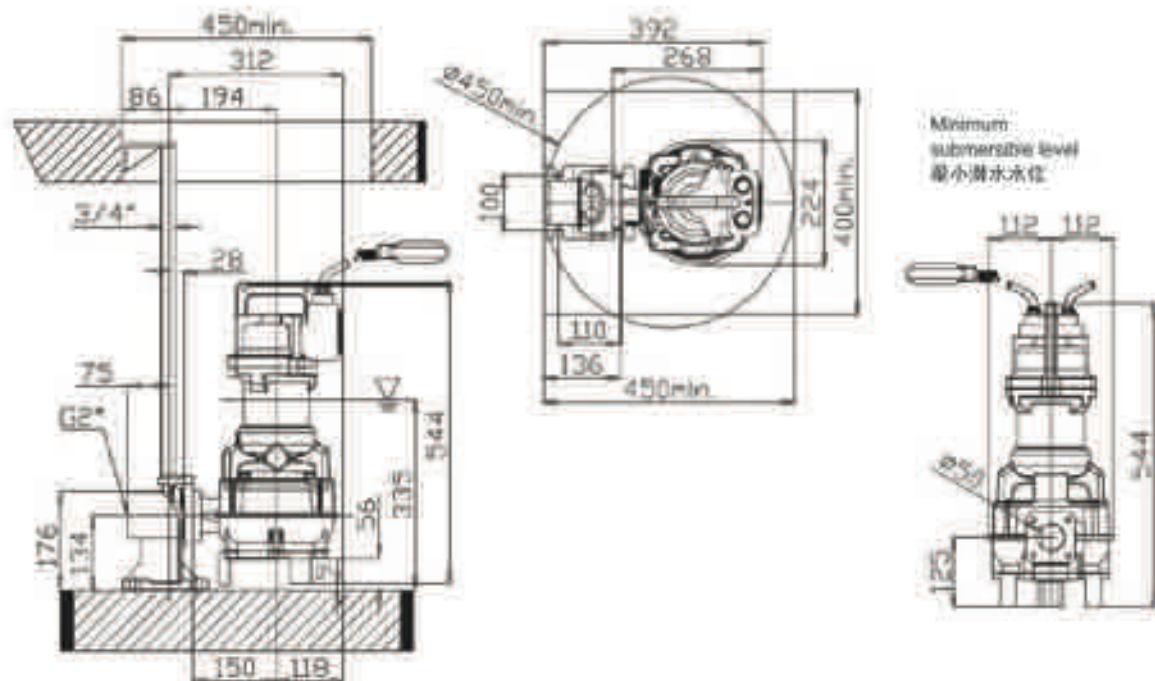
VQB / 铜质污水泵

## VI、Performance Curve 性能曲线



电压	10A 230V 50Hz	电压V	代码	型号	额定功率P2 (kW)	额定电流(A)	额定电压(V)	ATEX 认证号
每分钟转速	2950							
自由通道 (mm)	50	1	7000868	B271M3V1-K50KB1	1.7	10.2	56.1	7000867
排管直径 (mm)	DN 50	2	7000871	B271M3V2-K50KB1	1.5	9	33.3	7000868
最大重量 (Kg)	48	3	7000873	B271M3V3-K50KB1	1.1	6.8	24.4	7000900

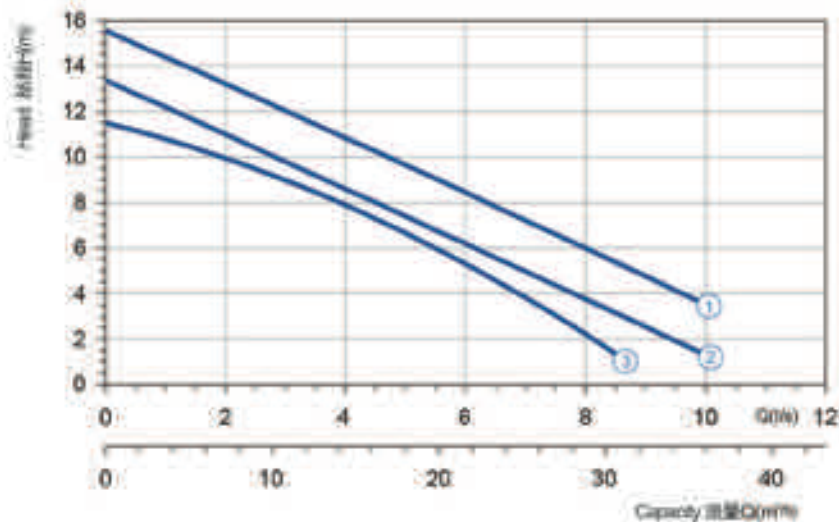
## VII、Dimensions 尺寸(mm)



# SUBMERGED SEWAGE PUMP

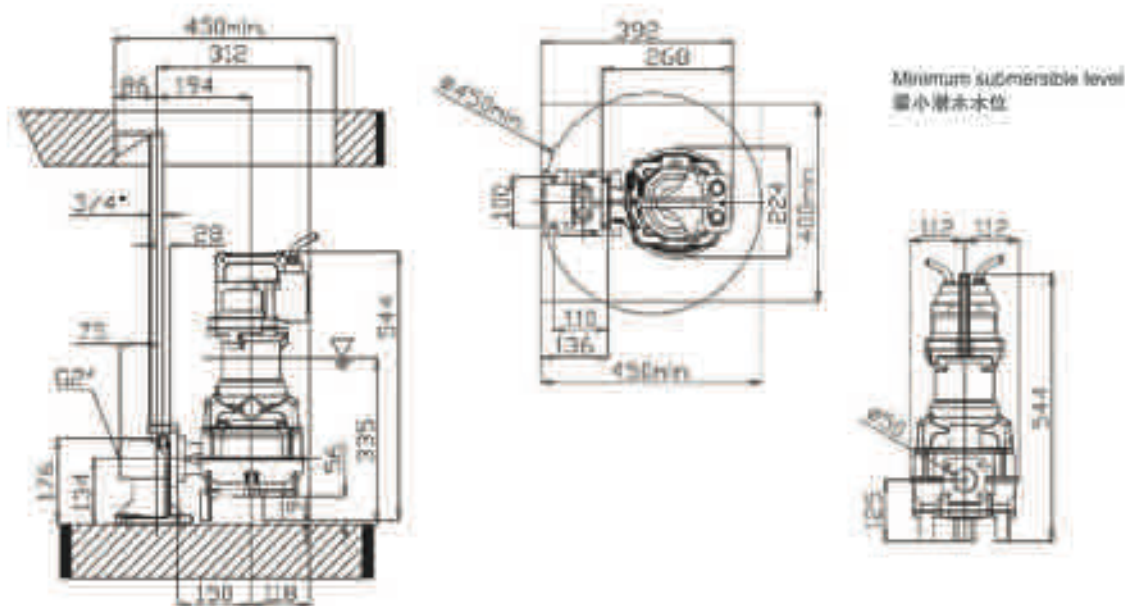
VQB / 铜质污水泵

## VI、Performance Curve 性能曲线



电压	3x 400V 50Hz	电压V	代码	型号	额定功率P2 (kW)	额定电流(A)	额定电压(V)	ATEX 认证号
每分钟转速	2950							
自由通道 (mm)	50	1	7000860	B271T3V1-K50KA0	2.4	4.5	26.6	7000870
排管直径 (mm)	DN 50	2	7000862	B271T3V2-K50KA0	1.8	3.5	17.2	7000866
最大重量 (Kg)	48	3	7000866	B271T3V3-K50KA0	1.6	3.0	17.2	7000897

## VII、Dimensions 尺寸(mm)



VQ

D

V

S

M

H

C

T

P

XD

XV

XC

XT

BD

BV

BC

Installation

VX

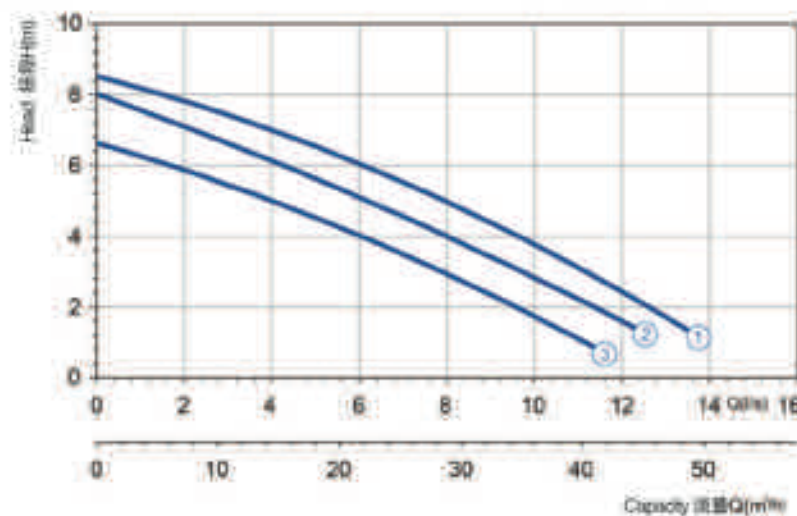
VW

附录

# SUBMERGED SEWAGE PUMP

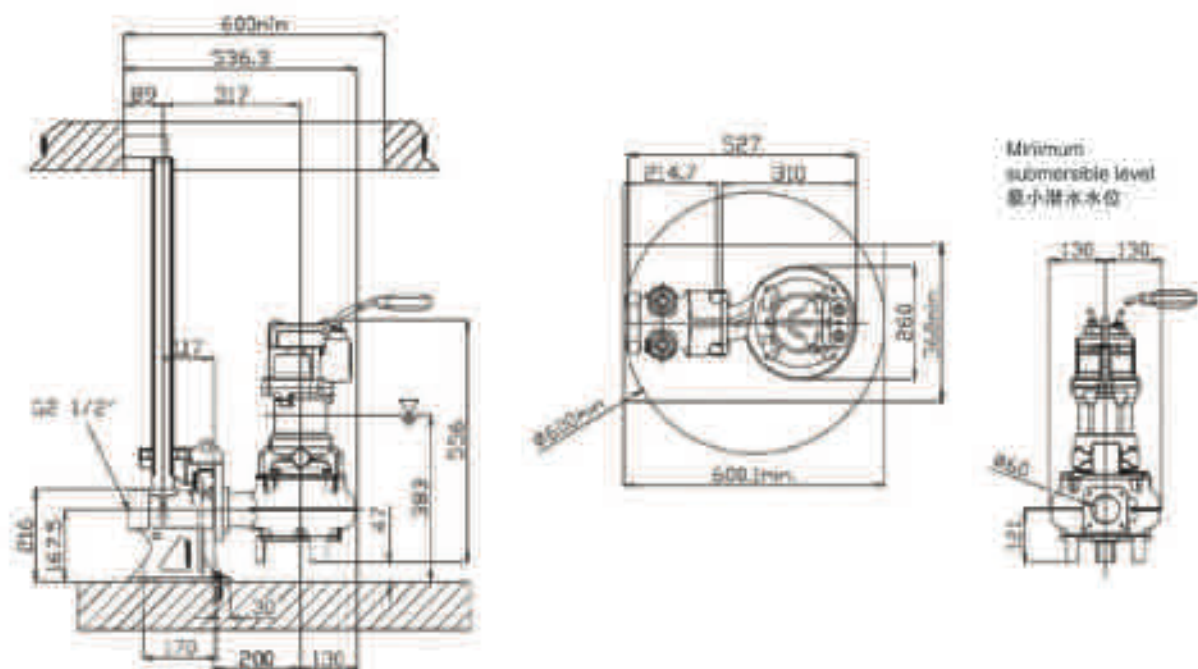
VQB / 铜质污水泵

## VI、Performance Curve 性能曲线



电压	3ph 230V 50Hz	电压V	代码	型号	电机			ATEX 认证号
每分钟转速	1450			额定功率P2 (kW)		额定电流 I(A)	额定电流 I(A)	
自由口径 (mm)	50	1	7006407	B471M8V1-L50KB1	1.4	8.1	40.5	7006408
排量口径 (mm)	DN 65	2	7006405	B471M8V2-L50KB1	1.2	8.8	34.5	7006406
最大重量 (Kg)	48	3	7006403	B471M8V3-L50KB1	1.2	8.8	34.5	7006404

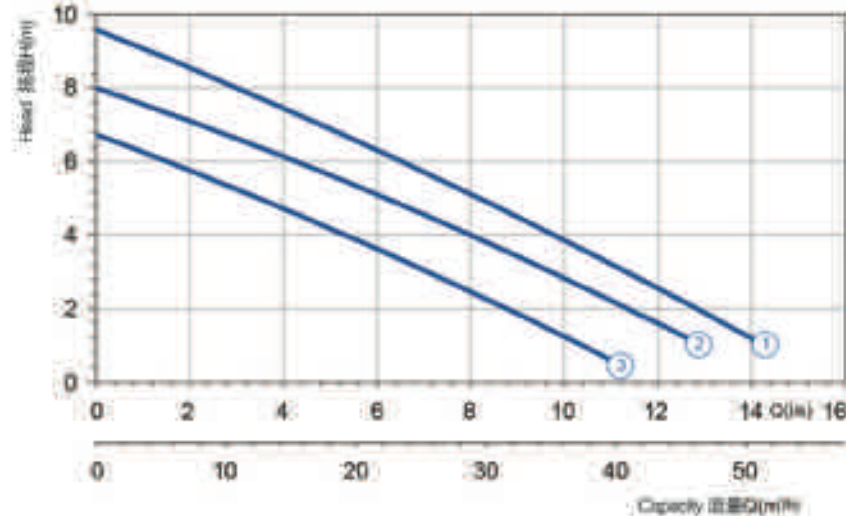
## VII、Dimensions 尺寸(mm)



# SUBMERGED SEWAGE PUMP

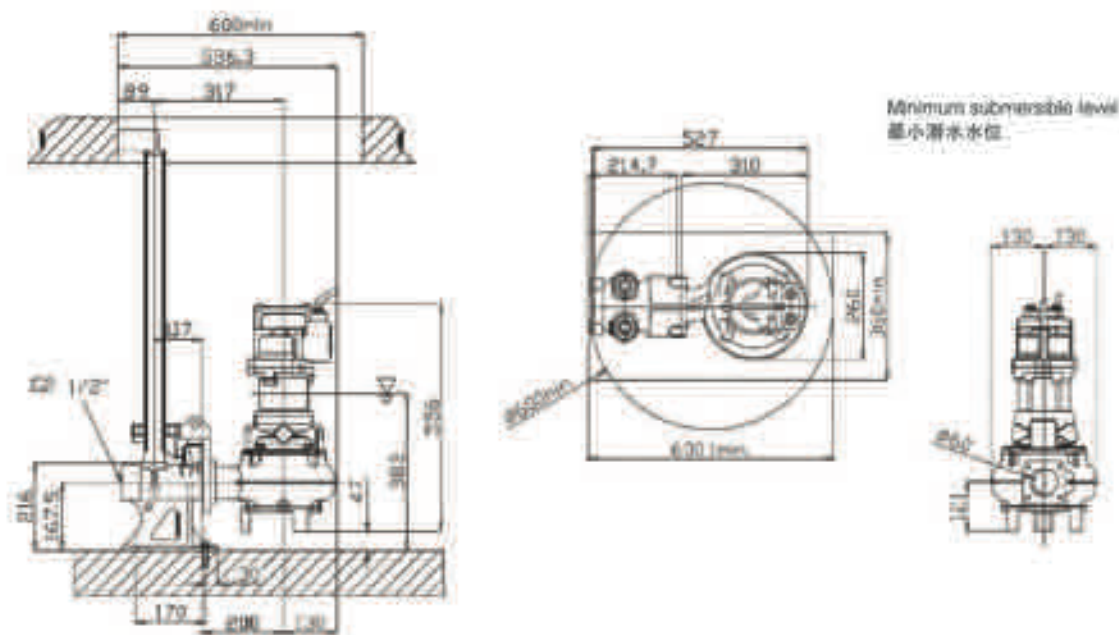
VQB / 铜质污水泵

## VI、Performance Curve 性能曲线



电压	3ph 400V 50Hz	电压V	代码	型号	电机			ATEX 认证号
每分钟转速	1450			额定功率P2 (kW)		额定电流 I(A)	额定电流 I(A)	
自由口径 (mm)	50	1	7002655	B471T6V1-L50KA0	1.6	3.1	14	7003227
排量口径 (mm)	DN 65	2	7002724	B471T6V2-L50KA0	1.4	2.7	12.2	7003237
最大重量 (Kg)	48	3	7002725	B471T6V3-L50KA0	1.1	2.4	10.8	7003238

## VII、Dimensions 尺寸(mm)



VQ

D

V

S

M

H

C

T

P

XD

XV

XC

XT

BD

BV

BC

Installation

VX

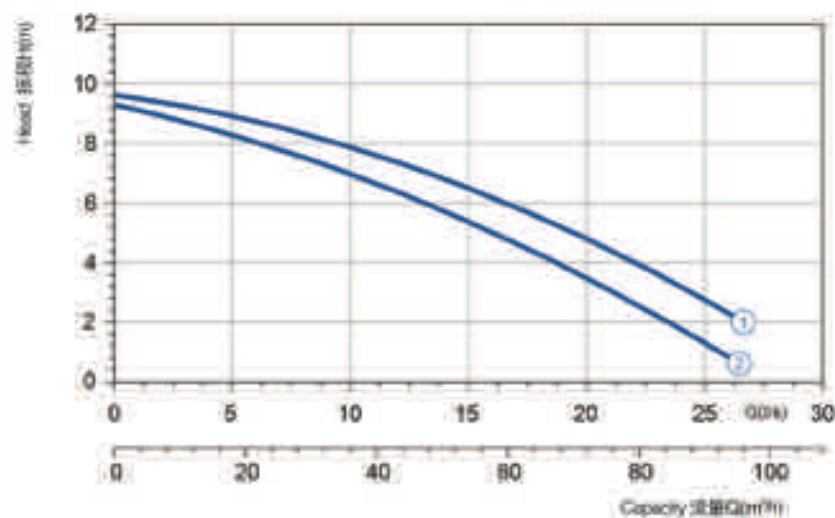
VW

附录

# SUBMERGED SEWAGE PUMP

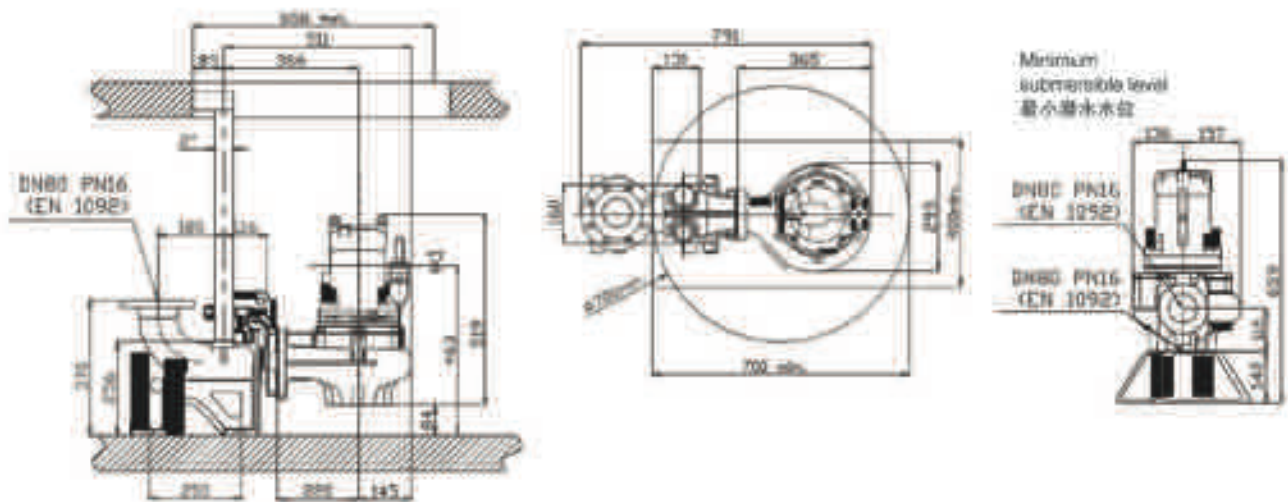
VQB / 铜质污水泵

## VI、Performance Curve 性能曲线



品牌	3pH 400V 30Hz	品牌	代码	型号	功率	电压	ATEX (LIEB)	
每分钟转速	1450							
自由扬程 (mm)	30	1	7005498	B409T8V1-M50KAB	2.8	5.4	24.3	7005781
排量直径 (mm)	DN 80	2	7005497	B409T6V2-M50KAB	2.3	4.4	19.8	7005907
最大重量 (Kg)	73							

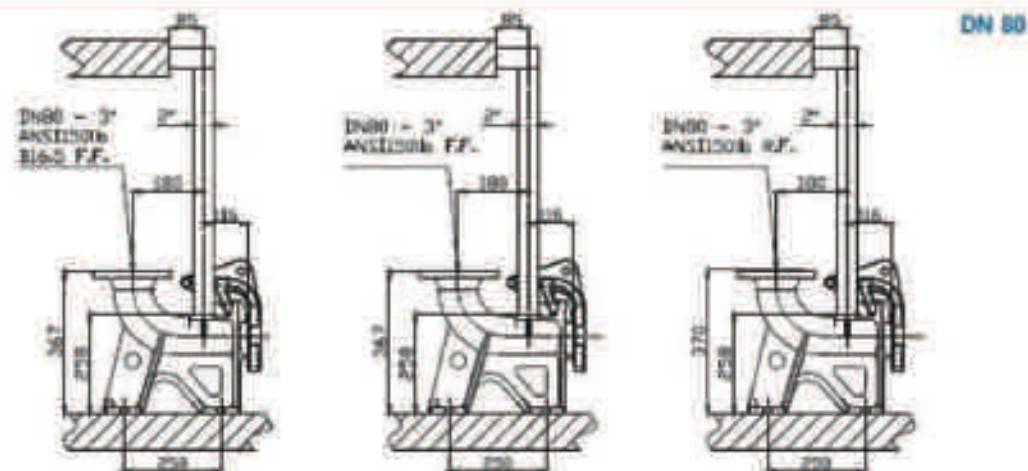
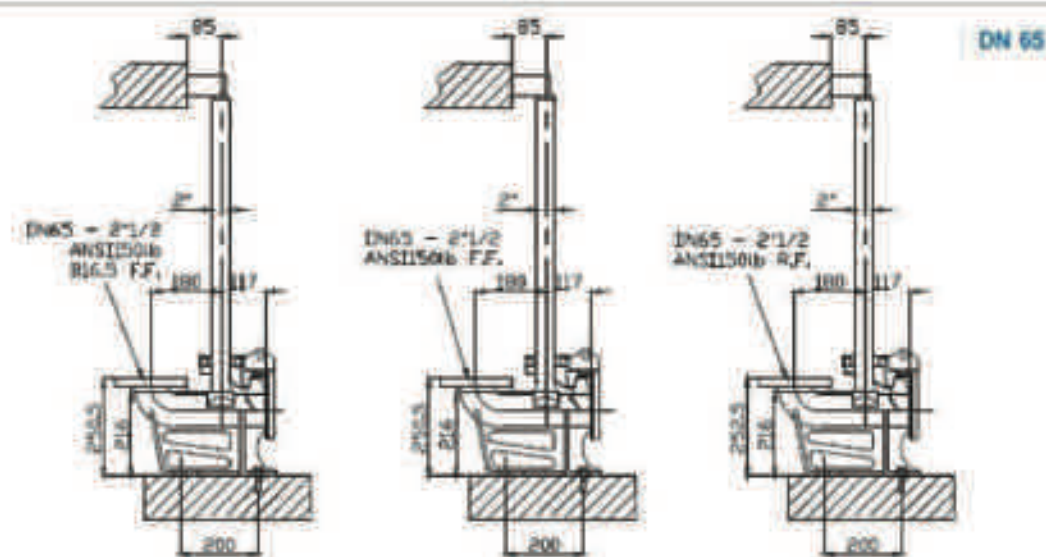
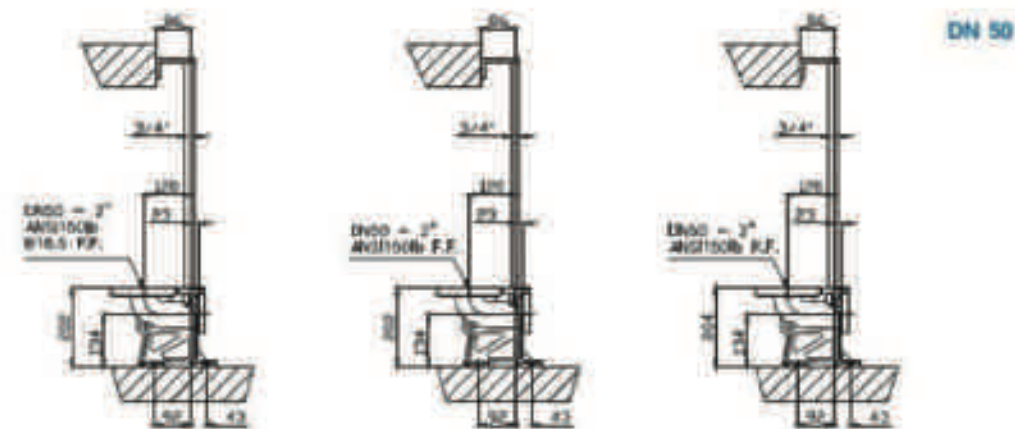
## VII、Dimensions 尺寸(mm)



# SUBMERGED SEWAGE PUMP

VQB / 铜质污水泵

## VIII、Installation with coupling foot system ANSI 安装使用耦合支座系统 ANSI



VQ

D

V

S

M

H

C

T

P

XD

XV

XC

XT

BE

BV

BC

Installation

VX

VW

附录

## SUBMERGED SEWAGE PUMP VQ SERIES

SUBMERGED  
PUMPS SEWAGE  
VQ

铜质BC型叶轮



## I、Application 应用

Submersible electric pumps in marine bronze are used prevalently for cleaning of waste waters originating from chemical installations, agricultural and alimentary fields.

船用青铜潜水电泵广泛用于化工设施、农业和食品业的废水清理。

## II、Construction Data 结构数据

Submersible electric pumps, robust in construction, watertight electric motors accommodated in compartment, connected, by shafts of reduced lengths, to the impellers situated at the pump casing by the interposition of oil chamber between the hydraulic side and the electric motor.

潜水电泵构造结实，电动机室防水密封，由短轴连接到泵壳内的泵轮上，润滑油室位于泵壳的液压侧与电机之间。

## III、Materials 材料

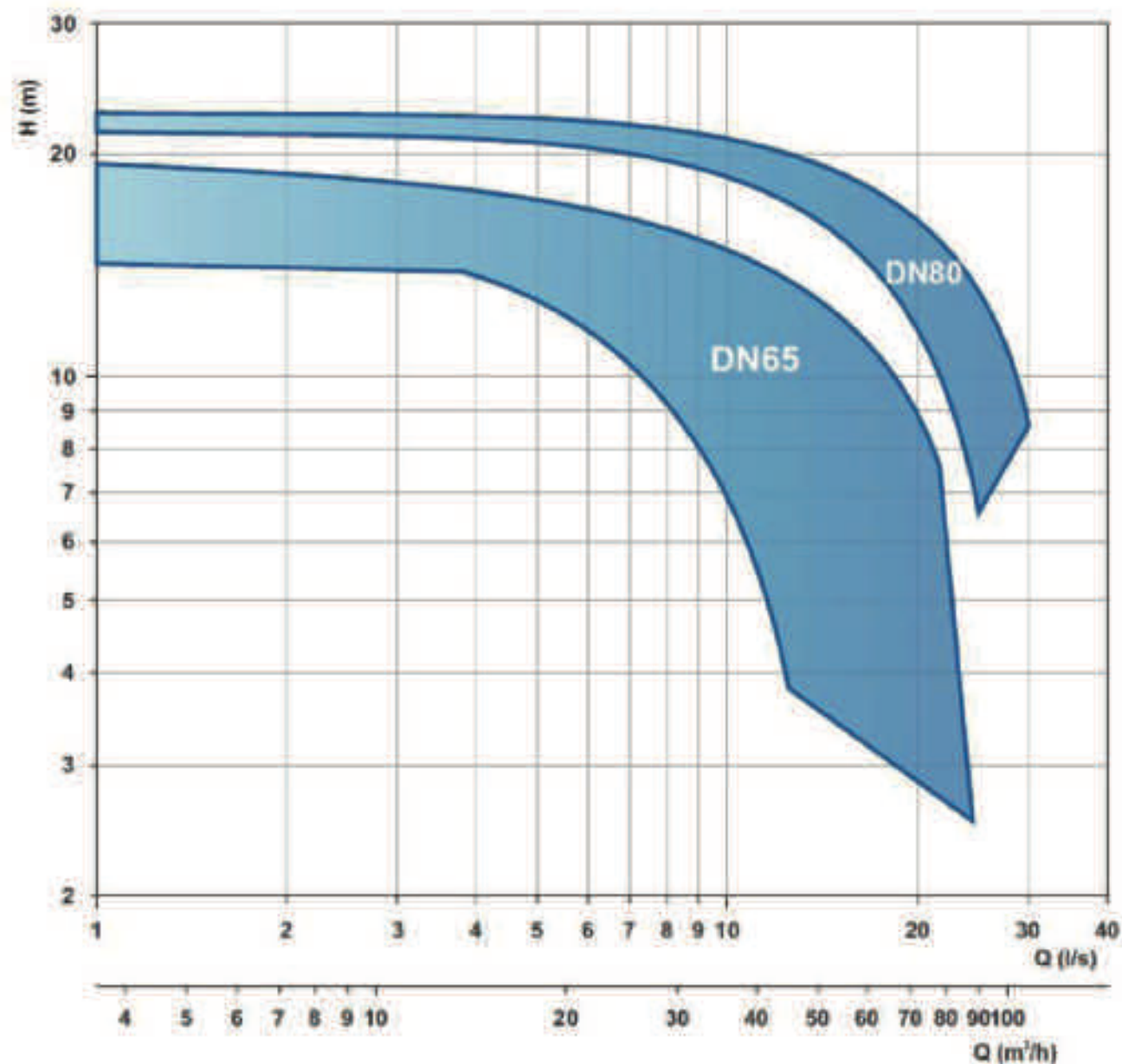
Motor Housing	电机外壳	Marine Bronze	船用青铜
Impeller	叶轮球型外壳	Stainless Steel AISI 316L	不锈钢 AISI 316L
Electric Cable	电缆	Neoprene H07FNF	氯丁橡胶 H07FNF
Shaft	轴	Stainless Steel AISI 316L	不锈钢 AISI 316L
O-Rings And Lip Seal	O 形环和唇形密封	Nitrile	丁腈橡胶
Bolt	螺栓	A4 class - AISI 316	A4 类 - AISI 316
Mechanical Seal	机械密封	Silicon Carbide / Silicon Carbide	碳化硅/碳化硅

## SUBMERGED SEWAGE PUMP

VQB / 铜质污水泵

V、Submersible electric pumps with channels in Marine Bronze 2 poles

多流道潜水电泵/2极 (2900rpm) / 船用青铜



Technical data sheets are available on our web site [www.u-flo.com](http://www.u-flo.com)  
技术数据表可访问我们的网站获取: [www.u-flo.com](http://www.u-flo.com)

VQ

D

V

S

M

H

C

T

P

XD

XV

XC

XT

BS

BV

BC

Installation

Vx

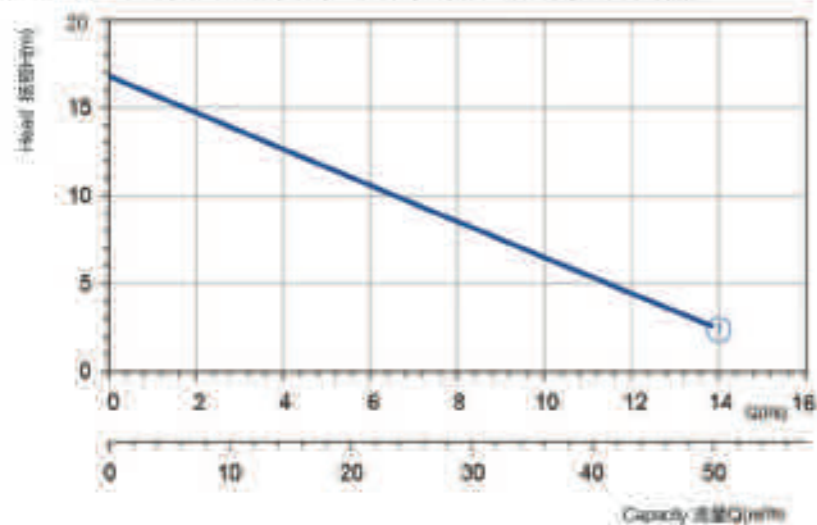
VW

附录

# SUBMERGED SEWAGE PUMP

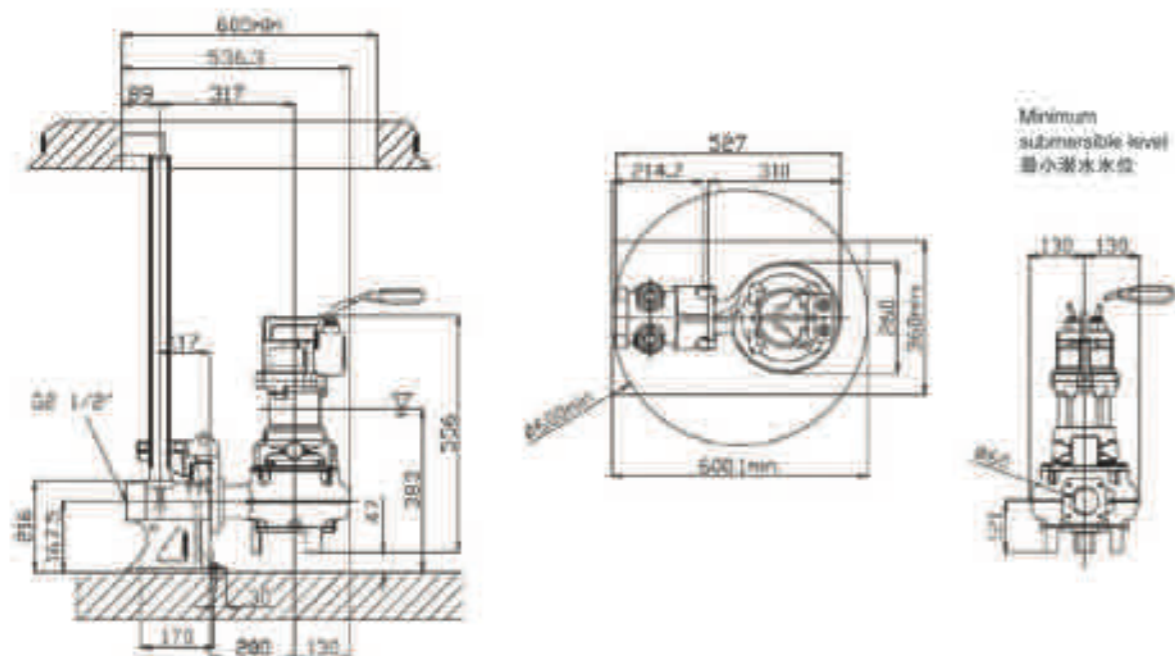
VQB / 铜质污水泵

## VI、Performance Curve 性能曲线



电压	3ph 230V 50Hz	自锁门	材料	型号	电机			ATEX 认证号
每分钟转速	2850				额定功率P2 (kW)	额定电压 (V)	额定电流 (A)	
自由通道 (mm)	40	1	7005885	B271M1M2-L40KB1	1.7	10.2	68.1	7006402
排管直径 (mm)	DN 65							
最大重量 (Kg)	51							

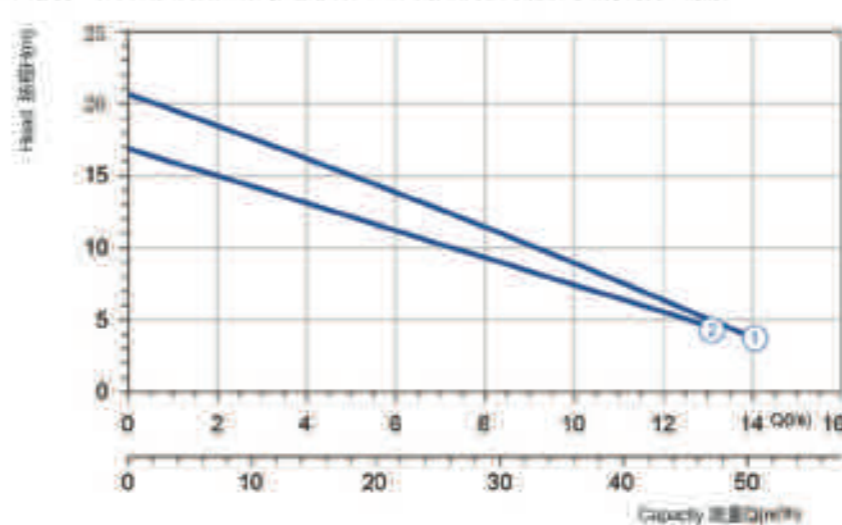
## VII、Dimensions 尺寸(mm)



# SUBMERGED SEWAGE PUMP

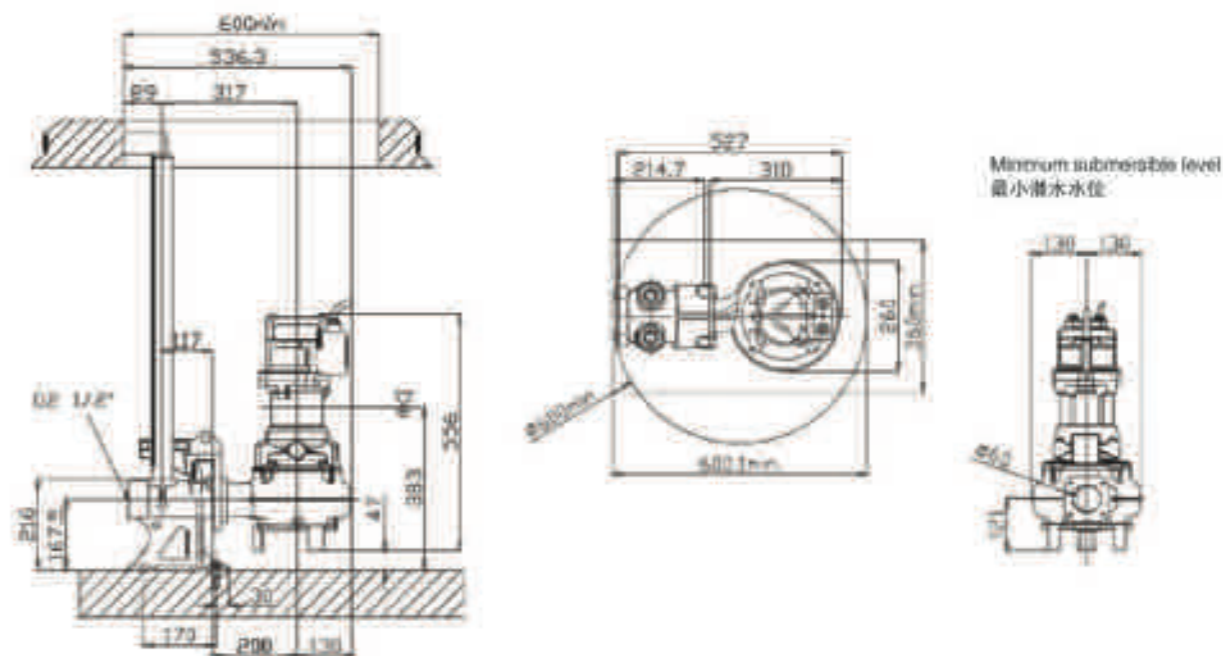
VQB / 铜质污水泵

## VI、Performance Curve 性能曲线



电压	3ph 400V 50Hz	自锁门	材料	型号	电机			ATEX 认证号
每分钟转速	2850				额定功率P2 (kW)	额定电压 (V)	额定电流 (A)	
自由通道 (mm)	40	1	7005493	B271T1M1-L40KA0	2.0	5.2	30.7	7005922
排管直径 (mm)	DN 65	2	7005494	B271T1M2-L40KA0	3.1	9.9	29	7005923
最大重量 (Kg)	50							

## VII、Dimensions 尺寸(mm)



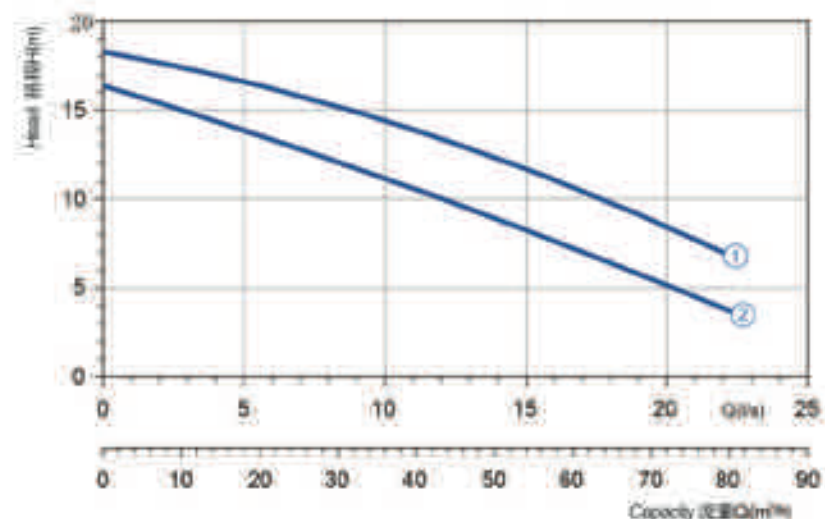
- VQ
- D
- V
- S
- M
- H
- C
- T
- F
- XD
- XV
- XC
- XT
- BD
- BY
- BC
- Installation
- VX
- VW
- 附件



# SUBMERGED SEWAGE PUMP

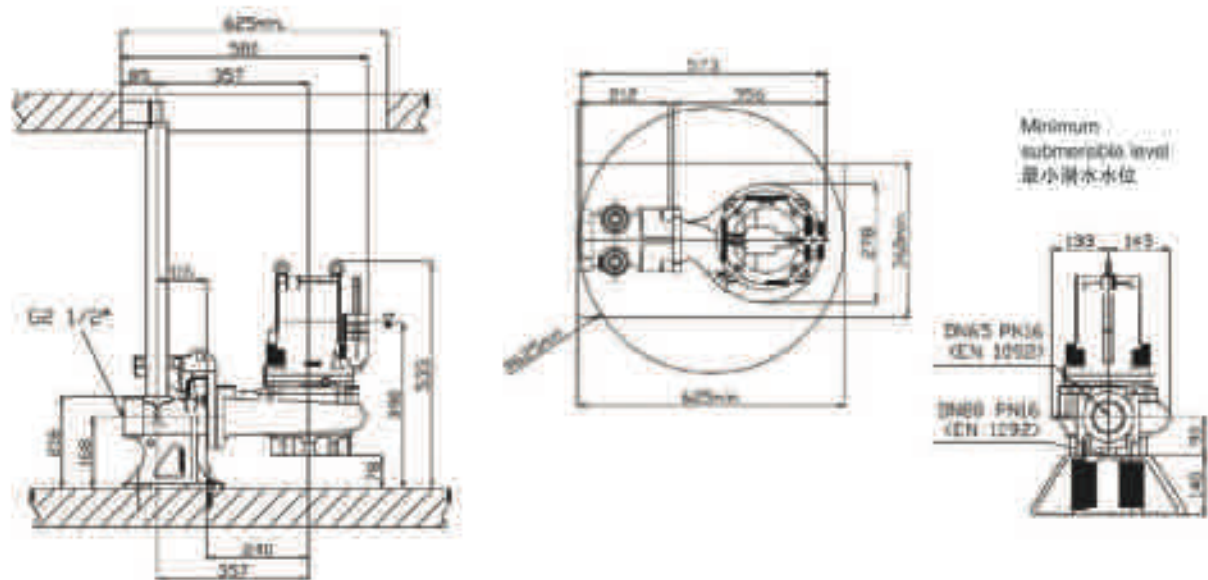
VQB / 铜质污水泵

## VI、Performance Curve 性能曲线



电压	30m 400V 50Hz	曲线N°	代码	型号	电机			ATEX 认证号
					额定功率P2 (kW)	额定电流 I(A)	额定电压 U(A)	
每分钟转速	2850	1	7005355	B20RT3C2-L30KA0	3.8	6.6	38.9	7005358
自由通道 (mm)	30	2	7005495	B20RT3C3-L30KA0	3.1	5.8	34.2	7005577
接管直径 (mm)	DN 65							
最大重量 (Kg)	65							

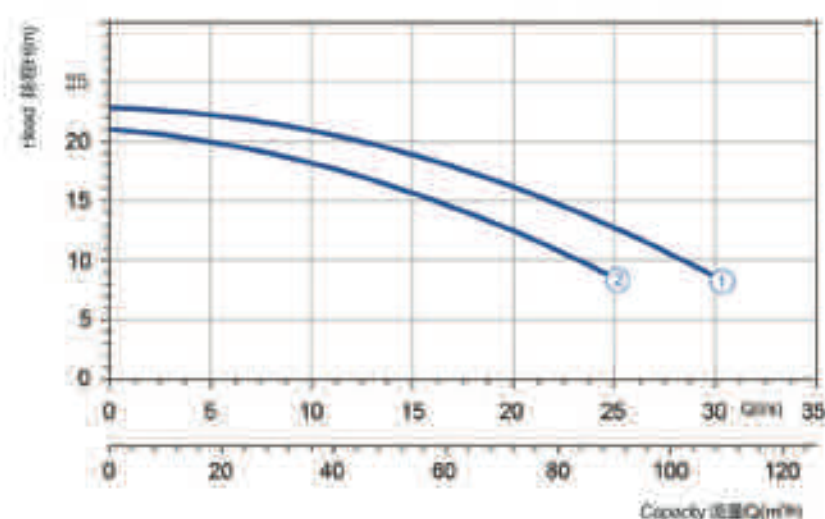
## VII、Dimensions 尺寸(mm)



# SUBMERGED SEWAGE PUMP

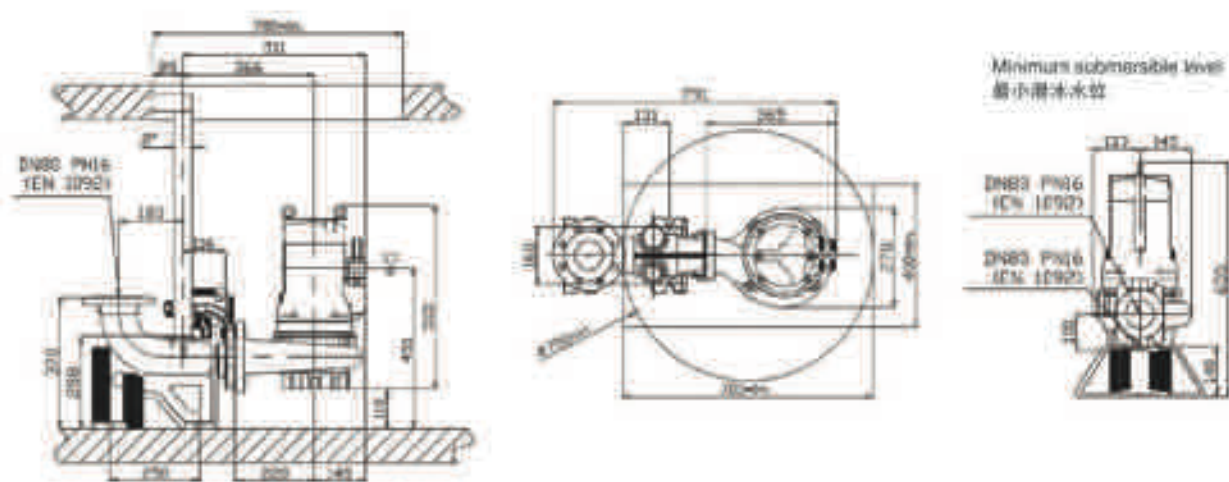
VQB / 铜质污水泵

## VI、Performance Curve 性能曲线



电压	30m 400V 50Hz	曲线N°	代码	型号	电机			ATEX 认证号
					额定功率P2 (kW)	额定电流 I(A)	额定电压 U(A)	
每分钟转速	2850	1	7005345	B210R3C1-M30KA2	6.5	11.8	69.6	7005394
自由通道 (mm)	30	2	7001686	B210R3C4-M30KA2	5	9.1	53.7	7005484
接管直径 (mm)	DN 80							
最大重量 (Kg)	90							

## VII、Dimensions 尺寸(mm)



VQ

D

V

S

M

H

C

T

P

XD

XV

XC

XT

BD

BV

BC

Installation

Vx

Vw

附录

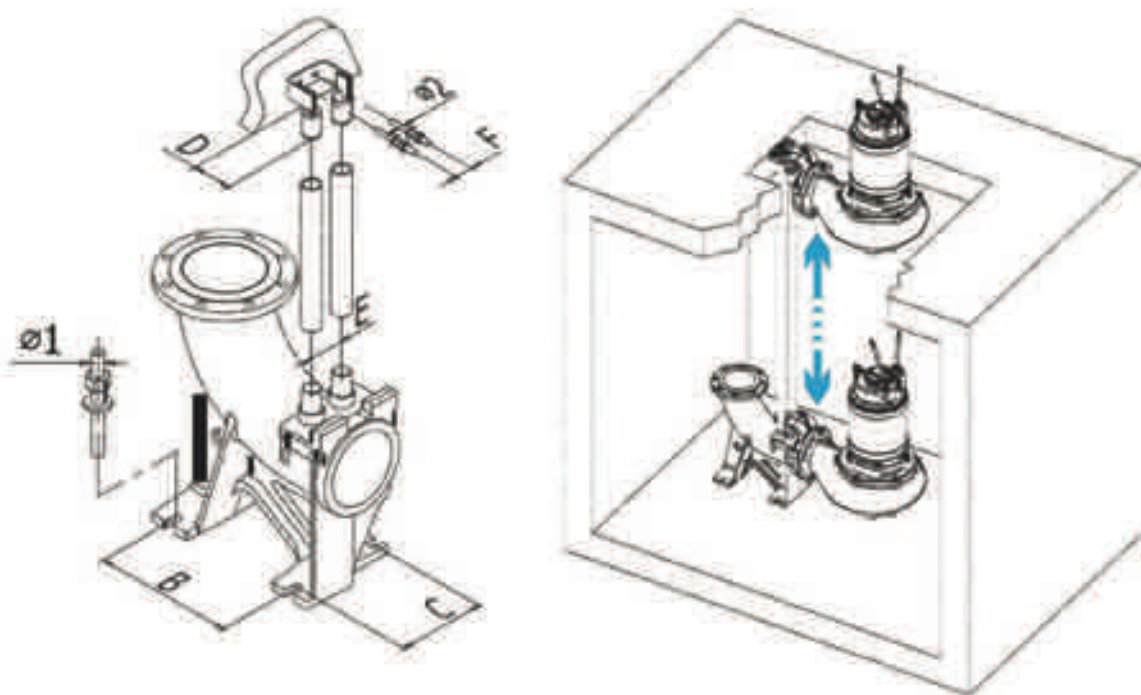
# SUBMERGED SEWAGE PUMP

VQB / 铜质污水泵

## VII、Dimensions 尺寸

The automatic coupling system allows quick and efficient inspection operations. The coupling foot is fastened to the bottom of the sump together with the delivery pipe; two guiding tubes connect it to the anchoring bracket secured to the edge of the sump cover. The pump is lowered along the guiding tubes until it reaches the exact coupling position; the seal will be tight thanks to the weight of the pump. This operation can be repeated any number of times and it allows checking and inspection operations easier: the pump is simply extracted from the sump by means of a chain (even if the system is flooded), checked or repaired and reassembled.

自动耦合系统有助于快速和有效的检查操作。耦合支架与输送管固定在污水池底部；两个导向管将其连接到锚固支架并固定到污水池盖的边缘。泵沿导向管逐步下降，直至到达确切耦合位置；由于泵的重量，密封将变得紧密。此操作可以重复任意次数，方便检查和检修操作。泵可以轻松地使用链条从水池中提出（即使系统充满水），进行检查、修理和重新组装。



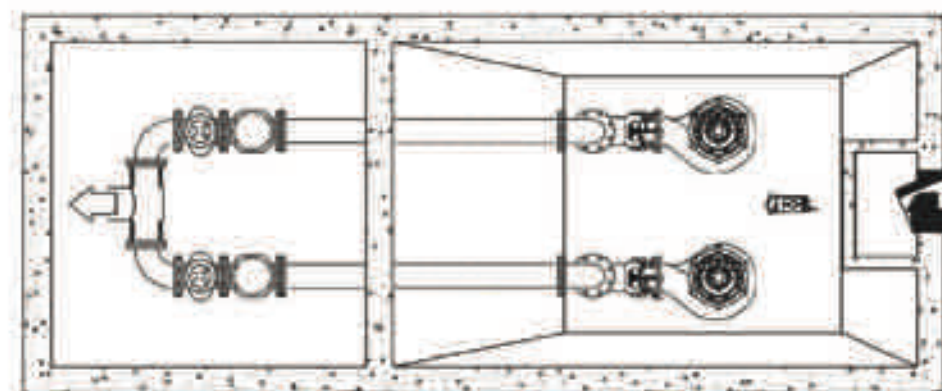
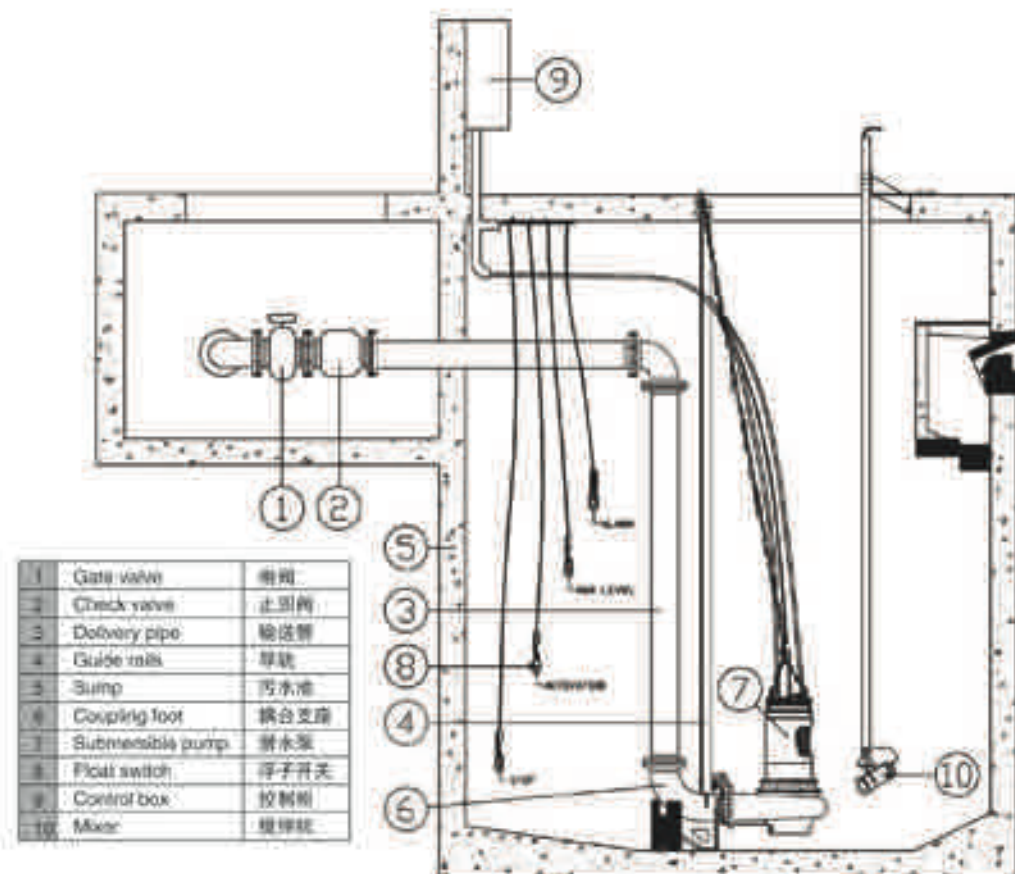
编号说明	DN50 (mm)	DN65 (mm)	DN80 (mm)	DN100 (mm)	DN150 (mm)	DN200 (mm)	DN250 (mm)	DN300 (mm)
B 耦合支架垂直间距	110	200	250	290	300	400	385	500
C 耦合支架垂直间距	100	120/140*	160	180	200	250	320	500
D 管定端距离	88	85	85	85	85/100*	85	85	120
E 耦合间距	40	100	100	100	100/124*	100	200	125
F 支撑孔间距	52	77.5	77.5	77.5	77.5/38*	77.5	190	100
Ø1 孔直径	10	18/20*	16	16	16	20	20	20
Ø2 支撑孔直径	8	10	10	10	10/12*	10	12	12

\*double guide version  
双导轨型

# SUBMERGED SEWAGE PUMP

INSTALLATION/ 安装方式

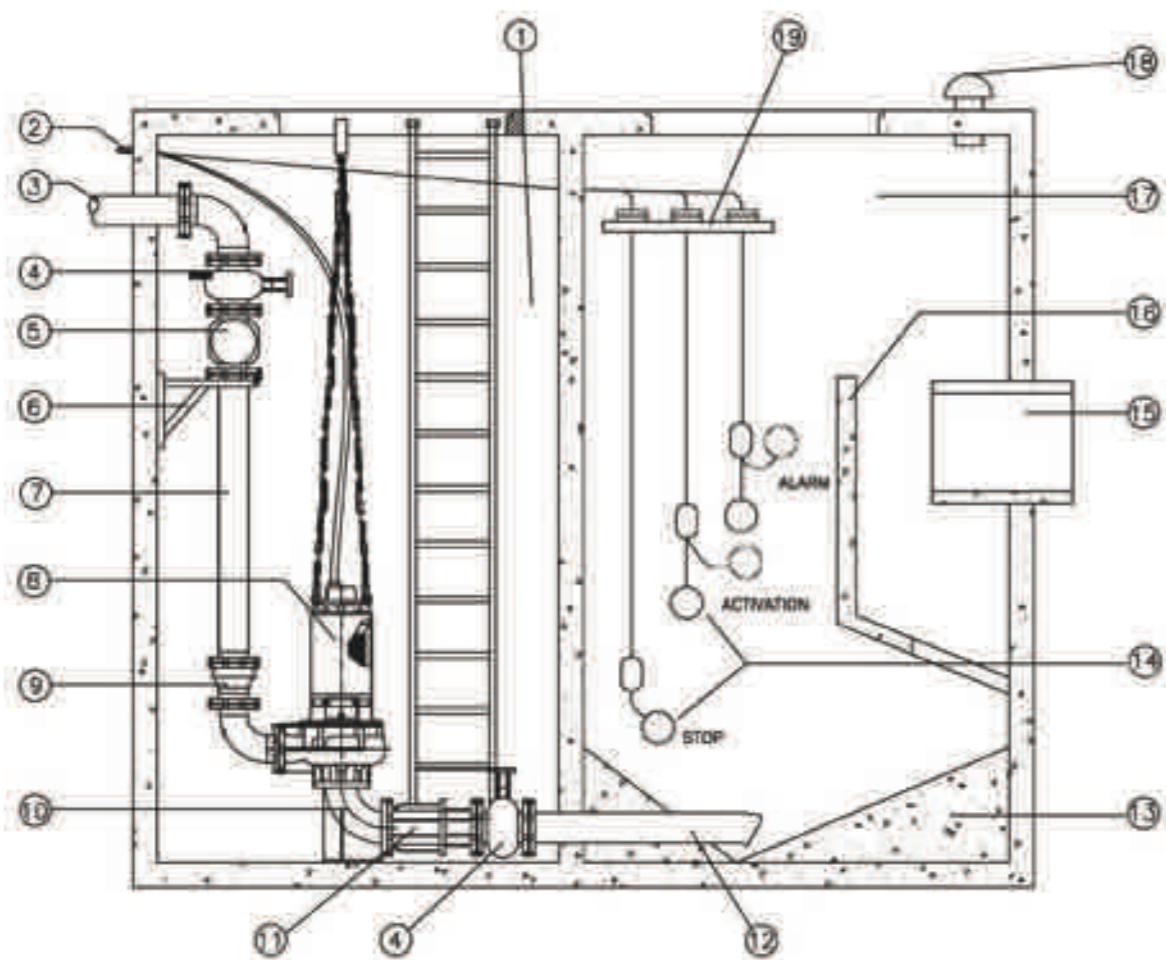
## R Installation sample with automatic coupling system 自动耦合系统安装示例



# SUBMERGED SEWAGE PUMP

## INSTALLATION/ 安装方式

### E Dry pit installation 干坑安装



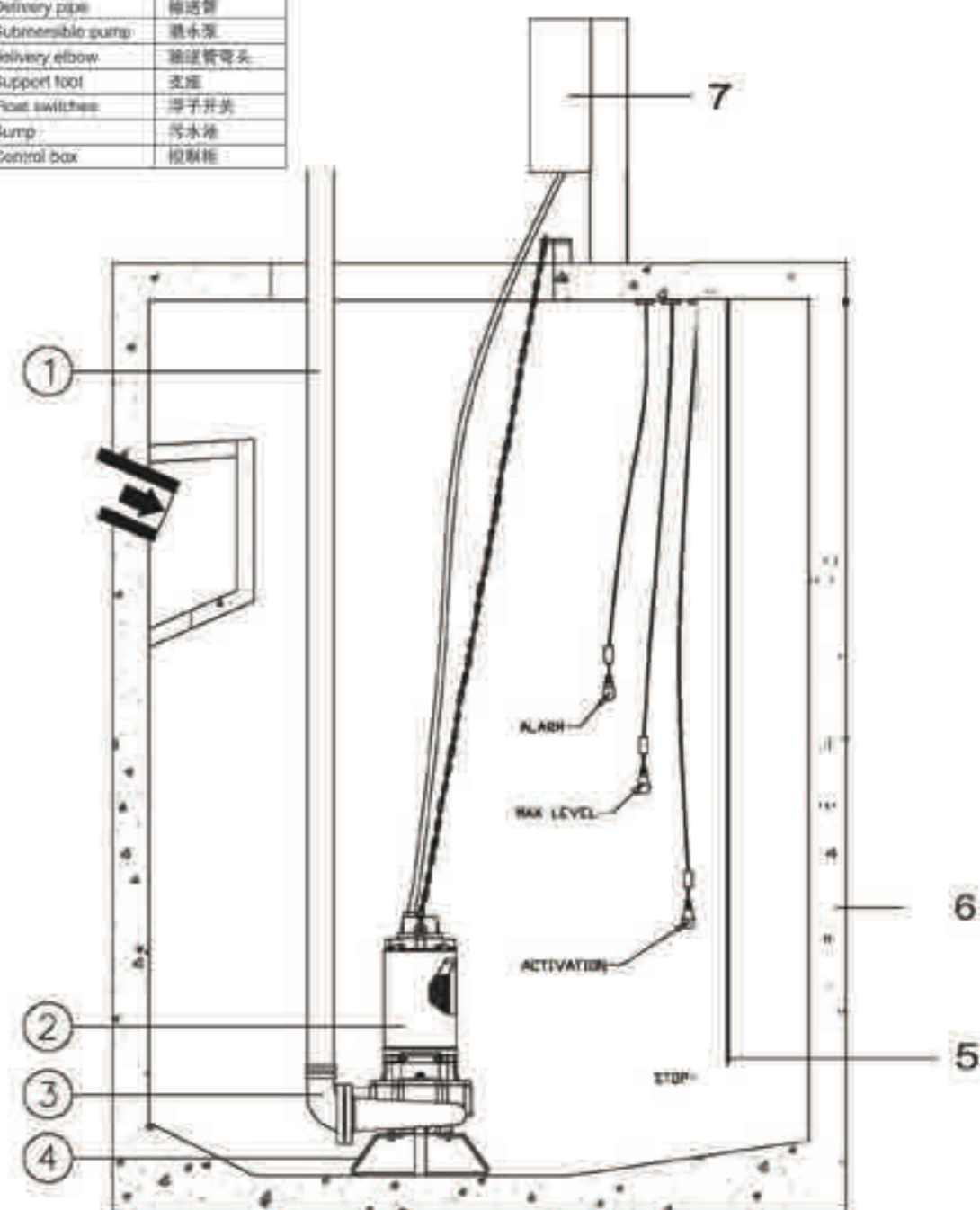
1	Sump	污水池	11	Joint	接头
2	Cable enclosure	电缆外筒	12	Suction pipe	吸水管
3	Delivery pipe	输送管	13	Slide sediments	滑泥沉淀器
4	Gate valve	闸阀	14	Float switches	浮子开关
5	Check valve	止回阀	15	Sewage inlet pipes	污水进水管
6	Support sitruat	支撑钢圈	16	Diving septum	潜水盖
7	Delivery pipe	输送管	17	Collecting pit	集坑
8	Submersible pump	潜水泵	18	Activation pipe	通气管
9	Elastic joint	弹性接头	19	Sump float switches	钢圈浮子开关
10	Suction elbow 90°	90° 吸水肘管			

# SUBMERGED SEWAGE PUMP

## INSTALLATION/ 安装方式

### P Mobile installation Installation 移动安装

1	Delivery pipe	输送管
2	Submersible pump	潜水泵
3	delivery elbow	输送管弯头
4	Support foot	支座
5	Float switches	浮子开关
6	Sump	污水池
7	Control box	控制柜



VQ

D

V

S

M

H

C

T

P

XD

XV

XC

XT

BD

BY

BC

Installation

VX

VW

钢圈

# SUBMERGED SEWAGE PUMP

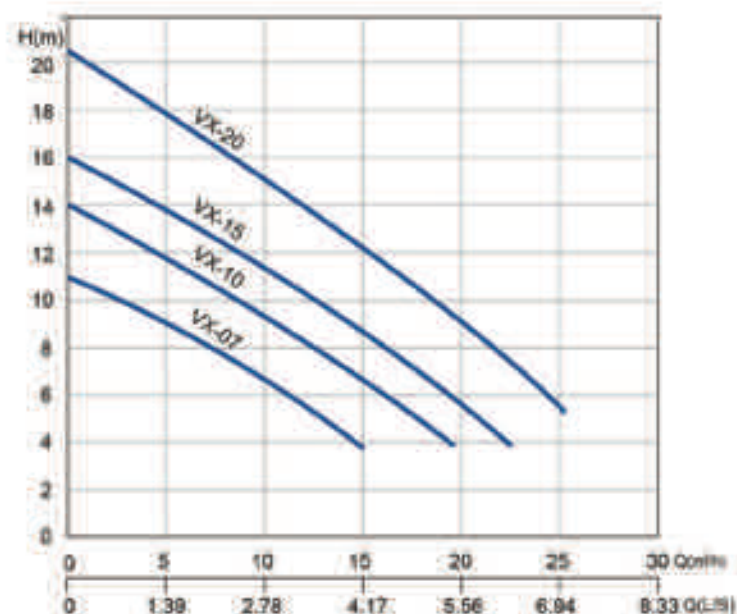
VX/ 冲压不锈钢污水泵

## I、General Data/Material 基本参数/材质

Operating Conditions 运行工况	Applications 应用范围	Emptying of septic tanks and residential pumps 清空化粪池和住宅污水坑
Fluid Temperature 液体温度	0 to 50°C	0-50°C
Motor 电机	Type 类型	Dry Type 干式
	Pole 电级	2-pole 2极
	Insulation 绝缘等级	Class F F级
	Protection 防护等级	IP68
Pump 水泵	Protection Device 保护装置	Thermal Protector (single phase) 热保护器 (单相)
	Impeller 叶轮	Open Impeller 开式叶轮
	Shaft Seal/Material 轴密封、材质	Double seals 双密封
	Bearing 轴承	Double-shielded Ball Bearing 双屏蔽球轴承

Component / 组件	Material / 材质
Cable / 电缆	HO7RN-F
Handle / 手提组件	AISI 304+Nylon / AISI 304+尼龙
Motor Cover / 电机封盖	AISI 304
Motor Casing / 电机壳体	AISI 304
Flang Ring / 法兰环	AISI 304
Pump Body / 泵体	AISI 304
Mechanical seal / 机械密封	SiC/SiC/NBR
Impeller / 叶轮	AISI 304
Key / 按钮	AISI 304
Pump Casing / 水泵壳体	AISI 304
Oil Seal / 油密封	NBR
Shaft / 轴	AISI 304
V-type Axial Oil Seal / V-型轴油密封	NBR
Suction flange / 进口法兰	AISI 304

## II、Characteristic curves N=2900 rpm 性能曲线



# SUBMERGED SEWAGE PUMP

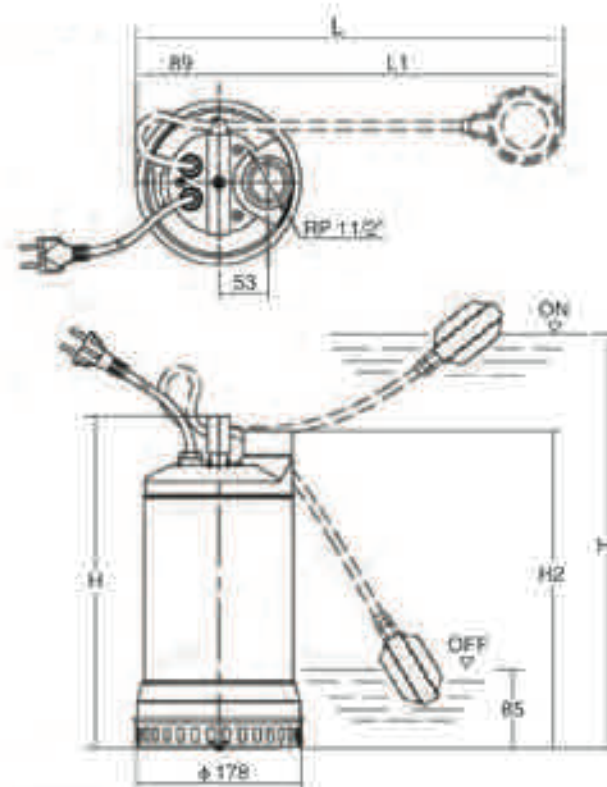
VX/ 冲压不锈钢污水泵

## III、Specifications 特点

Model/型号	Power HP(kW) 功率	Discharge inch 出水口直径	Phase (Voltage) 相数 (电压)	Standard/标准		Max. Head/最大扬程		Solve Passage mm 堵塞	Cable M 长度
				Head/M 扬程	Capacity 流量	Head/M 扬程	Capacity 流量		
VX-07	0.75(0.55)	RP 1 1/2"	1 φ 220V-240V/3 φ 220V-240V/380V-415V	8.6	100	10.8	250	8	10
VX-10	1.0(0.75)	RP 1 1/2"	1 φ 220V-240V/3 φ 220V-240V/380V-415V	11.2	100	14	325	8	10
VX-15	1.5(1.1)	RP 1 1/2"	1 φ 220V-240V/3 φ 220V-240V/380V-415V	11.9	150	16.1	375	8	10
VX-20	2.0(1.5)	RP 1 1/2"	3 φ 220V-240V/380V-415V	15.6	150	20.6	420	8	10

Auto Float Switches are available in Single-phase  
自动浮子开关有单相电压

## IV、Dimensions and Weights 尺寸和重量



SINGLE-PHASE 单相电压

Model 型号	Dimension (mm) 尺寸					
	H	H1	H2	L	L1	N.W.kg
VX-07	357	437	341	459	370	12
VX-10	407	487	391	514	425	15
VX-15	407	497	391	514	425	17

THREE-PHASE 三相电压

Model 型号	Dimension (mm) 尺寸		
	H	H2	N.W.kg
VX-07	357	341	12
VX-10	357	341	12
VX-15	407	391	15
VX-20	407	391	17

# SUBMERGED SEWAGE PUMP

VW/ 冲压不锈钢污水泵

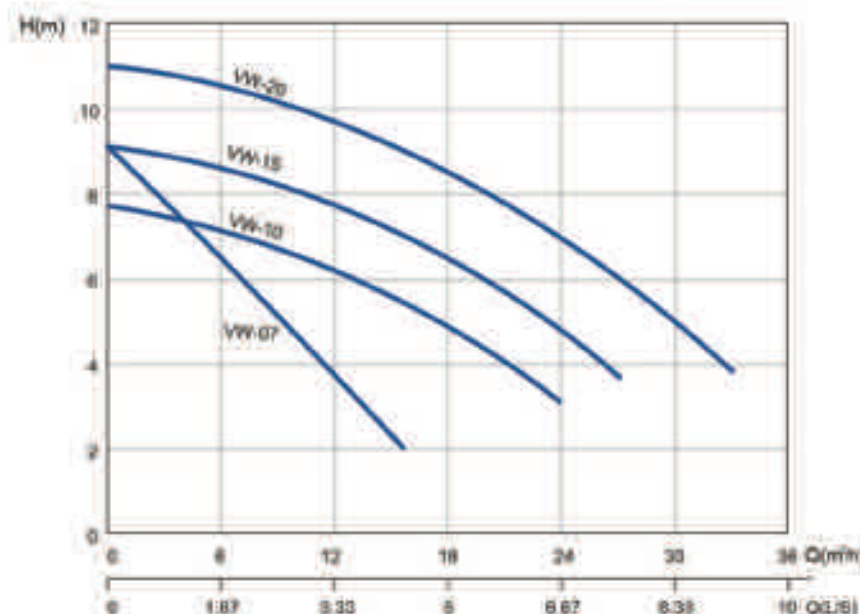
## I、General Data/Material 基本参数/材质

Operating Conditions 运行工况	Applications 应用范围	Emptying of septic tanks and residential pumps 清空化粪池和住宅污水坑
Fluid Temperature 液体温度	0 to 35°C	0-35°C
Type 类型	Dry Type 干式	
Pole 电级	2-pole 2极	
Insulation 绝缘等级	Class F F级	
Protection 防护等级	IP68	
Protection Device 保护装置	Thermal Protector (single phase) 热保护器   单相	
Impeller 叶轮	Open Impeller 开式叶轮	
Shaft Seal/Material 轴密封、材质	Double seals 双密封	
Bearing 轴承	Double-shielded Ball Bearing 双屏蔽球轴承	

Component 组件	Material 材质
Cable 电缆	HO7RN-F
Handle 手提组件	AISI 304+Nylon AISI 304+尼龙
Motor Cover 电机封盖	AISI 304
Motor Casing 电机壳体	AISI 304
Flange Ring 法兰环	AISI 304
Pump Body 泵体	AISI 304
Mechanical seal 机械密封	SiC/SiC/NBR
Impeller 叶轮	AISI 304
Key 按钮	AISI 304
Pump Casing 水泵壳体	AISI 304
Oil Seal 油密封	NBR
Shaft 轴	AISI 304
V-type Axial Oil Seal V-型轴封油密封	NBR
Suction flange 进口法兰	AISI 304



## II、Characteristic curves N=2900 rpm 性能曲线



# SUBMERGED SEWAGE PUMP

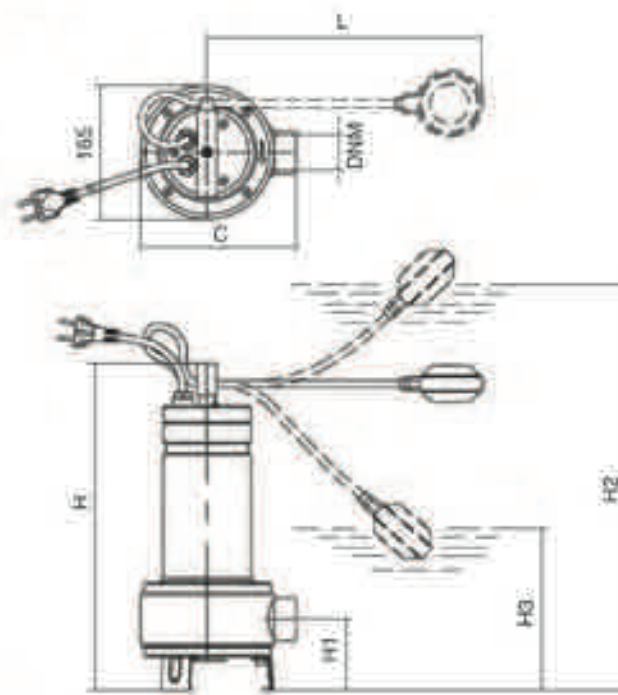
VW/ 冲压不锈钢污水泵

## III、Specifications 特点

Model/型号	Power HP/功率	Discharge inch 出水口直径	Phase (Voltage) 相数   电压	Standard/标准		Max. Size/最大		Sewer Passage mm	Cable M
				Head M 扬程	Capacity 流量	Head M 扬程	Capacity 流量		
VW-07	0.75(0.55)	RP 1 1/2"	1 φ 220V-240V/3 φ 220V-240V/380V-415V	7.1	80	9.1	250	35	5
VW-10	1.0(0.75)	RP 2"	1 φ 220V-240V/3 φ 220V-240V/380V-415V	7.1	100	7.7	400	50	10
VW-15	1.5(1.1)	RP 2"	1 φ 220V-240V/3 φ 220V-240V/380V-415V	8.6	100	8.1	450	50	10
VW-20	2.0(1.5)	RP 2"	3 φ 220V-240V/380V-415V	10.2	150	11	550	50	10

Auto Float Switches are available in Single-phase  
自动浮子开关有单相电压

## IV、Dimensions and Weights 尺寸和重量



SINGLE-PHASE 单相电压

Model 型号	Dimension (mm) 尺寸							N.W.kg
	H	H1	H2	C	DNM	L	RP	
VW-07	403	88	483	183	350	193	RP 1 1/2"	11
VW-10	488	111.5	565	263	350	198	RP 2"	14
VW-15	498	111.5	566	268	350	198	RP 2"	15

THREE-PHASE 三相电压

Model 型号	Dimension (mm) 尺寸					N.W.kg
	H	H2	C	DNM	RP	
VW-07	403	88	193	RP 1 1/2"	11	
VW-10	438	111.5	198	RP 2"	12	
VW-15	488	111.5	198	RP 2"	14	
VW-20	498	111.5	189	RP 2"	15	

# SUBMERGED SEWAGE PUMP

附录

**Hardness comparison among different materials** The hardness of the materials is directly related to their resistance to abrasion. The graph illustrates that the new metalization treatment is more efficient.

## 不同材料的硬度比较

材料的硬度直接关系对它们的机械性能。下图表明新的金属化处理更有效。

## Materials codes for standard applications

- G – Pump body and coupling feet in grey cast iron.
- X – Pump body and coupling feet in stainless steel.
- B – Pump body in Marine Bronze and coupling feet in Stainless Steel.

## 用于标准应用的材料代码

- G – 泵体和耦合支架为灰口铸铁。
- X – 泵体和耦合支架为不锈钢。
- B – 泵体为船用青铜，耦合支架为不锈钢。



## Surface Treatment

The treated parts are those that are more subject to wear and tear: impeller, diffuser, oil chamber, suction flange (where applicable). The advantages offered by these treatments are:

- exceptional resistance to abrasives and/or chemical agents;
- reduction in service costs.

## Metalization Treatment (TSM)

Surface plasma treatment with the addition of carbides. The material to be added that is generally used is tungsten carbide.

## Ceramic Treatment (TSC)

Surface treatment with composite bi-component ceramic consisting of an apoxide matrix with interstitial ceramic particles of high resistance to abrasion.

## 表面处理

需处理的部件是那些更易磨损部件：叶轮、扩压器、润滑油室、吸气法兰（如适用）。这些处理所带来的好处是：

- 非凡的耐磨损和/或抗化学耐性能；
- 降低了服务成本。

## 金属化处理 (TSM)

表面等离子体处理加碳化物。需添加材料通常为碳化钨。

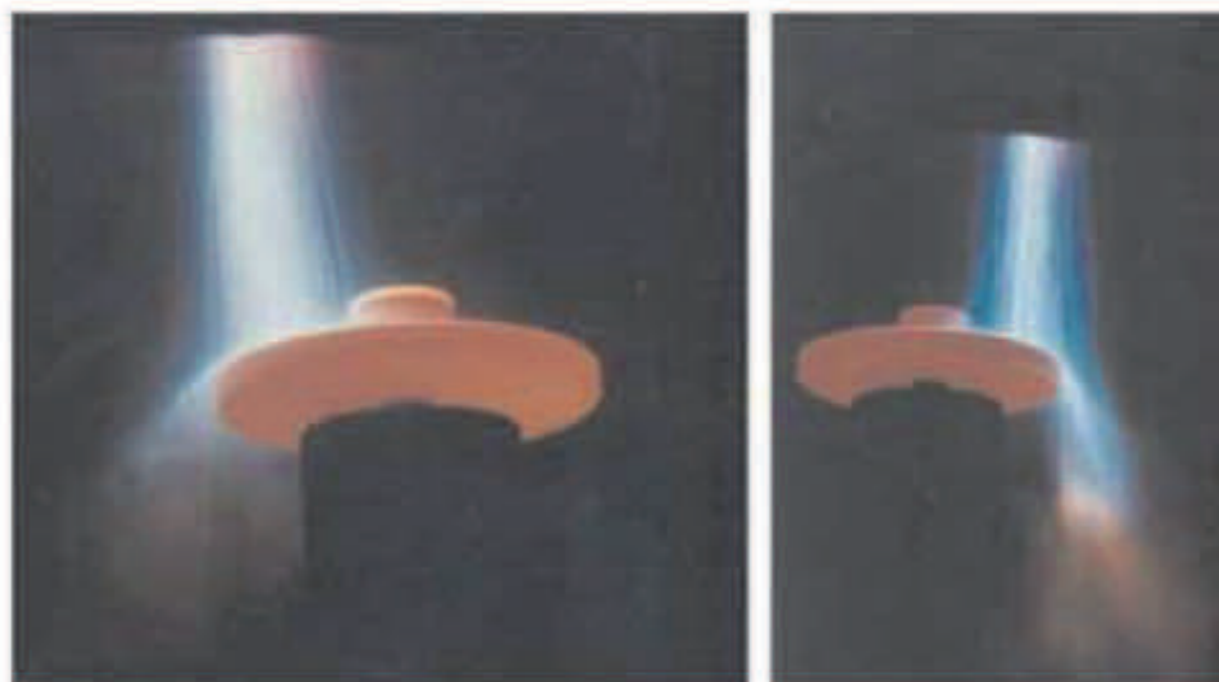
## 陶瓷处理 (TSC)

使用陶瓷陶瓷颗粒和环氧树脂基质的复合双组分陶瓷进行表面处理，具有较高耐磨损性能。

# SUBMERGED SEWAGE PUMP

附录

## Metalization treatment 金属化处理



## Superficial plasma treatment process

The surface plasma treatment with the addition of carbides gives the treated parts very elevated surface hardness, up to 3/4 times the hardness of the standard grey cast iron (max: 220 HB). Such treatments are usually only adopted in special cases where a greater resistance is required due to the highly abrasive environment. The treated parts are those that are more subject to wear and tear: impeller, diffuser, oil chamber, suction flange (where applicable). This treatment is applicable to the main fusion materials: Cast iron G.I., AISI 316, Bronze B10 with thicknesses that vary from 0.2 mm to 2 mm. For the addition of alloy steel there are some limitations with regards to the geometry and/or the dimension of the component to be treated. Addition Tungsten-Carbide Treatments: phase 030 remove grease, phase 040 sand-blasting, phase 060 addition Tungsten-Carbide. Typical composition Carbon 0.90%, Cobalt 15-18%, Iron 0.2 max. Hardness 80 Rc., thickness 0.3-2 mm.

## 金属等离子体处理工艺

加入碳化物的表面等离子体处理使被处理表面具有较高表面硬度，是标准灰口铸铁硬度的 3 至 4 倍（最大 220 HB）。这种处理通常只是用于恶劣摩擦环境而需较大耐力的特殊情况。需处理的部件是那些更易磨损部件：叶轮、扩压器、润滑油室、吸气法兰（如适用）。这种处理适用于主要熔接材料：铸铁 G.I., AISI316, 青铜 B10; 厚度为 0.2 mm 至 2 mm。对于合金钢，因几何形状和/或部件尺寸原因，会有些限制。添加碳化钨处理方法：相 030 除脂，相 040 喷砂，相 060 加入碳化钨。典型组成碳 0.90%，钴 15-18%，铁 0.2 最高。硬度 80 Rc.，厚度 0.3-2 mm。

VQ

D

V

S

M

H

C

T

P

XD

XV

XC

XT

BD

BV

BC

Installation

VX

VW

附录

# SUBMERGED SEWAGE PUMP

附录

## Cathodic protection 阴极保护

For submersible electric pumps in cast iron

A good and economic solution for the lifting of sea water. A zinc anode component is screwed on the pump's diffuser. Anode increase by 2-3 times the life of the pump. For high concentrations of salty water, different materials are suggested (manni bronze, stainless steel etc.). The zinc is a less noble material and with inferior potential (anode) that protect the noble material (cast iron) of the pumps (cathode). The zinc anodes fixed on the pump, are consumed in the time and therefore they must periodically be replaced. The surface potential of the noble metal (cathode) with elevated potential remains unchanged. The less noble metal (anode) with minor potential will be dissolved. This is called as sacrificial anode.



铸铁潜水电动泵

对于提升海水来说，是一个经济、有效的解决方案。锌阳极组件能拧到泵的扩压器上，阳极使泵的使用寿命增加2-3倍。对于高浓度盐水，推荐使用其它材料（船用青铜、不锈钢等），锌是次要金属材料，具有低电位（阳极），可保护泵（阴极）的主要材料（铸铁）。固定在泵上的锌阳极会随时间消耗掉，因此必须定期更换。贵金属（阴极）表面电位和高电位保持不变，次要金属（阳极）与低电位会被溶解。这也被称为牺牲阳极。

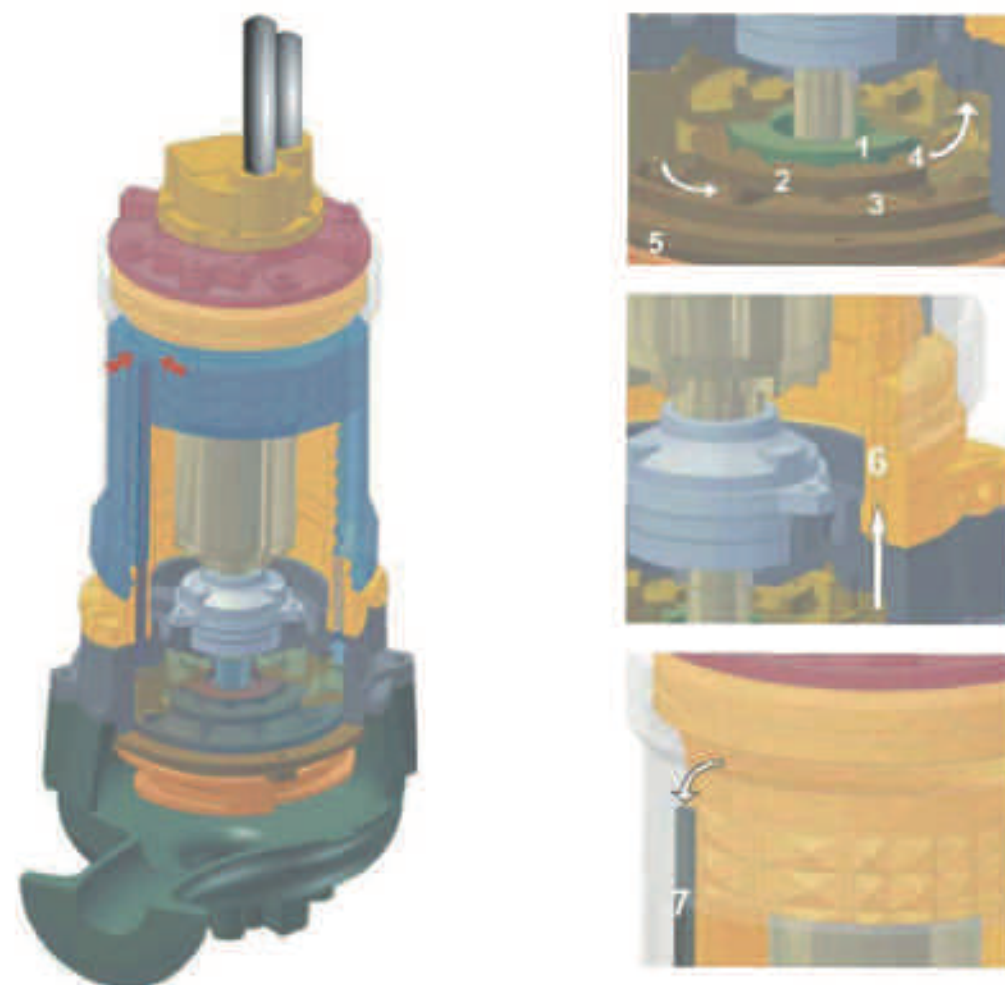
# SUBMERGED SEWAGE PUMP

附录

## Cooling system 冷却系统

Refrigerant forced in close circuit between the motor casing and the external cooling jacket secured by a centrifugal impeller direct connected on the shaft. The refrigerant fluid is forced between the external pump body and the cooling jacket by one auxiliary impeller directly coupled on the main pump shaft (1). The working principle do permit to cool the motor by a forced feed lubrication system. A specific intermediate disk is mounted in the oil chamber (2). By this mean we have in the lower part a suction side (3) and in the upper part of the disk the discharge side (4). This fluid is cooled by the transfer of heat to the seal-housing (5). The refrigerant fluid is then pumped through four channels in the intermediate cooling chamber (6) existing between the external pump body and the rotor toward the upper part of the pump. The return circuit of the fluid towards the down-part of the disk in the oil chamber is done by four stainless steel tubing (7) located inside to the interference space enclosed between the external pump body and the outside stainless steel jacket of the pump.

制冷剂被压入电机外壳和外部冷却夹套之间的回路中，外壳由离心叶轮固定并直接连接到轴上。制冷剂被压入到冷却夹套之间，由副叶轮直接耦合到主泵轴（1）上。该工作原理利用压力润滑系统冷却电机。一特制中间圆盘安装在润滑油室（2）内。通过此方法，我们在下部得到一个吸入腔（3）并在圆盘上部得到一个排出腔（4）。热量转移到密封壳体（5），液体从而得到冷却。制冷剂通过四个流道被泵入到中间冷却室（6），位于外部泵体和泵上部电机之间。液体回路流向润滑油室的下部是通过四根不锈钢管（7）完成，钢管位于外部泵体和泵的外部不锈钢套之间所包围的干涉空间。



VQ

D

V

S

M

H

C

T

F

XD

XV

XC

XT

BD

BV

BC

Installation

VX

VW

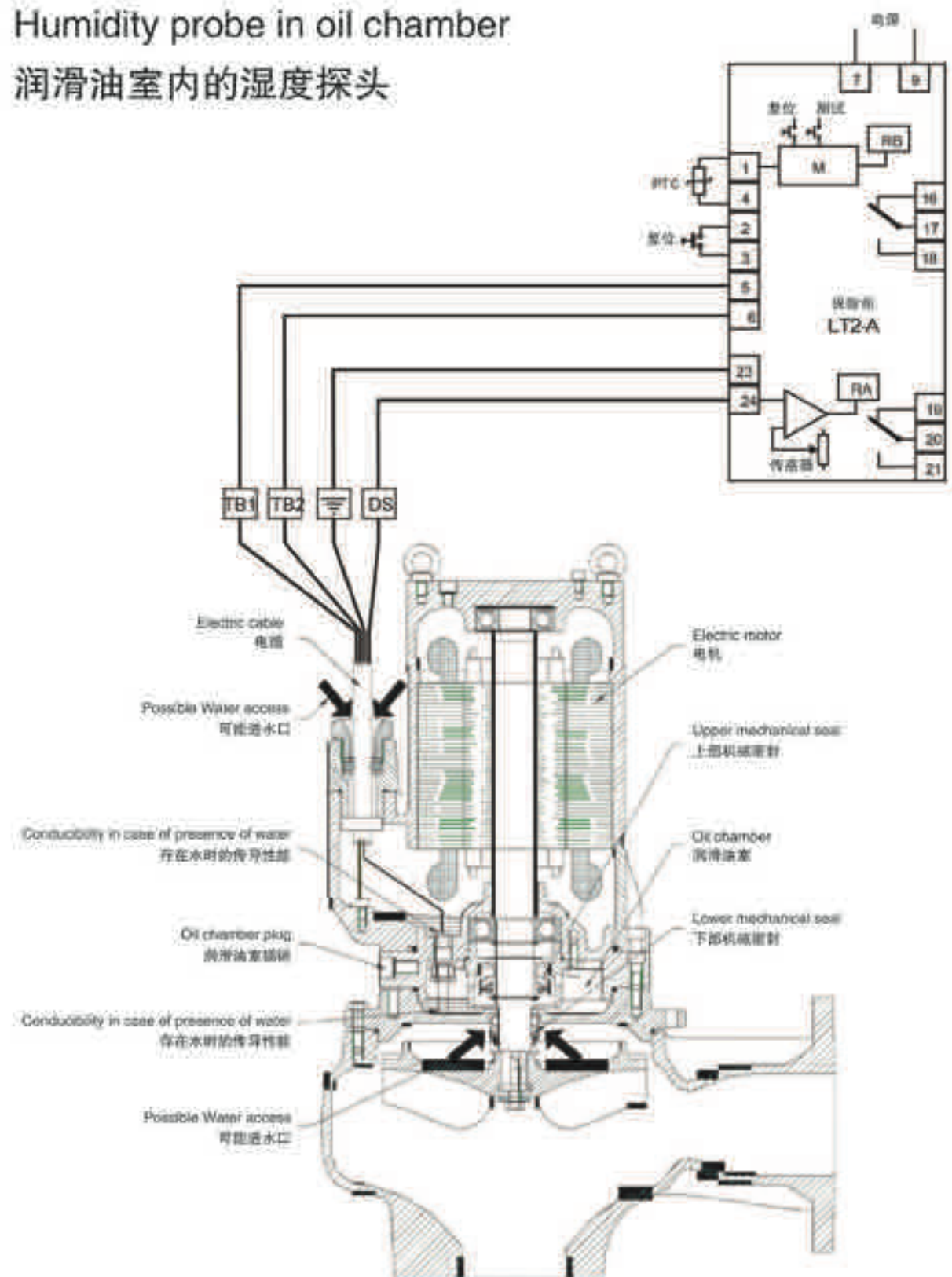
附录

# SUBMERGED SEWAGE PUMP

附录

## Humidity probe in oil chamber

### 润滑油室内的湿度探头



# SUBMERGED SEWAGE PUMP

附录

## Thermal protection 热防护

The thermal protections, connected singularly or in three groups within the windings of the stator, detect their temperature of exercise and switch-off the contact when the detected temperature achieve up to the set value for which they have been constructed within a tolerance of  $\pm 3\%$ . The thermal sensors start, once well connected to the control panel, safeguard motor from the risk of overloading and eventual burning.

热防护，单独或分三组连接到定子绕组，检测运行温度，当温度达到预设值时将触点，精度允许误差为  $\pm 3\%$ 。热传感器一旦连接到控制面板便开始保护电机，避免出现超载和最终烧毁的危险。



Thermal protection	热防护	Type (S01) 类型 (S01)	Type (S02) 类型 (S02)
Switching contact type	开关触点类型	NC	NC
Switch-off Temperature	关闭温度	130°	160°
Tolerance range standard	公差范围标准	$\pm 5\%$	$\pm 5\%$
Operating voltage	工作电压	500V-1100V~	500V-160V~
Nominal current AC (coef = 1.0)	公称电流 AC (coef = 1.0)	2.5A	10A
Nominal current AC (coef = 0.6)	公称电流 AC (coef = 0.6)	1.6A	6.3A
Time cut-off contact	切断触点时间	< 1 ms	< 1 ms
Switching cycles	开关周期	10000	10000
Diameter	直径 (d)	9.4 mm	9.7 mm
Overall height	总高 (h)	4.7 mm	2.6 mm
Length insulation cap	绝缘盖长度 (l)	16 mm	16 mm

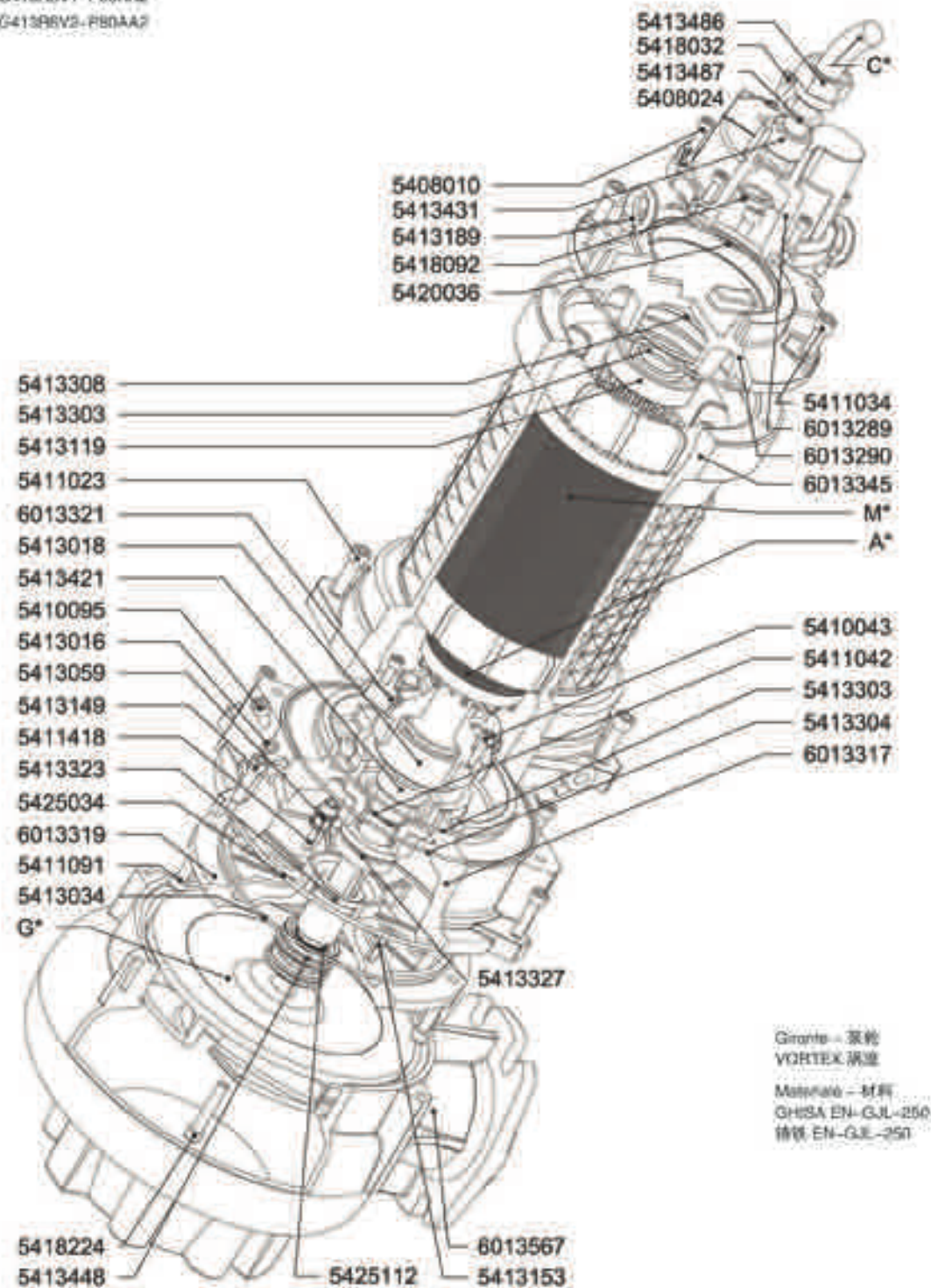


# SUBMERGED SEWAGE PUMP

附录

## DISEGNO IN SEZIONE 截面图

7000189 G413REV1-P80AA2  
7001145 G413REV2-P80AA2



# SUBMERGED SEWAGE PUMP

附录

## SPARE PARTS LIST 备件单

7000189 G413REV1-P80AA2  
7001145 G413REV2-P80AA2

VORTEX 涡流泵  
铸铁 EN-GJL-250  
CAST IRON EN-GJL-250

代码-Code	说明-Description	数量-Qty	个-Placet(i)
5408042	电缆圈 / CABLE RINGS ART 80.38 d.20/23	1	
5407119	螺钉 / SCREW TAPPO M6X10 UNI 5931 A2	1	
5407179	垫圈 / WASHER 6x10x1.5	1	
5407263	埋头螺钉 / GRUB SCREW M6X10 A4 316 UNI 5927	2	
5408010	螺钉 / SCREW M6X25 UNI 5931 A2	5	
5408024	垫圈 / WASHER 8x12x1.5	1	
5410043	螺钉 / SCREW M6X30 UNI 5931 A2	3	
5410095	螺钉 / SCREW TAPPO M10X16 UNI 5931 A2	2	
5411023	螺钉 / SCREW M12X40 UNI 5931 A2	4	
5411034	螺钉 / SCREW M12X30 UNI 5931 A2	4	
5411042	簧环 / G-CLIP E 35 UNI 7435	1	
5411091	螺钉 / SCREW M10X30 UNI 5931 A2	4	
5411418	湿度探头 / HUMIDITY PROBE ALL.20x61.5 eferlop	1	
5413016	垫圈 / WASHER 10x16x2	2	
5413018	轴承 / BEARING 3308A-3RS-C3	1	
5413034	O 形环 / O-RING 4050 NITRILE	1	
5413059	压缩电缆 / PRESS CABLE PG9	1	
5413119	轴承 / BEARING 6308 2RS-C3	1	
5413149	螺钉 / SCREW M10X40 UNI 5931 A2	6	
5413153	主销 / KEY SHAFT 8x7x40 UNI 6604 A4	1	
5413189	吊环 / LIFTING RING M12 A4 DIN 580	2	
5413303	O 形环 / O-RING 2-266 4600 202.79x3.53 NBR	2	
5413304	O 形环 / O-RING 2-274 41000 253.59x3.53 NBR	1	
5413308	预加载弹簧 LMKAS LMKAS / PRELOADING SPRING LMKAS LMKAS 10GB	1	
5413323	埋头螺钉 / GRUB SCREW D.40 G250	1	
5413327	机械密封 / MECHANICAL SEAL FA 35 2-B-X	1	
5413421	耐磨氧化球 / CHROMATE RING 50x35x20	1	
5413431	压缩电缆压盖 / PRESS CABLE GLAND 39.6x22 H25 Neop.	1	
5413448	机械密封 / MECHANICAL SEAL FG1 40 CARB SIL	1	
5413486	压缩电缆 / PRESS CABLE M42x1.5 24.5 AISI304	1	
5413487	垫圈 / WASHER 39.6x24 h3 AISI304	2	
5416030	湿度探头 / HUMIDITY PROBE GLAND NBR	1	
5418032	螺钉 / SCREW TAPPO M6X10 UNI 5931 A2	1	
5418224	螺钉 / SCREW M12x60 UNI 5931 A2	1	
5420036	O 形环 / O-RING 2-251 NBR 129.77X3.53	1	
5425034	O 形环 / O-RING 2-380 NBR 291.47x5.33	1	
5425112	O 形环 / O-RING 2-123 NBR 29.82x2.62NBR 29.82x2.62	1	
6013289	泵头 / PUMP HEAD 13289 G250 B.13	1	
6013290	轴承座 / BEARING SUPPORT 13290 G250	1	
6013317	润滑油室 / OIL-CHAMBER 13317 G250	1	
6013318	润滑油室圆盘 / OIL-CHAMBER DISC 13318 G250	1	
6013321	滚珠轴承盖 / BALL-BEARING COVER 13321 G25	1	
6013345	电机外壳 / MOTOR CASING 13288 H.409 SERIE N.13	1	
6013567	扩压器 / DIFFUSER DN100 6V G25	1	
A* 6213862E	轴+转子 / SHAFT + ROTOR T.4P 13375-13847-420	1	
C* 6411068	电缆 / SUPPLY CABLE H07RN-F 12x2.5	1	
G* 6113562	泵壳 / IMPELLER 255 6V 80 IEC112-132 G250	1	
G* 6113563	泵壳 / IMPELLER 235 6V 80 IEC112-132 G250	1	
M* 6213846E	定子线圈 / WOUND STATOR T.4P 200-125H230	1	
673007	密封工具箱 / SEAL KIT		
678053	启动工具箱 / START UP KIT		
677007	日常维修工具箱 / ORDINARY REPAIR KIT		
679022	全套维修工具箱 / COMPLETE REPAIR KIT		

VQ

D

V

S

M

H

C

T

F

XD

XV

XC

XT

BD

BV

BC

Installation

VX

VW

附录

# SUBMERGED SEWAGE PUMP

附录

CENELEC (EN 60079-0)

ATEX (Dir.94/9/CE)

Ex \* \* \* CE Ex \* \* \*

Protections for the outbreak.European mode Norms.	Code of protection (See note). 防护模式代码 (见注释)	Group of gas: I mine (Methane), II non miniers, IIA Propane, IIB Ethylene, IIC Hydrogen Acetylene. 气体组: I 矿山 (甲烷), II 非矿山, IIA 丙烷, IIB 乙烯, IIC 乙炔	Class of temperature (Group II).Maximum skin temperature: T1 450°C, T2 300°C, T3 200°C, T4 135°C, T5 100°C, T6 85°C. Ambient temperature of reference: -20 + +40°C. 温度等级 (II 组) 最大外壳温度: T1 450° C, T2 300° C, T3 200° C, T4 135° C, T5 100° C, T6 85° C. 基准环境温度: -20 + +40° C.	Brand CE. CE 商标	Communitarian brand. 公有商标	Group equipment: normale I mine, II not mine. 设备组: I 矿山, II 非矿山。	Category M1 very high protection, M2 high protection, 1very high protection, 2 high protection, 3 normal protection. 类设备: M1 较高防护, M2 高防护, 1较高防护, 2 高防护, 3 一般防护。	Type of explosive atmosphere: G gasvapors fog (zone 0-1-2), Dpowder (zone 20-21-22). 爆炸空气类型: G 气体蒸汽雾 (0-1-2 区), D 粉末 (20-21-22区)。
---	---	---	--	-----------------	---------------------------	--	--	---

REMARKS	注释	代码	CENELEC EN	类
general rules	通用规范		60079-0	
loil immersion	油浸	o	60079-6	M2-2
internal overpression	内部过压	p	60079-2	M2-2
pulverulent filling	灰尘填充	q	60079-5	M2-2
casing resistance at explosion	爆炸时外壳阻力	d	60079-1	M2-2
increase security	增安	e	60079-7	M2-2
intrinsic security	本安	ia	60079-11	M1-1
intrinsic security	本安	ib	60079-11	M2-2
covered	覆盖	m	60079-18	M2-2
code of protection	"n" 防护模式	n	60079-15	3
category	类 1G		60079-26	1

All Motor Pumps ATEX Faggiolati are certified Ex dIIBT4.

Instructions for the ATEX version: 1) the maximum temperature of pumped liquid is 45 ° C; 2) use only float switches and control box suitable for potentially explosive atmospheres; 3) always connect thermal protection to control panel; 4) the Pumps ATEX single phase are not supplied with float switch.5) grinder single phase can't supplied with enclosed control panel; 6) humidity probe is not allowed; 7) for ATEX machines, the performance curves and power indicated may be different than the standard product; 8) Minimum submersible level for ATEX type, completely submerged.

所有 Faggiolati 电机泵都获得 ATEX Ex dIIBT4 认证。

ATEX 版说明:

- 1) 泵送液体的最高温度为 45 °C;
- 2) 潜在爆炸性环境只能使用浮子开关和控制柜;
- 3) 总是将热防护连接到控制柜;
- 4) ATEX 版单相泵不提供浮子开关。
- 5) 单相粉碎机不提供封闭控制柜;
- 6) 不允许使用湿度探头;
- 7) ATEX 认证机器标明的性能曲线和功率可能不同于标准产品;
- 8) ATEX 型最低潜水水位, 完全淹没。



U-FLO – RELIABLE BRAND!  
U-flo—可信赖的品牌!

