

長軸深井泵

LONG SHAFT DEEP WELL PUMP



联系我们

WWW.U-FLO.CN

营销总部 Marketing Headquarters

ADD: 南京市栖霞区仙尧路2号移动互联网产业基地1号楼(210046)

Building No.7, Mobile Internet Industry Base, No.2 xiayao RD, Qixia District, Nanjing

TEL: (86)25-52231105 / 52230907 / 52230921 / 84846376 FAX: (86)25-52230912 / 84676563

中国工厂 Chinese Factory

ADD: 南京市溧水经济开发区南区罗马工业园18号 (211200)

18# Rome Industry Park, Southern District, Lishui Economic Development Zone, Nanjing

TEL: (86) 25-56610801 / 56610802 / 56610803 / 56610805 / 56610815 FAX: (86) 25-56610806

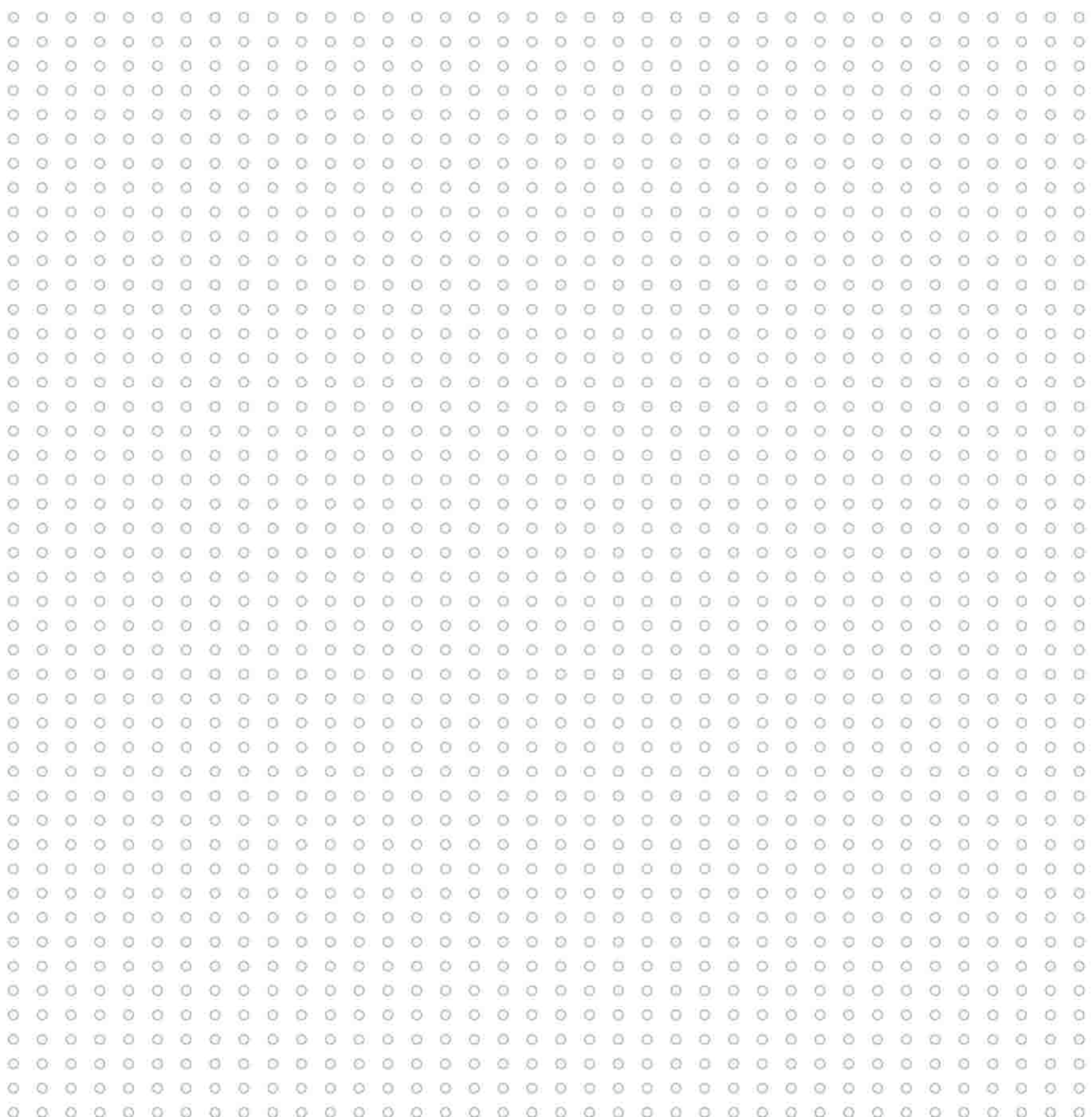
销售服务热线: 400-100-8486 售后服务热线: 400-108-8170

南京方卓品牌设计 | www.njfad.com

VT SERIES
LONG SHAFT
DEEP WELL
PUMP



Contents 目录



03/04 **COMPANY PROFILE** 公司介绍

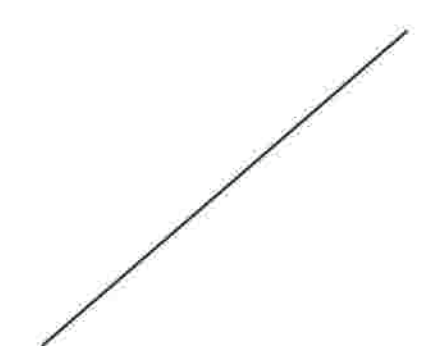
U.S. U-flo
美国尤孚
U-flo in China
尤孚中国

05/123 **PRODUCTS** 产品介绍

VT SERIES
长轴深井泵 VT系列

124/138 **OTHERS** 其他

TECHNICAL APPENDIX
技术附录
CASE STORIES
案例故事





U-flo[®]
Pumps & System

Water Can Fly



U-FLO U.S. 美國尤孚

U-flo Pumps International LLC is a global water pump manufacturing and marketing company registered in Washington, USA. Our cooperated facilities are located in Italy, Japan, Taiwan and China. Our primary products include Deep-well Pumps, Above-ground Pumps, Sewage Pumps, Pumping Systems. They are widely used in power plants, paper mills, steel plants, agriculture irrigations, construction trades, industrial applications, mining operations, municipal utilities as well as oil/gas fields.

Integrity, Innovation, International

Since the first U-FLO water pump was manufactured, our people have been making unremitting endeavor to improve designs of the U-FLO water pump products. We apply the best industry practices and the best suitable materials for key components to the design and manufacturing of our pumps.

In addition to our state of art manufacturing facilities, we put a big effort on pump testing. Every product undergoes a rigorous testing and inspection process before being shipped to our customers. Our test facility incorporates a 12000 cubic meter (52,834 gallon) closed loop system with testing capacity of up to 600m³/h (2640GPM) with the maximum head of 200m (656ft), and 250 horsepower (dual voltages of 50Hz and 60Hz). Following a strict quality management system, all of our facilities are ISO 9001 and ISO 4001 certified.

Water is a vital part of our natural resources. While we always pursue the excellence of our products and services, we also take every step to promote environment-friendly and energy-saving solutions.

As a global pump manufacturer and supplier, U-FLO is committed to producing the finest water pumps in the world and continues to lead the way forward in the pumping industry.

U-FLOPUMPS INTERNATIONAL LLC 是一家总部注册在美国华盛顿州的全球化水泵制造与销售公司。我们在意大利、日本、台湾和中国大陆地区均设有合作工厂。我们主要产品包括深井泵、地面泵、污水泵和供水设备。产品广泛应用于电厂、造纸厂、钢厂、农业灌溉、建筑、工业应用、矿山、市政以及油田领域。

诚信、创新、国际化

自第一台 U-flo 水泵出厂以来，我们一直不懈努力，致力于改进 U-flo 水泵的设计。我们以最高的行业要求和最佳材料设计和制造水泵。

在严抓工艺水平的同时，我们还致力于水泵的测试和检验。每一台水泵在出厂前均需要经过严格的测试和检验。我们的测试台含 12000 立方米 (52,834 加仑) 闭式循环系统，最大测试流量达 600m³/h (2640GPM)，最高扬程为 200m (656ft)，250 马力 (双电压 50Hz、60Hz)。按照严格的质量管理体系，我们所有的工厂均通过 ISO9001 和 ISO14001 认证。

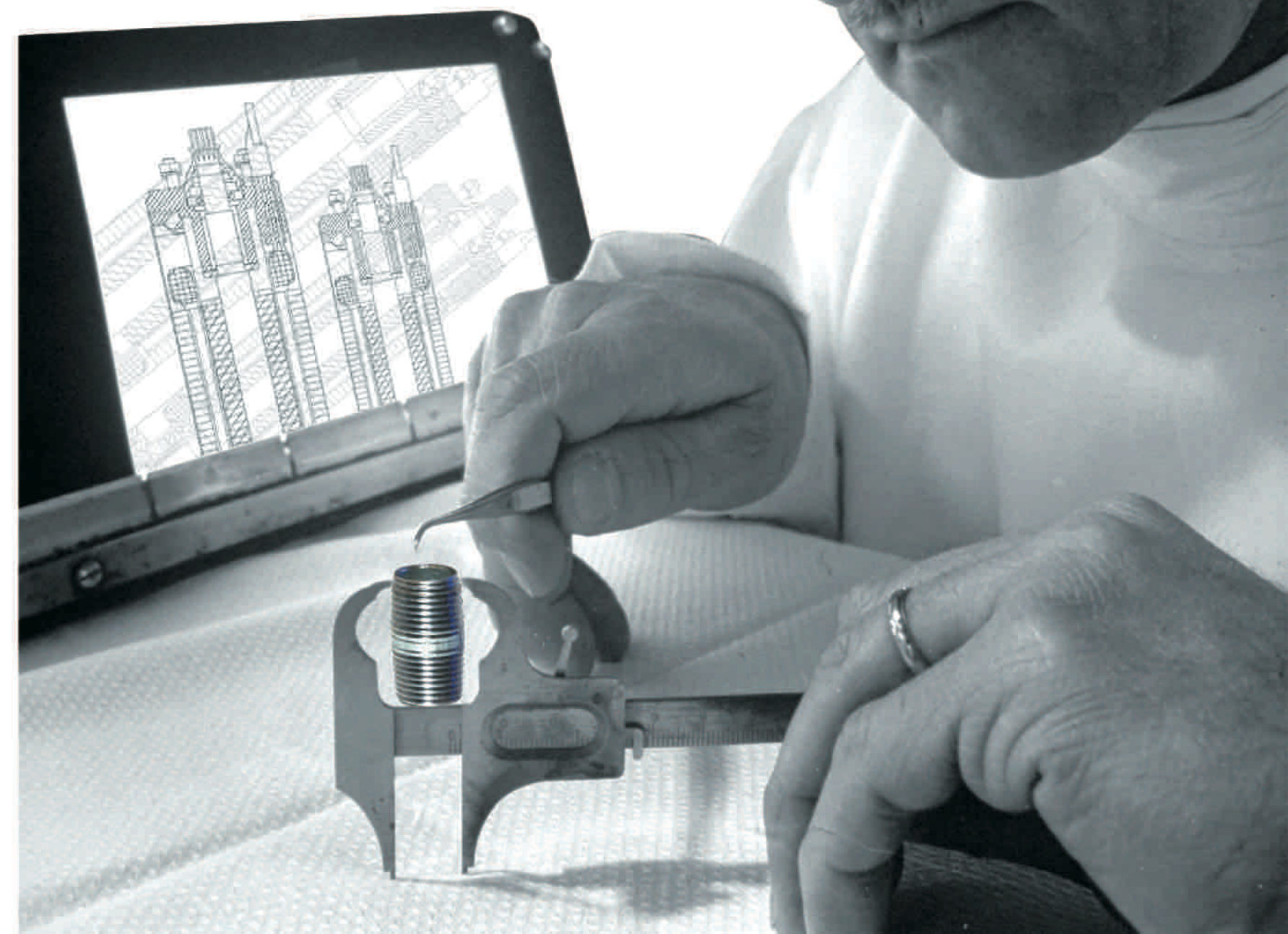
水是自然资源的重要组成部分，我们在追求卓越的产品和服务的同时，亦在努力推广环保和节能解决方案。

作为全球水泵制造商和供应商，U-flo 致力于生产全球最好的水泵，成为水泵行业的领跑者。



Quality witness responsibility Technology create reliability

品质见证责任 专业成就信赖!



Design & production 设计和制造

Design and product are all made internally at U-flo's facilities. U-flo is ISO 9001 and ISO 14000 certified. U-flo is equipped with a control structure and a continuous improvement production process plan that provide, for each product, compliance with the most stringent quality standards in the industry. All VT pumps are end-of-line tested to ensure the correct operation of the installation. The hydraulic performance are controlled and guaranteed according to ISO 9906 grade 2B.

U-flo 自主设计和制造，已获得 ISO 9001 和 ISO 14000 认证。U-flo 为每个产品配备了控制体系以及持续改进生产过程计划，使其符合行业最严格的质量标准。所有 VT 泵都经过末端测试，确保安装后正确运行。液压性能按 ISO 9906 2B 级要求进行控制和保证。

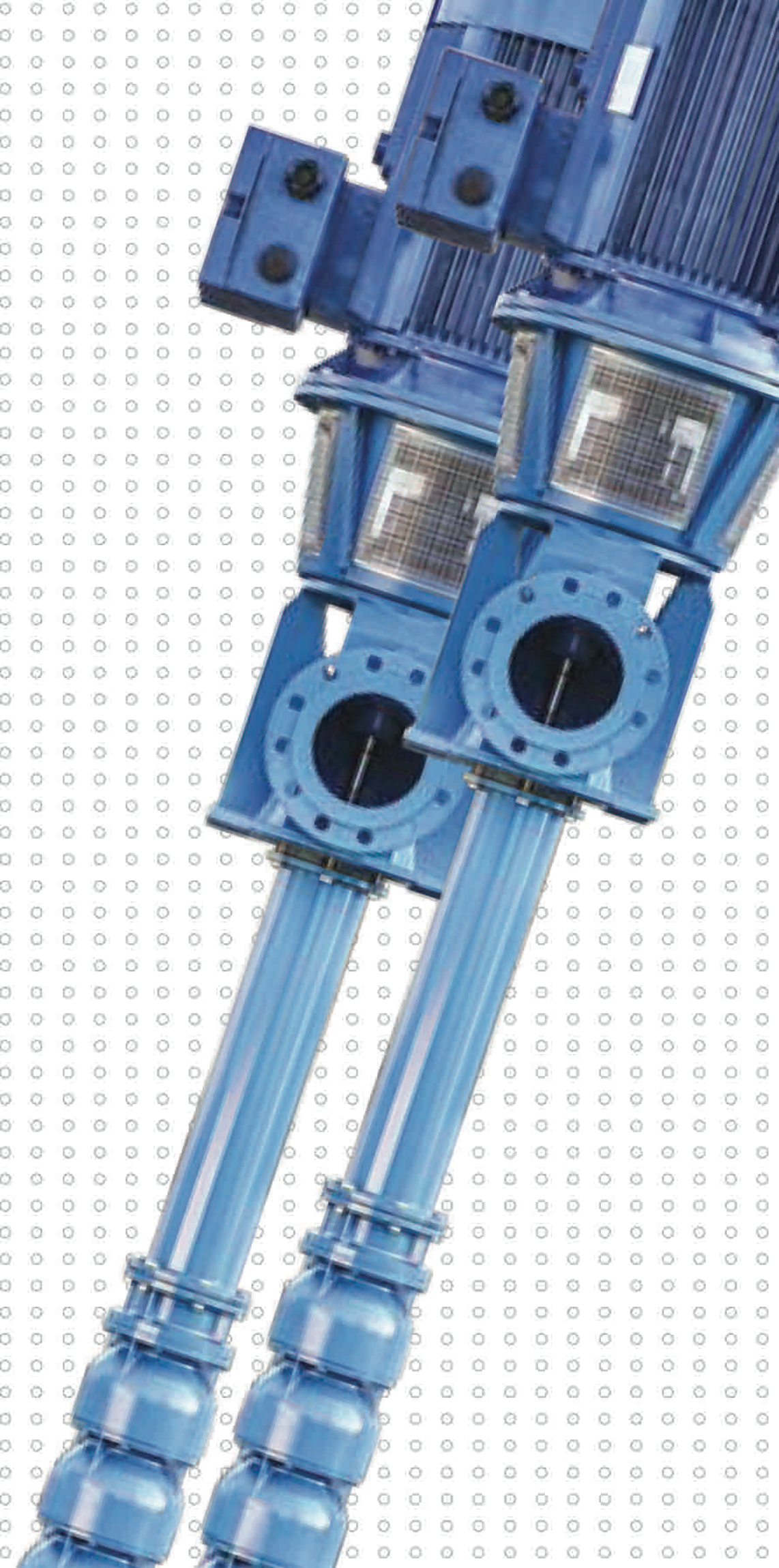
Product application scope 产品应用范围

U-flo offers a line of vertical axis pumps improved in hydraulic design and implemented with new models and solutions specifically developed for various industries such as firefighting equipment, petrochemical, mining plants, power plants. The main fields of application, Pumping units for fire-extinguishing equipment, Water mains, Agricultural Irrigation, Mines, Geothermal water wells, Petrochemical sector, Chemical systems with aggressive and abrasive liquids, Heat treatment facilities for steel factories.

U-flo 系列长轴泵在液压设计方面进行了改进，并采用专为诸如消防设备、石化、采矿业、发电厂等各种行业开发的新型号和解决方案。主要应用于消防用抽水设备、供水主管、农业灌溉、矿场、地热水井、石化行业、具有腐蚀性和研磨性液体的化学系统、钢厂的热处理设施。

U-FLO reserves the right to make modifications without notice.

U-FLO 有权对产品进行修改，恕不另行通知。



LONG SHAFT DEEP WELL PUMP series VT

LONG SHAFT DEEP WELL PUMP

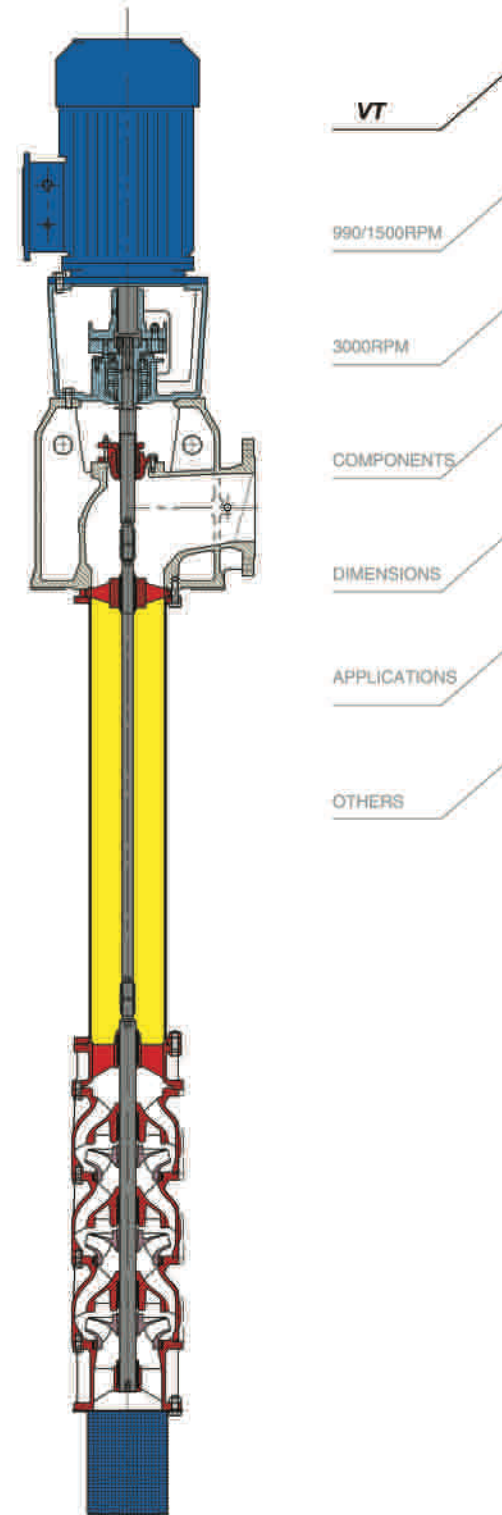
VT SERIES / 长轴深井泵 VT系列

II、MAIN CHARACTERISTICS 主要特点

- Capacity up to 1600m³/h.
 - Pressure up to 400m.
 - High hydraulic efficiency, up to 82%.
 - Thrust bearing (grease or oil with optional external cooling) for use of standard engines.
 - Axis lines with threaded or tapered joints for reliable and durable connection of the shaft.
 - Special bushings resistant to the wear of abrasive liquids and temperatures up to 180°C.
 - Control unit for electric motor, transmission angle or pulley.
 - AISI 420 stainless steel shaft for standard versions.
 - All the models in the range are available in cast iron, bronze and all kinds of stainless steel, including Duplex.
- 流量高达 1600 m³/h.
 - 压力高达 400 m.
 - 高液压效率，高达 82%。
 - 使用标准发动机的推力轴承（油脂型或机油型，可选外部冷却）。
 - 轴线带有螺纹或锥形接头，使轴连接可靠、耐用。
 - 特殊衬套，可耐受磨损液体和高达 180° C 的温度。
 - 电动机、传动角度或滑轮的控制单元。
 - 标准型号的 AISI 420 不锈钢轴。
 - 所有型号均提供铸铁、铜和各种不锈钢，包括双相合金等材质。

Technical operational characteristics for standard versions 标准型号的技术操作特性

- All the hydraulic performance values below are guaranteed in accordance with standard ISO 9906-Grade 2 - Annex A.
 - The published hydraulic performance values do not take into account hydraulic leaking of the foot valves and axis lines.
 - The allowable content of solids in the pumped liquid is 40 g/m³.
 - The maximum working time with closed nozzle is 4 min.
 - All the components wetted with liquid are available in various types of steel and bronze alloy.
- 以下所有液压性能值均符合标准 ISO 9906 - Grade 2- 附录 A 的要求。
 - 公布的液压性能值未考虑吸水阀和轴线的液压泄漏情况。
 - 泵送液体中固体的允许含量为 40 g/m³。
 - 关闭喷嘴的最长工作时间为 4 分钟。
 - 所有用浸水部件可提供各种类型的钢和铜合金材质。



Long shaft deep well pump
VT SERIES

VT

I、Introduction

High efficiency, reliability, and extreme ruggedness, are the main strengths of this suite. The VT line is available with electric motor and, through the Gear Box, with combustion engine. This wide variety of versions and executions, with many materials available, makes this line of pumps extremely versatile for use in areas not served by electricity as emergency units or stock and all major industry sectors. "U-FLO" long shaft Deep well pump has been created for years. The accumulation of experience, the concentration on R&D, outstanding quality and advanced manufacturing technology guarantee our strict production demands.

高效、可靠和超强坚固是这系列产品的主要优势。VT 系列产品有电机，通过齿轮箱与内燃机连接。多种型号、各种材质使得这一系列泵用途多样，可用于非供电区域的应急机组以及所有主要工业领域。

"U-FLO" 长轴深井泵至今已有多年历史，不断积累的经验、在研发上的倾注、优异的质量和最先进的制造技术，无疑是满足生产要求的重要保障。

LONG SHAFT DEEP WELL PUMP

VT SERIES / 长轴深井泵
VT系列

III、MODEL DESCRIPTION 型号说明

VTX 12 A / 8D -18 -4 X 6

- Frequency: 6 = 60 Hz – Nothing = 50 Hz
- Material for Impeller only: same codes as for pump
- Poles of electric motor: 4 = 4 poles – Nothing = 2 poles
- Rated power: --> 18 = 18.5 kW (kW value without decimal points)
 - > Nothing = without motor
 - > CO = oil bearing
 - > RA = with transmission angle
 - > BA = Barrel version
- Number of stages: 8D = 8 impellers and diffusers –
D one or more reduced impellers
- Hydraulic size: 12 = Hydraulic with external diameter of 12" ;
A: capacity
RN/R = radial execution
- Materials of the entire pump: --> X = AISI 316
 - > D = Duplex
 - > B = Bronze
 - > Nothing for Cast Iron
- VT= Name of Line

VTX 12 A / 8D -18 -4 X 6

- 频率: 6 = 60 Hz – 无 = 50 Hz
- 仅用于叶轮的材料: 与泵的代码相同
- 电机极数: 4 = 4 极 – 无 = 2 极
- 额定功率: --> 18 = 18,5 kW (无小数点 kW 值)
 - > 无 = 无电机
 - > CO = 含油轴承
 - > RA = 带传输角
 - > BA = 筒型
- 级数: 8D = 8 叶轮和扩压器 –
D 一个或多个缩颈叶轮
- 水力尺寸: 12 = 外直径为 12" 的水力尺寸;
A: 流量
RN/R = 径向版
- 整泵材料: --> X = AISI 316
 - > D = 双相合金
 - > B = 铜
 - > 铸铁无其它材料
- VT= 产品系列

LONG SHAFT DEEP WELL PUMP

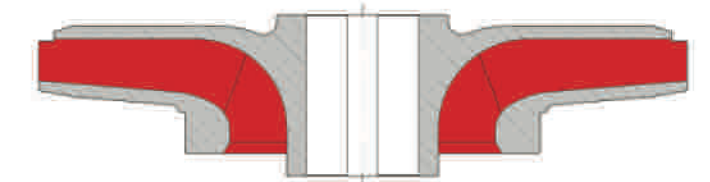
VT SERIES / 长轴深井泵
VT系列

IV、MAIN TECHNICAL AND CONSTRUCTIONAL FEATURES

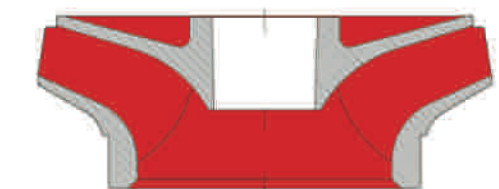
主要技术和构造特点

The impeller is available in radial or semi-axial version for maximum yield in the required working point. On the mouth it has a wearing ring that guarantees high efficiency and low wear even with abrasive liquids. To allow maintenance and disassembly ease, even after years of use, it is secured on the shaft with a tapered bushing that guarantees a perfect alignment.

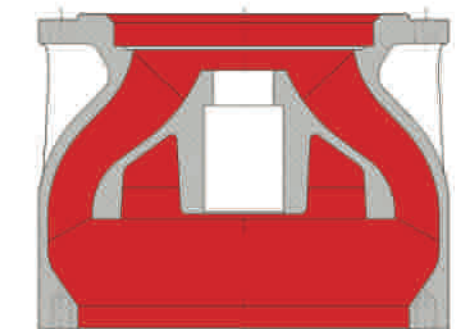
在指定工作点的最大出水量的叶轮有径向或半轴向两种版本。在口部有一个磨损环，即使泵送研磨性液体，也能保证高效率 and 低磨损性能。为方便维护和拆卸，即使使用多年之后，锥形衬套可将其固定在轴上，保证完美对准。



Radial flow impeller 径流叶轮



Semi-axial flow impeller 半轴流式叶轮



Semi-axial flow diffuser 半轴流扩压器

The diffuser, designed to grant high efficiency of the pump, has an abrasion resistant rubber bearing that guarantees long life-span of the shaft. For extremely demanding applications "Ferroform" bearings are available on request.

为了保证泵的高效率，扩压器使用耐磨橡胶轴承，可延长轴的使用寿命。对于非常苛刻的应用要求，可根据客户要求提供 "Ferroform" 轴承。

VT

990/1500RPM

3000RPM

COMPONENTS

DIMENSIONS

APPLICATIONS

OTHERS

LONG SHAFT DEEP WELL PUMP

VT SERIES / 长轴深井泵
VT系列

IV、MAIN TECHNICAL AND CONSTRUCTIONAL FEATURES

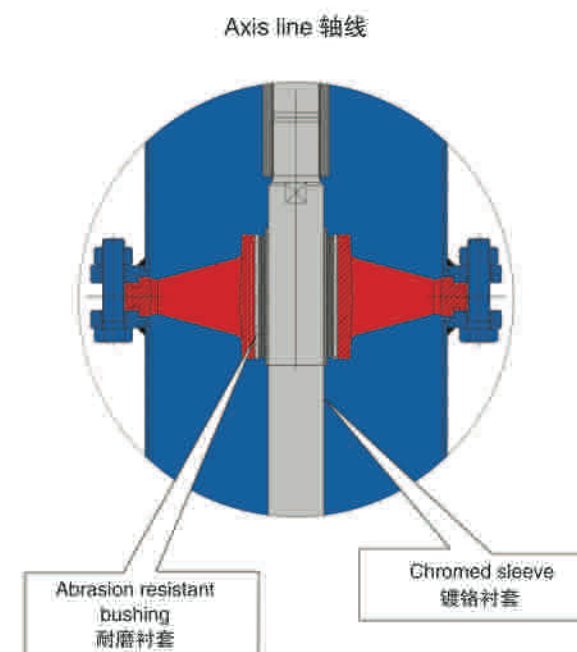
主要技术和构造特点

Axis line houses the transmission shaft on special rubber bearings to ensure optimal lubrication. To optimize its life time, the shaft is protected by a chromed steel shield.

The modules of the axis lines are interconnected with screwed or tapered joints that guarantee perfect alignment and maintenance ease.

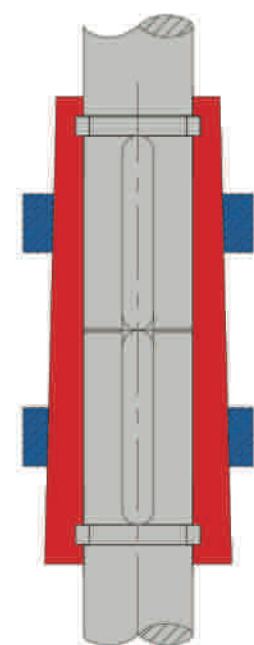
轴线将传动轴安装在特殊橡胶轴承上，可确保最佳润滑效果。

为了优化其使用寿命，轴由镀铬钢屏蔽保护。轴线的模块与螺纹或锥形接头互连，保证完美对准和轻松维护。



The conic coupling is used for all heavy duty applications since it allows a perfect alignment of the shafts and performs with big transmitted power factor; moreover this type of coupling is very simple to service and disassemble even after many years of activity.

锥形连接器用于所有重型应用，因为它使轴完美对准，并且具有较大的传输功率系数；此外，这种类型的连接器即使使用多年后也非常容易维修和拆卸。



Conic coupling 锥形连接器

LONG SHAFT DEEP WELL PUMP

VT SERIES / 长轴深井泵
VT系列

IV、MAIN TECHNICAL AND CONSTRUCTIONAL FEATURES

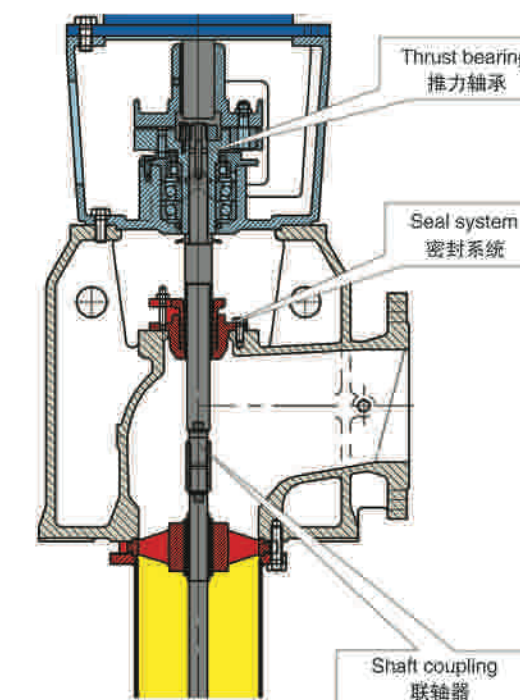
主要技术和构造特点

Delivery drive unit is a highly important part of the pump as it houses the sealing system and the thrust bearing. Available in the version for electric motor or with gear box it has a type of bearing, grease or oil depending on the application, that can withstand axial trust up to 10,000 kg. The oil version permits external cooling of the liquid lubricant.

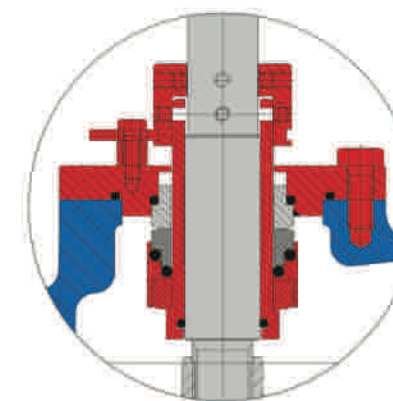
输送驱动机组是泵的一个非常重要的部件，因为它包括密封系统和推力轴承。电动机或齿轮箱型号中有油脂型或机油型轴承，取决于具体应用，可以承受高达 10,000 kg 的轴向推力。机油型允许液体润滑剂外部冷却。

The seals can be of packing or mechanical seal type. The packing type is lubricated by the pumped liquid or externally by means of a dedicated injection device. Mechanical seal, available in all the materials available in the market, has an axial positioning device that guarantee its perfect operation.

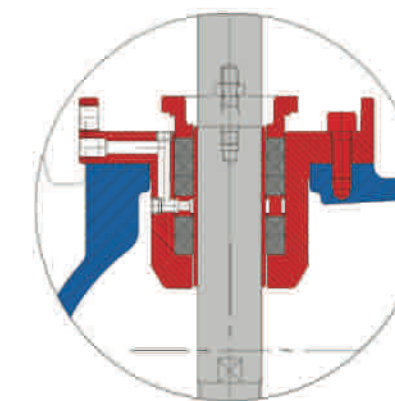
密封可分为填充密封或机械密封两种类型。填充类型由泵送液体润滑或者通过专用注射装置从外部润滑。可使用各种市售材料的机械密封有轴向定位装置，可保证完美运行。



Drive unit 驱动机组



Mechanical seal 机械密封



Gland packing seal 压盖密封

VT

990/1500RPM

3000RPM

COMPONENTS

DIMENSIONS

APPLICATIONS

OTHERS

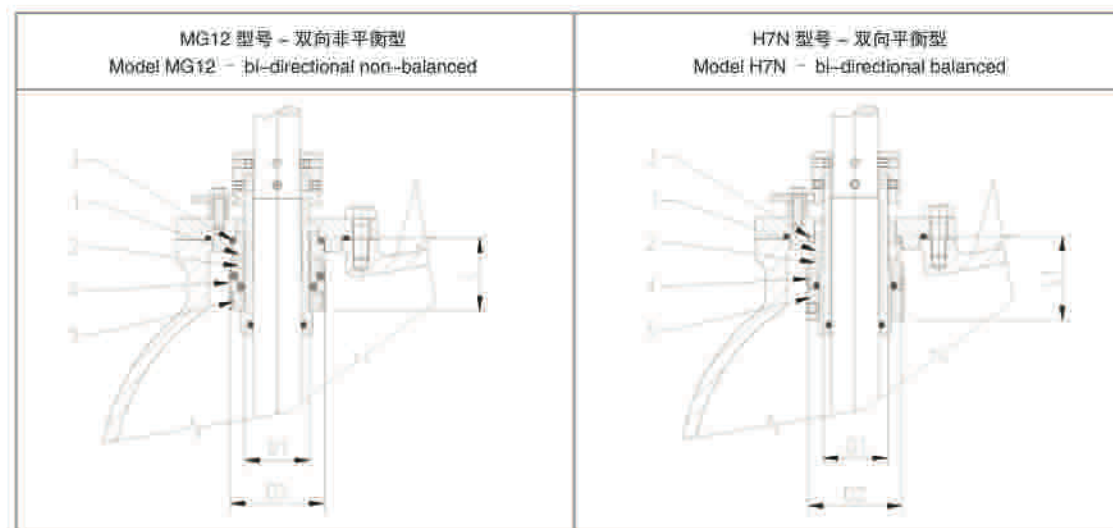
LONG SHAFT DEEP WELL PUMP

VT SERIES / 长轴深井泵
VT系列

V、MECHANICAL SEAL MATERIALS 机械密封材料

The mechanical seals are standardized according to EN 12756 and available on "Balanced" and "Non-balanced" types, with model codes MG12 e H7N

机械密封已按 EN 12756 标准化, 适用于“平衡”和“非平衡”型号, 型号代码为 MG12 和 H7N



Mechanical seals materials 机械密封材料

	POSITION 位置 1 - 2	POSITION 位置 3	POSITION 位置 4 - 5
A	Antimony Impregnated Carbon 浸锡碳合金	E: EPDM	G: AISI 316
Q1	Silicon Carbide 碳化硅	V: FPM	

Dimensions mm. 尺寸

	D1	D2	L1	L2
	28	43	42.5	50
	30	45	42.5	50
	32	48	42.5	50
	35	50	42.5	50
	40	58	45	52.5
	45	63	45	52.5
	50	70	47.5	57.5
	55	75	47.5	57.5
	60	80	52.5	62.5

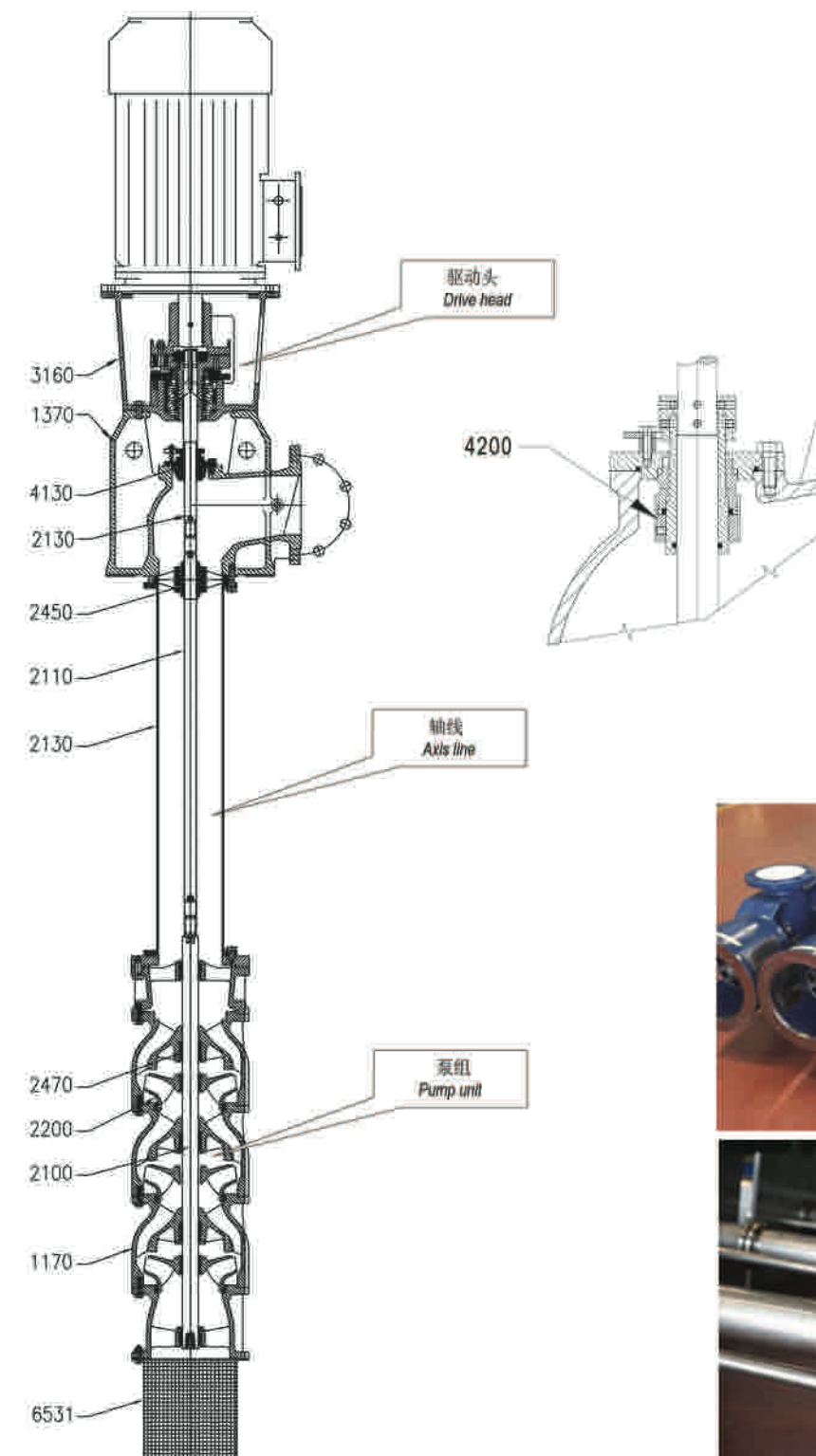
Available Materials Combinations : MG12 - H7N 可用材料组合

Type 型号	POSITION 位置					TEMPERATURE(°C) 温度
	1 Rotating Part 旋转部件	2 Stationary Part 静止部件	3 Elastomers 弹性体	4 Spring 弹簧	5 Other Parts 其他部件	
STANDARD MECHANICAL SEAL 标准机械密封						
AQ1EGG	A	Q1	E	G	G	-30 +120
ON DEMAND MECHANICAL SEALS 按客户要求机械密封						
AQ1VGG	A	Q1	V	G	G	-10 +120
Q1Q1EGG	Q1	Q1	E	G	G	-30 +120
Q1Q1VGG	Q1	Q1	V	G	G	-10 +120

LONG SHAFT DEEP WELL PUMP

VT SERIES / 长轴深井泵
VT系列

VI、PUMP UNIT MATERIALS 泵组材料



- VT
- 990/1500RPM
- 3000RPM
- COMPONENTS
- DIMENSIONS
- APPLICATIONS
- OTHERS

LONG SHAFT DEEP WELL PUMP

VT SERIES / 长轴深井泵
VT系列

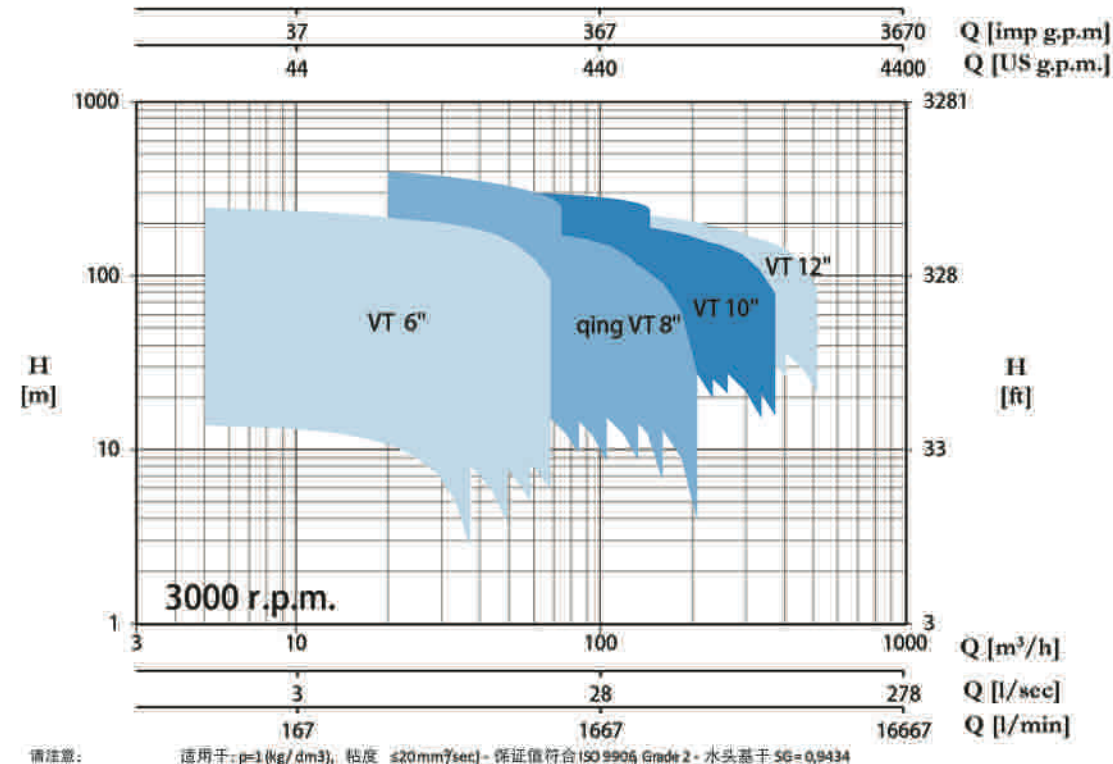
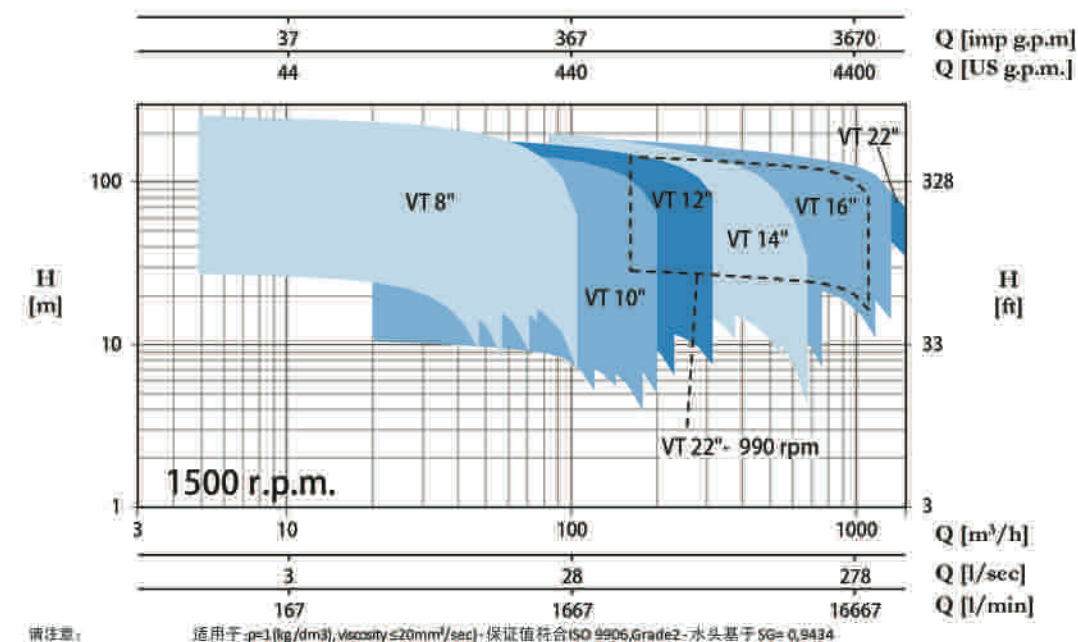
VI、PUMP UNIT MATERIALS 泵组材料

Unit description 机组说明	Part description 部件说明	Rif.	STANDARD 标准		OPTIONAL 可选			
					执行/Execution "X" AISI 316		执行/Execution "D" Duplex	
			EN	ASTM	EN	ASTM	EN	ASTM
Drive head 驱动头	Delivery unit 扬程组	1370	G GG42	A536:Gr.65-A5-12	X2CrNiMo1711	316	X2CrNiMoN2253	S31803
	Shaft 轴	2130	X 30 Cr13	420	X 30 Cr13	420	X2CrNiMoN2253	S31803
	Motor bracket 电机支架	3160	G GG42	A536 :Gr.65-A5-12	G GG42	A536 :Gr.65-A5-12	G GG42	A536 :Gr.65-A5-12
Seals system 密封系统	Gland packing 压盖密封	4130	COTTON + GRAPHITE 棉 + 石墨		PTFE		PTFE	
	Mechanical seal 机械密封	4200	SILICON + SILICON + EPDM 硅 + 硅 + EPDM		SILICON + SILICON + EPDM 硅 + 硅 + EPDM		SILICON + SILICON + EPDM 硅 + 硅 + EPDM	
Axis line 轴线	Shaft 轴	2110	X 30 Cr13	420	X 30 Cr13	420	X2CrNiMoN2253	S31803
	Pipe 管	2130	P235TR1	A 53 Grade A	X2CrNiMo1711	316	X2CrNiMoN2253	S31803
	Bushing 衬套	2450	Rubber 橡胶		Feroform		Feroform	
Pump unit 泵组	Diffuser 扩压器	1170	G G25	A48 : N r.35	X2CrNiMo1711	316	X2CrNiMoN2253	S31803
	Shaft 轴	2100	X 30 Cr13	420	X 30 Cr13	420	X2 CrNiMoN2253	S31803
	Impeller 叶轮	2200	G G25	A48 : N r.35	X2CrNiMo1711	316	X2CrNiMoN2253	S31803
	Bushing 衬套	2470	Gamma /Rubber		Feroform		Feroform	
	Strainer 滤网	6531	X5CrNi1810	304	X2CrNiMo1711	316	X2CrNiMoN2253	S31803

LONG SHAFT DEEP WELL PUMP

VT SERIES / 长轴深井泵
VT系列

VII、PERFORMANCE RANGE 性能范围



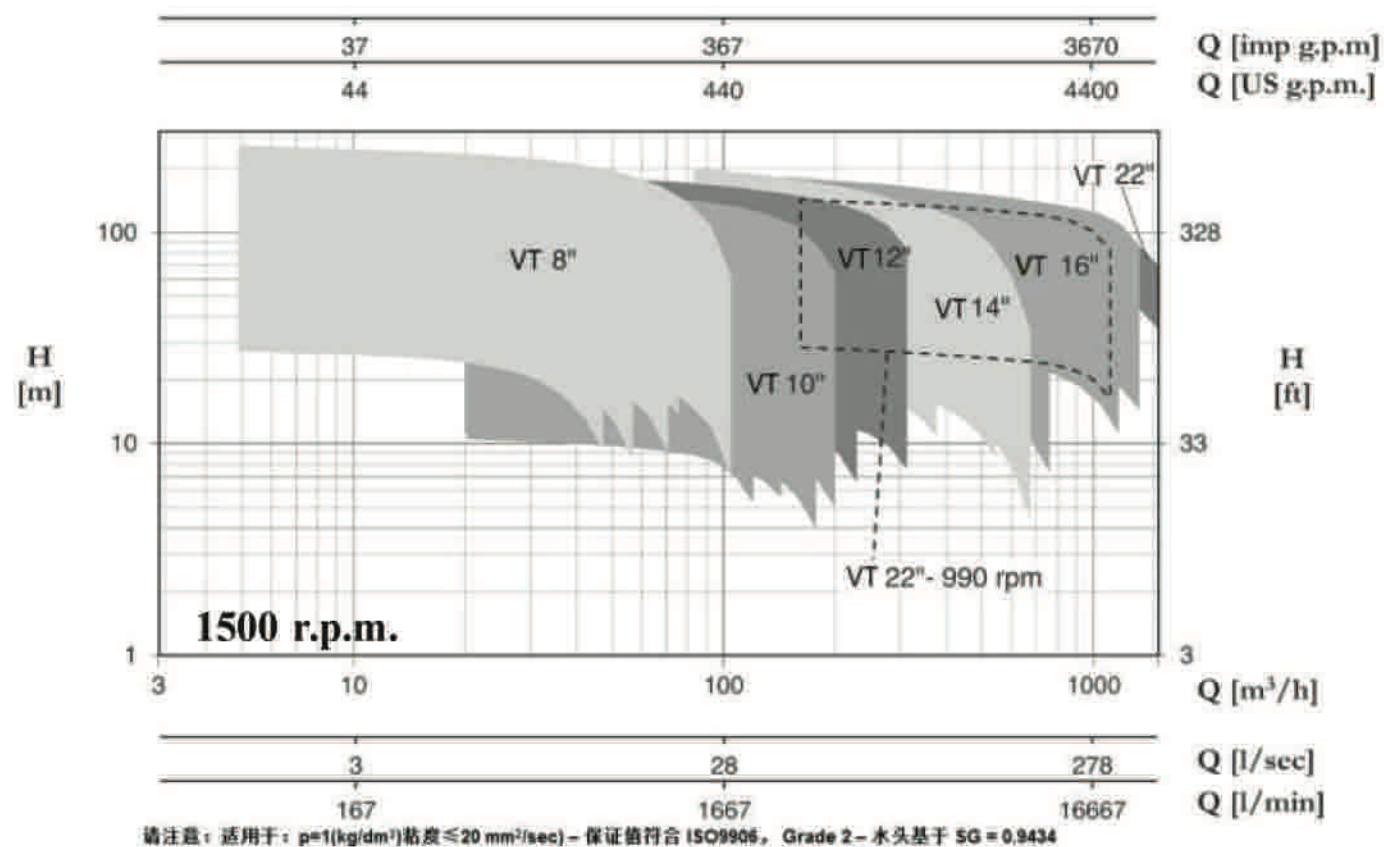
- VT
- 990/1500RPM
- 3000RPM
- COMPONENTS
- DIMENSIONS
- APPLICATIONS
- OTHERS

LONG SHAFT DEEP WELL PUMP

VT SERIES / 长轴深井泵
VT系列

Performance data and curves for product line 990 rpm / 1500 rpm

990 rpm / 1500 rpm产品系列性能数据和曲线



LONG SHAFT DEEP WELL PUMP

VT SERIES / 长轴深井泵
VT系列

VT 8B

1450 r.p.m.

型号/TYPE	kW	Q										
		m³/h	0	10	20	25	30	35	40	45	50	
		l/sec	0	2,78	5,56	6,94	8,33	9,72	11,1	12,5	13,9	
		l/min	0	167	333	417	500	583	667	750	833	
VT 8B / 2	1,5	m	13,6	12,7	11,8	11,1	10,3	9,2	7,8	6,2	4,5	
		kW	0,6	0,8	1,0	1,1	1,2	1,2	1,2	1,2	1,1	
VT 8B / 3	2,2	m	20,3	19,1	17,6	16,7	15,4	13,8	11,7	9,4	6,8	
		kW	0,9	1,2	1,5	1,7	1,8	1,8	1,8	1,8	1,7	
VT 8B / 4	3	m	27,1	25,4	23,5	22,2	20,5	18,4	15,6	12,5	9,0	
		kW	1,3	1,6	2,0	2,2	2,3	2,4	2,4	2,3	2,2	
VT 8B / 5	3	m	33,9	31,8	29,4	27,8	25,7	23,1	19,6	15,6	11,3	
		kW	1,6	2,0	2,5	2,8	2,9	3,0	3,0	2,9	2,8	
VT 8B / 6	4	m	40,7	38,2	35,3	33,3	30,8	27,7	23,5	18,7	13,5	
		kW	1,9	2,4	3,0	3,3	3,5	3,6	3,6	3,5	3,4	
VT 8B / 7	5,5	m	47,5	44,5	41,2	38,9	35,9	32,3	27,4	21,8	15,8	
		kW	2,2	2,8	3,5	3,9	4,1	4,2	4,2	4,1	3,9	
VT 8B / 8	5,5	m	54,2	50,9	47,0	44,4	41,0	36,9	31,3	25,0	18,0	
		kW	2,5	3,3	4,0	4,4	4,7	4,8	4,8	4,7	4,5	
VT 8B / 9	5,5	m	61,0	57,2	52,9	50,0	46,2	41,5	35,2	28,1	20,3	
		kW	2,8	3,7	4,5	5,0	5,3	5,4	5,4	5,3	5,0	
VT 8B / 10	7,5	m	67,8	63,6	58,8	55,5	51,3	46,1	39,1	31,2	22,5	
		kW	3,2	4,1	5,0	5,5	5,9	6,0	6,0	5,9	5,6	
VT 8B / 11	7,5	m	74,6	70,0	64,7	61,1	56,4	50,7	43,0	34,3	24,8	
		kW	3,5	4,5	5,5	6,1	6,5	6,6	6,6	6,5	6,2	
VT 8B / 12	7,5	m	81,4	76,3	70,6	66,6	61,6	55,3	46,9	37,4	27,0	
		kW	3,8	4,9	6,0	6,6	7,0	7,2	7,2	7,0	6,7	
VT 8B / 13	11	m	88,1	82,7	76,4	72,2	66,7	59,9	50,8	40,6	29,3	
		kW	4,1	5,3	6,5	7,2	7,6	7,8	7,8	7,6	7,3	
VT 8B / 14	11	m	94,9	89,0	82,3	77,7	71,8	64,5	54,7	43,7	31,5	
		kW	4,4	5,7	7,0	7,7	8,2	8,4	8,4	8,2	7,9	
VT 8B / 15	11	m	101,7	95,4	88,2	83,3	77,0	69,2	58,7	46,8	33,8	
		kW	4,7	6,1	7,5	8,3	8,8	9,0	9,0	8,8	8,4	
VT 8B / 16	11	m	108,5	101,8	94,1	88,8	82,1	73,8	62,6	49,9	36,0	
		kW	5,0	6,5	8,0	8,8	9,4	9,6	9,6	9,4	9,0	
VT 8B / 17	11	m	115,3	108,1	100,0	94,4	87,2	78,4	66,5	53,0	38,3	
		kW	5,4	6,9	8,6	9,4	10,0	10,3	10,2	10,0	9,5	
VT 8B / 18	11	m	122,0	114,5	105,8	99,9	92,3	83,0	70,4	56,2	40,5	
		kW	5,7	7,3	9,1	9,9	10,6	10,9	10,8	10,6	10,1	

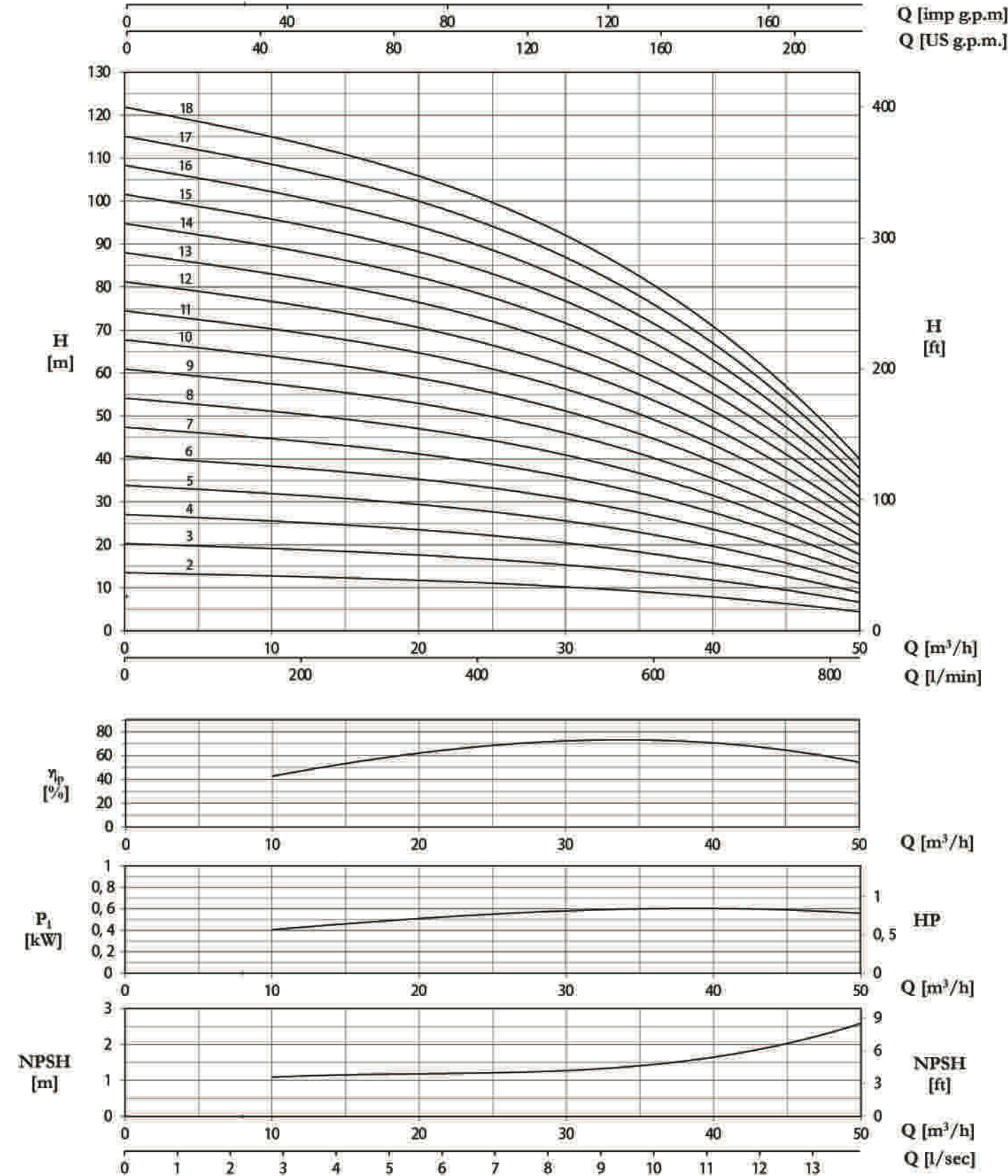
MOTOR 电机		Axis line 轴径	Driveunit 驱动机组	Base 底座	Flange discharge 排放短管	Foot valve 取水阀	Strainer 滤网
kW	Size 尺寸	LA 3/20	E 0/3	B 4/3	DN 100 - PN 25	VF4	SU4
1,5	90		E 1/3				
2,2-3	100		E 2/3				
4	112		E 3/3				
5,5-7,5	132						
11	160						
15	160	LA 3/24					

LONG SHAFT DEEP WELL PUMP

VT SERIES / 长轴深井泵
VT系列

VT 8B

1450 r.p.m.



LONG SHAFT DEEP WELL PUMP

VT SERIES / 长轴深井泵
VT系列

VT 8C

1450 r.p.m.

型号/TYPE	kW	Q									
		m³/h	0	10	20	30	40	45	50	55	60
		l/sec	0	2,78	5,56	8,33	11,1	12,5	13,9	15,3	16,7
		l/min	0	167	333	500	667	750	833	917	1000
VT 8C / 2	1,5	m	15,1	14,0	12,8	11,5	9,8	8,6	7,4	5,9	4,2
		kW	1,0	1,1	1,2	1,3	1,4	1,4	1,4	1,4	1,4
VT 8C / 3	2,2	m	22,6	21,0	19,2	17,2	14,7	12,9	11,1	8,8	6,2
		kW	1,6	1,6	1,8	1,9	2,1	2,1	2,1	2,1	2,0
VT 8C / 4	3	m	30,2	28,0	25,6	23,0	19,6	17,2	14,8	11,8	8,3
		kW	2,1	2,2	2,3	2,6	2,8	2,8	2,8	2,8	2,7
VT 8C / 5	4	m	37,7	35,1	32,0	28,7	24,5	21,5	18,5	14,7	10,4
		kW	2,6	2,7	2,9	3,2	3,5	3,5	3,5	3,5	3,4
VT 8C / 6	5,5	m	45,2	42,1	38,4	34,4	29,3	25,8	22,1	17,6	12,5
		kW	3,1	3,3	3,5	3,9	4,2	4,2	4,2	4,2	4,1
VT 8C / 7	5,5	m	52,8	49,1	44,8	40,2	34,2	30,1	25,8	20,6	14,6
		kW	3,6	3,8	4,1	4,5	4,9	4,9	4,9	4,9	4,8
VT 8C / 8	7,5	m	60,3	56,1	51,2	45,9	39,1	34,4	29,5	23,5	16,6
		kW	4,1	4,4	4,7	5,2	5,6	5,6	5,6	5,6	5,4
VT 8C / 9	7,5	m	67,9	63,1	57,6	51,7	44,0	38,7	33,2	26,5	18,7
		kW	4,7	4,9	5,3	5,8	6,3	6,3	6,3	6,3	6,1
VT 8C / 10	11	m	75,4	70,1	64,0	57,4	48,9	43,0	36,9	29,4	20,8
		kW	5,2	5,5	5,9	6,5	7,0	7,0	7,0	7,0	6,8
VT 8C / 11	11	m	82,9	77,1	70,4	63,1	53,8	47,3	40,6	32,3	22,9
		kW	5,7	6,0	6,4	7,1	7,7	7,7	7,7	7,7	7,5
VT 8C / 12	11	m	90,5	84,1	76,8	68,9	58,7	51,6	44,3	35,3	25,0
		kW	6,2	6,6	7,0	7,8	8,4	8,4	8,4	8,4	8,1
VT 8C / 13	11	m	98,0	91,1	83,2	74,6	63,6	55,9	48,0	38,2	27,0
		kW	6,7	7,1	7,6	8,4	9,1	9,1	9,2	9,1	8,8
VT 8C / 14	11	m	105,6	98,1	89,6	80,4	68,5	60,2	51,7	41,2	29,1
		kW	7,2	7,7	8,2	9,1	9,8	9,8	9,9	9,8	9,5
VT 8C / 15	15	m	113,1	105,2	96,0	86,1	73,4	64,5	55,4	44,1	31,2
		kW	7,8	8,2	8,8	9,7	10,5	10,5	10,6	10,5	10,2
VT 8C / 16	15	m	120,6	112,2	102,4	91,8	78,2	68,8	59,0	47,0	33,3
		kW	8,3	8,8	9,4	10,4	11,2	11,2	11,3	11,2	10,9
VT 8C / 17	15	m	128,2	119,2	108,8	97,6	83,1	73,1	62,7	50,0	35,4
		kW	8,8	9,3	9,9	11,0	11,8	12,0	12,0	11,8	11,5
VT 8C / 18	15	m	135,7	126,2	115,2	103,3	88,0	77,4	66,4	52,9	37,4
		kW	9,3	9,9	10,5	11,7	12,5	12,7	12,7	12,5	12,2

MOTOR 电机		Axis line 轴线	Drive unit 驱动机组	Base 基座	Flange discharge 排液短管	Foot valve 吸水阀	Strainer 滤网
kW	Size 尺寸						
1,5	90	LA 3/20	E 0/3	B 4/3	DN 100 - PN 25	VF4	SU4
2,2-3	100		E 1/3				
4	112		E 2/3				
5,5-7,5	132		E 3/3				
11	160						
15	160	LA 3/24					

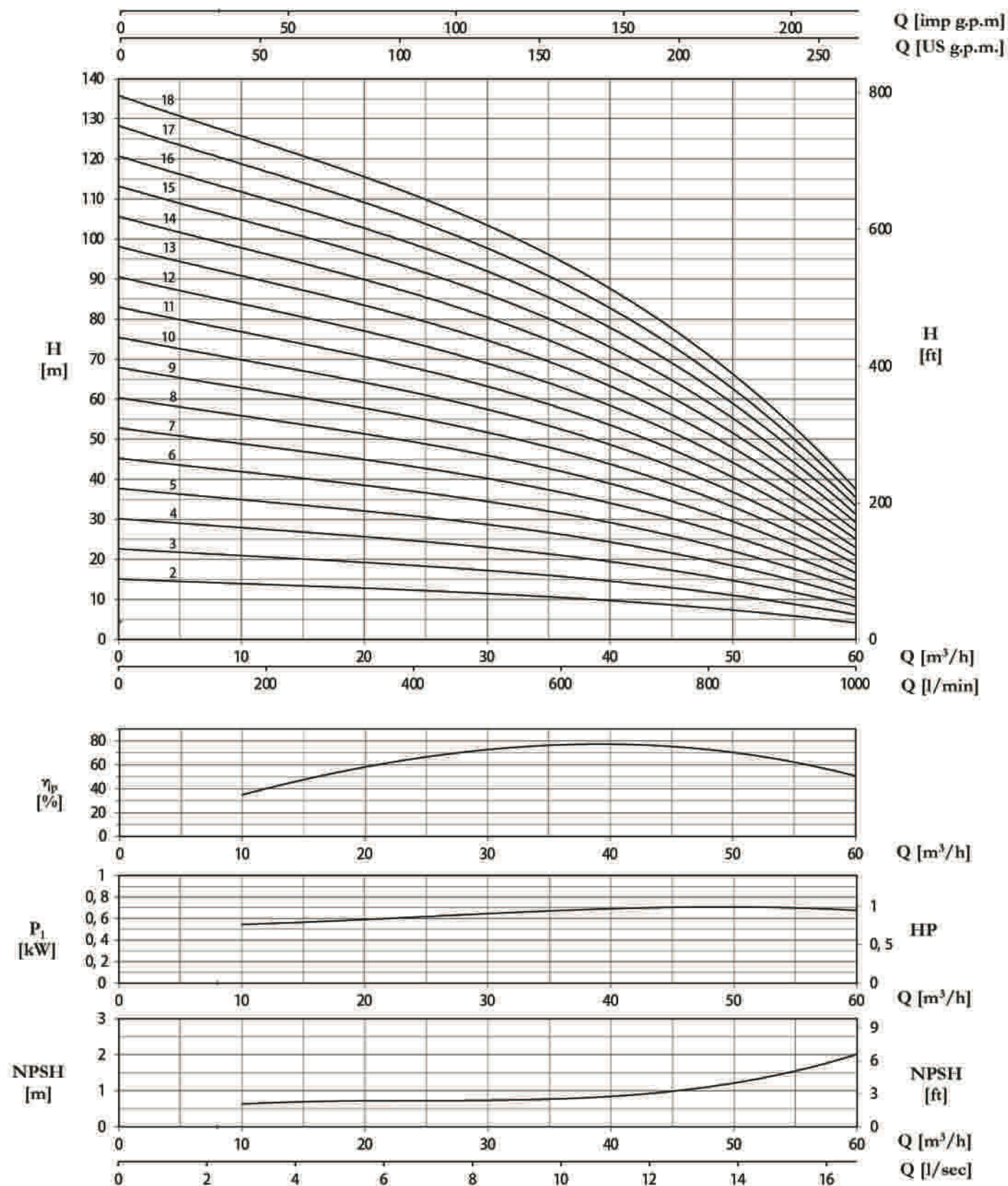
- VT
- 990/1500RPM
- 3000RPM
- COMPONENTS
- DIMENSIONS
- APPLICATIONS
- OTHERS

LONG SHAFT DEEP WELL PUMP

VT SERIES / 长轴深井泵
VT系列

VT 8C

1450 r.p.m.



LONG SHAFT DEEP WELL PUMP

VT SERIES / 长轴深井泵
VT系列

VT 8D

1450 r.p.m.

型号/TYPE	kW	Q									
		m³/h	0	10	20	30	40	50	60	70	75
		l/sec	0	2,78	5,56	8,33	11,1	13,9	16,67	19,44	20,83
		l/min	0	167	333	500	667	833	1000	1167	1250
VT 8D / 2	2,2	m	14,3	13,5	12,7	11,8	10,8	9,7	8,0	5,9	4,5
		kW	1,2	1,3	1,4	1,6	1,7	1,8	1,8	1,8	1,7
VT 8D / 3	3	m	21,4	20,3	19,0	17,6	16,2	14,5	12,0	8,8	6,8
		kW	1,8	2,0	2,2	2,3	2,5	2,7	2,8	2,7	2,6
VT 8D / 4	4	m	28,5	27,0	25,3	23,5	21,6	19,3	16,0	11,7	9,0
		kW	2,5	2,7	2,9	3,1	3,4	3,6	3,7	3,6	3,5
VT 8D / 5	5,5	m	35,7	33,8	31,7	29,4	27,0	24,2	20,0	14,7	11,3
		kW	3,1	3,3	3,6	3,9	4,2	4,5	4,6	4,5	4,3
VT 8D / 6	7,5	m	42,8	40,5	38,0	35,3	32,4	29,0	24,0	17,6	13,5
		kW	3,7	4,0	4,3	4,7	5,1	5,4	5,5	5,3	5,2
VT 8D / 7	7,5	m	49,9	47,3	44,3	41,2	37,8	33,8	28,0	20,5	15,8
		kW	4,3	4,6	5,0	5,4	5,9	6,3	6,4	6,2	6,1
VT 8D / 8	11	m	57,0	54,0	50,6	47,0	43,2	38,6	32,0	23,4	18,0
		kW	4,9	5,3	5,7	6,2	6,8	7,2	7,3	7,1	6,9
VT 8D / 9	11	m	64,2	60,8	57,0	52,9	48,6	43,5	36,0	26,4	20,3
		kW	5,5	6,0	6,5	7,0	7,6	8,1	8,3	8,0	7,8
VT 8D / 10	11	m	71,3	67,5	63,3	58,8	54,0	48,3	40,0	29,3	22,5
		kW	6,1	6,6	7,2	7,8	8,5	9,0	9,2	8,9	8,7
VT 8D / 11	11	m	78,4	74,3	69,6	64,7	59,4	53,1	44,0	32,2	24,8
		kW	6,7	7,3	7,9	8,5	9,3	9,9	10,1	9,8	9,5
VT 8D / 12	15	m	85,6	81,0	76,0	70,6	64,8	58,0	48,0	35,2	27,0
		kW	7,4	8,0	8,6	9,3	10,2	10,8	11,0	10,7	10,4
VT 8D / 13	15	m	92,7	87,8	82,3	76,4	70,2	62,8	52,0	38,1	29,3
		kW	8,0	8,6	9,3	10,1	11,0	11,7	11,9	11,6	11,3
VT 8D / 14	15	m	99,8	94,5	88,6	82,3	75,6	67,6	56,0	41,0	31,5
		kW	8,6	9,3	10,1	10,9	11,8	12,6	12,8	12,5	12,1
VT 8D / 15	15	m	107,0	101,3	95,0	88,2	81,0	72,5	60,0	44,0	33,8
		kW	9,2	9,9	10,8	11,6	12,7	13,5	13,8	13,4	13,0
VT 8D / 16	18,5	m	114,1	108,0	101,3	94,1	86,4	77,3	64,0	46,9	36,0
		kW	9,8	10,6	11,5	12,4	13,5	14,4	14,7	14,3	13,9
VT 8D / 17	18,5	m	121,2	114,8	107,6	100,0	91,8	82,1	68,0	49,8	38,3
		kW	10,4	11,3	12,2	13,2	14,4	15,3	15,6	15,1	14,7
VT 8D / 18	18,5	m	128,3	121,5	113,9	105,8	97,2	86,9	72,0	52,7	40,5
		kW	11,0	11,9	12,9	14,0	15,2	16,2	16,5	16,0	15,6

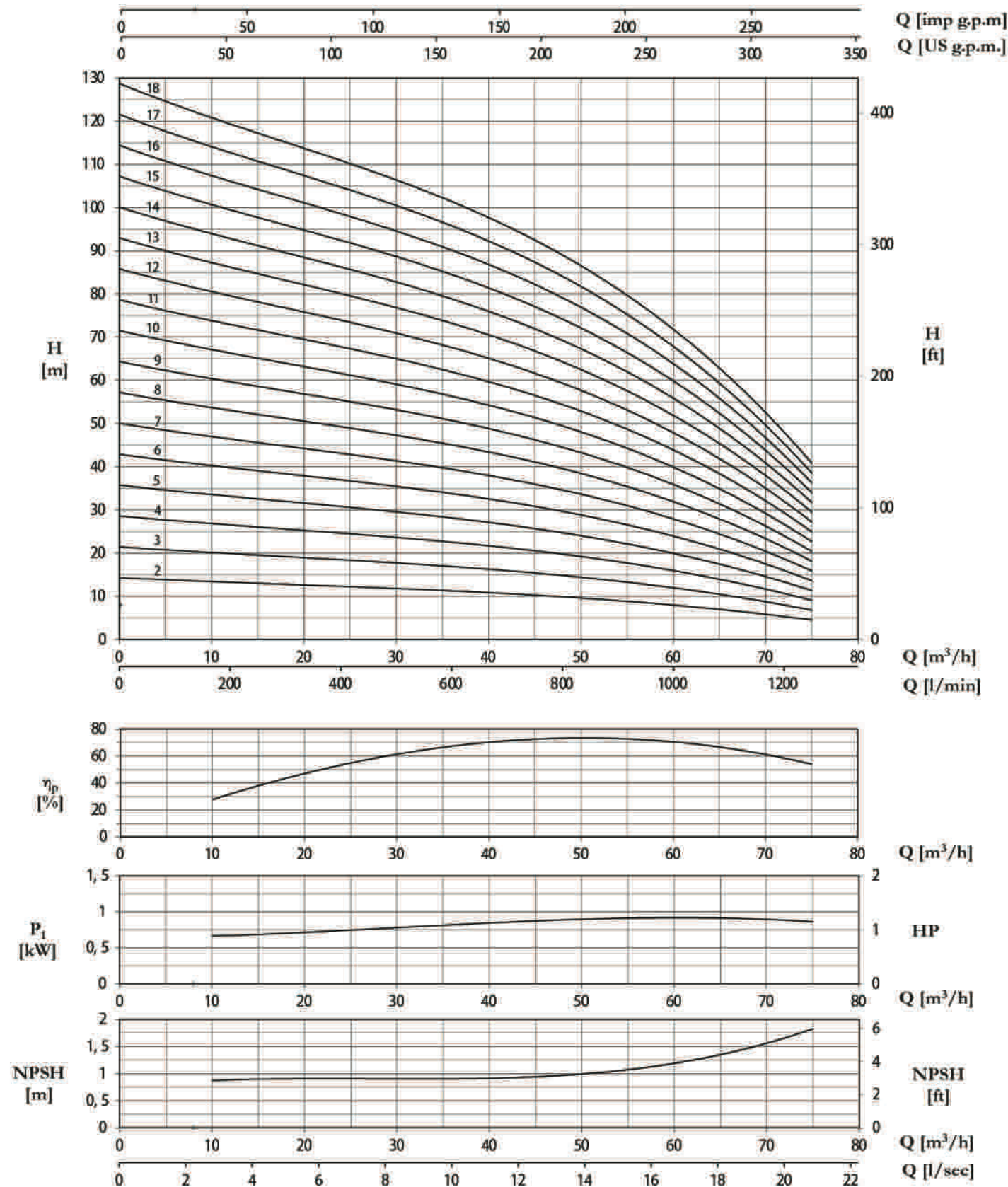
MOTOR 电机		Axis line 轴线	Driveunit 驱动机组	Base 基座	Flange discharge 排放短管	Foot valve 吸水阀	Strainer 滤网
kW	Size 尺寸	LA 3/20	E 1/3	B 4/3	DN 100 - PN 25	VF5	SUS
2,2 - 3	100						
4	112						
5,5 - 7,5	132	LA 3/24	E 2/3	B 4/3	DN 100 - PN 25	VF5	SUS
11	160						
15	180						
18,5 - 22	180		E 4/3				

LONG SHAFT DEEP WELL PUMP

VT SERIES / 长轴深井泵
VT系列

VT 8D

1450 r.p.m.



LONG SHAFT DEEP WELL PUMP

VT SERIES / 长轴深井泵
VT系列

VT 8E

1450 r.p.m.

型号/TYPE	kW	Q										
		m³/h	0	10	20	30	40	50	60	70	80	
		l/sec	0	2,78	5,56	8,33	11,1	13,9	16,7	19,4	22,2	
		l/min	0	167	333	500	667	833	1000	1167	1333	
VT 8E / 2	3	m	14,4	13,8	13,2	12,6	11,9	11,2	10,2	8,9	6,9	
		kW	1,3	1,4	1,6	1,7	1,9	2,1	2,3	2,3	2,3	
VT 8E / 3	4	m	21,5	20,7	19,8	18,8	17,9	16,8	15,3	13,3	10,3	
		kW	2,0	2,2	2,4	2,6	2,8	3,1	3,4	3,5	3,4	
VT 8E / 4	5,5	m	28,7	27,6	26,4	25,1	23,8	22,4	20,4	17,7	13,8	
		kW	2,6	2,9	3,1	3,4	3,8	4,2	4,6	4,6	4,6	
VT 8E / 5	7,5	m	35,9	34,5	33,1	31,4	29,8	28,0	25,5	22,2	17,2	
		kW	3,3	3,6	3,9	4,3	4,7	5,2	5,7	5,8	5,7	
VT 8E / 6	11	m	43,1	41,3	39,7	37,7	35,7	33,6	30,5	26,6	20,6	
		kW	3,9	4,3	4,7	5,1	5,7	6,2	6,8	6,9	6,9	
VT 8E / 7	11	m	50,3	48,2	46,3	44,0	41,7	39,2	35,6	31,0	24,1	
		kW	4,6	5,0	5,5	6,0	6,6	7,3	8,0	8,1	8,0	
VT 8E / 8	11	m	57,4	55,1	52,9	50,2	47,6	44,8	40,7	35,4	27,5	
		kW	5,2	5,8	6,3	6,8	7,6	8,3	9,1	9,3	9,2	
VT 8E / 9	15	m	64,6	62,0	59,5	56,5	53,6	50,4	45,8	39,9	31,0	
		kW	5,9	6,5	7,1	7,7	8,5	9,4	10,3	10,4	10,3	
VT 8E / 10	15	m	71,8	68,9	66,1	62,8	59,5	56,0	50,9	44,3	34,4	
		kW	6,6	7,2	7,9	8,6	9,5	10,4	11,4	11,6	11,5	
VT 8E / 11	15	m	79,0	75,8	72,7	69,1	65,5	61,6	56,0	48,7	37,8	
		kW	7,2	7,9	8,7	9,4	10,4	11,4	12,5	12,7	12,6	
VT 8E / 12	15	m	86,2	82,7	79,3	75,4	71,4	67,2	61,1	53,2	41,3	
		kW	7,9	8,6	9,4	10,3	11,4	12,5	13,7	13,9	13,8	
VT 8E / 13	18,5	m	93,3	89,6	85,9	81,6	77,4	72,8	66,2	57,6	44,7	
		kW	8,5	9,4	10,2	11,1	12,3	13,5	14,8	15,0	14,9	
VT 8E / 14	18,5	m	100,5	96,5	92,5	87,9	83,3	78,4	71,3	62,0	48,2	
		kW	9,2	10,1	11,0	12,0	13,3	14,6	16,0	16,2	16,1	
VT 8E / 15	22	m	107,7	103,4	99,2	94,2	89,3	84,0	76,4	66,5	51,6	
		kW	9,8	10,8	11,8	12,8	14,2	15,6	17,1	17,4	17,2	
VT 8E / 16	22	m	114,9	110,2	105,8	100,5	95,2	89,6	81,4	70,9	55,0	
		kW	10,5	11,5	12,6	13,7	15,2	16,6	18,2	18,5	18,4	
VT 8E / 17	22	m	122,1	117,1	112,4	106,8	101,2	95,2	86,5	75,3	58,5	
		kW	11,1	12,2	13,4	14,5	16,1	17,7	19,4	19,7	19,5	
VT 8E / 18	30	m	129,2	124,0	119,0	113,0	107,1	100,8	91,6	79,7	61,9	
		kW	11,8	13,0	14,2	15,4	17,0	18,7	20,5	20,8	20,7	

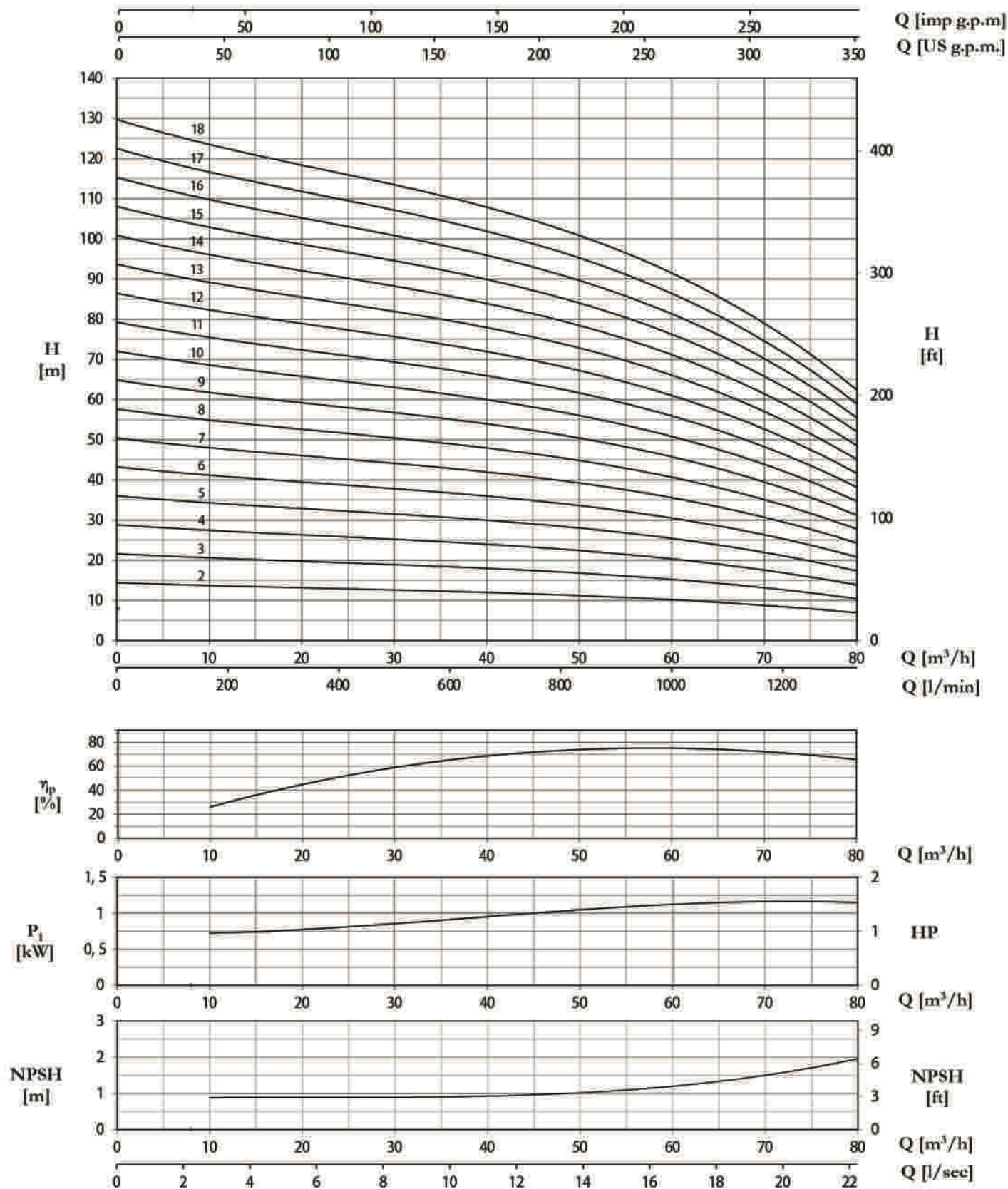
MOTOR 电机		Axis line 轴核	Drive unit 驱动机组	Base 底座	Flange discharge 排放接管	Foot valve 吸水阀	Strainer 滤网
kW	Size 尺寸	LA 3/20	E 1/3 E 2/3 E 3/3 E 4/3	B 4/3	DN 100 - PN 25	VF5	SUS
2,2 - 3	100						
4	112						
5,5 - 7,5	132						
11	160	LA 3/24	E 3/3 E 4/3	B 4/3	DN 100 - PN 25	VF5	SUS
15	180						
18,5 - 22	180						

LONG SHAFT DEEP WELL PUMP

VT SERIES / 长轴深井泵
VT系列

VT 8 E

1450 r.p.m.



LONG SHAFT DEEP WELL PUMP

VT SERIES / 长轴深井泵
VT系列

VT 8 F

1450 r.p.m.

型号/TYPE	kW	Q										
		m³/h	0	20	40	60	70	80	90	100	110	
		l/sec	0	5,56	11,1	16,7	19,4	22,2	25,0	27,8	30,6	
		l/min	0	333	667	1000	1167	1333	1500	1667	1833	
VT 8F / 2	3	m	13,8	12,9	11,6	10,2	9,3	8,2	7,0	5,5	3,5	
		kW	1,8	2,0	2,2	2,3	2,4	2,4	2,4	2,3	2,2	
VT 8F / 3	4	m	20,6	19,3	17,5	15,4	14,0	12,4	10,4	8,2	5,3	
		kW	2,7	3,0	3,2	3,5	3,6	3,6	3,6	3,5	3,3	
VT 8F / 4	5,5	m	27,5	25,7	23,3	20,5	18,7	16,5	13,9	10,9	7,0	
		kW	3,6	3,9	4,3	4,7	4,8	4,8	4,8	4,7	4,4	
VT 8F / 5	7,5	m	34,4	32,2	29,1	25,6	23,4	20,6	17,4	13,7	8,8	
		kW	4,5	4,9	5,4	5,8	6,0	6,0	6,0	5,9	5,5	
VT 8F / 6	7,5	m	41,3	38,6	34,9	30,7	28,0	24,7	20,9	16,4	10,6	
		kW	5,4	5,9	6,5	7,0	7,1	7,2	7,2	7,0	6,6	
VT 8F / 7	11	m	48,2	45,0	40,7	35,8	32,7	28,8	24,4	19,1	12,3	
		kW	6,3	6,9	7,5	8,2	8,3	8,4	8,4	8,2	7,7	
VT 8F / 8	11	m	55,0	51,4	46,6	41,0	37,4	33,0	27,8	21,8	14,1	
		kW	7,2	7,9	8,6	9,3	9,5	9,6	9,6	9,4	8,8	
VT 8F / 9	11	m	61,9	57,9	52,4	46,1	42,0	37,1	31,3	24,6	15,8	
		kW	8,1	8,9	9,7	10,5	10,7	10,8	10,8	10,5	9,9	
VT 8F / 10	15	m	68,8	64,3	58,2	51,2	46,7	41,2	34,8	27,3	17,6	
		kW	9,0	9,9	10,8	11,7	11,9	12,0	12,0	11,7	11,0	
VT 8F / 11	15	m	75,7	70,7	64,0	56,3	51,4	45,3	38,3	30,0	19,4	
		kW	9,9	10,8	11,8	12,8	13,1	13,2	13,1	12,9	12,0	
VT 8F / 12	15	m	82,6	77,2	69,8	61,4	56,0	49,4	41,8	32,8	21,1	
		kW	10,8	11,8	12,9	14,0	14,3	14,4	14,3	14,0	13,1	
VT 8F / 13	18,5	m	89,4	83,6	75,7	66,6	60,7	53,6	45,2	35,5	22,9	
		kW	11,7	12,8	14,0	15,1	15,5	15,6	15,5	15,2	14,2	
VT 8F / 14	18,5	m	96,3	90,0	81,5	71,7	65,4	57,7	48,7	38,2	24,6	
		kW	12,6	13,8	15,1	16,3	16,7	16,8	16,7	16,4	15,3	
VT 8F / 15	18,5	m	103,2	96,5	87,3	76,8	70,1	61,8	52,2	41,0	26,4	
		kW	13,5	14,8	16,1	17,5	17,9	18,0	17,9	17,6	16,4	
VT 8F / 16	22	m	110,1	102,9	93,1	81,9	74,7	65,9	55,7	43,7	28,2	
		kW	14,4	15,8	17,2	18,6	19,0	19,2	19,1	18,7	17,5	
VT 8F / 17	22	m	117,0	109,3	98,9	87,0	79,4	70,0	59,2	46,4	29,9	
		kW	15,3	16,7	18,3	19,8	20,2	20,4	20,3	19,9	18,6	
VT 8F / 18	22	m	123,8	115,7	104,8	92,2	84,1	74,2	62,6	49,1	31,7	
		kW	16,2	17,7	19,4	21,0	21,4	21,6	21,5	21,1	19,7	

MOTOR 电机		Axis line 轴径	Drive unit 驱动机组	Base 底座	Flange discharge 排放接管	Foot valve 取水阀	Strainer 滤网
kW	Size 尺寸						
3	100	LA 4/20	E 1/4	B 4/4	DN 100 - PN 25	VF5	SUS
4	112		E 2/4				
5,5 - 7,5	132		E 3/4				
11	160	E 4/4					
15	180	LA 4/24	E 5/4				
18,5 - 22	180	LA 4/24	E 5/4				
30	200	LA 4/30	E 5/4				

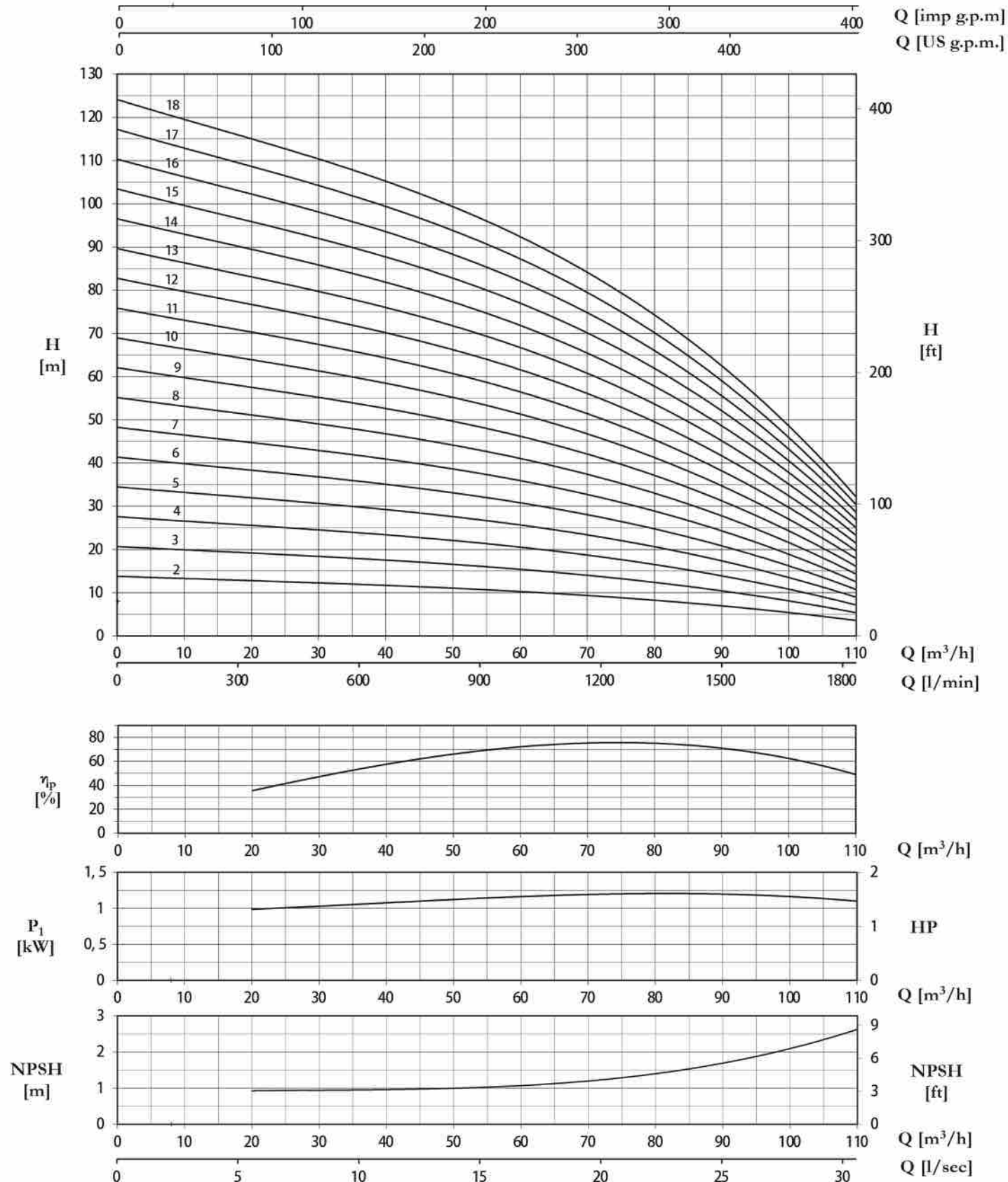
- VT
- 990/1500RPM
- 3000RPM
- COMPONENTS
- DIMENSIONS
- APPLICATIONS
- OTHERS

LONG SHAFT DEEP WELL PUMP

VT SERIES / 长轴深井泵
VT系列

VT 8F

1450 r.p.m.



LONG SHAFT DEEP WELL PUMP

VT SERIES / 长轴深井泵
VT系列

VT 10A

1470 r.p.m.

TYPE 型号	kW	Q										
		m³/h	0	12	24	36	48	63	75	87	99	111
		l/sec	0	3,3	6,7	10,0	13,3	17,5	20,8	24,2	27,5	30,8
		l/min	0	200	400	600	800	1050	1250	1450	1650	1850
VT 10A / 1L	2,2	m	9,3	8,8	8,4	8,0	7,6	6,8	6,0	--	--	--
		kW	1,1	1,2	1,2	1,3	1,4	1,6	1,6	--	--	--
VT 10A / 1C	3	m	11,8	11,3	10,9	10,5	10,1	9,5	8,9	8,2	7,3	--
		kW	1,8	1,8	1,9	2,0	2,1	2,3	2,4	2,5	2,6	--
VT 10A / 1	4	m	12,6	12,1	11,7	11,3	10,9	10,3	9,8	9,1	8,3	7,2
		kW	2,0	2,1	2,1	2,3	2,4	2,6	2,7	2,8	2,9	2,9
VT 10A / 2L	4	m	18,6	17,7	16,9	16,1	15,1	13,6	11,9	--	--	--
		kW	2,3	2,3	2,5	2,7	2,9	3,1	3,2	--	--	--
VT 10A / 2C	5,5	m	23,6	22,7	21,9	21,1	20,3	19,1	17,9	16,4	14,5	--
		kW	3,6	3,6	3,8	4,0	4,3	4,6	4,8	5,0	5,1	--
VT 10A / 2	7,5	m	25,1	24,2	23,4	22,6	21,8	20,6	19,5	18,2	16,5	14,5
		kW	4,1	4,1	4,3	4,5	4,8	5,1	5,4	5,6	5,8	5,8
VT 10A / 3F	7,5	m	31,8	30,4	29,2	28,0	26,7	24,7	22,7	20,0	--	--
		kW	4,4	4,5	4,7	5,0	5,4	5,8	6,1	6,3	--	--
VT 10A / 3C	11	m	35,4	34,0	32,8	31,6	30,4	28,6	26,8	24,6	21,8	--
		kW	5,4	5,5	5,7	6,0	6,4	6,9	7,3	7,5	7,7	--
VT 10A / 3	11	m	37,7	36,3	35,0	33,9	32,7	31,0	29,3	27,3	24,8	21,7
		kW	6,1	6,2	6,4	6,8	7,2	7,7	8,1	8,4	8,6	8,8
VT 10A / 4F	11	m	42,4	40,5	38,9	37,4	35,6	33,0	30,2	26,7	--	--
		kW	5,8	6,0	6,3	6,7	7,2	7,7	8,1	8,3	--	--
VT 10A / 4C	11	m	47,2	45,3	43,7	42,2	40,5	38,1	35,7	32,8	29,1	--
		kW	7,2	7,3	7,6	8,0	8,5	9,2	9,7	10,0	10,3	--
VT 10A / 4	15	m	50,2	48,4	46,7	45,2	43,6	41,3	39,1	36,3	33,0	28,9
		kW	8,1	8,2	8,6	9,0	9,5	10,2	10,8	11,2	11,5	11,7
VT 10A / 5C	15	m	59,0	56,7	54,6	52,7	50,7	47,7	44,7	41,0	36,4	--
		kW	8,9	9,1	9,5	10,1	10,7	11,5	12,1	12,6	12,8	--
VT 10A / 5	15	m	62,8	60,5	58,4	56,5	54,5	51,6	48,8	45,4	41,3	36,1
		kW	10,1	10,3	10,7	11,3	11,9	12,8	13,4	14,0	14,4	14,6
VT 10A / 6	18,5	m	75,3	72,5	70,1	67,8	65,3	61,9	58,6	54,5	49,5	43,4
		kW	12,2	12,4	12,8	13,5	14,3	15,3	16,1	16,8	17,3	17,5
VT 10A / 7	22	m	87,9	84,6	81,8	79,0	76,2	72,2	68,3	63,6	57,8	50,6
		kW	14,2	14,4	15,0	15,8	16,7	17,9	18,8	19,6	20,2	20,4
VT 10A / 8	30	m	100,4	96,7	93,5	90,3	87,1	82,5	78,1	72,7	66,0	57,8
		kW	16,2	16,5	17,1	18,0	19,1	20,5	21,5	22,4	23,1	23,4
VT 10A / 9	30	m	113,0	108,8	105,1	101,6	98,0	92,9	87,9	81,8	74,3	65,1
		kW	18,2	18,6	19,3	20,3	21,5	23,0	24,2	25,2	25,9	26,3
VT 10A / 10	30	m	125,5	120,9	116,8	112,9	108,9	103,2	97,6	90,9	82,5	72,3
		kW	20,3	20,6	21,4	22,5	23,8	25,6	26,9	28,0	28,8	29,2
VT 10A / 11	37	m	138,1	133,0	128,5	124,2	119,8	113,5	107,4	100,0	90,8	79,5
		kW	22,3	22,7	23,6	24,8	26,2	28,1	29,6	30,8	31,7	32,1
VT 10A / 12	37	m	150,6	145,1	140,2	135,5	130,7	123,8	117,2	109,0	99,0	86,8
		kW	24,3	24,7	25,7	27,0	28,6	30,7	32,3	33,6	34,6	35,1
VT 10A / 13	45	m	163,2	157,2	151,9	146,8	141,6	134,1	126,9	118,1	107,3	94,0
		kW	26,3	26,8	27,8	29,3	31,0	33,2	35,0	36,4	37,5	38,0

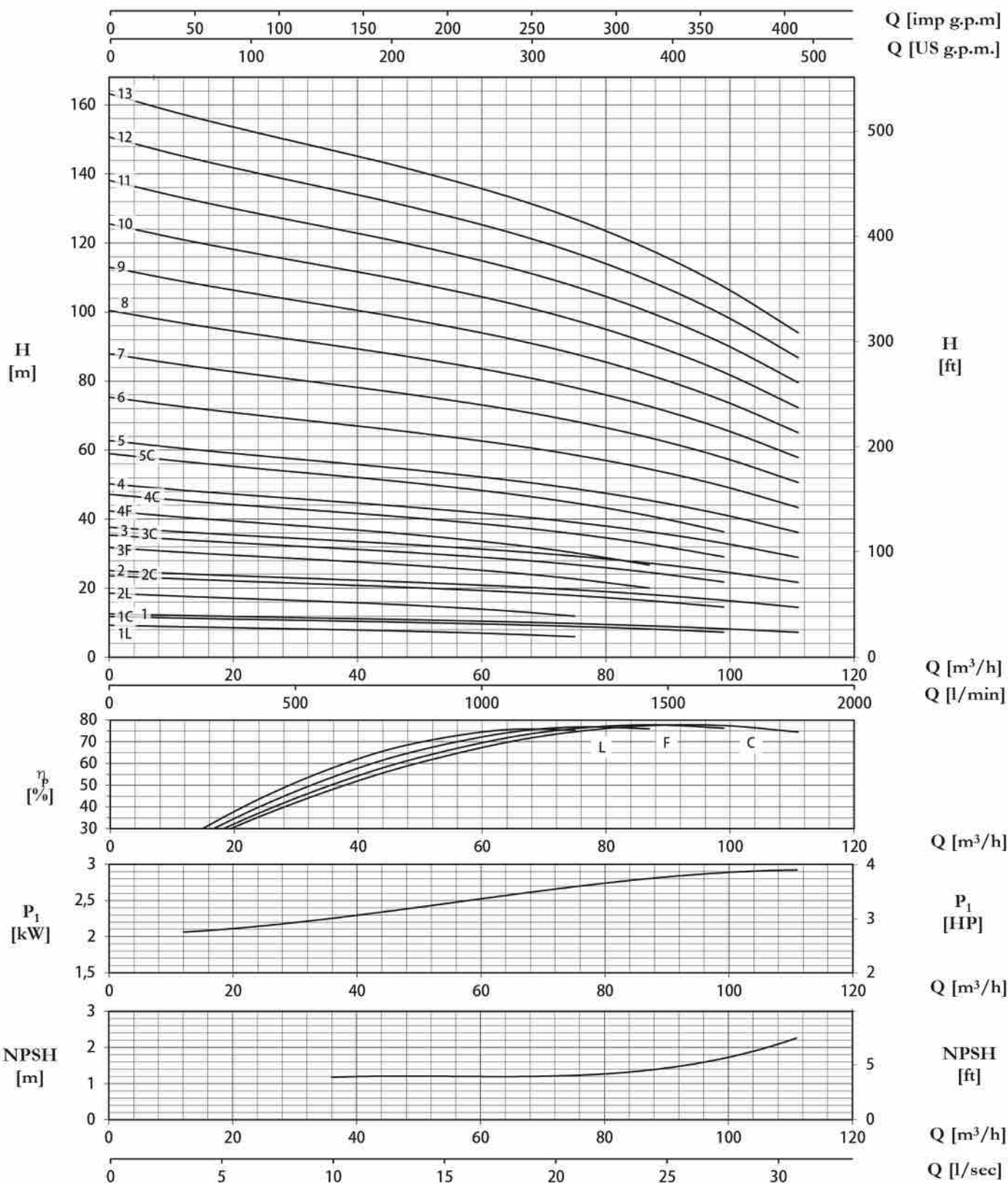
MOTOR 电机		Axis line	Driveunit	Base	Flange discharge	Foot valve	Strainer
kW	Size 尺寸	轴径	驱动机组	底座	排放短管	取水阀	滤网
2,2 - 3	100	LA 4/20	E 1/4	B 4/4	DN 100 - PN 25	VF6	SU6
4	112		E 2/4				
5,5 - 7,5	132		E 3/4				
11	160	LA 4/24	E 4/4				
15	180		E 5/4				
18,5 - 22	200		E 6/4				
30	225	LA 4/30					
37 - 45	225						

LONG SHAFT DEEP WELL PUMP

VT SERIES / 长轴深井泵
VT系列

VT 10A

1470 r.p.m.



请注意: 适用于: $\rho=1(\text{kg}/\text{dm}^3)$ 粘度 $\leq 20 \text{ mm}^2/\text{sec}$ - 保证值符合 ISO9906, Grade 2 - 水头基于 SG = 1

LONG SHAFT DEEP WELL PUMP

VT SERIES / 长轴深井泵
VT系列

VT 10B

1470 r.p.m.

TYPE 型号	kW	Q										
		m³/h	0	15	30	48	63	78	93	111	126	141
		l/sec	0	4,2	8,3	13,3	17,5	21,7	25,8	30,8	35,0	39,2
		l/min	0	250	500	800	1050	1300	1550	1850	2100	2350
VT 10B / 1L	2,2	m	8,8	8,3	7,9	7,5	7,0	6,2	5,1	--	--	--
		kW	1,4	1,4	1,4	1,6	1,7	1,8	1,8	--	--	--
VT 10B / 1C	3	m	11,2	10,6	10,2	9,8	9,4	8,9	8,2	7,1	5,7	--
		kW	2,2	2,1	2,2	2,3	2,5	2,6	2,7	2,8	2,8	--
VT 10B / 1	4	m	11,9	11,4	10,9	10,5	10,1	9,7	9,1	8,1	6,9	5,3
		kW	2,4	2,4	2,5	2,6	2,7	2,9	3,0	3,1	3,2	3,1
VT 10B / 2L	4	m	17,7	16,6	15,8	14,9	14,0	12,5	10,3	--	--	--
		kW	2,7	2,7	2,9	3,1	3,3	3,5	3,5	--	--	--
VT 10B / 2C	7,5	m	22,4	21,3	20,4	19,6	18,8	17,8	16,5	14,2	11,4	--
		kW	4,3	4,3	4,4	4,6	4,9	5,2	5,4	5,6	5,5	--
VT 10B / 2	7,5	m	23,9	22,7	21,9	21,0	20,3	19,4	18,2	16,1	13,8	10,7
		kW	4,9	4,8	4,9	5,2	5,5	5,8	6,1	6,3	6,3	6,1
VT 10B / 3F	7,5	m	30,3	28,7	27,4	26,1	24,9	23,2	20,7	16,3	--	--
		kW	5,3	5,2	5,4	5,8	6,2	6,6	6,8	6,8	--	--
VT 10B / 3C	11	m	33,6	31,9	30,7	29,4	28,2	26,8	24,7	21,2	17,2	--
		kW	6,5	6,4	6,5	7,0	7,4	7,8	8,1	8,4	8,3	--
VT 10B / 3	11	m	35,8	34,1	32,8	31,5	30,4	29,0	27,2	24,2	20,7	16,0
		kW	7,3	7,2	7,4	7,8	8,2	8,7	9,1	9,4	9,5	9,2
VT 10B / 4F	11	m	40,4	38,2	36,6	34,9	33,2	30,9	27,6	21,7	--	--
		kW	7,1	7,0	7,2	7,8	8,3	8,8	9,1	9,1	--	--
VT 10B / 4C	15	m	44,8	42,6	40,9	39,2	37,6	35,7	33,0	28,3	22,9	--
		kW	8,6	8,5	8,7	9,3	9,8	10,4	10,9	11,1	11,0	--
VT 10B / 4	15	m	47,7	45,5	43,7	42,0	40,5	38,7	36,3	32,2	27,5	21,3
		kW	9,8	9,6	9,8	10,4	11,0	11,6	12,1	12,6	12,6	12,3
VT 10B / 5C	15	m	56,0	53,2	51,1	49,0	47,1	44,6	41,2	35,4	28,6	--
		kW	10,8	10,6	10,9	11,6	12,3	13,0	13,6	13,9	13,8	--
VT 10B / 5	18,5	m	59,7	56,8	54,7	52,5	50,7	48,4	45,4	40,3	34,4	26,7
		kW	12,2	12,0	12,3	13,0	13,7	14,5	15,2	15,7	15,8	15,3
VT 10B / 6	22	m	71,6	68,2	65,6	63,0	60,8	58,1	54,5	48,4	41,3	32,0
		kW	14,6	14,5	14,8	15,6	16,5	17,4	18,2	18,8	18,9	18,4
VT 10B / 7	30	m	83,6	79,6	76,6	73,5	70,9	67,8	63,6	56,4	48,2	37,4
		kW	17,1	16,9	17,2	18,2	19,2	20,3	21,3	22,0	22,1	21,5
VT 10B / 8	30	m	95,5	90,9	87,5	84,0	81,1	77,5	72,6	64,5	55,1	42,7
		kW	19,5	19,3	19,7	20,8	22,0	23,2	24,3	25,1	25,2	24,5
VT 10B / 9	30	m	107,4	102,3	98,4	94,5	91,2	87,1	81,7	72,5	62,0	48,0
		kW	21,9	21,7	22,2	23,4	24,7	26,1	27,3	28,3	28,4	27,6
VT 10B / 10	37	m	119,4	113,7	109,4	105,0	101,3	96,8	90,8	80,6	68,8	53,4
		kW	24,4	24,1	24,6	26,0	27,5	29,0	30,4	31,4	31,5	30,7
VT 10B / 11	37	m	131,3	125,0	120,3	115,5	111,5	106,5	99,9	88,7	75,7	58,7
		kW	26,8	26,5	27,1	28,6	30,2	31,9	33,4	34,5	34,7	33,7
VT 10B / 12	45	m	143,2	136,4	131,2	126,0	121,6	116,2	109,0	96,7	82,6	64,0
		kW	29,3	28,9	29,5	31,2	33,0	34,8	36,4	37,7	37,8	36,8
VT 10B / 13	45	m	155,2	147,8	142,2	136,5	131,7	125,9	118,0	104,8	89,5	69,4
		kW	31,7	31,3	32,0	33,8	35,7	37,7	39,5	40,8	41,0	39,9

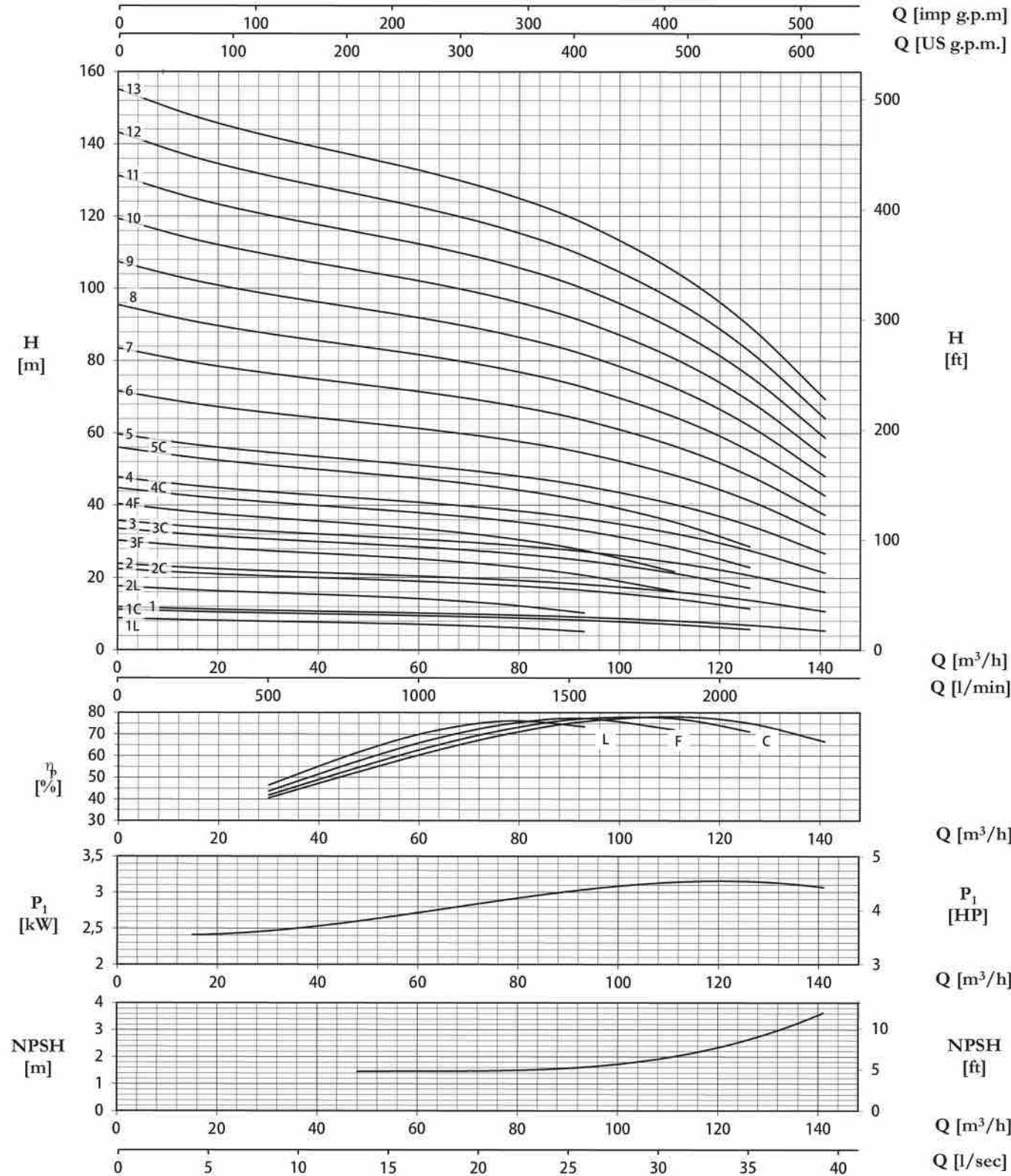
MOTOR 电机		Axis line	Driveunit	Base	Flange discharge	Foot valve	Strainer
kW	Size 尺寸	轴径	驱动机组	底座	排放短管	吸水阀	滤网
2,2 - 3	100	LA 5/20	E 1/5	B 6/5	DN 150 - PN 25	VF6	SU6
4	112		E 2/5				
5,5 - 7,5	132		E 3/5				
11	160	LA 5/24	E 4/5				
15	180		E 5/5				
18,5 - 22	200		E 6/5				
30	225	LA 5/30					
37 - 45	225						

LONG SHAFT DEEP WELL PUMP

VT SERIES / 长轴深井泵
VT系列

VT 10B

1470 r.p.m.



请注意: 适用于: ρ=1(kg/dm³)粘度<20 mm²/sec) - 保证值符合 ISO9906, Grade 2 - 水头基于 SG = 1

LONG SHAFT DEEP WELL PUMP

VT SERIES / 长轴深井泵
VT系列

VT 10C

1470 r.p.m.

TYPE 型号	kW	Q											
		m³/h	0	18	36	54	72	93	111	129	147	165	
		l/sec	0	5,0	10,0	15,0	20,0	25,8	30,8	35,8	40,8	45,8	
		l/min	0	300	600	900	1200	1550	1850	2150	2450	2750	
VT 10C / 1L	2,2	m	8,5	8,2	7,8	7,3	6,7	5,8	4,7	--	--	--	
		kW	1,5	1,5	1,6	1,7	1,8	1,9	2,0	--	--	--	
VT 10C / 1C	4	m	10,8	10,5	10,1	9,7	9,2	8,5	7,7	6,7	5,6	--	
		kW	2,4	2,4	2,5	2,6	2,7	2,9	3,0	3,1	3,1	--	
VT 10C / 1	4	m	11,5	11,2	10,8	10,4	9,9	9,3	8,5	7,6	6,6	5,3	
		kW	2,7	2,7	2,8	2,9	3,0	3,2	3,3	3,5	3,5	3,5	
VT 10C / 2L	5,5	m	17,0	16,3	15,6	14,6	13,4	11,5	9,4	--	--	--	
		kW	3,1	3,1	3,2	3,4	3,6	3,8	3,9	--	--	--	
VT 10C / 2C	7,5	m	21,6	20,9	20,2	19,4	18,4	16,9	15,4	13,5	11,1	--	
		kW	4,8	4,8	4,9	5,1	5,4	5,7	6,0	6,2	6,2	--	
VT 10C / 2	7,5	m	23,0	22,3	21,6	20,8	19,9	18,5	17,1	15,3	13,2	10,6	
		kW	5,5	5,5	5,6	5,8	6,1	6,4	6,7	6,9	7,0	7,0	
VT 10C / 3F	11	m	29,2	28,1	27,0	25,7	24,1	21,7	19,1	15,7	--	--	
		kW	6,0	5,9	6,1	6,4	6,8	7,2	7,5	7,6	--	--	
VT 10C / 3C	11	m	32,4	31,4	30,3	29,1	27,6	25,4	23,1	20,2	16,7	--	
		kW	7,3	7,2	7,4	7,7	8,1	8,6	9,0	9,2	9,3	--	
VT 10C / 3	11	m	34,5	33,5	32,4	31,2	29,8	27,8	25,6	22,9	19,8	15,9	
		kW	8,2	8,2	8,3	8,7	9,1	9,6	10,0	10,4	10,5	10,5	
VT 10C / 4F	11	m	38,9	37,5	36,1	34,3	32,2	29,0	25,4	21,0	--	--	
		kW	7,9	7,9	8,1	8,6	9,1	9,6	10,0	10,2	--	--	
VT 10C / 4C	15	m	43,2	41,8	40,4	38,7	36,8	33,9	30,8	26,9	22,3	--	
		kW	9,7	9,6	9,8	10,3	10,8	11,5	12,0	12,3	12,4	--	
VT 10C / 4	15	m	46,0	44,7	43,2	41,6	39,7	37,0	34,1	30,6	26,3	21,3	
		kW	11,0	10,9	11,1	11,5	12,1	12,8	13,4	13,8	14,1	14,0	
VT 10C / 5C	18,5	m	54,0	52,3	50,5	48,4	45,9	42,3	38,4	33,7	27,8	--	
		kW	12,1	12,0	12,3	12,8	13,5	14,3	15,0	15,4	15,5	--	
VT 10C / 5	18,5	m	57,5	55,8	54,0	52,0	49,7	46,3	42,6	38,2	32,9	26,6	
		kW	13,7	13,6	13,9	14,4	15,1	16,0	16,7	17,3	17,6	17,5	
VT 10C / 6	22	m	69,0	67,0	64,9	62,4	59,6	55,5	51,2	45,9	39,5	31,9	
		kW	16,5	16,4	16,7	17,3	18,2	19,2	20,1	20,7	21,1	21,0	
VT 10C / 7	30	m	80,5	78,2	75,7	72,8	69,5	64,8	59,7	53,5	46,1	37,2	
		kW	19,2	19,1	19,5	20,2	21,2	22,4	23,4	24,2	24,6	24,5	
VT 10C / 8	30	m	92,0	89,3	86,5	83,3	79,5	74,0	68,2	61,2	52,7	42,5	
		kW	22,0	21,8	22,2	23,1	24,2	25,6	26,8	27,7	28,1	28,0	
VT 10C / 9	37	m	103,5	100,5	97,3	93,7	89,4	83,3	76,8	68,8	59,3	47,8	
		kW	24,7	24,5	25,0	26,0	27,2	28,9	30,1	31,1	31,6	31,5	
VT 10C / 10	37	m	115,0	111,7	108,1	104,1	99,3	92,5	85,3	76,5	65,9	53,1	
		kW	27,5	27,3	27,8	28,9	30,3	32,1	33,5	34,6	35,2	35,0	
VT 10C / 11	45	m	126,6	122,8	118,9	114,5	109,2	101,8	93,8	84,1	72,4	58,4	
		kW	30,2	30,0	30,6	31,7	33,3	35,3	36,8	38,0	38,7	38,5	
VT 10C / 12	45	m	138,1	134,0	129,7	124,9	119,2	111,0	102,3	91,8	79,0	63,8	
		kW	33,0	32,7	33,4	34,6	36,3	38,5	40,2	41,5	42,2	42,0	
VT 10C / 13	55	m	149,6	145,2	140,5	135,3	129,1	120,3	110,9	99,4	85,6	69,1	
		kW	35,7	35,4	36,1	37,5	39,4	41,7	43,5	45,0	45,7	45,5	

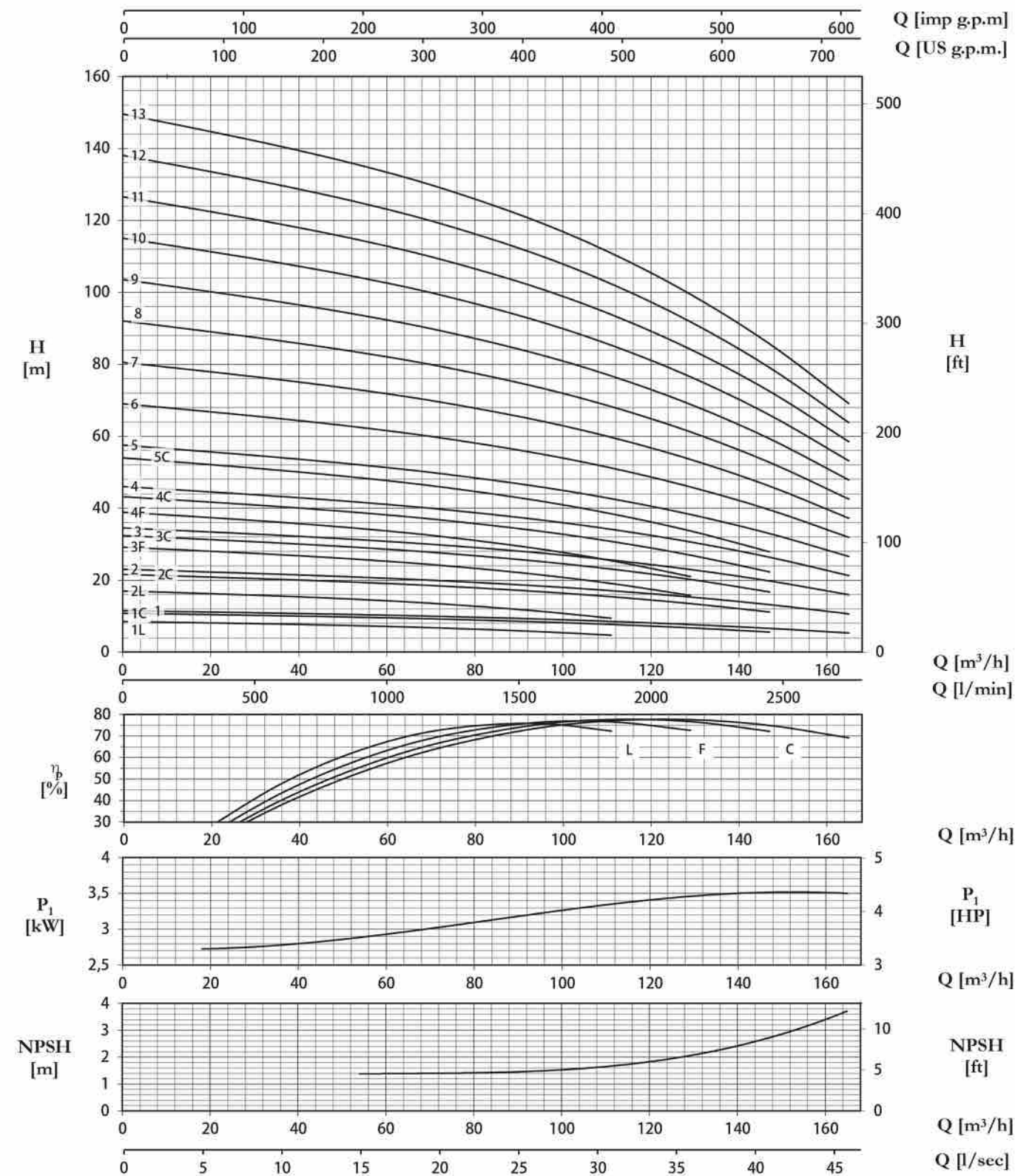
MOTOR 电机		Axis line	Driveunit	Base	Flange discharge	Foot valve	Strainer
kW	Size 尺寸	轴线	驱动机组	底座	排放短管	取水阀	滤网
2,2 - 3	100	LA 6/24	E 1/6	B 6/6	DN 150 - PN 25	VF6	SU6
4	112		E 2/6				
5,5 - 7,5	132		E 3/6				
11 - 15	160		E 4/6				
18,5 - 22	180	LA 6/30	E 5/6	B 6/6	DN 150 - PN 25	VF6	SU6
30	200		E 6/6				
37 - 45	225						
55	250	LA 6/35	E 7/6	B 6/6	DN 150 - PN 25	VF6	SU6
75	280						

LONG SHAFT DEEP WELL PUMP

VT SERIES / 长轴深井泵
VT系列

VT 10C

1470 r.p.m.



请注意: 适用于: ρ=1(kg/dm³)粘度<20 mm²/sec) - 保证值符合 ISO9906, Grade 2 - 水头基于 SG = 1

LONG SHAFT DEEP WELL PUMP

VT SERIES / 长轴深井泵
VT系列

VT 10D

1470 r.p.m.

TYPE 型号	kW	Q										
		m³/h	0	21	45	66	90	111	135	156	180	201
		l/sec	0	5,8	12,5	18,3	25,0	30,8	37,5	43,3	50,0	55,8
		l/min	0	350	750	1100	1500	1850	2250	2600	3000	3350
VT 10D / 1L	3	m	8,7	8,4	8,1	7,6	7,0	6,1	4,7	--	--	--
		kW	1,9	1,9	2,0	2,2	2,3	2,5	2,5	--	--	--
VT 10D / 1C	5,5	m	11,1	10,7	10,4	10,0	9,5	8,9	8,0	6,9	5,3	--
		kW	3,0	3,0	3,1	3,2	3,5	3,6	3,8	3,9	4,0	--
VT 10D / 1	5,5	m	11,8	11,5	11,1	10,8	10,3	9,7	8,9	7,9	6,5	4,9
		kW	3,4	3,4	3,5	3,6	3,9	4,1	4,3	4,4	4,5	4,5
VT 10D / 2L	5,5	m	17,4	16,8	16,1	15,3	13,9	12,2	9,4	--	--	--
		kW	3,8	3,8	4,1	4,3	4,7	4,9	5,1	--	--	--
VT 10D / 2C	11	m	22,1	21,5	20,8	20,1	19,1	17,9	16,0	13,9	10,7	--
		kW	5,9	6,0	6,2	6,5	6,9	7,3	7,6	7,9	8,0	--
VT 10D / 2	11	m	23,5	22,9	22,2	21,6	20,6	19,5	17,8	15,9	13,0	9,9
		kW	6,7	6,8	7,0	7,3	7,7	8,1	8,5	8,8	9,0	9,1
VT 10D / 3F	11	m	29,9	29,0	27,9	26,8	25,1	23,0	19,7	15,8	--	--
		kW	7,3	7,4	7,7	8,2	8,7	9,2	9,6	9,8	--	--
VT 10D / 3C	15	m	33,2	32,2	31,2	30,1	28,6	26,8	24,0	20,8	16,0	--
		kW	8,9	9,0	9,3	9,7	10,4	10,9	11,5	11,8	12,0	--
VT 10D / 3	15	m	35,3	34,4	33,3	32,3	30,9	29,2	26,7	23,8	19,5	14,8
		kW	10,1	10,1	10,5	10,9	11,6	12,2	12,8	13,2	13,6	13,6
VT 10D / 4F	15	m	39,8	38,6	37,2	35,7	33,4	30,7	26,2	21,1	--	--
		kW	9,7	9,8	10,3	10,9	11,6	12,3	12,8	13,1	--	--
VT 10D / 4C	18,5	m	44,2	43,0	41,6	40,2	38,1	35,7	32,0	27,7	21,3	--
		kW	11,8	11,9	12,4	13,0	13,8	14,5	15,3	15,8	16,0	--
VT 10D / 4	18,5	m	47,1	45,8	44,5	43,1	41,2	39,0	35,6	31,7	26,0	19,8
		kW	13,4	13,5	14,0	14,6	15,4	16,2	17,0	17,6	18,1	18,2
VT 10D / 5C	22	m	55,3	53,7	52,0	50,2	47,7	44,7	40,0	34,6	26,7	--
		kW	14,8	14,9	15,5	16,2	17,3	18,2	19,1	19,7	20,0	--
VT 10D / 5	30	m	58,8	57,3	55,6	53,9	51,5	48,7	44,5	39,7	32,5	24,7
		kW	16,8	16,9	17,5	18,2	19,3	20,3	21,3	22,0	22,6	22,7
VT 10D / 6	30	m	70,6	68,7	66,7	64,7	61,8	58,4	53,4	47,6	39,1	29,6
		kW	20,1	20,3	21,0	21,9	23,2	24,3	25,6	26,5	27,1	27,3
VT 10D / 7	37	m	82,4	80,2	77,8	75,4	72,1	68,2	62,3	55,5	45,6	34,6
		kW	23,5	23,7	24,5	25,5	27,0	28,4	29,8	30,9	31,6	31,8
VT 10D / 8	37	m	94,1	91,7	88,9	86,2	82,4	77,9	71,2	63,5	52,1	39,5
		kW	26,8	27,0	28,0	29,2	30,9	32,4	34,1	35,3	36,2	36,3
VT 10D / 9	45	m	105,9	103,1	100,0	97,0	92,7	87,7	80,1	71,4	58,6	44,5
		kW	30,2	30,4	31,5	32,8	34,7	36,5	38,3	39,7	40,7	40,9
VT 10D / 10	55	m	117,7	114,6	111,1	107,8	102,9	97,4	89,0	79,3	65,1	49,4
		kW	33,5	33,8	35,0	36,5	38,6	40,5	42,6	44,1	45,2	45,4
VT 10D / 11	55	m	129,4	126,0	122,3	118,6	113,2	107,1	97,9	87,2	71,6	54,3
		kW	36,9	37,2	38,5	40,1	42,4	44,6	46,9	48,5	49,7	50,0
VT 10D / 12	55	m	141,2	137,5	133,4	129,3	123,5	116,9	106,8	95,2	78,1	59,3
		kW	40,2	40,6	42,0	43,8	46,3	48,6	51,1	52,9	54,2	54,5
VT 10D / 13B	55	m	146,7	142,7	138,2	133,8	127,2	119,6	107,9	94,5	74,5	--
		kW	40,1	40,5	42,0	43,9	46,6	49,0	51,5	53,2	54,3	--

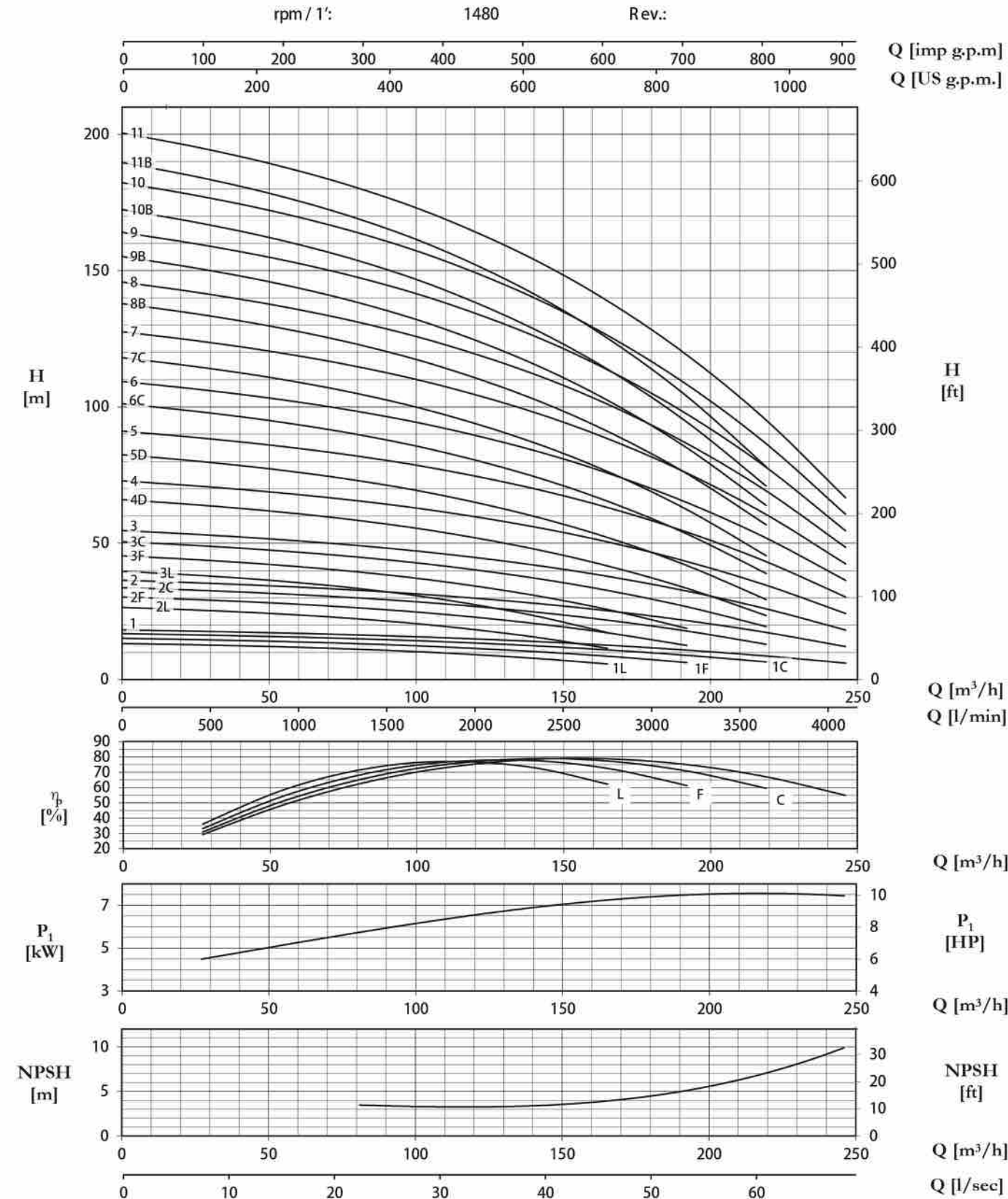
MOTOR 电机		Axis line	Driveunit	Base	Flange discharge	Foot valve	Strainer
kW	Size 尺寸	轴径	驱动机组	底座	排放短管	吸水阀	滤网
2,2 - 3	100	LA 6/24	E 1/6	B 6/6	DN 150 - PN 25	VF6	SU6
4	112		E 2/6				
5,5 - 7,5	132		E 3/6				
11 - 15	160		E 4/6				
18,5 - 22	180	E 5/6					
30	200	E 6/6					
37 - 45	225	LA 6/35	E 7/6				
55	250						
75	280						

LONG SHAFT DEEP WELL PUMP

VT SERIES / 长轴深井泵
VT系列

VT 12A

1480 r.p.m.



请注意: 适用于: ρ=1(kg/dm³)粘度<20 mm²/sec) - 保证值符合 ISO9906, Grade 2 - 水头基于 SG = 0.9434

LONG SHAFT DEEP WELL PUMP

VT SERIES / 长轴深井泵
VT系列

VT 12B

1480 r.p.m.

TYPE 型号	kW	Q										
		m³/h	0	36	75	111	147	186	222	258	297	333
		l/sec	0	10,0	20,8	30,8	40,8	51,7	61,7	71,7	82,5	92,5
		l/min	0	600	1250	1850	2450	3100	3700	4300	4950	5550
VT 12B / 1L	7,5	m	13,7	12,8	12,0	11,1	9,9	7,9	5,0	--	--	--
	kW	4,1	4,2	4,6	5,0	5,4	5,6	5,6	--	--	--	
VT 12B / 1F	11	m	15,7	14,7	13,9	13,1	12,1	10,5	8,3	5,3	--	--
	kW	5,3	5,4	5,8	6,2	6,7	7,1	7,3	7,2	--	--	
VT 12B / 1C	11	m	17,5	16,5	15,7	14,9	14,0	12,7	10,9	8,5	4,9	--
	kW	6,5	6,6	7,0	7,5	8,0	8,5	8,9	9,0	8,7	--	
VT 12B / 1	11	m	18,9	17,9	17,0	16,3	15,5	14,3	12,8	10,7	7,6	3,9
	kW	7,6	7,7	8,1	8,6	9,2	9,8	10,2	10,4	10,4	9,9	
VT 12B / 2L	15	m	27,4	25,5	23,9	22,3	19,8	15,7	9,9	--	--	--
	kW	8,3	8,4	9,2	10,0	10,8	11,3	11,2	--	--	--	
VT 12B / 2F	15	m	31,3	29,4	27,8	26,3	24,3	21,1	16,7	10,5	--	--
	kW	10,6	10,8	11,6	12,5	13,5	14,3	14,6	14,3	--	--	
VT 12B / 2C	18,5	m	34,9	33,0	31,3	29,8	28,1	25,4	21,9	17,0	9,8	--
	kW	13,1	13,2	14,0	15,0	16,0	17,1	17,7	17,9	17,3	--	
VT 12B / 2	22	m	37,7	35,8	34,1	32,6	31,0	28,6	25,5	21,4	15,3	7,9
	kW	15,2	15,4	16,1	17,1	18,3	19,5	20,4	20,9	20,7	19,8	
VT 12B / 3L	18,5	m	41,1	38,3	35,9	33,4	29,8	23,6	14,9	--	--	--
	kW	12,4	12,7	13,7	15,0	16,2	16,9	16,7	--	--	--	
VT 12B / 3F	30	m	47,0	44,1	41,7	39,4	36,4	31,6	25,0	15,8	--	--
	kW	16,0	16,2	17,3	18,7	20,2	21,4	21,9	21,5	--	--	
VT 12B / 3C	30	m	52,4	49,5	47,0	44,8	42,1	38,1	32,8	25,5	14,7	--
	kW	19,6	19,9	21,0	22,4	24,0	25,6	26,6	26,9	26,0	--	
VT 12B / 3	37	m	56,6	53,6	51,1	48,9	46,4	42,9	38,3	32,1	22,9	11,8
	kW	22,8	23,1	24,2	25,7	27,5	29,3	30,6	31,3	31,1	29,7	
VT 12B / 4D	37	m	68,3	64,4	61,1	58,2	54,5	49,0	41,6	31,4	16,3	--
	kW	25,1	25,4	26,9	28,8	30,9	32,9	34,2	34,3	32,9	--	
VT 12B / 4	45	m	75,4	71,5	68,2	65,3	61,9	57,2	51,1	42,8	30,6	15,7
	kW	30,5	30,8	32,3	34,3	36,6	39,0	40,8	41,7	41,4	39,6	
VT 12B / 5D	45	m	85,4	80,5	76,4	72,7	68,2	61,2	52,1	39,3	20,3	--
	kW	31,3	31,8	33,6	36,0	38,7	41,2	42,7	42,9	41,1	--	
VT 12B / 5	55	m	94,3	89,4	85,2	81,6	77,4	71,5	63,8	53,4	38,2	19,6
	kW	38,1	38,5	40,3	42,9	45,8	48,8	51,0	52,2	51,8	49,5	
VT 12B / 6C	55	m	104,7	98,9	94,0	89,5	84,2	76,2	65,6	51,0	29,3	--
	kW	39,2	39,7	41,9	44,9	48,1	51,2	53,2	53,8	52,0	--	
VT 12B / 6	75	m	113,2	107,3	102,3	97,9	92,9	85,7	76,6	64,1	45,8	23,6
	kW	45,7	46,2	48,4	51,4	54,9	58,5	61,1	62,6	62,2	59,4	
VT 12B / 7C	75	m	122,2	115,4	109,6	104,5	98,2	88,9	76,5	59,5	34,2	--
	kW	45,7	46,3	48,9	52,3	56,1	59,8	62,1	62,7	60,7	--	
VT 12B / 7	75	m	132,0	125,2	119,3	114,2	108,4	100,0	89,4	74,8	53,5	27,5
	kW	53,3	53,9	56,5	60,0	64,1	68,3	71,3	73,0	72,5	69,3	
VT 12B / 8C	75	m	139,6	131,9	125,3	119,4	112,3	101,6	87,5	68,0	39,1	--
	kW	52,3	53,0	55,9	59,8	64,1	68,3	71,0	71,7	69,3	--	
VT 12B / 8	90	m	150,9	143,1	136,3	130,5	123,9	114,3	102,2	85,5	61,1	31,4
	kW	60,9	61,6	64,5	68,6	73,2	78,0	81,5	83,4	82,9	79,2	
VT 12B / 9B	90	m	160,5	151,8	144,4	137,7	129,9	118,3	103,1	82,1	51,1	--
	kW	61,3	62,1	65,4	69,8	74,8	79,7	83,0	84,1	82,1	--	
VT 12B / 9	110	m	169,7	160,9	153,4	146,8	139,3	128,6	114,9	96,2	68,7	35,4
	kW	68,5	69,3	72,6	77,2	82,4	87,8	91,7	93,9	93,2	89,1	
VT 12B / 10B	110	m	178,4	168,7	160,4	153,1	144,3	131,4	114,5	91,2	56,8	--
	kW	68,1	69,0	72,7	77,6	83,1	88,6	92,2	93,5	91,2	--	
VT 12B / 10	110	m	188,6	178,8	170,4	163,2	154,8	142,9	127,7	106,9	76,4	39,3
	kW	76,1	77,0	80,7	85,7	91,5	97,5	101,9	104,3	103,6	99,0	
VT 12B / 11A	110	m	199,6	188,9	--	171,7	162,3	148,4	130,5	105,7	69,3	--
	kW	77,6	78,5	--	82,5	88,0	94,2	100,4	104,6	104,5	--	

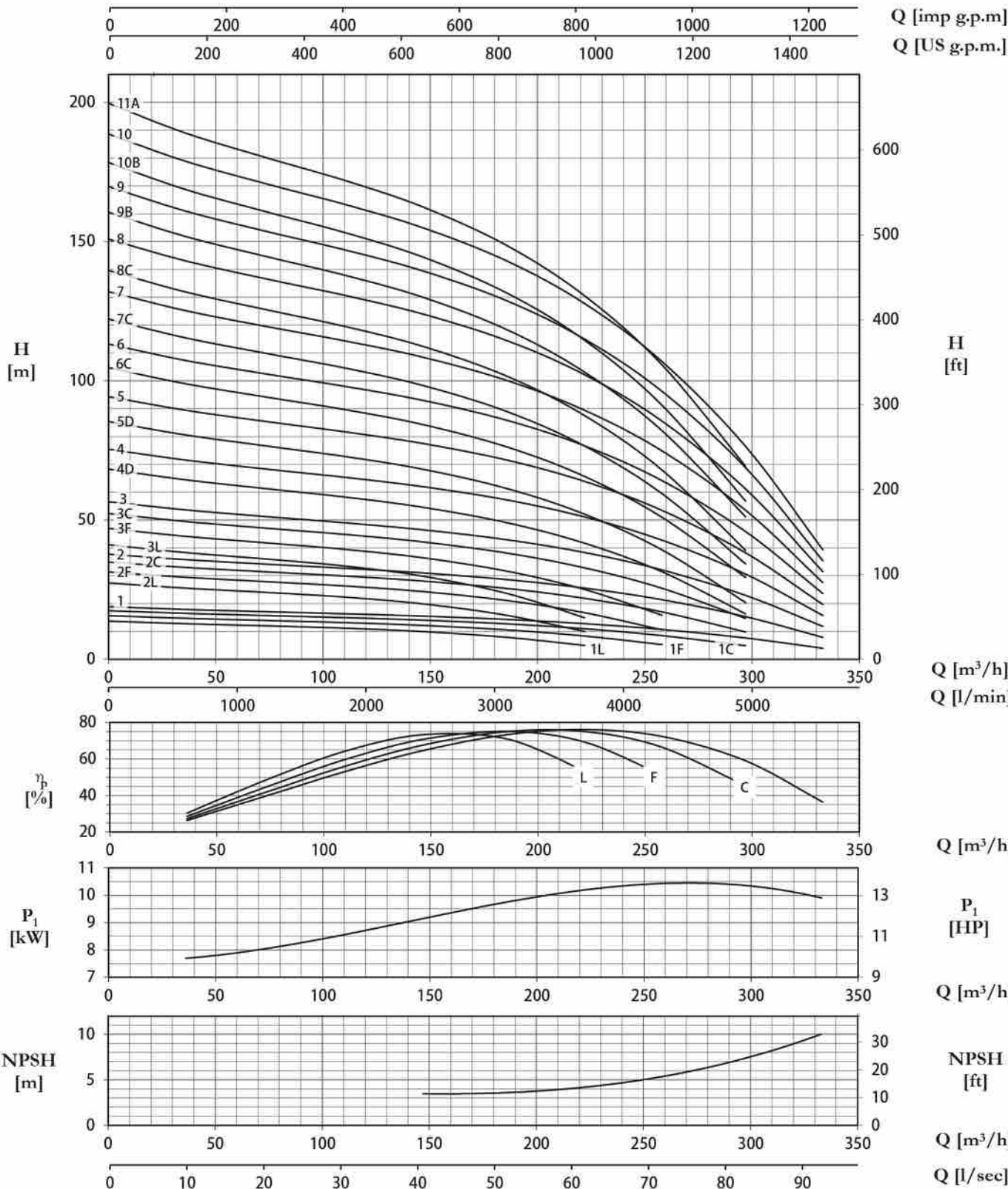
MOTOR 电机		Axis line	Driveunit	Base	Flange discharge	Footvalve	Strainer
kW	Size 尺寸	轴线	驱动机组	底座	排放短管	吸水阀	滤网
4	112	LA 6/24	E 1/6	B 6/6	DN 150 - PN 25	VF8	SU8
5,5 - 7,5	132		E 2/6				
11 - 15	160		E 3/6				
18,5 - 22	180		E 4/6				
30	200	E 5/6					
37 - 45	225	E 6/6					
55	250	LA 6/35	E 7/6				
75	280	LA 8/40	E 7/8				
90	315		E 8/8				
110	315		E 8/8				

LONG SHAFT DEEP WELL PUMP

VT SERIES / 长轴深井泵
VT系列

VT 12B

1480 r.p.m.



请注意: 适用于: $\rho=1(\text{kg}/\text{dm}^3)$ 粘度 $<20 \text{ mm}^2/\text{sec}$ - 保证值符合 ISO9906, Grade 2 - 水头基于 SG = 1

LONG SHAFT DEEP WELL PUMP

VT SERIES / 长轴深井泵
VT系列

VT 12C

1480 r.p.m.

TYPE 型号	kW	Q										
		m³/h	0	42	84	126	168	207	249	291	333	375
		l/sec	0	11,7	23,3	35,0	46,7	57,5	69,2	80,8	92,5	104,2
		l/min	0	700	1400	2100	2800	3450	4150	4850	5550	6250
VT 12C / 1L	7,5	m	13,0	12,4	12,0	11,5	10,4	8,5	5,3	--	--	--
		kW	4,5	4,9	5,4	5,9	6,4	6,7	6,7	--	--	--
VT 12C / 1F	11	m	14,9	14,2	13,9	13,4	12,6	11,3	9,0	5,4	--	--
		kW	5,8	6,3	6,8	7,4	8,0	8,4	8,7	8,7	--	--
VT 12C / 1C	11	m	16,6	15,9	15,5	15,1	14,5	13,5	11,7	9,0	5,2	--
		kW	7,1	7,6	8,2	8,9	9,5	10,0	10,4	10,7	10,6	--
VT 12C / 1	15	m	17,9	17,3	16,8	16,4	15,9	15,0	13,6	11,4	8,2	3,9
		kW	8,3	8,8	9,5	10,2	10,9	11,5	12,0	12,3	12,5	12,3
VT 12C / 2L	15	m	26,0	24,8	24,0	22,9	20,7	17,1	10,6	--	--	--
		kW	9,0	9,8	10,8	11,9	12,8	13,3	13,5	--	--	--
VT 12C / 2F	18,5	m	29,7	28,5	27,7	26,8	25,2	22,5	17,9	10,9	--	--
		kW	11,6	12,5	13,6	14,8	15,9	16,7	17,3	17,4	--	--
VT 12C / 2C	22	m	33,1	31,9	31,0	30,2	28,9	26,9	23,4	18,0	10,3	--
		kW	14,3	15,3	16,5	17,7	19,0	20,0	20,9	21,3	21,3	--
VT 12C / 2	30	m	35,8	34,5	33,7	32,9	31,8	30,1	27,2	22,7	16,4	7,7
		kW	16,7	17,7	19,0	20,3	21,7	22,9	24,0	24,7	24,9	24,6
VT 12C / 3L	22	m	39,0	37,2	36,1	34,4	31,1	25,6	15,9	--	--	--
		kW	13,5	14,8	16,3	17,8	19,1	20,0	20,2	--	--	--
VT 12C / 3F	30	m	44,6	42,7	41,6	40,2	37,8	33,8	26,9	16,3	--	--
		kW	17,5	18,8	20,5	22,2	23,9	25,1	26,0	26,1	--	--
VT 12C / 3C	37	m	49,7	47,8	46,6	45,3	43,4	40,4	35,1	27,0	15,5	--
		kW	21,4	22,9	24,7	26,6	28,5	30,1	31,3	32,0	31,9	--
VT 12C / 3	45	m	53,7	51,8	50,5	49,3	47,6	45,1	40,7	34,1	24,6	11,6
		kW	25,0	26,5	28,4	30,5	32,6	34,4	35,9	37,0	37,4	36,9
VT 12C / 4D	45	m	64,8	62,3	60,7	59,0	56,3	52,0	44,6	33,2	17,0	--
		kW	27,4	29,3	31,7	34,2	36,7	38,6	40,2	41,0	40,7	--
VT 12C / 4	55	m	71,6	69,0	67,3	65,8	63,5	60,1	54,3	45,5	32,8	15,4
		kW	33,3	35,4	37,9	40,7	43,4	45,8	47,9	49,3	49,9	49,2
VT 12C / 5D	55	m	81,0	77,9	75,8	73,8	70,4	65,0	55,7	41,5	21,2	--
		kW	34,3	36,7	39,6	42,8	45,8	48,3	50,3	51,3	50,9	--
VT 12C / 5	75	m	89,5	86,3	84,2	82,2	79,4	75,2	67,9	56,8	41,0	19,3
		kW	41,7	44,2	47,4	50,9	54,3	57,3	59,9	61,7	62,3	61,5
VT 12C / 6D	75	m	97,3	93,4	91,0	88,5	84,5	78,0	66,9	49,8	25,5	--
		kW	41,1	44,0	47,5	51,3	55,0	58,0	60,4	61,5	61,0	--
VT 12C / 6	75	m	107,4	103,5	101,0	98,7	95,3	90,2	81,5	68,2	49,2	23,1
		kW	50,0	53,1	56,9	61,0	65,2	68,7	71,9	74,0	74,8	73,9
VT 12C / 7C	75	m	116,0	111,5	108,7	105,8	101,3	94,2	81,8	63,0	36,1	--
		kW	50,0	53,4	57,6	62,1	66,5	70,1	73,1	74,7	74,5	--
VT 12C / 7	90	m	125,3	120,8	117,8	115,1	111,2	105,3	95,1	79,6	57,3	27,0
		kW	58,3	61,9	66,4	71,2	76,0	80,2	83,9	86,4	87,3	86,2
VT 12C / 8B	90	m	135,5	130,3	127,0	123,8	118,9	111,2	97,8	77,4	48,3	--
		kW	59,6	63,6	68,4	73,7	78,8	83,1	86,8	88,9	89,0	--
VT 12C / 8	110	m	143,2	138,0	134,7	131,5	127,1	120,3	108,6	90,9	65,5	30,8
		kW	66,7	70,8	75,9	81,4	86,9	91,6	95,8	98,7	99,7	98,5
VT 12C / 9C	110	m	149,1	143,4	139,7	136,0	130,2	121,1	105,2	81,0	46,4	--
		kW	64,3	68,7	74,1	79,9	85,5	90,2	94,0	96,1	95,8	--
VT 12C / 9A	110	m	155,1	149,3	145,5	142,0	136,6	128,2	113,8	91,9	60,5	--
		kW	69,5	74,0	79,5	85,5	91,4	96,4	100,7	103,3	103,8	--

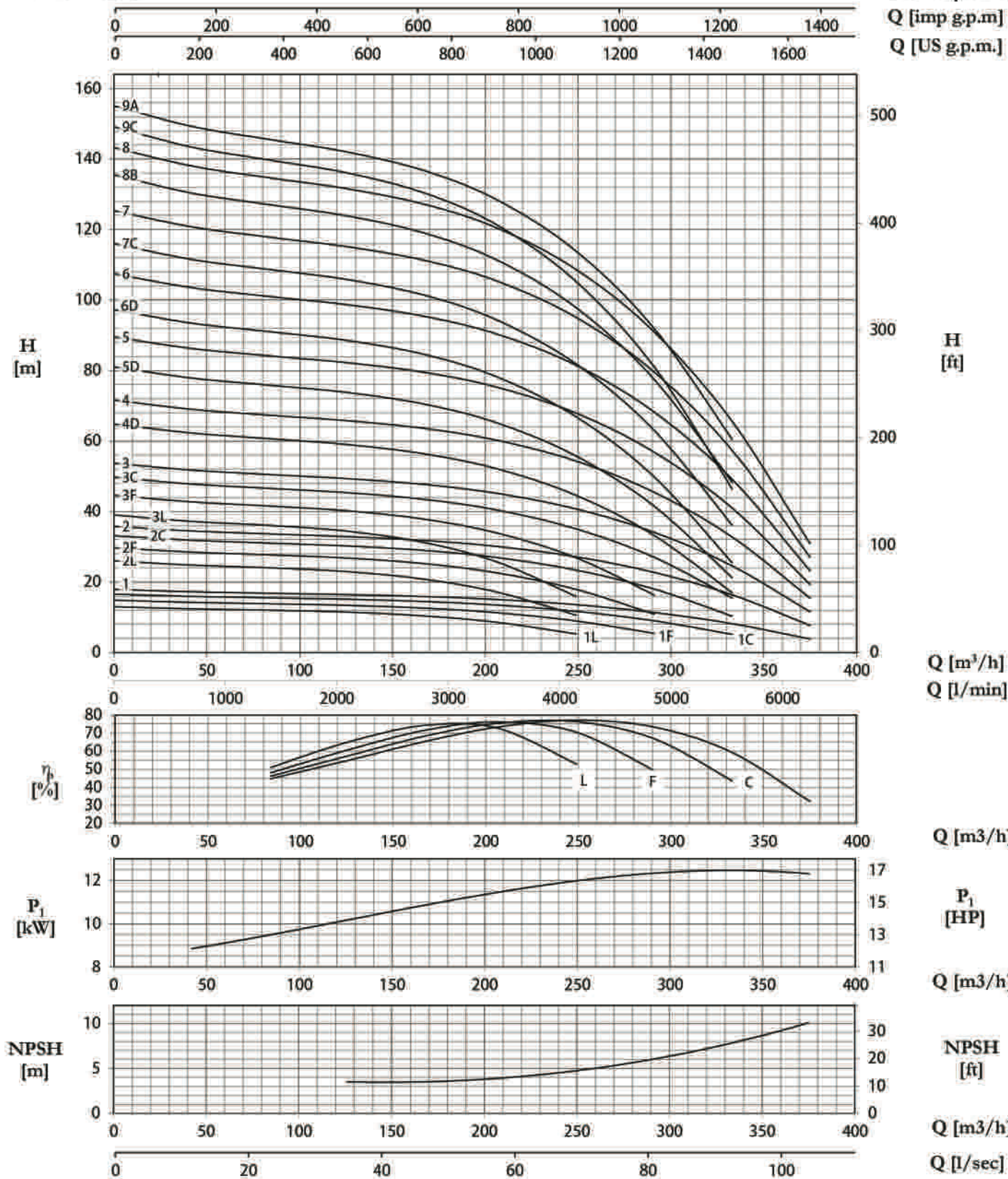
MOTOR 电机		Axis line 轴线	Driveunit 驱动机组	Base 基座	Flange discharge 排放接管	Footvalve 吸水阀	Strainer 滤网
kW	Size 尺寸	LA 6/24	E 1/6	B 6/6	DN 150 - PN 25	VF8	SU8
4	112		E 2/6				
5,5 - 7,5	132		E 3/6				
11 - 15	160		E 4/6				
18,5 - 22	180		E 5/6				
30	200		E 6/6				
37 - 45	225	LA 6/30	E 7/6	B 8/8	DN 200 - PN 25		
55	250		E 8/8				
75	280						
90	315	LA 8/40					

LONG SHAFT DEEP WELL PUMP

VT SERIES / 长轴深井泵
VT系列

VT 12C

1480 r.p.m.



请注意: 适用于: ρ=1(kg/dm³)粘度<20 mm²/sec) - 保证值符合 ISO9906, Grade 2 - 水头基于 SG = 1

LONG SHAFT DEEP WELL PUMP

VT SERIES / 长轴深井泵
VT系列

VT 14A

1480 r.p.m.

型号/TYPE	kW	Q												
		m³/h	0	42	84	129	171	213	255	300	342	384		
		l/sec	0	11,7	23,3	35,8	47,5	59,2	70,8	83,3	95,0	106,7		
		l/min	0	700	1400	2150	2850	3550	4250	5000	5700	6400		
VT 14A / 1L	11	m	19,3	17,9	16,7	15,4	14,0	12,2	9,6	--	--	--		
		kW	6,6	6,6	7,2	8,1	8,9	9,3	9,1	--	--	--		
VT 14A / 1F	15	m	22,7	21,2	20,0	18,7	17,5	16,0	14,0	11,2	--	--		
		kW	8,9	8,9	9,5	10,4	11,4	12,2	12,7	12,4	--	--		
VT 14A / 1C	18,5	m	25,2	23,7	22,4	21,2	20,0	18,6	16,9	14,6	11,7	--		
		kW	10,9	10,8	11,4	12,3	13,4	14,4	15,2	15,4	14,9	--		
VT 14A / 1	18,5	m	26,8	25,3	24,0	22,8	21,6	20,3	18,7	16,6	14,1	10,9		
		kW	12,3	12,2	12,8	13,8	14,9	16,0	16,9	17,4	17,3	16,2		
VT 14A / 2L	22	m	38,7	35,8	33,4	30,9	28,0	24,3	19,2	--	--	--		
		kW	13,2	13,2	14,4	16,2	17,7	18,6	18,3	--	--	--		
VT 14A / 2F	30	m	45,4	42,4	39,9	37,5	35,0	31,9	28,0	22,4	--	--		
		kW	17,9	17,8	18,9	20,9	22,8	24,5	25,3	24,7	--	--		
VT 14A / 2C	37	m	50,3	47,3	44,8	42,3	40,0	37,2	33,8	29,1	23,5	--		
		kW	21,8	21,6	22,7	24,7	26,8	28,9	30,3	30,8	29,7	--		
VT 14A / 2	37	m	53,6	50,6	48,0	45,5	43,2	40,6	37,4	33,2	28,1	21,8		
		kW	24,7	24,5	25,5	27,5	29,8	32,1	33,9	34,9	34,5	32,5		
VT 14A / 3L	30	m	58,0	53,6	50,1	46,3	42,1	36,5	28,8	--	--	--		
		kW	19,8	19,9	21,6	24,3	26,6	28,0	27,4	--	--	--		
VT 14A / 3F	45	m	68,1	63,6	59,9	56,2	52,5	47,9	42,0	33,6	--	--		
		kW	26,8	26,7	28,4	31,3	34,2	36,7	38,0	37,1	--	--		
VT 14A / 3C	55	m	75,5	71,0	67,2	63,5	59,9	55,8	50,7	43,7	35,2	--		
		kW	32,7	32,5	34,1	37,0	40,3	43,3	45,5	46,2	44,6	--		
VT 14A / 3	55	m	80,4	75,9	72,0	68,3	64,8	60,8	56,1	49,7	42,2	32,7		
		kW	37,0	36,7	38,3	41,3	44,7	48,1	50,8	52,3	51,8	48,7		
VT 14A / 4F	55	m	90,8	84,8	79,9	75,0	70,0	63,9	56,0	44,8	--	--		
		kW	35,8	35,7	37,9	41,7	45,7	48,9	50,6	49,5	--	--		
VT 14A / 4C	75	m	100,7	94,7	89,6	84,7	79,9	74,4	67,6	58,2	46,9	--		
		kW	43,6	43,3	45,4	49,4	53,7	57,8	60,7	61,6	59,4	--		
VT 14A / 4	75	m	107,2	101,1	96,0	91,1	86,4	81,1	74,8	66,3	56,2	43,6		
		kW	49,4	49,0	51,0	55,1	59,6	64,1	67,8	69,8	69,0	64,9		
VT 14A / 5C	90	m	125,9	118,3	112,0	105,9	99,9	93,0	84,5	72,8	58,6	--		
		kW	54,5	54,1	56,8	61,7	67,1	72,2	75,9	77,0	74,3	--		
VT 14A / 5	90	m	134,0	126,4	120,0	113,8	108,0	101,4	93,5	82,9	70,3	54,5		
		kW	61,7	61,2	63,8	68,8	74,5	80,1	84,7	87,2	86,3	81,2		
VT 14A / 6	110	m	160,8	151,7	144,1	136,6	129,6	121,7	112,2	99,5	84,4	65,4		
		kW	74,0	73,5	76,6	82,6	89,4	96,2	101,6	104,7	103,5	97,4		
VT 14A / 7	132	m	187,6	177,0	168,1	159,4	151,2	142,0	130,9	116,1	98,4	76,3		
		kW	86,4	85,7	89,3	96,3	104,3	112,2	118,6	122,1	120,8	113,6		
VT 14A / 8	160	m	214,4	202,3	192,1	182,1	172,8	162,3	149,6	132,6	112,5	87,2		
		kW	98,7	97,9	102,1	110,1	119,2	128,2	135,5	139,6	138,1	129,8		
VT 14A / 9	160	m	241,2	227,6	216,1	204,9	194,4	182,5	168,3	149,2	126,5	98,1		
		kW	111,1	110,2	114,8	123,9	134,1	144,3	152,5	157,0	155,3	146,1		

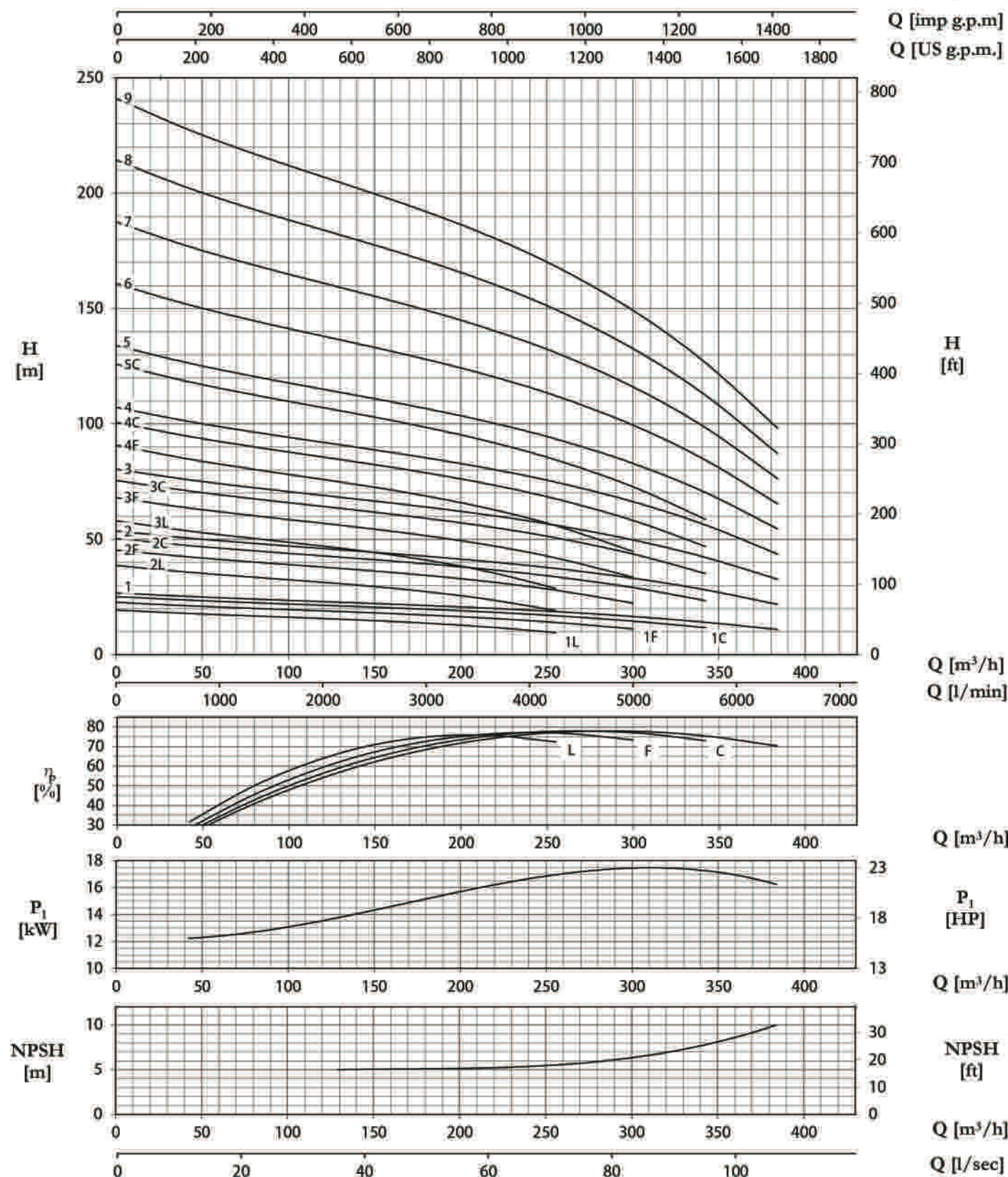
MOTOR 电机		Axis line 轴线	Drive unit 驱动机组	Base 底座	Flange discharge 排液接管	Foot valve 吸水阀	Strainer 滤网
kW	Size 尺寸						
5,5 - 7,5	132						
11 - 15	160	LA 6/24	E 2/6				
18,5 - 22	180		E 3/6				
30	200		E 4/6				
37 - 45	225	LA 6/30	E 5/6	B 6/6	DN 150 - PN 25		
55	250		E 6/6				
75	280	LA 6/35	E 7/6				
90			E 7/8				
110		LA 8/40	E 8/8	B 8/8	DN 200 - PN 25		
132 - 160	315	LA 8/45	E 8/8				
200		LA 10/50	E 8/10	B 10/10	DN 250 - PN 25	VF9	SU9

LONG SHAFT DEEP WELL PUMP

VT SERIES / 长轴深井泵
VT系列

VT 14A

1480 r.p.m.



请注意: 适用于: $\rho=1(\text{kg/dm}^3)$ 粘度 $<20 \text{ mm}^2/\text{sec}$ - 保证值符合: I309906, Grade 2 - 水头基于 $\beta_0=1$

LONG SHAFT DEEP WELL PUMP

VT SERIES / 长轴深井泵
VT系列

VT 14B

1480 r.p.m.

型号/TYPE	kW	Q											
		m³/h	0	66	132	201	267	333	399	468	534	600	
		l/sec	0	18,3	36,7	55,8	74,2	92,5	110,8	130,0	148,3	166,7	
		l/min	0	1100	2200	3350	4450	5550	6650	7800	8900	10000	
VT 14B / 1L	15	m	19,0	18,0	17,0	15,6	13,8	11,2	7,5	--	--	--	
		kW	9,0	9,8	10,9	12,1	13,0	13,4	13,1	--	--	--	
VT 14B / 1F	18,5	m	22,3	21,3	20,3	19,0	17,5	15,5	12,7	8,8	--	--	
		kW	12,2	13,1	14,3	15,7	16,9	17,8	18,2	17,8	--	--	
VT 14B / 1C	30	m	24,8	23,7	22,7	21,5	20,2	18,4	16,0	12,8	8,8	--	
		kW	14,9	15,8	17,1	18,6	20,1	21,2	22,0	22,1	21,4	--	
VT 14B / 1	30	m	26,4	25,3	24,3	23,2	21,9	20,2	18,1	15,2	11,6	7,1	
		kW	16,9	17,9	19,2	20,8	22,4	23,7	24,7	25,1	24,8	23,6	
VT 14B / 2L	30	m	38,1	36,0	33,9	31,2	27,5	22,3	15,0	--	--	--	
		kW	18,1	19,6	21,8	24,2	26,0	26,9	26,2	--	--	--	
VT 14B / 2F	37	m	44,7	42,6	40,5	38,1	35,1	31,0	25,4	17,7	--	--	
		kW	24,5	26,2	28,7	31,4	33,9	35,7	36,4	35,6	--	--	
VT 14B / 2C	45	m	49,6	47,4	45,4	43,1	40,3	36,8	32,1	25,6	17,6	--	
		kW	29,8	31,7	34,3	37,3	40,1	42,5	44,0	44,3	42,8	--	
VT 14B / 2	55	m	52,8	50,6	48,6	46,3	43,7	40,4	36,1	30,3	23,2	14,2	
		kW	33,8	35,7	38,4	41,6	44,7	47,4	49,4	50,2	49,6	47,1	
VT 14B / 3L	45	m	57,1	54,0	50,9	46,8	41,3	33,5	22,6	--	--	--	
		kW	27,1	29,4	32,7	36,3	39,0	40,3	39,4	--	--	--	
VT 14B / 3F	55	m	67,0	63,8	60,8	57,1	52,6	46,4	38,1	26,5	--	--	
		kW	36,7	39,3	43,0	47,1	50,8	53,5	54,6	53,4	--	--	
VT 14B / 3C	75	m	74,4	71,1	68,1	64,6	60,5	55,2	48,1	38,4	26,4	--	
		kW	44,7	47,5	51,4	55,9	60,2	63,7	66,0	66,4	64,3	--	
VT 14B / 3	90	m	79,2	75,9	72,9	69,5	65,6	60,6	54,2	45,5	34,8	21,3	
		kW	50,7	53,6	57,7	62,5	67,1	71,1	74,1	75,4	74,4	70,7	
VT 14B / 4F	75	m	89,4	85,1	81,1	76,2	70,1	61,9	50,8	35,3	--	--	
		kW	49,0	52,5	57,3	62,9	67,8	71,4	72,8	71,2	--	--	
VT 14B / 4C	90	m	99,1	94,9	90,8	86,2	80,7	73,5	64,1	51,2	35,2	--	
		kW	59,6	63,4	68,5	74,6	80,2	85,0	88,0	88,5	85,7	--	
VT 14B / 4	110	m	105,5	101,2	97,2	92,7	87,5	80,8	72,3	60,6	46,3	28,5	
		kW	67,6	71,5	76,9	83,3	89,4	94,8	98,7	100,5	99,2	94,2	
VT 14B / 5C	132	m	123,9	118,6	113,5	107,7	100,8	91,9	80,2	64,0	44,0	--	
		kW	74,5	79,2	85,7	93,2	100,3	106,2	110,0	110,6	107,1	--	
VT 14B / 5	132	m	131,9	126,6	121,5	115,8	109,3	101,0	90,3	75,8	57,9	35,6	
		kW	84,5	89,4	96,1	104,1	111,8	118,5	123,4	125,6	124,0	117,8	
VT 14B / 6	160	m	158,3	151,9	145,8	139,0	131,2	121,3	108,4	90,9	69,5	42,7	
		kW	101,3	107,2	115,3	124,9	134,1	142,2	148,1	150,7	148,8	141,3	
VT 14B / 7C	160	m	173,5	166,0	158,9	150,8	141,2	128,7	112,2	89,6	61,6	--	
		kW	104,3	110,9	119,9	130,5	140,4	148,7	154,0	154,9	149,9	--	
VT 14B / 8E	160	m	186,6	178,1	169,9	160,4	148,8	133,3	112,6	83,9	--	--	
		kW	106,3	113,4	123,4	134,9	145,4	153,5	157,8	156,3	--	--	

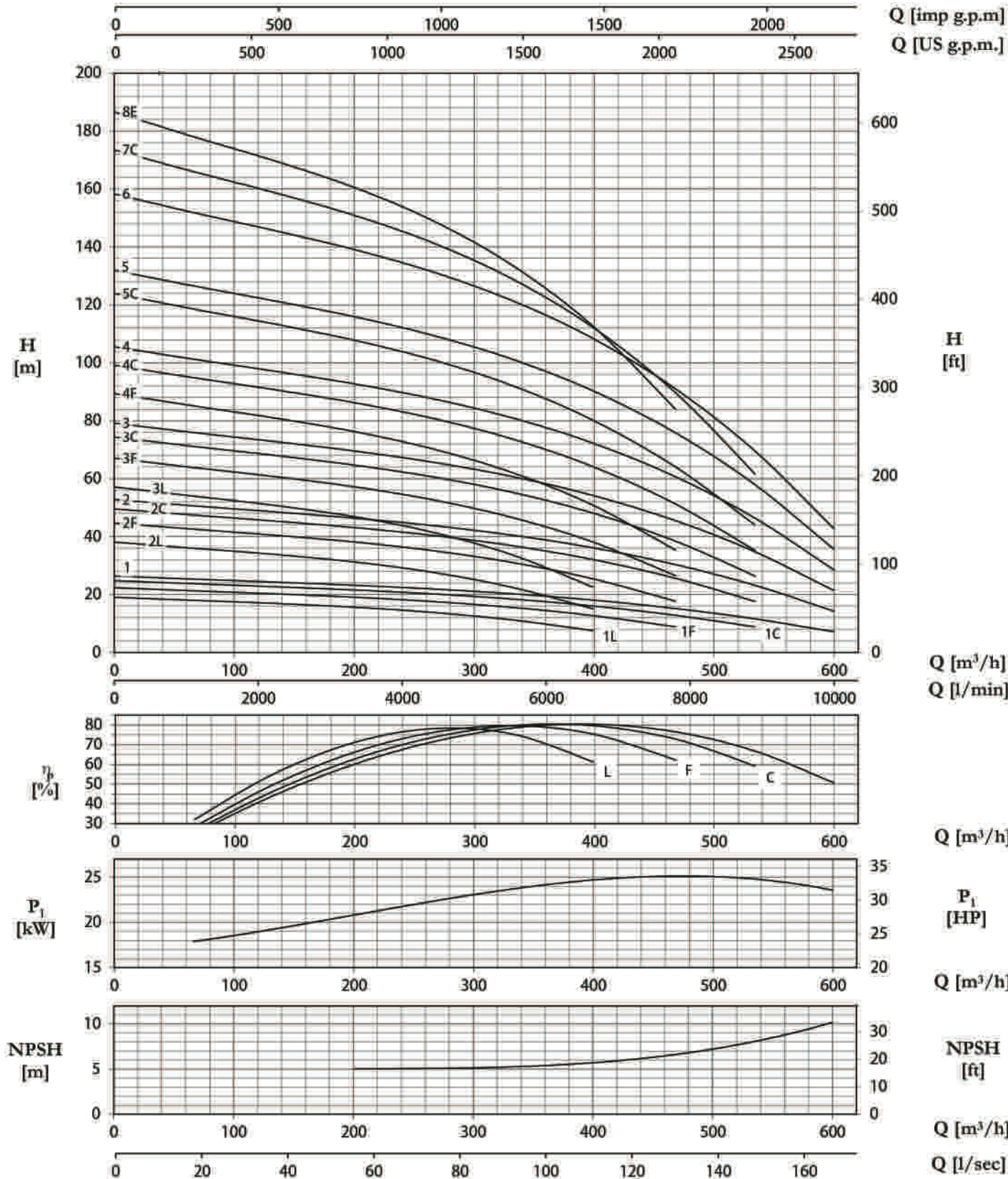
MOTOR 电机		Axis line 轴线	Drive unit 驱动机组	Base 底座	Flange discharge 排液短管	Foot valve 吸水阀	Strainer 滤网
11 - 15	160	LA 10/30	E 3/10	B 10/10	DN 250 - PN 25	VF9	SU9
18,5 - 22	180		E 4/10				
30	200		E 5/10				
37 - 45	225		E 6/10				
55	250	LA 10/35	E 7/10				
75	280						
90	280						
110	315	LA 10/40	E 8/10				
132 - 160		LA 10/45					
200		LA 10/50					

LONG SHAFT DEEP WELL PUMP

VT SERIES / 长轴深井泵
VT系列

VT 14B

1480 r.p.m.



请注意: 适用于: ρ=1(kg/dm³)粘度<20 mm²/sec) - 保证值符合 ISO9906, Grade 2 - 水头基于 SG = 1

LONG SHAFT DEEP WELL PUMP

VT SERIES / 长轴深井泵
VT系列

VT 14C

1480 r.p.m.

型号/TYP	kW	Q										
		m³/h	0	78	156	234	312	387	465	543	621	699
		l/sec	0	21,7	43,3	65,0	86,7	107,5	129,2	150,8	172,5	194,2
		l/min	0	1300	2600	3900	5200	6450	7750	9050	10350	11650
VT 14C / 1L	15	m	18,3	17,0	16,0	14,8	13,0	10,4	6,2	--	--	--
		kW	10,1	10,8	11,9	13,1	14,0	14,4	14,0	--	--	--
VT 14C / 1F	22	m	21,5	20,2	19,2	18,1	16,7	14,7	11,8	7,6	--	--
		kW	13,7	14,5	15,8	17,1	18,4	19,2	19,6	19,1	--	--
VT 14C / 1C	30	m	23,8	22,6	21,5	20,5	19,2	17,6	15,2	11,8	7,2	--
		kW	16,7	17,6	18,9	20,4	21,8	23,0	23,8	23,9	23,1	--
VT 14C / 1	30	m	25,3	24,0	23,0	22,0	20,8	19,3	17,1	14,1	10,1	4,8
		kW	18,8	19,8	21,1	22,7	24,3	25,6	26,6	27,0	26,5	25,1
VT 14C / 2L	30	m	36,5	34,0	32,0	29,6	26,1	20,7	12,4	--	--	--
		kW	20,1	21,6	23,8	26,1	28,0	28,7	28,0	--	--	--
VT 14C / 2F	45	m	42,9	40,4	38,3	36,2	33,4	29,5	23,5	15,1	--	--
		kW	27,4	29,1	31,5	34,2	36,7	38,5	39,2	38,2	--	--
VT 14C / 2C	55	m	47,7	45,1	43,0	41,0	38,5	35,2	30,3	23,6	14,4	--
		kW	33,4	35,2	37,8	40,8	43,7	46,0	47,5	47,7	46,1	--
VT 14C / 2	55	m	50,6	48,0	45,9	43,9	41,5	38,5	34,2	28,2	20,2	9,6
		kW	37,7	39,6	42,3	45,4	48,5	51,2	53,1	53,9	53,1	50,2
VT 14C / 3L	45	m	54,8	51,0	48,0	44,5	39,1	31,1	18,6	--	--	--
		kW	30,2	32,4	35,7	39,2	42,0	43,1	42,0	--	--	--
VT 14C / 3F	75	m	64,4	60,6	57,5	54,3	50,1	44,2	35,3	22,7	--	--
		kW	41,1	43,6	47,3	51,3	55,1	57,7	58,8	57,3	--	--
VT 14C / 3C	75	m	71,5	67,7	64,5	61,5	57,7	52,7	45,5	35,4	21,7	--
		kW	50,2	52,9	56,7	61,2	65,5	69,0	71,3	71,6	69,2	--
VT 14C / 3	90	m	75,9	72,0	68,9	65,9	62,3	57,8	51,3	42,3	30,2	14,4
		kW	56,5	59,3	63,4	68,1	72,8	76,7	79,7	80,9	79,6	75,3
VT 14C / 4F	90	m	85,9	80,8	76,7	72,4	66,8	58,9	47,0	30,2	--	--
		kW	54,8	58,1	63,0	68,4	73,5	77,0	78,3	76,4	--	--
VT 14C / 4C	110	m	95,4	90,2	86,1	82,0	76,9	70,3	60,7	47,2	28,9	--
		kW	66,9	70,5	75,7	81,6	87,4	92,1	95,1	95,4	92,2	--
VT 14C / 4	110	m	101,2	96,0	91,8	87,8	83,1	77,0	68,3	56,4	40,3	19,2
		kW	75,4	79,1	84,5	90,8	97,0	102,3	106,3	107,8	106,1	100,4
VT 14C / 5C	132	m	119,2	112,8	107,6	102,5	96,2	87,9	75,8	59,0	36,1	--
		kW	83,6	88,1	94,6	102,0	109,2	115,1	118,9	119,3	115,3	--
VT 14C / 5	160	m	126,5	120,0	114,8	109,8	103,8	96,3	85,4	70,5	50,4	24,0
		kW	94,2	98,9	105,6	113,5	121,3	127,9	132,8	134,8	132,7	125,5
VT 14C / 6A	160	m	149,1	141,3	135,0	128,9	121,7	112,4	98,9	80,3	55,2	--
		kW	109,0	114,5	122,5	131,7	140,9	148,6	154,1	155,8	152,6	--
VT 14C / 7D	160	m	163,1	154,1	146,9	139,7	130,7	118,7	101,0	76,2	42,6	--
		kW	112,1	118,2	127,2	137,4	147,3	155,0	159,7	159,5	152,7	--
VT 14C / 8F	160	m	171,7	161,5	153,4	144,9	133,6	117,8	94,1	60,4	--	--
		kW	109,6	116,2	126,0	136,9	146,9	154,0	156,7	152,8	--	--

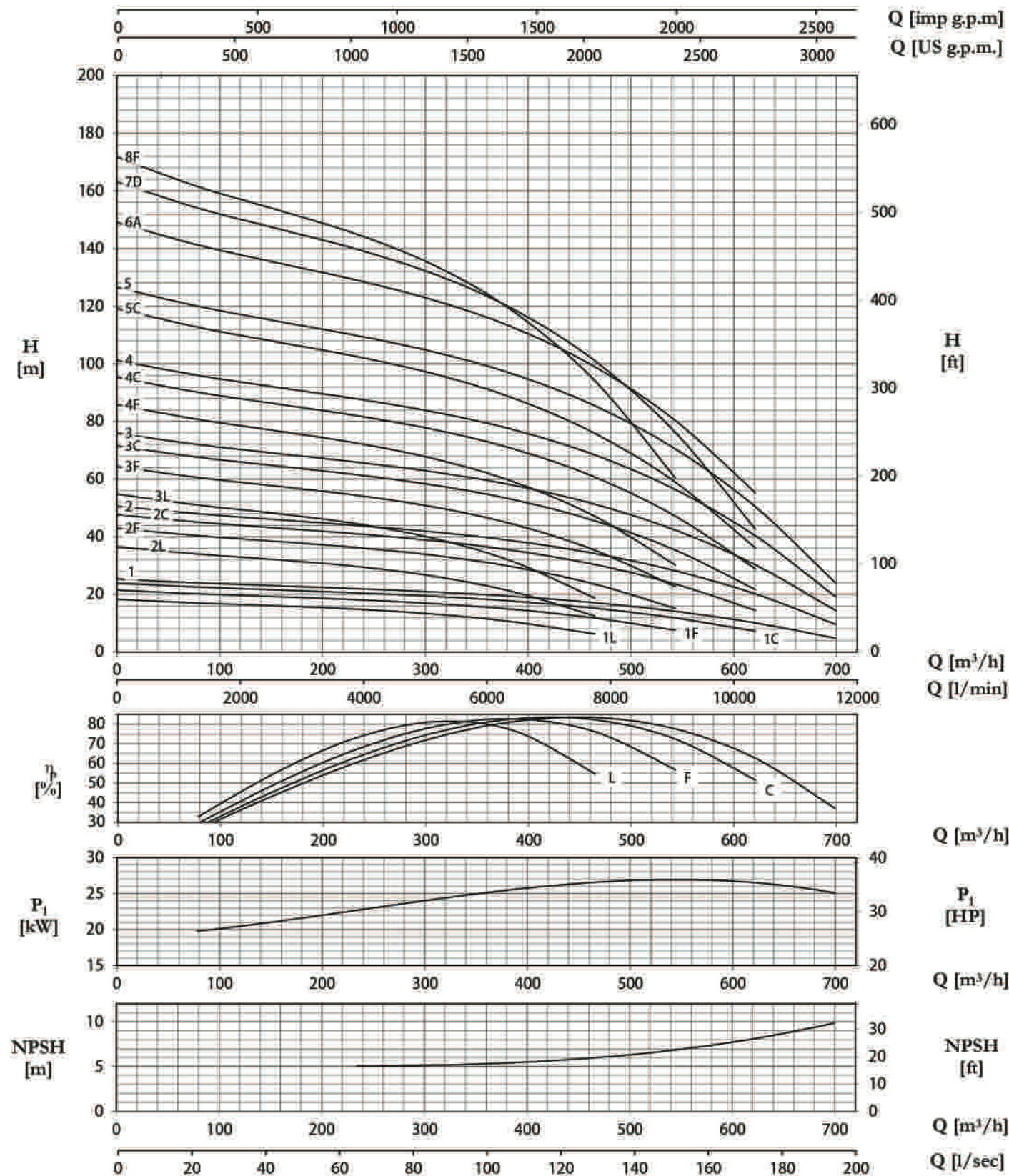
MOTOR 电机		Axis line 轴线	Drive unit 驱动机组	Base 底座	Flange discharge 法兰口径	Foot valve 脚阀	Strainer 滤网
kW	Size 尺寸	LA 10/30	E 3/10	B 10/10	DN 250 - PN 25	VF9	SU9
11 - 15	160		E 4/10				
18,5 - 22	180		E 5/10				
30	200		E 6/10				
37 - 45	225						
55	250	LA 10/35	E 7/10				
75	280	LA 10/40					
90		LA 10/45	E 8/10				
110		LA 10/50					
132 - 160	315						
200							

LONG SHAFT DEEP WELL PUMP

VT SERIES / 长轴深井泵
VT系列

VT 14C

1480 r.p.m.



请注意: 适用于: ρ=1(kg/dm³)粘度<20 mm²/sec) - 保证值符合 ISO9906, Grade 2 - 水头基于 SG = 1

LONG SHAFT DEEP WELL PUMP

VT SERIES / 长轴深井泵
VT系列

VT 16A

1480 r.p.m.

型号/TYPE	kW	Q										
		m³/h	0	78	156	234	312	387	465	543	621	699
VT 16A / 1L	30	l/sec	0	21,7	43,3	65,0	86,7	107,5	129,2	150,8	172,5	194,2
		l/min	0	1300	2600	3900	5200	6450	7750	9050	10350	11650
VT 16A / 1F	37	m	27,5	25,5	24,1	22,9	21,4	19,2	15,7	--	--	--
		kW	13,1	15,4	18,3	21,1	23,5	25,1	25,4	--	--	--
VT 16A / 1C	45	m	32,3	30,2	28,7	27,5	26,2	24,6	22,1	18,6	--	--
		kW	17,7	20,4	23,6	26,9	30,1	32,5	34,2	34,5	--	--
VT 16A / 2	110	m	35,8	33,7	32,2	30,9	29,7	28,3	26,3	23,5	19,6	--
		kW	21,6	24,5	28,0	31,7	35,2	38,3	40,7	42,0	41,9	--
VT 16A / 3	160	m	38,1	35,9	34,4	33,1	31,9	30,6	28,8	26,3	22,9	18,4
		kW	24,4	27,5	31,1	35,0	38,9	42,3	45,1	47,0	47,6	46,6
VT 16A / 4	200	m	55,0	51,0	48,3	45,9	42,8	38,5	31,5	--	--	--
		kW	26,1	30,9	36,5	42,2	47,1	50,2	50,8	--	--	--
VT 16A / 5	250	m	64,5	60,4	57,5	55,0	52,5	49,2	44,3	37,2	--	--
		kW	35,4	40,8	47,2	53,9	60,1	65,1	68,3	68,9	--	--
VT 16A / 6	315	m	71,6	67,4	64,4	61,9	59,5	56,6	52,6	47,0	39,2	--
		kW	43,2	49,0	56,0	63,3	70,5	76,5	81,4	84,0	83,8	--
VT 16A / 7	315	m	76,1	71,9	68,7	66,2	63,8	61,2	57,6	52,6	45,9	36,8
		kW	48,8	55,0	62,2	70,1	77,8	84,5	90,2	94,0	95,2	93,2
VT 16A / 8	315	m	87,6	81,5	77,3	73,7	69,4	63,6	54,4	--	--	--
		kW	43,9	51,3	60,2	69,3	77,4	83,1	85,6	--	--	--
VT 16A / 9	315	m	96,8	90,6	86,2	82,6	78,7	73,8	66,4	55,7	--	--
		kW	53,1	61,2	70,8	80,8	90,2	97,6	102,5	103,4	--	--
VT 16A / 10	315	m	107,4	101,1	96,5	92,8	89,2	84,9	78,9	70,5	58,8	--
		kW	64,8	73,6	84,0	95,0	105,7	114,8	122,0	126,0	125,7	--
VT 16A / 11	315	m	114,2	107,8	103,1	99,3	95,7	91,8	86,4	79,0	68,8	55,2
		kW	73,2	82,4	93,4	105,1	116,6	126,8	135,3	141,0	142,8	139,8
VT 16A / 12	315	m	129,0	120,8	114,9	110,1	104,9	98,4	88,5	74,3	--	--
		kW	70,8	81,5	94,4	107,8	120,3	130,1	136,6	137,9	--	--
VT 16A / 13	315	m	143,3	134,8	128,7	123,8	118,9	113,2	105,2	94,0	78,4	--
		kW	86,4	98,1	111,9	126,7	141,0	153,1	162,7	168,0	167,6	--
VT 16A / 14	315	m	152,2	143,7	137,5	132,4	127,6	122,3	115,2	105,3	91,8	73,6
		kW	97,6	109,9	124,5	140,1	155,5	169,0	180,4	187,9	190,3	186,4
VT 16A / 15	315	m	168,2	157,8	150,3	144,3	138,0	130,3	119,0	102,8	--	--
		kW	95,9	109,7	126,3	143,7	160,2	173,7	183,4	187,0	--	--
VT 16A / 16	315	m	179,1	168,6	160,9	154,7	148,6	141,5	131,6	117,5	98,0	--
		kW	108,0	122,6	139,9	158,4	176,2	191,4	203,4	210,0	209,5	--
VT 16A / 17	315	m	190,3	179,7	171,8	165,5	159,6	152,9	143,9	131,6	114,7	92,0
		kW	122,0	137,4	155,6	175,1	194,4	211,3	225,5	234,9	237,9	233,0
VT 16A / 18	315	m	210,3	197,7	188,6	181,2	173,9	165,1	152,6	134,9	110,3	--
		kW	124,4	141,6	162,0	183,7	204,6	222,1	235,6	242,2	240,1	--
VT 16A / 19	315	m	228,4	215,6	206,2	198,7	191,5	183,5	172,7	157,9	137,6	110,4
		kW	146,4	164,9	186,7	210,2	233,3	253,5	270,6	281,9	285,5	279,6
VT 16A / 20	315	m	250,7	236,0	225,3	216,6	208,1	198,2	184,2	164,5	137,2	--
		kW	151,2	171,6	195,9	221,7	246,7	267,9	284,7	294,0	293,3	--

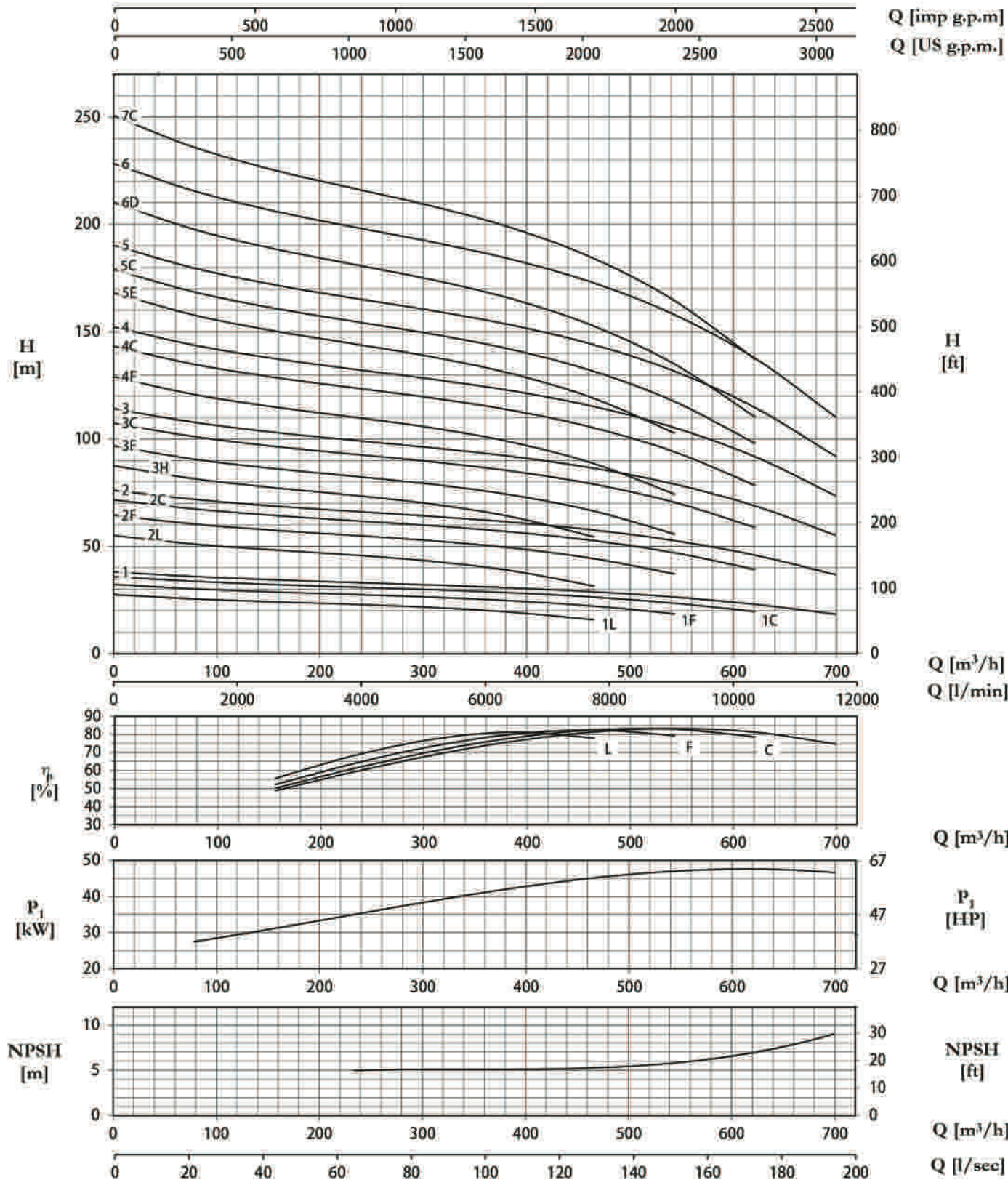
MOTOR 电机		Axis line 轴线	Drives unit 驱动机组	Base 底座	Flange discharge 排放短管	Foot valve 取水阀	Strainer 滤网
15	160	LA 10/30	E 3/10	B 10/10	DN 250 - PN 25	VF10	SU10
18,5 - 22	180		E 4/10				
30	200		E 5/10				
37 - 45	225		E 6/10				
55	250	LA 10/35	E 7/10	B 10/10	DN 250 - PN 25	VF10	SU10
75	280						
90	280						
110	315	LA 10/40	E 8/10	B 10/10	DN 250 - PN 25	VF10	SU10
132 - 160	315	LA 10/45					
200	315	LA 10/50					
250 - 280 - 315	355	LA 12/60	E 9/12 E 10/12	B 12/12	DN 300 - PN 25	VF10	SU10
355	400						

LONG SHAFT DEEP WELL PUMP

VT SERIES / 长轴深井泵
VT系列

VT 16A

1480 r.p.m.



请注意: 适用于: ρ=1(kg/dm³)粘度≤20 mm²/sec) - 保证值符合 ISO9906, Grade 2 - 水头基于 SG = 1

LONG SHAFT DEEP WELL PUMP

VT SERIES / 长轴深井泵
VT系列

VT 16B

1480 r.p.m.

型号/TYPE	kW	Q										
		m³/h	0	90	183	273	363	456	546	636	729	819
		l/sec	0	25,0	50,8	75,8	100,8	126,7	151,7	176,7	202,5	227,5
		l/min	0	1500	3050	4550	6050	7600	9100	10600	12150	13650
VT 16B / 1L	30	m	26,1	24,5	23,5	22,5	21,0	18,0	13,3	--	--	--
		kW	14,4	16,3	19,4	22,8	25,8	27,9	28,2	--	--	--
VT 16B / 1F	45	m	30,6	28,9	27,8	26,9	25,8	23,8	20,7	15,8	--	--
		kW	19,6	21,6	25,0	28,8	32,6	35,9	38,0	38,2	--	--
VT 16B / 1C	55	m	34,0	32,2	31,1	30,2	29,2	27,6	25,2	21,6	16,0	--
		kW	23,9	26,1	29,6	33,7	38,0	42,0	45,1	46,7	46,4	--
VT 16B / 1	55	m	36,1	34,3	33,1	32,3	31,3	29,9	27,9	24,7	20,0	13,7
		kW	27,0	29,3	32,9	37,2	41,8	46,2	49,8	52,2	52,9	51,3
VT 16B / 2L	75	m	52,3	48,9	46,9	45,0	41,9	36,1	26,6	--	--	--
		kW	28,9	32,7	38,8	45,5	51,6	55,8	56,4	--	--	--
VT 16B / 2F	90	m	61,3	57,8	55,6	53,9	51,6	47,6	41,3	31,7	--	--
		kW	39,1	43,3	50,0	57,6	65,3	71,9	75,9	76,5	--	--
VT 16B / 2C	110	m	68,0	64,5	62,1	60,4	58,4	55,3	50,5	43,1	32,1	--
		kW	47,7	52,2	59,2	67,5	76,0	84,1	90,1	93,4	92,7	--
VT 16B / 2	110	m	72,3	68,7	66,3	64,5	62,6	59,9	55,7	49,5	40,0	27,4
		kW	53,9	58,5	65,9	74,5	83,6	92,5	99,6	104,4	105,7	102,6
VT 16B / 3H	110	m	83,1	78,1	75,0	72,2	68,1	60,6	48,3	--	--	--
		kW	48,5	54,4	63,9	74,5	84,5	92,2	95,1	--	--	--
VT 16B / 3F	132	m	91,9	86,7	83,4	80,8	77,3	71,4	62,0	47,5	--	--
		kW	58,7	64,9	75,0	86,4	97,9	107,8	113,9	114,7	--	--
VT 16B / 3C	160	m	102,0	96,7	93,2	90,6	87,6	82,9	75,7	64,7	48,1	--
		kW	71,6	78,2	88,8	101,2	114,0	126,1	135,2	140,1	139,1	--
VT 16B / 3	160	m	108,4	103,0	99,4	96,8	93,9	89,8	83,6	74,2	60,0	41,1
		kW	80,9	87,8	98,8	111,7	125,3	138,7	149,4	156,6	158,6	153,9
VT 16B / 4F	160	m	122,5	115,6	111,2	107,7	103,1	95,2	82,6	63,4	--	--
		kW	78,3	86,6	100,0	115,2	130,5	143,8	151,9	153,0	--	--
VT 16B / 4C	200	m	136,0	128,9	124,3	120,8	116,8	110,6	100,9	86,2	64,2	--
		kW	95,5	104,3	118,5	134,9	152,0	168,2	180,2	186,8	185,5	--
VT 16B / 4	250	m	144,5	137,4	132,5	129,0	125,3	119,7	111,4	98,9	80,1	54,8
		kW	107,8	117,0	131,7	148,9	167,1	184,9	199,3	208,8	211,4	205,2
VT 16B / 5E	250	m	159,7	151,0	145,3	141,0	135,6	126,6	112,5	90,9	--	--
		kW	105,9	116,6	133,7	153,4	173,4	191,5	203,6	207,8	--	--
VT 16B / 5C	250	m	170,0	161,2	155,3	151,0	146,0	138,2	126,2	107,8	80,2	--
		kW	119,4	130,4	148,1	168,6	190,0	210,2	225,3	233,5	231,9	--
VT 16B / 5	280	m	180,7	171,7	165,7	161,3	156,6	149,7	139,3	123,6	100,1	68,5
		kW	134,8	146,3	164,6	186,1	208,9	231,2	249,1	260,9	264,3	256,5
VT 16B / 6D	280	m	199,6	189,1	182,2	176,9	170,8	161,0	145,7	122,4	87,4	--
		kW	137,4	150,5	171,5	195,8	220,9	244,3	261,2	269,3	265,2	--
VT 16B / 6	355	m	216,8	206,1	198,8	193,5	187,9	179,6	167,2	148,4	120,1	82,2
		kW	161,8	175,6	197,6	223,4	250,7	277,4	298,9	313,1	317,2	307,7
VT 16B / 7A	315	m	247,7	235,2	226,8	220,7	214,0	203,9	188,6	165,5	130,6	--
		kW	180,9	196,8	222,1	251,8	283,0	313,2	336,9	351,7	354,1	--

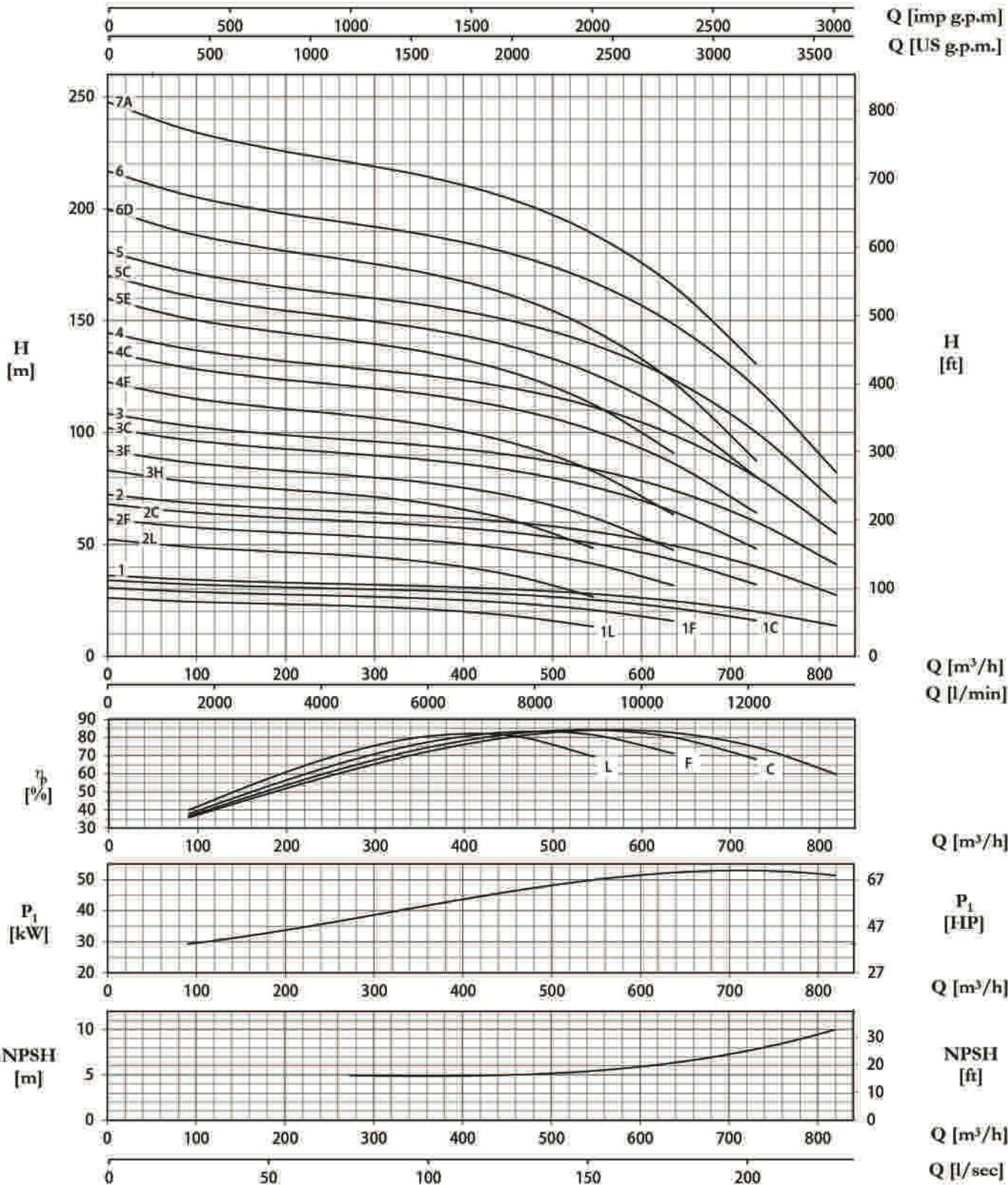
MOTOR 电机		Axis line 轴线	Driveunit 驱动机组	Base 底座	Flange discharge 排放短管	Footvalve 吸水阀	Strainer 滤网
kW	Size 尺寸	LA 10/30	E 3/10	B 10/10	DN 250 - PN 25	VF10	SU10
15	160		E 4/10				
18,5 - 22	180		E 5/10				
30	200		E 6/10				
37 - 45	225						
55	250	LA 10/35	E 7/10	B 12/12	DN 300 - PN 25		
75	280	LA 10/40					
90	280	LA 10/45	E 8/10				
110	315	LA 10/50					
132 - 160	315						
200	315						
250 - 280 - 315	355	LA 12/60	E 9/12				
355	400		E 10/12				

LONG SHAFT DEEP WELL PUMP

VT SERIES / 长轴深井泵
VT系列

VT 16B

1480 r.p.m.



请注意: 适用于: ρ=1(kg/dm³)粘度<20 mm²/sec) - 保证值符合 1509906, Grade 2 - 水头基于 SG = 1

LONG SHAFT DEEP WELL PUMP

VT SERIES / 长轴深井泵
VT系列

VT 16C

1480 r.p.m.

型号/TYPE	kW	Q										
		m³/h	0	114	228	339	453	567	681	792	906	1020
		l/sec	0	31,7	63,3	94,2	125,8	157,5	189,2	220,0	251,7	283,3
		l/min	0	1900	3800	5650	7550	9450	11350	13200	15100	17000
VT 16C / 1L	37	m	26,3	23,8	22,5	21,5	19,8	16,5	10,5	--	--	--
		kW	16,6	20,5	24,5	28,1	31,0	33,0	33,6	--	--	--
VT 16C / 1F	55	m	30,9	28,2	26,8	25,8	24,6	22,4	18,7	12,8	--	--
		kW	22,5	27,0	31,7	35,9	39,8	42,9	44,9	45,5	--	--
VT 16C / 1C	75	m	34,3	31,6	30,0	29,0	27,9	26,3	23,5	19,1	12,3	--
		kW	27,4	32,4	37,5	42,3	46,8	50,7	53,5	55,2	55,5	--
VT 16C / 1	75	m	36,4	33,7	32,0	30,9	29,9	28,5	26,2	22,5	16,8	8,7
		kW	30,9	36,3	41,7	46,9	51,8	56,0	59,5	61,7	62,7	62,2
VT 16C / 2L	75	m	52,7	47,6	45,0	43,1	39,7	33,0	21,0	--	--	--
		kW	33,2	41,1	49,0	56,1	62,1	66,0	67,2	--	--	--
VT 16C / 2F	110	m	61,7	56,5	53,5	51,6	49,2	44,9	37,3	25,5	--	--
		kW	44,9	54,1	63,3	71,9	79,7	85,8	89,8	91,1	--	--
VT 16C / 2C	132	m	68,5	63,1	59,9	57,9	55,8	52,5	46,9	38,2	24,7	--
		kW	54,8	64,8	75,1	84,7	93,7	101,3	107,1	110,4	111,0	--
VT 16C / 2	132	m	72,8	67,3	64,0	61,9	59,9	57,0	52,3	45,0	33,6	17,4
		kW	61,9	72,6	83,4	93,7	103,5	112,1	118,9	123,5	125,5	124,3
VT 16C / 3H	132	m	83,8	76,1	72,0	69,1	64,7	56,2	41,1	--	--	--
		kW	55,7	68,2	80,9	92,3	102,2	109,4	112,7	--	--	--
VT 16C / 3F	160	m	92,6	84,7	80,3	77,4	73,7	67,3	56,0	38,3	--	--
		kW	67,4	81,1	95,0	107,8	119,5	128,8	134,7	136,6	--	--
VT 16C / 3C	200	m	102,8	94,7	89,9	86,9	83,7	78,8	70,4	57,3	37,0	--
		kW	82,2	97,3	112,6	127,0	140,5	152,0	160,6	165,6	166,4	--
VT 16C / 3	200	m	109,3	101,0	96,0	92,8	89,8	85,6	78,5	67,5	50,5	26,1
		kW	92,8	108,8	125,1	140,6	155,3	168,1	178,4	185,2	188,2	186,5
VT 16C / 4F	200	m	123,5	112,9	107,1	103,2	98,3	89,8	74,7	51,0	--	--
		kW	89,8	108,1	126,7	143,8	159,3	171,7	179,7	182,1	--	--
VT 16C / 4C	250	m	137,1	126,2	119,9	115,8	111,6	105,1	93,9	76,4	49,4	--
		kW	109,6	129,7	150,1	169,3	187,3	202,6	214,2	220,8	221,9	--
VT 16C / 4	280	m	145,7	134,7	128,0	123,8	119,8	114,1	104,7	90,0	67,3	34,8
		kW	123,8	145,1	166,8	187,4	207,0	224,2	237,8	246,9	250,9	248,6
VT 16C / 5E	250	m	160,9	147,6	140,0	135,1	129,4	119,8	103,1	76,9	--	--
		kW	121,6	145,4	169,4	191,9	212,5	229,4	241,2	246,4	--	--
VT 16C / 5C	280	m	171,4	157,8	149,8	144,8	139,5	131,3	117,4	95,5	61,7	--
		kW	137,0	162,1	187,6	211,6	234,2	253,3	267,7	276,0	277,4	--
VT 16C / 5	315	m	182,1	168,3	160,0	154,7	149,7	142,6	130,8	112,5	84,1	43,5
		kW	154,7	181,4	208,5	234,3	258,8	280,2	297,3	308,6	313,7	310,8
VT 16C / 6D	355	m	201,2	185,0	175,6	169,6	163,2	152,8	135,0	107,0	63,9	--
		kW	157,7	187,3	217,3	245,5	271,7	293,8	310,0	318,6	318,7	--
VT 16C / 6	400	m	218,5	202,0	192,0	185,7	179,7	171,1	157,0	135,0	100,9	52,2
		kW	185,7	217,7	250,2	281,1	310,5	336,2	356,8	370,4	376,4	372,9

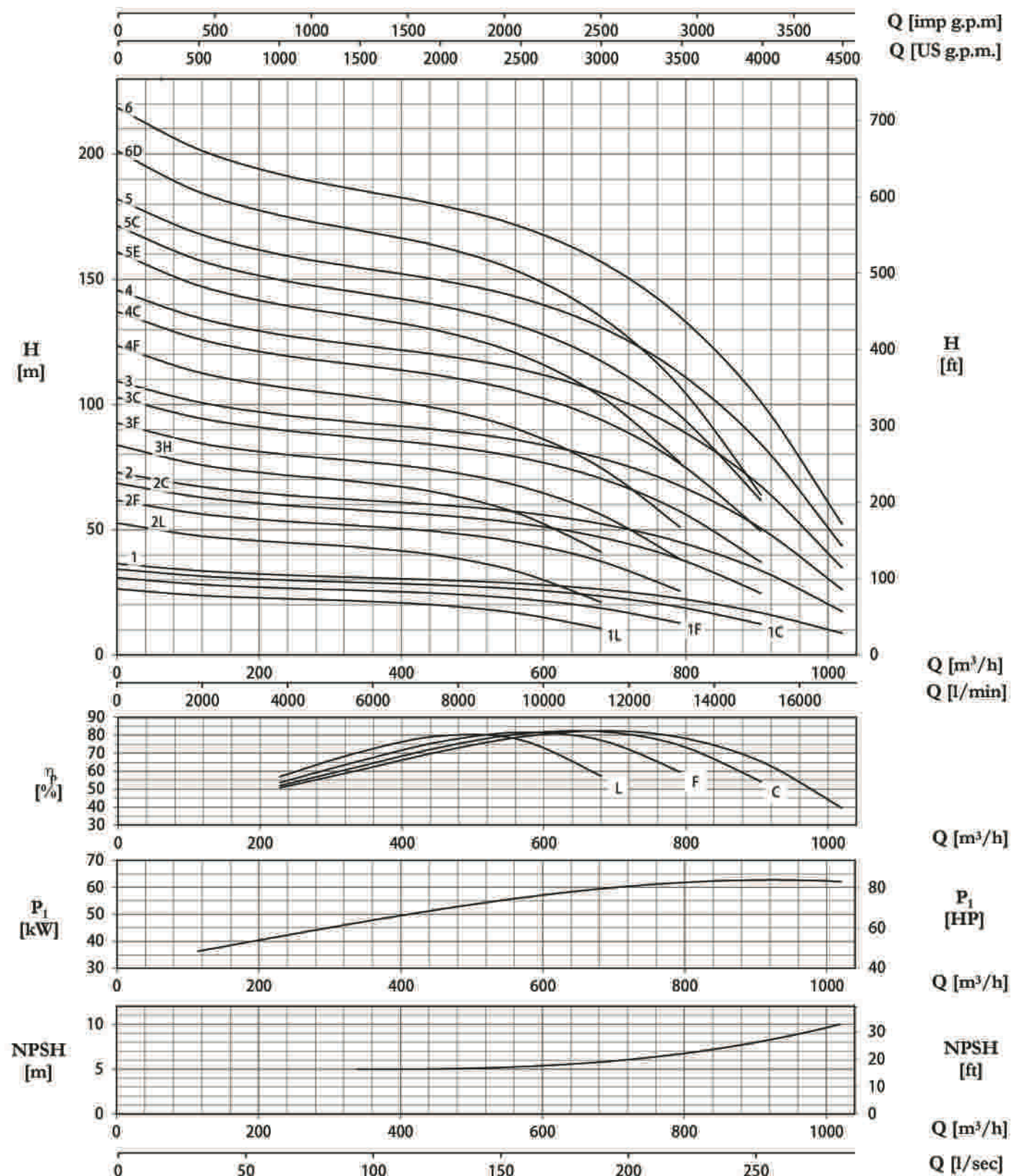
MOTOR 电机		Axis line 轴线	Driveunit 驱动机组	Base 基座	Flange discharge 排放短管	Footvalve 吸水阀	Strainer 滤网
kW	Size尺寸						
15	160	LA 10/30	E 3/10	B 10/10	DN 250 - PN 25	VF10	SU10
18,5 - 22	180		E 4/10				
30	200		E 5/10				
37 - 45	225		E 6/10				
55	250	LA 10/35	E 7/10				
75	280						
90	280						
110	315	LA 10/40	E 8/10				
132 - 160	315	LA 10/45					
200	315	LA 10/50					
250 - 280 - 315	355	LA 12/60	E 9/12	B 12/12	DN 300 - PN 25		
355	400		E 10/12				

LONG SHAFT DEEP WELL PUMP

VT SERIES / 长轴深井泵
VT系列

VT 16C

1480 r.p.m.



请注意: 适用于: ρ=1(kg/dm³)粘度<20 mm²/sec) - 保证值符合 ISO9906, Grade 2 - 水头基于 SG = 1

LONG SHAFT DEEP WELL PUMP

VT SERIES / 长轴深井泵
VT系列

VT 16D

1480 r.p.m.

型号/TYPE	kW	Q										
		m³/h	0	159	315	474	630	789	945	1104	1260	1419
		l/sec	0	44,2	87,5	131,7	175,0	219,2	262,5	306,7	350,0	394,2
		l/min	0	2650	5250	7900	10500	13150	15750	18400	21000	23650
VT 16D / 1L	45	m	24,1	22,0	20,0	18,0	15,6	12,5	8,6	--	--	--
		kW	37,1	36,2	36,2	36,6	36,7	36,1	34,3	--	--	--
VT 16D / 1F	55	m	28,3	26,1	24,2	22,2	20,0	17,4	14,2	10,2	--	--
		kW	50,2	49,1	49,0	49,3	49,7	49,6	48,7	46,5	--	--
VT 16D / 1C	75	m	31,4	29,2	27,3	25,3	23,2	20,8	18,0	14,5	10,3	--
		kW	61,3	60,0	59,7	60,0	60,4	60,6	60,2	58,8	55,9	--
VT 16D / 1	75	m	33,4	31,2	29,2	27,2	25,2	22,9	20,2	17,0	13,2	8,5
		kW	69,2	67,8	67,4	67,7	68,1	68,5	68,3	67,2	64,9	60,9
VT 16D / 2L	75	m	48,3	44,0	40,1	35,9	31,2	25,0	17,2	--	--	--
		kW	74,2	72,5	72,5	73,2	73,4	72,2	68,5	--	--	--
VT 16D / 2F	110	m	56,6	52,2	48,3	44,3	40,0	34,8	28,4	20,4	--	--
		kW	100,5	98,3	98,0	98,6	99,3	99,2	97,4	92,9	--	--
VT 16D / 2C	132	m	62,8	58,5	54,5	50,6	46,4	41,6	36,0	29,0	20,7	--
		kW	122,5	120,0	119,4	120,0	120,9	121,3	120,5	117,5	111,8	--
VT 16D / 2	160	m	66,8	62,4	58,4	54,5	50,4	45,8	40,5	34,0	26,4	17,0
		kW	138,4	135,6	134,9	135,4	136,3	137,0	136,6	134,4	129,8	121,8
VT 16D / 3H	132	m	76,8	70,3	64,5	58,4	51,5	42,8	32,1	--	--	--
		kW	124,6	121,7	121,6	122,6	123,3	122,2	117,8	--	--	--
VT 16D / 3F	160	m	84,9	78,4	72,5	66,5	60,0	52,1	42,7	30,6	--	--
		kW	150,7	147,4	147,0	147,9	149,0	148,8	146,1	139,4	--	--
VT 16D / 3C	200	m	94,2	87,7	81,8	75,8	69,6	62,4	54,0	43,5	31,0	--
		kW	183,8	180,0	179,2	180,0	181,3	181,9	180,7	176,3	167,7	--
VT 16D / 3	250	m	100,2	93,6	87,6	81,7	75,6	68,7	60,7	51,1	39,6	25,5
		kW	207,6	203,4	202,3	203,0	204,4	205,4	204,9	201,6	194,7	182,6
VT 16D / 4F	250	m	113,2	104,5	96,7	88,7	80,0	69,5	56,9	40,8	--	--
		kW	200,9	196,6	195,9	197,3	198,7	198,5	194,8	185,9	--	--
VT 16D / 4C	250	m	125,7	116,9	109,0	101,1	92,8	83,2	72,0	58,0	41,3	--
		kW	245,1	240,0	238,9	240,0	241,8	242,6	240,9	235,1	223,6	--
VT 16D / 4	280	m	133,5	124,8	116,9	109,0	100,8	91,6	81,0	68,1	52,8	34,0
		kW	276,8	271,3	269,8	270,7	272,6	273,9	273,2	268,8	259,6	243,5
VT 16D / 5E	280	m	147,5	136,6	126,8	116,9	106,3	93,6	78,6	59,6	--	--
		kW	272,0	266,2	265,1	266,7	268,7	269,0	265,5	255,9	--	--
VT 16D / 5C	315	m	157,1	146,1	136,3	126,4	116,0	104,0	89,9	72,5	51,6	--
		kW	306,4	300,0	298,6	300,0	302,2	303,2	301,2	293,8	279,5	--
VT 16D / 5	355	m	166,9	155,9	146,1	136,2	126,0	114,5	101,2	85,1	66,0	42,5
		kW	346,0	339,1	337,2	338,4	340,7	342,4	341,5	336,1	324,5	304,4
VT 16D / 6D	355	m	184,4	171,3	159,5	147,7	135,1	120,4	103,2	81,7	55,8	--
		kW	352,8	345,4	343,9	345,6	348,2	349,1	346,1	336,4	318,0	--
VT 16D / 6A	400	m	196,1	183,0	171,1	159,3	147,0	133,0	116,7	96,9	73,3	--
		kW	398,0	390,0	387,9	389,5	392,2	394,0	392,4	385,1	370,2	--

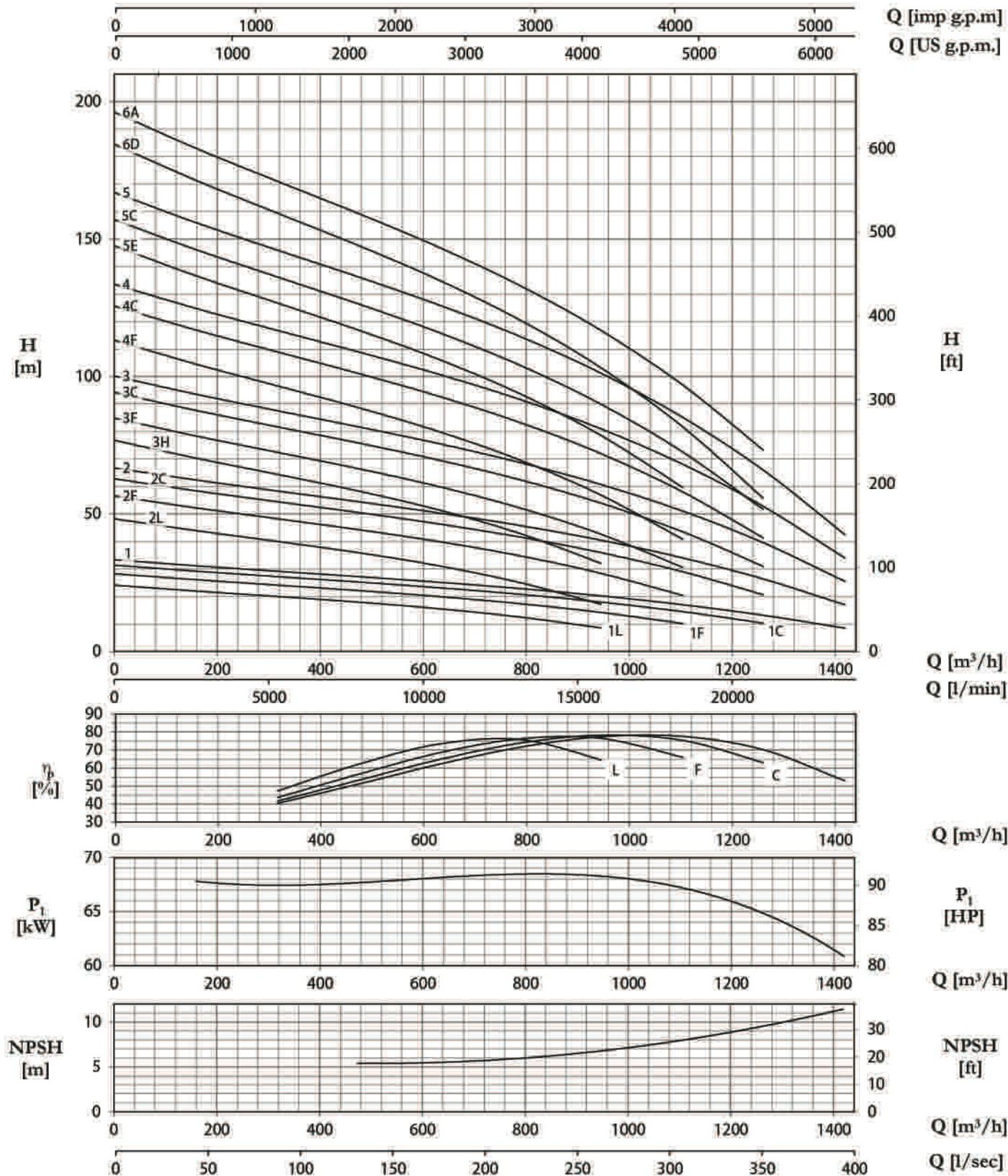
MOTOR 电机		Axis line 轴线	Driveunit 驱动机组	Base 底座	Flange discharge 排放短管	Footvalve 吸水阀	Strainer 滤网
37 - 45	225	LA 12/35	E 6/12	B 12/12	DN 300 - PN 25	--	SU11
55	250		E 7/12				
75	280		E 8/12				
90	315	LA 12/40	E 8/12				
110		LA 12/45					
132 - 160		LA 12/50					
200	355	LA 12/60	E 9/12				
250 - 280 - 315		LA 12/70	E 10/12				
355 - 400							
450	400						

LONG SHAFT DEEP WELL PUMP

VT SERIES / 长轴深井泵
VT系列

VT 16D

1480 r.p.m.



请注意: 适用于: ρ=1(kg/dm³)粘度<20 mm²/sec) - 保证值符合 1509906, Grade 2 - 水头基于 SQ = 1

LONG SHAFT DEEP WELL PUMP

VT SERIES / 长轴深井泵
VT系列

VT 22-400

990 r.p.m.

型号/TYPE	kW	Q										
		m ³ /h	0	123	246	366	489	612	735	855	978	1101
		l/sec	0	34,2	68,3	101,7	135,8	170,0	204,2	237,5	271,7	305,8
		l/min	0	2050	4100	6100	8150	10200	12250	14250	16300	18350
VT 22-400 / 1L	37	m	20,7	20,0	19,5	18,8	17,7	15,9	13,1	--	--	--
		kW	15,9	19,5	23,0	26,4	29,6	32,6	35,3	--	--	--
VT 22-400 / 1F	55	m	24,3	23,6	23,0	22,4	21,6	20,3	18,3	15,5	--	--
		kW	21,5	25,7	29,8	33,7	37,6	41,3	44,7	47,7	--	--
VT 22-400 / 1C	75	m	27,0	26,2	25,7	25,1	24,4	23,3	21,7	19,5	16,3	--
		kW	26,3	30,8	35,3	39,7	44,0	48,2	52,1	55,6	58,9	--
VT 22-400 / 1	75	m	28,7	27,9	27,4	26,8	26,2	25,2	23,8	21,9	19,1	15,5
		kW	29,7	34,5	39,4	44,0	48,6	53,1	57,4	61,3	64,9	68,2
VT 22-400 / 2L	75	m	41,4	40,0	39,0	37,7	35,5	31,8	26,1	--	--	--
		kW	31,8	38,9	46,0	52,7	59,3	65,3	70,7	--	--	--
VT 22-400 / 2F	110	m	48,6	47,1	46,0	44,9	43,2	40,6	36,6	31,0	--	--
		kW	43,1	51,3	59,5	67,4	75,2	82,5	89,4	95,4	--	--
VT 22-400 / 2C	132	m	53,9	52,4	51,3	50,2	48,8	46,7	43,5	39,0	32,7	--
		kW	52,5	61,6	70,6	79,3	88,0	96,3	104,1	111,2	117,8	--
VT 22-400 / 2	160	m	57,3	55,9	54,7	53,7	52,3	50,4	47,6	43,7	38,2	30,9
		kW	59,4	69,1	78,7	88,0	97,3	106,2	114,7	122,5	129,8	136,4
VT 22-400 / 3H	132	m	65,8	63,7	62,1	60,2	57,3	52,4	44,9	--	--	--
		kW	53,2	64,5	75,7	86,4	96,8	106,5	115,4	--	--	--
VT 22-400 / 3F	160	m	72,9	70,7	69,1	67,3	64,8	60,9	54,9	46,5	--	--
		kW	64,6	77,0	89,3	101,1	112,8	123,8	134,0	143,1	--	--
VT 22-400 / 3C	200	m	80,9	78,6	77,0	75,4	73,2	70,0	65,2	58,5	49,0	--
		kW	78,8	92,4	106,0	119,0	132,0	144,5	156,2	166,8	176,7	--
VT 22-400 / 3	250	m	86,0	83,8	82,1	80,5	78,5	75,6	71,4	65,6	57,4	46,4
		kW	89,1	103,6	118,1	132,0	145,9	159,3	172,1	183,8	194,8	204,7
VT 22-400 / 4F	200	m	97,2	94,3	92,1	89,8	86,5	81,2	73,2	61,9	--	--
		kW	86,1	102,7	119,1	134,8	150,4	165,1	178,7	190,8	--	--
VT 22-400 / 4C	250	m	107,8	104,9	102,6	100,5	97,6	93,3	86,9	78,0	65,4	--
		kW	105,0	123,2	141,3	158,7	176,0	192,6	208,3	222,4	235,6	--
VT 22-400 / 4	280	m	114,7	111,7	109,4	107,3	104,7	100,8	95,2	87,4	76,5	61,8
		kW	118,8	138,1	157,4	176,0	194,5	212,4	229,5	245,0	259,7	272,9
VT 22-400 / 5E	280	m	126,8	123,1	120,3	117,6	113,7	107,7	98,6	85,7	--	--
		kW	116,8	138,3	159,7	180,2	200,5	219,8	237,9	254,0	--	--
VT 22-400 / 5C	315	m	134,8	131,1	128,3	125,6	122,0	116,7	108,7	97,5	81,7	--
		kW	131,3	154,0	176,6	198,3	220,0	240,8	260,3	278,0	294,5	--
VT 22-400 / 5	355	m	143,4	139,6	136,8	134,2	130,8	126,0	119,0	109,3	95,6	77,3
		kW	148,5	172,7	196,8	220,0	243,2	265,5	286,8	306,3	324,6	341,1

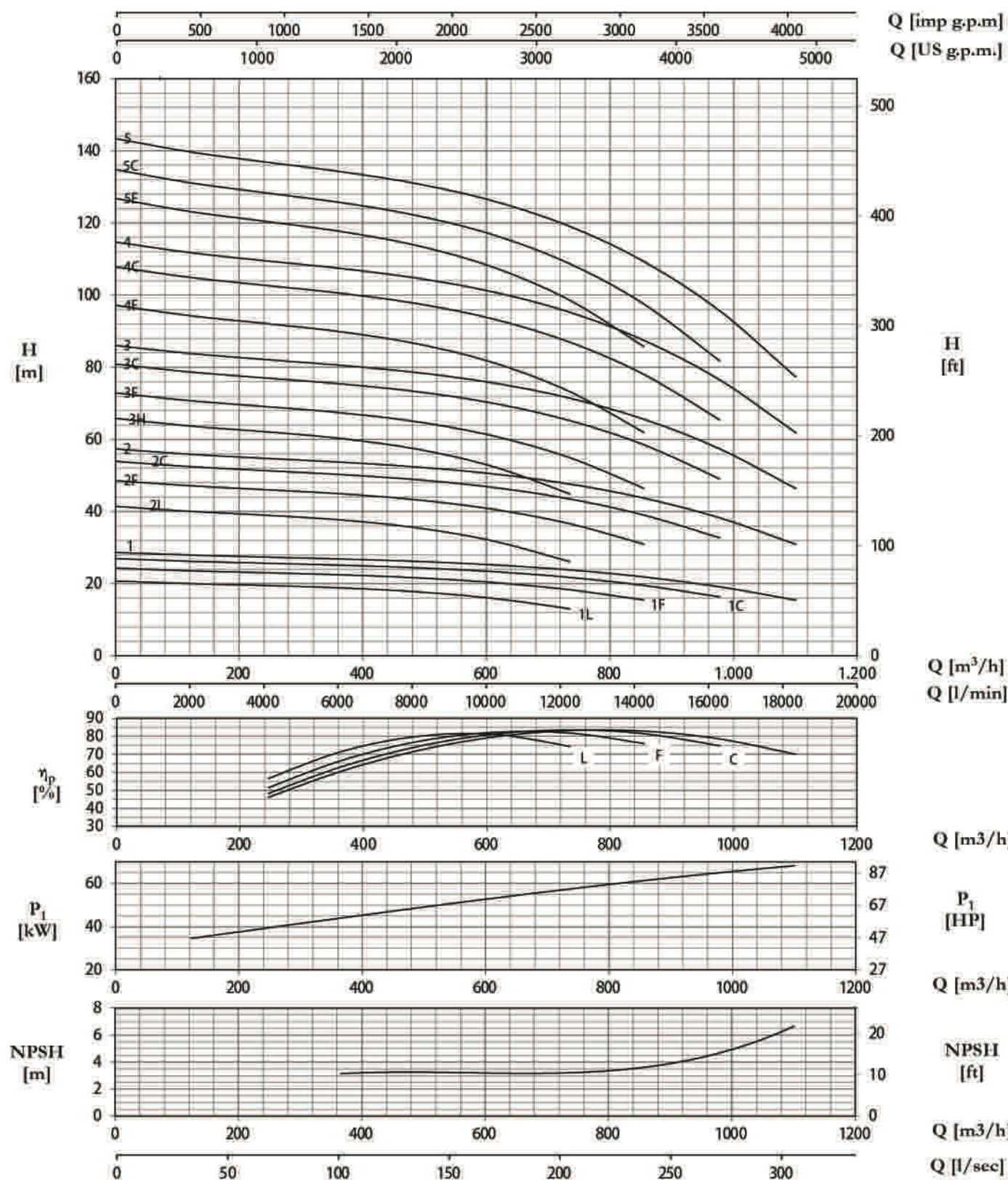
MOTOR 电机		Axis line 轴径	Driveunit 驱动机组	Base 基座	Flange discharge 排放短管	Footvalve 吸水阀	Strainer 滤网
kW	Size 尺寸						
30	225	LA 10/30	E 6/10	B 10/10	DN 250 - PN 25	-	SU12
37	250	LA 10/35	E 7/10				
45	280	LA 10/40	E 8/10				
55	315	LA 10/45	E 9/12				
75	355	LA 10/50	E 10/12	B 12/12	DN 300 - PN 25	-	-
90 - 110	315	LA 12/60	E 9/12				
132	400	LA 12/70	E 10/12				

LONG SHAFT DEEP WELL PUMP

VT SERIES / 长轴深井泵
VT系列

VT 22-400

990 r.p.m.



请注意: 适用于: ρ=1(kg/dm³)粘度<20 mm²/sec) - 保证值符合 ISO9906, Grade 2 - 水头基于 SG = 1

LONG SHAFT DEEP WELL PUMP

VT SERIES / 长轴深井泵
VT系列

VT 22-400

1490 r.p.m.

型号/TYPE	kW	Q										
		m ³ /h	0	162	321	483	645	804	966	1128	1287	1449
		l/sec	0	45,0	89,2	134,2	179,2	223,3	268,3	313,3	357,5	402,5
		l/min	0	2700	5350	8050	10750	13400	16100	18800	21450	24150
VT 22-400 / 1L	132	m	46,9	45,5	44,4	43,3	41,6	38,9	34,7	--	--	--
		kW	54,2	64,9	75,3	85,7	95,7	104,9	113,6	--	--	--
VT 22-400 / 1F	160	m	55,0	53,5	52,5	51,4	50,0	48,0	45,1	40,8	--	--
		kW	73,4	85,7	97,8	109,9	121,7	132,9	143,6	153,6	--	--
VT 22-400 / 1C	200	m	61,1	59,6	58,4	57,4	56,1	54,5	52,1	48,7	44,2	--
		kW	89,5	103,0	116,3	129,7	142,8	155,3	167,5	179,0	189,6	--
VT 22-400 / 1	250	m	64,9	63,4	62,3	61,2	60,1	58,6	56,4	53,5	49,5	44,2
		kW	101,3	115,7	129,8	144,1	158,1	171,5	184,7	197,2	208,8	219,9
VT 22-400 / 2L	250	m	93,9	91,0	88,9	86,6	83,1	77,8	69,4	--	--	--
		kW	108,4	129,7	150,6	171,3	191,3	209,8	227,3	--	--	--
VT 22-400 / 2F	315	m	110,0	107,1	104,9	102,7	100,0	96,1	90,1	81,6	--	--
		kW	146,8	171,5	195,6	219,8	243,4	265,7	287,2	307,3	--	--
VT 22-400 / 2C	400	m	122,1	119,1	116,9	114,8	112,3	109,0	104,2	97,4	88,3	--
		kW	179,0	206,1	232,6	259,4	285,6	310,6	335,0	358,0	379,2	--
VT 22-400 / 2	450	m	129,9	126,9	124,6	122,5	120,1	117,1	112,9	106,9	99,0	88,4
		kW	202,6	231,4	259,6	288,1	316,2	343,0	369,3	394,4	417,7	439,7
VT 22-400 / 3H	375	m	149,1	144,7	141,5	138,1	133,4	126,3	115,2	--	--	--
		kW	181,3	215,0	248,0	280,9	312,8	342,5	370,8	--	--	--
VT 22-400 / 3F	500	m	165,1	160,6	157,4	154,1	150,0	144,1	135,2	122,5	--	--
		kW	220,2	257,2	293,4	329,7	365,2	398,6	430,8	460,9	--	--
VT 22-400 / 3D	560	m	179,6	175,2	171,8	168,6	164,9	159,8	152,3	141,7	127,5	--
		kW	258,8	298,7	337,8	377,2	415,8	452,5	488,2	522,0	552,8	--
VT 22-400 / 3A	630	m	190,8	186,2	182,8	179,7	176,1	171,5	164,8	155,5	143,1	--
		kW	291,2	333,5	375,0	416,9	458,0	497,2	535,7	572,3	606,1	--

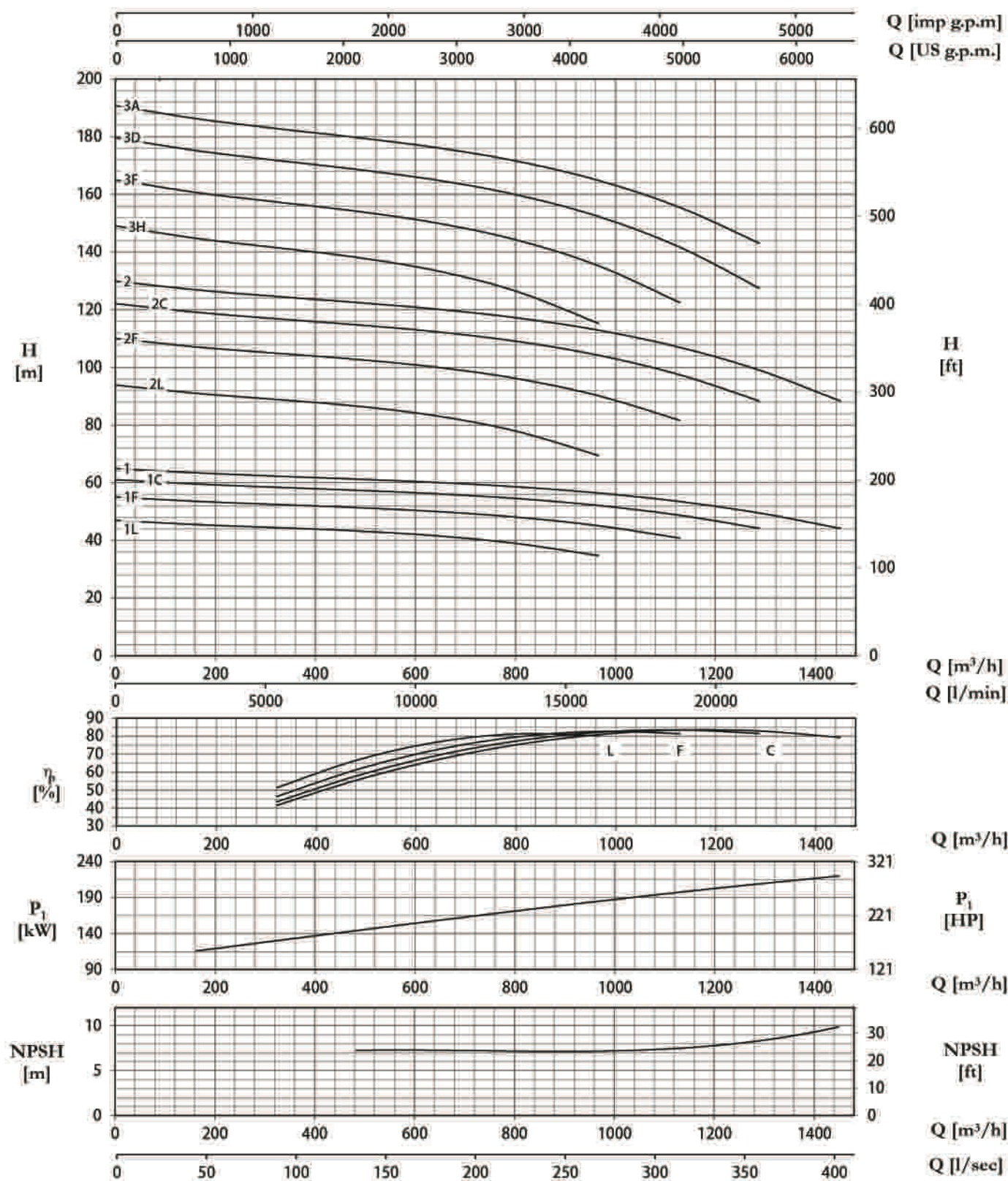
MOTOR 电机		Axis line 轴线	Driveunit 驱动机组	Base 基座	Flange discharge 排放短管	Footvalve 吸水阀	Strainer 滤网
kW	Size尺寸	LA 14/50	E 8/14	B 16/14	DN 400 - PN 25	-	SU12
110 - 132 - 160 - 200	315	LA 14/60	E 9/14				
250 - 280 - 315	355	LA 14/70	E 10/14				
355 - 400	400	LA 14/80					
450 - 500 - 560 - 630							
	710						

LONG SHAFT DEEP WELL PUMP

VT SERIES / 长轴深井泵
VT系列

VT 22-400

1490 r.p.m.

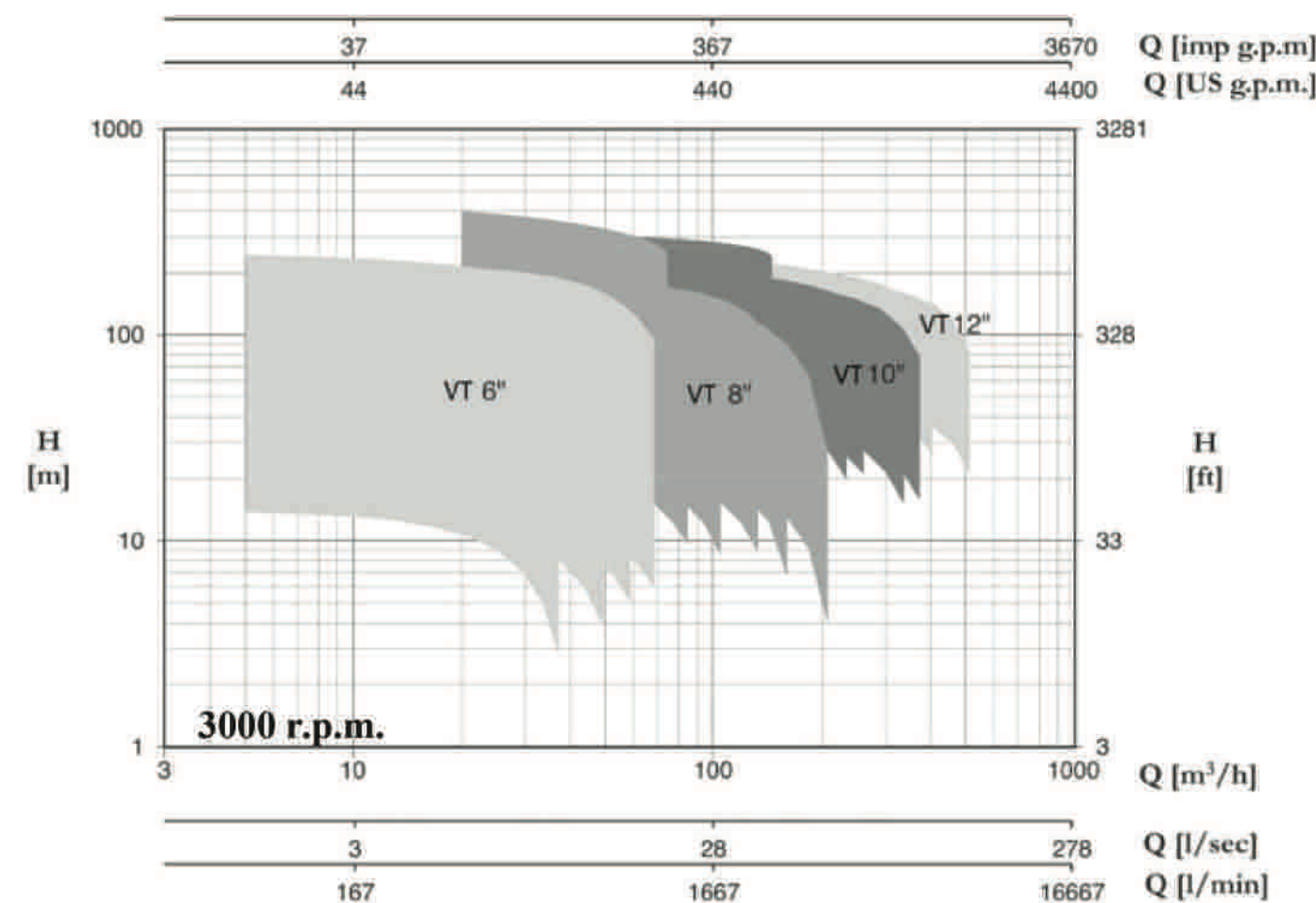


LONG SHAFT DEEP WELL PUMP

VT SERIES / 长轴深井泵
VT系列

Performance data and curves for product line 3000 rpm

3000 rpm 产品系列性能数据和曲线



- VT
- 990/1500RPM
- 3000RPM
- COMPONENTS
- DIMENSIONS
- APPLICATIONS
- OTHERS

LONG SHAFT DEEP WELL PUMP

VT SERIES / 长轴深井泵
VT系列

VT 6A

2850 r.p.m.

TYPE 型号	kW	Q									
		m ³ /h	0	5	10	15	20	25	30	32,5	35
VT 6A / 1	1,5	l/sec	0	1,39	2,78	4,17	5,56	6,94	8,33	9,03	9,72
		l/min	0	83,3	167	250	333	417	500	542	583
		m	15,4	14,9	14,1	13,3	12,4	11,1	8,8	7,4	5,8
VT 6A / 2	3	kW	0,6	0,7	0,8	0,9	1,0	1,1	1,1	1,1	1,1
		m	30,8	29,7	28,1	26,6	24,8	22,1	17,6	14,8	11,6
		kW	1,3	1,5	1,7	1,9	2,0	2,2	2,2	2,2	2,1
VT 6A / 3	4	m	46,2	44,6	42,2	39,9	37,2	33,2	26,4	22,2	17,4
		kW	1,9	2,2	2,5	2,8	3,1	3,3	3,3	3,2	3,2
		m	61,6	59,4	56,2	53,2	49,6	44,2	35,2	29,6	23,2
VT 6A / 4	5,5	kW	2,5	2,9	3,3	3,7	4,1	4,3	4,4	4,3	4,2
		m	77,0	74,3	70,3	66,5	62,0	55,3	44,0	37,0	29,0
		kW	3,2	3,7	4,1	4,6	5,1	5,4	5,5	5,4	5,3
VT 6A / 5	7,5	m	92,4	89,1	84,3	79,8	74,4	66,3	52,8	44,4	34,8
		kW	3,8	4,4	5,0	5,6	6,1	6,5	6,6	6,5	6,3
		m	107,8	104,0	98,4	93,1	86,8	77,4	61,6	51,8	40,6
VT 6A / 6	7,5	kW	4,4	5,1	5,8	6,5	7,1	7,6	7,7	7,6	7,4
		m	123,2	118,8	112,4	106,4	99,2	88,4	70,4	59,2	46,4
		kW	5,0	5,8	6,6	7,4	8,2	8,7	8,8	8,7	8,4
VT 6A / 7	11	m	138,6	133,7	126,5	119,7	111,6	99,5	79,2	66,6	52,2
		kW	5,7	6,6	7,4	8,3	9,2	9,8	9,9	9,7	9,5
		m	154,0	148,5	140,5	133,0	124,0	110,5	88,0	74,0	58,0
VT 6A / 8	11	kW	6,3	7,3	8,3	9,3	10,2	10,9	11,0	10,8	10,6
		m	169,4	163,4	154,6	146,3	136,4	121,6	96,8	81,4	63,8
		kW	6,9	8,0	9,1	10,2	11,2	11,9	12,0	11,9	11,6
VT 6A / 9	15	m	184,8	178,2	168,6	159,6	148,8	132,6	105,6	88,8	69,6
		kW	7,6	8,8	9,9	11,1	12,2	13,0	13,1	13,0	12,7
		m	200,2	193,1	182,7	172,9	161,2	143,7	114,4	96,2	75,4
VT 6A / 10	15	kW	8,2	9,5	10,7	12,0	13,3	14,1	14,2	14,1	13,7
		m	215,6	207,9	196,7	186,2	173,6	154,7	123,2	103,6	81,2
		kW	8,8	10,2	11,6	13,0	14,3	15,2	15,3	15,2	14,8
VT 6A / 11	18,5	m	231,0	222,8	210,8	199,5	186,0	165,8	132,0	111,0	87,0
		kW	9,5	11,0	12,4	13,9	15,3	16,3	16,4	16,2	15,8
		m	246,4	237,6	224,8	212,8	198,4	176,8	140,8	118,4	92,8
VT 6A / 12	18,5	kW	10,1	11,7	13,2	14,8	16,3	17,4	17,5	17,3	16,9
		m	261,8	251,8	237,8	224,8	210,8	196,8	172,8	148,8	124,8
		kW	10,7	12,3	13,8	15,3	16,7	17,8	17,9	17,7	17,3

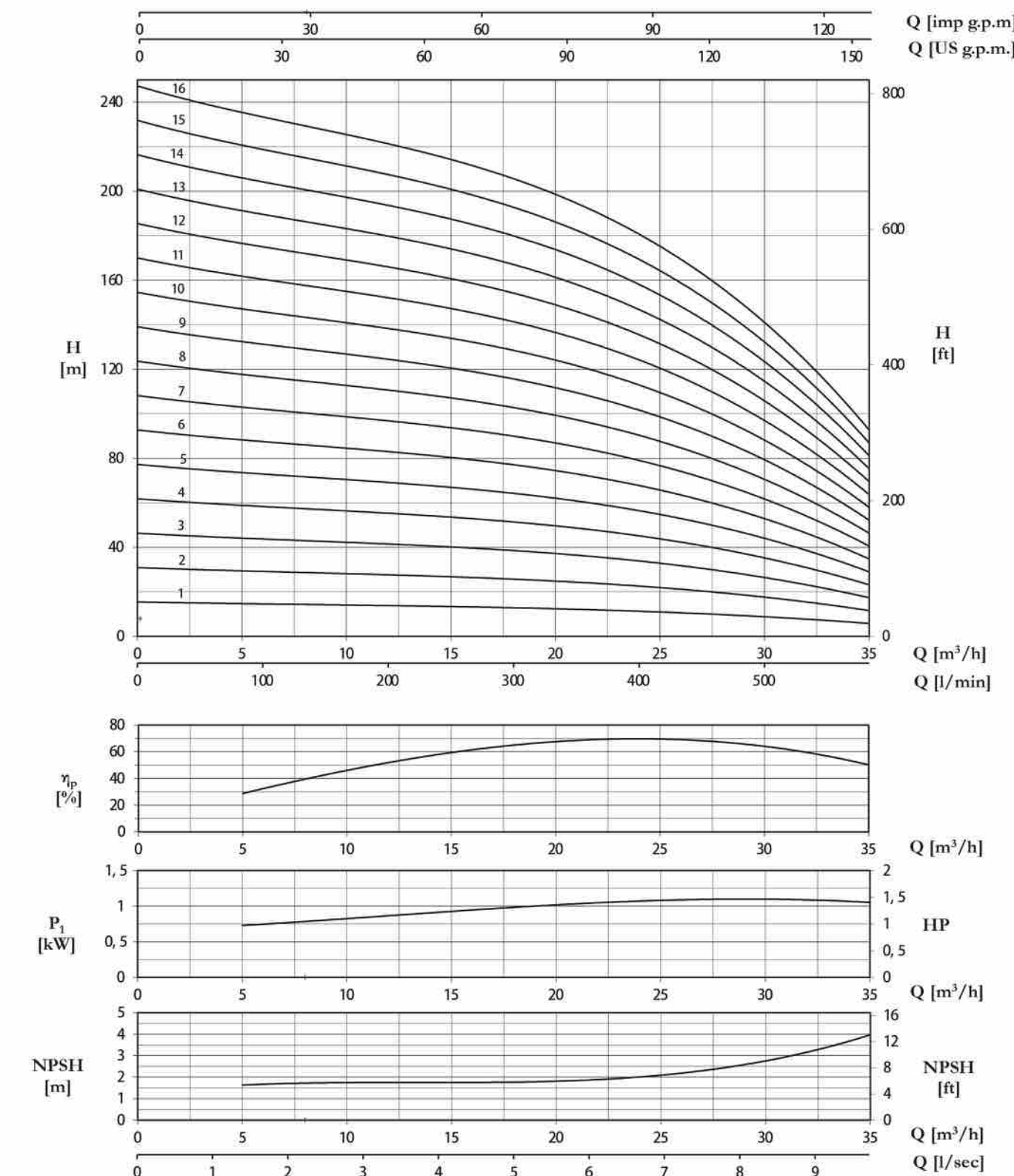
MOTOR 电机		Axis line 轴线	Driveunit 驱动机组	Base 基座	Flange discharge 排放短管	Foot valve 吸水阀	Strainer 滤网
kW	Size 尺寸	LA 3/20	E 0/3 E 1/3 E 2/3 E 3/3 E 4/3 E 5/3	B 4/3	DN 100 - PN 25	VF3	SU3
1,1	80						
1,5 - 2,2	90						
3	100						
4	112						
5,5 - 7,5	132						
11 - 15 - 18,5	160						
22	180						
30 - 37	200	LA 3/24					

LONG SHAFT DEEP WELL PUMP

VT SERIES / 长轴深井泵
VT系列

VT 6A

2850 r.p.m.



LONG SHAFT DEEP WELL PUMP

VT SERIES / 长轴深井泵
VT系列

VT 6B

2850 r.p.m.

TYPE 型号	kW	Q											
		m ³ /h	0	5	10	15	20	25	30	35	37,5		
		l/sec	0	1,39	2,78	4,17	5,56	6,94	8,33	9,72	10,4		
		l/min	0	83,3	167	250	333	417	500	583	625		
VT 6B / 1	1,1	m	14,6	14,1	13,4	12,3	10,9	9,1	7,0	4,3	2,8		
		kW	0,6	0,7	0,8	0,9	0,9	0,9	0,9	0,8	0,8		
VT 6B / 2	2,2	m	29,2	28,1	26,8	24,5	21,7	18,2	13,9	8,6	5,6		
		kW	1,2	1,3	1,5	1,7	1,8	1,9	1,8	1,6	1,5		
VT 6B / 3	3	m	43,8	42,2	40,2	36,8	32,6	27,3	20,9	12,9	8,4		
		kW	1,8	2,0	2,3	2,6	2,7	2,8	2,7	2,4	2,3		
VT 6B / 4	4	m	58,4	56,2	53,6	49,0	43,4	36,4	27,8	17,2	11,2		
		kW	2,4	2,6	3,0	3,4	3,7	3,8	3,6	3,2	3,1		
VT 6B / 5	5,5	m	73,0	70,3	67,0	61,3	54,3	45,5	34,8	21,5	14,0		
		kW	3,0	3,3	3,8	4,3	4,6	4,7	4,6	4,1	3,8		
VT 6B / 6	5,5	m	87,6	84,3	80,4	73,5	65,1	54,6	41,7	25,8	16,8		
		kW	3,5	4,0	4,5	5,1	5,5	5,6	5,5	4,9	4,6		
VT 6B / 7	7,5	m	102,2	98,4	93,8	85,8	76,0	63,7	48,7	30,1	19,6		
		kW	4,1	4,6	5,3	6,0	6,4	6,6	6,4	5,7	5,4		
VT 6B / 8	7,5	m	116,8	112,4	107,2	98,0	86,8	72,8	55,6	34,4	22,4		
		kW	4,7	5,3	6,0	6,8	7,3	7,5	7,3	6,5	6,1		
VT 6B / 9	7,5	m	131,4	126,5	120,6	110,3	97,7	81,9	62,6	38,7	25,2		
		kW	5,3	5,9	6,8	7,7	8,2	8,5	8,2	7,3	6,9		
VT 6B / 10	11	m	146,0	140,5	134,0	122,5	108,5	91,0	69,5	43,0	28,0		
		kW	5,9	6,6	7,6	8,6	9,2	9,4	9,1	8,1	7,7		
VT 6B / 11	11	m	160,6	154,6	147,4	134,8	119,4	100,1	76,5	47,3	30,8		
		kW	6,5	7,3	8,3	9,4	10,1	10,3	10,0	8,9	8,4		
VT 6B / 12	11	m	175,2	168,6	160,8	147,0	130,2	109,2	83,4	51,6	33,6		
		kW	7,1	7,9	9,1	10,3	11,0	11,3	10,9	9,7	9,2		
VT 6B / 13	11	m	189,8	182,7	174,2	159,3	141,1	118,3	90,4	55,9	36,4		
		kW	7,7	8,6	9,8	11,1	11,9	12,2	11,8	10,5	9,9		
VT 6B / 14	15	m	204,4	196,7	187,6	171,5	151,9	127,4	97,3	60,2	39,2		
		kW	8,3	9,2	10,6	12,0	12,8	13,2	12,7	11,3	10,7		
VT 6B / 15	15	m	219,0	210,8	201,0	183,8	162,8	136,5	104,3	64,5	42,0		
		kW	8,9	9,9	11,3	12,8	13,7	14,1	13,7	12,2	11,5		
VT 6B / 16	15	m	233,6	224,8	214,4	196,0	173,6	145,6	111,2	68,8	44,8		
		kW	9,4	10,6	12,1	13,7	14,6	15,0	14,6	13,0	12,2		

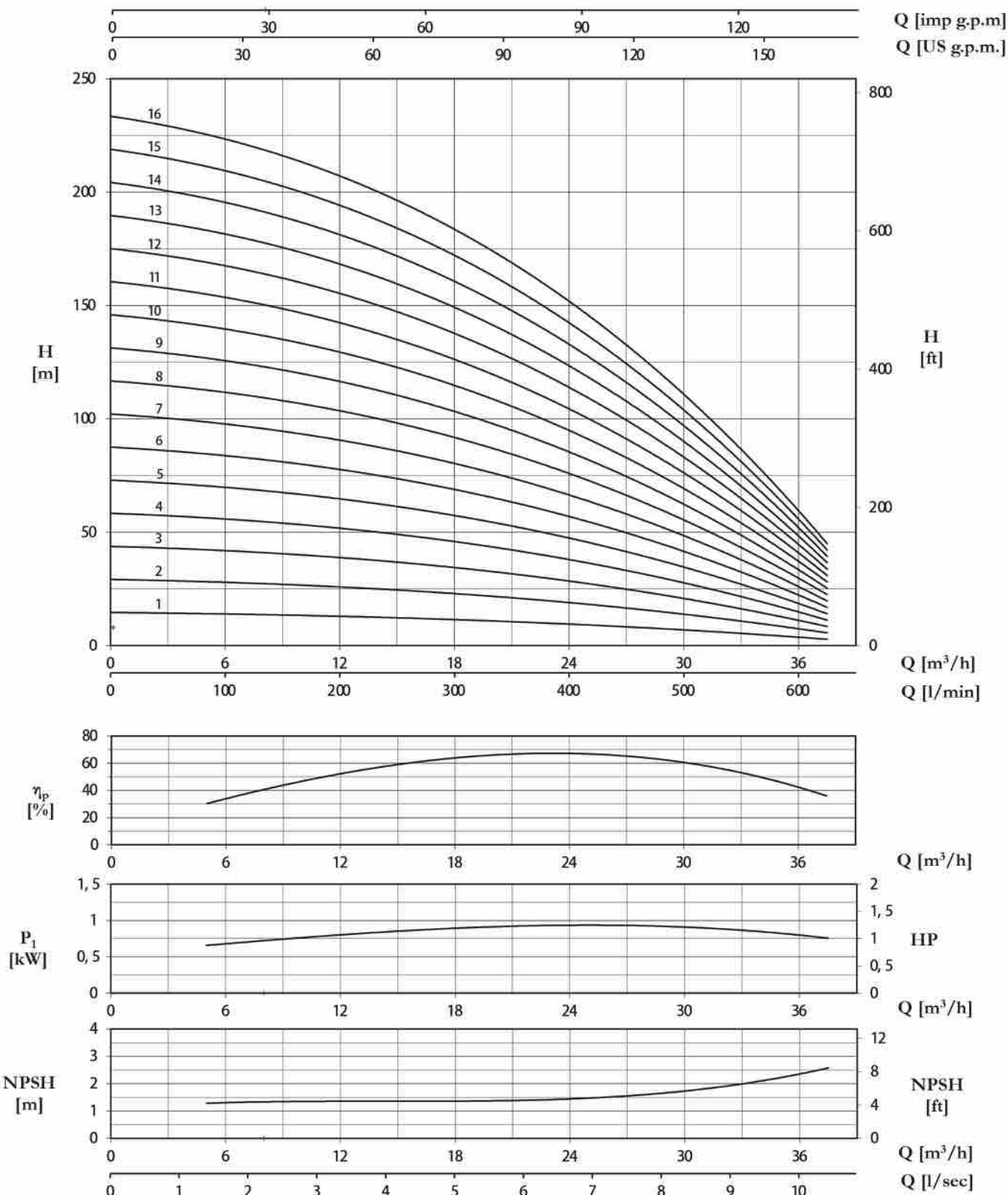
MOTOR 电机		Axis line 轴线	Driveunit 驱动机组	Base 基座	Flange discharge 排放短管	Footvalve 吸水阀	Strainer 滤网
kW	Size 尺寸	LA 3/20	E 0/3	B 4/3	DN 100 - PN 25	VF3	SU3
1,1	80						
1,5 - 2,2	90						
3	100						
4	112						
5,5 - 7,5	132						
11 - 15 - 18,5	160						
22	180						
30 - 37	200	LA 3/24	E 5/3				

LONG SHAFT DEEP WELL PUMP

VT SERIES / 长轴深井泵
VT系列

VT 6B

2850 r.p.m.



- VT
- 990/1500RPM
- 3000RPM
- COMPONENTS
- DIMENSIONS
- APPLICATIONS
- OTHERS

LONG SHAFT DEEP WELL PUMP

VT SERIES / 长轴深井泵
VT系列

VT 6C

2850 r.p.m.

TYPE 型号	kW	Q									
		m³/h	0	10	20	25	30	35	40	45	50
		l/sec	0	2,78	5,56	6,94	8,33	9,72	11,1	12,5	13,9
		l/min	0	167	333	417	500	583	667	750	833
VT 6C / 1	1,5	m	14,5	13,2	11,8	11,1	10,1	8,8	7,3	5,6	3,8
		kW	0,8	0,9	1,0	1,1	1,2	1,2	1,2	1,1	1,1
VT 6C / 2	3	m	28,9	26,4	23,6	22,1	20,1	17,6	14,6	11,1	7,5
		kW	1,6	1,8	2,1	2,2	2,3	2,4	2,3	2,3	2,1
VT 6C / 3	4	m	43,4	39,6	35,4	33,2	30,2	26,4	21,9	16,7	11,3
		kW	2,3	2,7	3,1	3,3	3,5	3,5	3,5	3,4	3,2
VT 6C / 4	5,5	m	57,8	52,8	47,2	44,2	40,2	35,2	29,2	22,2	15,0
		kW	3,1	3,6	4,1	4,4	4,6	4,7	4,6	4,5	4,3
VT 6C / 5	7,5	m	72,3	66,0	59,0	55,3	50,3	44,0	36,5	27,8	18,8
		kW	3,9	4,6	5,1	5,5	5,8	5,9	5,8	5,7	5,4
VT 6C / 6	7,5	m	86,7	79,2	70,8	66,3	60,3	52,8	43,8	33,3	22,5
		kW	4,7	5,5	6,2	6,6	6,9	7,1	7,0	6,8	6,4
VT 6C / 7	11	m	101,2	92,4	82,6	77,4	70,4	61,6	51,1	38,9	26,3
		kW	5,5	6,4	7,2	7,7	8,1	8,3	8,1	7,9	7,5
VT 6C / 8	11	m	115,6	105,6	94,4	88,4	80,4	70,4	58,4	44,4	30,0
		kW	6,2	7,3	8,2	8,8	9,2	9,4	9,3	9,1	8,6
VT 6C / 9	11	m	130,1	118,8	106,2	99,5	90,5	79,2	65,7	50,0	33,8
		kW	7,0	8,2	9,2	9,9	10,4	10,6	10,4	10,2	9,6
VT 6C / 10	15	m	144,5	132,0	118,0	110,5	100,5	88,0	73,0	55,5	37,5
		kW	7,8	9,1	10,3	11,1	11,6	11,8	11,6	11,4	10,7
VT 6C / 11	15	m	159,0	145,2	129,8	121,6	110,6	96,8	80,3	61,1	41,3
		kW	8,6	10,0	11,3	12,2	12,7	13,0	12,8	12,5	11,8
VT 6C / 12	15	m	173,4	158,4	141,6	132,6	120,6	105,6	87,6	66,6	45,0
		kW	9,4	10,9	12,3	13,3	13,9	14,2	13,9	13,6	12,8
VT 6C / 13	18,5	m	187,9	171,6	153,4	143,7	130,7	114,4	94,9	72,2	48,8
		kW	10,1	11,8	13,3	14,4	15,0	15,3	15,1	14,8	13,9
VT 6C / 14	18,5	m	202,3	184,8	165,2	154,7	140,7	123,2	102,2	77,7	52,5
		kW	10,9	12,7	14,4	15,5	16,2	16,5	16,2	15,9	15,0
VT 6C / 15	18,5	m	216,8	198,0	177,0	165,8	150,8	132,0	109,5	83,3	56,3
		kW	11,7	13,7	15,4	16,6	17,3	17,7	17,4	17,0	16,1
VT 6C / 16	22	m	231,2	211,2	188,8	176,8	160,8	140,8	116,8	88,8	60,0
		kW	12,5	14,6	16,4	17,7	18,5	18,9	18,6	18,2	17,1

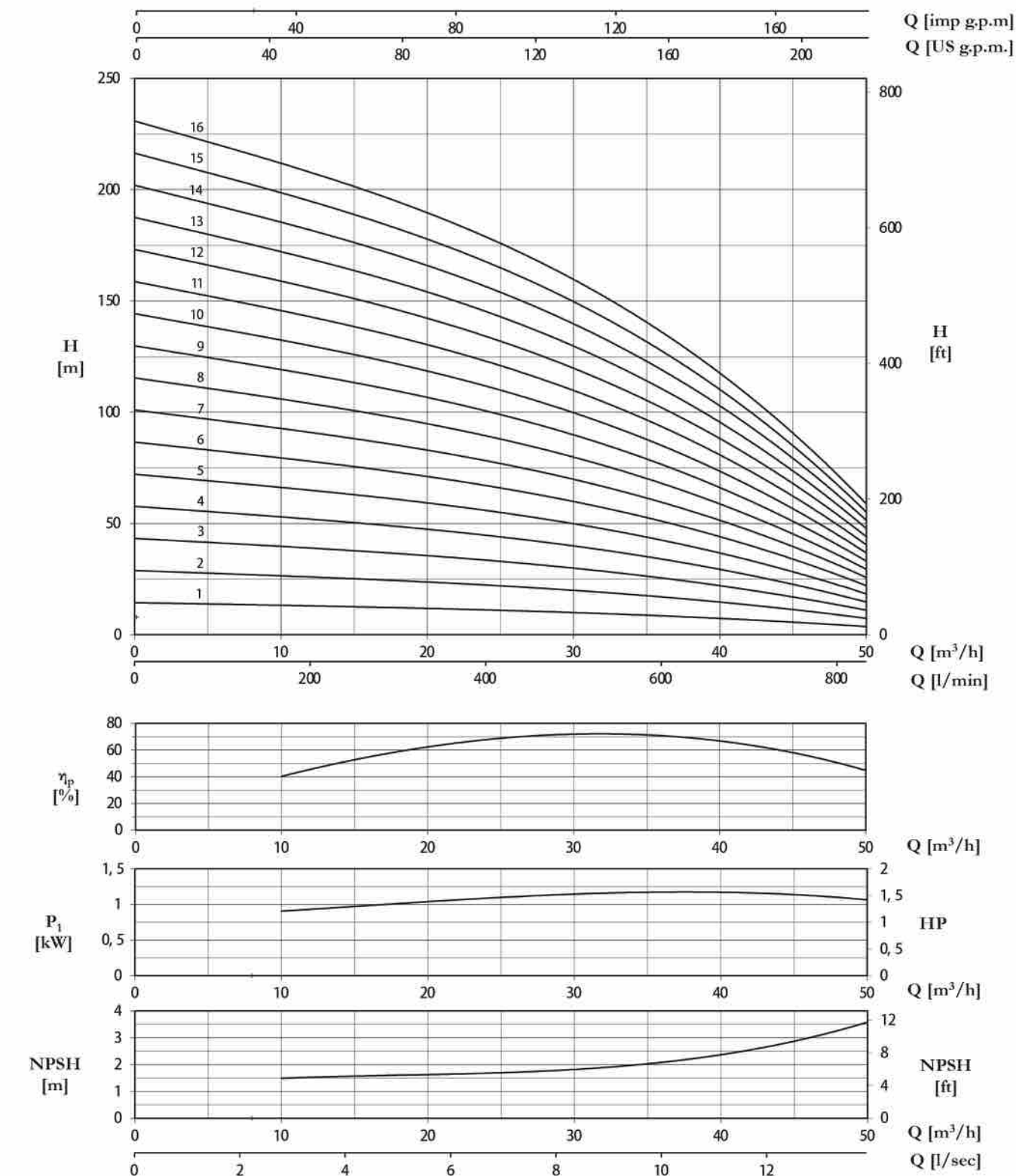
MOTOR 电机		Axis line	Driveunit	Base	Flange discharge	Footvalve	Strainer
kW	Size 尺寸	轴线	驱动机组	基座	排放短管	吸水阀	滤网
1,1	80	LA 3/20	E 0/3	B 4/3	DN 100 - PN 25	VF3	SU3
1,5 - 2,2	90						
3	100						
4	112						
5,5 - 7,5	132						
11 - 15 - 18,5	160						
22	180	LA 3/24	E 4/3				
30 - 37	200		E 5/3				

LONG SHAFT DEEP WELL PUMP

VT SERIES / 长轴深井泵
VT系列

VT 6C

2850 r.p.m.



LONG SHAFT DEEP WELL PUMP

VT SERIES / 长轴深井泵
VT系列

VT 6D

2850 r.p.m.

TYPE 型号	kW	Q									
		m³/h	0	10	20	30	40	45	50	55	60
		l/sec	0	2,78	5,56	8,33	11,1	12,5	13,9	15,3	16,67
		l/min	0	167	333	500	667	750	833	917	1000
VT 6D / 1	2,2	m	16,2	15,1	13,8	12,3	10,3	9,1	7,9	6,5	5,1
		kW	1,1	1,2	1,4	1,5	1,7	1,7	1,7	1,7	1,7
VT 6D / 2	4	m	32,3	30,2	27,5	24,5	20,6	18,2	15,7	13,0	10,1
		kW	2,1	2,4	2,7	3,1	3,3	3,4	3,4	3,4	3,3
VT 6D / 3	5,5	m	48,5	45,3	41,3	36,8	30,9	27,3	23,6	19,5	15,2
		kW	3,2	3,6	4,1	4,6	5,0	5,1	5,1	5,1	5,0
VT 6D / 4	7,5	m	64,6	60,4	55,0	49,0	41,2	36,4	31,4	26,0	20,2
		kW	4,3	4,8	5,4	6,2	6,7	6,8	6,8	6,8	6,6
VT 6D / 5	11	m	80,8	75,5	68,8	61,3	51,5	45,5	39,3	32,5	25,3
		kW	5,4	6,0	6,8	7,7	8,4	8,5	8,6	8,5	8,3
VT 6D / 6	11	m	96,9	90,6	82,5	73,5	61,8	54,6	47,1	39,0	30,3
		kW	6,4	7,1	8,1	9,2	10,0	10,2	10,3	10,1	10,0
VT 6D / 7	15	m	113,1	105,7	96,3	85,8	72,1	63,7	55,0	45,5	35,4
		kW	7,5	8,3	9,5	10,8	11,7	11,9	12,0	11,8	11,6
VT 6D / 8	15	m	129,2	120,8	110,0	98,0	82,4	72,8	62,8	52,0	40,4
		kW	8,6	9,5	10,8	12,3	13,4	13,6	13,7	13,5	13,3
VT 6D / 9	18,5	m	145,4	135,9	123,8	110,3	92,7	81,9	70,7	58,5	45,5
		kW	9,6	10,7	12,2	13,9	15,0	15,3	15,4	15,2	14,9
VT 6D / 10	18,5	m	161,5	151,0	137,5	122,5	103,0	91,0	78,5	65,0	50,5
		kW	10,7	11,9	13,5	15,4	16,7	17,1	17,1	16,9	16,6
VT 6D / 11	22	m	177,7	166,1	151,3	134,8	113,3	100,1	86,4	71,5	55,6
		kW	11,8	13,1	14,9	16,9	18,4	18,8	18,8	18,6	18,3
VT 6D / 12	22	m	193,8	181,2	165,0	147,0	123,6	109,2	94,2	78,0	60,6
		kW	12,8	14,3	16,2	18,5	20,0	20,5	20,5	20,3	19,9
VT 6D / 13	30	m	210,0	196,3	178,8	159,3	133,9	118,3	102,1	84,5	65,7
		kW	13,9	15,5	17,6	20,0	21,7	22,2	22,2	22,0	21,6
VT 6D / 14	30	m	226,1	211,4	192,5	171,5	144,2	127,4	109,9	91,0	70,7
		kW	15,0	16,7	18,9	21,6	23,4	23,9	23,9	23,7	23,2
VT 6D / 15	30	m	242,3	226,5	206,3	183,8	154,5	136,5	117,8	97,5	75,8
		kW	16,1	17,9	20,3	23,1	25,1	25,6	25,7	25,4	24,9
VT 6D / 16	30	m	258,4	241,6	220,0	196,0	164,8	145,6	125,6	104,0	80,8
		kW	17,1	19,0	21,6	24,6	26,7	27,3	27,4	27,0	26,6

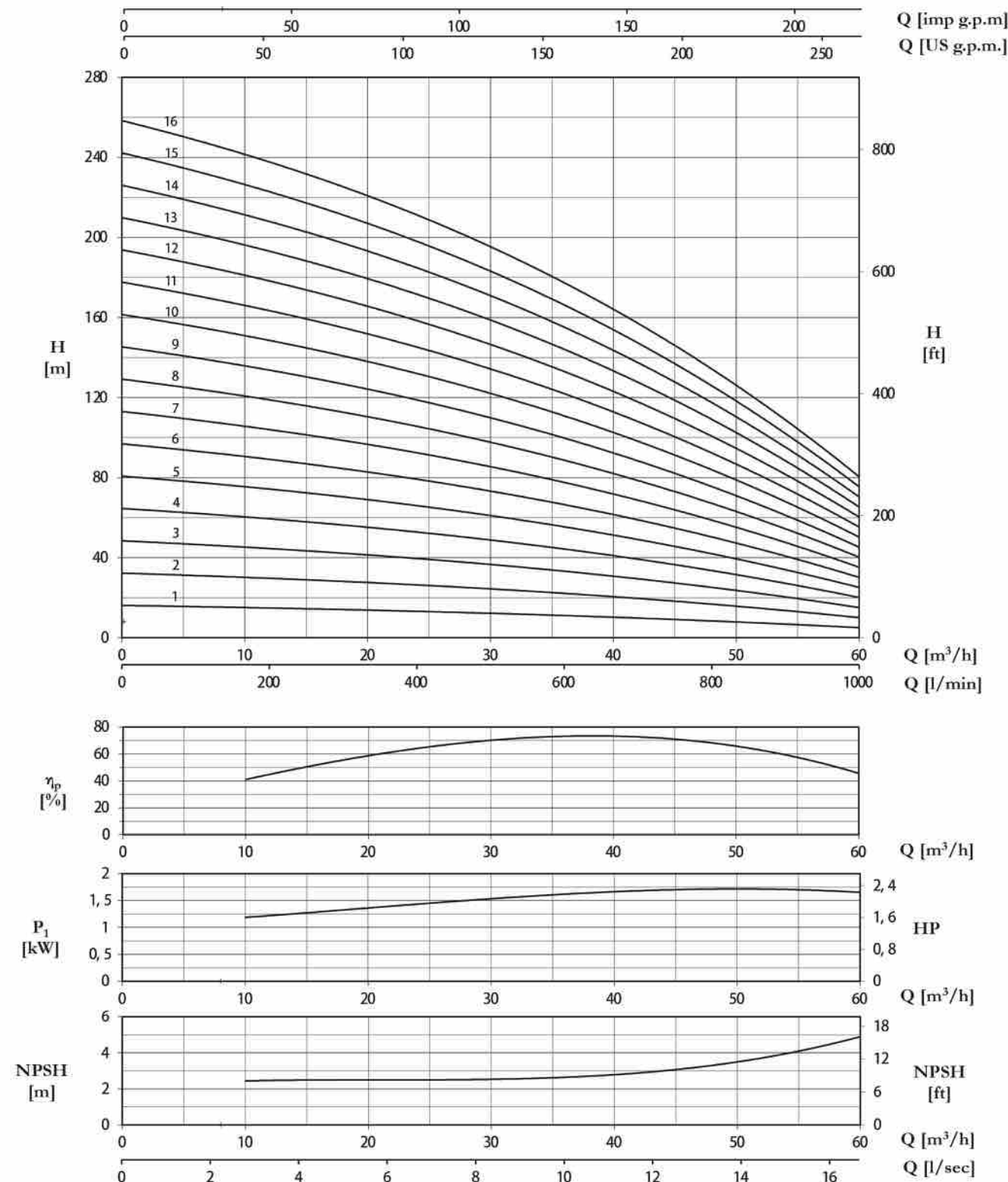
MOTOR 电机		Axis line	Driveunit	Base	Flange discharge	Footvalve	Strainer
kW	Size 尺寸	轴线	驱动机组	基座	排放短管	吸水阀	滤网
1,1	80	LA 3/20	E 0/3	B 4/3	DN 100 - PN 25	VF3	SU3
1,5 - 2,2	90						
3	100						
4	112						
5,5 - 7,5	132						
11 - 15 - 18,5	160						
22	180						
30 - 37	200	LA 3/24	E 5/3				

LONG SHAFT DEEP WELL PUMP

VT SERIES / 长轴深井泵
VT系列

VT 6D

2850 r.p.m.



LONG SHAFT DEEP WELL PUMP

VT SERIES / 长轴深井泵
VT系列

VT 6E

2850 r.p.m.

TYPE 型号	kW	Q									
		m³/h	0	10	20	30	40	50	60	65	70
		l/sec	0	2,78	5,56	8,33	11,1	13,9	16,67	18,1	19,44
		l/min	0	167	333	500	667	833	1000	1083	1167
VT 6E / 1	3	m	15,0	14,3	13,5	12,8	11,7	10,3	8,3	7,2	6,0
		kW	1,1	1,2	1,4	1,6	1,9	2,0	2,0	2,0	2,1
VT 6E / 2	5,5	m	30,0	28,5	26,9	25,5	23,4	20,5	16,5	14,3	12,0
		kW	2,2	2,4	2,9	3,3	3,7	4,0	4,0	4,1	4,1
VT 6E / 3	7,5	m	45,0	42,8	40,4	38,3	35,1	30,8	24,8	21,5	18,0
		kW	3,3	3,7	4,3	4,9	5,6	5,9	6,1	6,1	6,2
VT 6E / 4	11	m	60,0	57,0	53,8	51,0	46,8	41,0	33,0	28,6	24,0
		kW	4,4	4,9	5,7	6,6	7,4	7,9	8,1	8,2	8,3
VT 6E / 5	15	m	75,0	71,3	67,3	63,8	58,5	51,3	41,3	35,8	30,0
		kW	5,5	6,1	7,2	8,2	9,3	9,9	10,1	10,2	10,4
VT 6E / 6	15	m	90,0	85,5	80,7	76,5	70,2	61,5	49,5	42,9	36,0
		kW	6,6	7,3	8,6	9,8	11,1	11,9	12,1	12,2	12,4
VT 6E / 7	18,5	m	105,0	99,8	94,2	89,3	81,9	71,8	57,8	50,1	42,0
		kW	7,7	8,5	10,0	11,5	13,0	13,9	14,1	14,3	14,5
VT 6E / 8	18,5	m	120,0	114,0	107,6	102,0	93,6	82,0	66,0	57,2	48,0
		kW	8,8	9,8	11,4	13,1	14,8	15,8	16,2	16,3	16,6
VT 6E / 9	22	m	135,0	128,3	121,1	114,8	105,3	92,3	74,3	64,4	54,0
		kW	9,9	11,0	12,9	14,8	16,7	17,8	18,2	18,4	18,6
VT 6E / 10	30	m	150,0	142,5	134,5	127,5	117,0	102,5	82,5	71,5	60,0
		kW	11,0	12,2	14,3	16,4	18,5	19,8	20,2	20,4	20,7
VT 6E / 11	30	m	165,0	156,8	148,0	140,3	128,7	112,8	90,8	78,7	66,0
		kW	12,1	13,4	15,7	18,0	20,4	21,8	22,2	22,4	22,8
VT 6E / 12	30	m	180,0	171,0	161,4	153,0	140,4	123,0	99,0	85,8	72,0
		kW	13,2	14,6	17,2	19,7	22,2	23,8	24,2	24,5	24,8
VT 6E / 13	30	m	195,0	185,3	174,9	165,8	152,1	133,3	107,3	93,0	78,0
		kW	14,3	15,9	18,6	21,3	24,1	25,7	26,3	26,5	26,9
VT 6E / 14	37	m	210,0	199,5	188,3	178,5	163,8	143,5	115,5	100,1	84,0
		kW	15,4	17,1	20,0	23,0	25,9	27,7	28,3	28,6	29,0
VT 6E / 15	37	m	225,0	213,8	201,8	191,3	175,5	153,8	123,8	107,3	90,0
		kW	16,5	18,3	21,5	24,6	27,8	29,7	30,3	30,6	31,1
VT 6E / 16	37	m	240,0	228,0	215,2	204,0	187,2	164,0	132,0	114,4	96,0
		kW	17,6	19,5	22,9	26,2	29,6	31,7	32,3	32,6	33,1

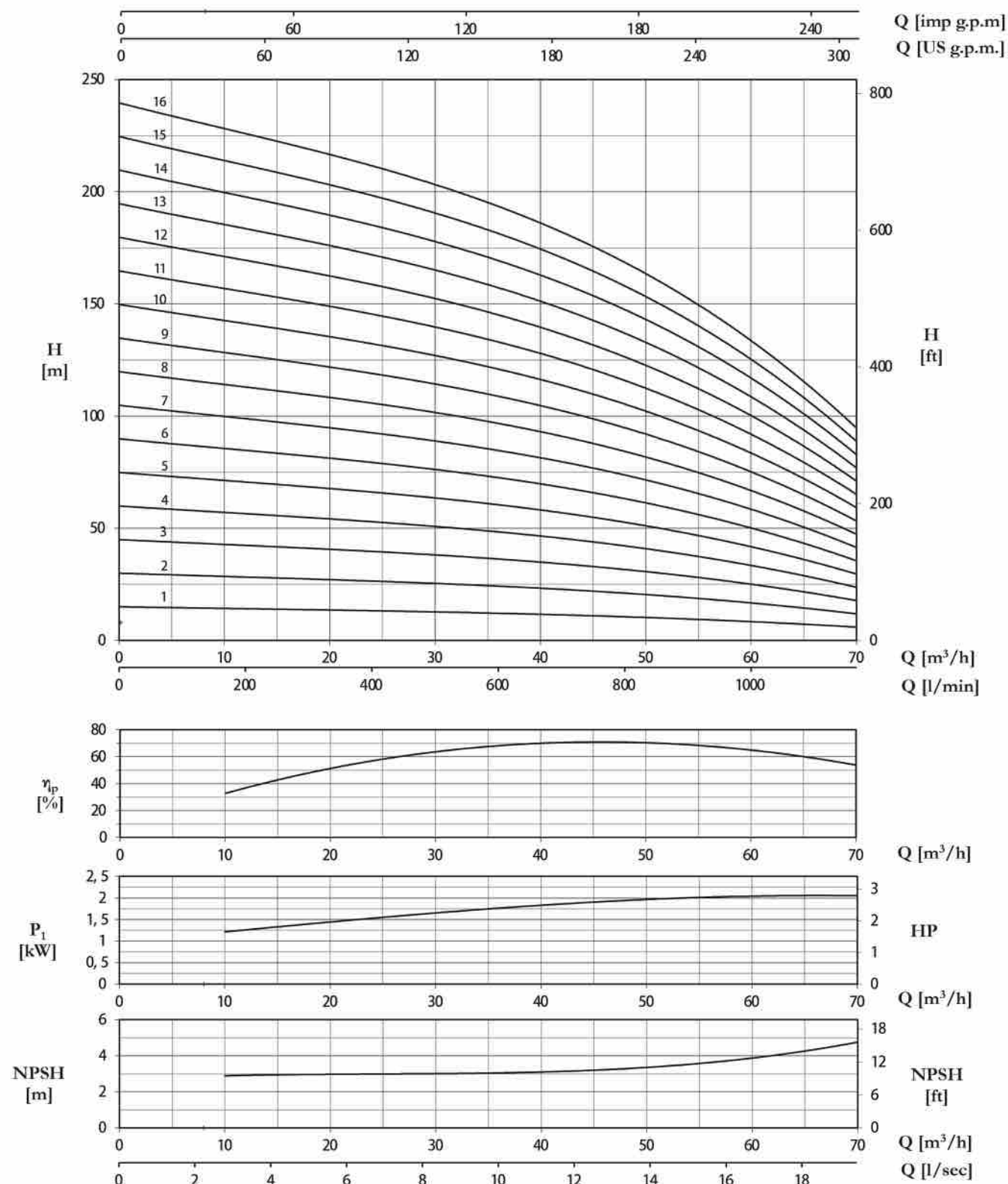
MOTOR 电机		Axis line	Driveunit	Base	Flange discharge	Footvalve	Strainer
kW	Size尺寸	轴径	驱动机组	底座	排放短管	吸水阀	滤网
1,1	80	LA 3/20	E 0/3	B 4/3	DN 100 - PN 25	VF3	SU3
1,5 - 2,2	90						
3	100						
4	112						
5,5 - 7,5	132						
11 - 15 - 18,5	160	LA 3/24	E 2/3				
22	180						
30 - 37	200						

LONG SHAFT DEEP WELL PUMP

VT SERIES / 长轴深井泵
VT系列

VT 6E

2850 r.p.m.



LONG SHAFT DEEP WELL PUMP

VT SERIES / 长轴深井泵
VT系列

VT 8B

2900 r.p.m.

型号/TYPE	kW	Q												
		m³/h	0	30	40	50	60	70	80	85	90			
		l/sec	0	8,33	11,1	13,9	16,67	19,44	22,2	23,6	25			
		l/min	0	500	667	833	1000	1167	1333	1417	1500			
VT 8B / 1L	3	m	20,0	17,3	15,9	14,0	11,3	8,0	4,5					
		kW	1,4	2,3	2,6	2,7	2,7	2,6	2,4					
VT 8B / 1F	4	m	22,9	20,2	19,2	17,5	15,4	12,6	9,2	7,4				
		kW	1,8	2,8	3,1	3,4	3,5	3,4	3,3	3,2				
VT 8B / 1C	5,5	m	25,4	22,8	21,8	20,4	18,6	16,3	13,2	11,6	9,9			
		kW	2,3	3,3	3,7	4,0	4,2	4,3	4,2	4,2	4,1			
VT 8B / 1	5,5	m	27,1	24,5	23,5	22,2	20,5	18,4	15,6	14,1	12,4			
		kW	2,5	3,6	4,0	4,4	4,7	4,8	4,8	4,8	4,7			
VT 8B / 2L	5,5	m	40,0	34,6	31,8	28,0	22,5	16,0	9,0					
		kW	2,8	4,5	5,1	5,4	5,4	5,2	4,7					
VT 8B / 2F	7,5	m	45,8	40,4	38,3	35,0	30,7	25,2	18,4	14,8				
		kW	3,7	5,5	6,2	6,7	7,0	6,9	6,7	6,5				
VT 8B / 2C	11	m	50,8	45,6	43,6	40,8	37,1	32,5	26,4	23,2	19,7			
		kW	4,5	6,6	7,3	8,0	8,5	8,6	8,4	8,3	8,1			
VT 8B / 2	11	m	54,1	49,0	46,9	44,4	41,0	36,8	31,2	28,2	24,8			
		kW	5,1	7,3	8,0	8,8	9,4	9,6	9,6	9,5	9,4			
VT 8B / 3F	11	m	68,7	60,6	57,5	52,5	46,1	37,8	27,6	22,2				
		kW	5,5	8,3	9,4	10,1	10,4	10,3	10,0	9,7				
VT 8B / 3C	15	m	76,2	68,4	65,4	61,2	55,7	48,8	39,6	34,8	29,6			
		kW	6,8	9,8	11,0	12,0	12,7	12,8	12,6	12,5	12,2			
VT 8B / 3	18,5	m	81,2	73,5	70,4	66,6	61,5	55,2	46,8	42,3	37,2			
		kW	7,6	10,9	12,1	13,3	14,1	14,5	14,4	14,3	14,1			
VT 8B / 4F	15	m	91,6	80,8	76,6	70,0	61,4	50,4	36,8	29,6				
		kW	7,3	11,1	12,5	13,5	13,9	13,8	13,3	12,9				
VT 8B / 4C	18,5	m	101,6	91,2	87,2	81,6	74,2	65,0	52,8	46,4	39,4			
		kW	9,0	13,1	14,7	16,0	16,9	17,1	16,8	16,6	16,3			
VT 8B / 4	22	m	108,2	98,0	93,8	88,8	82,0	73,6	62,4	56,4	49,6			
		kW	10,1	14,5	16,1	17,7	18,8	19,3	19,2	19,1	18,8			
VT 8B / 5C	22	m	127,0	114,0	109,0	102,0	92,8	81,3	66,0	58,0	49,3			
		kW	11,3	16,4	18,4	20,1	21,2	21,4	21,1	20,8	20,4			
VT 8B / 5	30	m	135,3	122,5	117,3	111,0	102,5	92,0	78,0	70,5	62,0			
		kW	12,7	18,2	20,1	22,1	23,5	24,1	24,0	23,9	23,5			
VT 8B / 6	30	m	162,3	147,0	140,7	133,2	123,0	110,4	93,6	84,6	74,4			
		kW	15,2	21,8	24,1	26,5	28,1	28,9	28,7	28,6	28,1			
VT 8B / 7	37	m	189,35	171,5	164,15	155,4	143,5	128,8	109,2	98,7	86,8			
		kW	17,71	25,41	28,14	30,94	32,83	33,74	33,53	33,39	32,83			
VT 8B / 8	45	m	216,4	196	187,6	177,6	164	147,2	124,8	112,8	99,2			
		kW	20,24	29,04	32,16	35,36	37,52	38,56	38,32	38,16	37,52			
VT 8B / 9	55	m	243,45	220,5	211,05	199,8	184,5	165,6	140,4	126,9	111,6			
		kW	22,77	32,67	36,18	39,78	42,21	43,38	43,11	42,93	42,21			

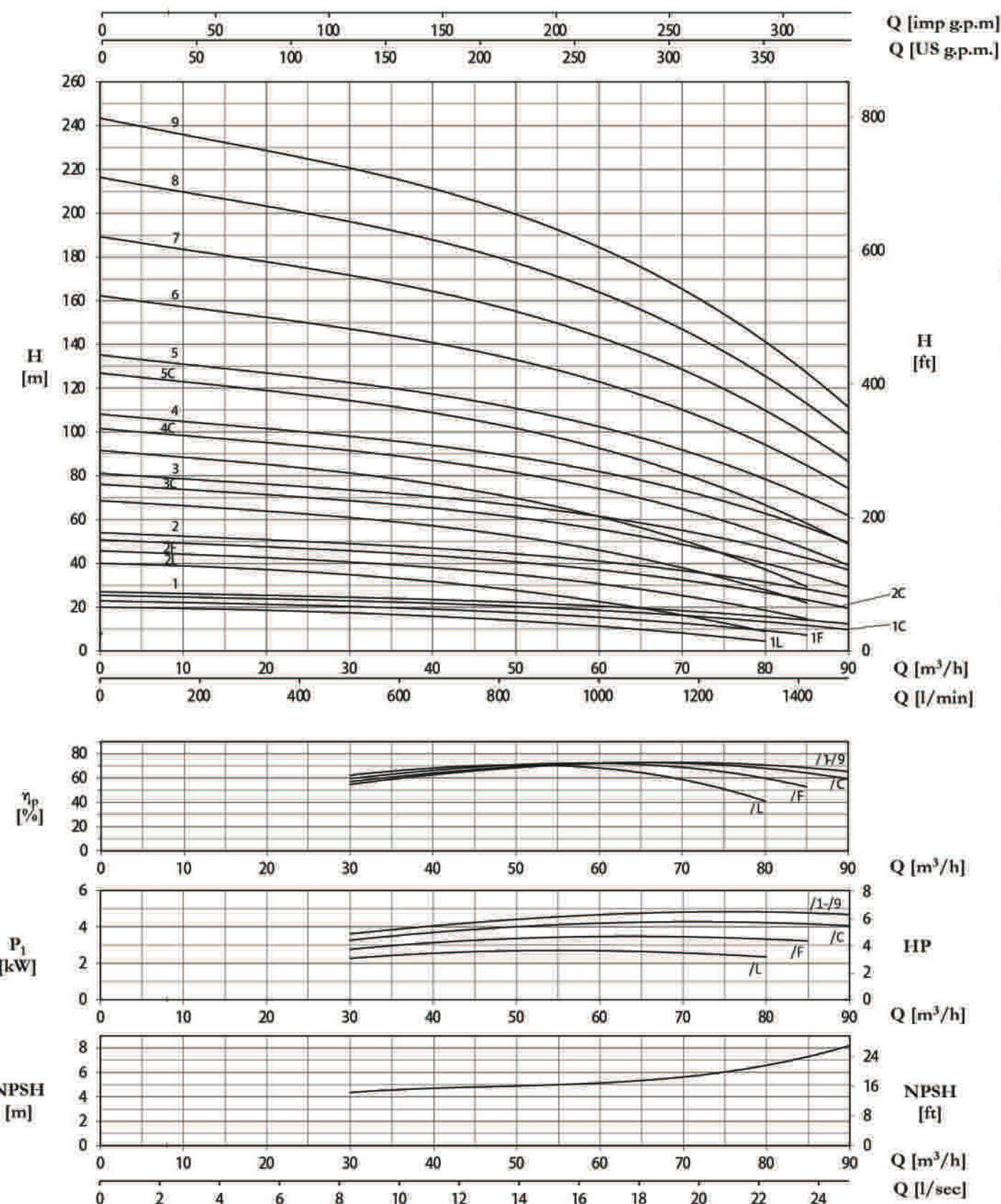
MOTOR 电机		Axis line	Drive unit	Base	Flange discharge	Foot valve	Strainer	
kW	Size 尺寸	轴径	驱动机组	底座	排放短管	取水阀	滤网	
1,5 - 2,2	90	LA 4/20	E 0/4	B 4/4	DN 100 - PN 25	VF4	SU4	
3	100		E 1/4					
4	112		E 2/4					
5,5 - 7,5	132		E 3/4					
11 - 15 - 18,5	160		E 4/4					
22	180		E 5/4					
30 - 37	200		E 6/4					
45	225							
55	250		LA 4/30					E 7/4
75	280							

LONG SHAFT DEEP WELL PUMP

VT SERIES / 长轴深井泵
VT系列

VT 8B

2900 r.p.m.



LONG SHAFT DEEP WELL PUMP

VT SERIES / 长轴深井泵
VT系列

VT 8C

2900 r.p.m.

型号/TYPE	kW	Q									
		m ³ /h	0	40	50	60	70	80	90	100	110
		l/sec	0	11,1	13,89	16,67	19,44	22,2	25	27,78	30,56
		l/min	0	667	833	1000	1167	1333	1500	1667	1833
VT 8C / 1L	4	m	22,3	17,5	16,1	14,3	11,9	9,0	5,6		
		kW	2,3	2,8	3,0	3,1	3,2	3,1	3,0		
VT 8C / 1F	5,5	m	25,5	20,8	19,5	17,9	16,0	13,6	10,9	7,5	
		kW	3,0	3,5	3,7	3,9	4,0	4,1	4,1	3,9	
VT 8C / 1C	5,5	m	28,4	23,8	22,5	21,1	19,4	17,3	14,9	12,1	8,8
		kW	3,7	4,2	4,4	4,7	4,9	5,0	5,0	5,0	4,9
VT 8C / 1	7,5	m	30,2	25,6	24,4	23,0	21,4	19,5	17,2	14,7	11,7
		kW	4,1	4,7	4,9	5,2	5,4	5,6	5,6	5,6	5,6
VT 8C / 2L	7,5	m	44,6	35,0	32,2	28,5	23,7	18,0	11,2		
		kW	4,6	5,7	6,0	6,3	6,3	6,3	6,1		
VT 8C / 2F	11	m	51,0	41,6	39,0	35,7	32,0	27,1	21,7	15,0	
		kW	6,0	7,0	7,5	7,8	8,1	8,2	8,1	7,9	
VT 8C / 2C	11	m	56,8	47,5	44,9	42,1	38,7	34,6	29,7	24,2	17,5
		kW	7,3	8,4	8,9	9,4	9,7	10,0	10,0	10,0	9,7
VT 8C / 2	15	m	60,4	51,2	48,7	45,9	42,7	39,0	34,4	29,4	23,4
		kW	8,2	9,4	9,8	10,4	10,8	11,1	11,2	11,3	11,1
VT 8C / 3F	15	m	76,5	62,4	58,5	53,6	48,0	40,7	32,6	22,5	
		kW	8,9	10,5	11,2	11,8	12,1	12,2	12,2	11,8	
VT 8C / 3C	18,5	m	85,2	71,3	67,4	63,2	58,1	51,9	44,6	36,3	26,3
		kW	11,0	12,6	13,3	14,1	14,6	14,9	15,0	14,9	14,6
VT 8C / 3	18,5	m	90,6	76,8	73,1	68,9	64,1	58,5	51,6	44,1	35,1
		kW	12,4	14,0	14,8	15,6	16,2	16,7	16,9	16,9	16,7
VT 8C / 4F	18,5	m	102,0	83,2	78,0	71,4	64,0	54,2	43,4	30,0	
		kW	11,9	14,0	14,9	15,7	16,2	16,3	16,2	15,8	
VT 8C / 4C	22	m	113,6	95,0	89,8	84,2	77,4	69,2	59,4	48,4	35,0
		kW	14,6	16,8	17,8	18,8	19,5	19,9	20,0	19,9	19,4
VT 8C / 4	30	m	120,8	102,4	97,4	91,8	85,4	78,0	68,8	58,8	46,8
		kW	16,5	18,7	19,7	20,8	21,6	22,3	22,5	22,5	22,3
VT 8C / 5C	30	m	142,0	118,8	112,3	105,3	96,8	86,5	74,3	60,5	43,8
		kW	18,3	21,0	22,2	23,5	24,4	24,9	25,1	24,9	24,3
VT 8C / 5	30	m	151,0	128,0	121,8	114,8	106,8	97,5	86,0	73,5	58,5
		kW	20,6	23,4	24,6	26,0	27,1	27,9	28,1	28,2	27,9
VT 8C / 6	37	m	181,2	153,6	146,1	137,7	128,1	117,0	103,2	88,2	70,2
		kW	24,7	28,1	29,5	31,1	32,5	33,4	33,7	33,8	33,4
VT 8C / 7	45	m	211,4	179,2	170,45	160,65	149,45	136,5	120,4	102,9	81,9
		kW	28,84	32,76	34,44	36,33	37,87	38,99	39,34	39,41	38,99
VT 8C / 8	55	m	241,6	204,8	194,8	183,6	170,8	156	137,6	117,6	93,6
		kW	32,96	37,44	39,36	41,52	43,28	44,56	44,96	45,04	44,56

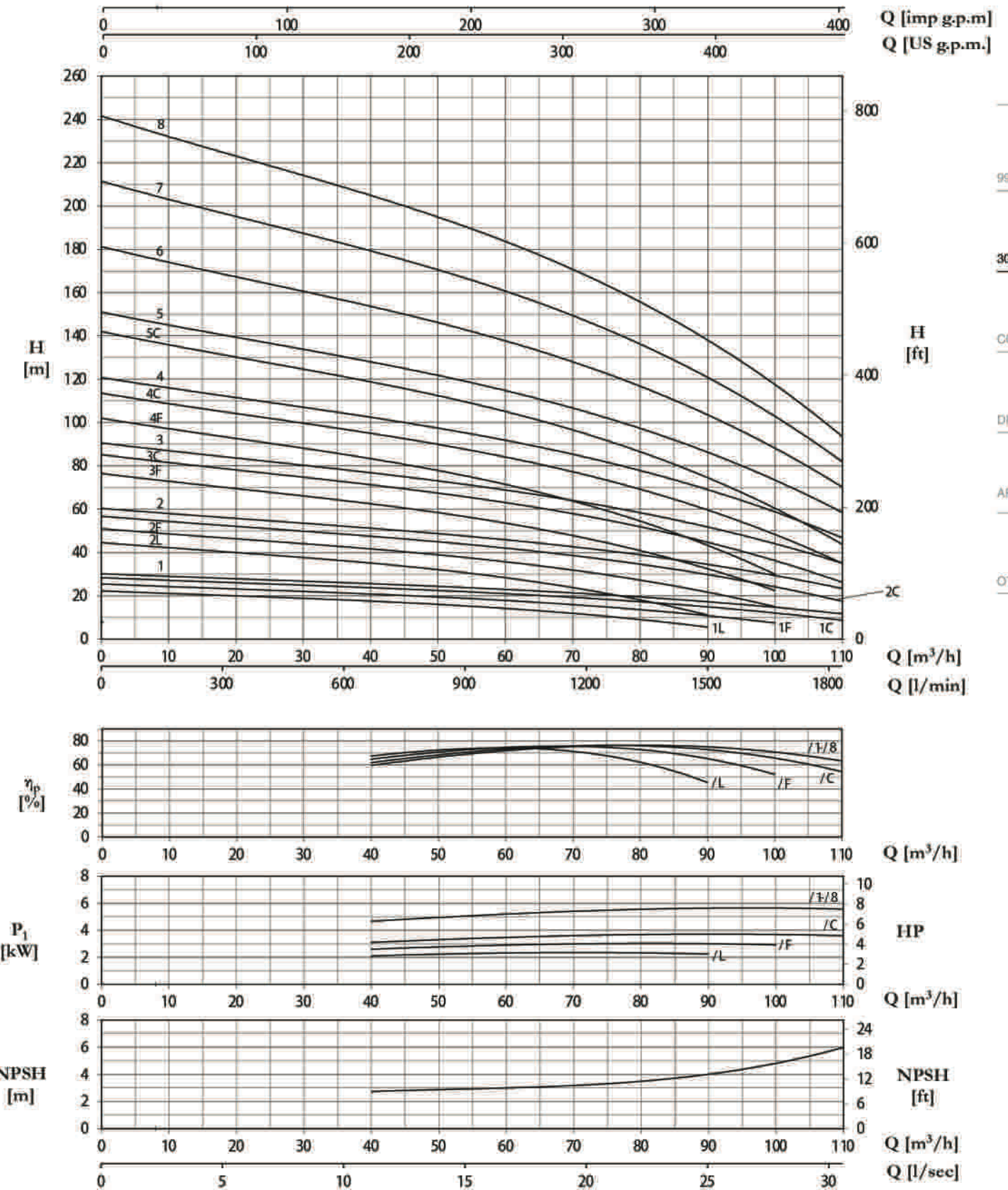
MOTOR 电机		Axis line 轴线	Drive unit 驱动机组	Base 底座	Flange discharge 排放短管	Foot valve 吸水阀	Strainer 滤网
kW	Size 尺寸	LA 4/20	E 0/4	B 4/4	DN 100 - PN 25	VF4	SU4
1,5 - 2,2	90						
3	100						
4	112						
5,5 - 7,5	132						
11 - 15 - 18,5	160						
22	180						
30 - 37	200						
45	225						
55	250						
75	280	LA 4/24	E 5/4				
		LA 4/30	E 7/4				

LONG SHAFT DEEP WELL PUMP

VT SERIES / 长轴深井泵
VT系列

VT 8C

2900 r.p.m.



LONG SHAFT DEEP WELL PUMP

VT SERIES / 长轴深井泵
VT系列

VT 8D

2900 r.p.m.

型号/TYPE	kW	Q									
		m/h	0	40	60	80	100	110	120	130	140
		l/sec	0	11,1	16,67	22,2	27,78	30,56	33,33	36,11	38,89
		l/min	0	667	1000	1333	1667	1833	2000	2167	2333
VT 8D / 1L	4	m	21,1	17,7	15,8	13,3	9,4	6,9	3,3		
		kW	2,8	3,4	3,8	4,1	4,1	3,9	3,6		
VT 8D / 1F	5,5	m	24,3	21,0	19,2	17,1	13,9	12,0	9,6	6,7	
		kW	3,6	4,3	4,7	5,2	5,3	5,3	5,2	5,0	
VT 8D / 1C	7,5	m	26,9	23,6	21,7	19,8	17,3	15,6	13,7	11,4	8,9
		kW	4,4	5,2	5,6	6,1	6,5	6,5	6,5	6,4	6,2
VT 8D / 1	11	m	28,7	25,4	23,5	21,7	19,3	17,7	16,0	14,0	11,6
		kW	4,9	5,7	6,2	6,8	7,2	7,3	7,3	7,3	7,1
VT 8D / 2L	11	m	42,2	35,4	31,6	26,6	18,8	13,7	6,6		
		kW	5,5	6,8	7,6	8,2	8,1	7,8	7,1		
VT 8D / 2F	11	m	48,6	41,9	38,3	34,1	27,8	24,0	19,2	13,4	
		kW	7,2	8,6	9,5	10,4	10,7	10,6	10,4	9,9	
VT 8D / 2C	15	m	53,8	47,1	43,4	39,5	34,6	31,1	27,3	22,7	17,7
		kW	8,8	10,3	11,2	12,2	13,0	13,0	13,0	12,8	12,4
VT 8D / 2C	18,5	m	57,3	50,7	47,0	43,3	38,6	35,4	32,0	28,0	23,2
		kW	9,8	11,5	12,4	13,5	14,4	14,6	14,7	14,5	14,3
VT 8D / 3F	18,5	m	72,9	62,9	57,5	51,2	41,7	36,0	28,8	20,1	
		kW	10,7	12,9	14,2	15,6	16,0	15,9	15,6	14,9	
VT 8D / 3C	22	m	80,7	70,7	65,1	59,3	51,9	46,7	41,0	34,1	26,6
		kW	13,1	15,5	16,8	18,4	19,4	19,6	19,4	19,2	18,6
VT 8D / 3C	30	m	86,0	76,1	70,5	65,0	57,9	53,1	48,0	42,0	34,8
		kW	14,7	17,2	18,6	20,3	21,6	21,9	22,0	21,8	21,4
VT 8D / 4F	22	m	97,2	83,8	76,6	68,2	55,6	48,0	38,4	26,8	
		kW	14,3	17,2	18,9	20,8	21,3	21,2	20,8	19,8	
VT 8D / 4C	30	m	107,6	94,2	86,8	79,0	69,2	62,2	54,6	45,4	35,4
		kW	17,5	20,6	22,4	24,5	25,9	26,1	25,9	25,6	24,8
VT 8D / 4	37	m	114,6	101,4	94,0	86,6	77,2	70,8	64,0	56,0	46,4
		kW	19,6	23,0	24,8	27,0	28,8	29,2	29,3	29,1	28,5
VT 8D / 5C	37	m	134,5	117,8	108,5	98,8	86,5	77,8	68,3	56,8	44,3
		kW	21,9	25,8	28,0	30,6	32,4	32,6	32,4	32,0	31,0
VT 8D / 5	45	m	143,3	126,8	117,5	108,3	96,5	88,5	80,0	70,0	58,0
		kW	24,5	28,7	31,0	33,8	36,1	36,6	36,7	36,4	35,7
VT 8D / 6	55	m	171,9	152,1	141,0	129,9	115,8	106,2	96,0	84,0	69,6
		kW	29,4	34,4	37,2	40,5	43,3	43,9	44,0	43,6	42,8
VT 8D / 7	55	m	200,55	177,45	164,5	151,55	135,1	123,9	112	98	81,2
		kW	34,3	40,18	43,4	47,25	50,47	51,17	51,31	50,89	49,91
VT 8D / 8	75	m	229,2	202,8	188	173,2	154,4	141,6	128	112	92,8
		kW	39,2	45,92	49,6	54	57,68	58,48	58,64	58,16	57,04

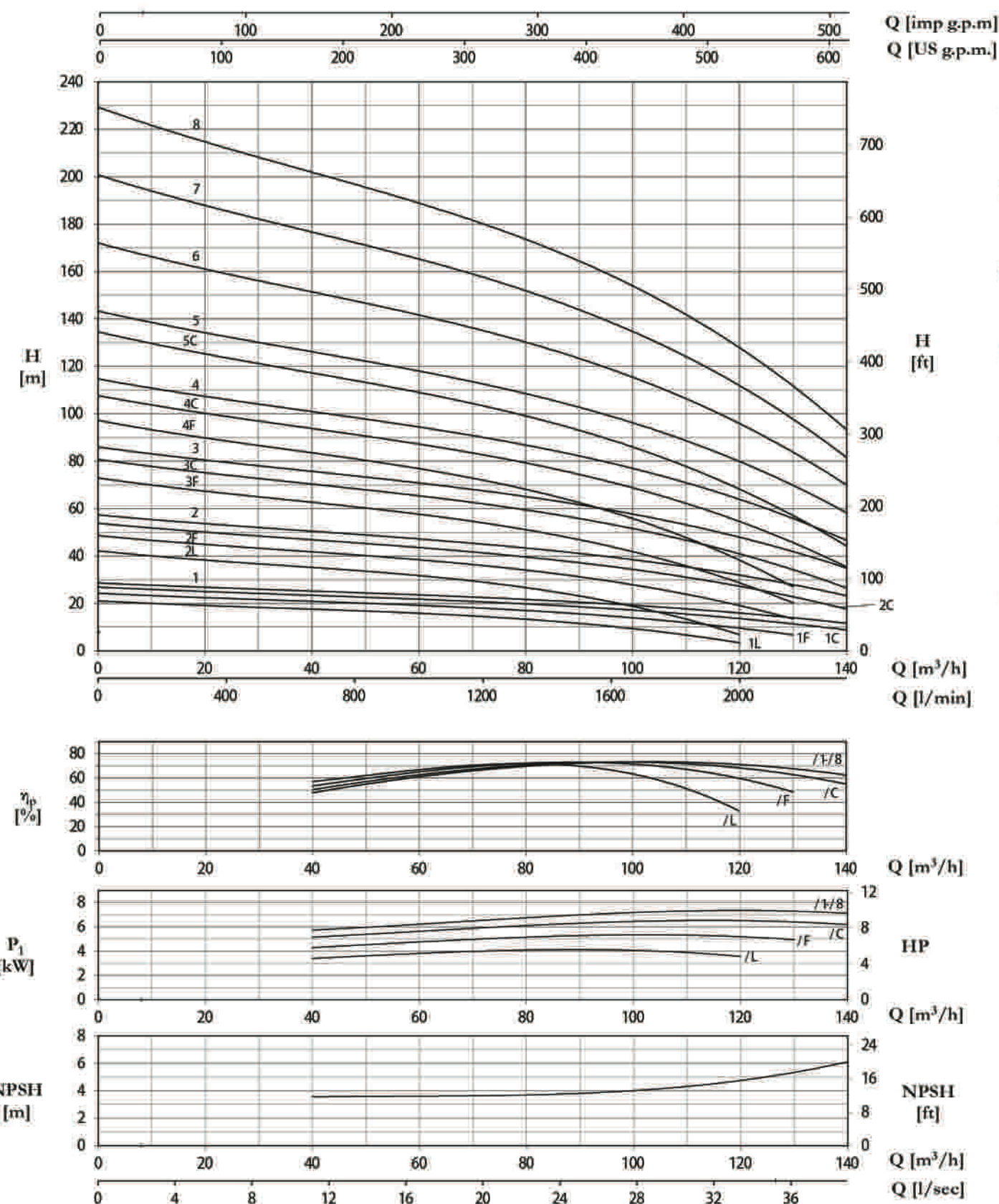
1,5 - 2,2	90	LA 5/20	E 0/5	B 6/5	DN 150 - PN 25	VF5	SUS
3	100		E 1/5				
4	112		E 2/5				
5,5 - 7,5	132		E 3/5				
11 - 15 - 18,5	160	LA 5/24	E 4/5				
22	180		E 5/5				
30 - 37	200		E 6/5				
45	225						
55	250	LA 5/30	E 7/5				
75	280						

LONG SHAFT DEEP WELL PUMP

VT SERIES / 长轴深井泵
VT系列

VT 8D

2900 r.p.m.



LONG SHAFT DEEP WELL PUMP

VT SERIES / 长轴深井泵
VT系列

VT 8E

2900 r.p.m.

型号/TYPE	kW	Q									
		m³/h	0	40	60	80	100	120	140	160	170
		l/sec	0	11,1	16,67	22,2	27,8	33,3	38,9	44,4	47,2
		l/min	0	667	1000	1333	1667	2000	2333	2667	2833
VT 8E / 1L	5,5	m	21,3	18,8	17,6	16,1	14,0	9,5	3,3		
		kW	3,0	3,8	4,3	4,9	5,2	5,2	4,8		
VT 8E / 1F	7,5	m	24,4	21,8	20,7	19,4	17,5	14,8	10,2	3,7	
		kW	3,8	4,7	5,3	5,9	6,4	6,7	6,6	5,4	
VT 8E / 1C	11	m	27,0	24,5	23,4	22,1	20,6	18,4	15,1	10,5	6,9
		kW	4,7	5,7	6,2	6,9	7,6	8,1	8,2	8,1	7,8
VT 8E / 1	11	m	28,7	26,2	25,0	23,8	22,4	20,4	17,7	13,7	11,2
		kW	5,6	6,3	6,9	7,6	8,3	8,9	9,3	9,2	9,1
VT 8E / 2L	11	m	42,6	37,6	35,2	32,2	28,0	19,0	6,6		
		kW	5,9	7,5	8,6	9,7	10,4	10,4	9,5		
VT 8E / 2F	15	m	48,8	43,6	41,4	38,7	35,0	29,5	20,4	7,4	
		kW	7,6	9,4	10,5	11,8	12,9	13,4	13,3	10,7	
VT 8E / 2C	18,5	m	54,0	49,0	46,7	44,2	41,1	36,7	30,2	21,0	13,8
		kW	9,3	11,3	12,4	13,8	15,1	16,2	16,5	16,1	15,6
VT 8E / 2C	22	m	57,4	52,4	50,0	47,6	44,8	40,8	35,4	27,4	22,4
		kW	11,2	12,6	13,7	15,2	16,6	17,9	18,5	18,4	18,1
VT 8E / 3F	22	m	73,2	65,4	62,1	58,1	52,5	44,3	30,6	11,1	
		kW	11,5	14,2	15,8	17,7	19,3	20,2	19,9	16,1	
VT 8E / 3C	30	m	81,0	73,5	70,1	66,3	61,7	55,1	45,3	31,5	20,7
		kW	14,0	17,0	18,6	20,7	22,7	24,2	24,7	24,2	23,4
VT 8E / 3C	30	m	86,1	78,6	75,0	71,4	67,2	61,2	53,1	41,1	33,6
		kW	16,8	18,9	20,6	22,7	25,0	26,8	27,8	27,6	27,2
VT 8E / 4F	30	m	97,6	87,2	82,8	77,4	70,0	59,0	40,8	14,8	
		kW	15,3	18,9	21,0	23,6	25,8	26,9	26,5	21,4	
VT 8E / 4C	37	m	108,0	98,0	93,4	88,4	82,2	73,4	60,4	42,0	27,6
		kW	18,6	22,7	24,8	27,6	30,3	32,3	32,9	32,2	31,2
VT 8E / 4	45	m	114,8	104,8	100,0	95,2	89,6	81,6	70,8	54,8	44,8
		kW	22,4	25,2	27,4	30,3	33,3	35,7	37,0	36,8	36,3
VT 8E / 5C	45	m	135,0	122,5	116,8	110,5	102,8	91,8	75,5	52,5	34,5
		kW	23,3	28,4	31,0	34,6	37,9	40,4	41,2	40,3	39,0
VT 8E / 5	55	m	143,5	131,0	125,0	119,0	112,0	102,0	88,5	68,5	56,0
		kW	28,0	31,5	34,3	37,9	41,6	44,7	46,3	46,0	45,4
VT 8E / 6	75	m	172,2	157,2	150,0	142,8	134,4	122,4	106,2	82,2	67,2
		kW	33,6	37,8	41,2	45,5	49,9	53,6	55,6	55,1	54,4
VT 8E / 7	75	m	200,9	183,4	175	166,6	156,8	142,8	123,9	95,9	78,4
		kW	39,2	44,1	48,02	53,06	58,24	62,51	64,82	64,33	63,49
VT 8E / 8	90	m	229,6	209,6	200	190,4	179,2	163,2	141,6	109,6	89,6
		kW	44,8	50,4	54,88	60,64	66,56	71,44	74,08	73,52	72,56

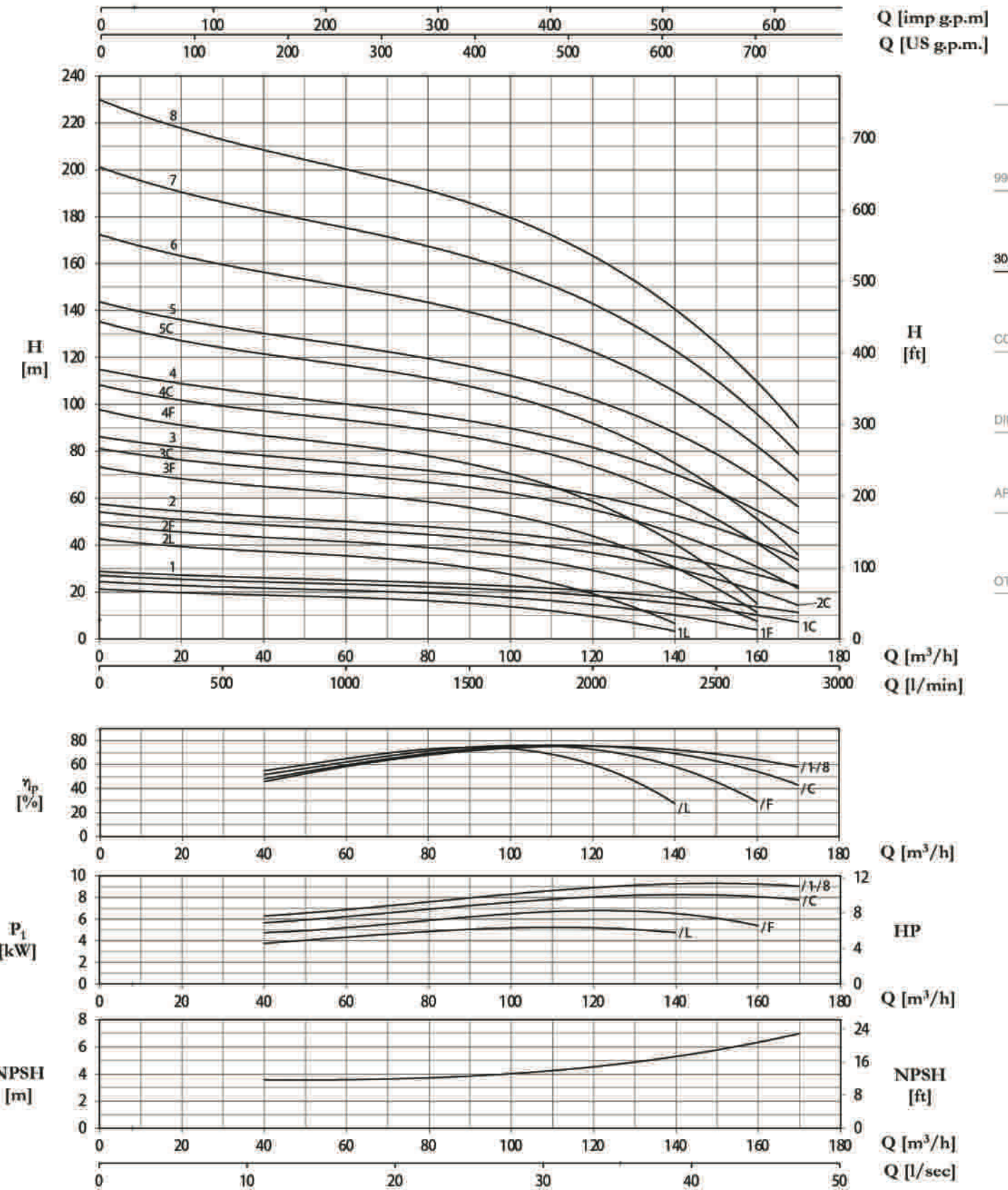
MOTOR 电机		Axis line 轴线	Drive unit 驱动机组	Base 底座	Flange discharge 排放短管	Foot valve 吸水阀	Strainer 滤网
kW	Size 尺寸	LA 5/20	E 0/5 E 1/5 E 2/5 E 3/5 E 4/5 E 5/5 E 6/5	B 6/5	DN 150 - PN 25	VF5	SU5
1,5 - 2,2	90						
3	100						
4	112						
5,5 - 7,5	132						
11 - 15 - 18,5	160						
22	180						
30 - 37	200						
45	225						
55	250						
75	280	LA 5/24	E 6/5				
		LA 5/30	E 7/5				

LONG SHAFT DEEP WELL PUMP

VT SERIES / 长轴深井泵
VT系列

VT 8E

2900 r.p.m.



LONG SHAFT DEEP WELL PUMP

VT SERIES / 长轴深井泵
VT系列

VT 8F

2900 r.p.m.

型号/TYPE	kW	Q										
		m³/h	0	40	80	120	140	160	180	200	220	
		l/sec	0	11,1	22,2	33,3	38,9	44,4	50	55,6	61,1	
		l/min	0	667	1333	2000	2333	2667	3000	3333	3666	
VT 8F / 1L	4	m	20,3	18,4	15,7	11,9	9,2	5,7	1,4			
		kW	4,1	4,6	5,1	5,4	5,3	5,0	3,4			
VT 8F / 1F	7,5	m	23,3	21,5	18,9	15,7	13,5	10,7	7,3	3,2		
		kW	5,2	5,8	6,5	7,0	7,0	6,9	6,7	5,2		
VT 8F / 1C	7,5	m	25,9	24,2	21,6	18,7	16,7	14,4	11,5	8,2	4,0	
		kW	6,4	7,2	7,8	8,4	8,5	8,5	8,4	8,1	6,6	
VT 8F / 1	11	m	27,5	25,7	23,3	20,4	18,6	16,6	13,9	10,8	7,1	
		kW	7,2	7,9	8,6	9,3	9,5	9,6	9,6	9,4	8,8	
VT 8F / 2L	7,5	m	40,5	36,7	31,3	23,8	18,4	11,4	2,8			
		kW	8,1	9,1	10,3	10,7	10,6	10,0	6,8			
VT 8F / 2F	15	m	46,6	42,9	37,8	31,3	26,9	21,4	14,6	6,4		
		kW	10,4	11,6	12,9	13,9	14,0	13,8	13,3	10,3		
VT 8F / 2C	15	m	51,8	48,4	43,2	37,4	33,4	28,7	23,0	16,3	8,0	
		kW	12,8	14,4	15,5	16,7	17,0	17,1	16,9	16,1	13,1	
VT 8F / 2C	22	m	55,0	51,4	46,6	40,8	37,2	33,1	27,7	21,5	14,2	
		kW	14,4	15,8	17,2	18,6	19,0	19,2	19,1	18,7	17,5	
VT 8F / 3F	22	m	69,9	64,4	56,7	47,0	40,4	32,1	21,9	9,6		
		kW	15,7	17,5	19,4	20,9	21,0	20,7	20,0	15,5		
VT 8F / 3C	22	m	77,7	72,6	64,8	56,1	50,1	43,1	34,5	24,5	12,0	
		kW	19,2	21,6	23,3	25,1	25,6	25,6	25,3	24,2	19,7	
VT 8F / 3C	30	m	82,5	77,1	69,9	61,2	55,8	49,7	41,6	32,3	21,3	
		kW	21,6	23,6	25,9	28,0	28,6	28,8	28,7	28,1	26,3	
VT 8F / 4F	30	m	93,2	85,8	75,6	62,6	53,8	42,8	29,2	12,8		
		kW	20,9	23,3	25,9	27,8	28,0	27,6	26,6	20,6		
VT 8F / 4C	30	m	103,6	96,8	86,4	74,8	66,8	57,4	46,0	32,6	16,0	
		kW	25,6	28,8	31,1	33,5	34,1	34,2	33,7	32,2	26,2	
VT 8F / 4	45	m	110,0	102,8	93,2	81,6	74,4	66,2	55,4	43,0	28,4	
		kW	28,8	31,5	34,5	37,3	38,1	38,4	38,2	37,4	35,0	
VT 8F / 5C	37	m	129,5	121,0	108,0	93,5	83,5	71,8	57,5	40,8	20,0	
		kW	32,0	36,0	38,9	41,9	42,6	42,7	42,2	40,3	32,8	
VT 8F / 5	55	m	137,5	128,5	116,5	102,0	93,0	82,8	69,3	53,8	35,5	
		kW	36,0	39,4	43,1	46,6	47,6	48,0	47,8	46,8	43,8	
VT 8F / 6	75	m	165,0	154,2	139,8	122,4	111,6	99,3	83,1	64,5	42,6	
		kW	43,2	47,3	51,7	55,9	57,1	57,6	57,3	56,1	52,5	
VT 8F / 7	75	m	192,5	179,9	163,1	142,8	130,2	115,85	96,95	75,25	49,7	
		kW	50,4	55,16	60,34	65,24	66,64	67,2	66,85	65,45	61,25	

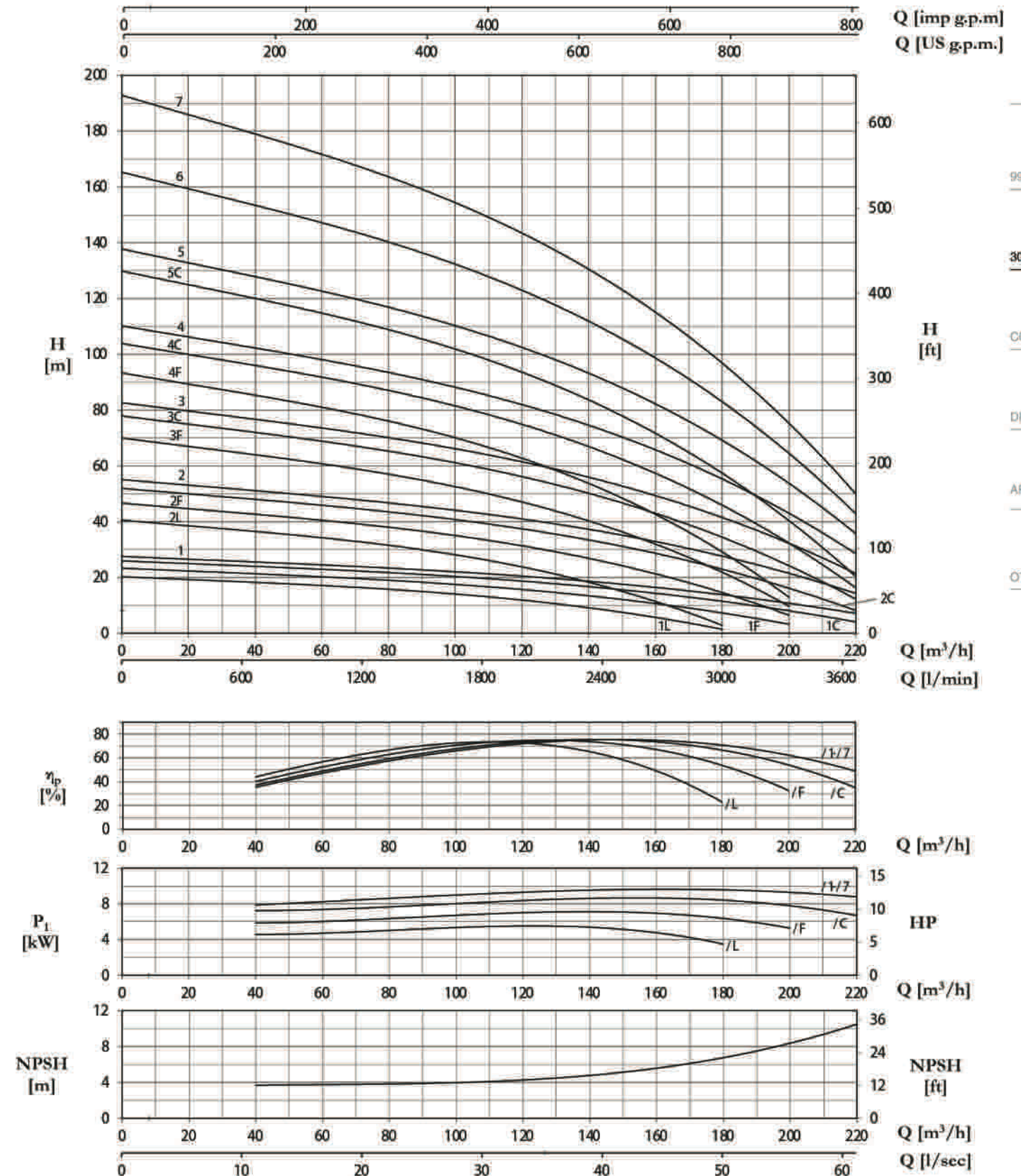
MOTOR 电机		Axis line 轴核	Drive unit 驱动机组	Base 底座	Flange discharge 排放短管	Foot valve 吸水阀	Strainer 滤网
kW	Size 尺寸	LA 5/20	E 0/5	B 6/5	DN 150 - PN 25	VF5	SU5
1,5 - 2,2	90						
3	100						
4	112						
5,5 - 7,5	132						
11 - 15 - 18,5	160						
22	180	LA 5/24	E 3/5				
30 - 37	200		E 4/5				
45	225		E 5/5				
55	250	LA 5/30	E 6/5				
75	280		E 7/5				

LONG SHAFT DEEP WELL PUMP

VT SERIES / 长轴深井泵
VT系列

VT 8F

2900 r.p.m.



LONG SHAFT DEEP WELL PUMP

VT SERIES / 长轴深井泵
VT系列

VT 8RNB

2900 r.p.m.

型号/TYPE	kW	Q										
		m³/h	0	6	12	18	24	30	36	42	48	54
		l/sec	0	1,7	3,3	5,0	6,7	8,3	10,0	11,7	13,3	15,0
		l/min	0	100	200	300	400	500	600	700	800	900
VT 8RNB / 2	5,5	m	43,3	42,4	41,4	39,9	38,0	35,5	32,2	28,0	22,8	16,4
		kW	2,0	2,5	3,0	3,5	3,9	4,2	4,4	4,5	4,5	4,3
VT 8RNB / 3	7,5	m	65,0	63,7	62,0	59,9	57,0	53,3	48,3	42,1	34,2	24,6
		kW	3,0	3,8	4,5	5,2	5,8	6,3	6,6	6,8	6,7	6,4
VT 8RNB / 4	11	m	86,6	84,9	82,7	79,9	76,1	71,0	64,4	56,1	45,6	32,8
		kW	4,0	5,0	6,0	7,0	7,8	8,4	8,9	9,1	9,0	8,6
VT 8RNB / 5	15	m	108,3	106,1	103,4	99,8	95,1	88,8	80,6	70,1	57,0	41,0
		kW	5,0	6,3	7,5	8,7	9,7	10,5	11,1	11,3	11,2	10,7
VT 8RNB / 6	15	m	130,0	127,3	124,1	119,8	114,1	106,5	96,7	84,1	68,4	49,2
		kW	6,0	7,6	9,0	10,4	11,6	12,6	13,3	13,6	13,5	12,9
VT 8RNB / 7	18,5	m	151,6	148,5	144,8	139,8	133,1	124,3	112,8	98,1	79,8	57,4
		kW	7,0	8,8	10,6	12,2	13,6	14,7	15,5	15,9	15,7	15,0
VT 8RNB / 8	22	m	173,3	169,8	165,4	159,7	152,1	142,0	128,9	112,1	91,2	65,6
		kW	8,1	10,1	12,1	13,9	15,5	16,8	17,7	18,1	18,0	17,2
VT 8RNB / 9	22	m	195,0	191,0	186,1	179,7	171,1	159,8	145,0	126,2	102,6	73,8
		kW	9,1	11,3	13,6	15,6	17,5	18,9	19,9	20,4	20,2	19,3
VT 8RNB / 10	30	m	216,6	212,2	206,8	199,7	190,2	177,5	161,1	140,2	114,0	82,0
		kW	10,1	12,6	15,1	17,4	19,4	21,0	22,1	22,7	22,5	21,5
VT 8RNB / 11	30	m	238,3	233,4	227,5	219,7	209,2	195,3	177,2	154,2	125,5	90,2
		kW	11,1	13,9	16,6	19,1	21,3	23,1	24,4	24,9	24,7	23,6
VT 8RNB / 12	30	m	259,9	254,7	248,2	239,6	228,2	213,1	193,3	168,2	136,9	98,4
		kW	12,1	15,1	18,1	20,9	23,3	25,2	26,6	27,2	27,0	25,8
VT 8RNB / 13	37	m	281,6	275,9	268,8	259,6	247,2	230,8	209,5	182,2	148,3	106,6
		kW	13,1	16,4	19,6	22,6	25,2	27,3	28,8	29,5	29,2	27,9
VT 8RNB / 14	37	m	303,3	297,1	289,5	279,6	266,2	248,6	225,6	196,3	159,7	114,8
		kW	14,1	17,6	21,1	24,3	27,1	29,4	31,0	31,7	31,5	30,0
VT 8RNB / 15	37	m	324,9	318,3	310,2	299,5	285,2	266,3	241,7	210,3	171,1	123,0
		kW	15,1	18,9	22,6	26,1	29,1	31,5	33,2	34,0	33,7	32,2
VT 8RNB / 16	45	m	346,6	339,5	330,9	319,5	304,3	284,1	257,8	224,3	182,5	131,2
		kW	16,1	20,2	24,1	27,8	31,0	33,6	35,4	36,3	36,0	34,3
VT 8RNB / 18	45	m	389,9	382,0	372,2	359,4	342,3	319,6	290,0	252,3	205,3	147,6
		kW	18,1	22,7	27,1	31,3	34,9	37,8	39,9	40,8	40,4	38,6

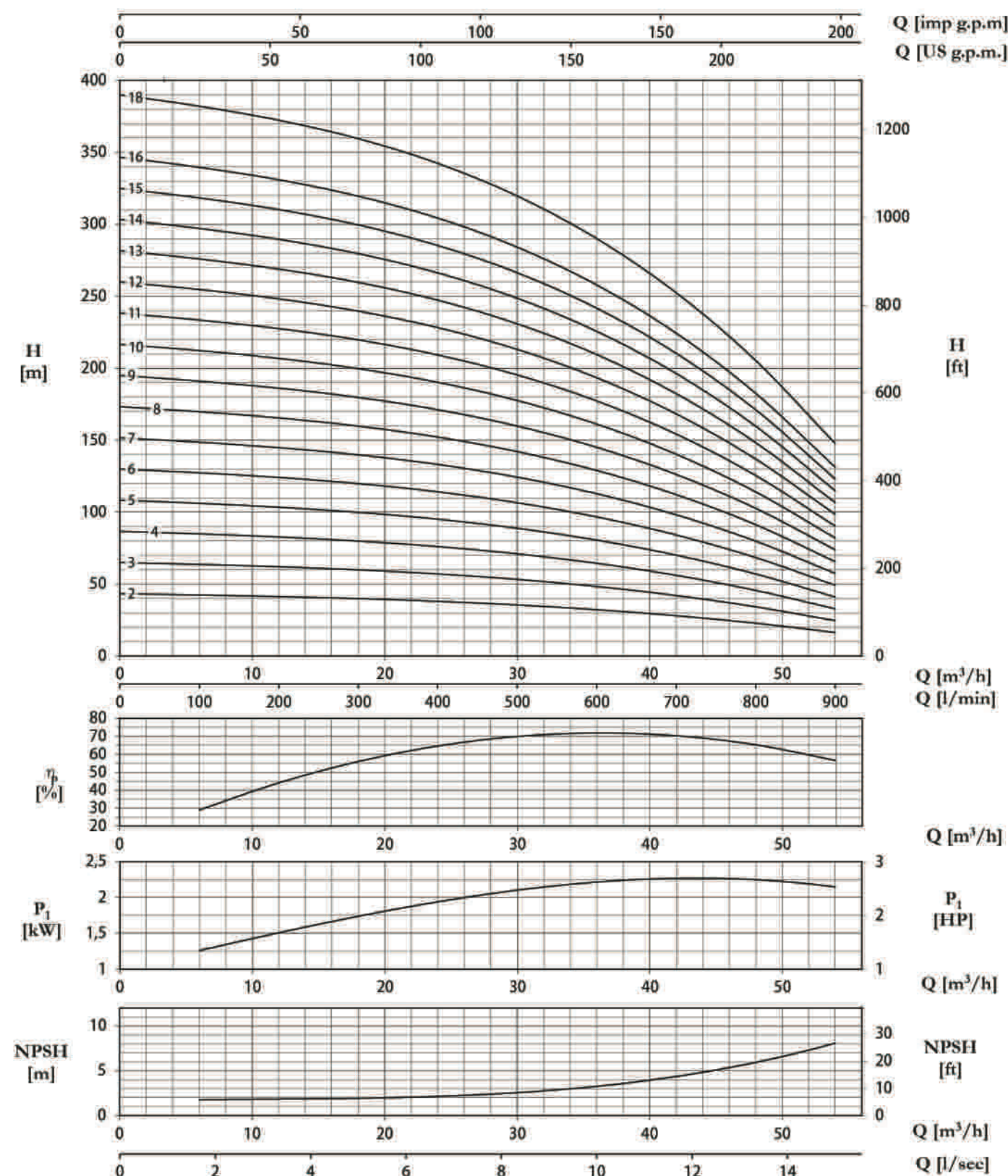
MOTOR 电机		Axis line 轴线	Drive unit 驱动机组	Base 基座	Flange discharge 排放短管	Foot valve 吸水阀	Strainer 滤网
kW	Size 尺寸						
5,5 - 7,5	132	LA 4/20	E 2/4	B 4/4	DN 100 - PN 25	VF4	SU4
11 - 15 - 18,5	160		E 3/4				
22	180		E 4/4				
30 - 37	200	LA 4/24	E 5/4				
45	225		E 6/4				
55	250						
75	280	LA 4/30	E 7/4				

LONG SHAFT DEEP WELL PUMP

VT SERIES / 长轴深井泵
VT系列

VT 8RNB

2900 r.p.m.



请注意: 适用于: ρ=1(kg/dm³)粘度<20 mm²/sec) - 保证值符合 ISO9906, Grade 2 - 水头基于 SG = 1

LONG SHAFT DEEP WELL PUMP

VT SERIES / 长轴深井泵 VT系列

VT 8RNC

2900 r.p.m.

类型/TYPE	kW	Q										
		m ³ /h	0	9	18	24	33	42	51	57	66	75
		l/sec	0	2,5	5,0	6,7	9,2	11,7	14,2	15,8	18,3	20,8
		l/min	0	150	300	400	550	700	850	950	1100	1250
VT 8RNC / 2	7,5	m	49,6	47,4	45,3	43,7	41,0	37,7	33,4	30,0	23,8	16,1
		kW	3,5	4,2	4,9	5,2	5,8	6,1	6,4	6,4	6,4	6,2
VT 8RNC / 3	11	m	74,3	71,1	67,9	65,6	61,5	56,5	50,2	45,0	35,7	24,2
		kW	5,2	6,3	7,3	7,9	8,6	9,2	9,6	9,7	9,6	9,2
VT 8RNC / 4	15	m	99,1	94,9	90,6	87,4	82,0	75,3	66,9	60,1	47,7	32,3
		kW	7,0	8,4	9,7	10,5	11,5	12,3	12,8	12,9	12,8	12,3
VT 8RNC / 5	18,5	m	123,9	118,6	113,2	109,3	102,5	94,2	83,6	75,1	59,6	40,3
		kW	8,7	10,5	12,1	13,1	14,4	15,3	15,9	16,1	16,0	15,4
VT 8RNC / 6	22	m	148,7	142,3	135,8	131,2	123,0	113,0	100,3	90,1	71,5	48,4
		kW	10,4	12,6	14,6	15,7	17,3	18,4	19,1	19,3	19,2	18,5
VT 8RNC / 7	30	m	173,5	166,0	158,5	153,0	143,6	131,8	117,1	105,1	83,4	56,5
		kW	12,2	14,7	17,0	18,4	20,1	21,5	22,3	22,6	22,4	21,6
VT 8RNC / 8	30	m	198,2	189,7	181,1	174,9	164,1	150,7	133,8	120,1	95,3	64,5
		kW	13,9	16,8	19,4	21,0	23,0	24,5	25,5	25,8	25,6	24,7
VT 8RNC / 9	30	m	223,0	213,4	203,8	196,7	184,6	169,5	150,5	135,1	107,2	72,6
		kW	15,7	18,9	21,9	23,6	25,9	27,6	28,7	29,0	28,8	27,7
VT 8RNC / 10	37	m	247,8	237,2	226,4	218,6	205,1	188,3	167,2	150,1	119,1	80,6
		kW	17,4	21,0	24,3	26,2	28,8	30,7	31,9	32,2	32,0	30,8
VT 8RNC / 11	37	m	272,6	260,9	249,0	240,5	225,6	207,2	184,0	165,2	131,1	88,7
		kW	19,1	23,1	26,7	28,9	31,6	33,7	35,1	35,5	35,2	33,9
VT 8RNC / 12	45	m	297,4	284,6	271,7	262,3	246,1	226,0	200,7	180,2	143,0	96,8
		kW	20,9	25,2	29,1	31,5	34,5	36,8	38,3	38,7	38,4	37,0
VT 8RNC / 13	45	m	322,1	308,3	294,3	284,2	266,6	244,8	217,4	195,2	154,9	104,8
		kW	22,6	27,3	31,6	34,1	37,4	39,9	41,5	41,9	41,6	40,1
VT 8RNC / 15	45	m	371,7	355,7	339,6	327,9	307,6	282,5	250,8	225,2	178,7	121,0
		kW	26,1	31,5	36,4	39,4	43,1	46,0	47,8	48,4	48,0	46,2
VT 8RNC / 17	55	m	421,3	403,2	384,9	371,6	348,6	320,2	284,3	255,2	202,5	137,1
		kW	29,6	35,7	41,3	44,6	48,9	52,2	54,2	54,8	54,5	52,4

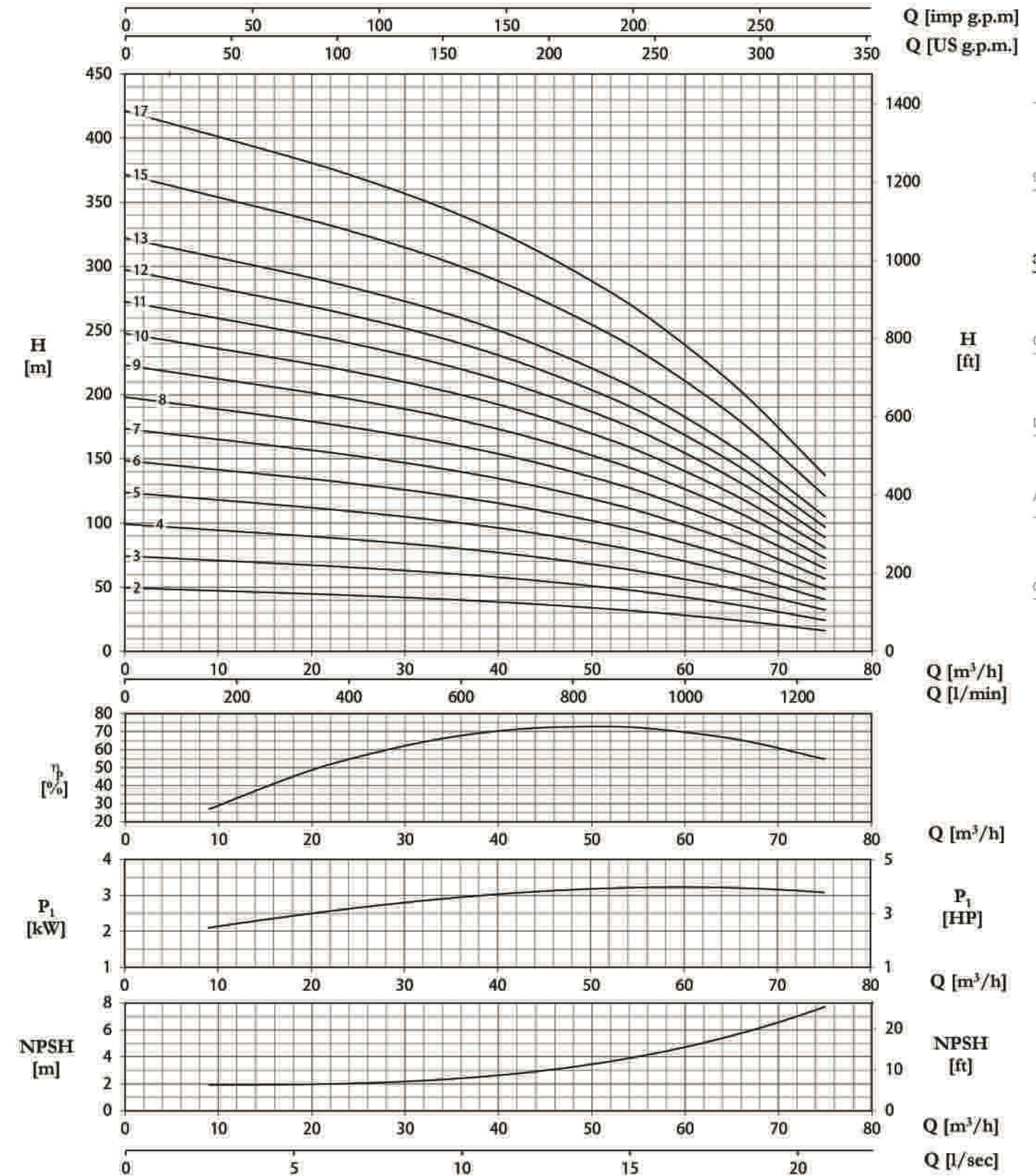
MOTOR电机		Axis line 轴径	Driveunit 驱动机组	Base 底座	Flange discharge 排放短管	Foot valve 吸水阀	Strainer 滤网
kW	Size尺寸						
5,5 - 7,5	132		E 2/4	B 4/4	DN 100 - PN 25	VF4	SU4
11 - 15 - 18,5	160	LA 4/20	E 3/4				
22	180		E 4/4				
30 - 37	200		E 5/4				
45	225	LA 4/24	E 6/4				
55	250						
75	280	LA 4/30	E 7/4				

LONG SHAFT DEEP WELL PUMP

VT SERIES / 长轴深井泵 VT系列

VT 8RNC

2900 r.p.m.



请注意: 适用于: ρ=1(kg/dm³)粘度<20 mm²/sec) - 保证值符合 ISO9906, Grade 2 - 水头基于 3G = 1

LONG SHAFT DEEP WELL PUMP

VT SERIES / 长轴深井泵
VT系列

VT 10A

2975 r.p.m.

型号/TYPE	kW	Q											
		m³/h	0	24	51	75	99	126	150	174	201	225	
		l/sec	0	6,7	14,2	20,8	27,5	35,0	41,7	48,3	55,8	62,5	
		l/min	0	400	850	1250	1650	2100	2500	2900	3350	3750	
VT 10A / 1L	15	m	38,0	36,2	34,4	32,7	30,8	28,0	24,7	--	--	--	
		kW	9,4	9,7	10,4	11,2	12,0	12,9	13,4	--	--	--	
VT 10A / 1F	18,5	m	43,4	41,5	39,7	38,1	36,3	33,9	31,2	27,7	--	--	
		kW	12,1	12,4	13,1	13,9	14,9	16,0	16,7	17,3	--	--	
VT 10A / 1C	22	m	48,3	46,5	44,6	43,0	41,4	39,2	36,8	33,8	29,7	--	
		kW	14,8	15,1	15,9	16,8	17,8	19,0	20,0	20,8	21,3	--	
VT 10A / 1	30	m	51,4	49,5	47,7	46,1	44,5	42,4	40,2	37,5	33,7	29,5	
		kW	16,8	17,1	17,8	18,8	19,8	21,1	22,2	23,1	23,9	24,2	
VT 10A / 2L	30	m	76,0	72,3	68,7	65,5	61,6	56,0	49,4	--	--	--	
		kW	18,8	19,3	20,7	22,3	24,1	25,8	26,8	--	--	--	
VT 10A / 2F	37	m	86,7	83,0	79,4	76,2	72,7	67,9	62,4	55,4	--	--	
		kW	24,2	24,7	26,1	27,9	29,8	31,9	33,5	34,5	--	--	
VT 10A / 2C	45	m	96,6	92,9	89,2	86,1	82,7	78,3	73,6	67,7	59,3	--	
		kW	29,7	30,2	31,7	33,5	35,6	38,0	39,9	41,5	42,6	--	
VT 10A / 2	55	m	102,8	99,1	95,4	92,2	88,9	84,8	80,3	75,0	67,4	59,1	
		kW	33,6	34,2	35,7	37,5	39,7	42,2	44,4	46,3	47,8	48,4	
VT 10A / 3F	55	m	130,1	124,5	119,1	114,3	109,0	101,8	93,6	83,1	--	--	
		kW	36,2	37,1	39,2	41,8	44,7	47,9	50,2	51,8	--	--	
VT 10A / 3C	75	m	145,0	139,4	133,8	129,1	124,1	117,5	110,4	101,5	89,0	--	
		kW	44,5	45,4	47,6	50,3	53,4	57,0	59,9	62,3	63,9	--	
VT 10A / 3	75	m	154,3	148,6	143,1	138,3	133,4	127,2	120,5	112,4	101,1	88,6	
		kW	50,4	51,3	53,5	56,3	59,5	63,4	66,6	69,4	71,7	72,7	
VT 10A / 4F	75	m	173,5	166,1	158,8	152,4	145,4	135,7	124,8	110,8	--	--	
		kW	48,3	49,4	52,3	55,8	59,6	63,8	67,0	69,1	--	--	
VT 10A / 4C	90	m	193,3	185,8	178,4	172,1	165,4	156,7	147,2	135,4	118,7	--	
		kW	59,3	60,5	63,4	67,0	71,2	76,0	79,9	83,0	85,2	--	
VT 10A / 4	110	m	205,7	198,2	190,7	184,4	177,9	169,6	160,7	149,9	134,8	118,2	
		kW	67,2	68,4	71,3	75,1	79,4	84,5	88,8	92,6	95,6	96,9	
VT 10A / 5E	110	m	226,6	217,3	208,1	200,2	191,6	180,1	167,2	150,9	--	--	
		kW	65,7	67,1	70,7	75,1	80,1	85,6	90,0	93,2	--	--	
VT 10A / 5C	110	m	241,6	232,3	223,0	215,2	206,8	195,9	184,0	169,2	148,3	--	
		kW	74,2	75,6	79,3	83,8	89,0	94,9	99,8	103,8	106,5	--	
VT 10A / 5	132	m	257,1	247,7	238,4	230,6	222,4	211,9	200,9	187,4	168,5	147,7	
		kW	84,0	85,4	89,2	93,8	99,2	105,6	111,1	115,7	119,5	121,1	

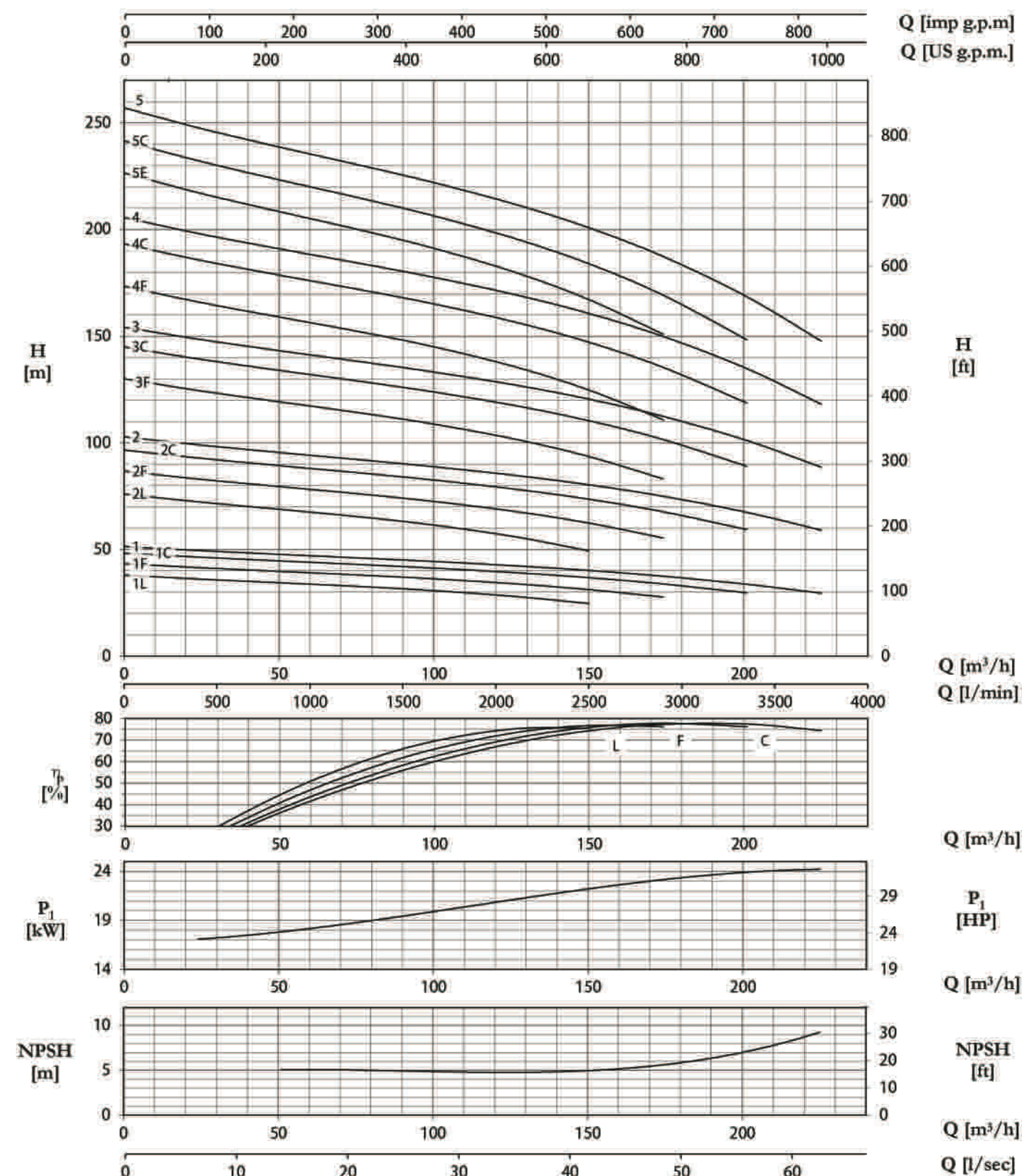
MOTOR 电机		Axis line 轴径	Drive unit 驱动机组	Base 底座	Flange discharge 排放短管	Foot valve 吸水阀	Strainer 滤网
kW	Size 尺寸	LA 6/24	E 3/6	B 6/6	DN 150 - PN 25	VF6	SU6
15 - 18,5	160		E 4/6				
22	180		E 5/6				
30 - 37	200		E 6/6				
45	225						
55	250	LA 6/30	E 7/6				
75 - 90	280	LA 6/35	E 8/6				
110 - 132 - 160	315	LA 8/40	E 8/8	B 8/8	DN 200 - PN 25		
200							

LONG SHAFT DEEP WELL PUMP

VT SERIES / 长轴深井泵
VT系列

VT 10A

2975 r.p.m.



请注意: 适用于: $\rho=1(\text{kg/dm}^3)$ 粘度 $\leq 20 \text{ mm}^2/\text{sec}$ - 保证值符合 ISO9906, Grade 2 - 水头基于 $SG=1$

LONG SHAFT DEEP WELL PUMP

VT SERIES / 长轴深井泵
VT系列

VT 10B

2975 r.p.m.

型号/TYPE	kW	Q											
		m³/h	0	30	63	93	123	156	186	216	249	279	
		l/sec	0	8,3	17,5	25,8	34,2	43,3	51,7	60,0	69,2	77,5	
		l/min	0	500	1050	1550	2050	2600	3100	3600	4150	4650	
VT 10B / 1L	15	m	36,2	34,0	32,3	30,8	28,9	25,8	21,4	--	--	--	
		kW	11,4	11,3	11,9	12,8	13,7	14,5	14,7	--	--	--	
VT 10B / 1F	22	m	41,4	39,1	37,3	35,9	34,3	31,8	28,5	23,8	--	--	
		kW	14,6	14,5	15,0	16,0	17,0	18,1	18,8	18,9	--	--	
VT 10B / 1C	30	m	45,9	43,6	41,8	40,3	38,8	36,7	34,0	30,3	24,7	--	
		kW	17,8	17,6	18,1	19,1	20,2	21,5	22,5	23,0	22,9	--	
VT 10B / 1	30	m	48,9	46,6	44,7	43,2	41,7	39,8	37,4	34,1	29,3	23,3	
		kW	20,2	20,0	20,5	21,4	22,6	24,0	25,1	25,9	26,2	25,6	
VT 10B / 2L	30	m	72,5	68,1	64,6	61,7	57,9	51,6	42,8	--	--	--	
		kW	22,7	22,6	23,7	25,5	27,4	29,0	29,4	--	--	--	
VT 10B / 2F	45	m	82,8	78,3	74,7	71,8	68,5	63,6	57,0	47,7	--	--	
		kW	29,3	29,0	30,1	31,9	34,1	36,3	37,6	37,8	--	--	
VT 10B / 2C	55	m	91,8	87,2	83,5	80,6	77,6	73,4	68,0	60,6	49,3	--	
		kW	35,7	35,2	36,3	38,1	40,4	43,0	44,9	46,0	45,8	--	
VT 10B / 2	55	m	97,8	93,2	89,3	86,4	83,5	79,6	74,8	68,3	58,5	46,7	
		kW	40,4	39,9	40,9	42,8	45,2	47,9	50,2	51,8	52,3	51,3	
VT 10B / 3F	75	m	124,2	117,4	112,0	107,7	102,8	95,4	85,5	71,5	--	--	
		kW	43,9	43,5	45,1	47,9	51,1	54,4	56,4	56,8	--	--	
VT 10B / 3C	75	m	137,7	130,9	125,3	121,0	116,4	110,0	102,0	90,9	74,0	--	
		kW	53,5	52,9	54,4	57,2	60,6	64,5	67,4	69,1	68,8	--	
VT 10B / 3	90	m	146,7	139,7	134,0	129,7	125,2	119,4	112,2	102,4	87,8	70,0	
		kW	60,6	59,9	61,4	64,2	67,7	71,9	75,3	77,7	78,5	76,9	
VT 10B / 4F	90	m	165,5	156,5	149,4	143,6	137,1	127,2	114,0	95,4	--	--	
		kW	58,6	58,0	60,2	63,9	68,2	72,6	75,2	75,7	--	--	
VT 10B / 4C	110	m	183,6	174,5	167,0	161,3	155,2	146,7	136,0	121,2	98,6	--	
		kW	71,3	70,5	72,6	76,3	80,9	86,0	89,8	92,1	91,7	--	
VT 10B / 4	110	m	195,5	186,3	178,7	172,9	167,0	159,1	149,6	136,6	117,0	93,3	
		kW	80,9	79,9	81,8	85,6	90,3	95,9	100,4	103,6	104,6	102,6	
VT 10B / 5E	110	m	216,3	205,0	195,8	188,7	180,8	169,2	154,2	133,1	--	--	
		kW	79,7	78,8	81,5	86,1	91,7	97,6	101,5	103,1	--	--	
VT 10B / 5C	132	m	229,5	218,1	208,8	201,6	194,0	183,4	170,0	151,5	123,3	--	
		kW	89,2	88,1	90,7	95,3	101,1	107,5	112,3	115,1	114,6	--	
VT 10B / 5	132	m	244,4	232,9	223,4	216,1	208,7	198,9	187,0	170,7	146,3	116,6	
		kW	101,1	99,9	102,3	106,9	112,9	119,8	125,5	129,4	130,8	128,2	

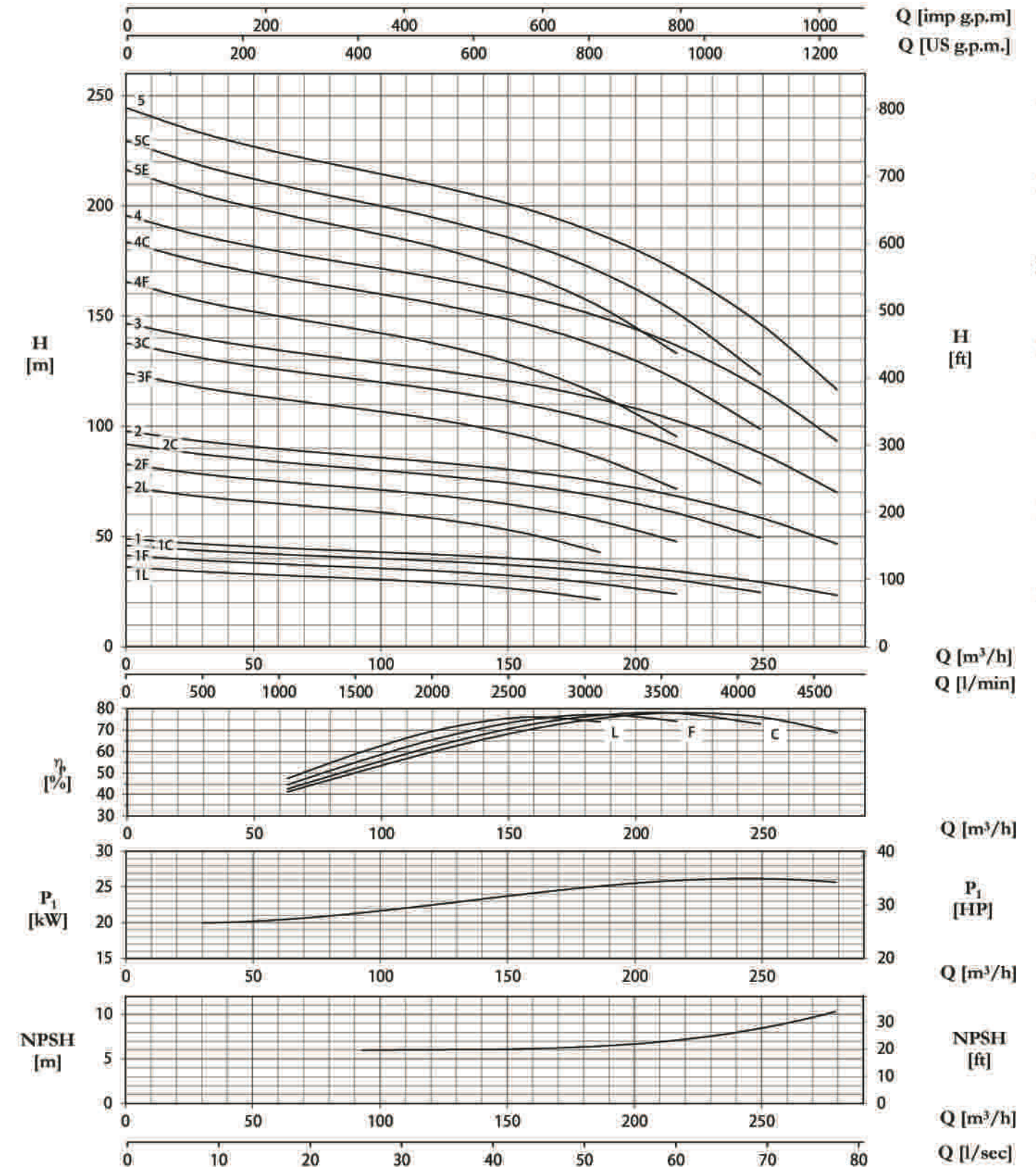
MOTOR 电机		Axis line 轴线	Driveunit 驱动机组	Base 底座	Flange discharge 排放接管	Foot valve 吸水阀	Strainer 滤网
kW	Size尺寸	LA 6/24	E 3/6	B 6/6	DN 150 - PN 25	VF6	SU6
15 - 18,5	160		E 4/6				
22	180		E 5/6				
30 - 37	200		E 6/6				
45	225						
55	250	LA 6/30	E 7/6				
75 - 90	280	LA 6/35	E 8/6				
110 - 132 - 160	315	LA 8/40	E 8/8	B 8/8	DN 200 - PN 25		
200							

LONG SHAFT DEEP WELL PUMP

VT SERIES / 长轴深井泵
VT系列

VT 10B

2975 r.p.m.



请注意: 适用于: ρ=1(kg/dm³)粘度<20 mm²/sec) - 保证值符合 ISO9906, Grade 2 - 本头基于 SG = 1

LONG SHAFT DEEP WELL PUMP

VT SERIES / 长轴深井泵
VT系列

VT 10C

2975 r.p.m.

型号/TYPE	kW	Q										
		m³/h	0	36	69	105	141	174	210	246	279	315
		l/sec	0	10,0	19,2	29,2	39,2	48,3	58,3	68,3	77,5	87,5
		l/min	0	600	1150	1750	2350	2900	3500	4100	4650	5250
VT 10C / 1L	18,5	m	34,8	33,4	32,0	30,2	27,8	25,0	21,2	--	--	--
		kW	12,7	12,7	13,1	13,9	14,9	15,7	16,2	--	--	--
VT 10C / 1F	22	m	39,8	38,4	37,1	35,4	33,3	30,9	27,6	23,5	--	--
		kW	16,4	16,3	16,8	17,6	18,6	19,6	20,5	21,0	--	--
VT 10C / 1C	30	m	44,2	42,9	41,5	39,9	37,9	35,8	32,9	29,3	25,3	--
		kW	20,1	19,9	20,3	21,1	22,2	23,3	24,4	25,3	25,7	--
VT 10C / 1	30	m	47,1	45,8	44,4	42,8	40,9	38,9	36,2	32,9	29,3	24,6
		kW	22,8	22,6	23,0	23,8	24,9	26,1	27,3	28,3	29,0	29,2
VT 10C / 2L	37	m	69,6	66,8	64,1	60,4	55,7	50,1	42,3	--	--	--
		kW	25,5	25,3	26,2	27,9	29,8	31,4	32,4	--	--	--
VT 10C / 2F	45	m	79,6	76,9	74,2	70,8	66,5	61,7	55,2	47,0	--	--
		kW	32,9	32,7	33,5	35,2	37,3	39,2	41,0	42,0	--	--
VT 10C / 2C	55	m	88,4	85,7	83,0	79,8	75,8	71,5	65,7	58,6	50,7	--
		kW	40,1	39,8	40,6	42,3	44,5	46,6	48,9	50,5	51,3	--
VT 10C / 2	75	m	94,2	91,5	88,9	85,7	81,9	77,8	72,4	65,8	58,6	49,2
		kW	45,6	45,2	45,9	47,6	49,9	52,2	54,6	56,7	57,9	58,3
VT 10C / 3F	75	m	119,5	115,3	111,3	106,1	99,8	92,6	82,8	70,5	--	--
		kW	49,3	49,0	50,3	52,8	55,9	58,8	61,5	63,0	--	--
VT 10C / 3C	90	m	132,7	128,6	124,6	119,6	113,8	107,3	98,6	87,9	76,0	--
		kW	60,2	59,8	60,9	63,4	66,7	70,0	73,3	75,8	77,0	--
VT 10C / 3	90	m	141,4	137,3	133,3	128,5	122,8	116,7	108,6	98,7	87,9	73,8
		kW	68,4	67,8	68,9	71,4	74,8	78,2	81,9	85,0	86,9	87,5
VT 10C / 4F	90	m	159,3	153,8	148,4	141,5	133,1	123,5	110,4	94,0	--	--
		kW	65,8	65,4	67,0	70,4	74,6	78,5	82,0	84,0	--	--
VT 10C / 4C	110	m	176,9	171,4	166,1	159,5	151,7	143,0	131,4	117,2	101,4	--
		kW	80,3	79,7	81,2	84,6	89,0	93,3	97,7	101,1	102,7	--
VT 10C / 4	132	m	188,5	183,0	177,7	171,3	163,8	155,6	144,8	131,6	117,1	98,3
		kW	91,1	90,4	91,9	95,2	99,7	104,3	109,2	113,3	115,8	116,6
VT 10C / 5E	132	m	208,2	201,4	194,7	186,2	176,0	164,6	149,0	129,8	--	--
		kW	89,6	88,9	91,0	95,2	100,5	105,6	110,5	113,8	--	--
VT 10C / 5C	132	m	221,1	214,3	207,6	199,4	189,6	178,8	164,3	146,5	126,7	--
		kW	100,4	99,6	101,5	105,7	111,2	116,6	122,1	126,3	128,3	--
VT 10C / 5	160	m	235,6	228,8	222,2	214,1	204,7	194,5	181,0	164,5	146,4	122,9
		kW	113,9	113,0	114,8	119,0	124,7	130,4	136,5	141,6	144,8	145,8

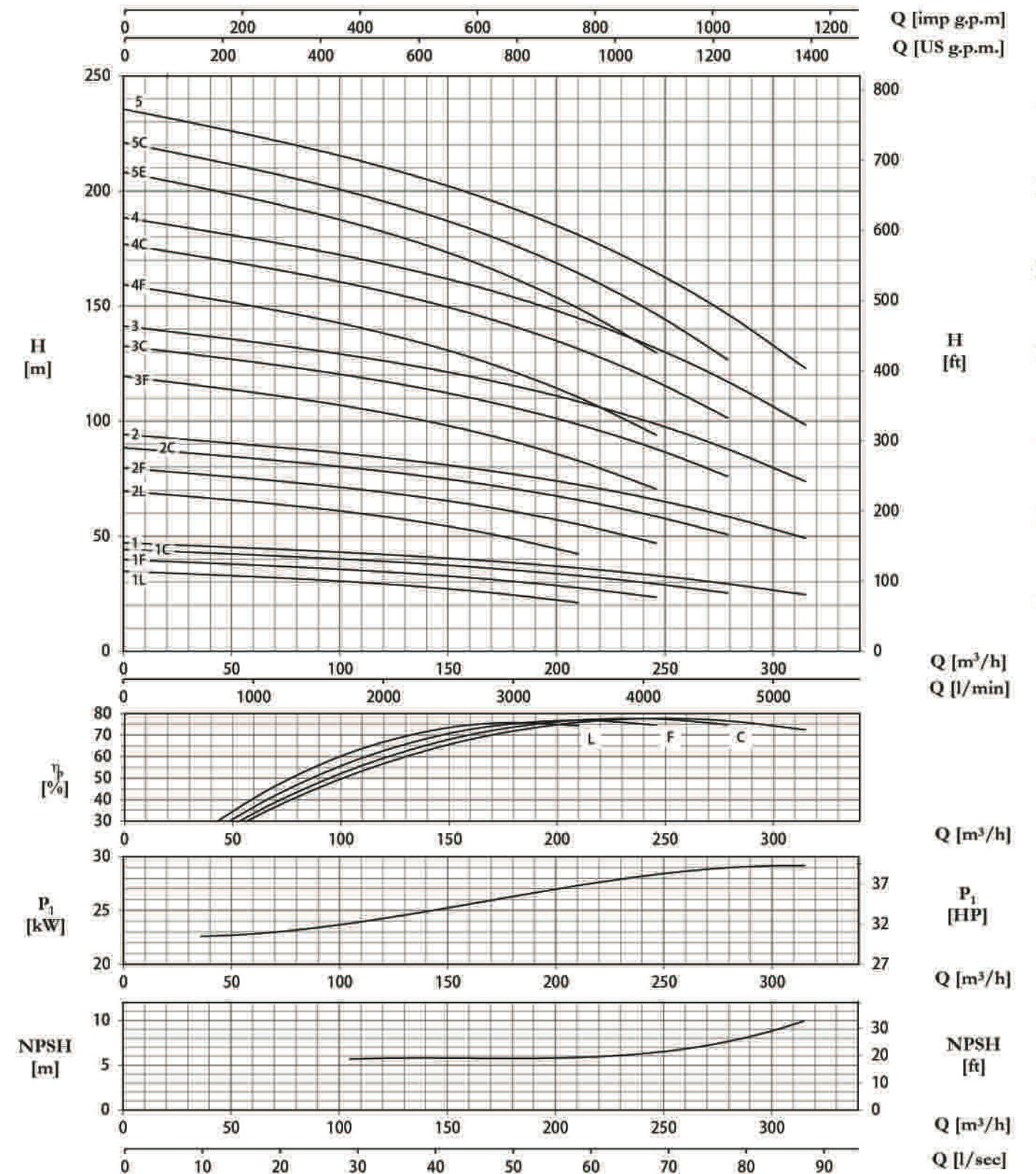
MOTOR 电机		Axis line 轴线	Driveunit 驱动机组	Base 基座	Flange discharge 排放短管	Foot valve 吸水阀	Strainer 滤网
kW	Size尺寸	LA 6/24	E 3/6	B 6/6	DN 150 - PN 25	VF6	SU6
15 - 18,5	160		E 4/6				
22	180		E 5/6				
30 - 37	200		E 6/6				
45	225						
55	250	LA 6/30	E 7/6	B 8/8	DN 200 - PN 25		
75 - 90	280	LA 6/35	E 8/6				
110 - 132 - 160	315	LA 8/40	E 8/8				

LONG SHAFT DEEP WELL PUMP

VT SERIES / 长轴深井泵
VT系列

VT 10C

2975 r.p.m.



请注意: 适用于: $\rho=1(\text{kg/dm}^3)$ 粘度 $< 20 \text{ mm}^2/\text{sec}$ - 保证值符合 ISO9906, Grade 2 - 水头基于 $SG = 1$

LONG SHAFT DEEP WELL PUMP

VT SERIES / 长轴深井泵 VT系列

VT 10D

2975 r.p.m.

型号/TYPE	kW	Q											
		m³/h	0	45	90	132	177	222	267	309	354	399	
		l/sec	0	12,5	25,0	36,7	49,2	61,7	74,2	85,8	98,3	110,8	
		l/min	0	750	1500	2200	2950	3700	4450	5150	5900	6650	
VT 10D / 1L	22	m	35,7	34,4	33,0	31,4	28,9	25,3	20,2	--	--	--	
		kW	15,6	15,9	16,8	17,9	19,2	20,3	21,0	--	--	--	
VT 10D / 1F	30	m	40,8	39,5	38,1	36,7	34,5	31,6	27,5	22,5	--	--	
		kW	20,1	20,4	21,3	22,5	23,9	25,3	26,5	27,2	--	--	
VT 10D / 1C	37	m	45,3	43,9	42,6	41,2	39,3	36,8	33,3	29,1	23,4	--	
		kW	24,5	24,8	25,7	26,9	28,4	30,0	31,5	32,5	33,2	--	
VT 10D / 1	45	m	48,2	46,9	45,6	44,2	42,4	40,1	36,9	33,2	28,0	21,5	
		kW	27,8	28,1	29,0	30,2	31,8	33,5	35,1	36,4	37,3	37,7	
VT 10D / 2L	45	m	71,4	68,8	66,0	62,8	57,8	50,5	40,3	--	--	--	
		kW	31,2	31,8	33,6	35,8	38,4	40,6	42,1	--	--	--	
VT 10D / 2F	55	m	81,6	78,9	76,3	73,3	69,1	63,2	55,1	45,0	--	--	
		kW	40,3	40,8	42,6	45,0	47,8	50,6	53,0	54,3	--	--	
VT 10D / 2C	75	m	90,5	87,8	85,2	82,4	78,6	73,5	66,7	58,3	46,7	--	
		kW	49,0	49,6	51,3	53,8	56,8	60,0	62,9	65,0	66,3	--	
VT 10D / 2	90	m	96,4	93,7	91,1	88,4	84,8	80,1	73,9	66,4	56,0	43,0	
		kW	55,6	56,1	57,9	60,4	63,6	67,0	70,2	72,8	74,7	75,3	
VT 10D / 3F	90	m	122,4	118,4	114,4	110,0	103,6	94,8	82,6	67,5	--	--	
		kW	60,4	61,2	63,9	67,4	71,7	75,9	79,4	81,5	--	--	
VT 10D / 3C	110	m	135,8	131,8	127,8	123,7	117,9	110,3	100,0	87,4	70,1	--	
		kW	73,5	74,3	77,0	80,7	85,3	90,0	94,4	97,6	99,5	--	
VT 10D / 3	132	m	144,6	140,6	136,7	132,6	127,2	120,2	110,8	99,5	84,1	64,5	
		kW	83,3	84,2	86,9	90,6	95,4	100,5	105,3	109,1	112,0	113,0	
VT 10D / 4F	110	m	163,2	157,9	152,6	146,6	138,2	126,4	110,1	90,0	--	--	
		kW	80,5	81,7	85,2	89,9	95,6	101,3	105,9	108,6	--	--	
VT 10D / 4D	132	m	177,2	171,9	166,6	161,0	153,2	142,7	128,5	111,1	87,1	--	
		kW	94,1	95,2	98,8	103,6	109,7	115,9	121,5	125,4	127,5	--	
VT 10D / 4	160	m	192,8	187,4	182,2	176,8	169,6	160,2	147,8	132,7	112,1	86,1	
		kW	111,1	112,2	115,8	120,8	127,2	134,0	140,4	145,5	149,3	150,7	
VT 10D / 5F	160	m	204,0	197,3	190,7	183,3	172,7	158,0	137,7	112,5	--	--	
		kW	100,6	102,1	106,5	112,4	119,6	126,6	132,4	135,8	--	--	
VT 10D / 5D	160	m	221,5	214,8	208,3	201,2	191,5	178,4	160,7	138,9	108,8	--	
		kW	117,6	119,0	123,5	129,5	137,1	144,9	151,8	156,8	159,4	--	

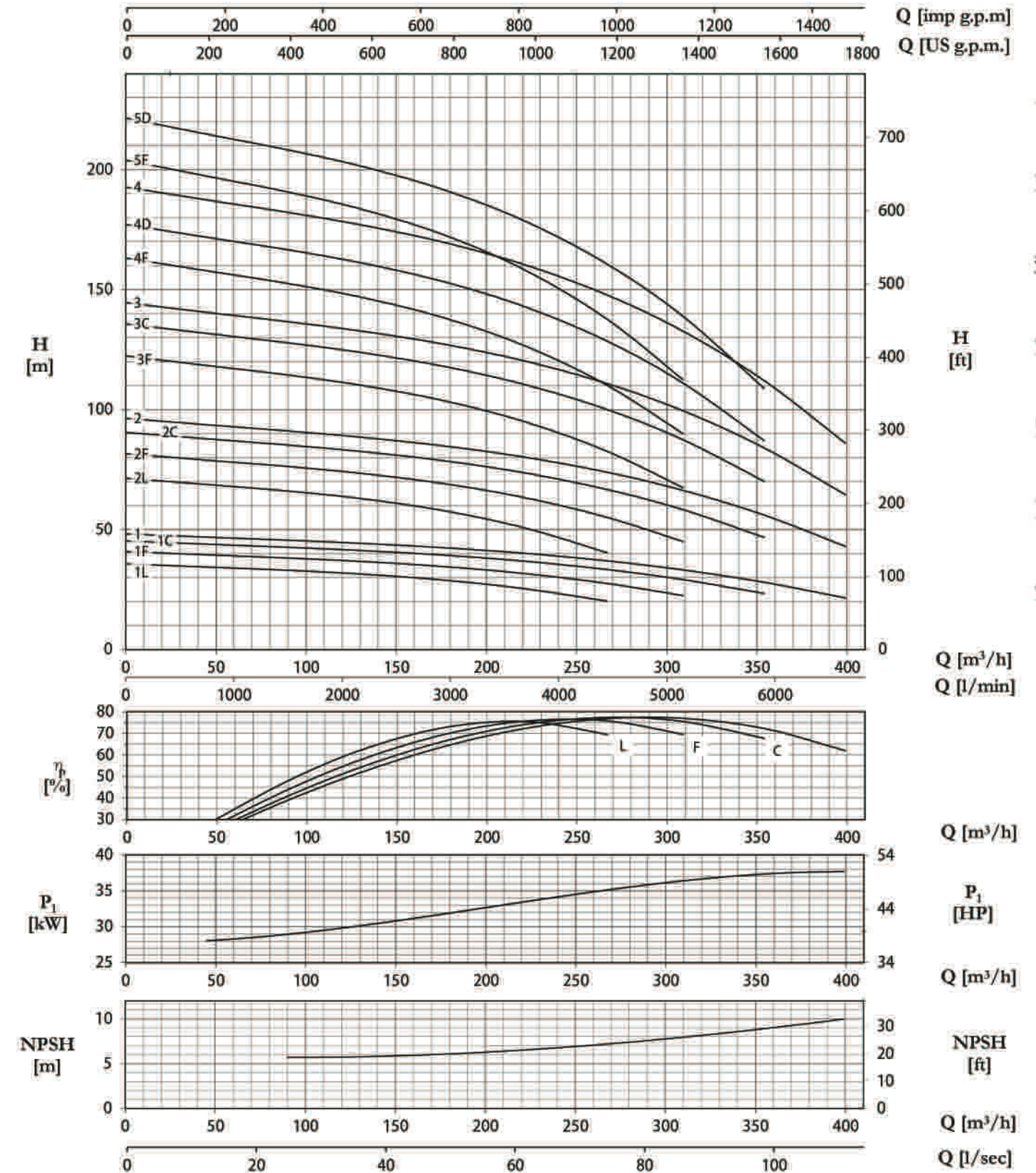
MOTOR 电机		Axis line 轴线	Driveunit 驱动机组	Base 基座	Flange discharge 排放接管	Foot valve 吸水阀	Strainer 滤网
kW	Size 尺寸	LA 6/24	E 3/6	B 6/6	DN 150 - PN 25	VF6	SU6
15 - 18,5	160		E 4/6				
22	180		E 5/6				
30 - 37	200		E 6/6				
45	225						
55	250	LA 6/30	E 7/6				
75 - 90	280						
110 - 132 - 160	315	LA 6/35	E 8/6	B 8/8	DN 200 - PN 25		
200		LA 8/40	E 8/8				

LONG SHAFT DEEP WELL PUMP

VT SERIES / 长轴深井泵 VT系列

VT 10D

2975 r.p.m.



请注意: 适用于: $\rho=1(\text{kg/dm}^3)$ 粘度 $\leq 20 \text{ mm}^2/\text{sec}$ - 保证值符合 ISO9906, Grade 2 - 水头基于 $5G \pm 1$

LONG SHAFT DEEP WELL PUMP

VT SERIES / 长轴深井泵
VT系列

VT 10RA

2900 r.p.m.

型号/TYPE	kW	Q										
		m ³ /h	0	9	18	24	33	42	51	57	66	75
VT 10RA / 6	37	m	214,1	208,1	203,2	199,7	192,7	181,8	165,4	150,4	120,4	79,9
		kW	17,0	19,6	22,7	24,9	28,3	31,3	33,6	34,7	35,2	34,1
		l/min	0	150	300	400	550	700	850	950	1100	1250
VT 10RA / 7	45	m	249,8	242,7	237,1	233,0	224,8	212,2	193,0	175,5	140,5	93,2
		kW	19,9	22,8	26,5	29,1	33,0	36,5	39,3	40,5	41,0	39,8
		l/min	0	150	300	400	550	700	850	950	1100	1250
VT 10RA / 8	55	m	285,5	277,4	270,9	266,2	256,9	242,5	220,5	200,5	160,6	106,5
		kW	22,7	26,1	30,3	33,2	37,7	41,7	44,9	46,2	46,9	45,5
		l/min	0	150	300	400	550	700	850	950	1100	1250
VT 10RA / 9	55	m	321,1	312,1	304,8	299,5	289,0	272,8	248,1	225,6	180,6	119,8
		kW	25,6	29,4	34,1	37,4	42,4	46,9	50,5	52,0	52,8	51,1
		l/min	0	150	300	400	550	700	850	950	1100	1250
VT 10RA / 10	75	m	356,8	346,8	338,7	332,8	321,1	303,1	275,7	250,7	200,7	133,1
		kW	28,4	32,6	37,8	41,6	47,1	52,2	56,1	57,8	58,6	56,8
		l/min	0	150	300	400	550	700	850	950	1100	1250
VT 10RA / 11	75	m	392,5	381,4	372,5	366,1	353,2	333,4	303,2	275,7	220,8	146,4
		kW	31,2	35,9	41,6	45,7	51,8	57,4	61,7	63,6	64,5	62,5
		l/min	0	150	300	400	550	700	850	950	1100	1250

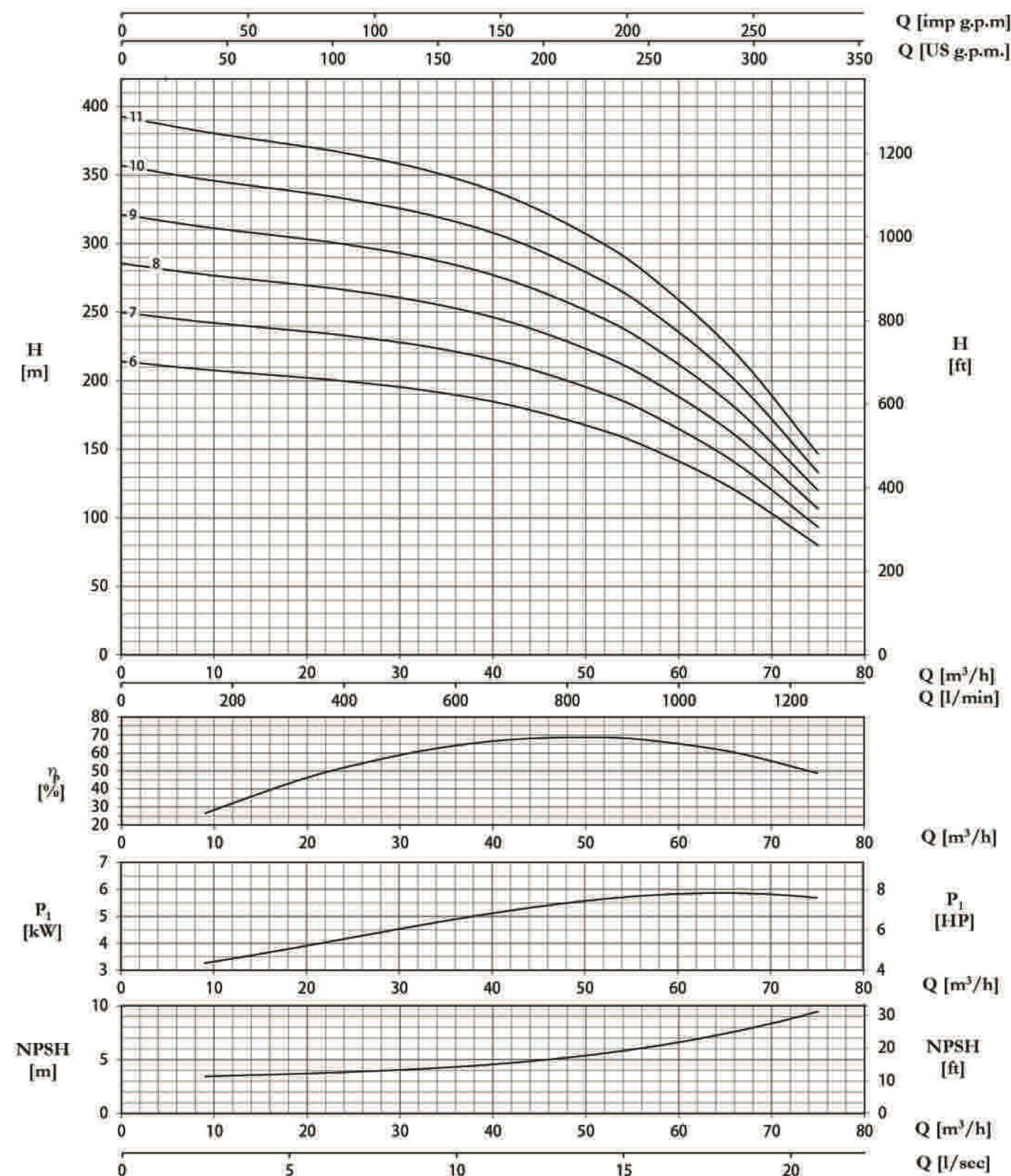
MOTOR 电机		Axis line 轴线	Driveunit 驱动机组	Base 底座	Flange discharge 排液接管	Foot valve 吸水阀	Strainer 滤网
kW	Size 尺寸						
37	200	LA 4/24	E 5/4	B 4/4	DN 100 - PN 25	VF6	SU6
45	225		E 6/4				
55	250	LA 4/30	E 7/4				
75 - 90	280						

LONG SHAFT DEEP WELL PUMP

VT SERIES / 长轴深井泵
VT系列

VT 10RA

2900 r.p.m.



请注意: 适用于: $\rho=1(\text{kg/dm}^3)$ 粘度 $< 20 \text{ mm}^2/\text{sec}$ - 保证值符合 ISO9906, Grade 2 - 水头基于 $30 = 1$

LONG SHAFT DEEP WELL PUMP

VT SERIES / 长轴深井泵
VT系列

VT 10RB

2900 r.p.m.

型号/TYPE	kW	Q											
		m ³ /h	0	12	21	33	45	54	66	78	87	99	
		l/sec	0	3,3	5,8	9,2	12,5	15,0	18,3	21,7	24,2	27,5	
		l/min	0	200	350	550	750	900	1100	1300	1450	1650	
VT 10RB / 6	45	m	202,1	197,1	192,8	185,6	175,8	166,1	149,4	127,4	106,9	73,4	
		kW	16,8	20,5	23,6	27,7	31,4	33,8	36,2	37,1	36,8	34,5	
VT 10RB / 7	45	m	235,8	230,0	225,0	216,6	205,1	193,8	174,3	148,6	124,7	85,6	
		kW	19,6	24,0	27,5	32,3	36,7	39,5	42,2	43,3	42,9	40,2	
VT 10RB / 8	55	m	269,5	262,8	257,1	247,5	234,4	221,5	199,2	169,9	142,5	97,9	
		kW	22,4	27,4	31,4	36,9	41,9	45,1	48,2	49,5	49,0	46,0	
VT 10RB / 9	75	m	303,1	295,7	289,3	278,4	263,7	249,2	224,1	191,1	160,3	110,1	
		kW	25,2	30,8	35,4	41,5	47,2	50,8	54,2	55,7	55,1	51,7	
VT 10RB / 10	75	m	336,8	328,5	321,4	309,4	293,0	276,9	249,0	212,4	178,2	122,3	
		kW	28,0	34,2	39,3	46,1	52,4	56,4	60,3	61,9	61,3	57,4	
VT 10RB / 11	75	m	370,5	361,4	353,6	340,3	322,3	304,6	273,9	233,6	196,0	134,6	
		kW	30,8	37,6	43,2	50,7	57,6	62,0	66,3	68,1	67,4	63,2	
VT 10RB / 12	75	m	404,2	394,3	385,7	371,2	351,6	332,2	298,8	254,8	213,8	146,8	
		kW	33,6	41,1	47,2	55,3	62,9	67,7	72,3	74,3	73,5	68,9	

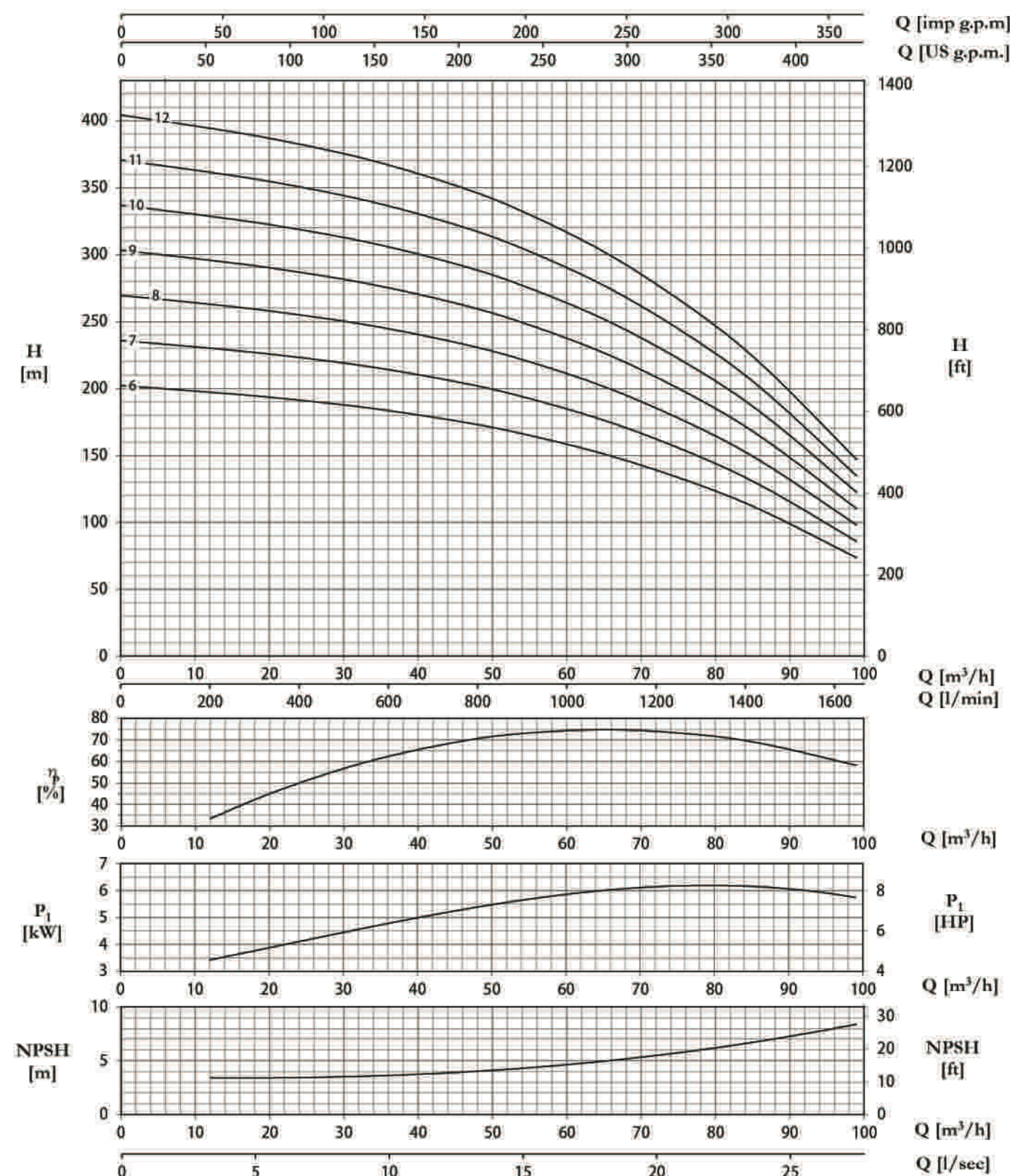
MOTOR 电机		Axis line 轴线	Driveunit 驱动机组	Base 底座	Flange discharge 排放短管	Foot valve 吸水阀	Strainer 滤网
kW	Size 尺寸						
37	200	LA 4/24	E 5/4	B 4/4	DN 100 - PN 25	VF6	SU6
45	225		E 6/4				
55	250	LA 4/30	E 7/4				
75 - 90	280						

LONG SHAFT DEEP WELL PUMP

VT SERIES / 长轴深井泵
VT系列

VT 10RB

2900 r.p.m.



请注意: 适用于: ρ=1(kg/dm³)粘度<20(mm²/sec) - 保证值符合 ISO9906, Grade 2 - 水头基于 SG = 1

LONG SHAFT DEEP WELL PUMP

VT SERIES / 长轴深井泵
VT系列

VT 10RC

2900 r.p.m.

型号/TYPE	kW	Q										
		m³/h	0	18	33	51	66	84	99	117	132	150
		l/sec	0,0	5,0	9,2	14,2	18,3	23,3	27,5	32,5	36,7	41,7
		l/min	0	300	550	850	1.100	1.400	1650	1950	2200	2500
VT 10RC / 3	37	m	123,7	121,2	118,2	113,3	108,0	99,6	90,8	77,8	64,7	45,9
		kW	21,1	22,6	24,3	26,5	28,4	30,6	32,1	33,5	34,1	33,9
VT 10RC / 4	55	m	165,0	161,6	157,6	151,1	143,9	132,8	121,1	103,8	86,3	61,2
		kW	28,1	30,2	32,4	35,4	37,9	40,8	42,9	44,7	45,4	45,2
VT 10RC / 5	75	m	206,2	201,9	197,0	188,9	179,9	166,0	151,4	129,7	107,9	76,5
		kW	35,1	37,7	40,5	44,2	47,4	51,0	53,6	55,8	56,8	56,5
VT 10RC / 6	75	m	247,4	242,3	236,4	226,7	215,9	199,2	181,7	155,7	129,4	91,8
		kW	42,1	45,3	48,6	53,1	56,9	61,2	64,3	67,0	68,1	67,8
VT 10RC / 7	90	m	288,7	282,7	275,8	264,4	251,9	232,4	211,9	181,6	151,0	107,1
		kW	49,1	52,8	56,7	61,9	66,4	71,4	75,0	78,2	79,5	79,1
VT 10RC / 8	110	m	329,9	323,1	315,2	302,2	287,9	265,6	242,2	207,6	172,6	122,4
		kW	56,2	60,4	64,8	70,8	75,9	81,6	85,7	89,3	90,8	90,4
VT 10RC / 9	110	m	371,2	363,5	354,6	340,0	323,9	298,8	272,5	233,5	194,1	137,7
		kW	63,2	67,9	72,9	79,6	85,3	91,8	96,4	100,5	102,2	101,7
VT 10RC / 10	132	m	412,4	403,9	394,0	377,8	359,8	332,0	302,8	259,5	215,7	153,0
		kW	70,2	75,5	81,0	88,5	94,8	102,0	107,1	111,6	113,5	113,0

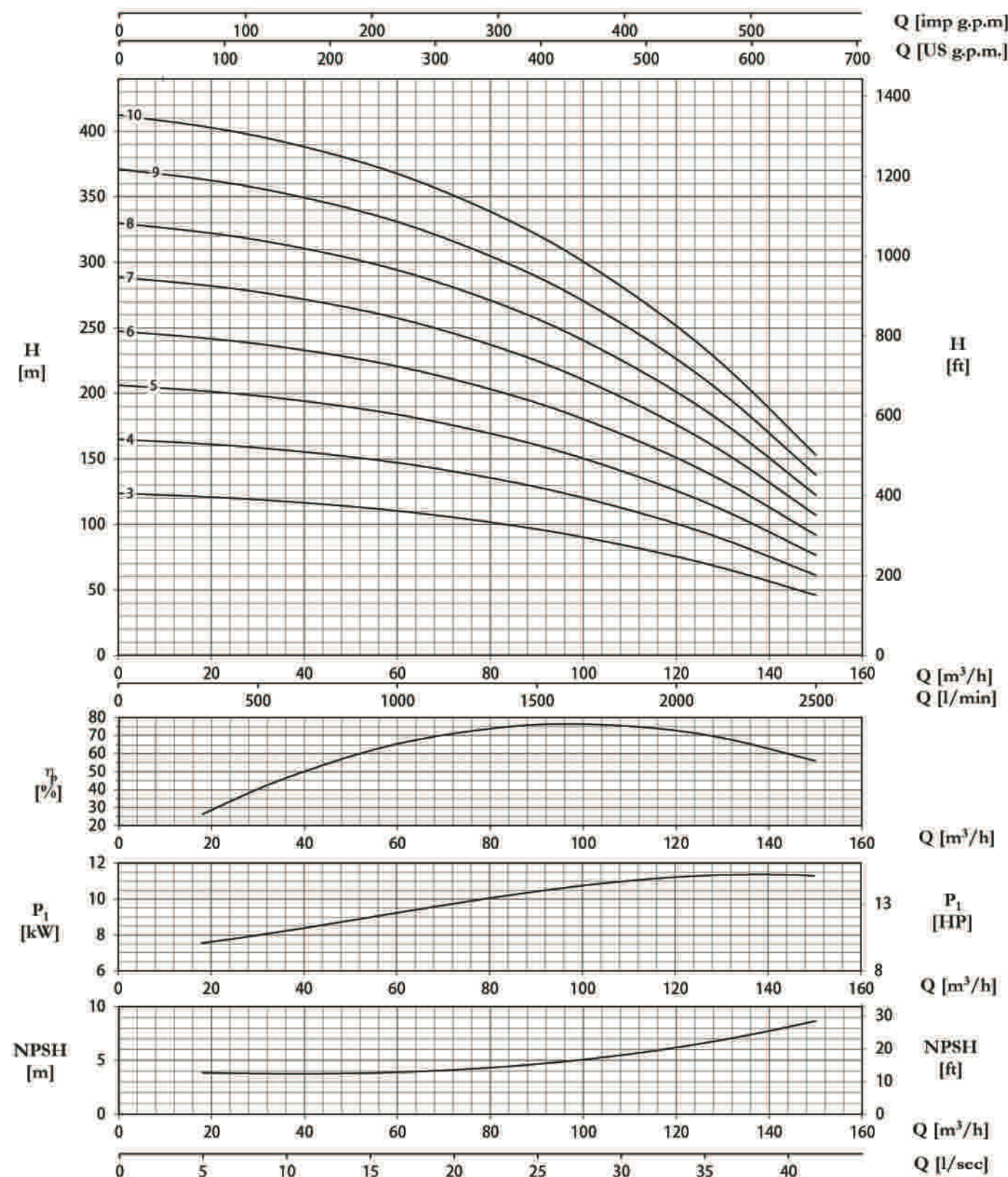
MOTOR 电机		Axis line 轴线	Drive unit 驱动机组	Base 基座	Flange discharge 排液短管	Foot valve 吸水阀	Strainer 滤网
kW	Size 尺寸						
37	200	LA 5/24	E 5/5	B 6/5	DN 150 - PN 25	VF6	SU6
45	225		E 6/5				
55	250	LA 5/30	E 7/5	B 6/6			
75 - 90	280		E 8/6				
110 - 132	315	LA 6/35					

LONG SHAFT DEEP WELL PUMP

VT SERIES / 长轴深井泵
VT系列

VT 10RC

2900 r.p.m.



请注意: 适用于: ρ=1(kg/dm³)粘度<10 mm²/sec) - 保证值符合 ISO9906, Grade 2 - 水头基于 SG = 1

LONG SHAFT DEEP WELL PUMP

VT SERIES / 长轴深井泵
VT系列

VT 12A

2975 r.p.m.

型号/TYPE	kW	Q											
		m³/h	0	45	90	132	177	222	267	309	354	399	
		l/sec	0	12,5	25,0	36,7	49,2	61,7	74,2	85,8	98,3	110,8	
		l/min	0	750	1500	2200	2950	3700	4450	5150	5900	6650	
VT 12A / 1L	37	m	53,6	51,6	49,6	47,2	43,9	39,5	33,6	--	--	--	
		kW	17,2	19,8	23,1	26,3	29,4	31,6	32,5	--	--	--	
VT 12A / 1F	45	m	61,3	59,3	57,3	55,1	52,2	48,5	43,6	37,9	--	--	
		kW	22,2	25,1	28,7	32,3	36,0	39,2	41,3	42,0	--	--	
VT 12A / 1C	55	m	68,3	66,3	64,3	62,2	59,6	56,3	52,1	47,2	40,7	--	
		kW	27,3	30,4	34,3	38,3	42,5	46,3	49,3	51,1	51,5	--	
VT 12A / 1	75	m	73,8	71,8	69,8	67,8	65,3	62,2	58,4	54,0	48,3	41,3	
		kW	31,8	35,2	39,3	43,5	48,1	52,4	56,0	58,6	60,0	59,8	
VT 12A / 2L	75	m	107,2	103,3	99,1	94,4	87,9	79,0	67,3	--	--	--	
		kW	34,4	39,7	46,2	52,6	58,7	63,2	65,1	--	--	--	
VT 12A / 2F	90	m	122,6	118,7	114,6	110,2	104,4	97,0	87,3	75,8	--	--	
		kW	44,4	50,2	57,5	64,7	72,1	78,3	82,6	84,0	--	--	
VT 12A / 2C	110	m	136,6	132,7	128,7	124,5	119,2	112,5	104,1	94,4	81,4	--	
		kW	54,5	60,9	68,7	76,6	85,0	92,6	98,6	102,2	103,1	--	
VT 12A / 2	132	m	147,6	143,6	139,7	135,6	130,6	124,4	116,8	108,0	96,5	82,5	
		kW	63,5	70,3	78,6	87,1	96,2	104,8	112,1	117,1	120,0	119,5	
VT 12A / 3F	132	m	183,9	178,0	171,9	165,4	156,6	145,4	130,9	113,7	--	--	
		kW	66,6	75,4	86,2	97,0	108,1	117,5	123,9	126,0	--	--	
VT 12A / 3C	160	m	204,9	199,0	193,0	186,7	178,7	168,8	156,2	141,5	122,1	--	
		kW	81,8	91,3	103,0	114,8	127,4	138,8	147,9	153,3	154,6	--	
VT 12A / 3	200	m	221,4	215,5	209,5	203,4	195,8	186,6	175,2	162,0	144,8	123,8	
		kW	95,3	105,5	117,9	130,6	144,3	157,2	168,1	175,7	180,0	179,3	
VT 12A / 4F	200	m	245,2	237,3	229,2	220,5	208,9	193,9	174,6	151,6	--	--	
		kW	88,8	100,5	114,9	129,3	144,2	156,7	165,2	168,0	--	--	

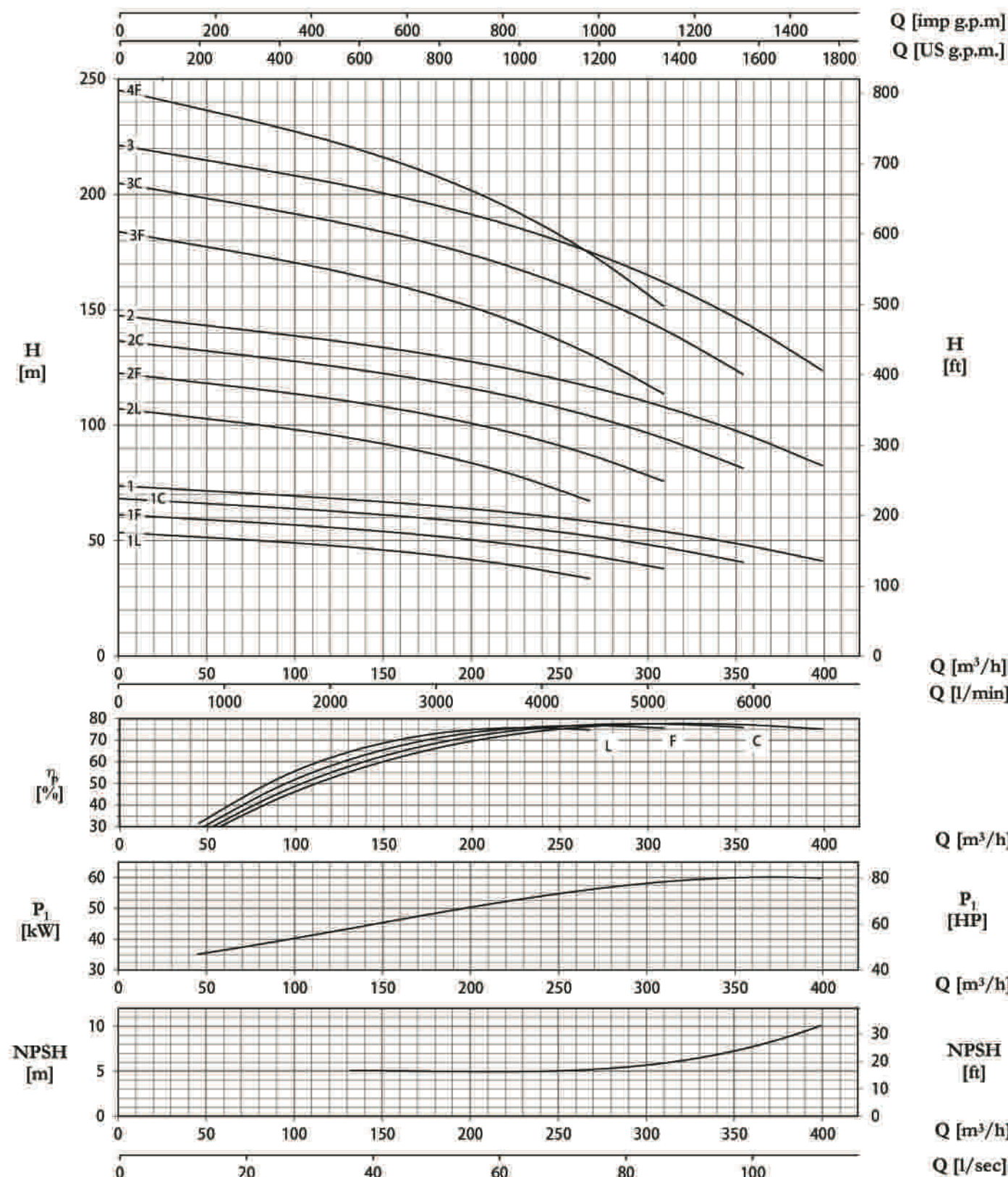
MOTOR 电机		Axis line 轴线	Drive unit 驱动机组	Base 基座	Flange discharge 排放短管	Foot valve 吸水阀	Strainer 滤网
30 - 37	200	LA 8/30	E 5/8	B 8/8	DN 200 - PN 25	VF8	SUB
45	225		E 6/8				
55	250		E 7/8				
75 - 90	280		E 8/8				
110 - 132 - 160	315	LA 8/35	E 8/8				
200	355	LA 8/40	E 9/8				
250							
280 - 315		LA 8/45					

LONG SHAFT DEEP WELL PUMP

VT SERIES / 长轴深井泵
VT系列

VT 12A

2975 r.p.m.



请注意: 适用于: ρ=1(kg/dm³)粘度<20 mm²/sec) - 保证值符合 ISO9906, Grade 2 - 水头基于 SG = 1

LONG SHAFT DEEP WELL PUMP

VT SERIES / 长轴深井泵
VT系列

VT 12B

2975 r.p.m.

型号/TYPE	kW	H [m] - P1 [kW]	Q												
			m³/h	0	57	111	168	222	279	333	390	444	501		
			l/sec	0	15,8	30,8	46,7	61,7	77,5	92,5	108,3	123,3	139,2		
			l/min	0	950	1850	2800	3700	4650	5550	6500	7400	8350		
VT 12B / 1L	45	m	56,2	53,3	50,5	47,4	44,3	40,6	36,6	--	--	--			
		kW	30,9	31,9	33,6	36,1	38,6	41,3	43,5	--	--	--			
VT 12B / 1F	75	m	64,2	61,3	58,6	55,6	52,5	49,0	45,4	41,1	--	--			
		kW	39,9	41,0	42,8	45,3	48,1	51,2	54,0	56,6	--	--			
VT 12B / 1C	75	m	71,5	68,7	65,9	63,0	60,0	56,6	53,2	49,2	45,0	--			
		kW	49,0	50,1	52,0	54,7	57,6	61,0	64,2	67,3	69,9	--			
VT 12B / 1	90	m	77,3	74,4	71,7	68,7	65,8	62,6	59,2	55,4	51,5	46,9			
		kW	57,1	58,3	60,2	63,0	66,1	69,6	73,1	76,6	79,7	82,4			
VT 12B / 2L	90	m	112,3	106,6	101,0	94,9	88,5	81,1	73,2	--	--	--			
		kW	61,9	63,8	67,3	72,1	77,2	82,6	87,1	--	--	--			
VT 12B / 2F	132	m	128,4	122,7	117,2	111,2	105,1	98,1	90,8	82,2	--	--			
		kW	79,8	81,9	85,6	90,7	96,2	102,4	108,0	113,2	--	--			
VT 12B / 2C	160	m	143,1	137,4	131,9	125,9	120,0	113,3	106,4	98,4	90,0	--			
		kW	98,1	100,2	104,0	109,3	115,2	121,9	128,3	134,7	139,8	--			
VT 12B / 2	200	m	154,6	148,9	143,4	137,5	131,6	125,1	118,4	110,8	102,9	93,8			
		kW	114,3	116,5	120,4	125,9	132,1	139,2	146,2	153,3	159,4	164,9			
VT 12B / 3H	160	m	176,9	168,3	160,0	150,9	141,5	130,6	119,1	--	--	--			
		kW	101,8	104,8	110,2	117,5	125,5	133,9	141,3	--	--	--			
VT 12B / 3F	200	m	192,6	184,0	175,8	166,7	157,6	147,1	136,2	123,3	--	--			
		kW	119,8	122,9	128,3	136,0	144,3	153,6	162,0	169,8	--	--			
VT 12B / 3C	250	m	214,6	206,0	197,8	188,9	180,0	169,9	159,6	147,6	135,1	--			
		kW	147,1	150,3	156,0	164,0	172,8	182,9	192,5	202,0	209,8	--			
VT 12B / 3	250	m	231,9	223,3	215,1	206,2	197,5	187,7	177,7	166,2	154,4	140,7			
		kW	171,4	174,8	180,6	188,9	198,2	208,8	219,3	229,9	239,1	247,3			
VT 12B / 4G	250	m	246,3	234,8	223,8	211,6	199,3	185,1	170,1	152,4	--	--			
		kW	147,4	151,5	158,6	168,7	179,5	191,3	201,9	211,4	--	--			

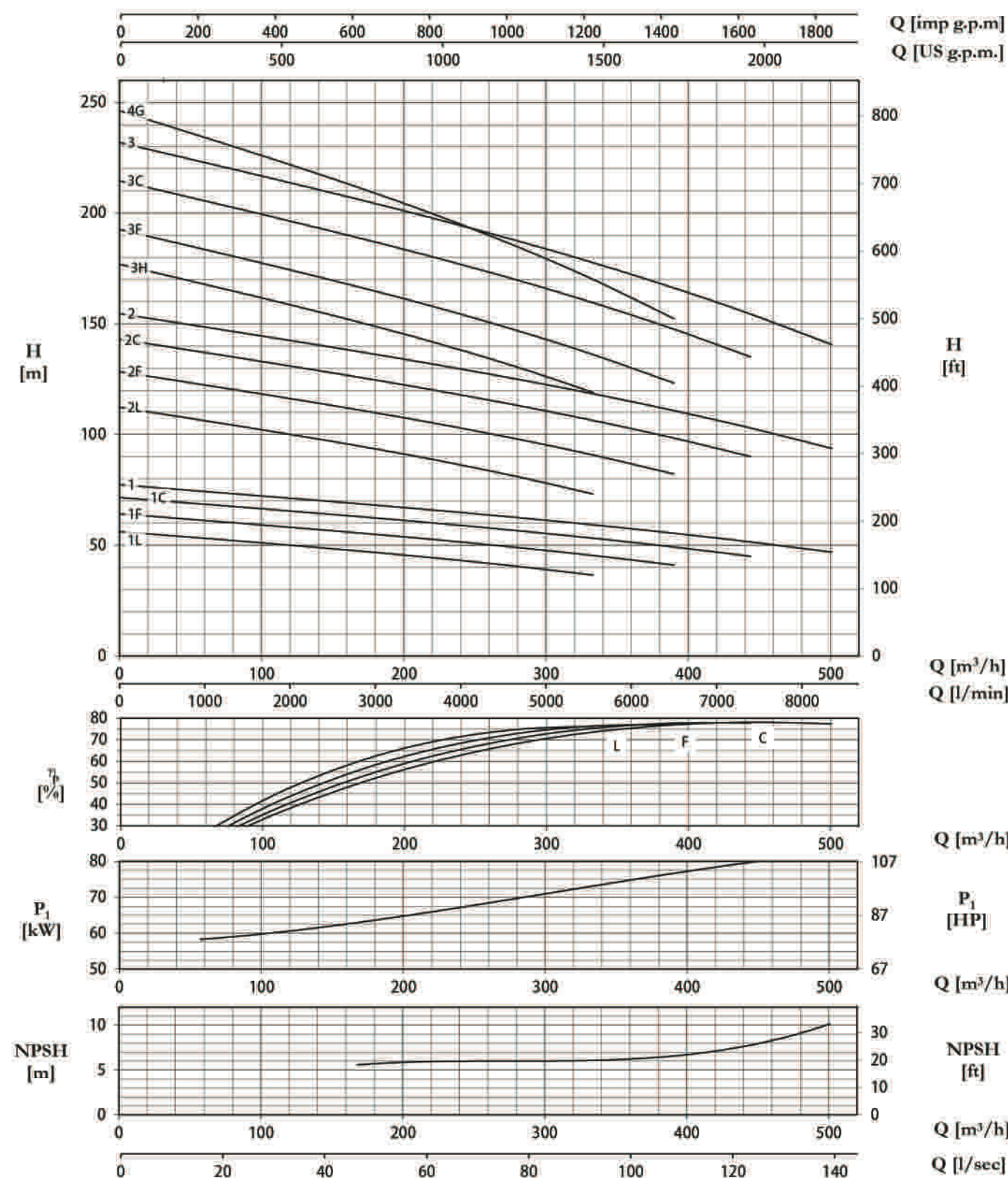
MOTOR 电机		Axis line 轴线	Drive unit 驱动机组	Base 基座	Flange discharge 排放短管	Foot valve 吸水阀	Strainer 滤网
kW	Size 尺寸	LA 8/30	E 5/8	B 8/8	DN 200 - PN 25	VF8	SUS
30 - 37	200		E 6/8				
45	225		E 7/8				
55	250		E 8/8				
75 - 90	280		E 9/8				
110 - 132 - 160	315	LA 8/35	E 8/8				
200	315	LA 8/40					
250	355	LA 8/45					
280 - 315	355						

LONG SHAFT DEEP WELL PUMP

VT SERIES / 长轴深井泵
VT系列

VT 12B

2975 r.p.m.



请注意: 适用于: $\rho=1(\text{kg}/\text{dm}^3)$ 粘度 $<20 \text{ mm}^2/\text{sec}$ - 保证值符合 ISO9906, Grade 2 - 水头基于 SG = 1

LONG SHAFT DEEP WELL PUMP

VT SERIES / 长轴深井泵
VT系列

VT 12C

2975 r.p.m.

型号/TYPE	kW	Q										
		m³/h	0	66	132	201	267	333	399	468	534	600
		l/sec	0	18,3	36,7	55,8	74,2	92,5	110,8	130,0	148,3	166,7
		l/min	0	1100	2200	3350	4450	5550	6650	7800	8900	10000
VT 12C / 1L	55	m	54,5	52,8	50,1	46,5	42,5	38,1	33,6	--	--	--
		kW	36,0	37,2	39,1	41,7	44,4	47,2	49,9	--	--	--
VT 12C / 1F	75	m	62,4	60,7	58,2	54,8	51,0	46,8	42,3	37,6	--	--
		kW	46,5	47,8	49,8	52,5	55,5	58,6	61,8	64,9	--	--
VT 12C / 1C	90	m	69,5	67,9	65,5	62,3	58,6	54,6	50,2	45,5	41,0	--
		kW	57,0	58,4	60,6	63,4	66,5	69,9	73,5	77,1	80,3	--
VT 12C / 1	110	m	75,1	73,5	71,2	68,1	64,6	60,7	56,4	51,8	47,2	42,7
		kW	66,5	67,9	70,2	73,1	76,4	80,0	83,8	87,7	91,3	94,7
VT 12C / 2L	110	m	109,1	105,6	100,3	93,0	84,9	76,2	67,1	--	--	--
		kW	72,0	74,4	78,3	83,3	88,8	94,4	99,8	--	--	--
VT 12C / 2F	132	m	124,7	121,4	116,4	109,6	101,9	93,5	84,6	75,1	--	--
		kW	92,9	95,5	99,6	105,0	110,9	117,2	123,6	129,8	--	--
VT 12C / 2C	200	m	139,0	135,8	131,0	124,5	117,2	109,1	100,5	91,1	82,0	--
		kW	114,1	116,9	121,1	126,8	133,1	139,9	146,9	154,1	160,6	--
VT 12C / 2	200	m	150,1	147,0	142,4	136,2	129,2	121,3	112,8	103,6	94,5	85,5
		kW	133,0	135,9	140,3	146,2	152,8	160,0	167,5	175,4	182,7	189,4
VT 12C / 3L	160	m	163,6	158,5	150,4	139,5	127,4	114,3	100,7	--	--	--
		kW	108,0	111,6	117,4	125,0	133,2	141,6	149,7	--	--	--
VT 12C / 3G	200	m	179,4	174,4	166,6	156,2	144,6	131,8	118,3	104,1	--	--
		kW	128,7	132,5	138,5	146,4	155,1	164,2	173,3	182,1	--	--
VT 12C / 3E	250	m	195,8	190,9	183,5	173,6	162,4	149,9	136,7	122,5	--	--
		kW	152,0	156,1	162,3	170,6	179,7	189,5	199,4	209,4	--	--
VT 12C / 3B	250	m	213,0	208,3	201,1	191,6	180,8	168,7	155,8	141,7	128,1	--
		kW	178,4	182,7	189,1	197,7	207,3	217,6	228,4	239,4	249,5	--
VT 12C / 4H	250	m	229,1	222,3	211,8	197,7	181,8	164,5	146,5	--	--	--
		kW	158,1	163,0	170,9	181,3	192,5	204,3	215,8	--	--	--
VT 12C / 4G	250	m	239,1	232,5	222,2	208,3	192,8	175,7	157,7	138,8	--	--
		kW	171,6	176,6	184,6	195,2	206,8	219,0	231,1	242,9	--	--

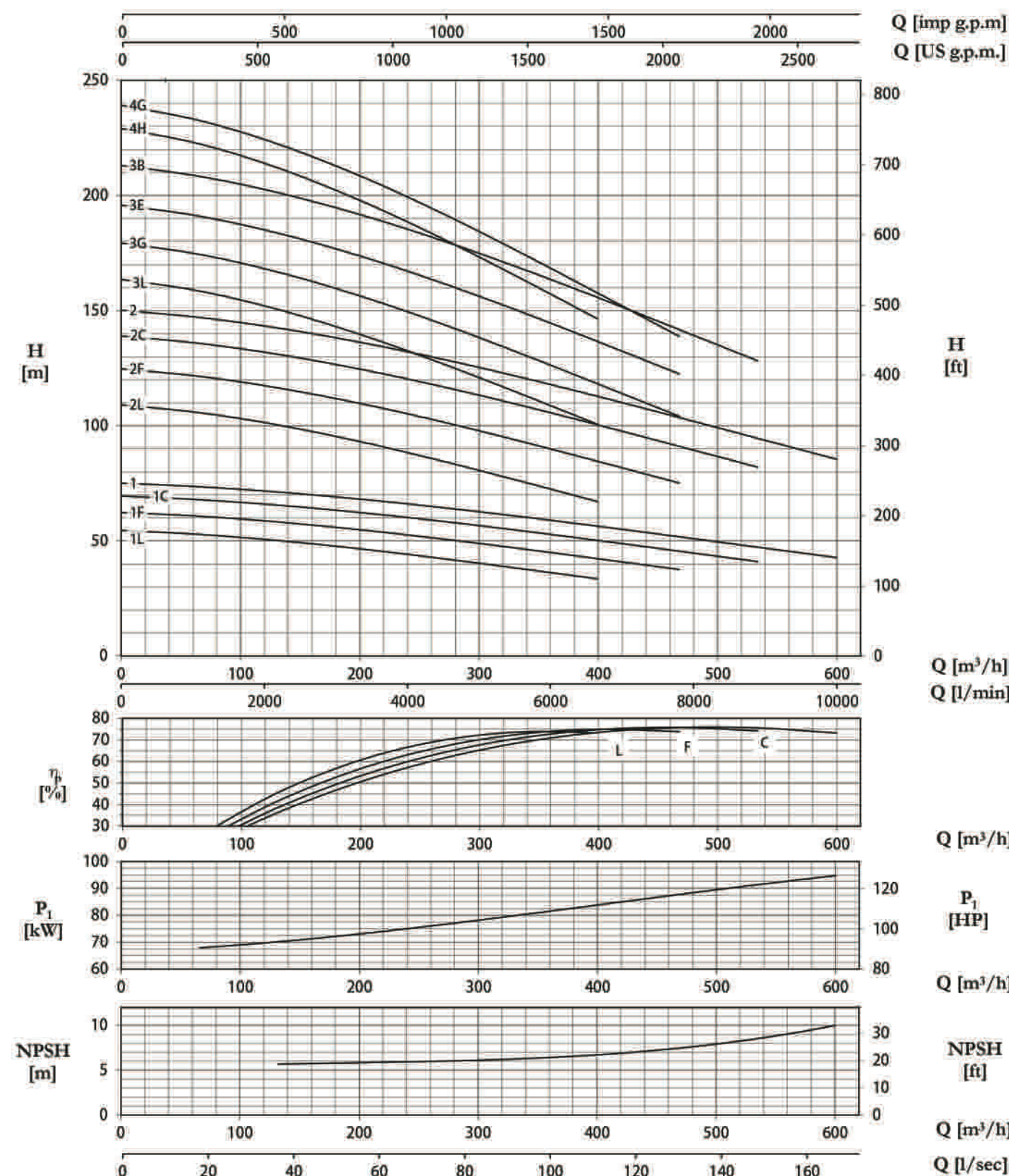
MOTOR 电机		Axis line 轴线	Drive unit 驱动机组	Base 基座	Flange discharge 排放短管	Foot valve 吸水阀	Strainer 滤网
kW	Size 尺寸	LA 8/30	E 5/8	B 8/8	DN 200 - PN 25	VF8	SUB
30 - 37	200		E 6/8				
45	225		E 7/8				
55	250		E 8/8				
75 - 90	280		E 9/8				
110 - 132 - 160	315	LA 8/35	E 8/8				
200	355	LA 8/40	E 8/8				
250		LA 8/45	E 9/8				
280 - 315							

LONG SHAFT DEEP WELL PUMP

VT SERIES / 长轴深井泵
VT系列

VT 12C

2975 r.p.m.



请注意: 适用于: ρ=1(kg/dm³)粘度<20 mm²/sec) - 保证值符合 ISO9906, Grade 2 - 水头基于 SG = 1

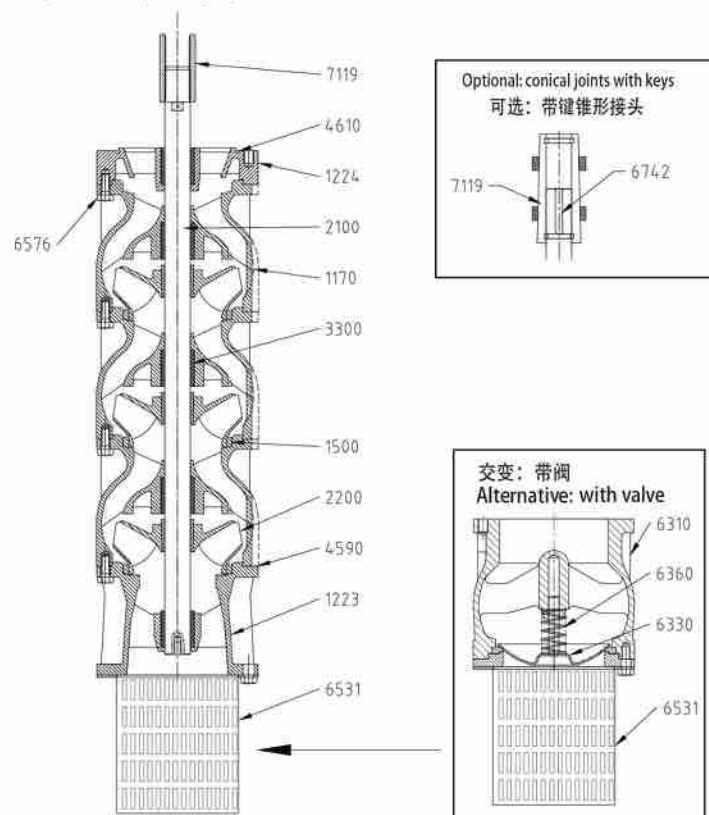
LONG SHAFT DEEP WELL PUMP

VT SERIES / 长轴深井泵
VT系列

VIII、COMPONENTS CODES AND SPARE PARTS 部件代码和配件

VT 6 / 8 / 10 / 12 / 14 / 16 / 22

PUMP BODY 泵体



REF. 编号	Component 部件	Materials 材料	Recomanded spare part 推荐部件	Q.ty 数量
1170	Diffuser 扩压器	EN (G G25) - ASTM (A48 : N r. 35)		
1223	Suction support 吸管支架	EN (G G25) - ASTM (A48 : N r. 35)		
1224	Discharge Casing 排放外壳	EN (G G25) - ASTM (A48 : N r. 35)		
2100	Shaft 轴	EN (X 30 Cr13) ASTM (420)	Yes 是	1
2200	Impeller 叶轮	EN (G G25) - ASTM (A48 : N r. 35)		
3300	Bearing 轴承	Rubber 橡胶	Yes 是	N
6310	Valve body 阀体	-		
6330	Valve 阀	-		
6531	Strainer 滤网	EN (X5CrNi1810) ASTM (304)		
4590	Gasket 垫片	Paper 纸	Yes 是	N+1
4610	OR - Ring O-形环	NBR	Yes 是	N+1
6576	Screw 螺钉	if not specified A2 - A4 如未指定		
6360	Spring 弹簧	-		
6742	Key 键	if not specified A2 - A4 如未指定		
7119	Coupling 连接	EN (X 30 Cr13) ASTM (420)		

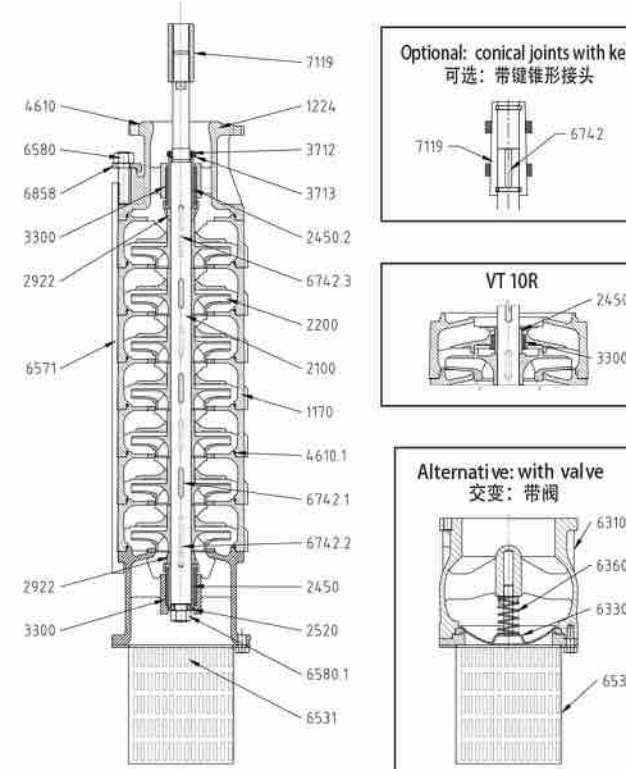
N = 级数 / stages number

LONG SHAFT DEEP WELL PUMP

VT SERIES / 长轴深井泵
VT系列

VT 8RN / 10R

PUMP BODY 泵体



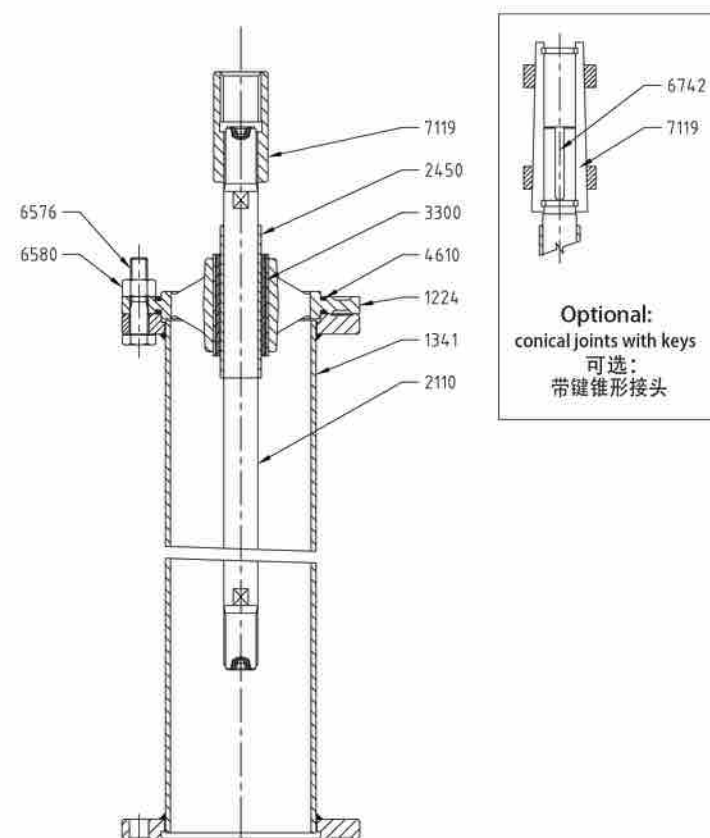
REF. 编号	Component 部件	Materials 材料	Recomanded spare part 推荐备件	Q.ty 数量
1170	Diffuser 扩压器	EN (G G25) - ASTM (A48 : N r. 35)		
1223	Suction support 吸管支架	EN (G G25) - ASTM (A48 : N r. 35)		
1224	Discharge Casing 排放外壳	EN (G G25) - ASTM (A48 : N r. 35)		
2100	Shaft 轴	EN (X 30 Cr13) ASTM (420)		
2200	Impeller 叶轮	EN (G G25) - ASTM (A48 : N r. 35)	Yes 是	N
2450	Shaft Sleeve 轴套	-	Yes 是	1
2450.2	Shaft Sleeve 轴套	-	Yes 是	1
2450.3	Shaft Sleeve 轴套	-	Yes if present 是, 如有	1
2520	Washer 垫圈	EN (X 30 Cr13) ASTM (420)		
2922	Sandguard 防沙	Noryl	Yes 是	2+2
3300	Bearing 轴承	Rubber 橡胶	Yes 是	2
3300.1	Bearing 轴承	Rubber 橡胶	Yes 是	N
3712	Nut 螺母	Steel 钢		
3713	Lockwasher 锁圈	Steel 钢		
4610	OR - Ring O-形环	NBR	Yes 是	N+1
6310	Valve body 阀体	-		
6330	Valve 阀	-		
6360	Spring 弹簧	-		
6531	Strainer 滤网	EN (X5CrNi1810) ASTM (304)		
6571	Tie bolt 系紧螺栓	Steel 钢		
6580	Nut 螺母	if not specified A2 - A4 如未指定		
6580.1	Nut 螺母	if not specified A2 - A4 如未指定	Yes 是	1
6742	Key 键	if not specified A2 - A4 如未指定	Yes 是	1
6742.1	Key 键	if not specified A2 - A4 如未指定	Yes 是	N
6742.2	Key 键	if not specified A2 - A4 如未指定	Yes 是	1
6742.3	Key 键	if not specified A2 - A4 如未指定	Yes 是	1
6858	Plaque 板	Steel 钢		
7119	Coupling 连接	EN (X 30 Cr13) ASTM (420)		

N = 级数 / stages number

LONG SHAFT DEEP WELL PUMP

VT SERIES / 长轴深井泵
VT系列

AXIS LINE 轴线

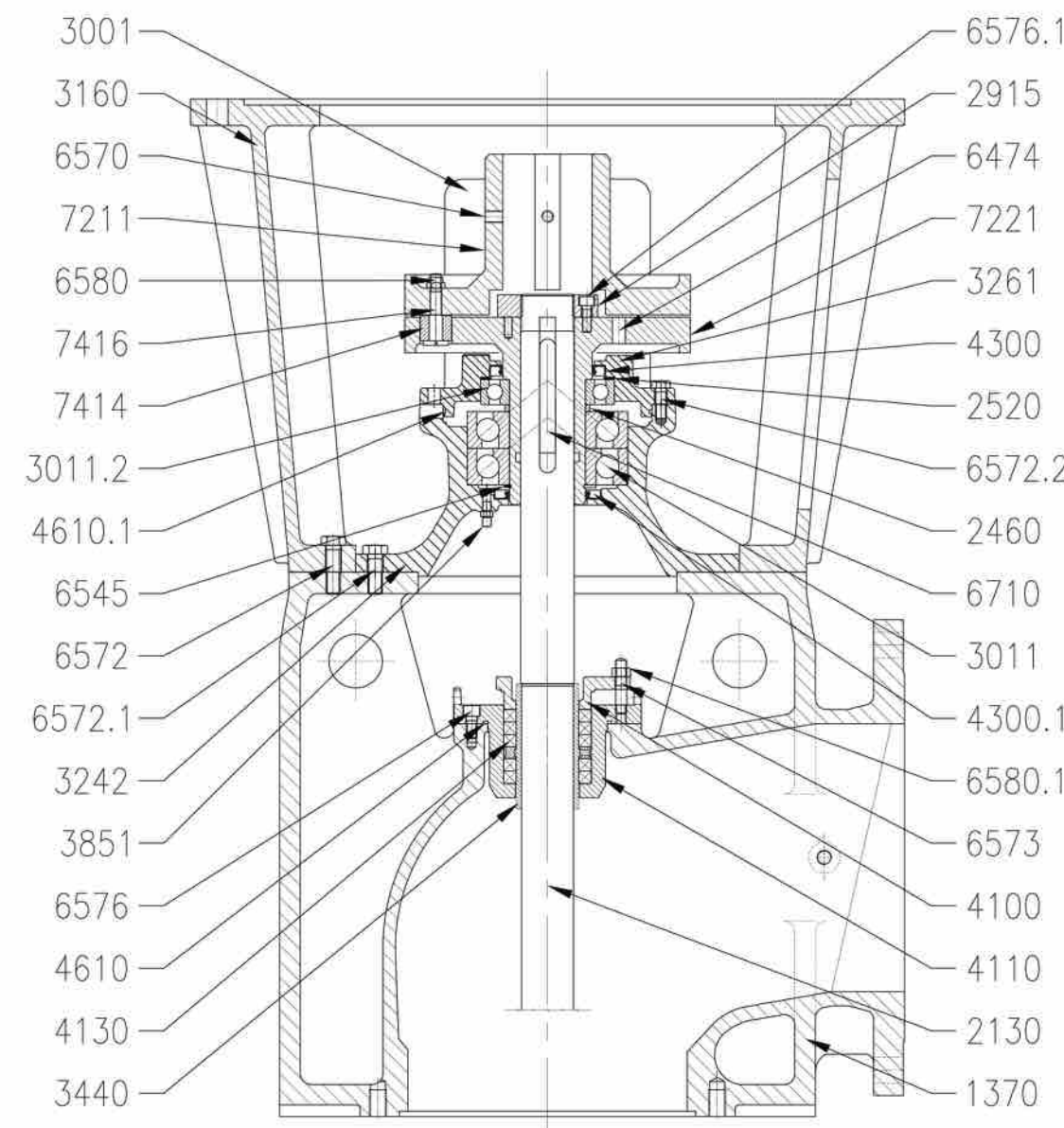


REF. 编号	Component 部件	Materials 材料	Recomanded spare part 推荐备件	Q.ty 数量
1224	Support 支架	EN (G G25) - ASTM (A48 : Nr. 35)		
1341	Pipe 管	EN (P235TR1) - ASTM (A 53 Grade A)		
2110	Shaft 轴	C45E EN (Ck45) ASTM (1045)		
2450	Shaft Sleeve 轴套	Ø ≤ 30 mm Ottone / Brass Ø > 30 mm EN (X 30 Cr13) ASTM (420)	Yes 是	1
3300	Bearing 轴承	Rubber 橡胶	Yes 是	1
4610	OR - Ring O-形环	NBR	Yes 是	1
6576	Screw 螺钉	if not specified A2 - A4 如未指定		
6580	Nut 螺母	if not specified A2 - A4 如未指定		
6742	Key 键	if not specified A2 - A4 如未指定		
7119	Coupling 连接	C45E EN (Ck45) ASTM (1045)		

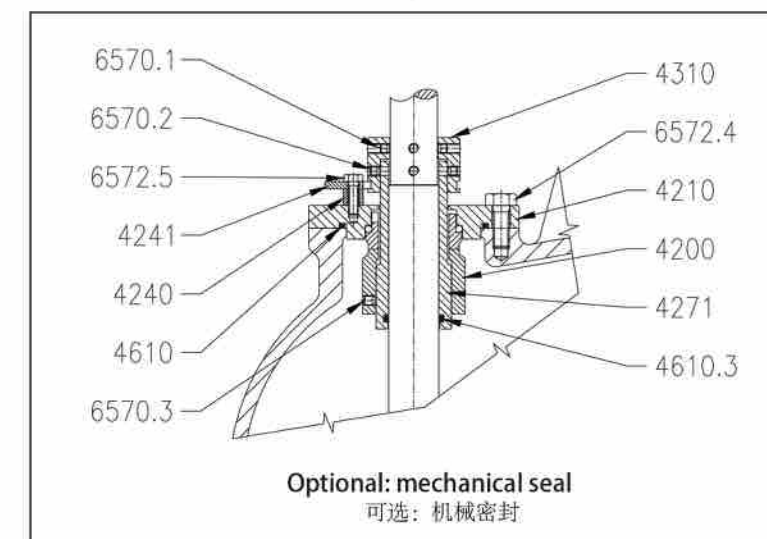
LONG SHAFT DEEP WELL PUMP

VT SERIES / 长轴深井泵
VT系列

MOTOR DRIVE GREASE TYPE 电机驱动 油脂型



- VT
- 990/1500RPM
- 3000RPM
- COMPONENTS
- DIMENSIONS
- APPLICATIONS
- OTHERS



LONG SHAFT DEEP WELL PUMP

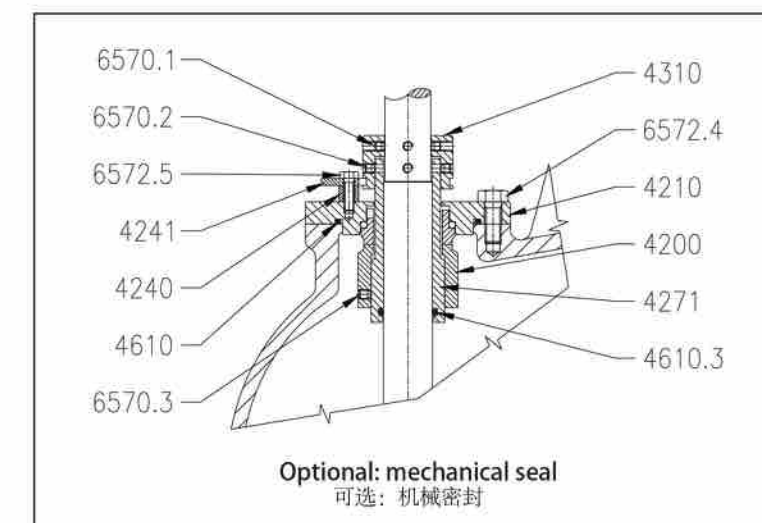
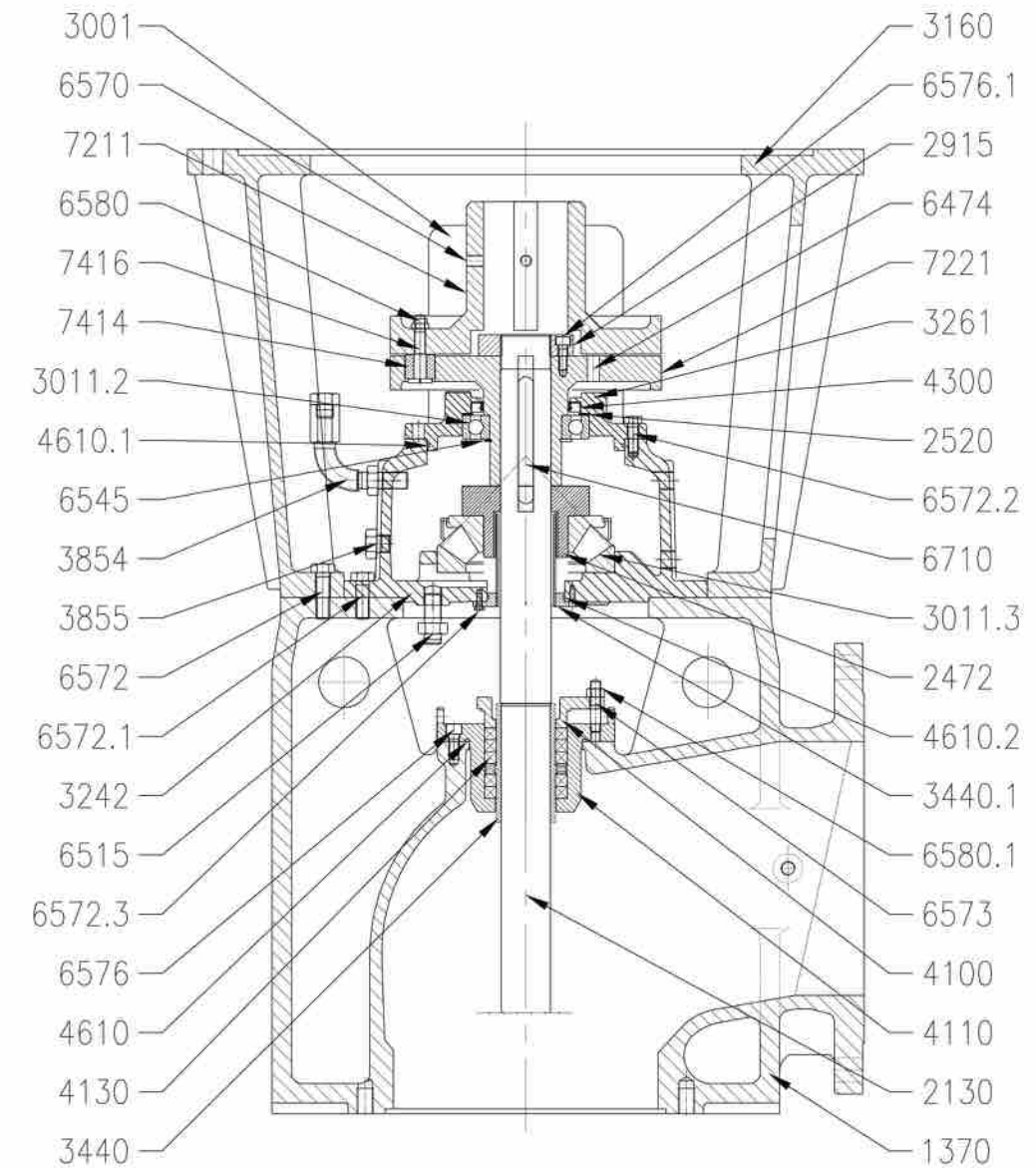
MOTOR DRIVE GREASE TYPE 电机驱动 油脂型

REF. 编号	Component 部件	Materials 材料	Recomanded spare part 推荐备件	Q.ty 数量
1370	Motor drive 电机驱动	EN (G GG42) ASTM (A536 : Gr. 65-A5-12)		
2130	Shaft 轴	EN (X 30 Cr13) ASTM (420)		
2460	Space ring 分隔圈	Steel 钢		
2520	Shoulder ring 轴肩挡圈	Steel 钢		
2915	Adjusting nut 调整螺母	Steel 钢		
3001	Safety net 安全网	Steel 钢		
3011	Bearing 轴承	-	Yes 是	2
3011.2	Bearing 轴承	-	Yes 是	1
3160	Supp. electric motor 安装电机	EN (G GG42) ASTM (A536 : Gr. 65-A5-12)		
3242	Bearing housing 轴承外壳	EN (G G25) - ASTM (A48 : Nr. 35)		
3261	Bearing cover 轴承盖	EN (G G25) - ASTM (A48 : Nr. 35)		
3440	Shaft Sleeve 轴套	EN (X 30 Cr13) ASTM (420)	Yes 是	1
3851	Grease cup 润滑脂杯	Steel 钢		
4100	Stuffing box 填料盒	EN (G GG42) ASTM (A536 : Gr. 65-A5-12)		
4110	Stuffing box housing 填料盒外壳	EN (G GG42) ASTM (A536 : Gr. 65-A5-12)		
4130	Gland packing 压盖密封	Cotton-graphite 棉-石墨	Yes 是	1
4300	Radial shaft seal 径向轴密封	NBR	Yes 是	1
4300.1	Radial shaft seal 径向轴密封	NBR	Yes 是	1
4610	OR - Ring O-型圈	Paper 钢	Yes 是	1
6474	Pin 销	Steel 钢	Yes 是	2/4/6
6545	Lock ring 锁圈	Steel 钢	Yes 是	1
6570	Screw 螺钉	if not specified A2 - A4: 如未指定		
6572	Screw 螺钉	if not specified A2 - A4: 如未指定		
6572.1	Screw 螺钉	if not specified A2 - A4: 如未指定		
6572.2	Screw 螺钉	if not specified A2 - A4: 如未指定		
6573	Stud bolt 螺杆螺栓	if not specified A2 - A4: 如未指定		
6576	Screw 螺钉	if not specified A2 - A4: 如未指定		
6576.1	Screw 螺钉	if not specified A2 - A4: 如未指定		
6580	Nut 螺母	if not specified A2 - A4: 如未指定	Yes 是	4/6/8/10
6580.1	Nut 螺母	if not specified A2 - A4: 如未指定		
6710	Key 键	if not specified A2 - A4: 如未指定	Yes 是	1
7211	Motor coupling 电机连接	EN (G G25) - ASTM (A48 : Nr. 35)		
7221	Pump coupling 泵连接	EN (G G25) - ASTM (A48 : Nr. 35)		
7414	Coupling bush 连接衬套	Rubber 橡胶	Yes 是	4/6/8/10
7416	Coupling bolt 连接螺栓	if not specified A2 - A4: 如未指定	Yes 是	4/6/8/10
4200	Mech. seal 机械密封	-	Yes 是	1
4210	Flange mech. seal 法兰机械密封	Steel 钢		
4240	Spacer 分隔圈	Steel 钢		
4241	Washer 垫圈	A2 - A4: 如未指定 if not speci		
4271	Shaft sleeve mech. seal 轴套机械密封	Steel 钢		
4310	Drive sleeve 驱动轴套	Steel 钢		
4610.3	OR - Ring O-形环	Paper 纸	Yes 是	1
-	Washer Ring 垫圈	Rubber 橡胶	Yes 是	1
6570.1	Screw 螺钉	if not specified A2 - A4: 如未指定		
6570.2	Screw 螺钉	if not specified A2 - A4: 如未指定		
6570.3	Screw 螺钉	if not specified A2 - A4: 如未指定		
6572.4	Screw 螺钉	if not specified A2 - A4: 如未指定		
6572.5	Screw 螺钉	if not specified A2 - A4: 如未指定		

LONG SHAFT DEEP WELL PUMP

VT SERIES / 长轴深井泵 VT系列

MOTOR DRIVE GREASE TYPE 电机驱动 油脂型



LONG SHAFT DEEP WELL PUMP

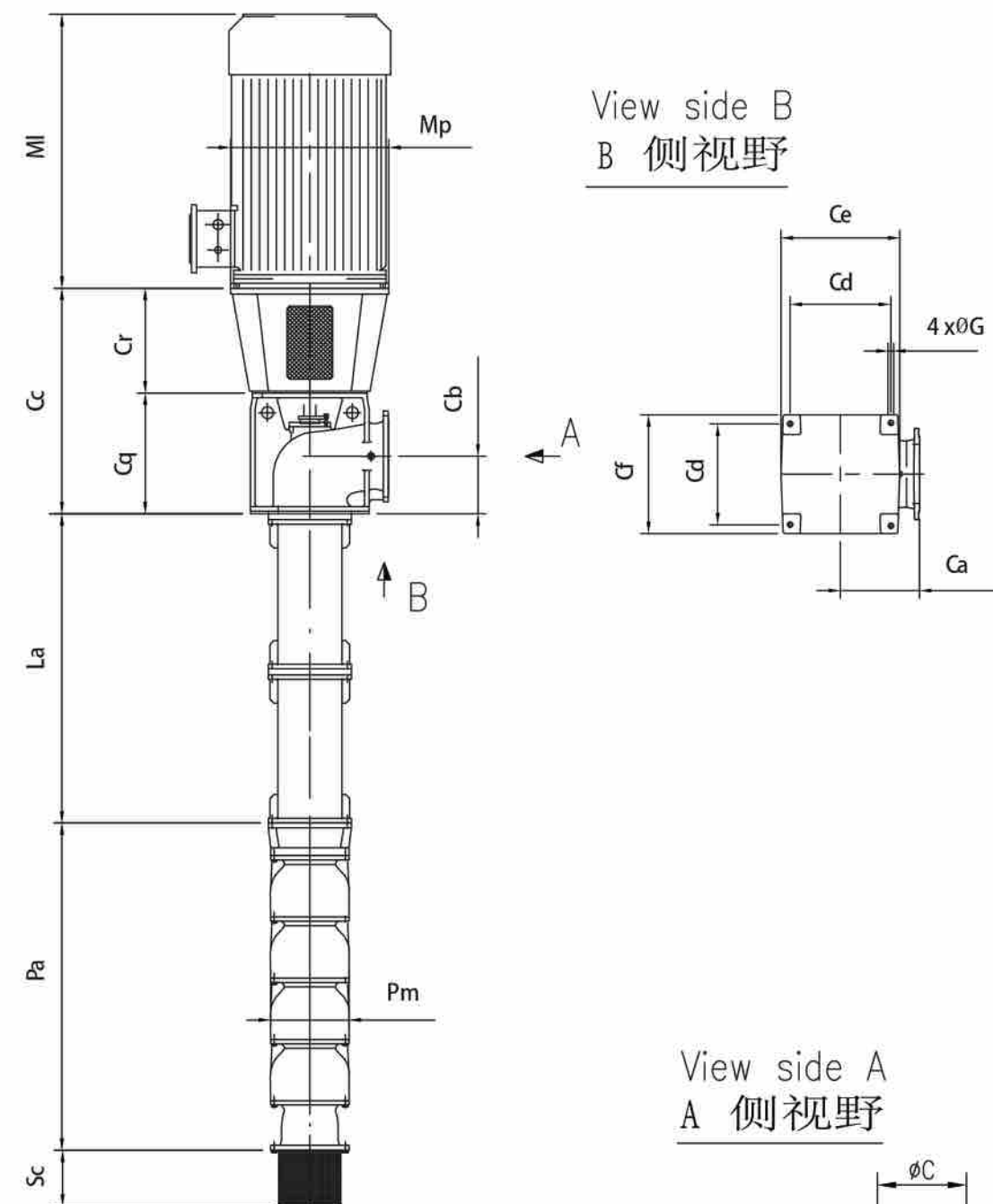
MOTOR DRIVE GREASE TYPE 电机驱动 油脂型

REF. 编号	Component 部件	Materials 材料	Recomanded spare part 推荐备件	Q.ty 数量
1370	Motor drive 电机驱动	EN (G GG42) ASTM (A536 : Gr. 65-A5-12)		
2130	Shaft 轴	EN (X 30 Cr13) ASTM (420)		
2472	Shaft sleeve bearing 轴套轴承	Steel 钢	Yes 是	1
2520	Shoulder ring 轴肩挡圈	Steel 钢	Yes 是	1
2915	Adjusting nut 调整螺母	Steel 钢		
3001	Safety net 安全网	Steel 钢		
3011.2	Bearing 轴承	-	Yes 是	1
3011.3	Bearing 轴承	-	Yes 是	1
3160	Supp. electric motor 安装电机	EN (G GG42) ASTM (A536 : Gr. 65-A5-12)		
3242	Bearing housing 轴承外壳	EN (G G25) - ASTM (A48 : Nr. 35)		
3261	Bearing cover 轴承盖	EN (G G25) - ASTM (A48 : Nr. 35)		
3440	Shaft Sleeve 轴套	EN (X 30 Cr13) ASTM (420)	Yes 是	1
3440.1	Oil glass 油杯	Steel 钢	Yes 是	1
3854	Oil filling plug 加油泵	Plastic 塑料		
3855	Oil indicator 示油规	Plastic-Steel 塑料-钢		
4100	Stuf fiing box 填料盒	EN (G GG42) ASTM (A536 : Gr. 65-A5-12)		
4110	Stuf fiing box housing 填料盒外壳	EN (G GG42) ASTM (A536 : Gr. 65-A5-12)		
4130	Gland packing 压盖密封	Cotton-graphite 棉-石墨	Yes 是	1
4300	Radial shaft seal 径向轴密封	NBR	Yes 是	1
4610	OR - Ring O-形环	Paper 纸	Yes 是	1
4610.1	OR - Ring O-形环	NBR	Yes 是	1
4610.2	OR - Ring O-形环	NBR	Yes 是	1
6474	Pin 销	Steel 钢	Yes 是	8/10
6515	Discharge plug 排放塞			
6545	Lock ring 锁圈			
6570	Screw 螺钉	if not specified A2 - A4: 如未指定		
6572	Screw 螺钉	if not specified A2 - A4: 如未指定		
6572.1	Screw 螺钉	if not specified A2 - A4: 如未指定		
6572.2	Screw 螺钉	if not specified A2 - A4: 如未指定		
6572.3	Screw 螺钉	if not specified A2 - A4: 如未指定		
6573	Stud bolt 螺杆螺栓	if not specified A2 - A4: 如未指定		
6576	Screw 螺钉	if not specified A2 - A4: 如未指定		
6576.1	Screw 螺钉	if not specified A2 - A4: 如未指定		
6580	Nut 螺母	if not specified A2 - A4: 如未指定		
6580.1	Nut 螺母	if not specified A2 - A4: 如未指定		
6710	Key 键	if not specified A2 - A4: 如未指定		
7211	Motor coupling 电机连接	EN (G G25) - ASTM (A48 : Nr.35)		
7221	Pump coupling 泵连接	EN (G G25) - ASTM (A48 : Nr.35)		
7414	Coupling bush 连接衬套	Rubber 橡胶	Yes 是	4/6/8/10
7416	Coupling bolt 连接螺栓	if not specified A2 - A4: 如未指定	Yes 是	4/6/8/10
4200	Mech. seal 机械密封	Paper 纸	Yes 是	1
4210	Flange mech. seal 法兰机械密封	Steel 钢		
4240	Spacer 分隔圈	Steel 钢		
4241	Washer 垫圈	Steel 钢		
4271	Shaft sleeve mech. seal 轴套机械密封	Steel 钢		
4310	Drive sleeve 驱动轴套	Steel 钢		
4610.3	OR - Ring O-形环	Paper 纸	Yes 是	1
-	Washer Ring 垫圈	Rubber 橡胶	Yes 是	1
6570.1	Screw 螺钉	if not specified A2 - A4: 如未指定		
6570.2	Screw 螺钉	if not specified A2 - A4: 如未指定		
6570.3	Screw 螺钉	if not specified A2 - A4: 如未指定		
6572.4	Screw 螺钉	if not specified A2 - A4: 如未指定		
6572.5	Screw 螺钉	if not specified A2 - A4: 如未指定		

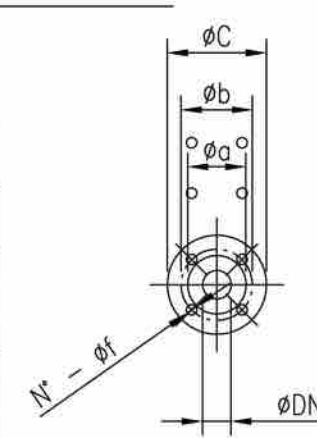
LONG SHAFT DEEP WELL PUMP

VT SERIES / 长轴深井泵 VT系列

IX、OVERALL DIMENSIONS 总尺寸



DN	PN	a (mm)	b (mm)	C (mm)	N°	Øf (mm)
100	25	156	190	235	8	22
150	25	211	250	300	8	28
200	25	274	310	360	12	28
250	25	330	370	425	12	30
300	25	389	430	485	16	30
400	25	503	550	620	16	36



- VT
- 990/1500RPM
- 3000RPM
- COMPONENTS
- DIMENSIONS
- APPLICATIONS
- OTHERS

LONG SHAFT DEEP WELL PUMP

VT SERIES / 长轴深井泵
VT系列

LONG SHAFT DEEP WELL PUMP

VT SERIES / 长轴深井泵
VT系列

3000 r.p.m.

OVERALL DIMENSIONS FOR THE AXIS LINE, DRIVE HEAD AND ELECTRIC MOTOR

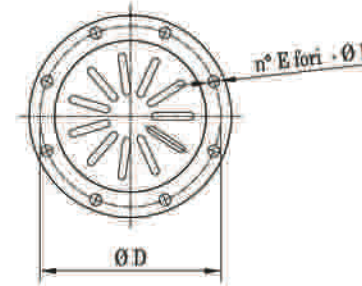
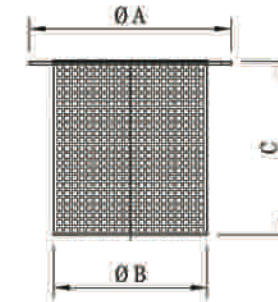
轴、驱动头和电机尺寸

Motor 电机	Axis Line 轴		Drive Dell very Head Unit 驱动扬程机组										Motor 电机		Weight (kg) 重量			
	KW	Size 尺寸	Type 类型	Flange 法兰 DN	Ca	Cb	Cc	Cd	Ce	Cf	Cg	Cq	Cr	Ml	Mp	Axis line 轴	Drive unit 驱动机组	Motor 电机
1.5-2.2	90	LA 3 LA 4	E 0/3 E 0/4	100	220	130	510	265	320	320	18	310	200	315-340	200-250	36	73.5	23-26
3-4	100-112	LA 3 LA 4 LA 5 LA 6	E 1/3 E 1/4 E 1/5 E 1/6	100	220	130	510	265	320	320	18	310	200	315-340	200-250	46	73.5	23-26
5.5-7.5	132	LA 3 LA 4 LA 5 LA 6	E 2/3 E 2/4 E 2/5 E 2/6	100	220	130	510	265	320	320	18	310	200	315-340	200-250	66	73.5	23-26
11-15 18.5	160	LA 3 LA 4 LA 5 LA 6	E 3/3 E 3/4 E 3/5 E 3/6	100	220	130	510	265	320	320	18	310	200	315-340	200-250	85	117.5	34-41
22	180	LA 3 LA 4 LA 5 LA 6	E 4/3 E 4/4 E 4/5 E 4/6	100	220	130	510	265	320	320	18	310	200	315-340	200-250	140	176	34-41
30-37	200	LA 3 LA 4 LA 5 LA 6	E 5/3 E 5/4 E 5/5 E 5/6	100	220	130	510	265	320	320	18	310	200	315-340	200-250	189	300	60-63
45	225	LA 3 LA 4 LA 5 LA 6	E 6/3 E 6/4 E 6/5 E 6/6	100	220	130	510	265	320	320	18	310	200	315-340	200-250	277	302	60-63
35 75-90	280	LA 3 LA 4 LA 5 LA 6	E 7/3 E 7/4 E 7/5 E 7/6	100	220	130	510	265	320	320	18	310	200	315-340	200-250	338	302	60-63
110-132 160-200	315	LA 3 LA 4 LA 5 LA 6	E 8/3 E 8/4 E 8/5 E 8/6	100	220	130	510	265	320	320	18	310	200	315-340	200-250	431	302	60-63
250-280 315	355	LA 3 LA 4 LA 5 LA 6	E 9/3 E 9/4 E 9/5 E 9/6	100	220	130	510	265	320	320	18	310	200	315-340	200-250	530	302	60-63
355	400	LA 3 LA 4 LA 5 LA 6	E 10/3 E 10/4 E 10/5 E 10/6	100	220	130	510	265	320	320	18	310	200	315-340	200-250	644	302	60-63

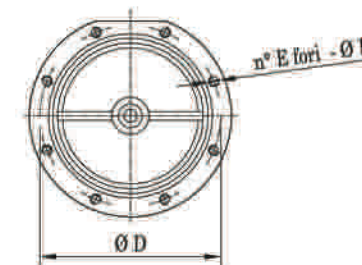
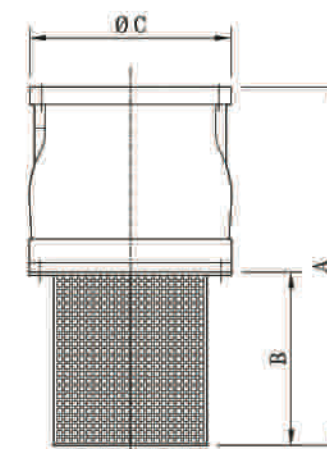
All data in mm 所有数据单位为 mm

Dimensions of the components 部件尺寸

STRAINER 滤网



FOOT VALVE 吸水阀



STRAINER 滤网	FOR PUMP 适用泵	A (mm)	B (mm)	C (mm)	D (mm)	E (in°)	F (mm)	Kg
SU3	VT6A VT6B VT6C VT6D VT6E	142	105	163	126	8	9	0,9
SU4	VT8B VT8C VT8NB VT8NC	170	129	163	154	8	9	1,1
SU5	VT8D VT8E VT8F	190	144	163	170	8	11	1,6
SU6	VT10A VT10B VT10C VT10D VT10RA VT10RB VT10RC	240	161	230	208	6	16	2,8
SU8	VT12A VT12B VT12C	295	235	254	260	8	14	3,7
SU9	VT14A VT14B VT14C	338	270	250	310	12	16	4,2
SU10	VT16A VT16B VT16C	396	315	282	360	12	18	6,5
SU11	VT16D	465	352	282	420	6	18	8
SU12	VT22-400	600	520	480	565	12	22	9,7

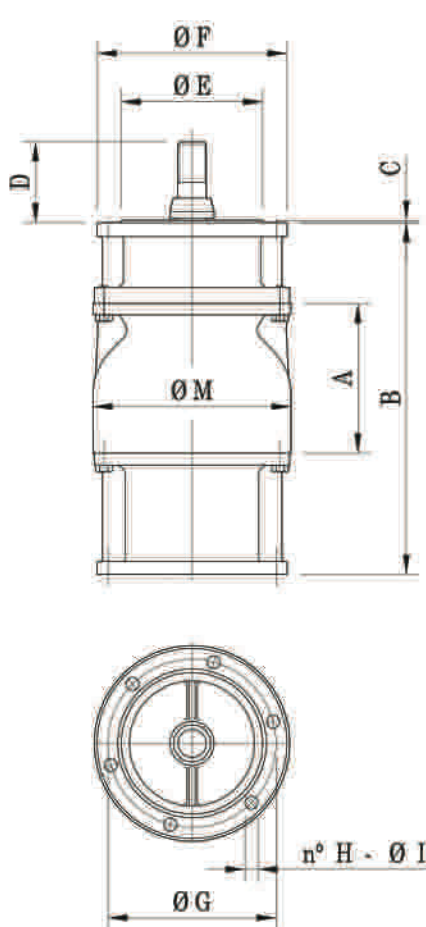
FOOT VALVE 吸水阀	FOR PUMP 适用泵	A (mm)	B (mm)	C (mm)	D (mm)	E (in°)	F	Kg
VF3	VT6A VT6B VT6C VT6D VT6E	293	163	141	126	8	9mm	7,5
VF4	VT8B VT8C VT8NB VT8NC	306	166	169	145	6	11mm	9,4
VF5	VT8D VT8E VT8F	343	169	189	167	6	M12	13
VF6	VT10A VT10B VT10C VT10D VT10RA VT10RB VT10RC	465	245	235	208	6	16mm	22
VF8	VT12A VT12B VT12C	512	254	295	260	8	14mm	42
VF9	VT14A VT14B VT14C	545	250	346	310	12	16mm	60
VF10	VT16A VT16B VT16C	614	282	396	360	12	18mm	82
VF11	VT16D	-	-	-	-	-	-	-
VF12	VT22-400	-	-	-	-	-	-	-

VT
990/1500RPM
3000RPM
COMPONENTS
DIMENSIONS
APPLICATIONS
OTHERS

LONG SHAFT DEEP WELL PUMP

VT SERIES / 长轴深井泵
VT系列

PUMP BODY OVERALL DIMENSIONS AND WEIGHT
泵体总尺寸和重量



TYPE 型号	TYPE AXIS LINE 型号轴径	WELL NOMINAL Ø 井公称直径Ø	A (mm)	B (mm)	C (mm)	D (mm)	E (mm)	F (mm)	G (mm)	H (n°)	I (mm)	M (mm)	Y Kg	Z Kg	
VT6 A	LA 3	6"	92	242	4	100	95	144	120	5	12mm	144	13	5	
VT6 B															
VT6 C															
VT6 D															
VT6 E															
VT8 B	LA 4	8"	130	298	3	100	95	120	5	12mm	187	187	30	13	
VT8 B															
VT8 C															
VT8 D															
VT8 E															
VT8 D	LA 5	8"	150	318	3	100	140	168	6	14mm	190	190	30	13	
VT8 E															
VT8 F															
VT8 RNB	LA 3	8"	65	325	3	100	95	144	120	5	12mm	185	36	5	
VT8 RNC															
VT10 A	LA 5	10"	185	435	3	100	140	235	168	6	14mm	245	52	26	
VT10 B															
VT10 A															
VT10 B															
VT10 C															
VT10 D	LA 6	10"	185	435	3	100	176	235	206	6	16mm	245	52	26	
VT10 C															
VT10 D															
VT10 D	LA 8	10"	185	435	3	100	120	228	235	265	8	18mm	230	83	11
VT10 RA															
VT10 RB	LA 3	10"	78	388	3	100	95	205	120	5	12mm	230	83	11	
VT10 RC															
VT12 A	LA 6	12"	230	530	4	100	176	298	206	6	16mm	295	89	45	
VT12 B															
VT12 C															
VT12 A															
VT12 B															
VT12 C	LA 8	12"	230	530	4	100	120	228	265	8	18mm	295	89	45	
VT12 A															
VT12 B															
VT14 A	LA 6	14"	270	640	4	100	176	298	206	6	16mm	346	143	72	
VT14 A															
VT14 B															
VT14 C															
VT14 B															
VT14 C	LA 10	14"	270	640	4	100	150	282	320	12	18mm	346	143	72	
VT14 B															
VT14 C															
VT16 A	LA 8	16"	310	725	4	150	120	228	355	265	8	18mm	396	198	108
VT16 A															
VT16 B															
VT16 C															
VT16 C															
VT16 D	LA 10	16"	310	725	4	150	282	355	320	12	18mm	396	198	108	
VT16 B															
VT16 C															
VT16 C	LA 12	16"	310	725	4	150	332	355	380	12	22mm	415	215	119	
VT16 D															
VT22-400	LA 12	22'	350	1112	5	150	332	470	380	12	22mm	545	366	195	
LA 14															

B = l s referred to 1 stage pump length
B = 指 1 级水泵长度

Y = Weight for 1 stage pump length
Y = 1 级水泵重量

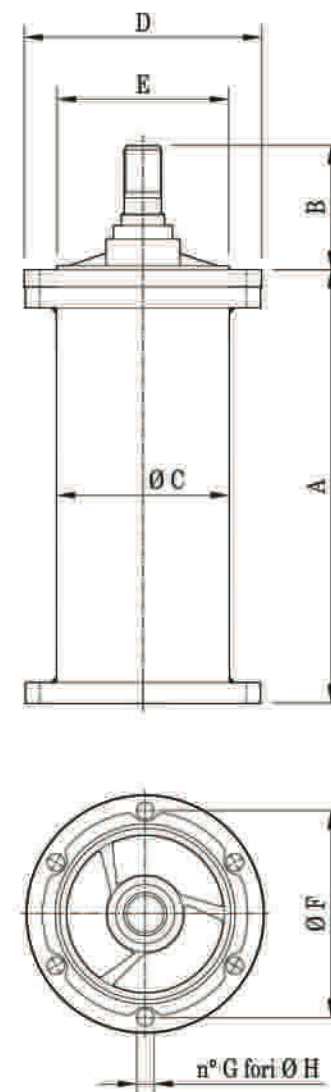
Z = Weight for each stage
Z = 每级水泵重量

Pump weight = Y + [stage n. - 1] · Z
水泵重量 = Y + [级数 - 1] · Z

LONG SHAFT DEEP WELL PUMP

VT SERIES / 长轴深井泵
VT系列

PUMP BODY OVERALL DIMENSIONS AND WEIGHT
轴线总尺寸和重量



型号 TYPE	A (mm)	B (mm)	C (mm)	D (mm)	E (mm)	F (mm)	G (n°)	H (mm)	Kg/1 m
LA 3 / 20	3050	100	89	140	95	120	5	12	11,8
LA 3 / 24									
LA 4 / 20	3050	100	114	166	122	145	6	12	15,1
LA 4 / 24									
LA 4 / 30									
LA 5 / 20	3050	100	140	190	140	168	6	14	21
LA 5 / 24									
LA 5 / 30									
LA 6 / 24	3050	100	168	234	176	206	6	16	27,9
LA 6 / 30									
LA 6 / 35									
LA 8 / 30	3000	120	219	298	228	265	8	18	46,7
LA 8 / 35									
LA 8 / 40									
LA 8 / 45									
LA 10 / 30	3000	150	273	355	282	320	12	18	63
LA 10 / 35									
LA 10 / 40									
LA 10 / 45									
LA 10 / 50									
LA 12 / 35	2500	150	324	420	332	380	12	22	110,8
LA 12 / 40									
LA 12 / 45									
LA 12 / 50									
LA 12 / 60									
LA 12 / 70									
LA 14 / 50	2500	170	355	470	365	425	12	22	146
LA 14 / 60									
LA 14 / 70									
LA 14 / 80									

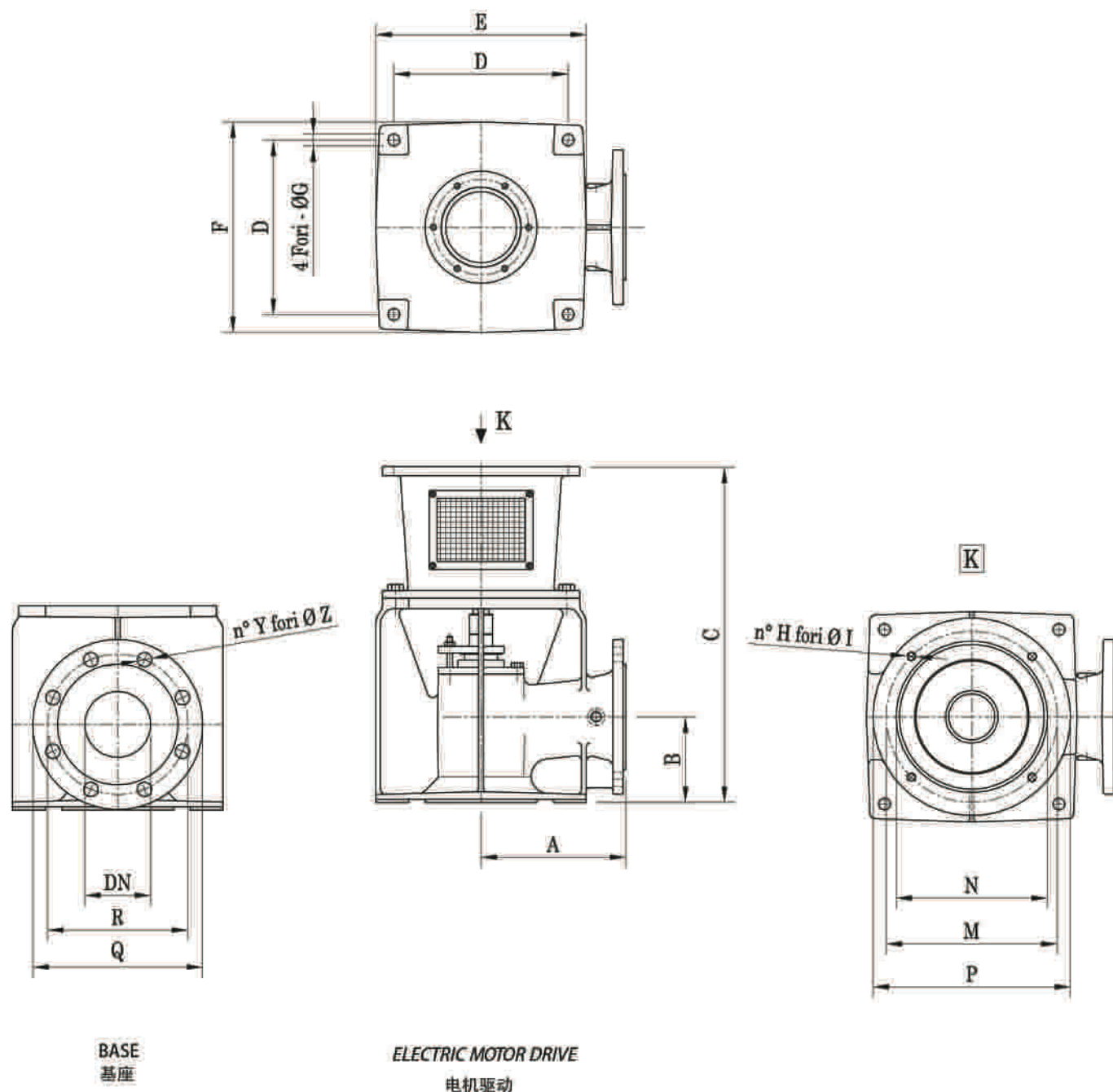
SHAFT WEIGHT 轴重量

ØmmSHAFT Ømm轴	WEIGHT Kg/1 m 重量 Kg/1 m
20	2,5
24	3,5
30	5,5
35	7,5
40	9,8
45	12,4
50	15,3
60	22,1
70	30
80	39,2

LONG SHAFT DEEP WELL PUMP

VT SERIES / 长轴深井泵
VT系列

ELECTRIC MOTOR DRIVE UNIT OVERALL DIMENSIONS
电机驱动机组总尺寸



LONG SHAFT DEEP WELL PUMP

VT SERIES / 长轴深井泵
VT系列

ELECTRIC MOTOR DRIVE UNIT OVERALL DIMENSIONS
AND TOTAL WEIGHT
电机驱动机组总尺寸和总重量

ELECTRIC MOTOR DRIVE 电机驱动	FLANGE DISCHARGE 排放短管 DN	BASE TYPE 底座型号	A (mm)	B (mm)	C (mm)	D (mm)	E (mm)	F (mm)	G (mm)	H (in°)	I	M (mm)	N (mm)	P (mm)	STAINLESS-STEEL TOTAL WEIGHT 不锈钢总重量 kg	CAST IRON TOTAL WEIGHT 铸铁总重量 kg
E 0/3	100	B 4/3	220	130	510	265	320	320	18	4	M10	165	130	250	73,5	68
E 1/3	100	B 4/3	220	130	510	265	320	320	18	4	M12	215	180	250	73,5	68
E 1/4		B 4/4														
E 1/5	150	B 6/5	280	180	620	345	425	415	21	4	M12	265	230	300	117,5	107
E 1/6		B 6/6														
E 2/3	100	B 4/3	220	130	510	265	320	320	18	4	M12	265	230	300	87	81,5
E 2/4		B 4/4														
E 2/5	150	B 6/5	280	180	620	345	425	415	21	4	M12	265	230	300	131	120,5
E 2/6		B 6/6														
E 2/8	200	B 8/8	300	200	675	400	480	470	23						176	160,5
E 3/3	100	B 4/3	220	130	562	265	320	320	18	4	M16	300	250	350	103	97,5
E 3/4		B 4/4														
E 3/5	150	B 6/5	280	180	672	345	425	415	21	4	M16	300	250	350	147	136,5
E 3/6		B 6/6														
E 3/8	200	B 8/8	300	200	727	400	480	470	23						192	176,5
E 3/10	250	B 10/10	400	250	802	550	620	620	30						316	286,5
E 4/3	100	B 4/3	220	130	562	265	320	320	18	4	M16	300	250	350	103	97,5
E 4/4		B 4/4														
E 4/5	150	B 6/5	280	180	672	345	425	415	21	4	M16	300	250	350	147	136,5
E 4/6		B 6/6														
E 4/8	200	B 8/8	300	200	727	400	480	470	23						192	176,5
E 4/10	250	B 10/10	400	250	802	550	620	620	30						316	286,5
E 5/3	100	B 4/3	220	130	610	265	320	320	18	4	M16	350	300	400	125	119,5
E 5/4		B 4/4														
E 5/5	150	B 6/5	280	180	720	345	425	415	21	4	M16	350	300	400	169	158,5
E 5/6		B 6/6														
E 5/8	200	B 8/8	300	200	775	400	480	470	23						214	198,5
E 5/10	250	B 10/10	400	250	850	550	620	620	30						338	308,5
E 6/4	100	B 4/4	220	130	610	265	320	320	18	8	M16	400	350	450	125	119,5
E 6/5		B 6/5														
E 6/6	150	B 6/6	280	180	720	345	425	415	21						169	158,5
E 6/8	200	B 8/8	300	200	775	400	480	470	23						214	198,5
E 6/10	250	B 10/10	400	250	850	550	620	620	30						338	308,5
E 6/12	300	B 12/12	400	290	910	510	600	600	28						384	349,5
E 7/4	100	B 4/4	220	130	642	265	320	320	18	8	M16	500	450	550	174	168,5
E 7/5		B 6/5														
E 7/6	150	B 6/6	280	180	752	345	425	415	21						218	207,5
E 7/8	200	B 8/8	300	200	807	400	480	470	23						263	247,5
E 7/10	250	B 10/10	400	250	882	550	620	620	30						387	357,5
E 7/12	300	B 12/12	400	290	942	510	600	600	28						433	398,5
E 8/6	150	B 6/6	280	180	752	345	425	415	21						238	227,5
E 8/8	200	B 8/8	300	200	807	400	480	470	23						283	267,5
E 8/10	250	B 10/10	400	250	882	550	620	620	30						407	377,5
E 8/12	300	B 12/12	400	290	942	510	600	600	28						453	418,5
E 8/14	400	B 16/14	510	370	1127	650	800	800	37						715	651
E 9/8	200	B 8/8	300	200	1005	400	480	470	23						474	458,5
E 9/12	300	B 12/12	400	290	1140	510	600	600	28						644	609,5
E 9/14	400	B 16/14	510	370	1325	650	800	800	37						906	842
E 10/14	400	B 16/14	510	370	1325	650	800	800	37	8	M24	940	880	1000	1050	986

FLANGE DISCHARGE 排放短管 DN	PN	Q (mm)	R (mm)	Y (mm)	Z (mm)
100	25	235	190	8	22
150	25	300	250	8	26
200	25	360	310	12	26
300	25	485	430	16	30
400	25	620	550	16	36

VT

990/1500RPM

3000RPM

COMPONENTS

DIMENSIONS

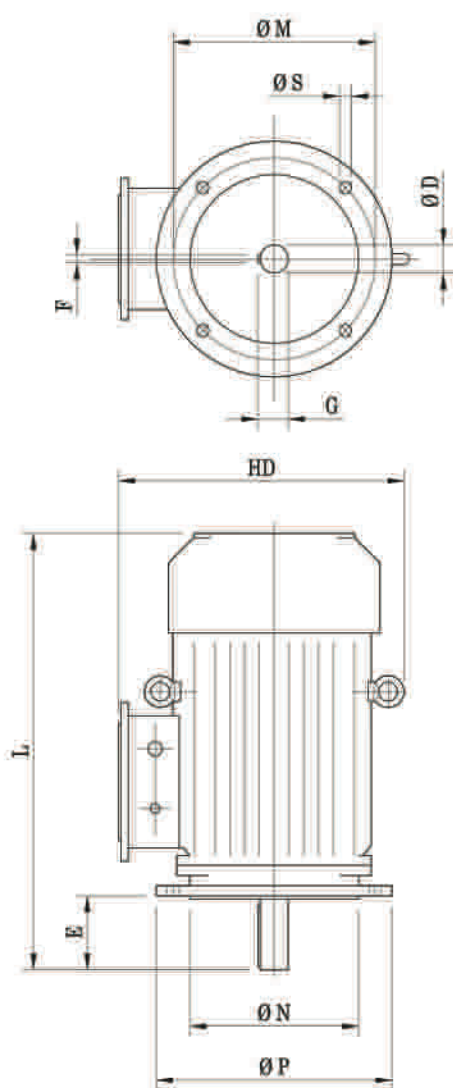
APPLICATIONS

OTHERS

LONG SHAFT DEEP WELL PUMP

VT SERIES / 长轴深井泵
VT系列

ELECTRIC MOTOR OVERALL DIMENSIONS 电机总尺寸



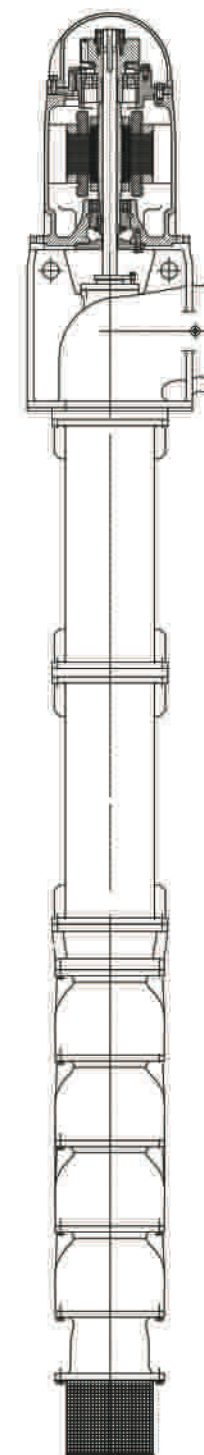
基座型号	POLE 极	DIMENSIONS (mm) 尺寸									
		D	E	F	G	M	N	P	S	HD	L
112M	2...6	28	60	8	24	215	180	250	4-Ø15	305	450
132S	2...6	38	80	10	33	265	230	300	4-Ø15	365	510
132M	4...6	38	80	10	33	265	230	300	4-Ø15	365	550
160M	2...6	42	110	12	37	300	250	350	4-Ø19	445	660
160L	2...6	42	110	12	37	300	250	350	4-Ø19	445	705
180M	2...4	48	110	14	42,5	300	250	350	4-Ø19	480	750
180L	4...6	48	110	14	42,5	300	250	350	4-Ø19	480	790
200L	2...6	55	110	16	49	350	300	400	4-Ø19	530	840
225S	4...6	60	140	18	53	400	350	450	8-Ø19	575	905
225M	2	55	110	16	49	400	350	450	8-Ø19	575	910
	4...6	60	140	18	53	400	350	450	8-Ø19	575	935
250M	2	60	140	18	53	500	450	550	8-Ø19	635	1005
	4...6	65	140	18	53	500	450	550	8-Ø19	635	1005
280S	2	65	140	18	53	500	450	550	8-Ø19	725	1110
	4...6	75	140	20	67,5	500	450	550	8-Ø19	725	1030
280M	2	65	140	18	58	500	450	550	8-Ø19	725	1155
	4...6	75	140	20	67,5	500	450	550	8-Ø19	725	1185
315S	2	65	140	18	58	600	550	660	8-Ø24	865	1340
	4...6	80	170	22	71	600	550	660	8-Ø24	865	1370
315M/L	2	65	140	18	58	600	550	660	8-Ø24	865	1450
	4...6	80	170	22	71	600	550	660	8-Ø24	865	1480
355M/L	2	75	140	20	67,5	740	680	800	8-Ø24	970	1665
	4...6	95	170	25	86	740	680	800	8-Ø24	970	1740
400M/L	2	80	170	22	71	940	880	1000	8-Ø28	1150	2150
	4...6	110	210	28	100	940	880	1000	8-Ø28	1150	2220

LONG SHAFT DEEP WELL PUMP

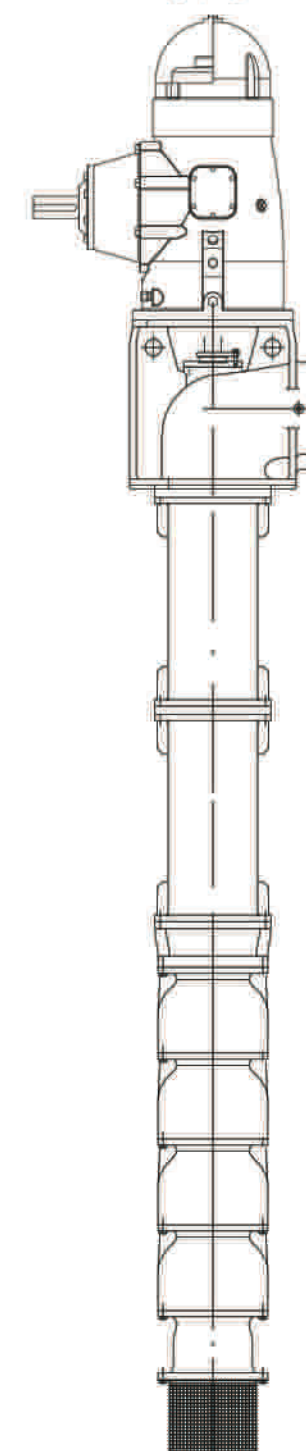
VT SERIES / 长轴深井泵
VT系列

X、APPLICATIONS AND SPECIAL VERSIONS 应用和特殊型号

WITH MOTOR HOLLOW SHAFT
带电机空心轴



WITH ANGLE GEAR
带锥齿轮



- VT
- 990/1500RPM
- 3000RPM
- COMPONENTS
- DIMENSIONS
- APPLICATIONS
- OTHERS

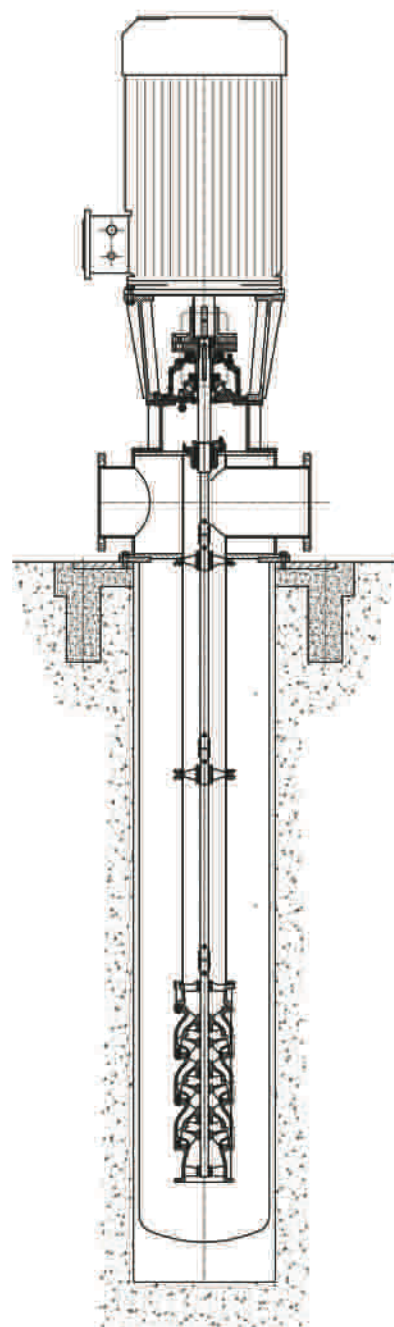
LONG SHAFT DEEP WELL PUMP

VT SERIES / 长轴深井泵
VT系列

X、APPLICATIONS AND SPECIAL VERSIONS 应用和特殊型号

BARREL VERSION

筒型



SPECIAL MATERIALS AVAILABLE

可使用特殊材料

- Bronze 铜
- AISI 316
- Duplex 双相合金
- Super Duplex 超级双相合金
- Ceramic hydraulic parts for abrasive liquid
磨损性液体用搪瓷液力部件

LONG SHAFT DEEP WELL PUMP

VT SERIES / 长轴深井泵
VT系列

XI、TECHNICAL APPENDIX 技术附录

MOMENT OF INERTIA “J” 惯性距 “J”

PUMPTYPE 泵型号	STANDARD IMPELLER 标准叶轮		BRONZE IMPELLER 铜叶轮	
	PUMP 1 STAGE 泵 1 级	FOR EACH ADDITIONAL STAGE 每多一级	PUMP 1 STAGE 泵 1 级	FOR EACH ADDITIONAL STAGE 每多一级
VT6A	0,0008034	0,0007628	0,0009654	0,0009248
VT6B	0,0009436	0,0009029	0,001137	0,001096
VT6C	0,0009619	0,0009212	0,001159	0,001118
VT6D	0,001221	0,001190	0,001460	0,001430
VT6E	0,001385	0,001354	0,001659	0,001628
VT8B	0,005197	0,005047	0,006322	0,006172
VT8C	0,005497	0,005347	0,006622	0,006472
VT8D	0,006020	0,005870	0,007255	0,007105
VT8E	0,006761	0,006611	0,008127	0,007977
VT8F	0,007229	0,007079	0,008660	0,008510
VT10A	0,020750	0,020320	0,025130	0,024690
VT10B	0,019800	0,019360	0,023790	0,023350
VT10C	0,020020	0,019580	0,023930	0,023490
VT10D	0,020250	0,019800	0,024070	0,023630
VT12A	0,039220	0,034150	0,047070	0,040980
VT12B	0,040450	0,035380	0,048540	0,042450
VT14A	0,131700	0,126000	0,158000	0,151200
VT14B	0,132500	0,123800	0,158900	0,152200

In order to keep its products constantly ahead of technical evolutions, the manufacturer has reserved right, without any prior notification, to modify dimensions and characteristics of the products described in this catalogue.

为使产品持续领先技术进步的潮流，制造商保留权利无需事先通知即可对本产品目录中描述的产品尺寸和特征进行更改。

LONG SHAFT DEEP WELL PUMP

VT SERIES / 长轴深井泵
VT系列

PUMPS INSTALLATION DEPTH 泵安装深度

PUMP BODY 泵体	AXIS LINE 轴线	TOTAL MANOMETRIC HEAD IN METERS 总压力头, 单位 m																			
		20	30	40	50	60	70	80	90	100	110	120	130	140	150	160	170	180	190	200	
TYPE 型号	AXIS mm 轴 mm	INSTALLATION DEPTH IN METERS 安装深度, 单位 m																			
VT8B	20	90							80												
	24	100										90		80		70					
	30	120												110		100					
VT8G	20	90							80												
	24	80							70												
	30	120												110		100					
VT8D	20	80							70												
	24	100										90		80							
	30	120												110		100					90
VT8E	20	70					60														
	24	100							90												
	30	90							100					90							
VT8F	20	60																			
	24	90																			
	30	100												90		80		70			
VT10A	24	50																			
	30	80																			
	35	90							80					70							
VT10C	24	50																			
	30	90							80												
	35	100										90		80		70					
VT10D	24	50																			
	30	90							80		70										
	35	100												90		80		70			

LONG SHAFT DEEP WELL PUMP

VT SERIES / 长轴深井泵
VT系列

PUMPS INSTALLATION DEPTH 泵安装深度

PUMP BODY 泵体	AXIS LINE 轴线	TOTAL MANOMETRIC HEAD IN METERS 总压力头, 单位 m																					
		20	30	40	50	60	70	80	90	100	110	120	130	140	150	160	170	180	190	200			
TYPE 型号	AXIS mm 轴 mm	INSTALLATION DEPTH IN METERS 安装深度, 单位 m																					
VT12A	30	70																					
	35	80							70		60												
	40	80										70		60									
VT12B	30	70																					
	35	80							70		60												
	40	80										70		60									
VT14A	35	70					60																
	40	70							60														
	45	80							70		60												
VT14B	35	70					60																
	40	70							60														
	45	80							70		60												
VT14C	35	70					60																
	40	70							60														
	45	80							70		60												
VT16A	40	70					60																
	45	80							70		60												
	50	90							80		70		60										
VT16B	40	70					60																
	45	80							70		60												
	50	90							80		70												
VT16C	40	70					60																
	45	80							70		60												
	50	90							80		70												
VT16D	40	70					60																
	45	80							70		60												
	50	90							80		70												
VT16D	40	70					60																
	45	80							70		60												
	50	90							80		70												
VT16D	40	70					60																
	45	80							70		60												
	50	90							80		70												
VT16D	40	70					60																
	45	80							70		60												
	50	90							80		70												
VT16D	40	70					60																
	45	80							70		60												
	50	90							80		70												

VT

990/1500RPM

3000RPM

COMPONENTS

DIMENSIONS

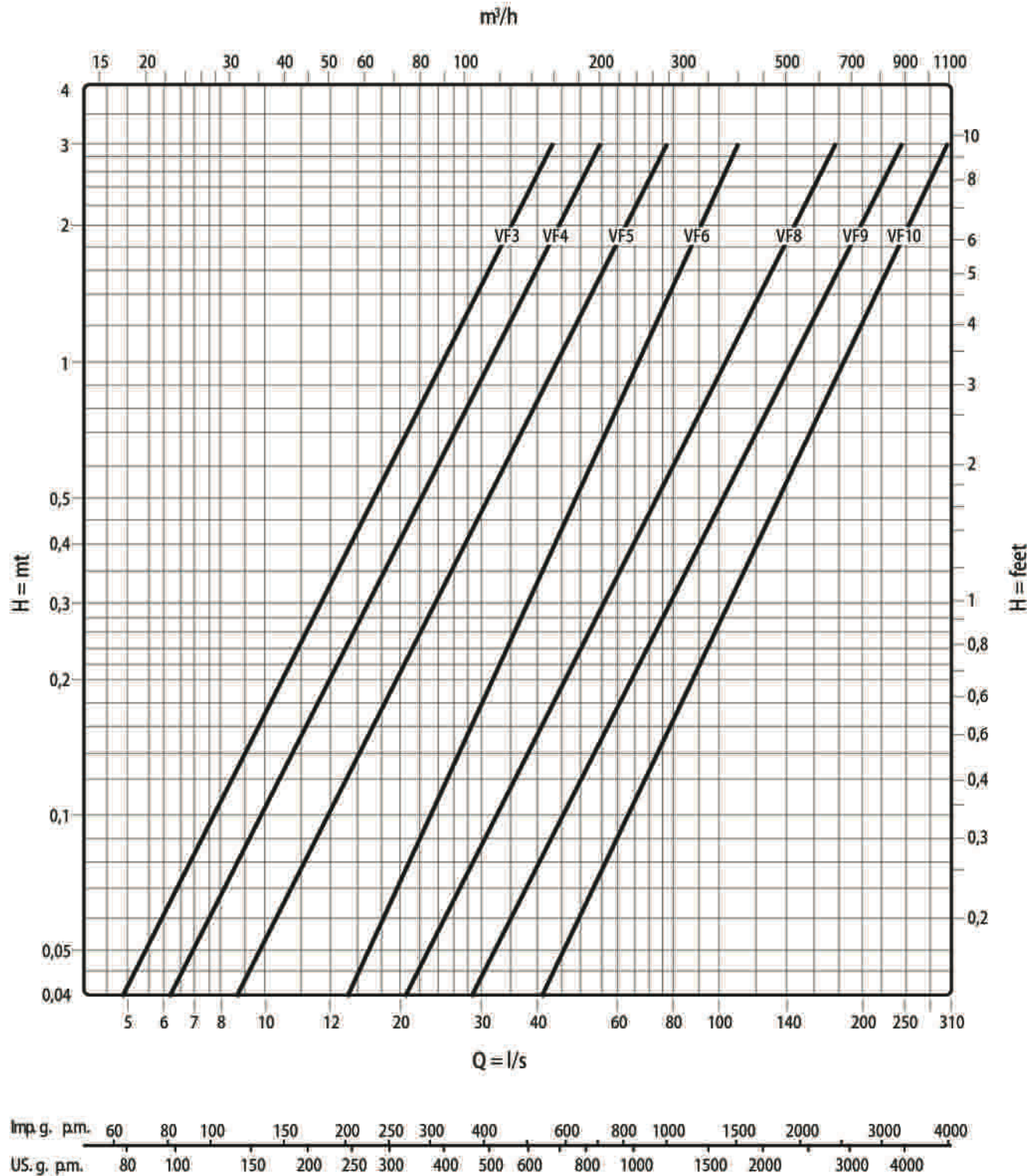
APPLICATIONS

OTHERS

LONG SHAFT DEEP WELL PUMP

VT SERIES / 长轴深井泵
VT系列

FOOT VALVE PRESSURE LOSSES 吸水阀压力损失



LONG SHAFT DEEP WELL PUMP

VT SERIES / 长轴深井泵
VT系列

HEAD LOSSES IN METRES FOR EVERY 100 METRES OF STRAIGHT PIPING 每 100 米直管压力损失, 单位为 m

V	Q	DIAMETER OF THE PIPES IN mm - DIAMETER OF THE PIPES IN mm												
		20	25	30	40	50	65	80	100	125	150	175	200	250
0.5	Q	9.4	14.7	21.2	37.7	59	115	151	235	369	530	723	940	1480
	h	2.4	1.9	1.5	1	0.8	0.56	0.46	0.36	0.28	0.23	0.19	0.16	0.13
0.6	Q	11.3	17.7	25.4	45.3	70.7	138	181	282	442	636	887	1130	1770
	h	3.3	2.6	2.1	1.5	1.12	0.78	0.65	0.5	0.39	0.32	0.27	0.23	0.18
0.7	Q	13.2	20.6	29.7	52.9	82.5	161	211	329	516	742	1010	1315	2070
	h	4.4	3.4	2.7	1.9	1.5	1	0.86	0.67	0.52	0.43	0.36	0.31	0.24
0.8	Q	15.05	23.6	33.9	60.4	94.5	184	241	377	590	848	1155	1505	2360
	h	5.6	4.3	3.4	2.5	1.9	1.3	1.1	0.86	0.67	0.55	0.46	0.4	0.31
0.9	Q	16.95	26.5	38.2	68	106	207	272	423	664	955	1300	1695	2660
	h	6.9	5.3	4.3	3	2.4	1.7	1.4	1.1	0.84	0.69	0.58	0.5	0.39
1	Q	18.8	29.5	42.4	75.5	117.7	230	302	471	737	1060	1445	1880	2950
	h	8.3	6.4	5.1	3.7	2.9	2.1	1.7	1.3	1	0.84	0.71	0.61	0.48
1.1	Q	20.7	32.4	46.6	83	129.5	252	332	518	811	1165	1585	2070	3250
	h	9.9	7.6	6.2	4.4	3.4	2.4	2	1.6	1.2	1	0.85	0.74	0.58
1.2	Q	22.6	35.4	50.9	90.6	141	276	362	565	885	1272	1730	2260	3550
	h	11.7	9	7.2	5.2	4	2.9	2.4	1.9	1.5	1.2	1	0.87	0.69
1.3	Q	24.5	38.3	55	98	153	299	392	612	960	1378	1875	2450	3840
	h	13.5	10.4	8.4	6	4.7	3.3	2.8	2.2	1.71	1.4	1.15	1	0.8
1.4	Q	26.35	41.3	59.3	105.5	165	302	422	660	1032	1473	2020	2635	4140
	h	15.4	11.9	9.6	6.9	5.4	3.8	3.2	2.5	2	1.6	1.3	1.17	0.92
1.5	Q	28.25	44.2	63.6	113	176.5	345	452	707	1106	1590	2165	2825	4430
	h	17.4	13.5	10.9	7.8	6.1	4.4	3.6	2.8	2.25	1.82	1.5	1.34	1.05
1.6	Q	30.1	47.1	67.8	121	188.5	368	483	753	1180	1695	2310	3010	4730
	h	19.6	15.3	12.4	8.9	6.9	4.9	4.1	3.2	2.55	2.05	1.7	1.53	1.18
1.7	Q	32	50.1	72	128	200	392	513	800	1253	1802	2455	3200	5020
	h	21.9	17.2	13.9	10	7.8	5.4	4.6	3.6	2.85	2.3	1.95	1.7	1.33
1.8	Q	33.9	53	76.3	136	212	415	543	848	1327	1905	2600	3390	5320
	h	24.2	19.1	15.4	11.1	8.7	6	5.1	4	3.15	2.6	2.2	1.9	1.48
1.9	Q	35.8	56	80.5	143.5	224	438	573	895	1400	2015	2740	3580	5610
	h	26.8	21	17	12.3	9.6	6.8	5.6	4.4	3.45	2.85	2.45	2.1	1.64
2	Q	37.7	59	84.8	151	235.5	461	603	943	1475	2120	2885	3765	5910
	h	29.6	23	18.6	13.4	10.5	7.5	6.2	4.9	3.8	3.17	2.7	2.33	1.8
2.1	Q	39.5	62	89	158.5	247.5	484	633	990	1548	2225	3030	3955	6200
	h	33.2	25.1	20.4	14.8	11.5	8.2	6.8	5.4	4.2	3.5	2.95	2.55	2
2.2	Q	41.5	64.9	93.2	176	259	507	663	1036	1620	2330	3175	4145	6500
	h	35	27.3	22.3	16.2	12.5	9.1	7.4	5.9	4.6	3.85	3.25	2.8	2.2
2.3	Q	43.3	67.9	97.5	173.5	271	530	694	1082	1695	2440	3320	4330	6800
	h	38	29.7	24.2	17.7	13.6	9.8	8.1	6.4	5	4.15	3.5	3.05	2.4
2.4	Q	45.2	70.8	101.5	181	282.5	553	724	1130	1700	2545	3460	4520	7090
	h	42.1	32.1	26.2	19.1	14.7	10.6	8.8	6.9	5.45	4.55	3.8	3.3	2.62
2.5	Q	47.1	73.7	105.8	189	294.5	576	755	1178	1843	2650	3610	4710	7390
	h	45	34.7	28.3	20.5	16	11.4	9.6	7.5	5.9	4.9	4.1	3.58	2.84
2.6	Q	49	76.6	110	196	306	599	785	1225	1915	2755	3755	4900	7680
	h	48.3	37.3	30.4	22.2	17.2	12.3	10.4	8.1	6.35	5.25	4.4	3.85	3.07
2.7	Q	50.9	79.6	114.3	204	318	622	815	1271	1990	2860	3900	5090	7980
	h	51.7	40	32.5	23.8	18.5	13.2	11.2	8.7	6.85	5.65	4.75	4.15	3.3
2.8	Q	52.7	82.6	118.5	211.5	330	645	845	1320	2060	2970	4040	5280	8270
	h	55.2	42.5	34.8	25.5	19.9	14	12	9.3	7.35	6.05	5.10	4.45	3.56
2.9	Q	54.6	85.5	123	219	342	668	875	1365	2140	3075	4190	5460	8560
	h	58.7	45.1	37.1	27.1	21.3	15.2	12.8	10	7.85	6.45	5.5	4.75	3.82
3	Q	56.5	88.5	127	226.5	354	691	905	1414	2210	3180	4330	5650	8850
	h	62.9	47.9	39.6	28.8	22.6	16.3	13.6	10.7	8.4	6.9	5.9	5.1	4.1

Q = capacity in litre per min 流量, 单位, l/min
 V = water velocity in m/sec 水速, 单位, m/sec
 d = pipe diameter in mm 管直径, 单位, mm
 h = head loss in m of water for every 100 m of straight piping 每100米直管水头损失, 单位, m

Note: above data are relevant to completely smooth and cast-iron piping.

For a general estimation, multiply the head losses data by:

- 0.8 flat-rolled new steel piping
- 1.25 slightly rusty steel piping
- 0.7 piping in aluminium
- 0.65 piping in PVC
- 1.25 piping in concrete fibre

注: 以上数据适用于完全无摩擦铸铁管道。

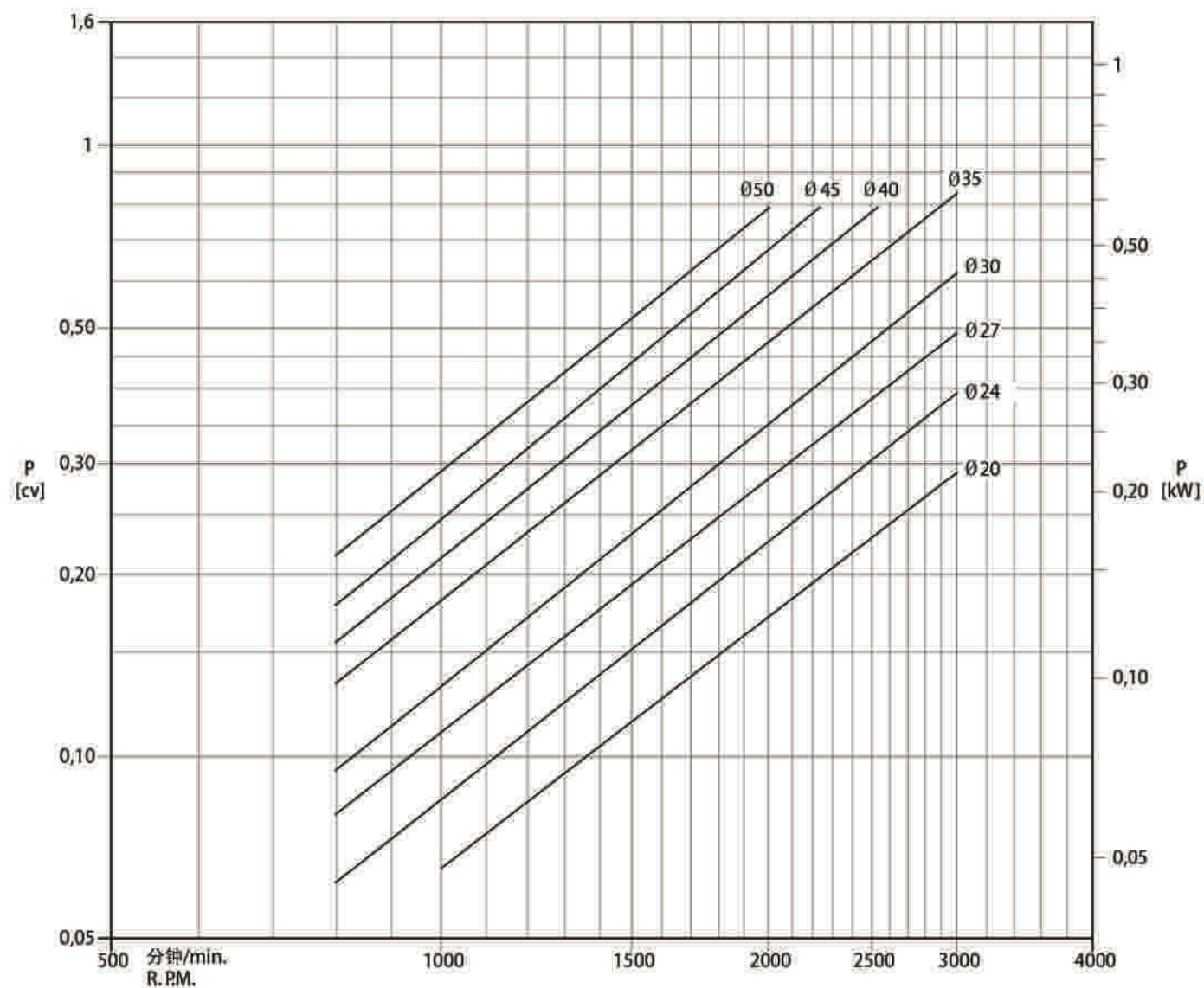
仅用于一般评估, 水头损失乘以:

- 0.8 平轧新钢管
- 1.25 轻度生锈钢管
- 0.7 铝制管
- 0.65 PVC管
- 1.25 混凝土纤维管

LONG SHAFT DEEP WELL PUMP

VT SERIES / 长轴深井泵
VT系列

ABSORBED POWER EVERY 10 METERS OF AXIS LINE
轴线每 10 米吸收功率

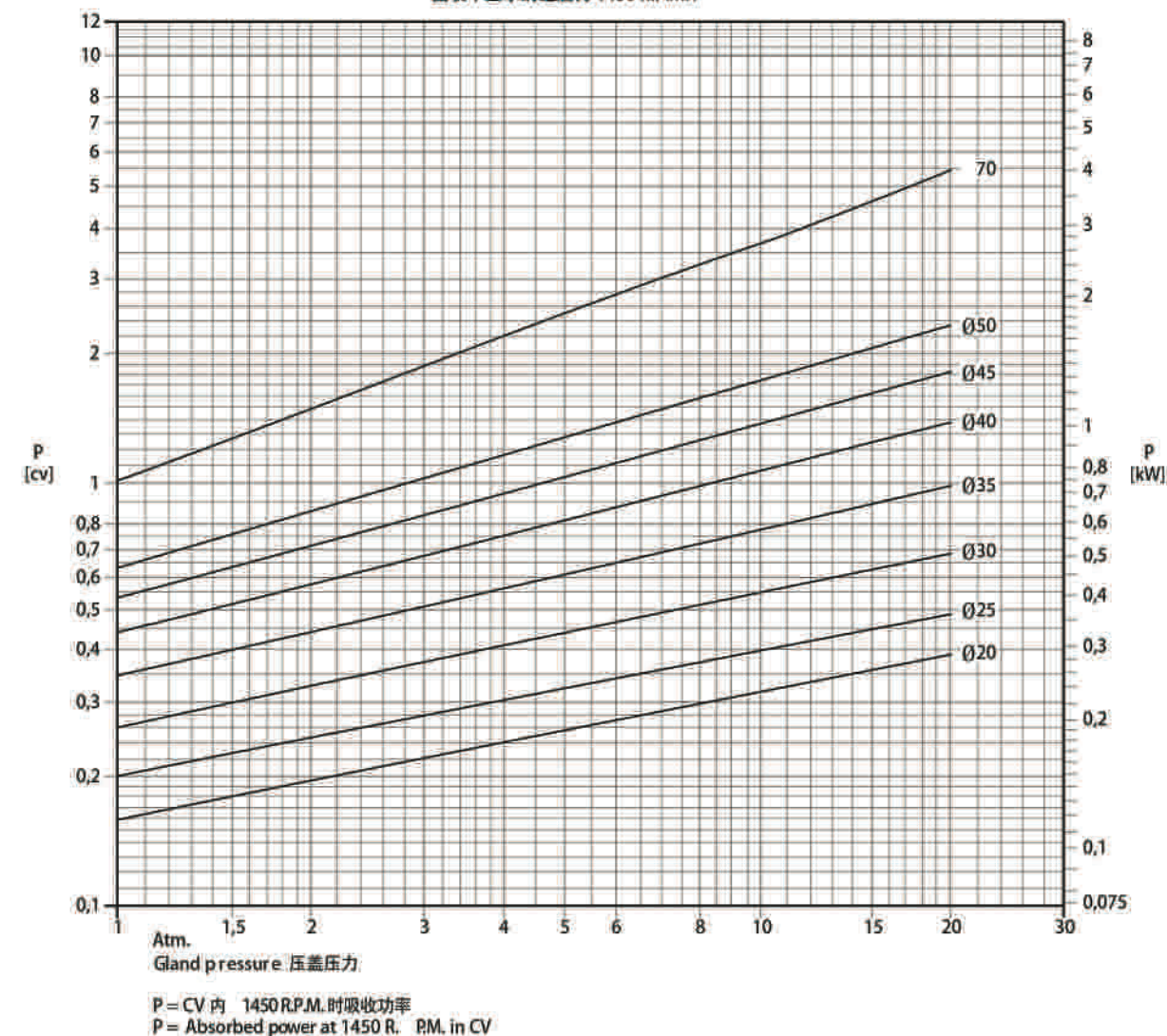


LONG SHAFT DEEP WELL PUMP

VT SERIES / 长轴深井泵
VT系列

POWER ABSORBED BY THE GLAND
压盖吸收的功率

SHOWN IN THE DIAGRAM HAVING A SPEED 1450 R.P.M.
图表中显示的速度为 1450 R.P.M. /



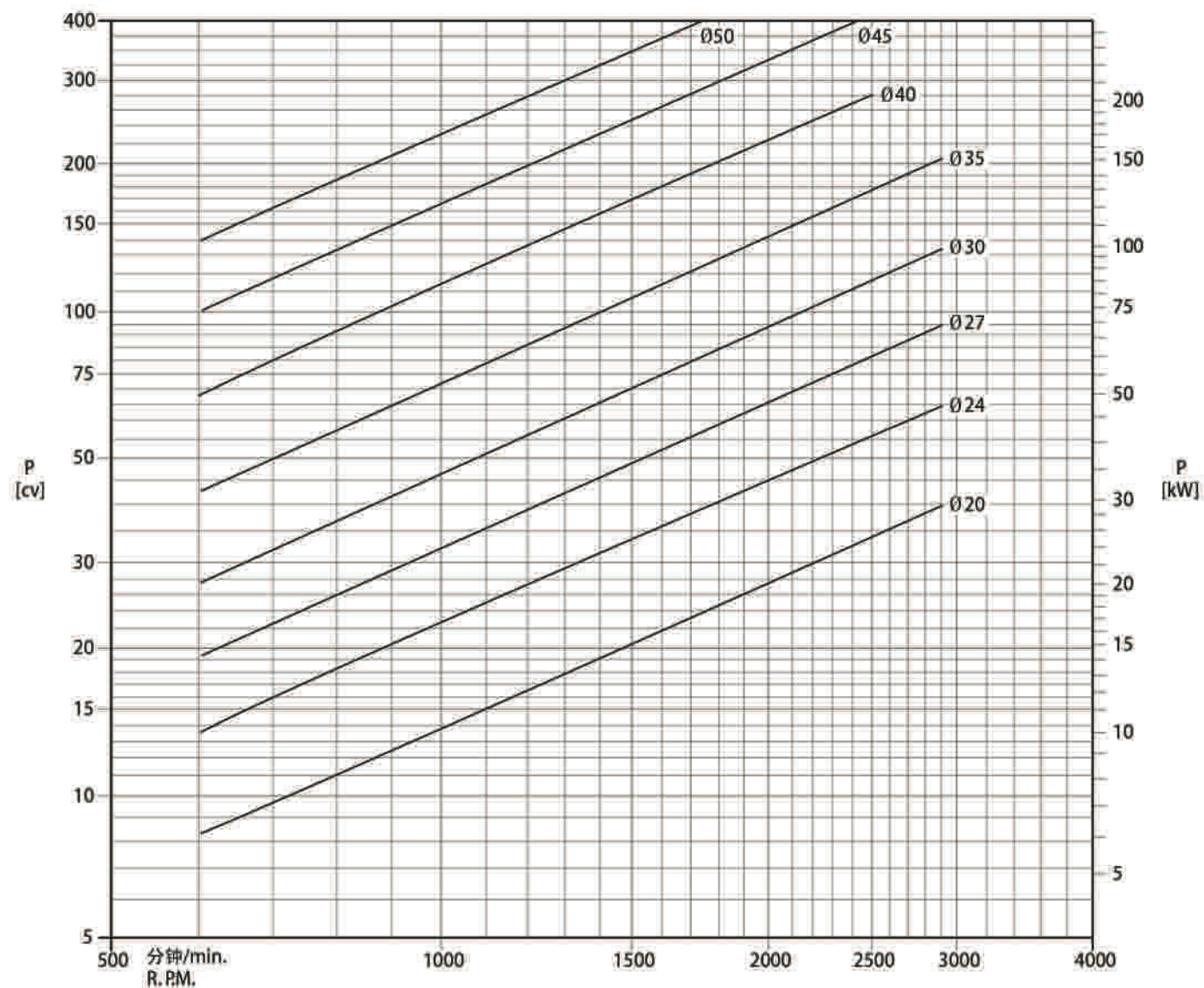
FOR DIFFERENTS R. P.M. (n) THE LOSS (Px) CAN BE CALCULATED WITH: $P_x = \frac{P}{1450} \times n$
对于不同 R.P.M. (n), 损失 (Px) 计算公式:

HEAD BASE 压头基座	压头 - HEADS				
	VE1 OR1 OM1	VE2-VEO2 OR2-OM2 ME2N-ME20	VE3 OR3-OM3 OM35-ME3N	OR4 OM4 ME4	OR5 ME5
ØGLAND Ø压盖					
3"	20	25	30	-	-
4"				35	35
5"	-	-	-		
6"					
8"				50	
10"				40	
12"	-	-	70	-	-

LONG SHAFT DEEP WELL PUMP

VT SERIES / 长轴深井泵
VT系列

AXIS LINE TRANSMISSIBLE POWERS 轴线传输功率



LONG SHAFT DEEP WELL PUMP

VT SERIES / 长轴深井泵
VT系列

Measurement comparison in unit 量度单位比较

	CV	HP	kW	kgm/s
CV		0.9863	0.7355	75
HP	1.0139	1	0.7457	76.05
kW	1.36	1.341		101.98

Pressure 压力

UNIT 单位	COMPARISON 比较
1 kg/cm ² = 9.81 • N/cm ² = 0.981 bar = 98100 Pa	1 Psi = 1 • N/cm ² = 1 Pascal
1 kg/cm ² = 1 at = 10000 kg/m ² = 工程大气压 ≈ 10 m 水柱, 4° C = 735.56 Torr (mm Hg, 0° C) 1 kg/cm ² = 1 at = 10000 kg/m ² = techn. Atmosphere ≈ 10 m water col at 4° C = 735.56 Torr (mm Hg at 0° C)	
1 lb 每平方英寸 = 1 psi = 0.0703 kg/cm ² 1 lb per square inch = 1 psi = 0.0703 kg/cm ²	1 kg/cm ² = 14.2 psi

CAPACITY MEASURES COMPARED AT LITRE 以升为单位的流量比较

UNIT 单位	COMPARISON 比较	UNIT 单位	COMPARISON 比较
(Imperial fluid ounce) 英制液体盎司	0.0284 litre 升	litre 升	35.2 Imp. fl. oz.
(U.S. fluid ounce) 美制液体盎司	0.0295 litre 升	litre 升	33.81 U.S. fl. oz.
(Imperial pint) 英制品脱	0.568 litre 升	litre 升	1.76 Imp. pinto
(U.S. gallon) 美制加仑	3.785 litre 升	litre 升	0.2642 U.S. gal
(Imperial gallon) 英制加仑	4.546 litre 升	litre 升	0.22 Imp. gal.
(U.S. bushel) 美制蒲式耳	35.24 litre 升	litre 升	0.0284 U.S. bu
(Imperial bushel) 英制蒲式耳	36.35 litre 升	litre 升	0.0275 Imp. bu
(U.S. barrel) 美制桶	119.22 litre 升	litre 升	0.0083 U.S. bbl.
(Imperial barrel) 英制桶	163.65 litre 升	litre 升	0.00611 Imp. bbl

VT

990/1500RPM

3000RPM

COMPONENTS

DIMENSIONS

APPLICATIONS

OTHERS

LONG SHAFT DEEP WELL PUMP

VT SERIES / 长轴深井泵
VT系列

NOTICES ON CENTRIFUGAL PUMPS

离心泵的注意事项

Absorbed power calculation Pa
(known):

Q - capacity l/s

H - total head in m

h - efficiency

g - density in Kg/dm³

吸收功率计算 Pa
(已知):

Q - 流量 l/s

H - 总扬程, 单位为 m

h - 效率

g - 密度, 单位为 Kg/dm³

$$Pa = y \times \frac{Q \cdot H}{102 \cdot h} [\text{kW}]$$

Efficiency calculation (known):

Q - capacity l/s

H - total head in m

Pa - absorbed power in kW

g - density in Kg/dm³

效率计算 (已知):

Q - 流量 l/s

H - 总压头, 单位为 m

Pa - 吸收功率, 单位为 kW

g - 密度, 单位为 Kg/dm³

$$h = y \times \frac{Q \cdot H}{102 \cdot Pa} [\text{kW}]$$

Working curves

Between the working curves of a centrifugal pump at different speed, is in force the affinity law, provided that there aren't cavitation effects, and that could be like this:

curves Q-H and Q-Pa at n. rounds are changed in Q' -H' and Q' -Pa' at n' round.

According to:

$$Q' = \left(\frac{n'}{n}\right) \cdot Q \quad H' = \left(\frac{n'}{n}\right)^2 \cdot H \quad Pa' = \left(\frac{n'}{n}\right)^3 \cdot Pa$$

工作曲线

如果无空穴效应, 不同速度的离心泵的工作曲线之间符合相似定律, 可能是这样的:

n 转时曲线 Q-H 和 Q-Pa 变为 n' 转时的 Q' -H' 和 Q' -Pa'。

根据:

LONG SHAFT DEEP WELL PUMP

VT SERIES / 长轴深井泵
VT系列

XII、CASE STORIES 案例故事

The ENEL Turbogas Teodora
Power Station Porto Corsini - Ravenna

意大利国家电力公司拉文纳地区
波尔图科西尼涡轮增压水电站



This is one of the most advanced power station of the big Italian Enel network; in fact the main Energy is produced by the first two Main gas- Turbines, while the steam, released by this first energy cycle, is conveyed to a second couple of Turbines in order to additionally produce electric energy with the recovered steam of the first cycle phase.

This plant has a total power size of 700 MegaWatt, when all the 4 Turbines are working at full capacity. U-flo installed in this power station the Vertical Turbine pumps which feed the Fire-Fighting system.

Being this power station one of the biggest of that family, it need to feed the fire-fighting system with a big flow, this is why the water treated from the U-flo pumps is sea water coming from the near Adriatic sea cannell.

这是意大利国家电力公司最先进的发电站之一; 实际上主要电力是由前两个主气涡轮机产生的, 而通过第一次能量循环释放的蒸汽进入第二组涡轮机内, 利用回收蒸汽产生电能。

该发电站所有 4 个涡轮机同时运转时, 总装机容量为 700 兆瓦。U-flo 安装在该发电站的垂直涡轮泵用于消防系统。

作为该类中最大发电站之一, 可为消防系统提供大流量输送, 这就是为什么 U-flo 泵处理的水是来自附近的亚得里亚海海峡的海水的原因。

VT

990/1500RPM

3000RPM

COMPONENTS

DIMENSIONS

APPLICATIONS

OTHERS

LONG SHAFT DEEP WELL PUMP

VT SERIES / 长轴深井泵
VT系列

The pumps flow is 480m³/h, the produced pressure is 60 m head.

The pump is of the model VT16-A/4, the hydraulic stack is of the size of 16" with 4 stages; the maximum absorbed power is 102 Kw. All the wet parts of the pump is made of casted Stainless Steel AISI 316, while the pumped water is sea water. As said due to the high flow demand the pumps is sucking directly from a sea water channel.

泵流量为 480m³/h, 产生 60m 水头压力。

该泵型号为 VT16-A/4, 液压堆尺寸为 16", 4 级; 最大吸收功率为 102 Kw。

泵的所有浸水部件由不锈钢铸铁 AISI 316 制成, 泵送的水是海水。如上所述, 由于高流量需求, 泵直接从海水渠道中吸水。



Here are shown some key assembling phases of the hydraulic part.

图中所示为液压部件的一些关键组装阶段。



LONG SHAFT DEEP WELL PUMP

VT SERIES / 长轴深井泵
VT系列

In those pictures are shown the transportation and some installation phases in the Teodora Porto Corsini, power station

图片显示的是 Teodora Porto Corsini 电站部分运输和安装阶段



We can appreciate the oil filling phase of the trust bearing chamber, located in the Head Drive of the pumps.

我们可以看到泵的压头驱动中的轴承室的充油阶段。

The pump installed, ready for the first start up hydraulic test. This fire-fighting pump works few hours on weekly basis to satisfy the power station safety tests performing every week.

泵已安装完毕, 准备好首次启动进行液压测试。这个消防泵每周工作几个小时, 足以满足每周的电站安全测试需要。

VT

990/1500RPM

3000RPM

COMPONENTS

DIMENSIONS

APPLICATIONS

OTHERS