

BG.clock



Technical Parameter

技术参数

BG.clock3

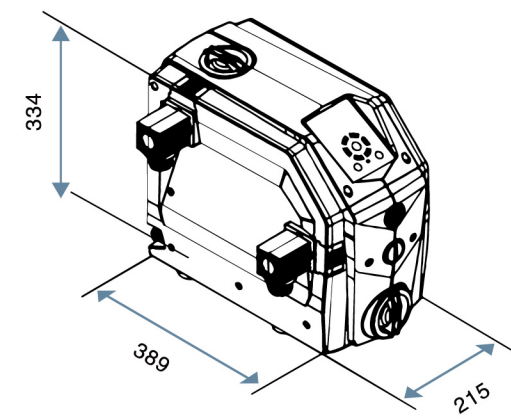
Flow: Up to 5 m³/h
Head: Up to 50 m
Rated power: 0.9 kw

流量Q: 最大 5 m³/h
扬程H: 最大 50 m
额定功率P: 0.9 kw

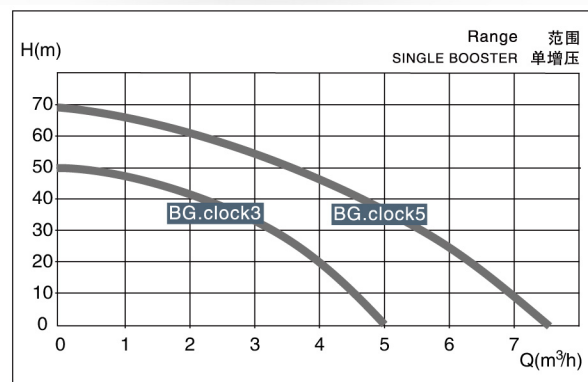
BG.clock5

Flow: Up to 7.5 m³/h
Head: Up to 70 m
Rated power: Up to 1.5 kw

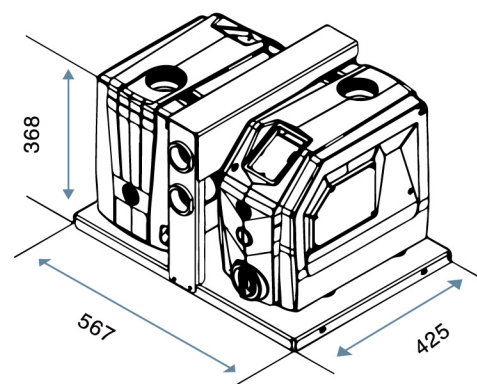
流量Q: 最大 7.5 m³/h
扬程H: 最大 70 m
额定功率P: 最大 1.5 kw



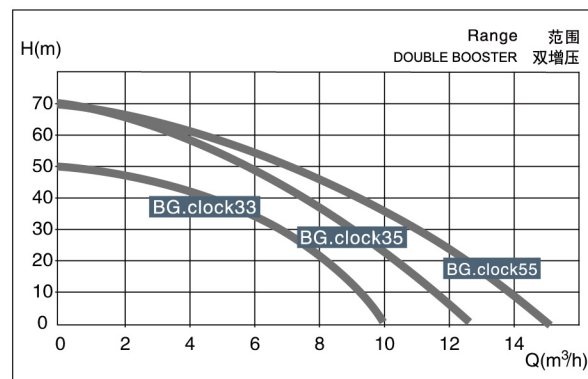
TWO MODELS
两种型号
BG.clock3:0.9kw
BG.clock5:1.5kw



Single BG.clock can run independently to meet users' water demand.
单台BG.clock可独立运行满足用户用水需求。



THREE POSSIBLE COMBINATIONS:
三种组合方式:
BG.clock33
1.8kw(BG.clock3+BG.clock3)
BG.clock35
2.4kw(BG.clock3+BG.clock5)
BG.clock55
3.0kw(BG.clock5+BG.clock5)



Two BG.clock combination runs, can meet more users' water demand.
两台BG.clock组合运行, 可满足更多用户用水需求。



www.u-flo.cn



联系我们

www.u-flo.cn

营销总部 Marketing Headquarters

ADD: 南京市江宁区清水亭西路51号-南京俊杰科创大厦9楼(211102)
Floor No.9, Nanjing Junjie Kechuang Building, No.51 Qingshui Ting West Road, Jiangning District, Nanjing (211102).
TEL: (86) 25-52231105 / 52230907 / 52230921 / 84846376 FAX: (86) 25-52230912

中国工厂 Chinese Factory

ADD: 南京市溧水经济开发区南区罗马工业园18号 (211200)
18# Rome Industry Park, Southern District, Lishui Economic Development Zone, Nanjing
TEL: (86) 25-56610801 / 56610802 / 56610803 / 56610805 / 56610815 FAX: (86) 25-56610806

销售服务热线: 400-100-8486 售后服务热线: 400-108-8170

南京方卓品牌设计 | www.njzad.com

BG.clock



Copyright © 201805 U-flo Pumps

BG.clock Performance Advantages

BG.clock is a small constant pressure frequency conversion water supply equipment specially developed for the secondary water supply industry with a higher degree of integration, more advanced design concepts, and more convenient operation. Optional different models of different combinations to meet the different needs of the water supply, are widely used in pressurized water supply in buildings, the transformation of the old district pressurization.

BG.clock的性能优点

BG.clock 是针对二次供水行业专门开发的一款集成化程度更高, 设计理念更先进, 操作更为方便的小型恒压变频供水设备。可选配不同型号不同的组合形式满足对供水的不同需求, 广泛应用于楼宇建筑增压供水, 老旧小区增压改造等。

U-flo reserves the right to make modifications without notice.
U-flo 有权对产品进行修改, 恕不另行通知。



PERFORMANCE&ADVANTAGE

性能及优点



Small volume, Easy to install
体积小, 便于安装



Highly integrated
高度集成化



Easy to use, Easy to connect
简单易用, 连接方便



Constant pressure
压力恒定



Safe-noise
静音



Flexible installation
安装方式灵活



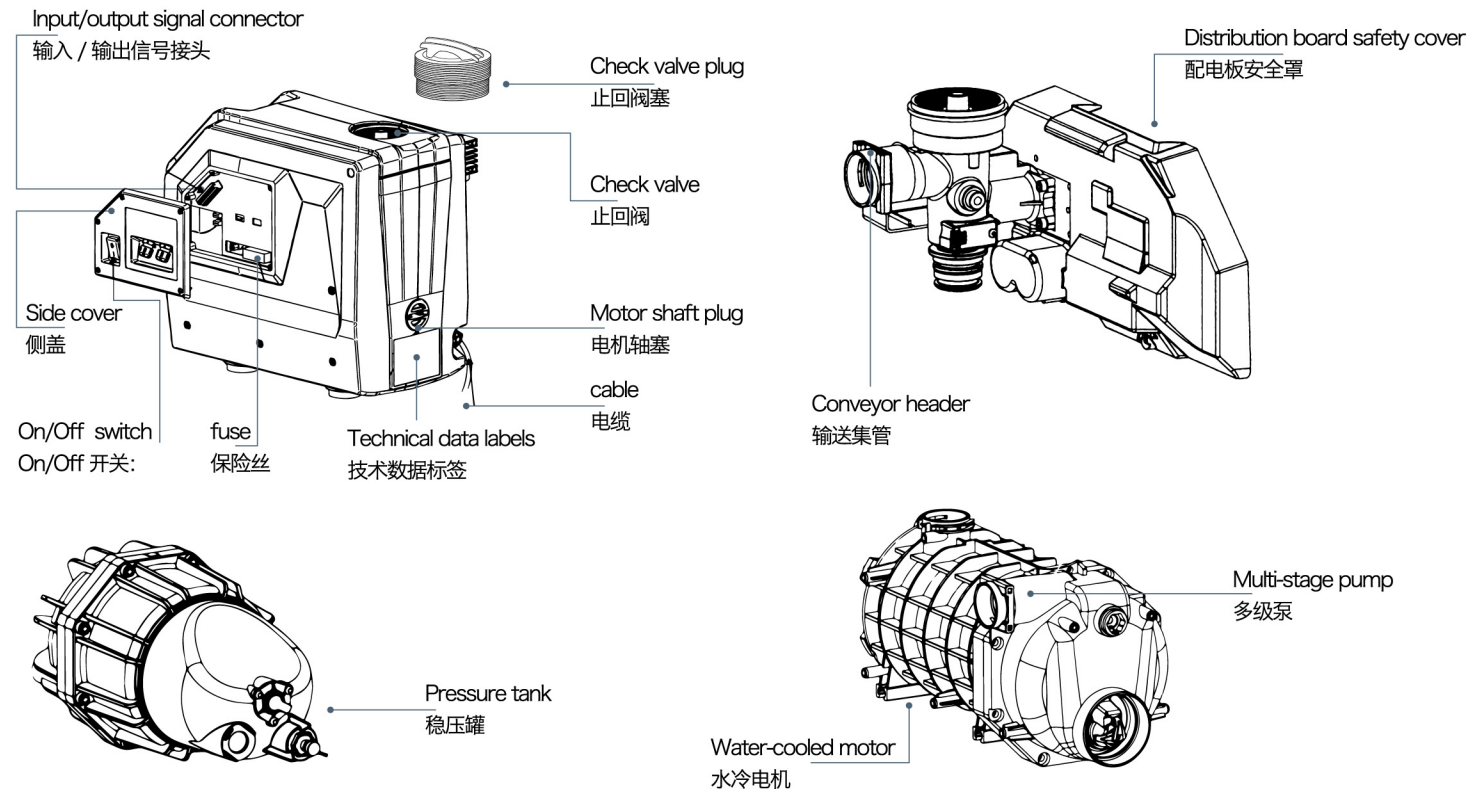
It takes only a 220V voltage.
仅需220V电压。



Energy-saving effect is remarkable
节能效果明显

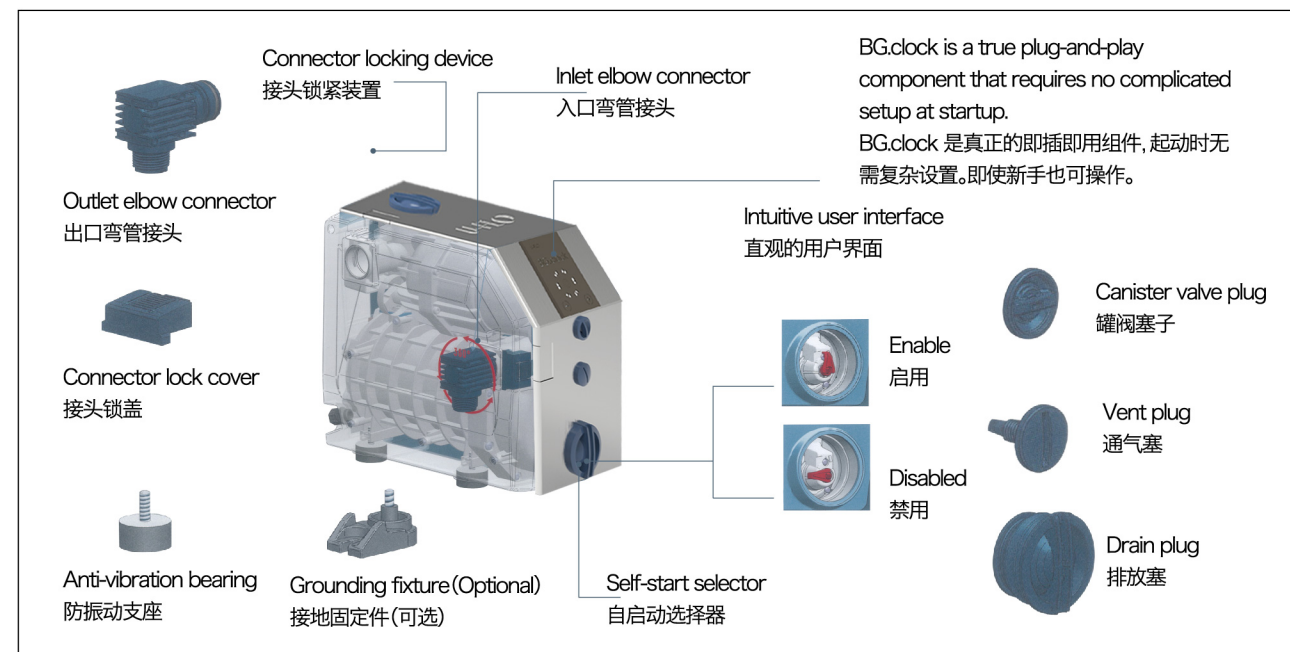
MAIN FUNCTIONS AND COMPONENTS

主要功能和部件



MAIN FUNCTIONS AND COMPONENTS

主要功能和部件



MAIN FUNCTIONS AND COMPONENTS

主要功能和部件

Inlet/outlet connector, orientation adjustment
This simplifies the work of connecting pipes, especially for narrow spaces.
1 inch male thread for quick connection.

Check valve cleaning eas
Unscrew the safety screw, you can pull out the check valve for maintenance, easy to operate.

Anti-vibration adjustable bearing
Standard adjustable anti-vibration bearing. If necessary, grounding fixtures may be provided separately.

Pressure tank quick setting
BG.clock comes with a 1.5 litre pressure tank. The tank design and membrane material ensure that the pressure remains stable for long periods of time without maintenance. After removing the valve plug, the tank valve can be operated to adjust the pressure.

Disabled since startup
90 degree rotation self-start selector to disable self-start function.

Side cover
There is an On/Off switch on the side cover. Remove the side cover to operate the input/output signal connector.

Pump safety injection
If self-start is on, BG.clock must be filled before starting.
Unscrew the vent plug, Open check valve plug.
[No need to remove the check valve] Fill the pump with water. When the water overflows from the vent plug, it indicates that the pump is full of water.

入口/出口接头, 方向任调
可简化管道连接工作, 特别适用于空间狭小处
1 英寸外螺纹件, 可快速连接

止回阀清理便捷
拧下安全螺钉, 便可拔出止回阀进行维护, 操作方便

防振动可调支座
标准可调防振动支座。如需要, 可另行提供接地固定件

压力罐快速设置
BG.clock 配备 1.5 稳压罐。稳压设计和膜材料可确保压力长时间稳定不变, 无需维护。拆下罐阀塞后便可操作罐阀, 调节压力

自启动禁用
90 度旋转自启动选择器, 可禁用自启动功能

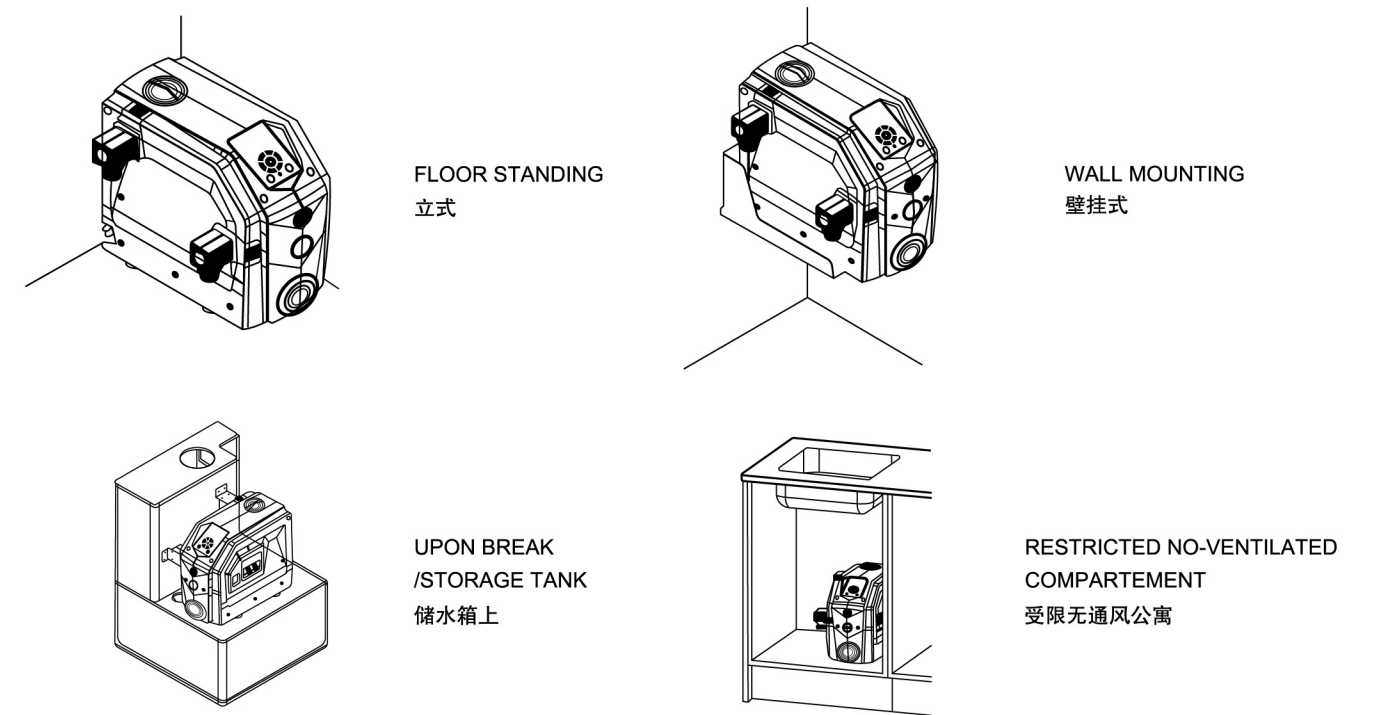
侧盖
侧盖上有 On/Off 开关。拆下侧盖可操作输入/输出信号接头

泵安全注水
如果自启动已开, 启动前 BG.clock 必须注水
拧下通气塞, 打开止回阀塞
[无需拔下止回阀] 向泵内注水。当水从通风塞溢出时, 表明泵已注满水

INSTALLATION SITE

产品系列

Thanks to its compactness and silent water-cooled motor, BG.clock can be installed anywhere.
小巧紧凑, 电机静音水冷, BG.clock 产品安装场所不受限。



OPTIONAL EXTRAS

可选组件

C-LINK: to connect two single-unit or manage input/output signals
W-LINK: for wireless managing of BG.clock

C-连接: 可连接两个独立机组或管理输入/输出信号
W-连接: 适用于BG.clock无线管理

ACCESSORIES

配件

D-KIT: transforms two single-unit in a double-booster
W/1-KIT: for wall installation of a single-booster
W/2-KIT: for wall installation of a double-booster
FIX-KIT: for easy fixing of the single-booster

